



CORDLESS REEL MOWER – TOOL ONLY 24V MAX* | 15-INCH

OPERATOR'S MANUAL

A Division of Snow Joe®, LLC

Model 24V-CRLM15-CT

Form No. SJ-24V-CRLM15-CT-880E-MR1

IMPORTANT! Safety Instructions

All Operators Must Read These Instructions Before Use

Always follow these safety guidelines. Failure to do so may result in serious bodily injury or death.

General Safety WARNINGS!

When using this cordless reel mower, basic safety precautions should always be followed to reduce the risk of fire, electric shock, and personal injury. These precautions include:

⚠️ WARNING! The use of any other accessory or attachment might increase the risk of injury.

⚠️ WARNING! To reduce the risk of injury, inspect the grass collection bag frequently and replace with recommended replacement if there are signs of wear or deterioration.

Before using the reel mower, take the time to familiarize yourself with the controls, especially how to stop the reel mower in an emergency. The only individuals who should use the reel mower are those who have a thorough understanding of the instructions and who know how to operate the machine. Children should never be allowed access to the reel mower.

Retain this manual for future reference and reread it at the start of each mowing season.

- 1. Avoid dangerous conditions** – Do not use the reel mower in the rain or when the grass is damp or wet.
- 2. Keep children, bystanders, and pets away** – Always keep children and spectators a safe distance away from the reel mower during operation and as the machine cools.
- 3. Dress properly** – Always wear personal safety gear (i.e. glasses, rubber gloves, protective footwear, and dust masks) and proper clothing when using the reel mower. Loose clothing, long hair, or jewelry may get caught in the moving parts. Wear a protective covering to contain long hair.
- 4. Use the right appliance** – Do not use the reel mower for any applications other than those for which it was intended.
- 5. Do not force the reel mower** – It will perform better with less likelihood of personal or mechanical injury if it is used at the rate for which it was designed.

- 6. Do not overreach** – Keep proper footing and balance at all times.
- 7. Stay alert** – Always stay alert and watch what you are doing. Use common sense. Do not operate the reel mower when you are tired or under the influence of alcohol or drugs. This reel mower is not designed to be used by people (including children) with limited physical, sensory or mental capacities. It should also not be used by those lacking the proper experience and/or knowledge unless they are supervised by a person who is responsible for their safety or they have received instructions from such a person on how to safely use the equipment.
- 8. Prevent unintentional starting** – Ensure the switch is in the off-position before connecting to battery pack, picking up or carrying the appliance. Carrying the appliance with your finger on the switch or energizing appliance that have the switch on invites accidents.
- 9. Remove the battery** – Disconnect the battery pack from the appliance before making any adjustments, changing accessories, or storing appliance. Such preventive safety measures reduce the risk of starting the appliance accidentally.
- 10. Store idle reel mower indoors** – When not in use, the reel mower should be stored indoors in a dry, locked place out of the reach of children.
- 11. Maintain the reel mower with care** – Keep cutting edges sharp and clean for best and safest performance.
Inspect the reel mower cord periodically and if damage is found have it repaired by an authorized service facility. Keep handles dry, clean, and free from oil and grease.

Electrical Safety

⚠️ WARNING! Read all safety warnings and instructions. Failure to follow the warnings and instructions may result in electric shock, fire and/or serious injury.

1. Recharge only with the charger specified by the manufacturer. A charger that is suitable for one type of battery pack may create a risk of fire when used with another battery pack.
2. Use appliances only with specifically designated battery packs. Use of any other battery packs may create a risk of injury and fire.
3. When the battery pack is not in use, keep it away from other metal objects, like paper clips, coins, keys, nails, screws or other small metal objects, that can make a connection from one terminal to another. Shorting the battery terminals together may cause burns or a fire.

4. Under abusive conditions, liquid may be ejected from the battery; avoid contact. If contact accidentally occurs, flush with water. If liquid contacts eyes, additionally seek medical help. Liquid ejected from the battery may cause irritation or burns.
 5. Do not use a battery pack or appliance that is damaged or modified. Damaged or modified batteries may exhibit unpredictable behavior resulting in fire, explosion or risk of injury.
 6. Do not expose the battery pack or appliance to fire or excessive temperature. Exposure to fire or temperature above 104°F (40.5°C) may cause explosion.
 7. Follow all charging instructions and do not charge the battery pack or appliance outside of the temperature range specified in the instructions. Charging improperly or at temperatures outside of the specified range may damage the battery and increase the risk of fire.
 8. Do not modify or attempt to repair the appliance or the battery pack except as indicated in the instructions for use and care.
- Operate the machine only in daylight or in good artificial light.
 - Do not operate the machine when you are tired or under the influence of alcohol or drugs.
 - Never operate the reel mower in wet grass. Always be sure of your footing; walk, never run, with the reel mower.
 - If the machine should start to vibrate abnormally, stop the engine (motor) and immediately check the machine to ascertain the cause. Vibration is generally a signal of trouble.
 - Keep blades sharp.
 - Keep hands and feet away from the cutting area.
 - Always wear eye protection when operating the machine.
 - Objects struck by the reel mower blade can cause severe injuries. The mowing area should always be carefully examined and cleared of all objects prior to each mowing.
 - If the reel mower strikes a foreign object, follow these steps:
 - i) Stop the reel mower by releasing the ON/OFF switch levers.
 - ii) Remove the battery.
 - iii) Inspect for damage.
 - iv) Repair any damage before restarting and operating the reel mower.

IMPORTANT!

Safety Instructions for Walk-Behind Mowers

General Operation

- Read, understand, and follow all instructions on the machine and in the manual(s) before starting.
- Do not put hands or feet near or under the machine. Always stay clear of the discharge opening.
- Keep guards in place and in proper working order.
- Only responsible adults who are familiar with the instructions should be allowed to operate this machine.
- Clear the mowing area of foreign objects such as rocks, wire, toys, and other miscellaneous articles, which could be picked up and thrown by the blade. Stay behind the handle when the engine (motor) is running.
- Make sure that the mowing area is clear of bystanders before starting the machine. Stop the machine if anyone enters the area.
- Do not operate the machine while barefoot or while wearing sandals. Always wear substantial footwear.
- Always look down and behind before and while moving backward with the reel mower.
- Never direct discharged material toward anyone. Avoid discharging material against a wall or other obstruction.
- Never leave a running machine unattended.
- Stop the engine (motor) and wait until the blade comes to a complete stop before cleaning the machine, removing the grass collection bag, or changing accessories.

Slope Operation

Slopes are major factors related to slip and fall accidents, which can result in severe injury. Operation on all slopes requires extra caution. If you feel uneasy on a slope, do not mow it.

- Mow across the face of slopes; never mow slopes following an up and down traverse. Exercise extreme caution when changing direction on a slope.
- Watch for holes, ruts, bumps, rocks, or other hidden objects. These may cause an unexpected slip or fall.
- Do not mow on wet grass or excessively steep slopes. Poor footing could cause a slip and fall accident.
- Do not mow near drop offs, ditches, or embankments. You could lose your footing or balance.

Children

Tragic accidents can occur if the operator is not alert to the presence of children. Children are often attracted to the machine and the mowing activity. Never assume that children will remain where you last saw them.

- Keep children out of the mowing area and under the watchful care of a responsible adult other than the operator.
- Stay alert and turn the reel mower off if a child enters the area.

- Never let children operate the machine.
- Use extra care when approaching blind corners, shrubs, trees, or other objects that may block your view of a child.

Service

- Stop the machine and disconnect the safety key and the battery before servicing, cleaning, or removing grass from the reel mower.
- Keep all nuts and bolts tight.
- Never tamper with safety devices. Regularly check to ensure these devices are in place and in proper working order.
- Keep the reel mower free from grass, leaves, or other debris buildup.
- Never make any adjustments or repairs with the engine (motor) running. Always remove the battery before adjusting, cleaning, or repairing.
- Check the grass bag components frequently and replace with manufacturer's recommended parts when necessary.
- Mower blades are sharp. Wrap the blade or wear gloves, and use extra caution when servicing them.
- Maintain or replace safety and instruction labels, as necessary.
- If your power tool requires service, contact an authorized Snow Joe® + Sun Joe® dealer or call the Snow Joe® + Sun Joe® customer service center at 1-866-SNOWJOE (1-866-766-9563). Only identical replacement parts should be utilized for repairs. This will ensure that the safety of the power tool is maintained.
- If the battery charger cable is damaged, it must be immediately replaced to avoid a hazard. Contact the Snow Joe® + Sun Joe® customer service center at 1-866-SNOWJOE (1-866-766-9563) for assistance.

Battery & Charger Safety Instructions

NOTE: This unit is tool only. The battery and the charger are not included. They must be purchased separately.

Model 24V-CRLM15-CT is compatible with the iON+ 24V System batteries and chargers. See page 17 for more information.

We pay a great deal of attention to the design of every battery pack to ensure that we supply you with batteries that are safe, durable and have a high energy density. The battery cells have a wide range of safety devices. Each individual cell is initially formatted and its electrical characteristic curves are recorded. This data is then used exclusively to be able to assemble the best possible battery packs.

Despite all the safety precautions, caution must always be exercised when handling batteries. The following points must be obeyed at all times to ensure safe use. Safe use can only be guaranteed if undamaged cells are used. Incorrect handling of the battery pack can cause cell damage.

IMPORTANT! Analyses confirm that incorrect use and poor care of high-performance batteries are the main factors responsible for personal and/or product damage.

⚠️ WARNING! Use only approved replacement batteries; other batteries may damage the cordless reel mower and cause it to malfunction, which can lead to serious personal injury.

⚠️ WARNING! Do not use a battery pack or appliance that is damaged or modified. Damaged or modified batteries may exhibit unpredictable behavior resulting in fire, explosion or risk of injury.

Do not modify or attempt to repair the appliance or the battery pack except as indicated in the instructions for use and care.

Have your battery pack serviced by a qualified repair person using only identical replacement parts. This will ensure that the safety of the battery pack is maintained.


⚠️ CAUTION! To reduce the risk of injury, charge the iON+ 24V lithium-ion battery pack only in its designated iON+ 24V lithium-ion charger. Other types of chargers present risk of fire, personal injury and damage. Do not wire a battery pack to a power supply plug or car cigarette lighter. Such misuse will permanently disable or damage the battery pack.

- **Avoid dangerous environments** – Do not charge the battery pack in rain, snow or in damp or wet locations. Do not use the battery pack or charger in the presence of explosive atmospheres (gaseous fumes, dust or flammable materials) because sparks may be generated when inserting or removing the battery pack, which could lead to a fire.
- **Charge in a well-ventilated area** – Do not block the charger vents. Keep them clear to allow for proper ventilation. Do not allow smoking or open flames near a charging battery pack. Vented gases may explode.

NOTE: The safe temperature range for the battery is 41°F – 105°F (5°C – 40.5°C). Do not charge the battery outside in freezing weather; charge it at room temperature.

- **Maintain charger cord** – When unplugging the charger, pull the plug, not the cord, from the receptacle to reduce the risk of damage to the electrical plug and cord. Never carry the charger by its cord or yank it by the cord to disconnect it from the receptacle. Keep the cord away from heat, oil and sharp edges. Make sure the cord will not be stepped on, tripped over or subjected to damage or stress when the charger is in use. Do not use the charger with a damaged cord or plug. Replace a damaged charger immediately.

- **Do not use an extension cord unless it is absolutely necessary** – Using the wrong, damaged or improperly wired extension cord poses a risk of fire and electric shock. If an extension cord must be used, plug the charger into a properly wired 16 gauge or larger extension cord with the female plug matching the male plug on the charger. Make sure that the extension cord is in good electrical condition.
- **Use only recommended attachments** – Use of an attachment not recommended or sold by the battery charger or battery pack manufacturer may result in risk of fire, electric shock or personal injury.
- **Unplug charger when not in use** – Make sure to disconnect battery pack from unplugged charger.

 **WARNING!** To reduce the risk of electric shock, always unplug the charger before performing any cleaning or maintenance. Do not allow water to flow into the charger. Use a Ground Fault Circuit Interrupter (GFCI) to reduce shock hazards.

- **Do not burn or incinerate the battery pack** – The battery pack may explode, causing personal injury or damage. Toxic fumes and materials are created when battery pack is burned.
- **Do not crush, drop or damage battery pack** – Do not use the battery pack or charger if they have sustained a sharp blow, been dropped, run over or have been damaged in any way (i.e. pierced with a nail, hit with a hammer, stepped on, etc.).
- **Do not disassemble** – Incorrect reassembly may pose a serious risk of electric shock, fire or exposure to toxic battery chemicals. If the battery or charger are damaged, contact an authorized Snow Joe® + Sun Joe® dealer or call the Snow Joe® + Sun Joe® customer service center at 1-866-SNOWJOE (1-866-766-9563) for assistance.
- **Battery chemicals cause serious burns** – Never let a damaged battery pack contact the skin, eyes or mouth. If a damaged battery pack leaks battery chemicals, use rubber or neoprene gloves to safely dispose of it. If skin is exposed to battery fluids, wash the affected area with soap and water and rinse with vinegar. If eyes are exposed to battery chemicals, immediately flush with water for 20 minutes and seek medical attention. Remove and dispose of contaminated clothing.
- **Do not short circuit** – A battery pack will short circuit if a metal object makes a connection between the positive and negative contacts on the battery pack. Do not place a battery pack near anything that may cause a short circuit, such as paper clips, coins, keys, screws, nails and other metallic objects. A short-circuited battery pack poses a risk of fire and severe personal injury.
- **Store your battery pack and charger in a cool, dry place** – Do not store the battery pack or charger where temperatures may exceed 105°F (40.5°C), such as in direct sunlight or inside a vehicle or metal building during the summer.

Information about the battery

1. For optimum battery performance, avoid low discharge cycles by charging the battery pack frequently.
2. Store the battery pack in a cool place, ideally at 77°F (25°C) and charged to at least 40%.
3. Lithium-ion batteries are subject to a natural aging process. The battery pack must be replaced at the latest when its capacity falls to just 80% of its capacity when new. Weakened cells in an aged battery pack are no longer capable of meeting the high power requirements needed for the proper operation of your reel mower, and therefore pose a safety risk.
4. Do not throw battery pack into an open fire as this poses a risk of explosion.
5. Do not ignite the battery pack or expose it to fire.
6. Do not exhaustively discharge the battery. Exhaustive discharge will damage the battery cells. The most common cause of exhaustive discharge is lengthy storage or non-use of partially discharged batteries. Stop working as soon as the performance of the battery falls noticeably or the electronic protection system triggers. Place the battery pack in storage only after they have been fully charged.
7. Protect the battery and the tool from overloads. Overloads will quickly result in overheating and cell damage inside the battery housing even if this overheating is not apparent externally.
8. Avoid damage and shocks. Immediately replace batteries that have been dropped from a height of more than one meter or those that have been exposed to violent shocks, even if the housing of the battery pack appears to be undamaged. The battery cells inside the battery may have suffered serious damage. In such instances, please read the waste disposal information for proper battery disposal.
9. If the battery pack suffers overloading and overheating, the integrated protective cutoff will switch off the equipment for safety reasons.
IMPORTANT! Do not press the ON/OFF switch any more if the protective cut-off has been activated. This may damage to the battery pack.
10. Use only original battery packs. The use of other batteries poses a fire risk and may result in injuries or an explosion.

Information about the charger and the charging process
















1. Please check the data marked on the rating plate of the battery charger. Be sure to connect the battery charger to a power supply with the voltage marked on the rating plate. Never connect it to a different mains voltage.
2. Protect the battery charger and its cord from damage. Keep the charger and its cord away from heat, oil and sharp edges. Have damaged cords repaired without delay by a qualified technician at an authorized Snow Joe® + Sun Joe® dealer or call the Snow Joe® + Sun Joe® customer service center at 1-866-SNOWJOE (1-866-766-9563).
3. Electrical plugs must match the outlet. Never modify the plug in any way. Do not use any adapter plugs with grounded appliances. Unmodified plugs and matching outlets will reduce the risk of electric shock.
4. Keep the battery charger, battery pack and the cordless tool out of the reach of children.
5. During periods of heavy use, the battery pack will become warm. Allow the battery pack to cool to room temperature before connecting it to the charger to recharge.
6. Do not overcharge the battery. Do not exceed the maximum charging times. These charging times only apply to discharged battery. Frequent insertion of a charged or partially charged battery pack will result in overcharging and cell damage. Do not leave the battery in the charger for days on end.
7. Never use or charge the battery if you suspect that it has been more than 12 months since the last time it was charged. There is a high probability that the battery pack has already suffered dangerous damage (exhaustive discharge).
8. Charging the battery at a temperature below 41°F (5°C) will cause chemical damage to the cells and may cause a fire.
9. Do not use battery that have been exposed to heat during the charging process, as the battery cells may have suffered dangerous damage.
10. Do not use batteries that have suffered curvature or deformation during the charging process or those that exhibit other atypical symptoms (gassing, hissing, cracking, etc.).
11. Never fully discharge the battery pack (maximum recommended depth of discharge is 80%). A complete discharge of the battery pack will lead to premature aging of the battery cells.

Protection from environmental influences

1. Wear suitable work clothes. Wear safety goggles.
2. Protect your cordless tool and the battery charger from moisture and rain. Moisture and rain can cause dangerous cell damage.
3. Do not use the cordless tool or the battery charger near vapors and flammable liquids.
4. Use the battery charger and cordless tools only in dry conditions and at an ambient temperature of 41°F – 105°F (5°C – 40.5°C).
5. Do not keep the battery charger in places where the temperature is liable to reach over 105°F (40.5°C). In particular, do not leave the battery charger in a car that is parked in the sunshine.
6. Protect the battery from overheating. Overloads, overcharging and exposure to direct sunlight will result in overheating and cell damage. Never charge or work with battery that have been overheated – replace it immediately, if possible.
7. Store the charger and your cordless tool only in dry locations with an ambient temperature of 41°F – 105°F (5°C – 40.5°C). Store your lithium-ion battery pack in a cool, dry place at a temperature of 77°F (25°C). Protect the battery pack, charger and cordless tool from humidity and direct sunlight. Only place fully charged battery in storage (charged to at least 40%).
8. Prevent the lithium-ion battery pack from freezing. Battery pack that was stored below 32°F (0°C) for more than 60 minutes must be discarded.
9. When handling batteries, be wary of electrostatic charge. Electrostatic discharges can damage the electronic protection system and the battery cells. Avoid electrostatic charging and never touch the battery poles.

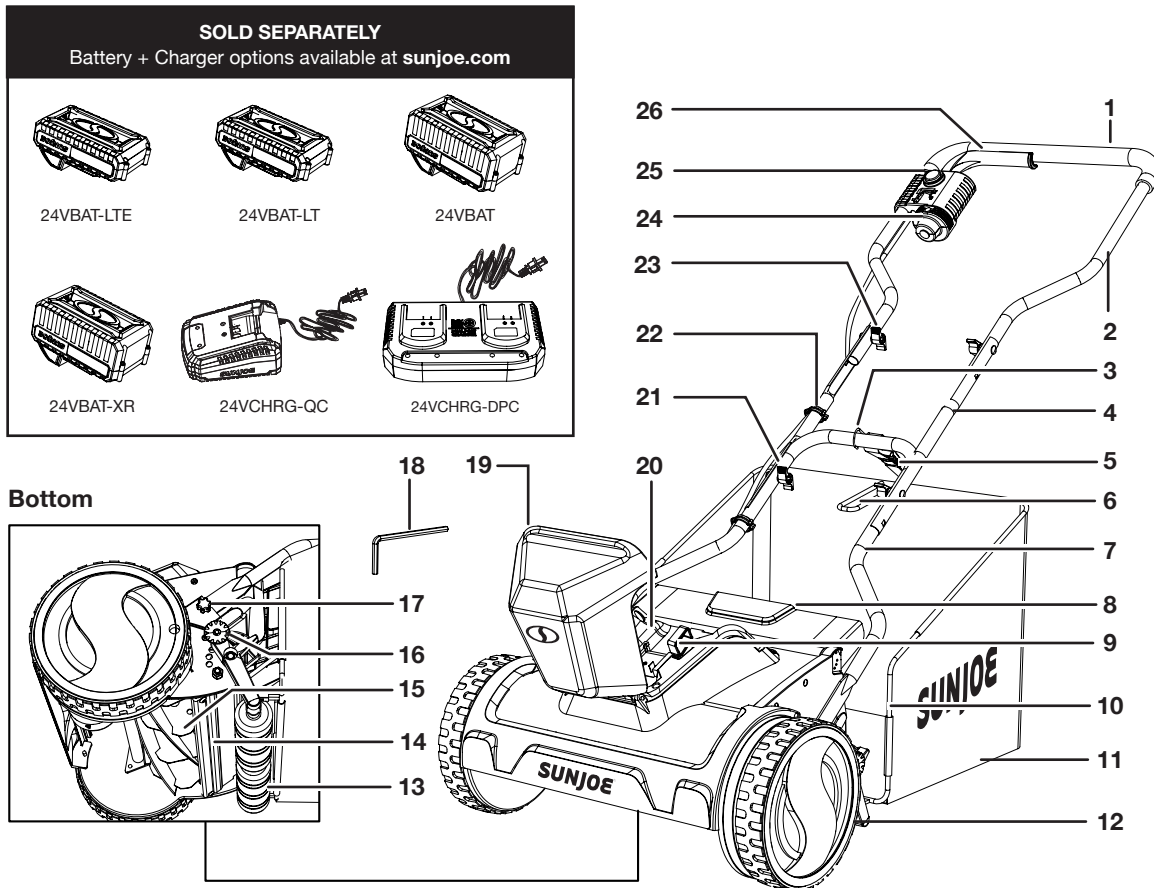
Safety Symbols

The following table depicts and describes safety symbols that may appear on this product. Read, understand, and follow all instructions on the machine before attempting to assemble and operate.

Symbols	Descriptions	Symbols	Descriptions
	DANGER! Rotating blades. Keep hands and feet away.		Keep bystanders and children a safe distance away.
	Safety Alert. Caution. To reduce the risk of injury, user must read instruction manual.		Wear eye and hearing protection. For protection against injury, wear ear defenders and safety goggles.
	WARNING! Do not expose or operate the unit in rain or wet conditions. Keep dry.		Wear protective gloves and non-slip footwear when using the machine and handling debris.
	Slip on slope hazard – Use extra caution when mowing on slopes to prevent slip and fall accidents.		Severing of toes or fingers by rotary mower blade.
	Thrown objects and rotating blade can cause severe injury.		Keep bystanders a safe distance away from the work area.
	Blades continue to rotate after machine is switched off.		WARNING! Always turn the machine OFF and remove the safety key before conducting inspection, cleaning and maintenance.
	Rotating blades, keep hands and feet away from the opening while the machine is running.		Look behind when backing up with the mower.
	Indoor use only. Only use battery charger indoors.		

Know Your Cordless Reel Lawn Mower

Read the owner's manual and safety instructions carefully before operating the reel mower. Compare the illustration below to the reel mower in order to become familiar with the location of the various controls and adjustments. Save this manual for future reference.



- | | | |
|--------------------------------|--------------------------------------|---------------------------------------|
| 1. Soft grip | 10. Grass collection bag support rod | 18. Hex key wrench |
| 2. Upper handle frame | 11. Grass collection bag | 19. Battery compartment cover |
| 3. Strap hook | 12. Wheel (2) | 20. Battery compartment |
| 4. Middle handle bars (2) | 13. Roller bar | 21. Lower handle knob + bolt (2 sets) |
| 5. Locking strap | 14. Cutting bar | 22. Cable clip (2) |
| 6. Grass collection bag handle | 15. Steel cutting blades | 23. Upper handle knob + bolt (2 sets) |
| 7. Lower handle frame | 16. Height adjustment knobs (2) | 24. Switch box |
| 8. Ejector flap | 17. Lower handle knobs (2) | 25. Safety lock button |
| 9. Safety key | | 26. On/Off switch lever |

Technical Data

Motor	360 W
Battery Voltage Max*	24V D.C.
Battery Capacity	See page 17 for battery options and specifications
Battery Runtime Max	See page 17 for battery options and specifications
No Load Speed	1000 rpm
Rotor	5 steel blades
Cutting Width	15 in. (38 cm)
4-Position Cutting Heights	0.6 in. 1.0 in. 1.5 in. 2.0 in. (15 mm 28 mm 39 mm 50 mm)
Grass Collection Bag Capacity	11.9 gal (45 L)
Net Weight	27.6 lbs (12.5 kg)

**Initial no-load voltage, when fully charged, peaks at 24 volts; nominal voltage under typical load is 21.6 volts.*

Unpacking

Carton Contents

- Cordless reel mower body connected with upper handle frame
 - Middle handle bars (2)
 - Lower handle frame
 - Grass collection bag
 - Grass collection bag support rod
 - Handle knob + bolt (4 sets)
 - Lower handle knob (2)
 - Cable clip (2)
 - Safety key
 - Hex key wrench
 - Manual and registration card
1. Carefully remove the reel mower and check to see that all of the above items are supplied.
 2. Inspect the product carefully to make sure no breakage or damage occurred during shipping. If you find damaged or missing parts, DO NOT return the unit to the store. Please call the Snow Joe® + Sun Joe® customer service department at 1-866-SNOWJOE (1-866-766-9563).

NOTE: Do not discard the shipping carton and packaging material until you are ready to use your new cordless reel mower. The packaging is made of recyclable materials. Properly dispose of these materials in accordance with local regulations.

IMPORTANT! The equipment and packaging material are not toys. Do not let children play with plastic bags, foils, or small parts. These items can be swallowed and pose a suffocation risk!

Battery Pack Operation

The equipment is powered by a lithium-ion battery. The battery pack is completely sealed and maintenance free.

TOOL ONLY





BATTERY + CHARGER SOLD SEPARATELY

In order to operate this cordless reel mower you will need a iON+ 24V System battery and charger. See page 17 for battery and charger options and specifications, or for more information visit sunjoe.com.

Battery Charge Level Indicator

The battery pack is equipped with a push button for checking the charge level. Simply press the push button to read off the battery charge level from the LEDs of the battery indicator:

- All 3 level monitoring LEDs are lit: Battery charge level is high.
- 2 level monitoring LEDs are lit: Battery charge level is decreasing. Stop work as soon as possible.
- 1 level monitoring LED is lit: Battery is flat. Stop work IMMEDIATELY and charge the battery. Otherwise the battery's service life will be greatly shortened.

Lights	Light Indicators
	Charge level button
	The battery is at 30% capacity and requires charging
	The battery is at 60% capacity and requires charging soon
	The battery is at full capacity

NOTE: If the charge level button does not appear to be working, insert the charger and charge as needed.

NOTE: Immediately after using the battery pack, the charge level button may display a lower charge than it will if checked a few minutes later. The battery cells “recover” some of their charge after resting.

Charger Operation

⚠ WARNING! Charge only Sun Joe® 24V lithium-ion battery pack with its compatible Sun Joe® 24V lithium-ion charger. Other types of batteries may cause personal injury and damage.

To reduce the risk of electric shock, do not allow water to flow into the charger's AC/DC plug.

TOOL ONLY
BATTERY + CHARGER SOLD SEPARATELY

In order to operate this cordless reel mower you will need a iON+ 24V System battery and charger. See page 17 for battery and charger options and specifications, or for more information visit sunjoe.com.

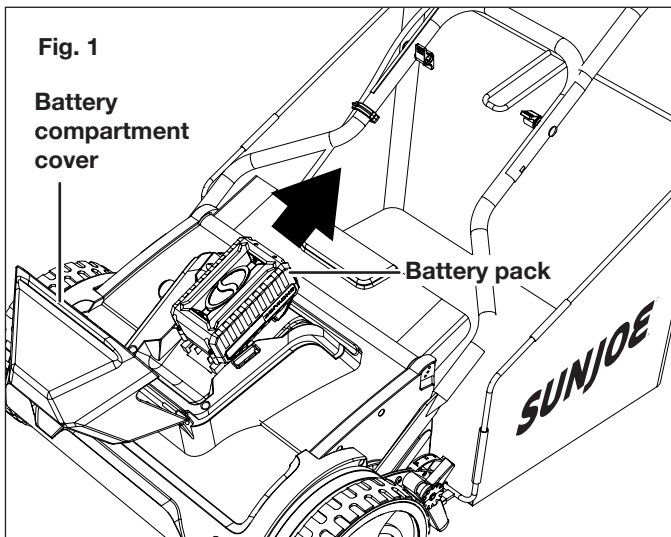
When to Charge the iON+ 24V Lithium-ion Battery

NOTE: The iON+ 24V lithium-ion battery pack does not develop a "memory" when charged after only a partial discharge. Therefore, it is not necessary to run down the battery pack before inserting the charger plug.

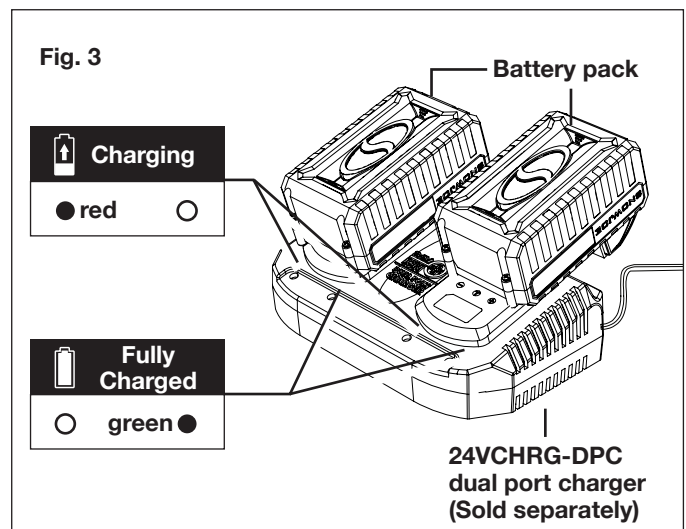
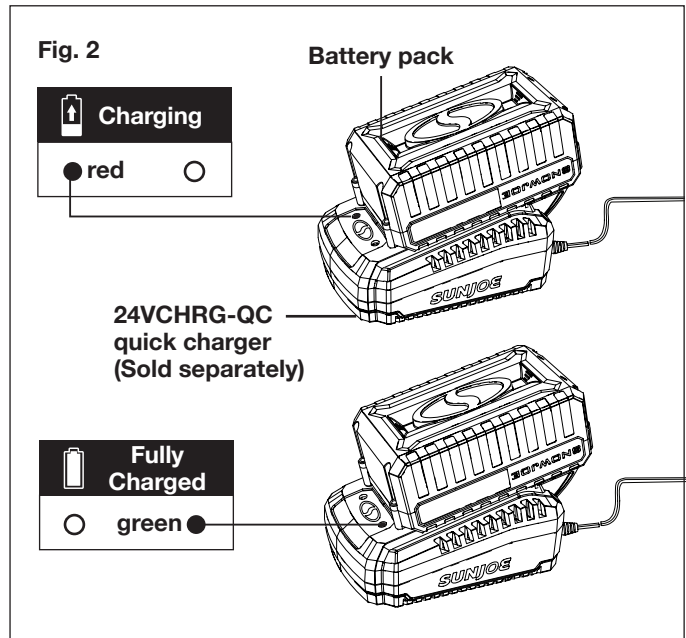
- Use the battery indicator lights to determine when to charge your iON+ 24V lithium-ion battery pack.
- You can "top-off" your battery pack's charge before starting a big job or after a long day of use.

Charging the Battery

1. Open the battery compartment cover, and push the push lock buttons on the battery to pull the battery pack out from the battery compartment (Fig. 1).



2. Depending on your Snow Joe® + Sun Joe® charger model, how to recharge your lithium-ion battery will vary. You may either insert your 24-volt battery into the 24VCHRG-QC Quick Charger (sold separately) or the 24VCHRG-DPC Dual Port Charger (sold separately) (Figs. 2 – 3).



3. The battery indicator LEDs will illuminate one by one during the charging process. Unplug the charger immediately when the 3 LEDs are all illuminated.
4. The 24VCHRG-QC Quick Charger (sold separately) and the 24VCHRG-DPC Dual Port Charger (sold separately) are also equipped with additional charging indicating lights which will indicate the charging status (Figs. 2 – 3).

⚠ CAUTION! FIRE HAZARD. When disconnecting the charger from the battery, be sure to unplug the charger from the outlet first, then disconnect the charger from the battery.

⚠ WARNING! This charger does not automatically turn off when the battery is fully charged. Please take care not to leave the battery plugged into the charger. Switch off or unplug the charger at the mains when charging is complete.

5. Timely recharging of the battery will help prolong the battery's life. You must recharge the battery pack when you notice a drop in the equipment's power.

IMPORTANT! Never allow the battery pack to become fully discharged as this will cause irreversible damage to the battery.

6. When charging is complete, remove the battery from the charger by pulling the push lock buttons and sliding the battery backward to unlock it from the charger.

Assembly

⚠ WARNING! Do not insert the battery and the safety key until assembly is complete. Failure to comply could result in accidental starting and serious personal injury.

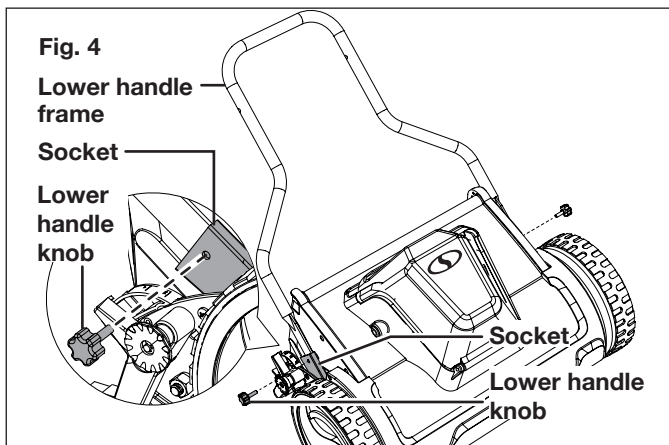
⚠ WARNING! Before performing any maintenance, make sure the battery and the safety key are removed from the unit. Failure to heed this warning could result in serious personal injury.

⚠ WARNING! The product must be fully assembled before operation. Do not use a product that is only partially assembled or assembled with damaged parts.

NOTE: Before using the reel mower, follow these instructions to assemble the appliance.

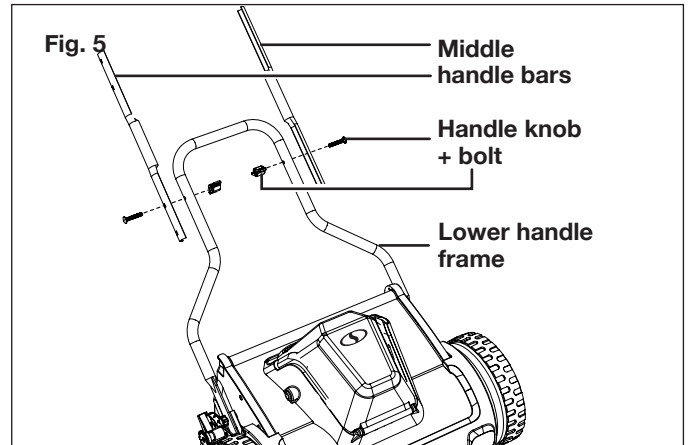
Handle Assembly

1. Insert the ends of the lower handle frame into the sockets on both side of the mower base. Lock with the lower handle knobs provided (Fig. 4).

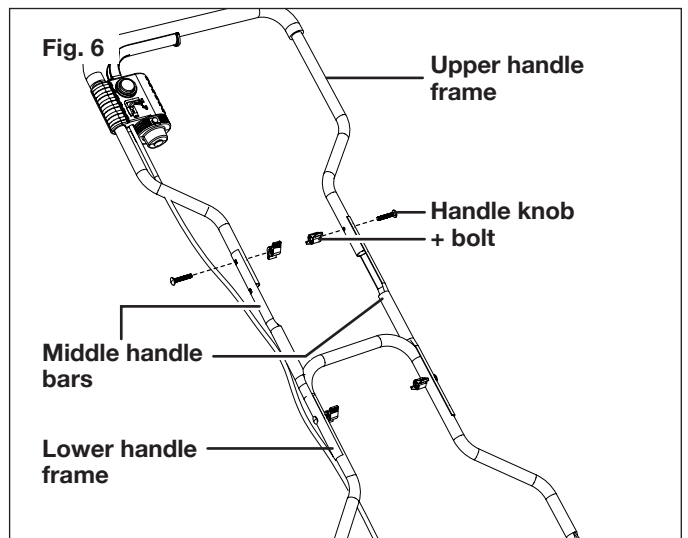


2. Fit the middle handle bars on both sides of the lower handle frame, aligning the holes. Secure with two sets of handle knobs and bolts (Fig. 5).

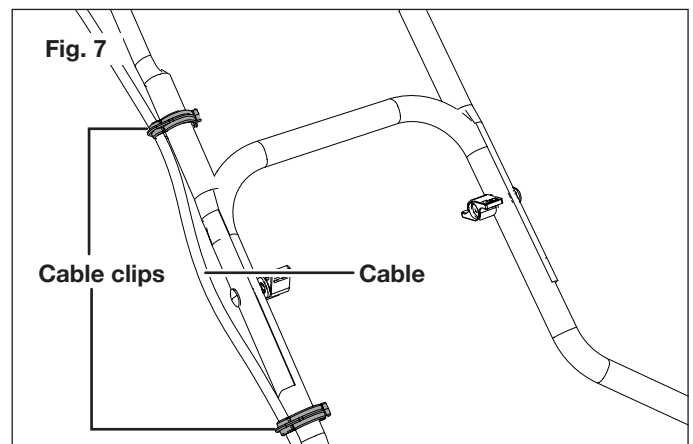
NOTE: Each middle handle bar has 2 holes on the top and the bottom. Adjust the handle assembly to the optimal position by aligning with the hole at the desired height.



3. Fit the upper handle frame on both the middle handle bars, as shown, aligning the holes. Secure with the remaining two sets of handle knob and bolt (Fig. 6).



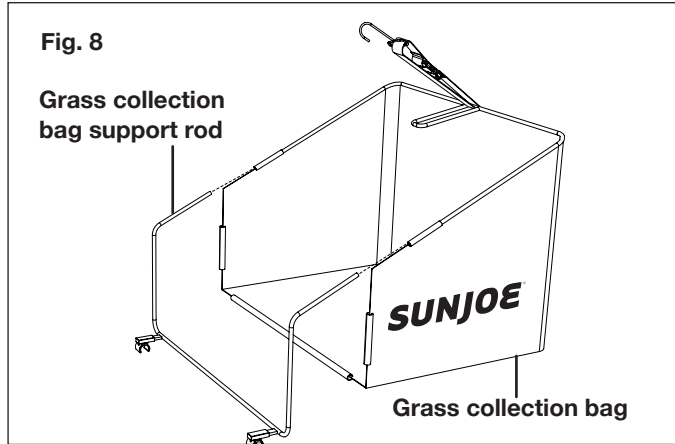
4. Secure the cable with the two cable clips, as shown (Fig. 7)



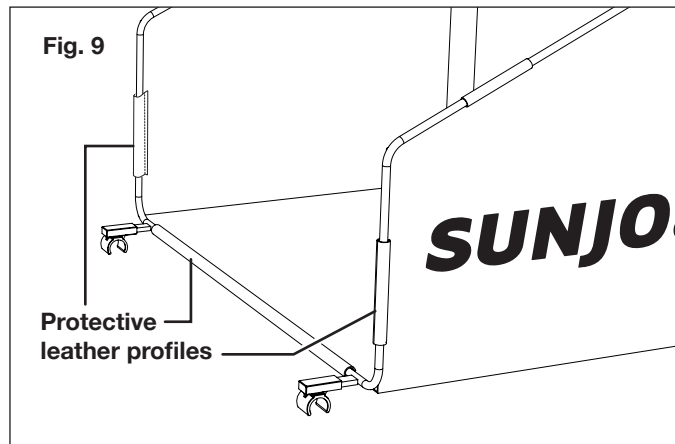
Grass Collection Bag Assembly + Fitting

The grass collecting bag prevents grass clippings being thrown across your lawn as you mow.

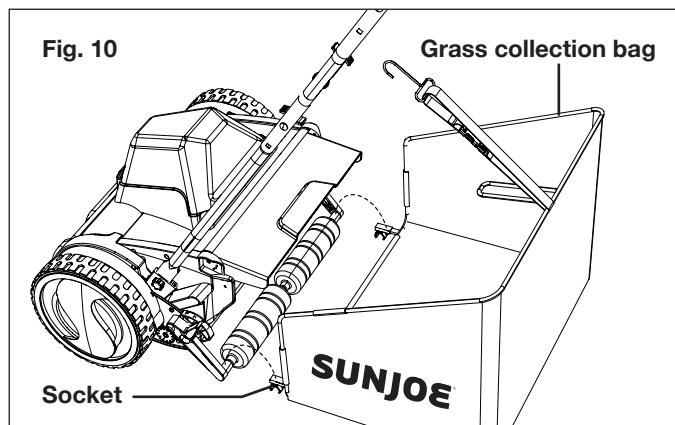
1. Fit the grass collection bag support rod into the tube of the grass collection bag (Fig. 8)



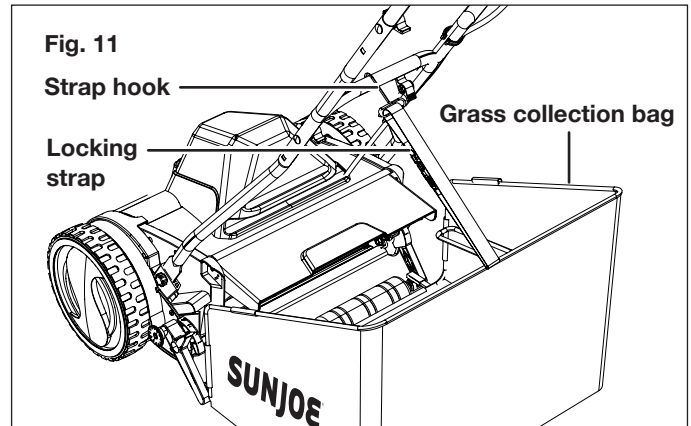
2. Clip the protective leather profiles onto the support rod to secure the assembly (Fig. 9).



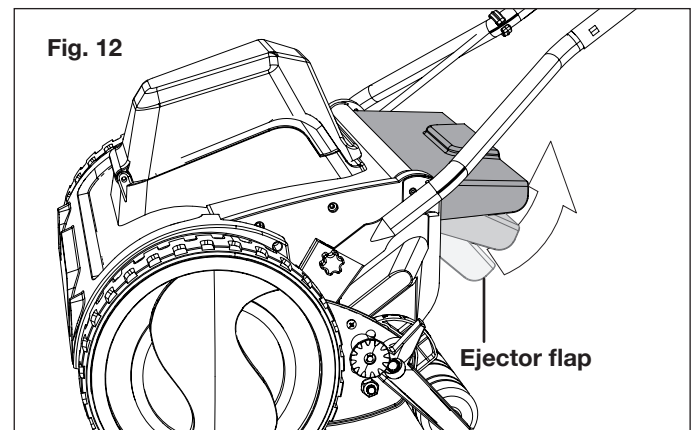
3. Lift the ejector flap to the highest position, and assemble the grass collection bag onto the mower by hooking the sockets to both ends of the roller bar shaft (Fig. 10).



4. Hook the strap hook of the grass collection bag on the center bar on the lower handle frame (Fig. 11). Adjust the strap to an appropriate height so that the grass collection bag does not rub against the ground while mowing or transporting the unit.



5. The mower can be used without the grass collection bag. When the grass collection bag is not attached, adjust the ejector flap to a suitable position to shield flying grass clippings (Fig. 12).



Operation

This reel mower is intended for private residential use to cut grass in small lawns and gardens. This reel mower is not intended to cut grass in public parks, playing fields, farms, or forests. Do not use this reel mower for any application other than that for which it is intended.

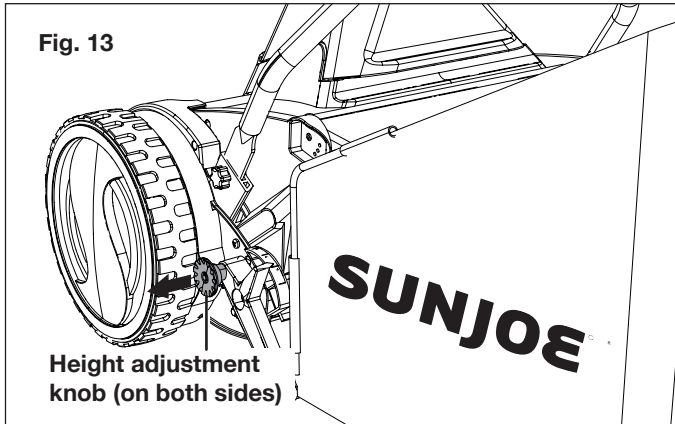
Adjusting the Cutting Height

This cordless reel mower is equipped with a 4-position height adjustment system to tailor grass cutting heights from 0.6 inch to 2.0 inch. To change the cutting height of the grass, follow the instructions below.

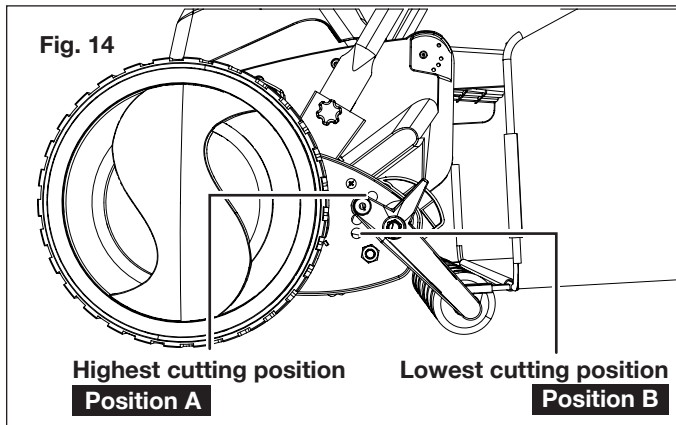
⚠️ WARNING! Before making these adjustments, remove the battery and the safety key from the lawn mower and wait until the rotating blades have come to a complete standstill.

ALWAYS FOLLOW ALL SAFETY PRECAUTIONS AND RECOMMENDATIONS LISTED PREVIOUSLY IN THIS MANUAL.

1. Power off the reel mower and remove the battery and the safety key.
2. To adjust the cutting height, pull out the height adjustment knobs on both sides of the reel mower frame and insert the knobs to the desired setting (Fig. 13).



3. To adjust the reel to the highest cutting position, place the adjustment knobs through the top hole (position A) located on the sides of the reel mower frame. To adjust the reel to the lowest cutting position, place the adjustment knobs through the bottom hole (position B) located on the sides of the frame (Fig. 14).

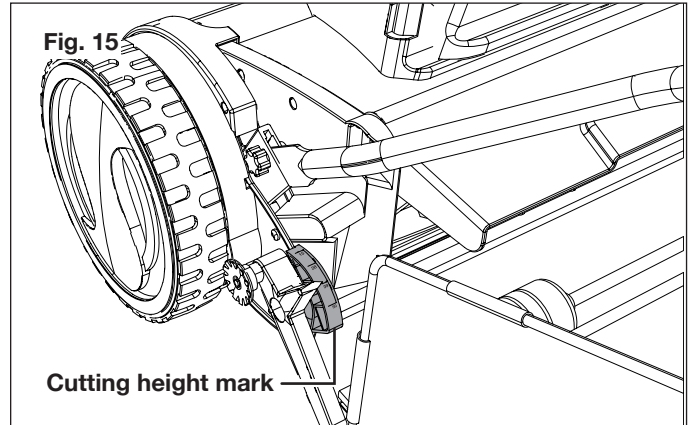


4. Other cutting heights are achieved by moving the adjustment knobs to the settings between the highest and lowest positions. Refer to the mark beside the height adjustment knobs when adjusting the cutting height (Fig. 15).

4-Position Height Adjustment:

- (1) Low: 0.6 in. (15 mm)
- (2) Medium: 1.0 in. (28 mm)
- (3) Medium: 1.5 in. (39 mm)
- (4) High: 2.0 in. (50 mm)

The cutting height tolerance is +/- 0.12 in. (3 mm).

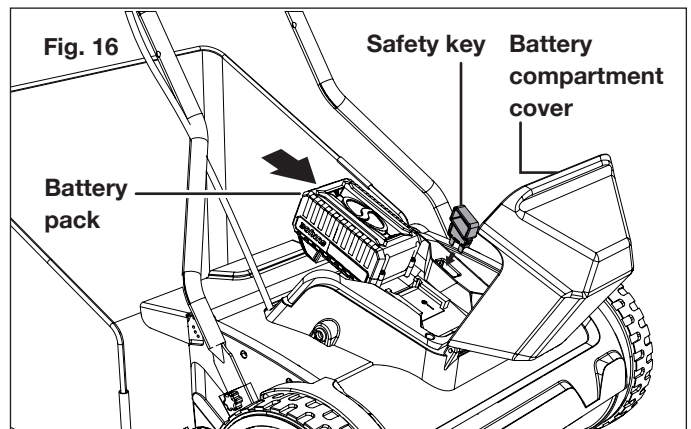


Starting + Stopping

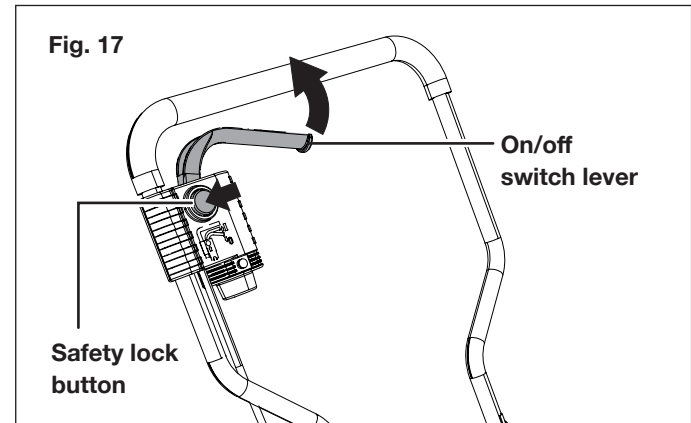
⚠ WARNING! Before switching on the reel mower, make sure that it is not in contact with any foreign objects. Keep your hands and feet a safe distance away from the rotating mower blades and the ejector opening. Failure to comply with these warnings can result in severe personal injury.

IMPORTANT: Do not start the reel mower in tall grass.

1. Make sure the unit's On/Off switch lever is not squeezed on. Insert the battery and the safety key in their slots (Fig. 16). Close the battery compartment cover.



2. To start the machine, press and hold the safety lock button, then pull the On/Off switch lever toward you (Fig. 17). Once the machine powers on, release the safety lock button and proceed with operation.



3. To stop the mower, release the On/Off switch lever.

⚠️ WARNING! The mower blade will continue to rotate for a brief period after the unit has been switched off. Do not tilt or carry the unit while the motor is still running and do not touch the blade while it is still rotating. Failure to comply could result in severe personal injury.

Mowing Tips

⚠️ WARNING! Inspect the area prior to mowing and remove all the stones, sticks, wires and other foreign objects that could be picked up and thrown by the rotating blade. Failure to comply not only will damage the mower blade, but can also lead to serious personal injury.

- Be sure to check the blades periodically for signs of wear and replace them at least once per year, as described in the maintenance section.
NOTE: Sharp blades will greatly enhance the performance of the reel mower, especially when cutting tall grass.
- When cutting thick grass, reduce your walking speed in order to allow for a more effective cut and a proper discharge of the clippings. For a healthy lawn, always cut off one-third or less from the total length of the grass. The average lawn should be approximately 1.5 in. to 2 in. (3.8 cm to 5 cm) long during cool months, and more than 2 in. (5 cm) long during hot months. If there is growth, the lawn should be cut in the fall.
- The lawn will look better if it is always cut to the same height and in alternate directions.
- When crossing any gravelled surfaces, release the On/Off switch lever to turn off the mower. The stones can be picked up and thrown by the rotating blade.
- Set the mower to the highest cutting height when mowing on uneven ground or in tall weeds.

⚠️ WARNING! If you strike a foreign object, stop the motor and remove the battery. Thoroughly inspect the mower and repair any damage before resuming work.

- Switch off the motor before emptying the grass collection bag. Always ensure that a safe distance (provided by the length of the long handles) is maintained between the user and the mower housing. Be especially careful when mowing and changing direction on slopes and inclines.
- Maintain a solid footing and wear sturdy, non-slip footwear and long trousers. Always mow across an incline (not up and down).
- Use special caution when backing up and pulling the reel mower towards you as such maneuvering of the machine poses a tripping hazard.
- For effective mulching, do not cut wet grass; it tends to stick to the underside of the deck, preventing the proper mulching of grass clippings. The best time to mow grass is in the late afternoon, when the grass is dry and the newly cut area will not be exposed to direct sunlight.
- For the best mulching performance, set the cutting height to remove approximately one third of the grass length,

ideally no more than 1.5 in. at one time. If the grass is overgrown, it may be necessary to increase the cut height to make it easier to mow and to prevent overloading the motor. Slow your cutting pace in tall or thick grass conditions. For mulching extremely thick or tall grass, it is advisable to first cut at a high cut-height setting, and then re-cut to the final cut height. Otherwise, make narrower cuts and mow slowly. **ALWAYS MAKE SURE THAT THE BLADE IS SHARP.**

Maintenance

⚠️ WARNING! Before cleaning, repairing, or inspecting the reel mower, stop the machine, disconnect the safety key and the battery. Verify that all moving parts have come to a complete stop.

General

- Always keep the reel mower clean and free of grass, dirt, or other debris.
- Keep the handles dry, clean, and free of oil and grease.
- After each cutting session, remove accumulated grass clippings and debris using either a dry cloth or hand brush. You may also clean the equipment with a damp cloth. Do not use cleaning agents or harsh solvents as they may damage the equipment's plastic components. Make sure that no water penetrates the equipment's interior as intake of water can destroy the switch mechanism and the electric motor.
- Do not clean the reel mower with running water, particularly with high-pressure water.
- Check all nuts, bolts, and screws for proper tightness before each use.
- Frequently inspect the grass collection bag for signs of wear and replace immediately with a genuine Snow Joe® + Sun Joe® part if damage is found.
- Replace excessively worn or damaged parts immediately.

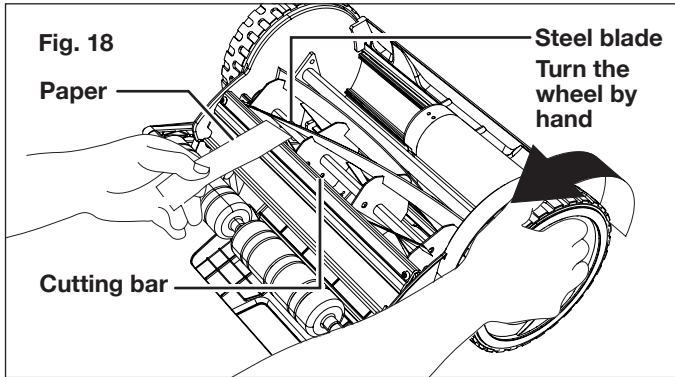
Lubrication

All of the bearings in this product are lubricated with a sufficient amount of high grade lubricants for the life of the unit under normal operation conditions. Therefore, no further lubrication of the bearings is needed.

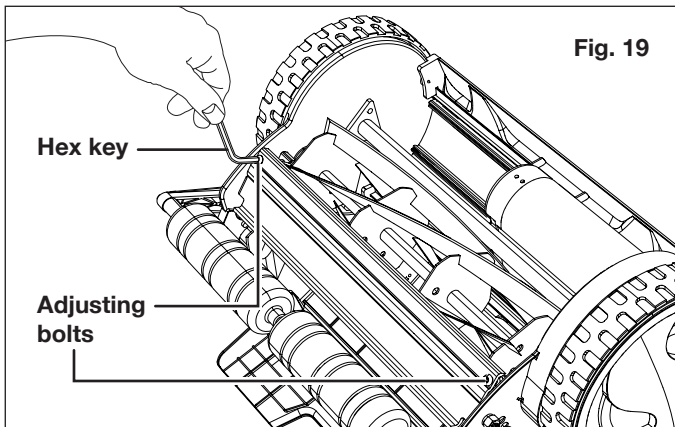
Ensuring a clean cut

⚠️ WARNING! The steel blades are extremely sharp. To avoid injury, do not touch the blades while making adjustments. Misalignment of the blades can occur, which often results from blades that are either too loose or too tight. This can cause an uneven cut or difficulty pushing the mower.

1. Place the mower on a flat surface. Remove the handles and the grass collection bag. Turn the mower upside down to expose the blades and the cutting bar.
2. Insert a piece of paper between the steel blades and the cutting bar, then slowly turn the wheel by hand (Fig. 18).



3. All the blades should slice the paper evenly along the entire length of the cutting bar while the wheel is turned smoothly. Repeat this testing on the other side of the mower.
4. If the mower cuts the paper intermittently, use the hex key wrench provided to tighten the adjustment bolt closest to where the intermittent cut was observed. Tighten the bolt on the appropriate end of the cutting bar by turning it clockwise approximately 1/8th of a turn until the steel blade contacts the cutting bar (Fig. 19).



5. If it becomes too difficult to move the wheel by hand while adjusting the reel blades, back off the adjustment bolt slightly by turning it counterclockwise. Test again with a new piece of paper to verify proper cutting action.
6. Make the same adjustment at the other end of the cutting bar.

⚠️ WARNING! Both adjustment bolts should have tension on final adjustment. Do not overtighten the adjustment bolts as this could damage the blades.

NOTE: If you have any questions, please call the Snow Joe® + Sun Joe® customer service department at 1-866-SNOWJOE (1-866-766-9563) for assistance.

Cleaning and Storage

1. Clean the exterior of the machine thoroughly using a soft brush and cloth before storing. Do not use water, solvents, or polishes.

2. Turn the mower on its side to clean the blade area.

⚠️ WARNING! Do not place your hands inside or near the cutting area. If grass cuttings are compacted in the blade area, remove them using a wood or plastic cleaning tool appropriate for blade cleaning.

3. Store the mower in a dry place. Do not place other objects on top of the mower during storage.

Maintenance Tips

Reel mowers are relatively low maintenance. For consistent cutting, follow the below instructions:

- Always keep the cutting blades properly adjusted. Refer to the instruction manual for further directions.
- Regularly clean and lubricate cutting edges with light spray oil.

IMPORTANT! Reel mowers have difficulty cutting tall weeds, such as dandelions, and will often bend, rather than cut, such weeds. Cut often to prevent this.

Disposal

Recycling the tool

- Do not dispose of electrical appliances as unsorted municipal waste. Use separate collection facilities.
- Contact your local government agency for information regarding the collection systems available.
- If electrical appliances are disposed of in landfills or dumps, hazardous substances can leak into the groundwater and get into the food chain, damaging your health and well-being.
- When replacing old appliances with new ones, the retailer is legally obligated to take back your old appliance for disposal at least free of charge.

Recycling + Disposal

The product comes in a package that protects it against damage during shipping. Keep the package until you are sure that all parts have been delivered and the product is functioning properly. Recycle the package afterwards or keep it for long-term storage.



WEEE symbol. Waste electrical products should not be disposed of with household waste. Please recycle where facilities exist. Check with your local authority or local store for recycling regulations.

Battery Caution + Disposal

Always dispose of your battery pack according to federal, state, and local regulations. Contact a recycling agency in your area for recycling locations.

⚠ CAUTION! Even discharged battery packs contain some energy. Before disposing, use electrical tape to cover the terminals to prevent the battery pack from shorting, which could cause a fire or explosion.

⚠ WARNING! To reduce the risk of injury or explosion, never burn or incinerate a battery pack even if it is damaged, dead or completely discharged. When burned, toxic fumes and materials are emitted into the surrounding atmosphere.

1. Batteries vary according to device. Consult your manual for specific information.
2. Install only new batteries of the same type in your product (where applicable).
3. Failure to insert the battery in the correct polarity, as indicated in the battery compartment or manual, may shorten the life of the batteries or cause batteries to leak.
4. Do not mix old and new batteries.
5. Do not mix Alkaline, Standard (Carbon-Zinc) or Rechargeable (Nickel Cadmium, Nickel Metal Hydride, or Lithium-Ion) batteries.
6. Do not dispose of batteries in fire.
7. Batteries should be recycled or disposed of as per state and local guidelines.

Service + Support

If your Sun Joe® 24V-CRLM15-CT cordless reel mower requires service or maintenance, please call the Snow Joe® + Sun Joe® customer service center at 1-866-SNOWJOE (1-866-766-9563) for assistance.

Model + Serial Numbers

When contacting the company or reordering parts, you will need to provide the model and serial numbers of your product. These are found on the decal affixed to the housing or handle of your lawn mower. Copy these numbers into the space provided below.

Record the following numbers from the housing or handle of your new product:	
Model #:	
Serial #:	

Troubleshooting

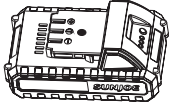
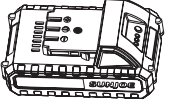



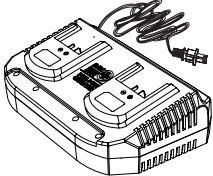
- Remove the battery and the safety key before carrying out maintenance on the machine or when checking that its parts are in proper working order.
- To avoid unnecessary hassles, consult the following table before contacting a qualified repair person with any mechanical issues.

Fault	Possible Cause	Remedy
Mower fails to start	<ul style="list-style-type: none"> a) The safety key is not inserted b) The battery is flat c) The battery is not inserted securely d) The motor/blade control is disengaged e) The mower deck is clogged with grass or debris f) The grass is too tall 	<ul style="list-style-type: none"> a) Insert the safety key b) Charge the battery c) Attach the battery pack to the mower; press it until you hear a click. d) Press safety lock button first ,then the On/Off switch lever e) Clean the mower deck. Make sure the blade is free to move f) Set the mower to a high cutting height. Lift the front wheels slightly by pressing down on the handle bar.
Mower stops while mowing	<ul style="list-style-type: none"> a) The battery is flat b) The grass is too tall c) The mower deck is clogged with grass or debris d) The battery or the mower circuitry is too hot 	<ul style="list-style-type: none"> a) Charge the battery b) Reset the cutting height c) Clean the mower deck. Make sure the blade is free to move d) Cool down the battery and the machine
The mower cannot cut grass evenly	<ul style="list-style-type: none"> a) The lawn is rough or uneven b) The blade is not sharp enough 	<ul style="list-style-type: none"> a) Adjust cutting height b) Sharpen or replace the blade
The mower is difficult to push	<ul style="list-style-type: none"> a) The grass is too tall to cut b) The blade or the mower rear is dragged by heavy grass c) Too much tolerance between the steel blades and the cylinder 	<ul style="list-style-type: none"> a) Adjust cutting height higher b) Tighten the adjusting bolts
The mower is vibrating at high speed	<ul style="list-style-type: none"> a) The motor shaft is bent b) The blade is unbalanced c) The adjusting bolts are loose 	<ul style="list-style-type: none"> a) Stop the motor, remove the battery, and inspect the damage. Contact with a qualified repair person. b) Balance the blade by grinding each cutting edge equally or replace a new one c) Tighten the adjusting bolts

Only a company specialist may be able to correct faults that cannot be rectified with the aid of this table. Please call the Snow Joe® + Sun Joe® customer service center at 1-866-SNOWJOE (1-866-766-9563).

Optional Accessories

⚠️ WARNING! ALWAYS use only authorized Snow Joe® + Sun Joe® replacement parts and accessories. NEVER use replacement parts or accessories that are not intended for use with this cordless reel mower. Contact Snow Joe® + Sun Joe® if you are unsure whether it is safe to use a particular replacement part or accessory with your cordless reel mower. The use of any other attachment or accessory can be dangerous and could cause injury or mechanical damage.

Accessories	Item	Model
	iON+ 24V 2.0 Ah Lithium-Ion Battery <i>Battery Runtime Max: 25 min (cuts up to 2,454 sq. ft of grass)</i>	24VBAT-LTE
	iON+ 24V 2.5 Ah Lithium-Ion Battery <i>Battery Runtime Max: 31 min (cuts up to 3,068 sq. ft of grass)</i>	24VBAT-LT
	iON+ 24V 4.0 Ah Lithium-Ion Battery <i>Battery Runtime Max: 50 min (cuts up to 4,910 sq. ft of grass)</i>	24VBAT
	iON+ 24V 5.0 Ah Lithium-Ion Battery <i>Battery Runtime Max: 62 min (cuts up to 6,135 sq. ft of grass)</i>	24VBAT-XR
	iON+ 24V lithium-ion Battery Quick Charger	24VCHRG-QC
	iON+ 24V lithium-ion Dual-port Battery Charger	24VCHRG-DPC

NOTE: Accessories are subject to change without any obligation on the part of Snow Joe® + Sun Joe® to provide notice of such changes. Accessories can be ordered online at sunjoe.com or via phone by contacting the Snow Joe® + Sun Joe® customer service center at 1-866-SNOWJOE (1-866-766-9563).



SNOW JOE® + SUN JOE® CUSTOMER PROMISE

ABOVE ALL ELSE, Snow Joe, LLC (“Snow Joe”) is dedicated to you, our customer. We strive to make your experience as pleasant as possible. Unfortunately, there are times when a Snow Joe®, Sun Joe®, or Aqua Joe® product (“Product”) does not work or breaks under normal operating conditions. We think it’s important that you know what you can expect from us. That’s why we have a Limited Warranty (“Warranty”) for our Products.

OUR WARRANTY:

Snow Joe warrants new, genuine, powered and non-powered Products to be free from defects in material or workmanship when used for ordinary household use for a period of two years from the date of purchase by the original, end-user purchaser when purchased from Snow Joe or from one of Snow Joe’s authorized sellers with proof of purchase. Because Snow Joe is unable to control the quality of its Products sold by unauthorized sellers, unless otherwise prohibited by law, this Warranty does not cover Products purchased from unauthorized sellers. If your Product does not work or there’s an issue with a specific part that is covered by the terms of this Warranty, Snow Joe will elect to either (1) send you a free replacement part, (2) replace the Product with a new or comparable product at no charge, or (3) repair the Product. How cool is that!

This Warranty gives you specific legal rights, and you may also have other rights which vary from State to State.

PRODUCT REGISTRATION:

Snow Joe strongly encourages you to register your Product. You can register online at snowjoe.com/register, or by printing and mailing in a registration card available online from our website, or calling our Customer Service Department at **1-866-SNOWJOE (1-866-766-9563)**, or by e-mailing us at help@snowjoe.com. Failure to register your Product will not diminish your warranty rights. However, registering your Product will allow Snow Joe to better serve you with any of your customer service needs.

WHO CAN SEEK LIMITED WARRANTY COVERAGE:

This Warranty is extended by Snow Joe to the original purchaser and original owner of the Product.

WHAT IS NOT COVERED?

This Warranty does not apply if the Product has been used commercially or for non-household or rental applications. This Warranty also does not apply if the Product was purchased from an unauthorized seller. This Warranty also does not cover cosmetic changes that do not affect performance. Wearing parts like belts, augers, chains and tines are not covered under this Warranty, and can be purchased at snowjoe.com or by calling **1-866-SNOWJOE (1-866-766-9563)**.



A series of 21 horizontal lines providing space for writing or drawing.



MANUAL DEL OPERADOR

Una división de Snow Joe®, LLC

PODADORA DE CÉSPED INALÁMBRICA A RODILLO – SOLO HERRAMIENTA

SP

24 V MAX.* | 35.6 cm

Modelo 24V-CRLM15-CT

Forma N° SJ-24V-CRLM15-CT-880S-MR1

¡IMPORTANTE! Instrucciones de seguridad

Todos los operadores deberán leer estas instrucciones antes del uso

Obedezca siempre estas normas de seguridad. No hacerlo podría resultar en lesiones corporales severas o incluso la muerte.

¡ADVERTENCIAS generales de seguridad!

Usted debe tomar precauciones básicas de seguridad siempre que use esta podadora de césped inalámbrica a rodillo para reducir riesgos de incendio, choque eléctrico y lesiones personales. Estas precauciones incluyen:

⚠ ¡ADVERTENCIA! El uso de cualquier otro accesorio o acoplamiento podría aumentar el riesgo de lesiones.

⚠ ¡ADVERTENCIA! Para reducir el riesgo de lesiones, inspeccione frecuentemente el ensamblado colector y reemplácelo con las partes recomendadas si es que presenta señales de desgaste o deterioro.

Antes de usar la podadora de césped a rodillo, tómese el tiempo para familiarizarse con los controles, sobre todo con la forma de detener la podadora en caso de emergencia. Las únicas personas que deben usar la podadora de césped a rodillo son aquellas que tengan un entendimiento completo de las instrucciones y sepan cómo operar dicha máquina. Los niños nunca deben tener acceso a la podadora de césped a rodillo.

Conserve este manual para futuras referencias y vuélvalo a leer al inicio de cada temporada de podado.

- 1. Evite entornos peligrosos:** no use la podadora de césped a rodillo bajo la lluvia, ni cuando el césped esté húmedo o mojado.
- 2. Mantenga alejados a los niños, espectadores y mascotas:** mantenga siempre a los niños, espectadores y mascotas a una distancia segura de la podadora de césped a rodillo mientras esté funcionando y mientras se enfríe.
- 3. Vístase apropiadamente:** al usar la podadora a rodillo, utilice siempre equipos de protección personal (es decir

gafas, guantes de hule, calzado protector y máscara antipolvo) y una vestimenta adecuada. Las vestimentas holgadas, el cabello largo o la joyería pueden engancharse en las partes móviles. Utilice una cubierta protectora para contener cabello largo.

- 4. Use el artefacto correcto:** no use esta podadora a rodillo en ninguna aplicación distinta a las aplicaciones para las cuales ha sido diseñada.
 - 5. No fuerce la podadora a rodillo:** tendrá un mejor funcionamiento con menos probabilidades de lesiones personales o fallas mecánicas si es usada con la intensidad para la cual fue diseñada.
 - 6. No se extralimite:** siempre mantenga con sus pies una posición y un balance adecuados.
 - 7. Manténgase alerta:** preste siempre atención y vea lo que está haciendo. Utilice su sentido común. No opere la podadora de césped a rodillo si usted está cansado o bajo la influencia del alcohol u otras drogas. Esta podadora a rodillo no ha sido diseñada para ser usada por personas (incluyendo niños) con capacidades físicas, sensoriales o mentales limitadas. Tampoco debe ser usada por aquellos que no tengan la experiencia y/o conocimientos apropiados para usarla, a menos que estén supervisados por una persona responsable por su seguridad o hayan recibido instrucciones de dicha persona sobre cómo usar la podadora.
 - 8. Evite encendidos accidentales:** asegúrese de que el interruptor esté en la posición de apagado antes de insertar la batería, levantar el artefacto o transportarlo. Llevar un artefacto con su dedo sobre el interruptor, o un artefacto con el interruptor en la posición de encendido, puede causar accidentes.
 - 9. Retire la batería:** desconecte la batería del artefacto antes de realizar en este cualquier ajuste, cambiarle accesorios, o guardarlo. Dichas medidas preventivas de seguridad reducen el riesgo de encender el artefacto de forma accidental.
 - 10. Guarde su podadora de césped a rodillo inactiva bajo techo:** cuando no esté siendo usada, la podadora de césped a rodillo debe guardarse bajo techo y en un lugar seco, bajo llave y lejos del alcance de los niños.
 - 11. Cuide su podadora de césped a rodillo:** mantenga las cuchillas afiladas y limpias para un mejor y más seguro funcionamiento.
- Inspeccione periódicamente el cable de alimentación de la podadora de césped a rodillo, y si está dañado hágalo reparar en un centro de servicio autorizado. Mantenga la empuñadura seca, limpia y sin aceite ni grasa.

Seguridad eléctrica



¡ADVERTENCIA! Lea todas las advertencias de seguridad e instrucciones. No seguir las instrucciones y advertencias puede causar un choque eléctrico, incendio y/o lesiones personales graves.

1. Recargue solo con el cargador especificado por el fabricante. Un cargador adecuado para un tipo de batería puede causar un incendio al ser usado con una batería de otro tipo.
2. Use artefactos a batería solo con baterías específicamente diseñadas para éstos. El uso de cualquier otra batería puede causar un incendio o lesiones personales.
3. Cuando la batería no esté siendo usada, manténgala alejada de otros objetos metálicos como monedas, sujetapapeles, clavos, tornillos, alfileres u otros objetos metálicos pequeños que puedan causar el contacto de un terminal de la batería con el otro. Cortocircuitar los terminales de la batería puede causar quemaduras o un incendio.
4. Bajo condiciones extremas, las baterías pueden expulsar un líquido. Evite el contacto con este líquido. Si usted accidentalmente hace contacto con este líquido, enjuáguese con agua. Si el líquido hace contacto con los ojos, adicionalmente busque atención médica. El líquido que sale de las baterías puede causar irritación o quemaduras.
5. No use baterías o artefactos que hayan sido dañados o modificados. Las baterías dañadas o modificadas pueden reaccionar impredeciblemente, causando un incendio, explosión o lesiones personales.
6. No exponga una batería o artefacto al fuego o a temperaturas extremas. Una exposición al fuego o a temperaturas por encima de los 265°F (130°C) puede causar una explosión.
7. Siga todas las instrucciones de carga, y no cargue la batería fuera del rango de temperaturas especificado en las instrucciones. Cargar de forma incorrecta o a temperaturas fuera del rango especificado puede dañar la batería e incrementar el riesgo de incendio.
8. No modifique ni intente reparar el artefacto o la batería (de ser aplicable), a menos que lo haga según lo indicado en las instrucciones de uso y cuidado.

¡IMPORTANTE!

Instrucciones de seguridad para podadoras de rodadura

Operación general

- Lea, entienda y siga todas las instrucciones en la máquina y en el(los) manual(es) antes de empezar.

- No ponga sus manos o pies cerca o debajo de la máquina. Manténgase siempre alejado de la abertura de descarga.
- Mantenga los protectores en su lugar y funcionando apropiadamente.
- Retire del área a podar objetos extraños como rocas, alambres, juguetes y otros objetos que pueden ser recogidos y arrojados por las cuchillas. Manténgase detrás del mango cuando el motor esté funcionando.
- Asegúrese de que el área a podar esté libre de transeúntes antes de encender la máquina. Detenga la máquina si alguien entra al área.
- No opere la máquina descalzo o usando sandalias. Use siempre calzado protector.
- Antes y durante el movimiento en reversa de la podadora, siempre mire hacia abajo y hacia atrás.
- Siempre mire hacia abajo y hacia atrás antes y durante el movimiento en reversa de la podadora de césped a rodillo.
- No opere la máquina sin todo el receptor de césped, protector contra descargas, protector posterior u otro dispositivo de seguridad en su lugar y funcionando apropiadamente.
- Nunca deje sin atender una máquina encendida.
- Detenga el motor y espere a que las cuchillas se hayan detenido por completo antes de limpiar la máquina, retirar el receptor de césped o desatascar el protector contra descargas.
- Opere la máquina solo bajo luz diurna o luz artificial apropiada.
- No opere la máquina si usted está cansado o bajo la influencia del alcohol o las drogas.
- Nunca opere la podadora a rodillo sobre césped mojado. Esté siempre atento a dónde esté pisando. Camine, nunca corra, con la podadora a rodillo.
- Si la máquina empieza a vibrar de manera anormal, detenga el motor e inmediatamente inspeccione la máquina para determinar la causa. Las vibraciones generalmente son señales de problemas.
- Mantenga las cuchillas afiladas.
- Mantenga las manos y los pies lejos del área de corte.
- Utilice siempre protección ocular al operar la máquina.
- Los objetos arrojados por las cuchillas del rodillo de la podadora de césped a rodillo pueden causar lesiones personales graves. Siempre se debe examinar cuidadosamente el área a podar y retirar todos los objetos antes de cada poda.
- Si la podadora de césped a rodillo golpea un objeto extraño, siga estas instrucciones:
 - i) Detenga la podadora de césped a rodillo soltando la palanca interruptora.
 - ii) Retire la batería.
 - iii) Inspeccione la unidad en busca de daños.

- iv) Repare cualquier daño antes de volver a encender la podadora a rodillo.

Trabajo en pendientes

Las pendientes son factores importantes relacionados a los accidentes de resbalos y caídas, los cuales pueden resultar en lesiones personales severas. La operación en todas las pendientes requiere mucho cuidado. Si no se siente seguro en una pendiente, no la pode.

- Pode el césped de forma lateral en la pendiente. Nunca pode pendientes siguiendo una ruta transversal de arriba a abajo. Tenga mucho cuidado al cambiar de dirección en una pendiente.
- Esté atento a hoyos, surcos, baches, rocas u otros objetos ocultos. Estos pueden causar un inesperado resbalón o caída.
- No pode sobre césped mojado o pendientes demasiado inclinadas. Una mala postura puede causar un accidente de resbalo y caída.
- No pode cerca de laderas, zanjas o terraplenes. Usted puede perder su postura o equilibrio.

Niños

Pueden ocurrir accidentes trágicos si el operador no está alerta de la presencia de niños. Los niños son generalmente atraídos a la máquina y a la actividad de podado.

Nunca asuma que los niños permanecerán en donde usted los vio por última vez.

- Mantenga a los niños lejos del área de poda y bajo la estricta vigilancia de un adulto responsable que no sea el operador.
- Esté siempre atento y apague la podadora si un niño entra al área.
- Nunca deje que los niños operen la podadora.
- Tenga especial cuidado al acercarse a esquinas ciegas, arbustos, árboles u otros objetos que puedan obstaculizar la visualización de un niño.

Servicio

- Detenga la podadora a rodillo y desconecte la llave de seguridad y la batería antes de reparar, limpiar o retirar recortes de césped.
- Mantenga ajustados todos los pernos y tuercas.
- Nunca manipule los dispositivos de seguridad. Inspecciónelos regularmente para asegurarse de que estén en su lugar y funcionando apropiadamente.
- Mantenga la podadora a rodillo libre de recortes de césped, hojas y acumulaciones de residuos.
- Nunca efectúe ningún ajuste o reparación con el motor encendido. Siempre desconecte la llave de seguridad antes de ajustar, limpiar o reparar la máquina.
- Inspeccione los componentes de la bolsa recolectora con frecuencia y reemplácelos con las partes recomendadas por el fabricante de ser necesario.

- Las cuchillas de la podadora de césped están afiladas. Al manipularlas, envuélvalas o use guantes. Tenga especial cuidado al reparar las cuchillas.
- Conserve o reemplace las etiquetas de seguridad y de instrucción, de ser necesario.
- Si su podadora de césped inalámbrica requiere servicio, contacte a un distribuidor Snow Joe® + Sun Joe® autorizado o comuníquese con la central de servicio al cliente Snow Joe® + Sun Joe® llamando al 1-866-SNOWJOE (1-866-766-9563). Para las reparaciones se deben utilizar únicamente partes de repuesto idénticas. Esto mantendrá la seguridad de la podadora de césped inalámbrica.
- Si el cable del cargador de la batería está dañado, deberá ser reemplazado inmediatamente para evitar accidentes. Comuníquese con la central de servicio al cliente Snow Joe® + Sun Joe® llamando al 1-866-SNOWJOE (1-866-766-9563) para recibir asistencia.

Instrucciones de seguridad para la batería y el cargador


NOTA: este paquete solo incluye la herramienta. La batería y el cargador no están incluidos. Deben ser adquiridos por separado.

El modelo 24V-CRLM15-CT es compatible con las baterías y cargadores del sistema iON+ de 24 V. Vea la página 37 para más información.

Prestamos mucha atención al diseño de cada batería para garantizar la producción de baterías seguras y durables, con una alta densidad de energía. Las celdas de las baterías tienen varios dispositivos de seguridad. Cada celda individual es inicialmente formateada y sus curvas eléctricas características son registradas. Estos datos son luego usados exclusivamente para ensamblar las mejores baterías posibles.

Independientemente de todas las precauciones de seguridad, se debe tener mucho cuidado al manipular la batería. Las siguientes instrucciones deben ser obedecidas en todo momento para garantizar un uso seguro. Un uso seguro solo puede ser garantizado si se usan celdas libres de daños. Una manipulación incorrecta de las baterías puede causar daños en sus celdas.

¡IMPORTANTE! Los análisis han confirmado que el uso incorrecto y el cuidado deficiente de baterías de alto rendimiento son las causas principales de lesiones personales y/o daños al producto.

 **¡ADVERTENCIA!** Use solo baterías de repuesto aprobadas. Otras baterías pueden dañar la podadora inalámbrica a rodillo y provocar un desperfecto que cause lesiones personales severas.

⚠ ¡ADVERTENCIA! No use baterías o artefactos que hayan sido dañados o modificados. Una batería dañada o alterada puede reaccionar impredeciblemente, causando un incendio, explosión, o riesgo de lesiones personales.

No modifique ni intente reparar el artefacto o la batería, a menos que lo haga según lo indicado en las instrucciones de uso y cuidado.

Su batería deberá ser reparada por una persona calificada usando únicamente partes de repuesto originales. Esto mantendrá la seguridad de la batería.

⚠ ¡PRECAUCIÓN! Para reducir el riesgo de lesiones personales, cargue la batería de iones de litio iON+ de 24 V solo con el cargador de baterías de iones de litio designado iON+ de 24 V. Otros tipos de cargadores presentan riesgos de incendio, lesiones personales y daños materiales. No conecte la batería a un tomacorriente doméstico ni encendedor de cigarrillos en su vehículo. Dicho uso indebido dañará o deshabilitará permanentemente la batería.

- **Evite entornos peligrosos:** no cargue la batería bajo la lluvia o nieve, ni en entornos húmedos o mojados. No use la batería ni el cargador en atmósferas explosivas (gases, polvo o materiales inflamables), ya que se pueden generar chispas al insertar o retirar la batería, provocando un incendio.
- **Cárguela en un área bien ventilada:** no bloquee los conductos de ventilación del cargador. Manténgalos despejados para permitir una ventilación adecuada. No permita que se fume o haya llamas abiertas cerca de una batería siendo cargada. Los gases presentes pueden explotar.
NOTA: el rango seguro de temperaturas para la batería es de 41°F (5°C) a 105°F (40.5°C). No cargue la batería en exteriores a temperaturas congelantes. Cárguela a temperatura ambiente en interiores.
- **Cuide el cable del cargador:** al desenchufar el cargador tire del enchufe, no del cable, para desconectarlo del tomacorriente y así evitar el riesgo de daños al enchufe y cable de alimentación. Nunca transporte el cargador colgado de su cable, ni tire del cable para desconectarlo del receptáculo. Mantenga el cable alejado del calor, aceites y bordes afilados. Asegúrese de que el cable no sea pisado, que la gente no se tropiece con éste, ni que esté sujeto a daños o tensiones mientras el cargador esté siendo usado. No use el cargador con un cable o enchufe dañado. Reemplace un cargador dañado inmediatamente.
- **No use un cable de extensión a menos que sea absolutamente necesario:** usar un cable de extensión incorrecto, dañado o conectado de forma inapropiada puede causar un incendio o choque eléctrico. Si se debe usar un cable de extensión, conecte el cargador a un cable de extensión de calibre 16 (o más grueso) de alambrado adecuado, con el enchufe hembra encajando perfectamente en el enchufe macho del cargador. Verifique que el cable de extensión esté en buenas condiciones.

- **Use solo accesorios recomendados:** el uso de un accesorio que no sea recomendado ni vendido por el fabricante de la batería o cargador de batería puede resultar en un choque eléctrico, incendio o lesiones personales.

- **Desenchufe el cargador cuando no esté siendo usado:** asegúrese de retirar las baterías de los cargadores desenchufados.

⚠ ¡ADVERTENCIA! Para reducir el riesgo de un choque

eléctrico, desenchufe siempre el cargador antes de llevar a

cabo cualquier tarea de limpieza o mantenimiento. No permita que el agua fluya dentro del cargador. Use un interruptor de circuito por falla a tierra (GFCI) para reducir el riesgo de un choque eléctrico.

- **No quemar ni incinerar baterías:** las baterías pueden explotar, causando lesiones personales o daños. Las baterías generan sustancias y humos tóxicos al ser quemadas.
- **No triture, deje caer ni dañe las baterías:** no use la batería ni el cargador si han sido severamente golpeados, se han dejado caer, se han aplastado, o han sido dañados de cualquier forma (como por ejemplo perforados con un clavo, golpeados con un martillo, pisados, etc.).
- **No los desarme:** el reensamblado incorrecto puede representar un riesgo severo de choque eléctrico, fuego o exposición a sustancias tóxicas de la batería. Si la batería o el cargador están dañados, contacte a un concesionario autorizado Snow Joe® + Sun Joe® o llame a la central de servicio al cliente Snow Joe® + Sun Joe® al 1-866-SNOWJOE (1-866-766-9563) para obtener ayuda.
- **Las sustancias químicas internas de la batería causan quemaduras severas:** nunca deje que una batería dañada haga contacto con la piel, ojos o boca. Si una batería dañada deja escapar sustancias químicas, use guantes de hule o neopreno para deshacerse de ella de forma segura. Si la piel es expuesta a los fluidos de la batería, lave el área afectada con jabón y agua, y enjuague con vinagre. Si los ojos son expuestos a las sustancias químicas de la batería, enjuáguelos inmediatamente con agua durante 20 minutos y busque atención médica. Quítese y deshágase de las vestimentas contaminadas.
- **No provoque un cortocircuito:** una batería puede hacer cortocircuito si un objeto metálico hace conexión entre los contactos positivo y negativo de la batería. No coloque una batería cerca de objetos que puedan causar un cortocircuito tales como monedas, sujetapapeles, tornillos, clavos, llaves y otros objetos metálicos. Una batería cortocircuitada representa un riesgo de incendio y lesiones personales severas.
- **Guarde su batería y cargador en un lugar fresco y seco:** no guarde la batería o cargador donde las temperaturas puedan exceder los 105°F (40.5°C), como bajo la luz directa del sol o dentro de un vehículo o construcción metálica durante el verano.

Información sobre la batería

1. La batería suministrada con su podadora inalámbrica a rodillo está cargada solo parcialmente. La batería tiene que ser cargada por completo antes de que usted use la herramienta por primera vez.
2. Para un óptimo rendimiento de la batería, evite ciclos de descarga baja cargando frecuentemente la batería.
3. Guarde la batería en un lugar fresco, de preferencia a 77°F (25°C) y cargada al menos a un 40%.
4. Las baterías de iones de litio están sujetas a un proceso natural de desgaste. Una batería debe ser reemplazada a más tardar cuando su capacidad caiga a un 80% de su capacidad inicial (cuando estaba nueva). Las celdas debilitadas en una batería gastada no cumplirán con los requisitos de alta potencia necesarios para la operación adecuada de su podadora de césped inalámbrica a rodillo, y por tanto representan un riesgo de seguridad.
5. No arroje las baterías al fuego abierto ya que esto representa un riesgo de explosión.
6. No incendie la batería ni la esponja al fuego.
7. No descargue las baterías exhaustivamente. Una descarga exhaustiva dañará las celdas de la batería. La causa más común de descarga exhaustiva es el almacenamiento prolongado o la falta de uso de baterías parcialmente descargadas. Deje de trabajar tan pronto como el rendimiento de la batería caiga considerablemente o se active el sistema de protección electrónico. Almacene la batería únicamente luego de haberla cargado por completo.
8. Proteja las baterías y la herramienta contra sobrecargas. Las sobrecargas causarán rápidamente un sobrecalentamiento y daños a las celdas dentro del compartimiento de la batería, incluso si este sobrecalentamiento no es aparente por fuera.
9. Evite daños y golpes. Reemplace inmediatamente la batería que se haya caído desde una altura de más de un metro o que haya sido expuesta a golpes violentos, incluso si la carcasa de la batería aparenta no tener daños. Las celdas dentro de la batería pueden haber sufrido daños severos. En dichos casos, lea la información de eliminación para deshacerse apropiadamente de la batería.
10. Si la batería sufre una sobrecarga y sobrecalentamiento, el sistema interruptor de protección integrado apagará el equipo por motivos de seguridad.
¡IMPORTANTE! No presione más el interruptor de ENCENDIDO/APAGADO si el interruptor de protección se ha activado. Esto puede dañar la batería.
11. Use únicamente baterías originales. El uso de otras baterías representa un riesgo de incendio y puede resultar en lesiones personales o una explosión.

Información sobre el cargador y el proceso de carga
















1. Verifique los datos registrados en la placa de especificaciones del cargador de batería. Asegúrese de conectar el cargador de batería a una fuente de alimentación que tenga el voltaje indicado en la placa de especificaciones. Nunca lo conecte a una fuente de alimentación con voltaje distinto al indicado.
2. Proteja el cargador de batería y su cable contra daños. Mantenga el cargador y su cable alejados del calor, grasas, aceites y bordes afilados. Haga reparar sin demora los cables dañados por un técnico calificado en un concesionario autorizado Snow Joe® + Sun Joe® o comuníquese con el centro de servicio al cliente Snow Joe® + Sun Joe® llamando al 1-866-SNOWJOE (1-866-766-9563).
3. Los enchufes eléctricos deben caber en los tomacorrientes. Nunca modifique el enchufe de ninguna manera. No use ningún enchufe adaptador con artefactos que tengan conexión a tierra. El uso de enchufes no modificados y tomacorrientes equivalentes reducirá el riesgo de un choque eléctrico.
4. Mantenga el cargador de batería, la(s) batería(s) y la herramienta inalámbrica fuera del alcance de los niños.
5. Durante periodos de trabajo pesado, la batería se calentará. Permita que la batería se enfríe a temperatura ambiente antes de insertarla en el cargador para su recarga.
6. No sobrecargue las baterías. No exceda los tiempos máximos de carga. Estos tiempos de carga solo se aplican a baterías descargadas. La inserción frecuente de una batería cargada o parcialmente cargada resultará en una sobrecarga y daños a las celdas. No deje las baterías en el cargador por días enteros.
7. Nunca use o cargue las baterías si sospecha que han pasado más de doce (12) meses desde la última vez que fueron cargadas. Existe una alta probabilidad de que la batería ya haya sufrido un daño severo (descarga exhaustiva).
8. Cargar baterías a una temperatura menor de 41°F (5°C) causará daños químicos a las celdas y puede provocar un incendio.
9. No use baterías que hayan sido expuestas al calor durante el proceso de carga, ya que las celdas de la batería pueden haber sufrido daños severos.
10. No use baterías que se hayan curvado o deformado durante el proceso de carga, ni aquellas que muestren otros síntomas atípicos como liberación de gases, zumbidos, resquebrajaduras, etc.
11. Nunca descargue por completo la batería (se recomienda una profundidad de descarga de un 80%). Una descarga completa de la batería causará un envejecimiento prematuro de las celdas de la batería.

Protección contra influencias del entorno

1. Use ropa de trabajo adecuada. Use gafas protectoras.
2. Proteja su herramienta inalámbrica y el cargador de batería contra la humedad y la lluvia. La humedad y la lluvia pueden causar peligrosos daños a las celdas.
3. No use la herramienta inalámbrica ni el cargador de batería cerca de vapores o líquidos inflamables.
4. Use el cargador de batería y la herramienta inalámbrica solo en entornos secos y a una temperatura ambiente de entre 41°F (5°C) y 105°F (40.5°C).
5. No coloque la batería en lugares donde la temperatura pueda alcanzar más de 105°F (40.5°C). En particular, no deje el cargador de batería en un auto estacionado bajo la luz directa del sol.
6. Proteja las baterías contra el sobrecalentamiento. Las sobrecargas, exceso de carga y exposición a la luz directa del sol darán como resultado un sobrecalentamiento y daños a las celdas. Nunca cargue ni trabaje con baterías que hayan estado sobrecalentadas. De ser posible, reemplácelas inmediatamente.
7. Guarde el cargador de batería y su herramienta inalámbrica solo en entornos secos y a una temperatura ambiente de entre 41°F (10°C) y 105°F (40.5°C). Guarde su batería de iones de litio en un lugar fresco y seco, a una temperatura ambiente de 77°F (25°C). Proteja la batería, el cargador y la herramienta inalámbrica contra la humedad y la luz directa del sol. Solo almacene baterías cargadas por completo (cargadas hasta al menos un 40%).
8. Evite que la batería de iones de litio se congele. Las baterías almacenadas a una temperatura menor de 32°F (0°C) por más de 60 minutos deben ser desechadas.
9. Al manipular baterías, tenga cuidado con las descargas electrostáticas. Las descargas electrostáticas pueden dañar el sistema electrónico de protección y las celdas de la batería. Evite las descargas electrostáticas y nunca toque los polos de la batería.

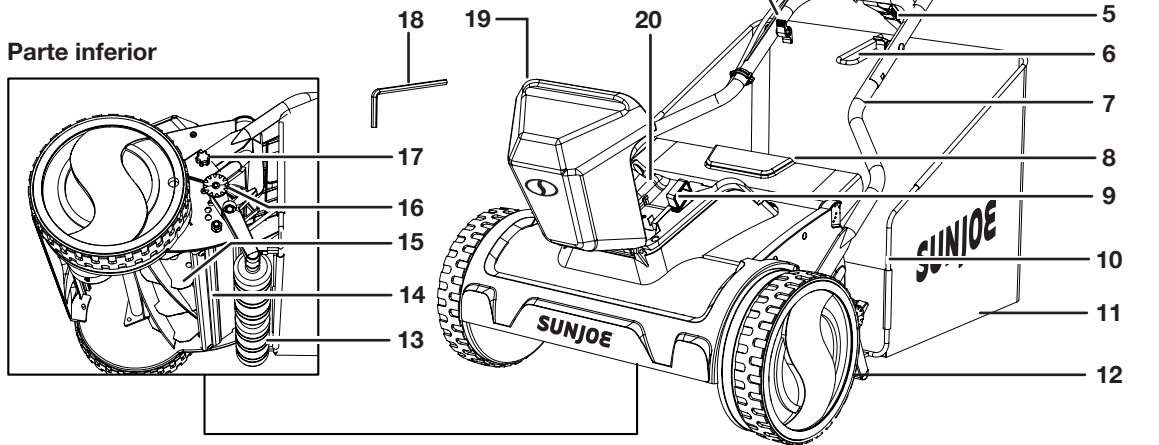
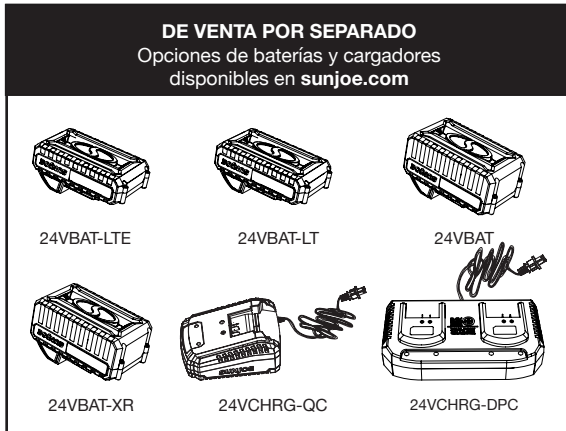
Símbolos de seguridad

La siguiente tabla muestra y describe los símbolos de seguridad que pueden aparecer en este producto. Lea, comprenda y siga todas las instrucciones de la máquina antes de intentar ensamblarla y operarla.

Símbolo	Descripción	Símbolo	Descripción
	¡PELIGRO! Cuchillas giratorias. Mantenga los pies y manos alejados.		Mantenga a los transeúntes y niños alejados a una distancia segura.
	Alerta de seguridad. Precaución. Para reducir el riesgo de lesiones, el usuario debe leer el manual de instrucciones.		Use protección para sus ojos y oídos. Para evitar lesiones, use protectores para los oídos y gafas de seguridad.
	¡ADVERTENCIA! No exponga ni opere la unidad en la lluvia o entornos mojados. Manténgala seca.		Use guantes protectores y calzado no deslizante al operar esta máquina y al manipular desechos.
	Peligro de resbalo en pendientes: tenga extremo cuidado al podar en pendientes para evitar resbalar y caer.		Amputación de dedos de pies o manos por cuchilla giratoria de podadora de césped.
	Los objetos arrojados y la cuchilla giratoria pueden causar lesiones personales severas.		Mantenga a los espectadores a una distancia segura del área de trabajo.
	Las cuchillas continúan girando luego de que la máquina se haya apagado.		¡ADVERTENCIA! Siempre APAGUE la máquina y retire la llave de seguridad antes de llevar a cabo tareas de inspección, limpieza o mantenimiento.
	Cuchilla giratoria: mantenga las manos y pies alejados de la abertura mientras la máquina esté funcionando.		Mire hacia atrás cuando retroceda con la podadora de césped.
	Solo para uso en interiores. Utilice el cargador de batería solamente en interiores.		

Conozca su podadora de césped inalámbrica a rodillo

Lea detenidamente el manual del operador y las instrucciones de seguridad antes de operar la podadora de césped inalámbrica a rodillo. Compare la ilustración debajo con la podadora a rodillo para familiarizarse con las ubicaciones de los diversos controles y ajustes. Conserve este manual para futuras referencias.



- | | | |
|---|--|---|
| 1. Empuñadura suave | 10. Vara de soporte de bolsa recolectora de césped | 19. Tapa de compartimiento de batería |
| 2. Estructura de manillar superior | 11. Bolsa recolectora de césped | 20. Compartimiento de batería |
| 3. Gancho para faja | 12. Ruedas (x2) | 21. Perillas y pernos de manillar inferior (2 juegos) |
| 4. Manillares intermedios (x2) | 13. Barra de rodillo | 22. Gancho para cable (x2) |
| 5. Faja de sujeción | 14. Barra de corte | 23. Perillas y pernos de manillar superior (2 juegos) |
| 6. Mango de bolsa recolectora de césped | 15. Cuchillas de acero de corte | 24. Caja de interruptor |
| 7. Estructura de manillar inferior | 16. Perillas de ajuste de altura (x2) | 25. Botón de trabado de seguridad |
| 8. Compuerta eyectora | 17. Perillas inferiores (x2) | 26. Palanca interruptora |
| 9. Llave de seguridad | 18. Llave hexagonal | |

Datos técnicos

Motor	360 W
Voltaje máximo de la batería*	24 V CC
Capacidad de la batería	Vea la página 37 para las opciones y especificaciones de batería
Tiempo máximo de funcionamiento de la batería	Vea la página 37 para las opciones y especificaciones de batería
Velocidad sin carga	1,000 RPM
Rotor	5 cuchillas de acero
Ancho de corte	15 plg (38 cm)
Alturas de corte	Cuatro: 0.6 plg 1 plg 1.5 plg 2 plg (15 mm 28 mm 39 mm 50 mm)
Capacidad de bolsa recolectora de césped	11.9 gal (45 L)
Peso neto	27.6 lb (12.5 kg)

*El voltaje inicial sin carga, cuando la batería está cargada por completo, alcanza un máximo de 24 V. El voltaje nominal bajo una carga típica es de 21.6 V.

Desembalaje

Contenido del paquete:

- Cuerpo de podadora de césped inalámbrica a rodillo conectado con estructura de manillar superior
- Manillares intermedios (x2)
- Estructura de manillar inferior
- Bolsa recolectora de césped
- Vara de soporte de bolsa recolectora de césped
- Perillas y pernos de manillares (4 juegos)
- Perillas inferiores (x2)
- Gancho para cable (x2)
- Llave de seguridad
- Llave hexagonal
- Manuale y tarjeta de registro

1. Retire cuidadosamente la podadora de césped a rodillo y compruebe que todos los artículos anteriores estén suministrados.
2. Inspeccione cuidadosamente el producto para asegurarse de que no ocurrió ningún daño o ruptura durante el transporte.

NOTA: no se deshaga de la caja de transporte ni de los materiales de embalaje hasta que usted esté listo para usar su podadora de césped inalámbrica. El empaquetado está hecho de materiales reciclables. Deshágase de materiales en conformidad con los reglamentos locales.

¡IMPORTANTE! La podadora y sus materiales de embalaje no son juguetes. No permita que los niños jueguen con bolsas plásticas, láminas o partes pequeñas. ¡Estos objetos pueden ser tragados y representan un riesgo de asfixia!

Operación de la batería

La unidad es alimentada con una batería de iones de litio. Esta batería está completamente sellada y no requiere de mantenimiento.

SOLO HERRAMIENTA

BATERÍA Y CARGADOR DE VENTA POR SEPARADO

Para operar esta podadora de césped inalámbrica a rodillo usted necesitará una batería y un cargador del sistema iON+ de 24 V. Vea la página 37 para las opciones y especificaciones de batería y cargador, o visite sunjoe.com.

⚠ ¡ADVERTENCIA! Antes de su primer uso, la batería requiere al menos 1 hr 50 min de carga para que esté cargada por completo. Si la batería está baja, vuelva a recargar durante 1 hr 50 min antes de volver a trabajar.

Indicador de nivel de carga de batería

La batería tiene un botón para detectar su nivel de carga. Simplemente presione el botón para leer el nivel de carga de la batería en los LED indicadores de la batería:

- Los tres LED indicadores de nivel están encendidos: el nivel de carga de la batería es elevado.
- Dos LED indicadores de nivel encendidos: el nivel de carga de la batería está disminuyendo. Deje de trabajar tan pronto como sea posible.
- Un LED indicador de nivel está encendido: la batería está baja. Deje de trabajar INMEDIATAMENTE y cargue la batería, de otro modo, la vida útil de la batería se reducirá en gran medida.

Luces	Luces indicadoras
	Botón de nivel de carga
	La batería está cargada a un 30% y requiere ser cargada de inmediato
	La batería está cargada a un 60% y requiere ser cargada pronto
	La batería está cargada por completo

NOTA: si el botón de nivel de carga no parece funcionar, inserte la batería dentro del cargador y cargue según se requiera.

NOTA: inmediatamente luego del uso de la batería, el botón de nivel de carga puede mostrar una carga más baja que la que se mostrará algunos minutos después. Las celdas de la batería “recuperan” parte de su carga luego de permanecer inactivas.

Operación del cargador

⚠ ¡ADVERTENCIA! Cargue baterías de iones de litio de 24 V Sun Joe® solo con su cargador rápido de baterías de iones de litio de 24 V Sun Joe® compatible. Otros tipos de baterías pueden causar lesiones personales y daños materiales.

Para reducir el riesgo de choque eléctrico, no permita que entre agua a la conexión CA/CC del cargador.

SOLO HERRAMIENTA
BATERÍA Y CARGADOR DE VENTA POR SEPARADO

Para operar esta podadora de césped inalámbrica a rodillo usted necesitará una batería y un cargador del sistema iON+ de 24 V. Vea la página 37 para las opciones y especificaciones de batería y cargador, o visite sunjoe.com.

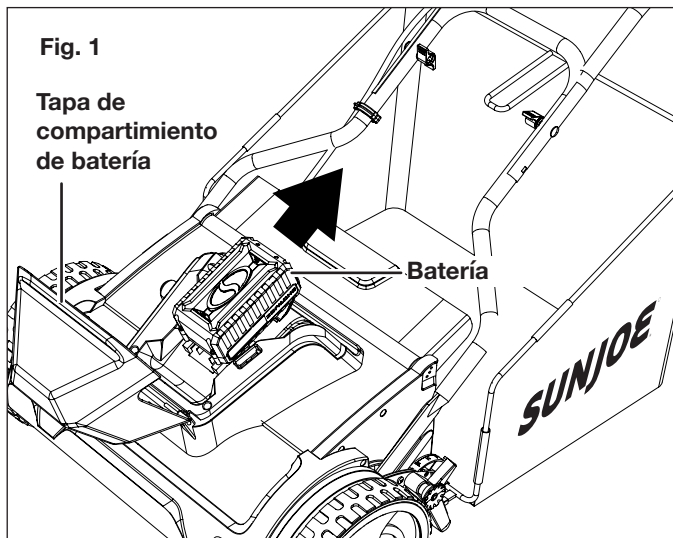
Cuándo cargar la batería de iones de litio iON+ de 24 V

NOTA: la batería de iones de litio iON+ de 24 V no crea una “memoria” al ser cargada luego de una descarga parcial, por lo tanto no hay necesidad de agotar la batería antes de insertar el conector del cargador.

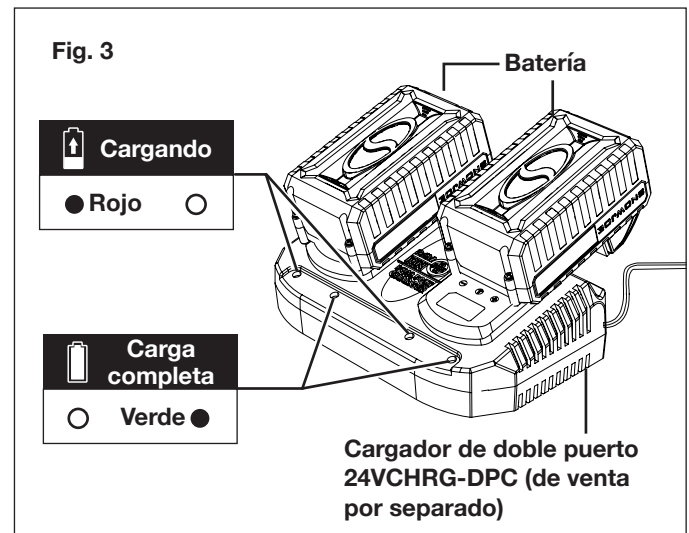
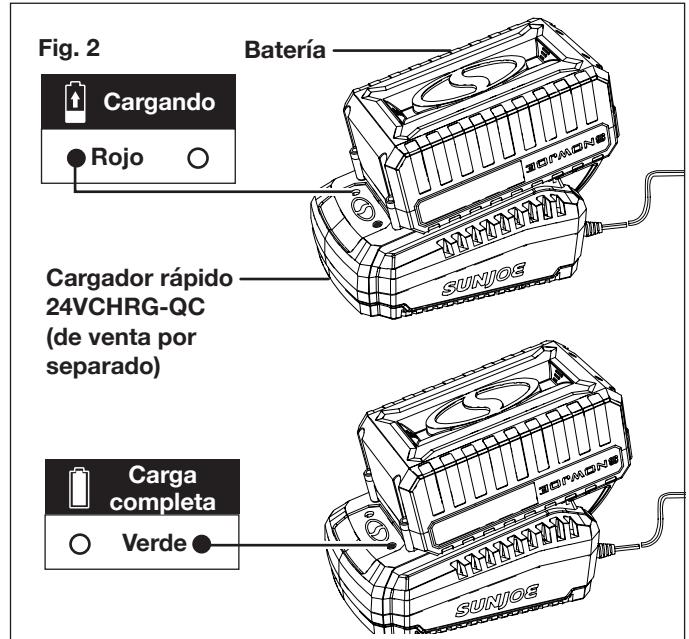
- Use las luces indicadoras de carga de batería para determinar cuándo cargar su batería de iones de litio iON+ de 24 V.
- Usted puede cargar por completo su batería antes de empezar un trabajo grande o luego de un uso prolongado.

Carga de la batería

1. Abra la cubierta del compartimiento de la batería, y empuje el botón pulsador de trabado en la batería para sacar la batería de su compartimiento (Fig. 1).



2. El método para cargar sus baterías de iones de litio variará dependiendo del modelo de su cargador Snow Joe® + Sun Joe®. Usted puede insertar sus baterías de 24 V en el cargador rápido 24VCHRG-QC (de venta por separado) o en el cargador de doble puerto 24VCHRG-DPC (de venta por separado) (Figs. 2 y 3).



3. Las luces LED indicadoras de la batería se iluminarán una a una durante el proceso de carga. Desconecte el cargador inmediatamente cuando las tres luces LED estén iluminadas.
4. El cargador rápido 24VCHRG-QC (de venta por separado) y el cargador de doble puerto 24VCHRG-DPC (de venta por separado) están también equipados con luces que indican el estado de carga (Figs. 2 y 3).

⚠ ¡PRECAUCIÓN! PELIGRO DE INCENDIO. Al desconectar el cargador de la batería, asegúrese de desenchufar primero el cargador del tomacorriente, y luego desconectar el cargador de la batería.

⚠ ¡ADVERTENCIA! Este cargador no se apaga de forma automática cuando la batería está completamente cargada. Tenga cuidado de no dejar la batería conectada al cargador. Apague o desenchufe el cargador del tomacorriente cuando la carga haya sido completada.

5. Una recarga oportuna de la batería ayudará a prolongar su vida útil. Usted debe recargar la batería cuando note una caída en la potencia del equipo.

¡IMPORTANTE! Nunca permita que la batería se descargue por completo ya que esto causará un daño irreversible a la batería.

6. Cuando se haya completado la carga, retire la batería del cargador presionando sus botones de trabado y deslizando la batería hacia atrás para destrabarla del cargador.

Ensamblado

⚠ ¡ADVERTENCIA! No inserte la batería y la llave de seguridad hasta que el ensamblado haya sido completado. El incumplimiento de esta advertencia puede resultar en un encendido accidental y lesiones personales severas.

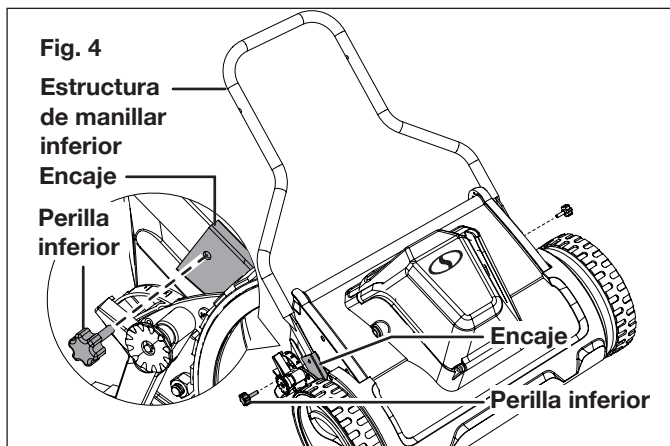
⚠ ¡ADVERTENCIA! Antes de realizar cualquier tarea de mantenimiento, asegúrese de que la batería y la llave de seguridad hayan sido extraídas de la unidad. No seguir esta advertencia puede causar lesiones personales severas.

⚠ ¡ADVERTENCIA! El producto debe estar completamente ensamblado antes de su operación. No use un producto que esté parcialmente ensamblado, o ensamblado con partes dañadas.

NOTA: antes de usar la podadora a rodillo, siga estas instrucciones para ensamblarla:

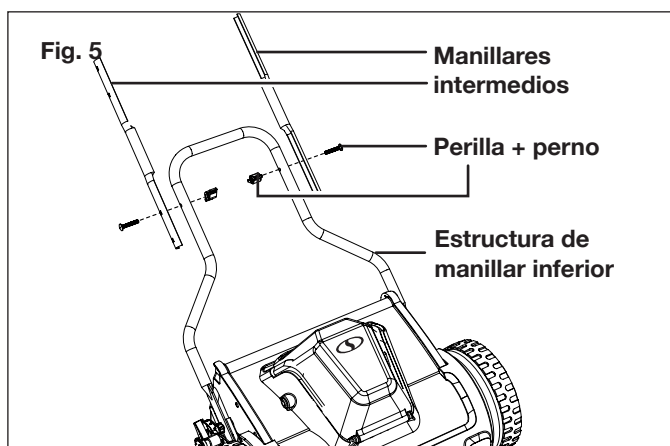
Ensamblado del manillar

1. Inserte los extremos de la estructura del manillar inferior dentro de los encajes en ambos lados de la base de la podadora. Trabe la estructura con los pernos inferiores suministrados (Fig. 4).

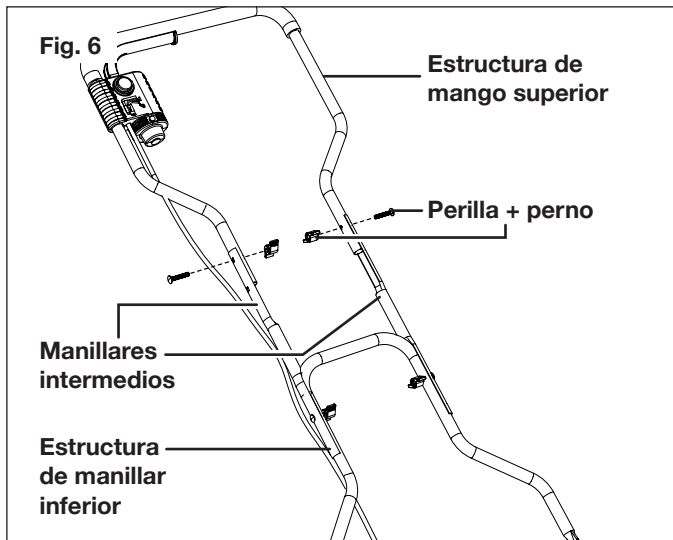


2. Coloque los manillares intermedios en ambos lados de la estructura de manillar inferior, alineando los orificios. Asegúrelos con los dos juegos de perillas y pernos (Fig. 5).

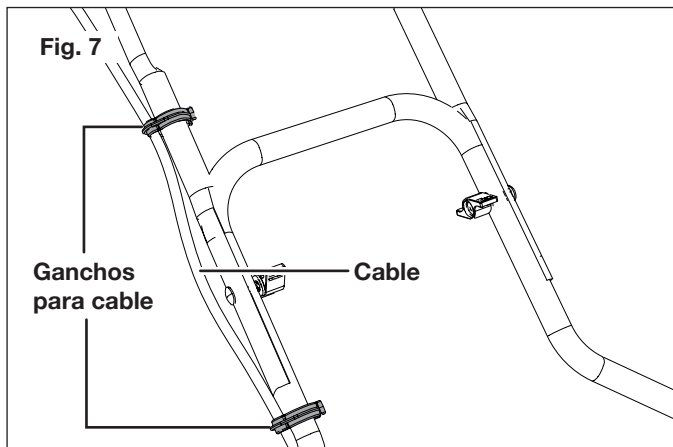
NOTA: cada manillar intermedio tiene dos orificios, uno arriba y uno abajo. Ajuste el ensamblado de manillar a la posición óptima alineándolo con el orificio a la altura deseada.



3. Coloque la estructura de manillar superior en ambos manillares intermedios, tal como se muestra, alineando los orificios. Asegúrela con los dos juegos de perillas y pernos restantes (Fig. 6).



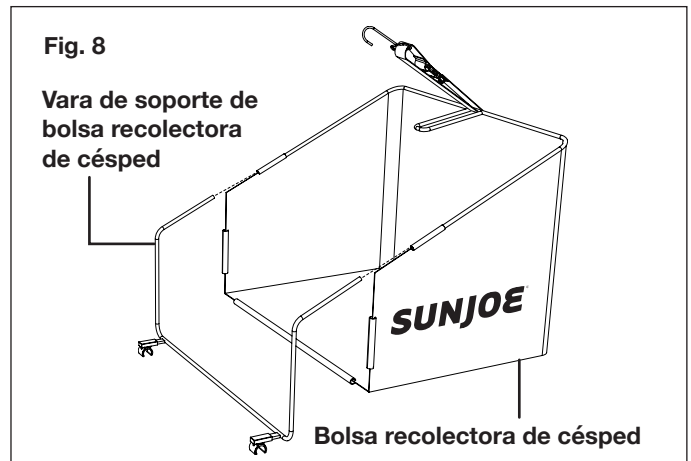
4. Asegure el cable con los dos ganchos para cable, tal como se muestra (Fig. 7).



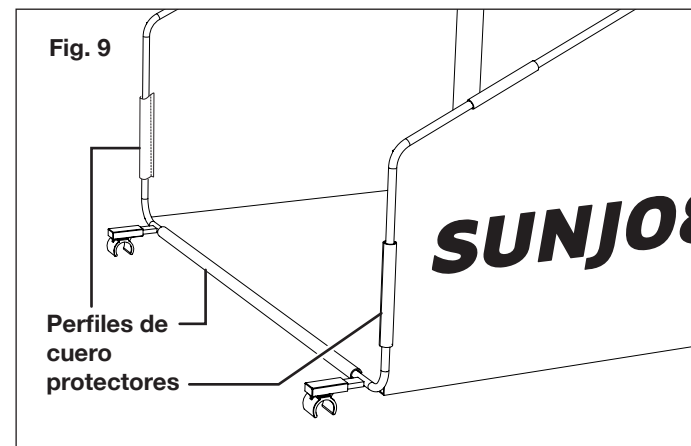
Ensamblado y colocación de la bolsa recolectora para césped

La bolsa recolectora para césped evita que los recortes de césped sean arrojados al césped mientras usted poda.

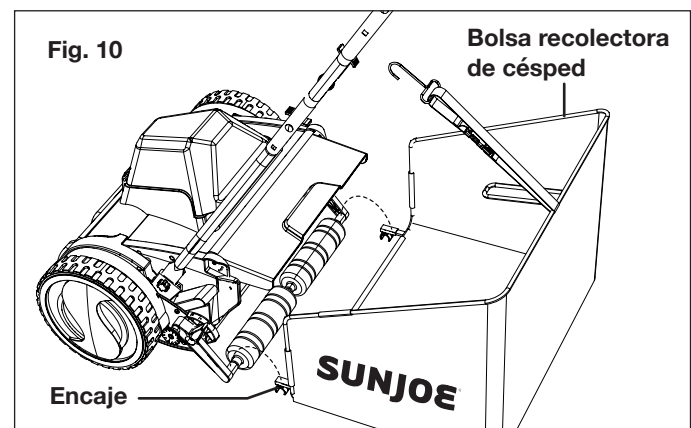
1. Coloque la vara de soporte de bolsa recolectora de césped dentro de los tubos de la bolsa (Fig. 8).



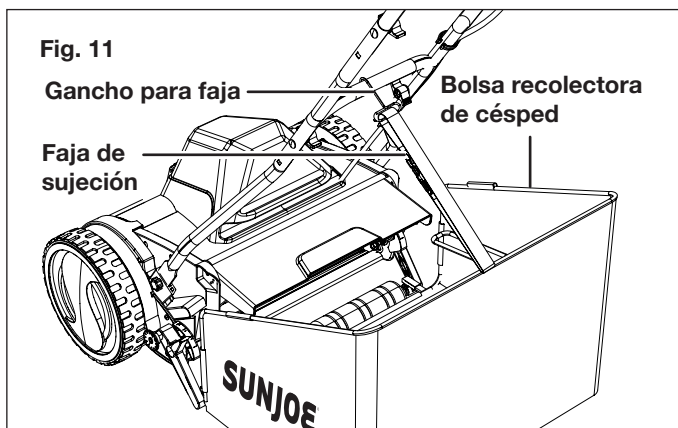
2. Enganche los perfiles de cuero protectores sobre la vara de soporte para asegurar el ensamblado (Fig. 9).



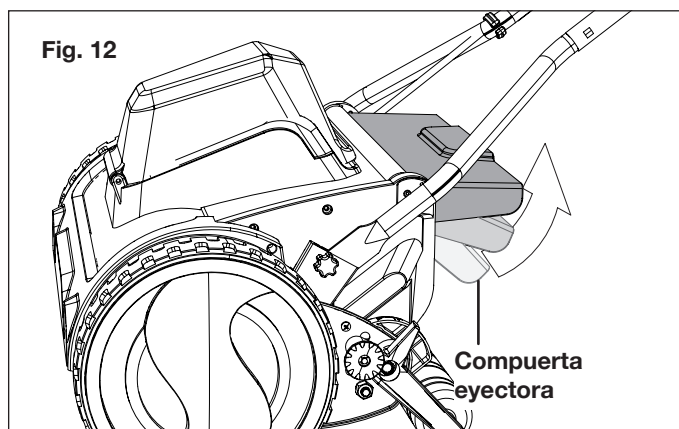
3. Levante la compuerta eyectora a la posición más alta, y conecte la bolsa recolectora de césped a la podadora enganchando los encajes a ambos extremos del eje del rodillo (Fig. 10).



4. Enganche el gancho de la faja de la bolsa recolectora de césped a la barra central de la estructura de manillar inferior (Fig. 11). Ajuste la faja a una altura apropiada de manera que la bolsa recolectora de césped no se arrastre sobre el suelo durante la poda o el transporte.



5. Esta podadora de césped a rodillo puede ser usada sin su bolsa recolectora de césped. Cuando la bolsa recolectora de césped no esté instalada, ajuste la compuerta eyectora a una posición adecuada para evitar que le caigan recortes de césped (Fig. 12).



Operación

Esta podadora de césped a rodillo está diseñada para el corte de césped en jardines y patios pequeños. Esta podadora de césped a rodillo no ha sido diseñada para cortar césped de parques públicos, campos de juego, granjas o bosques. No use esta podadora a rodillo en ninguna aplicación distinta a las aplicaciones para la que ha sido diseñada.

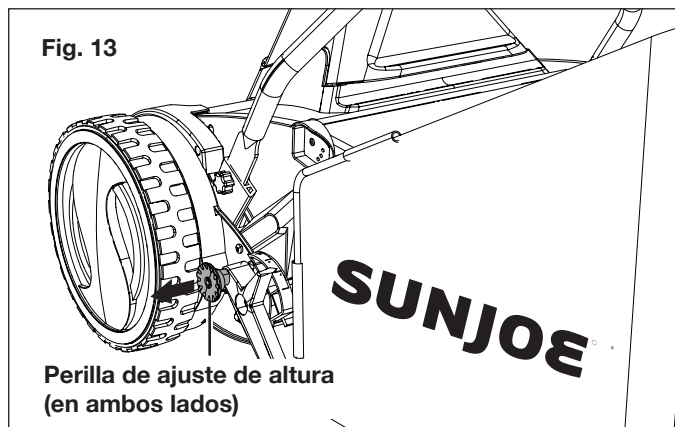
Ajuste de la altura de corte

Esta podadora de césped inalámbrica a rodillo está equipada con una palanca de ajuste de altura de cuatro posiciones para ajustar las alturas de corte de césped desde 0.6 plg (15 mm) a 2 plg (50 mm). Para cambiar la altura de corte de césped, siga las instrucciones a continuación.

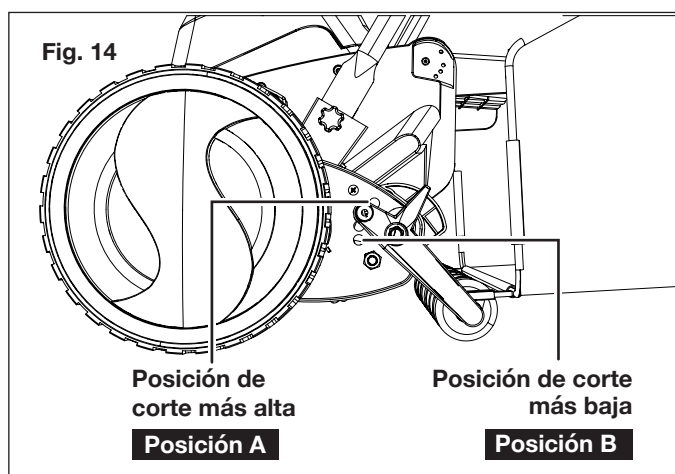
⚠ ¡ADVERTENCIA! Antes de realizar estos ajustes, retire la batería y la llave de seguridad de la podadora de césped y espere hasta que las cuchillas giratorias se hayan detenido por completo.

OBEDEZCA SIEMPRE TODAS LAS PRECAUCIONES Y RECOMENDACIONES DE SEGURIDAD MENCIONADAS PREVIAMENTE EN ESTE MANUAL.

1. Apague la podadora de césped a rodillo y retírela la batería y la llave de seguridad.
2. Para ajustar la altura de corte, saque las perillas de ajuste de altura en ambos lados del armazón del cuerpo de la podadora a rodillo e inserte las perillas a la configuración deseada (Fig. 13).



3. Para ajustar el rodillo a la posición de corte más alta, coloque las perillas de ajuste dentro de los orificios superiores (posición A) ubicados a los lados del armazón del cuerpo de la podadora. Para ajustar el rodillo a la posición de corte más baja, coloque las perillas de ajuste dentro de los orificios inferiores (posición B) ubicados a los lados del armazón del cuerpo de la podadora (Fig. 14).

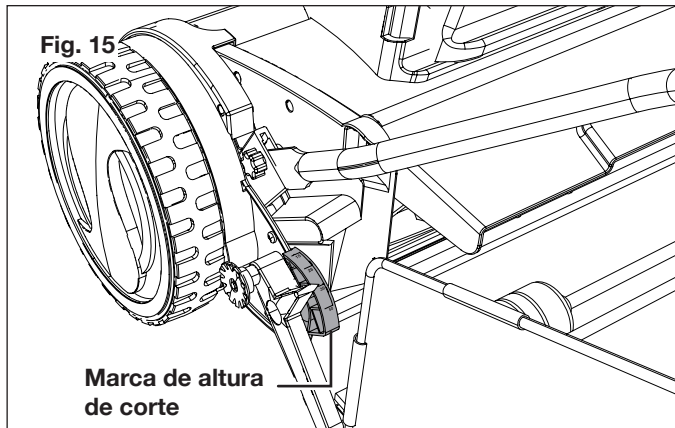


4. Se pueden obtener otras alturas de corte moviendo las perillas de ajuste a las configuraciones entre las posiciones más alta y más baja. Al cambiar la altura de corte, consulte la marca junto a las perillas de ajuste de altura (Fig. 15).

Ajuste de altura de cuatro posiciones:

- (1) Baja: 0.6 plg (15 mm)
- (2) Media: 1 plg (28 mm)
- (3) Media: 1.5 plg (39 mm)
- (4) Alta: 2 plg (50 mm)

La tolerancia de altura de corte es ± 0.12 plg (± 3 mm).

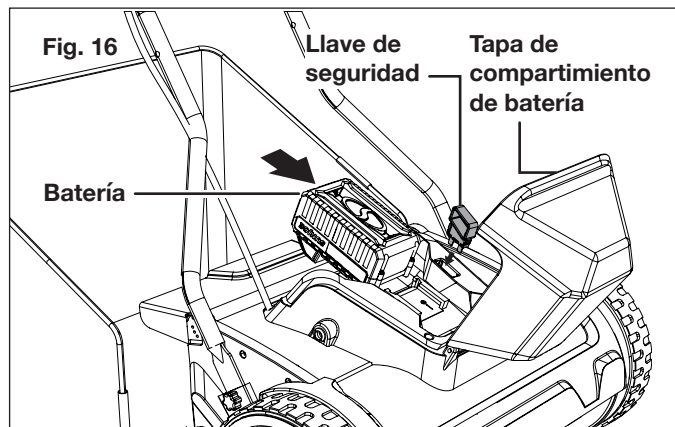


Arranque y parada

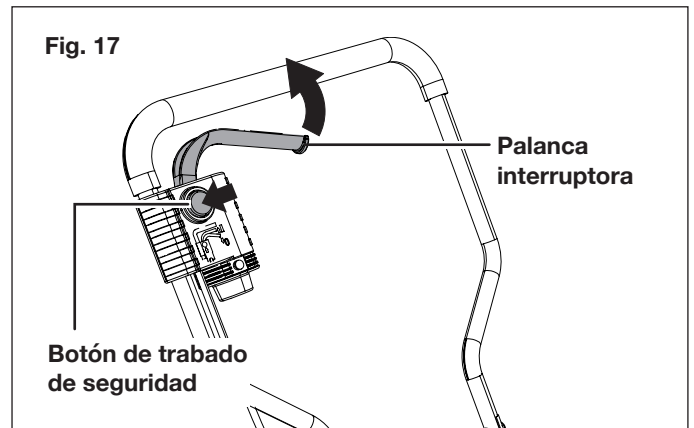
⚠ ¡ADVERTENCIA! Antes de encender la podadora de césped a rodillo, asegúrese de que no haga contacto con ningún objeto extraño. Mantenga sus manos y pies a una distancia segura de las cuchillas giratorias y de la compuerta eyectora. No obedecer estas advertencias puede causar lesiones personales severas.

IMPORTANTE: no encienda la podadora a rodillo sobre césped alto.

1. Asegúrese de que la palanca interruptora de la unidad no esté apretada. Inserte la batería y la llave de seguridad en sus ranuras (Fig. 16). Cierre la tapa del compartimento de la batería.



2. Para encender la podadora a rodillo, presione el botón de trabado de seguridad y, sin soltarlo, jale la palanca interruptora hacia usted (Fig. 17). Una vez que la máquina se encienda, suelte el botón de trabado de seguridad y proceda con la operación



3. Para detener la podadora, suelte la palanca interruptora.

⚠ ¡ADVERTENCIA! La cuchilla podadora continuará girando por un breve periodo luego de que la unidad haya sido apagada. No incline ni transporte la unidad mientras el motor esté aún funcionando, ni toque la cuchilla cuando esta aún esté girando. No obedecer esta advertencia puede causar lesiones personales severas.

Consejos para la poda

⚠ ¡ADVERTENCIA! Inspeccione el área antes del podado y retire todas las piedras, palos, alambres y otros objetos extraños que puedan ser recogidos y lanzados por la cuchilla giratoria. No hacerlo no solo dañará la cuchilla de la podadora sino también puede causar severas lesiones personales.

- Asegúrese de inspeccionar periódicamente la cuchilla podadora para ver si hay señales de desgaste, y reemplácela según se necesite en la sección de mantenimiento.

NOTA: una cuchilla afilada mejorará de manera significativa el rendimiento de la podadora, especialmente al cortar hojas altas de césped.

- Al cortar césped grueso, reduzca su velocidad de caminata o autopropulsión para permitir un corte más efectivo y una descarga apropiada del césped cortado. Para un césped saludable, corte siempre $\frac{1}{3}$ o menos de la longitud total del césped. El césped en promedio deberá tener de 1.5 plg a 2 plg (3.8 cm a 5 cm) de largo durante los meses fríos, y más de 2 plg (5 cm) de largo durante los meses calurosos. Si hay crecimiento, el césped deberá ser cortado en el otoño.
- El césped se verá mejor si es siempre cortado a la misma altura y en direcciones alternas.
- Al cruzar cualquier superficie con grava, suelte la palanca interruptora para apagar la podadora. Las piedras pueden ser recogidas y lanzadas por la cuchilla giratoria.
- Ajuste la podadora a su mayor altura de corte al podar en terreno disperejo o con maleza.

⚠ ¡ADVERTENCIA! Si la máquina golpea un objeto extraño, detenga el motor y retire la batería. Inspeccione minuciosamente la podadora y, de encontrar daños, repárela antes de volver a trabajar.

- Apague el motor antes de vaciar la bolsa recolectora de césped. Asegúrese de que siempre se mantenga una distancia segura (proporcionada por la longitud de los mangos largos) entre el usuario y la carcasa de la podadora. Tenga especial cuidado al podar y cambiar de dirección en pendientes.
- Mantenga con sus pies una posición firme y use calzado resistente y antideslizante, y pantalones largos. Siempre pade a lo largo de una pendiente (no hacia arriba y abajo).
- Tenga especial cuidado al retroceder y jalar la podadora hacia usted, ya que dicha maniobra con la máquina puede hacerle tropezar.
- Para crear eficientemente un mantillo, no corte césped mojado: que tiende a pegarse en el lado inferior de la plataforma de corte, evitando la trituración apropiada del césped cortado. El mejor momento para podar césped es hacia las últimas horas de la tarde, cuando el césped está seco y el área recién cortada no está expuesta a la luz directa del sol.
- Para el mejor triturado posible, establezca la altura de corte para retirar aproximadamente $\frac{1}{3}$ de la altura de césped, idealmente no más de 1.5 plg por vez. Si el césped ha crecido demasiado, puede ser necesario incrementar la altura de corte para hacer más fácil la poda y evitar la sobrecarga del motor. Reduzca su velocidad de corte en áreas con césped alto o grueso. Para triturar césped extremadamente alto o grueso, se recomienda primero cortar a una altura elevada de corte, y luego volver a cortar en la altura de corte final. De otro modo, haga cortes más estrechos y pade más lentamente. **ASEGÚRESE SIEMPRE DE QUE LA CUCHILLA ESTÉ AFILADA.**

Mantenimiento

⚠ ¡ADVERTENCIA! Antes de la limpieza, reparación o inspección de la podadora de césped a rodillo, detenga la máquina, retire la llave de seguridad y la batería, y verifique que todas las partes móviles se hayan detenido por completo.

General

- Mantenga siempre la podadora a rodillo limpia y libre de césped, tierra y otros residuos.
- Mantenga los manillares secos, limpios y sin aceite ni grasa.
- Luego de cada sesión de podado, retire los recortes de césped y residuos acumulados usando un paño seco o cepillo de mano. Usted también puede limpiar el equipo con un paño mojado. No use agentes de

limpieza o solventes agresivos ya que pueden dañar los componentes plásticos en el equipo. Asegúrese de que no entre agua al interior del equipo, ya que el agua puede destruir el mecanismo interruptor, así como el motor eléctrico.

- No limpie la podadora de césped a rodillo con agua corriente, particularmente con agua a alta presión.
- Compruebe que todas las tuercas, pernos y tornillos estén ajustados apropiadamente antes de cada uso.
- Inspeccione frecuentemente la bolsa recolectora de césped para ver si hay señales de desgaste y reemplace inmediatamente con una parte genuina Snow Joe® + Sun Joe® si encuentra daños.
- Reemplace inmediatamente las partes gastadas en exceso o dañadas.

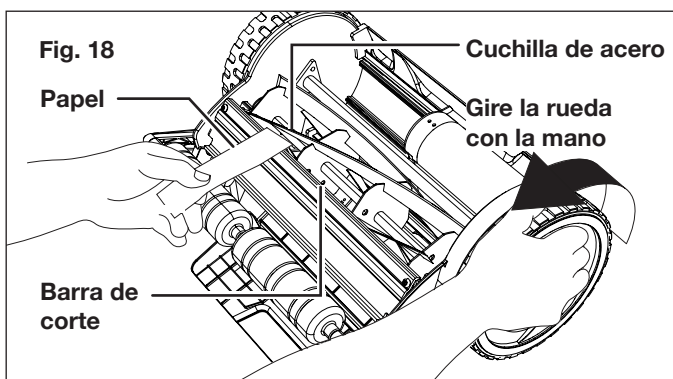
Lubricación

Todos los rodamientos en este producto están lubricados con suficiente cantidad de lubricantes de alto grado para todo el ciclo de vida útil de la unidad bajo condiciones normales de operación. Por tanto, no se requiere una lubricación adicional de los rodamientos.

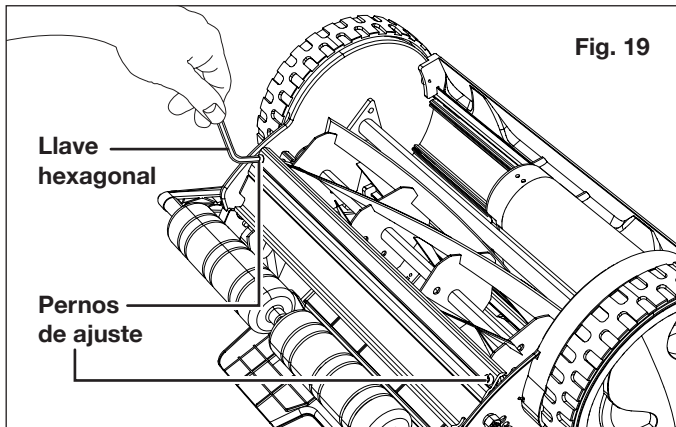
Asegurar un corte limpio

⚠ ¡ADVERTENCIA! Las cuchillas de acero son extremadamente afiladas. Para evitar lesiones personales, no toque las cuchillas mientras haga los ajustes. Pueden ocurrir desalineamientos de las cuchillas, los cuales a menudo son consecuencia de cuchillas demasiado aflojadas o apretadas. Esto puede causar un corte disparejo o dificultad al empujar la podadora.

1. Coloque la podadora en una superficie plana. Retire los manillares y la bolsa recolectora de césped. Voltee la podadora para exponer las cuchillas y la barra de corte.
2. Inserte un pedazo de papel entre las cuchillas de acero y la barra de corte, y luego lentamente gire la rueda con la mano (Fig. 18).



3. Todas las cuchillas deberán cortar el papel de forma pareja, a lo largo de toda la longitud de la barra de corte cuando el rodillo gire lentamente. Repita esta prueba en el otro lado de la podadora.
4. Si la podadora corta el papel de forma intermitente, use la llave hexagonal suministrada para ajustar el perno de ajuste lo más cerca posible a donde se observó el corte intermitente. Ajuste el perno en el extremo apropiado de la barra de corte girándolo en sentido horario aproximadamente un octavo de vuelta hasta que la cuchilla de acero haga contacto con la barra de corte (Fig. 19).



5. Si se hace muy difícil girar la cuchilla a mano mientras se ajustan las cuchillas del rodillo, aleje el perno de ajuste ligeramente girándolo en sentido antihorario. Pruebe de nuevo con un nuevo pedazo de papel para comprobar una acción de corte apropiada.
6. Haga el mismo ajuste en el otro extremo de la barra de corte.

⚠ ¡ADVERTENCIA! Ambos pernos de ajuste deben tener una tensión en el ajuste final. No sobreajuste los pernos de ajuste ya que esto puede dañar las cuchillas.

NOTA: si tiene preguntas o necesita ayuda, comuníquese con la central de servicio al cliente Snow Joe® + Sun Joe® llamando al 1-866-SNOWJOE (1-866-766-9563).

Limpieza y almacenamiento

1. Limpie bien el exterior de la máquina con un cepillo blando y un paño antes de almacenarla. No use agua, solventes o pulidores.
2. Recueste la podadora en un lado para limpiar el área de las cuchillas.

⚠ ¡ADVERTENCIA! No coloque sus manos dentro o cerca del área de corte. Si el césped cortado está acumulado en el área de las cuchillas, retírelo usando una herramienta de limpieza de plástico o de madera apropiada para limpieza de cuchillas.

3. Guarde la podadora en un área seca. No coloque otros objetos encima de la podadora durante su almacenamiento.

Consejos para el mantenimiento

Las podadoras manuales requieren poco mantenimiento. Para un corte consistente, siga las instrucciones siguientes:

- Mantenga siempre la barra de corte ajustada apropiadamente. Consulte el manual de instrucciones para más información.
- Limpie y lubrique regularmente los filos cortantes con aceite en aerosol ligero.

¡IMPORTANTE! Las podadoras manuales tienen dificultad al cortar hierbas altas tales como dientes de león, y a menudo doblarán dichas hierbas en lugar de cortarlas. Póde a menudo para evitar esto.

Eliminación

Reciclaje de la herramienta

- No se deshaga de artefactos como si fueran residuos urbanos sin clasificar. Use instalaciones de recolección aparte.
- Contacte a su agencia gubernamental local para obtener información sobre los sistemas de recolección disponibles.
- Si los artefactos son desechados en rellenos sanitarios o basureros, las sustancias peligrosas pueden contaminar el agua subterránea y entrar en la cadena alimentaria, dañando su salud y bienestar.
- Al reemplazar artefactos viejos con nuevos, el vendedor está obligado legalmente a aceptar su artefacto antiguo para su eliminación, sin costo alguno por parte de usted.

Reciclaje y eliminación

El producto viene en un empaquetado que lo protege contra daños durante el transporte. Conserve el empaquetado hasta que usted esté seguro de que todas las partes hayan venido en este y que el producto esté funcionando adecuadamente. Luego, recicle el empaquetado o consérvelo para un almacenamiento a largo plazo.



Símbolo WEEE. Los productos eléctricos no deben ser desechados en la basura doméstica. Recíclelos donde hayan instalaciones adecuadas. Consulte con las autoridades locales o tienda local para saber sobre las normas de reciclaje.

Precaución y eliminación de la batería

Deshágase de su batería de acuerdo con los reglamentos federales, estatales y locales. Para encontrar lugares de reciclaje, comuníquese con un servicio de reciclaje en su localidad.

⚠ ¡PRECAUCIÓN! Incluso las baterías descargadas contienen algo de energía. Antes de deshacerse de estas, use cinta aislante para cubrir los terminales y evitar que la batería haga cortocircuito, lo cual puede causar una explosión o incendio.

⚠ ¡ADVERTENCIA! Para reducir el riesgo de lesiones personales o explosión, nunca queme ni incinere una batería incluso si está dañada, inservible o completamente descargada. Al ser quemada, los humos y materiales tóxicos son lanzados a la atmósfera circundante.

1. Las baterías varían de acuerdo al dispositivo. Consulte su manual para obtener la información específica.
2. Instale solo nuevas baterías del mismo tipo en su producto (donde corresponda).
3. No insertar las baterías con la polaridad correcta, tal como se indica en el compartimiento de la batería o en el manual, puede reducir el ciclo de vida útil de las baterías o causar fugas en estas.
4. No combine baterías nuevas con antiguas.
5. No combine baterías alcalinas, estándar (de zinc-carbono) o recargables (de níquel-cadmio, de níquel-hidruro metálico o de iones de litio).
6. No arroje las baterías al fuego.
7. Las baterías deben ser recicladas o desechadas según los reglamentos locales y estatales.

Servicio y soporte

Si su podadora de césped inalámbrica a rodillo 24V-CRLM15-CT de Sun Joe® requiere servicio o mantenimiento, comuníquese con la central de servicio al cliente Snow Joe® + Sun Joe® llamando al 1-866-SNOWJOE (1-866-766-9563) para obtener ayuda.

Modelo y número de serie

Al comunicarse con la empresa, ordenar partes de repuesto o programar una reparación en un centro autorizado, usted necesitará proporcionar el modelo y número de serie, los cuales se encuentran en la etiqueta ubicada en la carcasa de la unidad. Copie estos números en el espacio proporcionado a continuación.

<p>Registre los siguientes números que se encuentran en la carcasa o mango de su nuevo producto:</p>																				
<p>Modelo:</p>																				
2	4	V	-	C	R	L	M	1	5	-	C	T								
<p>Nº de serie:</p>																				

Solución de problemas

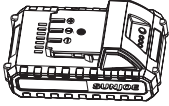
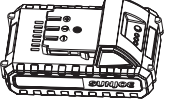


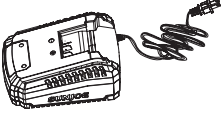
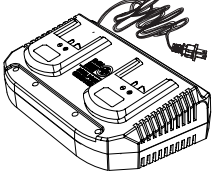
- Retire la batería y la llave de seguridad antes de llevar a cabo tareas de mantenimiento en la máquina o verificar que sus partes estén funcionando correctamente.
- Para evitar complicaciones innecesarias, revise la siguiente tabla antes de ponerse en contacto con un técnico calificado por cualquier problema mecánico.

Problema	Causa posible	Solución
La podadora no enciende.	<ul style="list-style-type: none"> a) La llave de seguridad no está insertada. b) La batería está baja. c) La batería no está insertada de forma segura. d) El control del motor/cuchilla está desactivado. e) La plataforma de podado está obstruida con césped o residuos. f) El césped es demasiado alto. 	<ul style="list-style-type: none"> a) Inserte la llave de seguridad. b) Cargue la batería. c) Conecte la batería a la podadora. Presione la batería hasta que oiga un “clic”. d) Presione primero el botón de trabado de seguridad, y luego la palanca interruptora. e) Limpie la plataforma de podado. Asegúrese de que la cuchilla se mueva libremente. f) Configure la podadora a una altura mayor de corte. Levante levemente las ruedas frontales empujando hacia abajo el manillar.
La podadora se detiene mientras poda.	<ul style="list-style-type: none"> a) La batería está baja. b) El césped es demasiado alto. c) La plataforma de podado está obstruida con césped o residuos. d) La batería o el circuito interno de la podadora están demasiado calientes. 	<ul style="list-style-type: none"> a) Cargue la batería. b) Restablezca la altura de corte. c) Limpie la plataforma de podado. Asegúrese de que la cuchilla se mueva libremente. d) Deje que la batería y la máquina se enfríen.
La podadora no puede cortar césped de forma pareja.	<ul style="list-style-type: none"> a) El césped está grueso o disperejo. b) La cuchilla no está lo suficientemente afilada. 	<ul style="list-style-type: none"> a) Ajuste la altura de corte. b) Afile o reemplace la cuchilla.
La podadora es difícil de empujar.	<ul style="list-style-type: none"> a) El césped es demasiado alto para ser cortado. b) La cuchilla o la parte trasera de la podadora arrastran césped acumulado. c) Hay demasiada tolerancia entre las cuchillas de acero y el cilindro. 	<ul style="list-style-type: none"> a) Incremente la altura de corte. b) Apriete los pernos de ajuste.
La podadora vibra a altas velocidades.	<ul style="list-style-type: none"> a) El eje del motor está doblado. b) La cuchilla está desbalanceada. c) Los pernos de ajuste están aflojados. 	<ul style="list-style-type: none"> a) Detenga el motor, retire la batería, e inspeccione los daños. Comuníquese con un técnico calificado. b) Balancee la cuchilla afilando cada borde de corte equitativamente, o reemplácela con una nueva. c) Apriete los pernos de ajuste.

Solo un especialista de la empresa puede ser capaz de corregir fallas que no puedan ser corregidas con la ayuda de esta tabla. Comuníquese con la central de servicio al cliente Snow Joe® + Sun Joe® llamando al 1-866-SNOWJOE (1-866-766-9563).

Accesorios opcionales

⚠ ¡ADVERTENCIA! USE SIEMPRE solo partes de repuesto y accesorios Snow Joe® + Sun Joe®. NUNCA use partes de repuesto o accesorios que no estén destinados para su uso con esta podadora de césped inalámbrica a rodillo. Comuníquese con Snow Joe® + Sun Joe® si tiene dudas sobre si es seguro usar una parte de repuesto o accesorio en particular con su podadora de césped inalámbrica a rodillo. El uso de cualquier otro accesorio o parte puede ser peligroso y causar lesiones personales o daños mecánicos.

Accesorios	Descripción	Modelo
<p>1</p> 	<p>Batería de iones de litio iON+ de 24 V y 2.0 Ah <i>Tiempo máximo de duración de batería: 25 min (corta hasta 228 m² de césped)</i></p>	24VBAT-LTE
<p>2</p> 	<p>Batería de iones de litio iON+ de 24 V y 2.5 Ah <i>Tiempo máximo de duración de batería: 31 min (corta hasta 285 m² de césped)</i></p>	24VBAT-LT
<p>3</p> 	<p>Batería de iones de litio iON+ de 24 V y 4.0 Ah <i>Tiempo máximo de duración de batería: 50 min (corta hasta 456 m² de césped)</i></p>	24VBAT
<p>4</p> 	<p>Batería de iones de litio iON+ de 24 V y 5.0 Ah <i>Tiempo máximo de duración de batería: 62 min (corta hasta 570 m² de césped)</i></p>	24VBAT-XR
<p>5</p> 	<p>Cargador rápido de batería de iones de litio iON+ de 24 V</p>	24VCHRG-QC
<p>6</p> 	<p>Cargador de dos puertos de baterías de iones de litio iON+ de 24 V</p>	24VCHRG-DPC

NOTA: los accesorios están sujetos a cambios sin obligación alguna por parte de Snow Joe® + Sun Joe®. Los accesorios se pueden ordenar en línea visitando sunjoe.com o por teléfono llamando a la central de servicio al cliente Snow Joe® + Sun Joe® al 1-866-SNOWJOE (1-866-766-9563).



LA PROMESA DE SNOW JOE® + SUN JOE® AL CLIENTE

POR SOBRE TODO, en Snow Joe, LLC (“Snow Joe”) estamos dedicados a usted, nuestro cliente. Nos esforzamos por hacer que su experiencia sea lo más placentera posible. Desafortunadamente, hay veces en que un producto Snow Joe®, Sun Joe®, o Aqua Joe® (el “Producto”) no funciona o sufre un desperfecto bajo condiciones normales de operación. Creemos que es importante que usted sepa que puede confiar en nosotros. Es por eso que tenemos esta Garantía Limitada (la “Garantía”) para nuestros Productos.

NUESTRA GARANTÍA:

Snow Joe garantiza que sus Productos motorizados y no motorizados, nuevos y genuinos, están libres de defectos materiales o de mano de obra al ser usados en tareas domésticas normales durante un periodo de dos (2) años a partir de la fecha de compra por parte del comprador original y usuario final, cuando este último los compra a través de Snow Joe o un vendedor autorizado por Snow Joe y ha obtenido un comprobante de compra. Ya que Snow Joe no puede controlar la calidad de sus Productos vendidos por vendedores no autorizados, a menos que la ley lo prohíba esta Garantía no cubre Productos adquiridos a través de vendedores no autorizados. Si su Producto no funciona, o hay un problema con una parte específica que está cubierta por los términos de esta Garantía, Snow Joe elegirá entre: (1) enviarle una parte de repuesto gratuita; (2) reemplazar el Producto con uno nuevo o similar sin costo alguno; o (3) reparar el Producto. ¡Un excelente soporte!

Esta Garantía le da derechos legales específicos, y usted puede también tener otros derechos según el Estado.

REGISTRO DEL PRODUCTO:

Snow Joe le recomienda enfáticamente registrar su Producto. Usted puede registrar su Producto en línea visitando snowjoe.com/register, imprimiendo y enviando por correo una tarjeta de registro disponible en línea en nuestro sitio Web, llamando a nuestra central de servicio al cliente al **1-866-SNOWJOE (1-866-766-9563)**, o enviándonos un e-mail a help@snowjoe.com. Si usted no registra su Producto sus derechos de garantía no disminuirán; sin embargo, registrar su Producto permitirá que Snow Joe le pueda atender mejor si usted tiene alguna necesidad como cliente.

¿QUIÉN PUEDE SOLICITAR COBERTURA DE GARANTÍA LIMITADA?

Esta Garantía es otorgada por Snow Joe al comprador original y propietario original del Producto.

¿QUÉ NO ESTÁ CUBIERTO?

Esta Garantía no se aplica si el Producto ha sido usado de forma comercial o en aplicaciones no domésticas o de alquiler. Esta Garantía tampoco se aplica si el Producto fue adquirido desde un vendedor no autorizado. Esta garantía tampoco cubre cambios cosméticos que no afecten el funcionamiento del Producto. Las partes desgastables como correas, brocas y cuchillas no están cubiertas por esta Garantía, y pueden ser compradas visitando snowjoe.com o llamando al **1-866-SNOWJOE (1-866-766-9563)**.



A series of 20 horizontal lines for writing, spaced evenly down the page.

TONDEUSE À ROULEAU SANS CORDON – OUTIL SEUL

24 V MAX.* | 35,6 cm

MANUEL D'UTILISATION

Une division de Snow Joe[®], LLC

Modèle 24V-CRLM15-CT

Formulaire n° SJ-24V-CRLM15-CT-880F-MR1

IMPORTANT!

Consignes de sécurité

Tous les utilisateurs doivent lire ces consignes avant d'utiliser la machine.

Suivez toujours ces consignes de sécurité. Ne pas s'y conformer peut entraîner de graves blessures pouvant même être fatales.

AVERTISSEMENTS d'ordre général en matière de sécurité!

Lorsque vous utilisez cette tondeuse à rouleau sans cordon, prenez toujours les précautions élémentaires de sécurité afin de réduire le risque d'incendie, de secousse électrique ou de dommages corporels. Ces précautions sont les suivantes :

⚠️ AVERTISSEMENT! L'utilisation de tout autre accessoire ou pièce attachée pourrait augmenter le risque de dommages corporels.

⚠️ AVERTISSEMENT! Pour réduire le risque de dommages corporels, inspecter fréquemment l'ensemble sac à herbe et le remplacer par une pièce recommandée s'il présente des signes d'usure ou de détérioration.

Avant d'utiliser la tondeuse à rouleau, prenez le temps de vous familiariser avec les commandes, surtout la façon de l'arrêter en cas d'urgence. Les seules personnes qui devraient utiliser la tondeuse à rouleau sont celles qui comprennent parfaitement les instructions et qui savent comment utiliser la machine. Les enfants ne devraient jamais être autorisés à avoir accès à la tondeuse à rouleau.

Conservez ce manuel pour le consulter éventuellement dans le futur et relisez-le au début de chaque saison de tonte de pelouses.

- 1. Éviter les situations dangereuses** – N'utilisez pas la tondeuse à rouleau sous la pluie ou lorsque l'herbe est trempée ou humide.
- 2. Maintenir à l'écart les enfants, les spectateurs et les animaux familiers** – Maintenez toujours les enfants et les spectateurs à bonne distance de la tondeuse à rouleau pendant son utilisation et le refroidissement du moteur.

- 3. S'habiller en conséquence** – Portez toujours un équipement de protection individuelle (c.-à-d., des lunettes, des gants en caoutchouc, des chaussures de protection et un masque antipoussières) et des vêtements appropriés quand vous utilisez la tondeuse à rouleau. Les vêtements amples, les cheveux longs ou les bijoux peuvent se prendre dans les pièces mobiles. Les cheveux longs doivent être ramassés sous un couvre-chef.
- 4. Utiliser la machine appropriée** – N'utilisez pas la tondeuse à rouleau pour un travail autre que celui auquel elle est destinée.
- 5. Ne pas forcer la tondeuse à rouleau** – Elle fonctionnera mieux, sera moins dangereuse et moins susceptible de tomber en panne si elle est utilisée à la vitesse pour laquelle elle a été conçue.
- 6. Ne pas s'arc-bouter** – Restez en permanence sur les deux pieds pour ne pas perdre l'équilibre.
- 7. Rester vigilant** – Soyez toujours à l'affût et surveillez ce que vous faites. Faites preuve de bon sens. N'utilisez pas la tondeuse à rouleau lorsque vous êtes fatigué ou si vous êtes sous l'emprise de l'alcool ou de la drogue. Cette tondeuse à rouleau n'est pas conçue pour être utilisée par des personnes (y compris les enfants) ayant des capacités physiques, sensorielles ou mentales limitées. Elle ne doit pas être utilisée par des personnes manquant d'expérience et/ou de connaissances suffisantes, à moins d'être supervisées par une personne responsable de leur sécurité ou d'avoir reçu des instructions de cette personne sur la façon d'utiliser sans danger la tondeuse.
- 8. Prévenir les démarrages accidentels** – Avant d'insérer le bloc-piles, de saisir la machine ou de la transporter, assurez-vous que l'interrupteur est fermé. Le transport de la machine en maintenant le doigt sur l'interrupteur ou sa mise en marche alors que l'interrupteur est ouvert crée une situation propice aux accidents.
- 9. Retirer la batterie** – Retirez le bloc-piles de la machine avant de procéder à un réglage, de changer d'accessoire ou de la ranger. Ces mesures préventives de sécurité visent à réduire le risque de démarrage accidentel de la machine.
- 10. Remiser la tondeuse à rouleau à l'intérieur lorsqu'elle n'est pas utilisée** – Si vous ne l'utilisez pas, cette machine doit être remise à l'intérieur dans un endroit sec, sous clé et hors de portée des enfants.
- 11. Entretenir soigneusement la tondeuse à rouleau** – Pour qu'ils puissent être utilisés au mieux de leur rendement et sans danger, maintenez les tranchants affûtés et propres.

Inspectez périodiquement le cordon de la tondeuse à rouleau et, s'il est endommagé, faites-le réparer par un centre de réparation agréé. Maintenez les poignées sèches, propres et exemptes d'huile et de graisse.

Sécurité électrique

⚠️ AVERTISSEMENT! Lire en totalité les avertissements

de sécurité et les consignes. Le non-respect des

avertissements et des consignes de sécurité pourrait être à l'origine d'une secousse électrique, d'un incendie et/ou de graves dommages corporels.

1. Rechargez uniquement à l'aide du chargeur spécifié par le fabricant. Un chargeur qui est adapté pour un type de blocs-piles peut présenter un risque d'incendie lorsqu'il est utilisé avec un autre type de blocs-piles.
2. Utilisez le chargeur uniquement avec le type de blocs-piles spécifiquement indiqué. L'utilisation d'un autre type de blocs-piles peut présenter un risque de dommages corporels et d'incendie.
3. Lorsque vous n'utilisez pas le bloc-piles, rangez-le à l'écart d'autres objets métalliques, par exemple les trombones, pièces de monnaie, clés, clous, vis ou autres petits objets métalliques qui peuvent établir un contact entre les deux bornes. Le court-circuit des bornes d'une batterie peut être à l'origine de brûlures ou d'un incendie.
4. Si le bloc-piles n'est pas adapté, du liquide peut s'en échapper; évitez tout contact. En cas de contact accidentel, rincez abondamment à l'eau. En cas de contact du liquide avec les yeux, consultez un médecin. Le liquide qui s'échappe de la batterie peut causer une irritation ou des brûlures.
5. N'utilisez pas un bloc-piles ou un chargeur endommagé ou modifié. Les batteries endommagées ou modifiées peuvent se comporter de manière imprévisible et provoquer un incendie ou une explosion ou présenter un risque de blessure.
6. N'exposez ni bloc-piles ni chargeur à un feu ou une température excessive. Une exposition à un feu ou une température supérieure à 130 °C peut déclencher une explosion.
7. Suivez toutes les instructions de charge du bloc-piles ou de la machine en veillant à ne jamais procéder à cette opération à une température en dehors de la zone de sécurité spécifiée dans ces instructions. Charger une batterie de façon inappropriée ou à une température en dehors de la zone de sécurité spécifiée peut l'endommager et augmenter le risque d'incendie.
8. Ne modifiez pas la machine ou le bloc-piles (le cas échéant) ou n'essayez pas de les réparer, sauf précisions contraires concernant leur utilisation ou leur entretien.

IMPORTANT!

Consignes de sécurité pour les tondeuses poussées

Généralités concernant l'utilisation

- Avant de démarrer, lisez, comprenez et suivez toutes les instructions sur la machine et dans le ou les manuels.
- Ne mettez ni les mains ni les pieds sous la machine. Tenez-vous toujours à l'écart de l'ouverture d'éjection.
- Maintenez les dispositifs de sécurité en place et en bon ordre de marche.
- Seuls les adultes responsables et familiarisés avec les instructions devraient être autorisés à utiliser cette machine.
- Débarrassez la zone à tondre de tout corps étranger, par exemple les roches, fils, jouets et autres éléments divers, susceptibles d'être ramassés et projetés par les lames. Restez derrière le guidon pendant que le moteur tourne.
- Avant de démarrer la machine, assurez-vous qu'il n'y a plus aucun spectateur dans la zone à tondre. Arrêtez la machine si quelqu'un pénètre dans la zone à tondre.
- N'utilisez pas la machine les pieds nus ou chaussés de sandales. Portez toujours des chaussures suffisamment montantes.
- Regardez toujours vers le bas et l'arrière lorsque vous utilisez la tondeuse à reculons.
- Ne dirigez jamais les matières rejetées en direction d'une personne. Évitez de diriger les matières rejetées contre un mur ou tout autre obstacle.
- Ne laissez jamais sans surveillance une machine dont le moteur tourne.
- Arrêtez le moteur et attendez jusqu'à ce que les lames s'arrêtent complètement avant de nettoyer la machine, de retirer le sac à herbe ou de changer d'accessoire.
- Utilisez la machine uniquement à la lumière du jour ou sous un bon éclairage artificiel.
- N'utilisez pas la machine quand vous êtes fatigué ou si vous êtes sous l'emprise de l'alcool ou de la drogue.
- N'utilisez jamais la tondeuse à rouleau dans de l'herbe mouillée. Assurez toujours vos pas; marchez, ne courez jamais lorsque vous utilisez la tondeuse à rouleau.
- Si la machine commence à vibrer d'une manière anormale, arrêtez le moteur et inspectez immédiatement la machine pour rechercher ce qui est à l'origine des vibrations. Les vibrations sont généralement des signes précurseurs d'un problème.
- Maintenez les lames affûtées.
- Gardez les mains et les pieds à bonne distance de l'ensemble de coupe.
- Portez toujours des lunettes de protection quand vous utilisez la machine.

- Les objets heurtés par les lames de la tondeuse à rouleau peuvent causer de graves dommages corporels. Avant chaque tonte de pelouse, la zone à tondre doit toujours être inspectée attentivement et débarrassée de tout corps étranger.
- Si la tondeuse à rouleau heurte quoi que ce soit, suivez ces étapes :
 - i) Arrêtez la tondeuse à rouleau en relâchant le levier marche/arrêt.
 - ii) Retirez la batterie.
 - iii) Inspectez la machine pour vérifier qu'elle n'est pas endommagée.
 - iv) Réparez tout dommage avant de redémarrer et utiliser à nouveau la tondeuse à rouleau.

Utilisation sur terrain pentu

Les terrains pentus sont la cause majeure d'accidents dus à des glissades ou à des chutes et des graves blessures qu'ils peuvent entraîner. L'utilisation d'une tondeuse sur terrain pentu exige une extrême vigilance. Si vous ne vous sentez pas à l'aise sur un terrain pentu, ne le tondez pas.

- Tondez en travers de la pente, jamais en montant ou en descendant. Faites preuve d'une extrême prudence quand vous changez de direction sur un terrain pentu.
- Faites attention aux trous, aux ornières, aux bosses, aux roches et à tout ce qui peut être caché. Ils peuvent vous faire glisser ou tomber sans prévenir.
- Ne tondez pas de l'herbe mouillée ou des pelouses excessivement pentues. Si vous êtes instable sur vos deux pieds, vous risquez de glisser ou de tomber.
- Ne tondez pas à proximité d'à-pics, de fossés ou de talus. Vous pourriez perdre l'équilibre.

Enfants

Des accidents tragiques peuvent se produire si l'utilisateur ne fait pas attention à la présence d'enfants. Les enfants font souvent preuve d'une grande curiosité à l'égard de la machine et de l'opération de tonte elle-même. Ne supposez jamais que les enfants resteront là où vous les avez vus pour la dernière fois.

- Maintenez les enfants à l'écart de la zone à tondre et sous la stricte surveillance d'un adulte responsable autre que l'utilisateur.
- Soyez vigilant et arrêtez la tondeuse si un enfant pénètre dans la zone de travail.
- Ne laissez jamais un enfant utiliser la machine.
- Redoublez d'attention en approchant les coins aveugles, les buissons, les arbres ou tout ce qui pourrait vous empêcher de voir un enfant.

Entretien et réparation

- Avant d'entretenir ou de réparer la tondeuse à rouleau, de la nettoyer ou de retirer l'herbe accumulée dessous, arrêtez la machine et retirez la clé de sécurité, puis la batterie.
- Maintenez serrés tous les écrous et boulons.
- Ne trafiquez jamais les dispositifs de sécurité. Faites des vérifications régulières pour vous assurer que ces dispositifs sont en place et en bon ordre de marche.
- Débarrassez la tondeuse à rouleau de toute accumulation d'herbe, feuilles ou autres débris.
- N'effectuez jamais de réglages ou de réparations lorsque le moteur tourne. Débranchez toujours votre tondeuse électrique avant de la régler, de la nettoyer ou de la réparer.
- Vérifiez fréquemment les composants du sac à herbe et, au besoin, remplacez-les par des pièces recommandées par le fabricant.
- Les lames de la tondeuse sont affûtées. Enveloppez les lames ou portez des gants et faites preuve d'une extrême prudence quand vous les réparez.
- Maintenez visibles les étiquettes de sécurité et d'instructions ou, le cas échéant, remplacez-les.
- Si votre machine électrique nécessite d'être réparée, communiquez avec un revendeur Snow Joe® + Sun Joe® agréé ou appelez le service à la clientèle Snow Joe® + Sun Joe® au 1-866-SNOWJOE (1-866-766-9563). Pour les réparations, il faut uniquement utiliser des pièces de rechange identiques. C'est à ce prix que la sécurité de la machine électrique sera préservée.
- Si le câble du chargeur de batterie est endommagé, il doit être immédiatement remplacé pour éviter tout danger. Communiquez avec le service à la clientèle Snow Joe® + Sun Joe® en appelant le 1-866-SNOWJOE (1-866-766-9563) pour de l'aide.

Consignes de sécurité concernant la batterie et le chargeur

REMARQUE : ce produit comprend seulement l'outil. La batterie et le chargeur ne sont pas inclus. Ils doivent être achetés séparément.

Le modèle 24V-CRLM15-CT est compatible avec les batteries et chargeurs du système iON+ 24V. Pour plus de renseignements, voir la page 57.

Nous avons consacré beaucoup de temps à la conception de chaque bloc-piles afin de nous assurer de vous fournir des batteries qui peuvent être utilisées sans danger, sont robustes et ont une énergie volumique élevée. Les cellules de la batterie sont dotées d'un large éventail de dispositifs de sécurité. Chaque cellule individuelle est initialement formatée et ses courbes électriques caractéristiques sont enregistrées. Ces

données sont ensuite utilisées exclusivement pour pouvoir assembler les meilleurs blocs-piles possibles.

Malgré toutes ces mesures de précaution, il faut toujours faire preuve de prudence lors de la manipulation de batteries. Pour utiliser sans danger les batteries, les points suivants doivent être observés en permanence. L'utilisation sans danger peut uniquement être garantie si les cellules sont intactes. Toute manipulation inappropriée d'un bloc-piles peut endommager les cellules.

IMPORTANT! Les analyses confirment que la mauvaise utilisation de batteries à haut rendement et un entretien laissant à désirer sont les principaux facteurs responsables de dommages corporels et/ou matériels.

⚠️ AVERTISSEMENT! Utiliser uniquement des batteries de rechange homologuées. Les autres types de batteries peuvent endommager la tondeuse à rouleau sans cordon et empêcher son bon fonctionnement, ce qui peut entraîner de graves dommages corporels.

⚠️ AVERTISSEMENT! Ne pas utiliser une machine ou un bloc-piles endommagé ou modifié. Les batteries endommagées ou modifiées peuvent se comporter de manière imprévisible et provoquer un incendie ou une explosion ou présenter un risque de dommages corporels. Ne modifiez pas la machine ou le bloc-piles ou n'essayez pas de les réparer, sauf précisions contraires concernant leur utilisation ou leur entretien. Faites réparer ou entretenir votre bloc-piles par un réparateur qualifié utilisant uniquement des pièces de rechange identiques. C'est à ce prix que la sécurité du bloc-piles sera préservée.

⚠️ MISE EN GARDE! Pour réduire le risque de dommages corporels, chargez le bloc-piles au lithium-ion 24 V Sun Joe® uniquement dans le chargeur au lithium-ion Sun Joe® spécifiquement prévu à cet effet. Les autres types de chargeurs présentent des risques d'incendie et de dommages corporels et matériels. Ne pas brancher la batterie sur le secteur ou sur l'allume-cigare d'une voiture. Le bloc-piles serait définitivement et irrémédiablement endommagé.

- **Éviter les endroits dangereux** – Ne chargez pas le bloc-piles sous la pluie, sous la neige ou dans les endroits humides. N'utilisez pas le bloc-piles ou le chargeur lorsque l'atmosphère est explosive (effluents gazeux, poussière ou matières inflammables), des étincelles pouvant se produire lors de l'insertion ou la dépose du bloc-piles, ce qui pourrait provoquer un incendie.
- **Charger dans un endroit bien ventilé** – N'obstruez pas les fentes d'aération du chargeur. Dégagez le voisinage immédiat du chargeur pour qu'il soit bien ventilé. Interdisez de fumer et n'autorisez la présence d'aucune flamme nue à proximité d'un bloc-piles se chargeant. Le gaz dispersé dans l'atmosphère peut exploser.

REMARQUE : la zone de sécurité de températures pour la batterie se situe entre 5 °C et 40,5 °C. Ne chargez pas la

batterie à l'extérieur lorsqu'il gèle, chargez-la à température ambiante.

- **Prendre soin du cordon du chargeur** – Lorsque vous débranchez le chargeur, afin d'éviter d'endommager la fiche électrique et le cordon, tirez sur la fiche dans la prise et non sur le cordon. Ne tirez jamais le chargeur par le cordon et ne tirez pas brusquement sur le cordon pour le retirer de la prise. Maintenez le cordon éloigné de la chaleur, de l'huile et des arêtes vives. Pendant l'utilisation du chargeur, assurez-vous que personne ne marche sur le cordon, ne trébuche dessus et qu'il ne peut être ni endommagé ni soumis à des tensions ou des pressions. N'utilisez pas le chargeur si sa fiche ou son cordon est endommagé. Remplacez immédiatement tout chargeur endommagé.
- **Ne pas utiliser de rallonge électrique, sauf nécessité absolue** – L'utilisation d'une rallonge électrique mal adaptée, endommagée ou mal branchée présente des risques d'incendie et de secousse électrique. S'il s'avère nécessaire d'utiliser une rallonge électrique, branchez le chargeur dans une rallonge électrique de calibre 16 ou plus gros, la fiche femelle correspondant à la fiche mâle sur le chargeur. Vérifiez que la rallonge électrique est en bon état.
- **Utiliser uniquement les accessoires recommandés** – L'utilisation d'un accessoire non recommandé ou vendu par le fabricant du chargeur de batterie ou du bloc-piles présente des risques d'incendie, de secousse électrique ou de dommages corporels.
- **Débrancher le chargeur lorsqu'il n'est pas utilisé** – Assurez-vous de retirer le bloc-piles lorsque le chargeur est débranché.

⚠️ AVERTISSEMENT! Pour réduire le risque de secousse électrique, toujours débrancher le chargeur avant d'effectuer un nettoyage ou un entretien. Ne pas laisser d'eau couler dans le chargeur. Pour réduire le risque de secousse électrique, utiliser un disjoncteur différentiel de fuite de terre (DDFT).

- **Ne pas brûler ou incinérer les blocs-piles** – Les blocs-piles peuvent exploser et entraîner des dommages corporels ou matériels. Des vapeurs et des particules toxiques se dégagent des blocs-piles qui brûlent.
- **Ne pas écraser, faire tomber ou endommager les blocs-piles** – N'utilisez pas le bloc-piles ou le chargeur s'il a reçu un coup brutal, s'il est tombé, s'il a été écrasé ou endommagé d'une façon ou d'une autre (c.-à-d., percé par un clou, frappé d'un coup de marteau, foulé au pied, etc.).
- **Ne pas démonter** – Un remontage mal effectué peut poser un risque important de secousse électrique, d'incendie ou d'exposition aux produits chimiques toxiques de la batterie. Si la batterie ou le chargeur est endommagé, veuillez communiquer avec un revendeur Snow Joe® + Sun Joe® agréé ou appeler le service à la clientèle Snow Joe® + Sun Joe® au 1-866-SNOWJOE (1-866-766-9563) pour de l'aide.
- **Les produits chimiques de la batterie peuvent occasionner de graves brûlures** – Ne laissez jamais un

bloc-piles endommagé entrer en contact avec la peau, les yeux ou la bouche. Si un bloc-piles endommagé laisse fuir des produits chimiques, utilisez des gants en caoutchouc ou en néoprène pour les éliminer sans danger. Si la peau est entrée en contact avec des fluides de batterie, lavez la zone affectée à l'eau et au savon et rincez au vinaigre. Si les yeux sont entrés en contact avec des produits chimiques de batterie, rincez immédiatement à grande eau pendant 20 minutes et consultez un médecin. Retirez les vêtements contaminés et jetez-les.

- **Ne pas provoquer de court-circuit** – Un court-circuit se produira si un objet en métal relie les contacts positif et négatif du bloc-piles. Ne placez aucun bloc-piles près de tout ce qui peut provoquer un court-circuit, par exemple un trombone, une pièce de monnaie, une clé, une vis, un clou ou tout autre objet métallique. Un bloc-piles en court-circuit présente un risque d'incendie et peut blesser gravement.
- **Ranger le bloc-piles et son chargeur dans un endroit frais et sec** – Ne rangez pas le bloc-piles ou le chargeur lorsque la température peut être supérieure à 40,5 °C, par exemple directement sous les rayons du soleil, à l'intérieur d'un véhicule ou dans un cabanon en métal pendant l'été.

Renseignements sur la batterie

1. Pour que la batterie fonctionne de manière optimale, évitez d'attendre que le bloc-piles soit presque déchargé et chargez-le fréquemment.
2. Rangez le bloc-piles dans un endroit frais, idéalement à 25 °C et chargez au moins à 40 %.
3. Les batteries au lithium-ion s'usent naturellement avec le temps. Le bloc-piles doit être remplacé au plus tard lorsque sa capacité chute à 80 % de sa capacité d'origine, neuf. Les cellules affaiblies dans un bloc-batterie usé ne peuvent plus produire la forte intensité exigée pour que votre tondeuse à rouleau fonctionne normalement, ce qui présente un risque pour la sécurité.
4. Ne jetez pas les blocs-piles dans un feu nu, ils pourraient exploser.
5. Ne mettez pas le feu aux blocs-piles et ne les exposez pas à une flamme.
6. Ne déchargez pas la batterie jusqu'à son épuisement. Toute décharge jusqu'à épuisement de la batterie endommagera ses cellules. Le rangement prolongé et la non-utilisation de batteries partiellement déchargées sont les causes les plus communes de décharge de batterie jusqu'à épuisement. Arrêtez votre travail dès que vous remarquez que la puissance de la batterie chute ou dès que le système de protection électronique se déclenche. Rangez le bloc-piles uniquement s'il est à charge complète.
7. Protégez la batterie et la machine contre les surcharges. Les surcharges donneront rapidement lieu à une surchauffe et endommageront les cellules à l'intérieur du compartiment à batterie, même si cette surchauffe n'est pas visible de l'extérieur.
8. Évitez d'endommager la batterie et de la soumettre à des chocs. Remplacez immédiatement toute batterie qui est

tombée d'une hauteur supérieure à un mètre ou qui a été soumise à des chocs violents, même si le boîtier du bloc-piles ne semble pas endommagé. Les cellules à l'intérieur de la batterie peuvent avoir été gravement endommagées. Dans ce cas, veuillez lire les renseignements sur l'élimination des déchets en ce qui concerne les batteries.

9. Si un bloc-piles souffre d'une surcharge ou d'une surchauffe, le coupe-circuit de protection intégré coupe le moteur de la machine pour des raisons de sécurité.

IMPORTANT! N'appuyez plus sur l'interrupteur marche/arrêt si le coupe-circuit de protection a été activé. Ceci pourrait endommager le bloc-piles.

10. Utilisez uniquement des blocs-piles d'origine. L'utilisation d'autres batteries présente un risque d'incendie et pourrait provoquer des blessures ou une explosion.

Renseignements sur le chargeur et le processus de charge

1. Veuillez vérifier les données marquées sur la plaque signalétique du chargeur de batterie. Veuillez à brancher le chargeur de batterie sur une source d'alimentation correspondant à la tension indiquée sur la plaque signalétique. Ne le branchez jamais sur une tension de secteur différente.
2. Protégez le chargeur de batterie et son cordon pour éviter de les endommager. Maintenez le chargeur et son cordon éloignés de la chaleur, de l'huile et des arêtes tranchantes. Faites réparer sans délai les cordons endommagés par un technicien qualifié chez un revendeur Snow Joe® + Sun Joe® agréé ou appelez le service à la clientèle Snow Joe® + Sun Joe® au 1-866-SNOWJOE (1-866-766-9563).
3. Les fiches électriques doivent correspondre à la prise. N'apportez aucune modification, quelle qu'elle soit, à la fiche. N'utilisez pas de fiche d'adaptation avec les outils ou machines mis à la terre. Des fiches non modifiées et des prises correspondantes réduiront le risque de secousse électrique.
4. Maintenez hors de portée des enfants le chargeur de batterie, le bloc-piles et la machine sans cordon.
5. Le bloc-piles devient chaud après une utilisation prolongée. Laissez le bloc-piles se refroidir à la température ambiante avant de l'insérer dans le chargeur pour le recharger.
6. Ne chargez pas trop la batterie. Ne dépassez pas le temps maximal de charge. Ces temps de charge ne s'appliquent qu'aux batteries déchargées. L'insertion fréquente d'un bloc-piles chargé ou partiellement chargé provoquera une surcharge et endommagera les cellules. Ne laissez pas la batterie dans le chargeur pendant plusieurs jours consécutifs.
7. N'utilisez ou ne chargez jamais une batterie si vous soupçonnez qu'il y a plus de 12 mois qu'elle a été chargée pour la dernière fois. Il est extrêmement probable que le bloc-piles soit déjà dangereusement endommagé (décharge jusqu'à épuisement complet).
















8. Si vous chargez une batterie à une température inférieure à 5 °C, vous endommagez les produits chimiques des cellules, ce qui peut provoquer un incendie.
9. N'utilisez pas les batteries qui ont été exposées à la chaleur pendant leur charge, car les cellules de batterie peuvent avoir été dangereusement endommagées.
10. N'utilisez pas les batteries qui se sont bombées ou ont subi des déformations pendant le processus de charge, ni celles présentant d'autres symptômes atypiques (échappement de gaz, sifflement, fissures, etc.).
11. Ne déchargez jamais complètement un bloc-piles (le niveau maximal de décharge est de 80 %). La décharge totale du bloc-piles entraînera le vieillissement prématuré des cellules de la batterie.

Protection contre les influences environnementales

1. Portez des vêtements de travail adaptés. Portez des lunettes de sécurité.
2. Protégez votre machine sans cordon et le chargeur de batterie contre l'humidité et la pluie. L'humidité et la pluie peuvent endommager dangereusement les cellules.
3. N'utilisez pas la machine sans cordon ou le chargeur de batterie près de vapeurs ou de liquides inflammables.
4. Utilisez le chargeur de batterie et les outils ou machines sans cordon uniquement en milieu sec et à une température ambiante comprise entre 5 °C et 40,5 °C.
5. Ne conservez pas le chargeur de batterie dans les endroits où la température est susceptible d'être supérieure à 40,5 °C. Ne laissez surtout pas le chargeur de batterie dans une voiture qui stationne au soleil.
6. Protégez les batteries contre les surcharges. Les surcharges et l'exposition directe aux rayons du soleil entraînent une surchauffe des cellules et les endommagent. Ne chargez ou n'utilisez jamais une batterie qui a surchauffé : au besoin, remplacez-la immédiatement.
7. Rangez le chargeur et votre machine sans cordon uniquement dans un endroit sec où la température ambiante est comprise entre 5 °C et 40,5 °C. Rangez votre bloc-piles au lithium-ion dans un endroit frais et sec à une température de 25 °C. Protégez le bloc-piles, le chargeur et la machine sans cordon contre l'humidité et les rayons du soleil. Rangez uniquement les batteries à charge complète (chargées au minimum à 40 %).
8. Empêchez le bloc-piles au lithium-ion de geler. Les blocs-piles qui ont été stockés à une température inférieure à 0 °C pendant plus de 60 minutes doivent être éliminés.
9. Lorsque vous manipulez une batterie, prenez garde aux décharges électrostatiques, car elles peuvent endommager le système de protection électronique et les cellules de batterie. Évitez de produire des charges électrostatiques et ne touchez jamais les pôles de batterie.

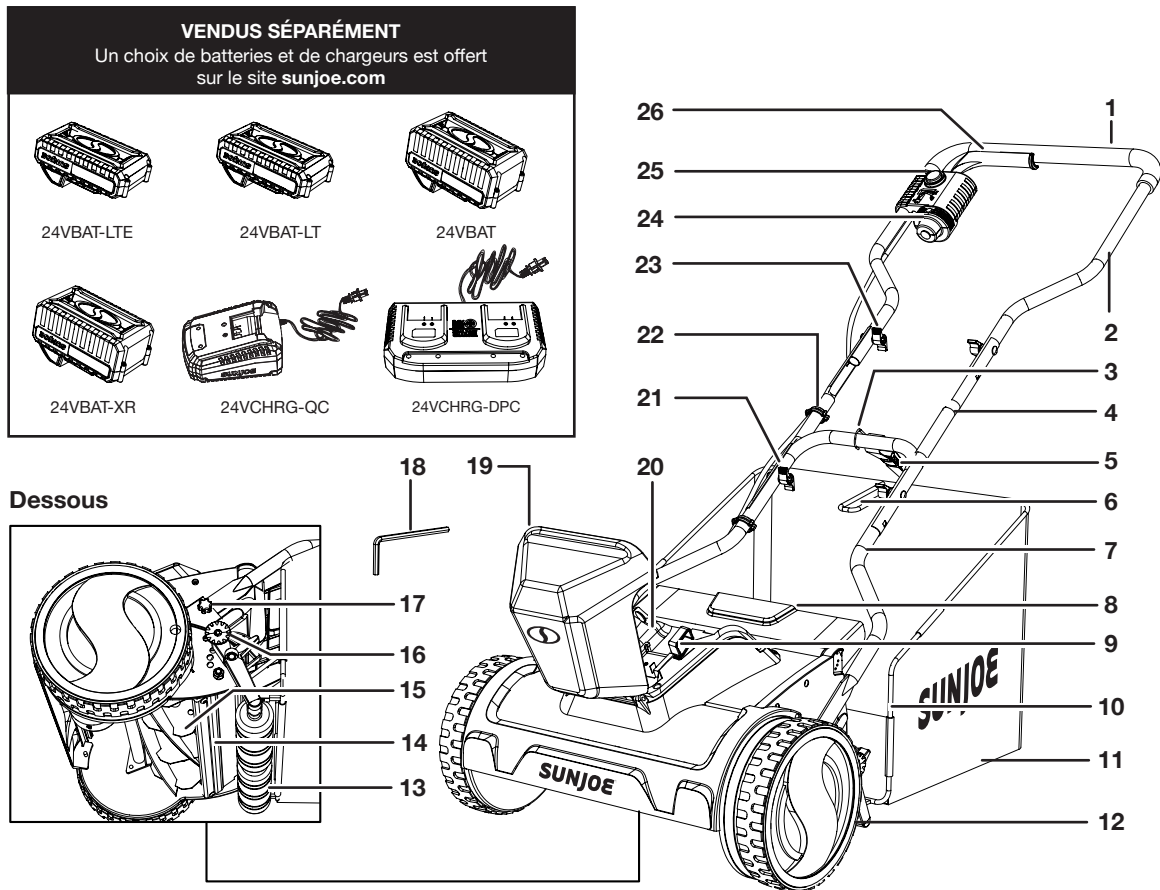
Symboles de sécurité

Le tableau suivant décrit et explique les symboles de sécurité pouvant être marqués sur cette machine. Avant de procéder à son assemblage et de l'utiliser, lisez, comprenez et suivez toutes les instructions sur cette machine.

Symboles	Descriptions	Symboles	Descriptions
	DANGER! Lames rotatives. Garder mains et pieds à distance.		Maintenir les spectateurs et les enfants à une distance de sécurité suffisante.
	Alerte de sécurité. Mise en garde. Pour réduire le risque de dommages corporels, l'utilisateur doit lire le manuel d'utilisation.		Porter une protection oculaire et une protection de l'ouïe. Pour éviter de se blesser, porter des protecteurs d'oreilles et des lunettes de sécurité.
	AVERTISSEMENT! Ne pas utiliser la machine sous la pluie ou par forte humidité. Garder la machine au sec.		Porter des gants de protection et des chaussures antidérapantes pour utiliser la machine et manipuler les débris.
	Risque de glissade sur terrain pentu - Pour éviter toute glissade ou chute accidentelle, faire preuve d'une extrême prudence en tondant sur des pentes.		Sectionnement des orteils ou des doigts par les lames rotatives de la tondeuse.
	La projection d'objets et les lames rotatives peuvent provoquer de graves blessures.		Maintenir les spectateurs à bonne distance de la zone de travail.
	Les lames continuent de tourner après avoir coupé le moteur de la machine.		AVERTISSEMENT! Toujours arrêter la machine et retirer la clé de sécurité avant toute inspection, tout nettoyage ou tout entretien.
	Lames rotatives : tenir les mains et les pieds éloignés de l'ouverture quand la machine est en marche.		Regardez vers l'arrière quand vous utilisez la tondeuse à reculons.
	Utilisation uniquement à l'intérieur. Utiliser uniquement le chargeur de batterie à l'intérieur.		

Apprenez à mieux connaître votre tondeuse à rouleau sans cordon

Avant d'utiliser la tondeuse à rouleau, lisez attentivement le manuel d'utilisation et les consignes de sécurité. Comparez l'illustration ci-dessous avec votre tondeuse à rouleau afin de vous familiariser avec l'emplacement des différents réglages et commandes. Conservez ce manuel pour pouvoir le consulter dans le futur.



- | | | |
|-------------------------------------|---|--|
| 1. Poignée rembourrée | 10. Sac à herbe Tige-support de | 19. Couverture de compartiment à batterie |
| 2. Cadre supérieur de guidon | 11. Sac à herbe | 20. Compartiment à batterie |
| 3. Crochet de sangle | 12. Roue (2) | 21. Bouton et boulon de cadre inférieur de guidon (2 jeux) |
| 4. Tube intermédiaire de guidon (2) | 13. Rouleau | 22. Serre-câble (2) |
| 5. Sangle de blocage | 14. Barre de coupe | 23. Bouton et boulon de cadre supérieur de guidon (2 jeux) |
| 6. Poignée du sac à herbe | 15. Lames d'acier | 24. Boîtier d'interrupteurs |
| 7. Cadre inférieur de guidon | 16. Bouton de réglage de hauteur (2) | 25. Bouton-poussoir de sécurité |
| 8. Volet d'éjection | 17. Bouton de cadre inférieur de guidon (2) | 26. Levier marche/arrêt |
| 9. Clé de sécurité | 18. Clé hexagonale | |

Données techniques

Moteur	360 W
Tension max. de batterie*	24 VCC
Capacité de la batterie	Pour les options et spécifications de batteries, voir la page 57
Autonomie max.	Pour les options et spécifications de batteries, voir la page 57
Régime à vide	1 000 tr/min
Rotor	5 lames d'acier
Largeur de coupe	38 cm
4 positions de hauteur de coupe	15 mm 28 mm 39 mm 50 mm
Capacité du sac à herbe	45 l
Poids net	12,5 kg

*Tension initiale à vide; grimpe à 24 volts une fois complètement chargée; la tension nominale sous charge typique est de 21,6 volts.

Déballage

Contenu de la caisse

- Caisson de tondeuse à rouleau avec cadre supérieur de guidon attaché
 - Tube intermédiaire de guidon (2)
 - Cadre inférieur de guidon
 - Sac à herbe
 - Tige-support de sac à herbe
 - Boutons et boulons de guidon (4 jeux)
 - Bouton de cadre inférieur de guidon (2)
 - Serre-câble (2)
 - Clé de sécurité
 - Clé hexagonale
 - Manuel et carte d'enregistrement
1. Retirez soigneusement la tondeuse à rouleau de la caisse et inspectez-la pour vérifier que tous les éléments énumérés ci-dessus sont fournis.
 2. Inspectez soigneusement le contenu pour vous assurer qu'aucun élément ne s'est cassé ou n'a été endommagé pendant le transport.

REMARQUE : ne jetez pas la caisse d'expédition et l'emballage tant que vous n'êtes pas prêt à utiliser votre nouvelle tondeuse à rouleau sans cordon. L'emballage est fabriqué dans des matériaux recyclables. Éliminez ces matériaux de façon appropriée et conformément aux réglementations locales.

IMPORTANT! Le produit et son emballage ne sont pas des jouets. Ne laissez pas les enfants jouer avec les sacs en plastique, les feuilles métalliques ou les petites pièces. Ces éléments peuvent être avalés et risquent de provoquer une suffocation!

Utilisation du bloc-piles

La machine est alimentée par une batterie au lithium-ion. Le bloc-piles est entièrement scellé et sans entretien.

OUTIL SEUL





BATTERIE ET CHARGEUR VENDUS SÉPARÉMENT

Pour utiliser cette tondeuse à rouleau sans cordon, il vous faut une batterie et un chargeur du système iON+ 24V. Pour les options et spécifications de batteries et de chargeurs, veuillez consulter la page 57 ou vous rendre sur le site sunjoe.com pour plus de renseignements.

Témoins de charge de batterie

Le bloc-piles est équipé d'un bouton-poussoir pour vérifier le niveau de charge. Appuyez simplement sur le bouton-poussoir pour lire le niveau de charge de la batterie à l'aide des témoins de charge :

- Les témoins de charge sont tous les trois allumés : le niveau de charge de batterie est élevé.
- Deux témoins indicateurs de niveau sont allumés : le niveau de charge de batterie diminue. Arrêtez votre travail dès que possible.
- Un témoin indicateur de niveau est allumé : la batterie est épuisée. Arrêtez IMMÉDIATEMENT votre travail et chargez la batterie. Sinon, la durée de vie de la batterie sera considérablement raccourcie.

Témoins	Indications de charge
	Bouton de niveau de charge
	La batterie est à 30 % de sa capacité et nécessite d'être chargée
	La batterie est à 60 % de sa capacité et nécessite d'être chargée bientôt
	La batterie est à charge complète

REMARQUE : si le bouton de niveau de charge ne semble pas fonctionner, insérez le chargeur et chargez au besoin.

REMARQUE : immédiatement après avoir utilisé le bloc-piles, le bouton de niveau de charge peut afficher une charge plus faible que si la vérification avait eu lieu quelques minutes plus tard. Les cellules de la batterie « récupèrent » une partie de leur charge après une période de repos.

Utilisation du chargeur

⚠ AVERTISSEMENT! Charger uniquement le bloc-piles au lithium-ion 24 V Sun Joe® dans le chargeur de batterie au lithium-ion 24 V Sun Joe® compatible. Les autres types de batteries peuvent entraîner des dommages corporels et matériels.

Pour réduire le risque de secousse électrique, ne laissez pas d'eau couler dans la fiche du chargeur CA/CC.

OUTIL SEUL

BATTERIE ET CHARGEUR VENDUS SÉPARÉMENT

Pour utiliser cette tondeuse à rouleau sans cordon, il vous faut une batterie et un chargeur du système iON+ 24V. Pour les options et spécifications de batteries et de chargeurs, veuillez consulter la page 57 ou vous rendre sur le site sunjoe.com pour plus de renseignements.

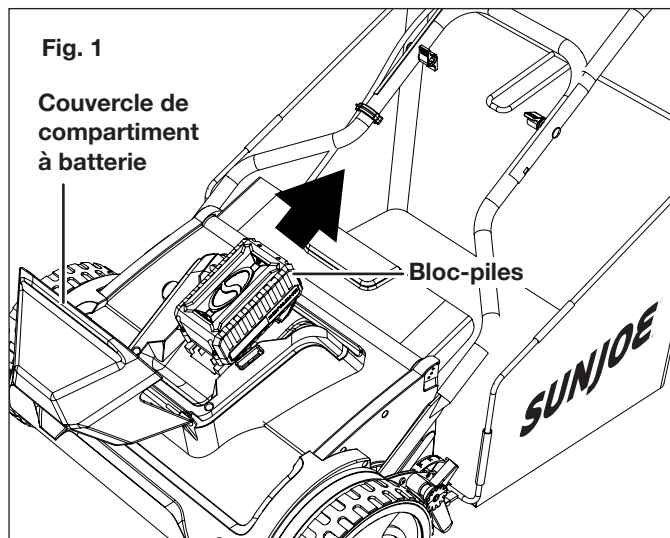
Quand charger la batterie au lithium-ion iON+ 24V

REMARQUE : le bloc-piles au lithium-ion iON+ 24V ne présente pas « d'effet mémoire » quand il est chargé après une simple décharge partielle. C'est pourquoi il n'est pas nécessaire d'épuiser le bloc-piles avant d'insérer la fiche du chargeur.

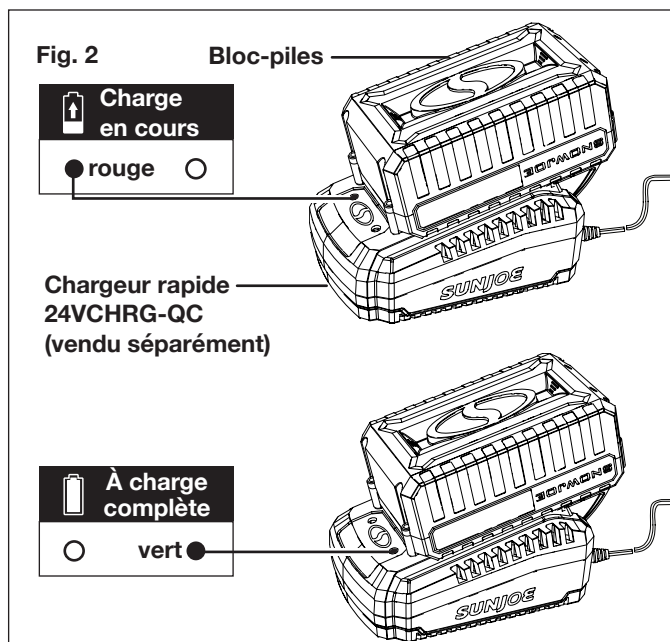
- Utilisez les témoins de charge pour déterminer quand charger votre bloc-piles au lithium-ion iON+ 24V.
- Vous pouvez « compléter » la charge du bloc-piles avant de démarrer un gros travail ou après une longue journée d'utilisation.

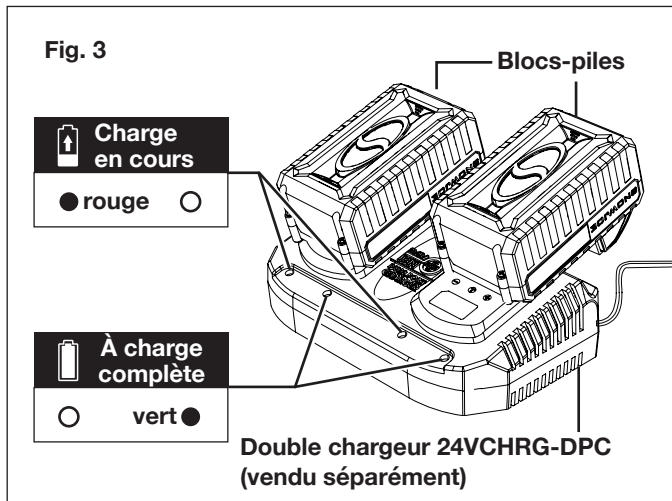
Comment charger la batterie

1. Pour retirer la batterie de son compartiment, ouvrez le couvercle du compartiment à batterie et appuyez sur le bouton-poussoir de verrouillage sur la batterie (Fig. 1).



2. La façon de recharger votre batterie au lithium-ion dépend de votre modèle de chargeur Snow Joe® + Sun Joe®. Vous pouvez insérer votre batterie de 24 V dans le chargeur rapide 24VCHRG-QC (vendu séparément) ou dans le double chargeur 24VCHRG-DPC (vendu séparément) (Fig. 2 et 3).





3. Les témoins de charge de batterie s'allumeront un par un pendant le processus de charge. Débranchez immédiatement le chargeur lorsque les témoins de charge sont tous les trois allumés.
4. Le chargeur rapide 24VCHRG-QC (vendu séparément) et le double chargeur 24VCHRG-DPC (vendu séparément) sont également dotés de témoins de charge supplémentaires qui indiquent le statut de charge (Fig. 2 et 3).

⚠ MISE EN GARDE! RISQUE D'INCENDIE. Pour déconnecter le chargeur de la batterie, s'assurer de débrancher d'abord le chargeur de la prise, puis de retirer la batterie du chargeur.

⚠ AVERTISSEMENT! Ce chargeur ne s'éteint pas automatiquement lorsque la batterie est à charge complète. Veiller à ne pas laisser la batterie insérée dans le chargeur. Éteindre le chargeur ou le débrancher du secteur une fois que la batterie est à charge complète.

5. Recharger la batterie au moment opportun prolongera sa durée de vie. Vous devez recharger le bloc-piles lorsque vous remarquez une chute de puissance de la machine.

IMPORTANT! Ne laissez jamais le bloc-piles se décharger complètement, car ceci l'endommagerait irrémédiablement.

6. Une fois que le bloc-piles est à charge complète, retirez-le du chargeur en appuyant sur les boutons-poussoirs de verrouillage et en le faisant glisser vers l'arrière pour le dégager du chargeur.

Assemblage

⚠ AVERTISSEMENT! Ne pas insérer la batterie et la clé de sécurité tant que l'assemblage n'est pas terminé. Ne pas tenir compte de cet avertissement peut entraîner un démarrage accidentel et de graves dommages corporels.

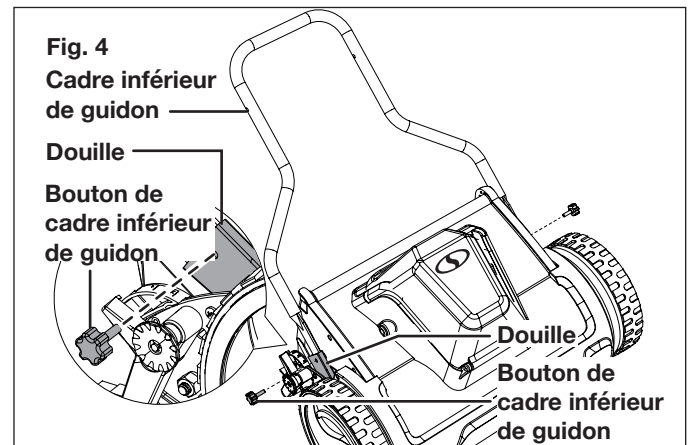
⚠ AVERTISSEMENT! Avant d'effectuer le moindre entretien, s'assurer que la batterie et la clé de sécurité sont retirées de la machine. Toute personne ne tenant pas compte de cet avertissement s'expose à de graves dommages corporels.

⚠ AVERTISSEMENT! La machine doit être complètement assemblée avant de pouvoir l'utiliser. Ne pas utiliser une machine qui n'est assemblée que partiellement ou avec des pièces endommagées.

REMARQUE : avant d'utiliser la tondeuse à rouleau, suivez ces instructions pour l'assembler.

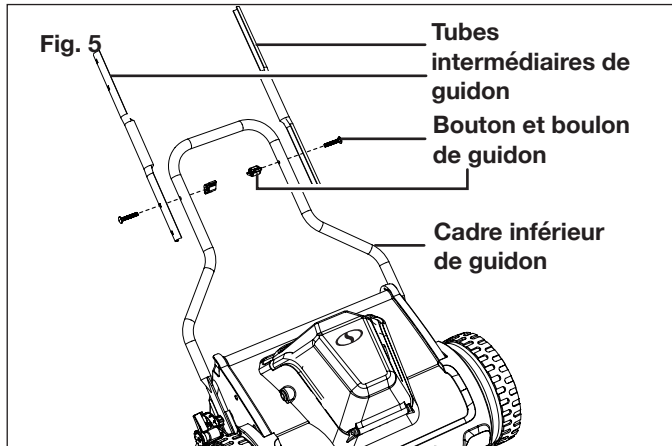
Assemblage du guidon

1. Insérez les extrémités du cadre inférieur de guidon dans les douilles des deux côtés du châssis de la tondeuse. Verrouillez à l'aide des boutons de cadre inférieur de guidon fournis (Fig. 4).

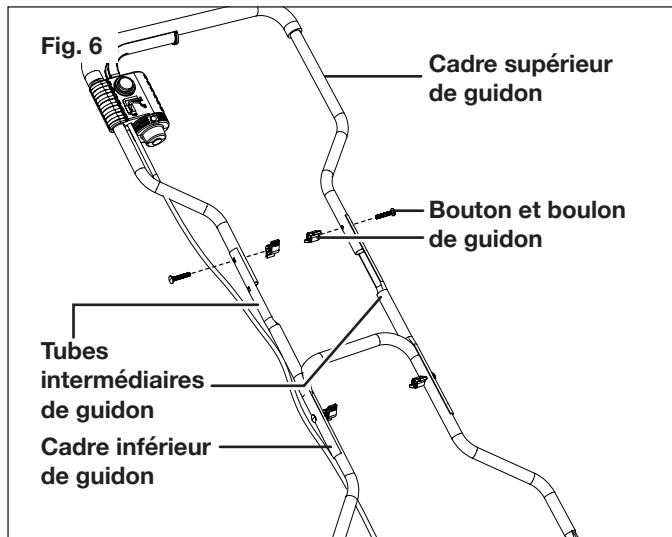


2. Attachez les tubes intermédiaires de guidon des deux côtés du cadre inférieur de guidon, en alignant les trous. Utilisez pour cela deux jeux de boutons et boulons de guidon (Fig. 5).

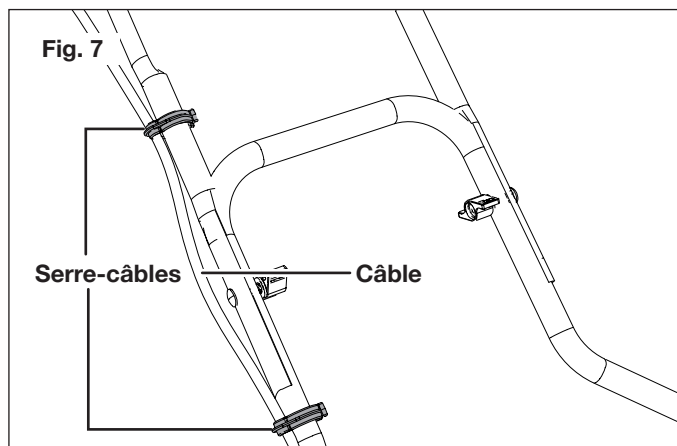
REMARQUE : chaque tube intermédiaire de guidon présente deux trous, un en haut et un en bas. Réglez l'ensemble guidon à sa position optimale en alignant le trou à la hauteur voulue.



3. Attachez le cadre supérieur de guidon aux deux tubes intermédiaires de guidon, en alignant les trous comme l'indique l'illustration. Utilisez pour cela les deux jeux restants de boutons et boulons de guidon (Fig. 6).



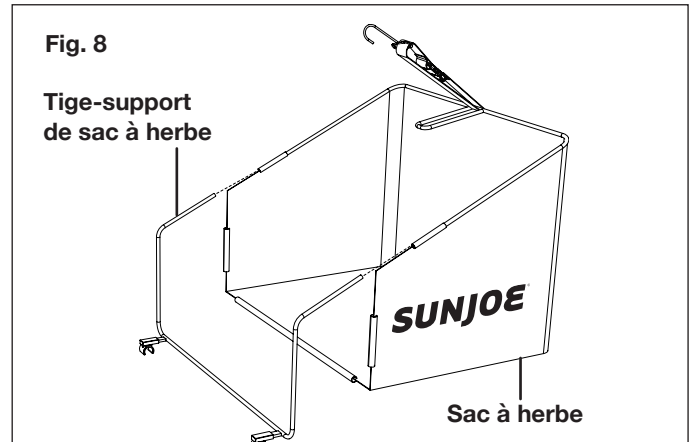
4. Attachez le câble à l'aide des deux serre-câbles, comme l'indique la Fig. 7



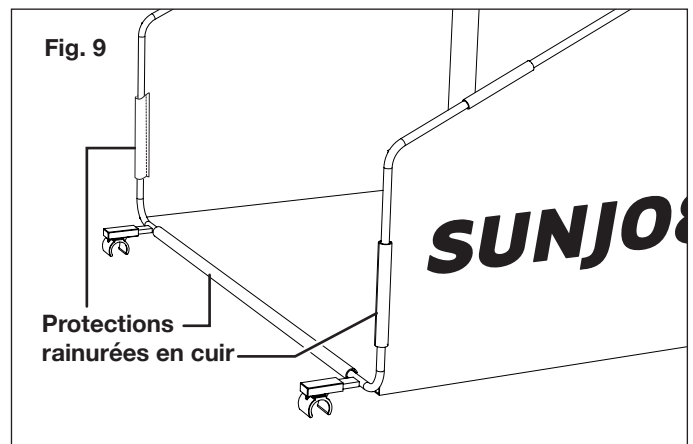
Assemblage et pose du sac à herbe

Le sac à herbe empêche l'herbe coupée de s'éparpiller sur la pelouse quand vous la tondez.

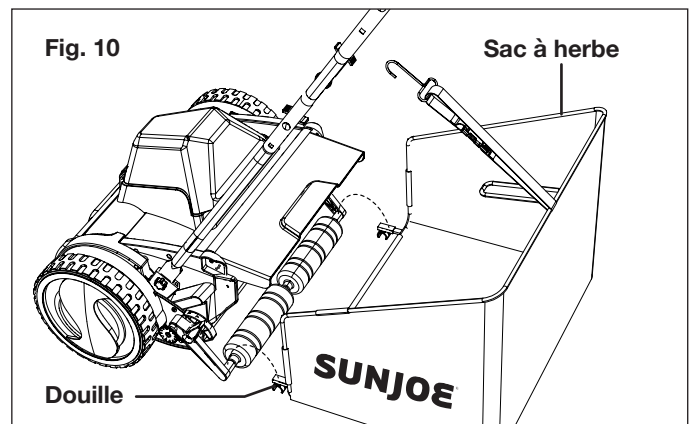
1. Faites rentrer la tige-support de sac à herbe dans le tube du sac à herbe (Fig. 8).



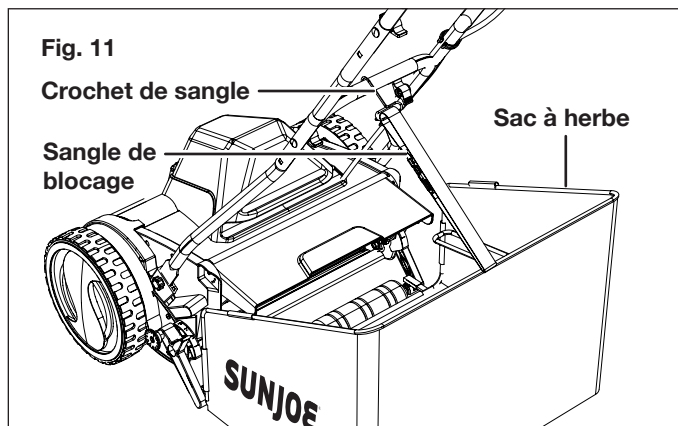
2. Pour finir l'assemblage, posez les protections rainurées en cuir sur la tige-support (Fig. 9)



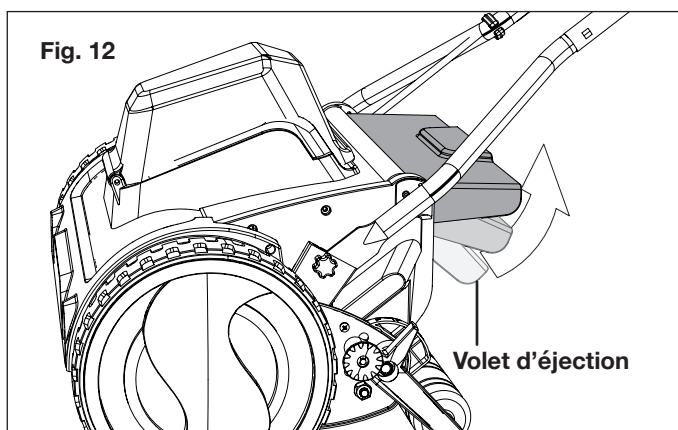
3. Levez le volet d'éjection pour l'amener à sa position la plus haute et assemblez le sac à herbe en accrochant les douilles à chaque extrémité de l'arbre des rouleaux (Fig. 10).



4. Attachez le crochet de la sangle du sac à herbe au tube central du cadre inférieur de guidon (Fig. 11). Réglez la sangle à la bonne longueur pour que le sac à herbe ne frotte pas le sol pendant la tonte ou lorsqu'on fait rouler la machine pour la transporter.



5. La tondeuse peut être utilisée sans sac à herbe. Quand le sac à herbe n'est pas attaché, réglez le volet d'éjection de façon à ce qu'il fasse écran contre l'herbe coupée rejetée (Fig. 12).



Utilisation

Cette tondeuse à rouleau est destinée à un usage résidentiel privé consistant à tondre les pelouses de petite superficie dans les jardins. Cette tondeuse à rouleau n'est pas destinée à tondre le gazon dans les parcs publics, les terrains de jeu, les fermes ou les forêts. N'utilisez pas cette tondeuse à rouleau pour un travail autre que celui auquel elle est destinée.

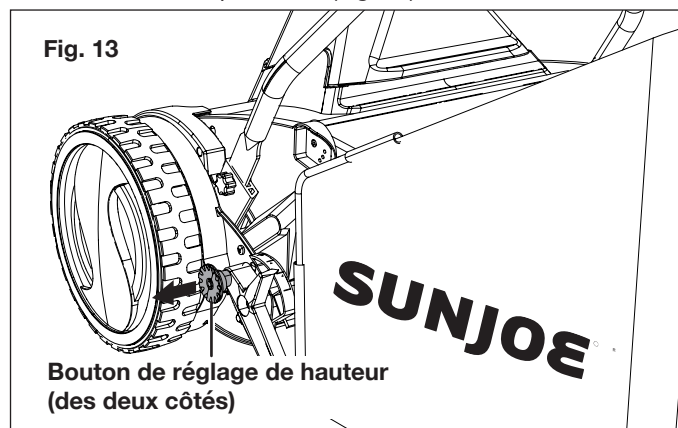
Réglage de la hauteur de coupe

Cette tondeuse à rouleau sans cordon est équipée d'un système de réglage de hauteur à quatre positions pour régler sur mesure la hauteur de coupe de l'herbe de 15 mm à 50 mm. Pour changer la hauteur de coupe de l'herbe, suivez les instructions ci-dessous.

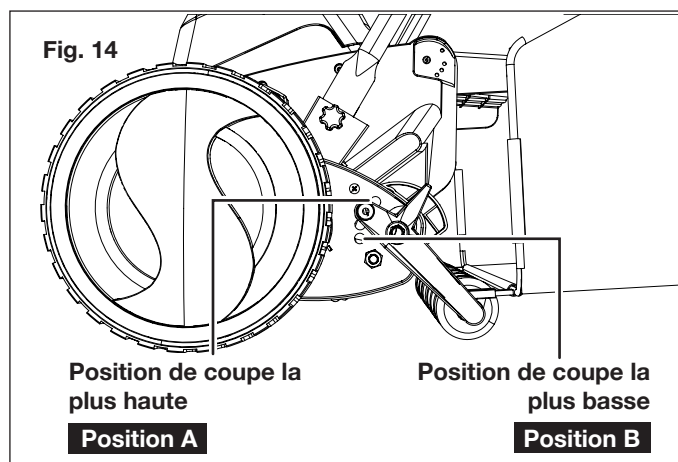
⚠ AVERTISSEMENT! Avant de procéder à ces réglages, retirer la batterie et la clé de sécurité de la tondeuse à gazon et patienter jusqu'à ce que les lames rotatives se soient complètement arrêtées de tourner.

TOUJOURS SUIVRE LES MESURES DE SÉCURITÉ ET LES RECOMMANDATIONS ÉNUMÉRÉES PRÉCÉDEMMENT DANS CE MANUEL.

1. Coupez le moteur de la tondeuse à gazon et retirez la batterie et la clé de sécurité.
2. Pour régler la hauteur de coupe, tirez sur les boutons de réglage de hauteur des deux côtés du cadre de châssis de la tondeuse à rouleau et réinsérez-les une fois obtenue la hauteur de coupe voulue (Fig. 13).



3. Pour régler le rouleau à la position de coupe la plus haute, faites rentrer les boutons de réglage dans le trou supérieur (position A) de chaque côté du cadre de châssis de la tondeuse à rouleau. Pour régler le rouleau à la position de coupe la plus basse, faites rentrer les boutons de réglage dans le trou inférieur (position B) de chaque côté du cadre de châssis (Fig. 14).

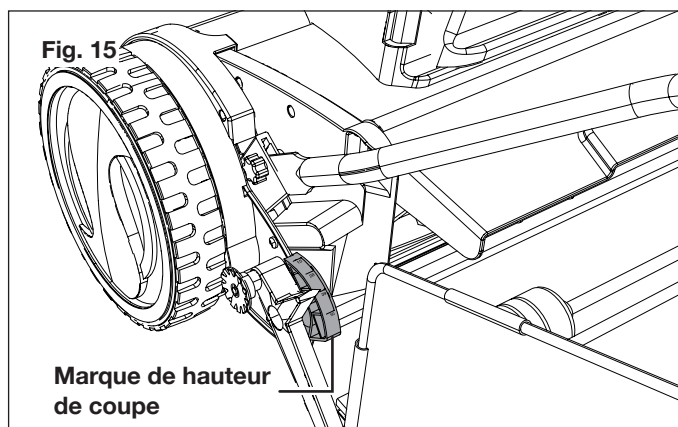


4. Le réglage pour les autres positions de coupe s'effectue en faisant rentrer les boutons de réglage dans les trous intermédiaires entre la position la plus haute et la position la plus basse. Lors du réglage de la hauteur de coupe, référez-vous à la marque en regard des boutons de réglage de hauteur (Fig. 15).

Quatre positions de réglage de hauteur de coupe :

- (1) Bas : 15 mm
- (2) Intermédiaire : 28 mm
- (3) Intermédiaire : 39 mm
- (4) Haut : 50 mm

La tolérance de hauteur de coupe est de ± 3 mm

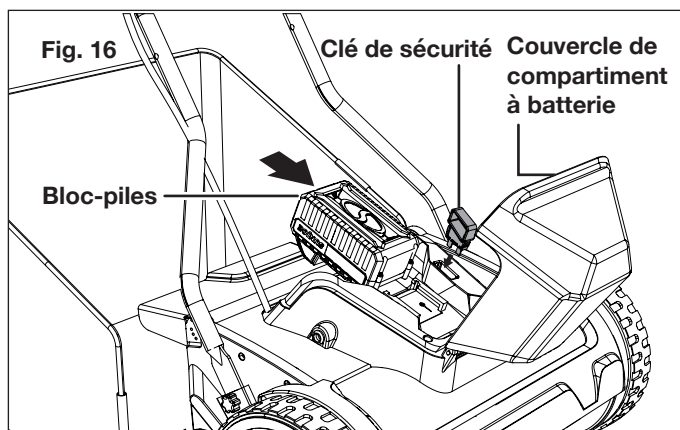


Démarrage et arrêt

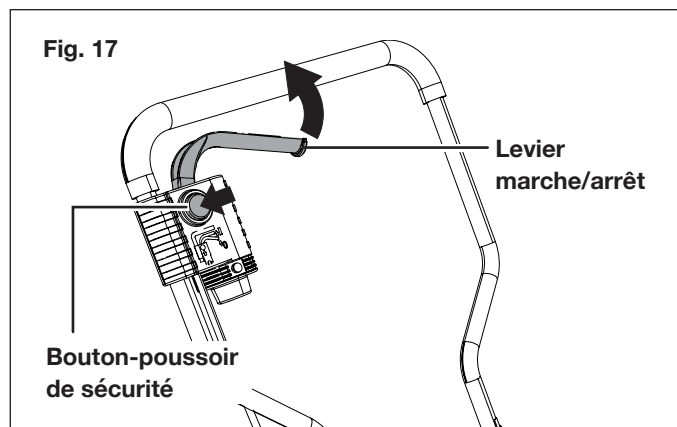
⚠️ AVERTISSEMENT! Avant de démarrer la tondeuse, vérifier qu'elle n'est en contact avec aucun corps étranger. Maintenir les pieds et les mains à bonne distance des lames rotatives de la tondeuse et de l'ouverture d'éjection. Toute personne ne tenant pas compte de ces avertissements s'expose à de graves dommages corporels.

IMPORTANT : ne démarrez pas la tondeuse à rouleau dans de l'herbe haute.

1. Assurez-vous de ne pas presser le levier marche/arrêt de la machine. Insérez la batterie et la clé de sécurité dans leurs emplacements respectifs (Fig. 16). Fermez le couvercle du compartiment à batterie.



2. Pour démarrer la machine, appuyez sur le bouton-poussoir de sécurité, puis tirez le levier marche/arrêt vers vous (Fig. 17). Une fois que la machine a démarré, relâchez le bouton-poussoir de sécurité et commencez à tondre.



3. Pour arrêter la tondeuse, relâchez le levier marche/arrêt.

⚠️ AVERTISSEMENT! Les lames de la tondeuse continuent à tourner pendant un bref instant une fois que le moteur a été coupé. Ne pas basculer ou transporter la machine lorsque le moteur tourne encore et ne pas toucher les lames pendant qu'elles sont encore en rotation. Toute personne ne tenant pas compte de cet avertissement s'expose à de graves dommages corporels.

Conseils pour la tonte

⚠️ AVERTISSEMENT! Inspecter le terrain avant de le tondre et retirer toutes les pierres, bâtons, fils et tout ce qui peut être ramassé et projeté en l'air par les lames rotatives. Si vous ne tenez pas compte de cet avertissement, les lames de la tondeuse seront endommagées et de graves blessures corporelles sont à redouter.

- Assurez-vous d'inspecter périodiquement les lames de coupe pour vérifier qu'elles ne présentent aucun signe d'usure et, au besoin, remplacez-les comme cela est décrit dans la section sur l'entretien.

REMARQUE : des lames affûtées amélioreront nettement le rendement de la tondeuse, spécialement lorsqu'il faut couper des herbes hautes.

- Lorsque vous tondez de l'herbe épaisse, réduisez la vitesse de progression ou d'autotraction afin de vous permettre de tondre plus efficacement et rejeter de façon appropriée l'herbe coupée. Pour obtenir une pelouse saine, coupez toujours un tiers ou moins de la hauteur totale de l'herbe. La hauteur moyenne de l'herbe d'une pelouse doit se situer approximativement entre 3,8 et 5 cm pendant la saison froide et être supérieure à 5 cm pendant la saison chaude. S'il y a repousse, la pelouse doit être tondue à l'automne.
- La pelouse aura un meilleur aspect si elle est toujours tondue à la même hauteur et en croisant les directions.
- Lorsque vous traversez un revêtement de gravier, relâchez le levier marche/arrêt pour couper le moteur de la tondeuse. Des pierres peuvent être ramassées et projetées par les lames rotatives.

- Réglez la tondeuse sur la hauteur de coupe maximale lorsque vous tondez un terrain accidenté ou de mauvaises herbes hautes.

⚠ AVERTISSEMENT! Si la tondeuse heurte quoi que ce soit, arrêter le moteur et retirer la batterie. Inspecter soigneusement la tondeuse et réparer tout dommage avant de reprendre le travail.

- Coupez le moteur avant de vider le sac à herbe. Assurez-vous toujours qu'une distance de sécurité suffisante (fournie par la longueur du cadre du guidon) est maintenue entre l'utilisateur et le caisson de la tondeuse. Soyez particulièrement vigilant lorsque vous tondez et changez de direction sur une pente ou un plan incliné.
- Gardez toujours un bon équilibre et portez des chaussures robustes et antidérapantes ainsi qu'un pantalon long. Tondez toujours en travers de la pente (et non en descendant et en montant).
- Faites preuve de précautions particulières lorsque vous reculez et lorsque vous tirez la tondeuse à rouleau vers vous, car ce type de manœuvre risque de vous faire trébucher.
- Pour un déchiquetage efficace, ne coupez pas de l'herbe mouillée, car elle a tendance à se coller sur le dessous du plateau de coupe en empêchant le déchiquetage approprié de l'herbe coupée. La fin d'après-midi est le moment le plus propice pour tondre lorsque l'herbe est sèche, la zone fraîchement tondue ne pouvant pas être exposée aux rayons du soleil.
- Pour obtenir un rendement maximal de déchiquetage, réglez la hauteur de coupe de manière à ce qu'environ un tiers de la longueur de l'herbe soit coupée, idéalement pas plus de 4 cm à la fois. Si la hauteur de l'herbe est excessive, il peut s'avérer nécessaire d'augmenter la hauteur de coupe afin de faciliter la tonte et empêcher le moteur de surchauffer. Ralentissez votre rythme de tonte lorsque l'herbe est épaisse ou haute. Pour déchiqueter de l'herbe épaisse ou haute, il est conseillé de tondre d'abord à un réglage de hauteur élevée et de repasser en utilisant le réglage de hauteur voulue. Sinon, faites des passages plus étroits et tondez plus lentement. **TOUJOURS S'ASSURER QUE LES LAMES SONT AFFUTÉES.**

Entretien

⚠ AVERTISSEMENT! Avant de nettoyer, réparer ou inspecter la tondeuse à rouleau, arrêter la machine et retirer la clé de sécurité, puis la batterie et vérifier que toutes les pièces mobiles sont complètement arrêtées.

Généralités

- Veillez à ce que la tondeuse à rouleau soit toujours propre et qu'il n'y ait ni herbe, saleté ou autres débris accumulés dessus.
- Maintenez le guidon sec, propre et exempt d'huile et de graisse.

- Après chaque tonte, retirez l'herbe coupée et les débris qui se sont accumulés à l'aide d'un chiffon propre ou d'une brosse à main. Vous pouvez également nettoyer la machine à l'aide d'un chiffon humide. N'utilisez ni agents nettoyants ni solvants corrosifs, car ils peuvent endommager les pièces en plastique de la machine. Assurez-vous qu'il n'y ait pas d'eau qui pénètre à l'intérieur de la machine et qui puisse détruire le mécanisme de l'interrupteur et le moteur électrique.
- Ne nettoyez pas la tondeuse à rouleau à l'eau courante et bien évidemment non plus à l'eau à haute pression.
- Avant chaque utilisation, vérifiez que tous les écrous, boulons et vis sont correctement serrés.
- Inspectez fréquemment le sac à herbe pour déceler la présence éventuelle de signes d'usure et remplacez immédiatement toute pièce endommagée par une pièce d'origine Snow Joe® + Sun Joe®.
- Remplacez immédiatement les pièces excessivement usées ou endommagées.

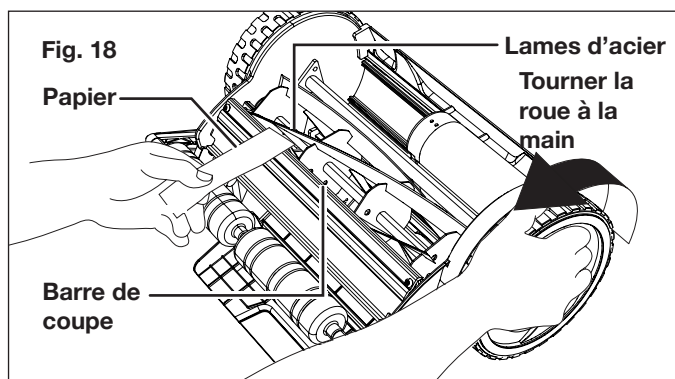
Lubrification

Une quantité suffisante de lubrifiants de qualité supérieure a été utilisée pour lubrifier tous les roulements de cette machine pendant toute sa durée de vie, sous des conditions normales d'utilisation. C'est pourquoi il n'est pas nécessaire de lubrifier une nouvelle fois les roulements.

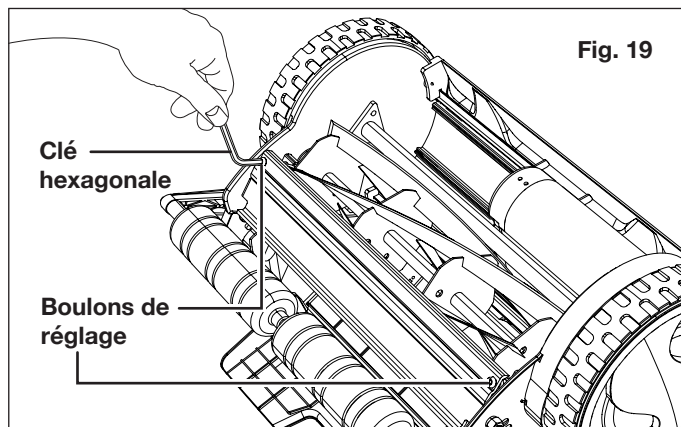
Pour obtenir une coupe franche

⚠ AVERTISSEMENT! Les lames d'acier sont extrêmement acérées. Pour éviter de se blesser, ne pas toucher les lames pendant les réglages. Il se peut que les lames soient mal alignées, ce qui est souvent dû à des lames insuffisamment ou trop serrées. La coupe peut alors être irrégulière ou la tondeuse peut devenir difficile à pousser.

1. Placez la tondeuse sur une surface plane. Retirez et videz le sac à herbe. Retournez complètement la tondeuse pour pouvoir accéder aux lames et à la barre de coupe.
2. Insérez une bande de papier entre les lames d'acier et la barre de coupe, puis tournez lentement la roue à la main (Fig. 18).



3. Si vous faites tourner la roue sans à-coups, toutes les lames devraient couper le papier uniformément sur toute la longueur de la barre de coupe. Répétez ce test pour l'autre côté de la tondeuse.
4. Si la tondeuse coupe le papier irrégulièrement, utilisez la clé hexagonale fournie pour serrer le boulon de réglage le plus proche de l'endroit où les irrégularités de coupe ont été constatées. Serrez le boulon du côté approprié de la barre de coupe en la faisant tourner dans le sens horaire d'environ 1/8e de tour jusqu'à ce que les lames d'acier soient en contact avec la barre de coupe (Fig. 19).



5. S'il devient trop difficile de déplacer la roue à la main pendant le réglage des lames du rouleau, desserrez légèrement le boulon de réglage en le tournant dans le sens antihoraire. Faites un nouvel essai avec une autre bande de papier pour vérifier que la coupe est normale.
6. Procédez au même réglage pour l'autre extrémité de la barre de coupe.

⚠ AVERTISSEMENT! Le serrage final des deux boulons de réglage doit être le même. Ne pas trop serrer les boulons de réglage, car cela pourrait endommager les lames.

REMARQUE : si vous avez la moindre question, n'hésitez pas à appeler le service à la clientèle Snow Joe® + Sun Joe® au 1-866-SNOWJOE (1-866-766-9563) pour de l'aide.

Nettoyage et remisage

1. Avant le remisage, nettoyez soigneusement l'extérieur de la machine en utilisant une brosse souple et un chiffon doux. N'utilisez pas d'eau, de solvants ou de produits à polir.
2. Pour nettoyer la zone des lames, retournez la tondeuse sur son flanc.

⚠ AVERTISSEMENT! Ne pas mettre les mains dans la zone de coupe ou à proximité. Si de l'herbe coupée s'est accumulée dans la zone des lames, la retirer en utilisant un outil de curetage en bois ou en plastique approprié pour le nettoyage des lames.

3. Remisez la tondeuse dans un endroit sec. Ne mettez rien sur la partie supérieure de la tondeuse pendant son remisage.

Conseils pour l'entretien

Les tondeuses à rouleau nécessitent relativement peu d'entretien. Pour une coupe régulière, suivez les instructions ci-dessous :

- Toujours maintenir le guide de coupe convenablement réglé. Se reporter au manuel d'instructions pour d'autres conseils.
- Nettoyer et lubrifier régulièrement les tranchants en appliquant une huile légère pour pulvérisation.

IMPORTANT! Les tondeuses à rouleau ont du mal à couper les mauvaises herbes hautes, par exemple les pissenlits, et elles coucheront ces mauvaises herbes au lieu de les couper. Tondez souvent pour éviter ce problème.

Élimination

Recyclage de la machine

- Ne jetez pas les machines et outils électriques comme si c'étaient des déchets ménagers. Utilisez les services d'enlèvement spéciaux des ordures ménagères.
- Communiquez avec l'organisme public local pour obtenir des informations sur les systèmes d'enlèvement offerts.
- Si des machines ou des outils électriques sont éliminés dans les décharges ou les dépôts d'ordures, des substances dangereuses peuvent s'infiltrer dans les eaux souterraines et polluer la chaîne alimentaire en nuisant à votre santé et votre bien-être.
- Lors du remplacement d'une machine ou d'un outil électrique ancien par un neuf, le détaillant est légalement tenu de reprendre au moins gratuitement votre ancien produit pour l'éliminer.

Recyclage et élimination

La machine est livrée dans un emballage qui l'empêche d'être endommagée pendant son expédition. Conservez l'emballage jusqu'à ce que vous soyez sûr que toutes les pièces ont été expédiées et que la machine fonctionne correctement. Ensuite, recyclez l'emballage ou conservez-le pour le remisage de longue durée.



Symbole DEEE. Les déchets d'équipements électriques ne doivent pas être jetés avec les déchets ménagers. Veuillez les recycler dans les installations prévues à cet effet. Pour les réglementations de recyclage, communiquez avec les services publics locaux ou avec votre revendeur.

Mise en garde concernant les batteries et informations sur leur élimination

Éliminez toujours les blocs-piles en vous conformant aux réglementations fédérales, provinciales ou territoriales et locales. Communiquez avec un organisme de recyclage de votre région pour obtenir la liste des sites de recyclage.

⚠ MISE EN GARDE! Même déchargé, un bloc-piles emmagasine une certaine énergie. Avant de l'éliminer, utiliser du ruban isolant pour couvrir les bornes et empêcher ainsi le bloc-piles de provoquer un court-circuit, ce qui pourrait causer un incendie ou une explosion.

⚠ AVERTISSEMENT! Pour réduire le risque de dommages corporels ou d'explosion, ne jamais brûler ou incinérer un bloc-piles, même s'il est endommagé, à plat ou complètement déchargé. En brûlant, des vapeurs et des matières toxiques sont émises dans l'atmosphère environnante.

1. Les batteries varient selon le type d'outils ou de machines. Consultez le manuel pour des renseignements spécifiques.
2. Insérez uniquement des blocs-piles neufs de même type dans votre machine ou votre outil (si celui-ci peut être alimenté par deux batteries).
3. Si, en l'insérant, la polarité de la batterie n'est pas respectée, comme indiqué dans le compartiment à batterie ou dans le manuel, sa durée de vie pourrait être réduite ou elle pourrait fuir.
4. Ne pas mélanger des batteries anciennes et des neuves.
5. Ne pas mélanger des batteries alcalines, standard (carbone/zinc) ou rechargeables (au nickel-cadmium, au nickel-métal-hydrure ou au lithium-ion).
6. Ne jeter aucune batterie au feu.
7. Les batteries doivent être recyclées ou éliminées en observant les directives provinciales ou territoriales et locales.

Entretien, réparation et assistance technique

Si votre tondeuse à rouleau sans cordon Sun Joe® 24V-CRLM15-CT nécessite une réparation ou un entretien, veuillez appeler le service à la clientèle Snow Joe® + Sun Joe® au 1-866-SNOWJOE (1-866-766-9563) pour de l'aide.

Numéros de modèle et de série

Lorsque vous communiquez avec l'entreprise pour commander des pièces, vous devez fournir les numéros de modèle et de série de votre produit. Ceux-ci se trouvent sur l'étiquette autocollante apposée sur le caisson ou le guidon de votre tondeuse. Copiez ces numéros dans l'espace réservé ci-dessous.

Veuillez noter les numéros suivants sur le caisson ou le guidon de votre nouveau produit :																			
N° de modèle :																			
2	4	V	-	C	R	L	M	1	5	-	C	T							
N° de série :																			

Dépannage

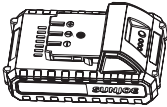
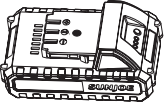



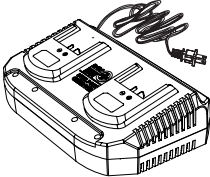
- Retirez la batterie et la clé de sécurité avant d'effectuer un entretien ou lorsque vous voulez vérifier que ses pièces sont en bon ordre de marche.
- Pour éviter des ennuis inutiles, pour tous les problèmes mécaniques, consultez le tableau suivant avant de communiquer avec un réparateur qualifié.

Problème	Cause possible	Solution
La tondeuse ne réussit pas à démarrer	<ul style="list-style-type: none"> a) La clé de sécurité n'est pas insérée. b) la batterie est à plat. c) La batterie est mal insérée. d) La commande du moteur ou des lames est débrayée. e) Le plateau de coupe est bloqué par de l'herbe ou des débris. f) L'herbe est trop haute. 	<ul style="list-style-type: none"> a) Insérez la clé de sécurité. b) Chargez la batterie. c) Insérez le bloc-piles dans la tondeuse et enfoncez-le jusqu'à ce que vous entendiez un clic. d) Appuyez d'abord sur le bouton-poussoir de sécurité, puis sur le levier marche/arrêt. e) Nettoyez le plateau de coupe. Assurez-vous que les lames tournent librement. f) Réglez la tondeuse sur une hauteur de coupe haute. Levez légèrement les roues en appuyant sur le guidon vers le bas.
La tondeuse s'arrête pendant la tonte	<ul style="list-style-type: none"> a) la batterie est à plat. b) L'herbe est trop haute. c) Le plateau de coupe est bloqué par de l'herbe ou des débris. d) La batterie ou le circuit électrique de la tondeuse est trop chaud. 	<ul style="list-style-type: none"> a) Chargez la batterie. b) Corrigez la hauteur de coupe. c) Nettoyez le plateau de coupe. Assurez-vous que les lames tournent librement. d) Laissez refroidir la batterie et la machine.
La tondeuse ne peut pas couper l'herbe régulièrement	<ul style="list-style-type: none"> a) Le terrain de la pelouse est accidenté ou plein de mauvaises herbes. b) Les lames ne sont pas assez affûtées. 	<ul style="list-style-type: none"> a) Réglez la hauteur de coupe. b) Affutez ou remplacez les lames.
La tondeuse est difficile à pousser	<ul style="list-style-type: none"> a) L'herbe est trop haute pour la couper. b) Les lames ou l'arrière de la tondeuse sont retenus par de l'herbe haute. c) Trop de tolérance entre les lames d'acier et le cylindre. 	<ul style="list-style-type: none"> a) Réglez plus haut la hauteur de coupe. b) Resserrez les boulons de réglage.
La tondeuse vibre à vitesse élevée	<ul style="list-style-type: none"> a) L'arbre du moteur est voilé. b) Les lames ne sont pas équilibrées. c) Les boulons de réglage sont desserrés. 	<ul style="list-style-type: none"> a) Arrêtez le moteur, retirez la batterie et vérifiez si la machine est endommagée. Communiquez avec un réparateur qualifié. b) Équilibrez les lames en meulant chaque tranchant de façon identique ou remplacez les lames par de nouvelles. c) Resserrez les boulons de réglage.

Seul un spécialiste de l'entreprise peut solutionner les pannes qui ne peuvent pas l'être à l'aide de ce tableau. Veuillez appeler le service à la clientèle Snow Joe® + Sun Joe® au 1-866-SNOWJOE (1-866-766-9563).

Accessoires en option

⚠️ AVERTISSEMENT! TOUJOURS utiliser des pièces de rechange et des accessoires Snow Joe® + Sun Joe® homologués. NE JAMAIS utiliser des pièces ou des accessoires qui ne sont pas destinés à être utilisés avec cette tondeuse à rouleau sans cordon. Communiquez avec Snow Joe® + Sun Joe® si vous n'êtes pas sûr que l'utilisation d'une pièce de rechange ou d'un accessoire particulier avec votre tondeuse à rouleau sans cordon soit sans danger. L'utilisation de tout autre accessoire ou de toute autre pièce détachée peut être dangereuse et pourrait provoquer des dommages corporels ou des détériorations d'origine mécanique.

Accessoires	Description	Modèle
<p>①</p> 	<p>Batterie au lithium-ion 2,0 Ah iON+ 24 V <i>Autonomie max: 25 min (coupe jusqu'à 228 m² d'herbe)</i></p>	24VBAT-LTE
<p>②</p> 	<p>Batterie au lithium-ion 2,5 Ah iON+ 24 V <i>Autonomie max: 31 min (coupe jusqu'à 285 m² d'herbe)</i></p>	24VBAT-LT
<p>③</p> 	<p>Batterie au lithium-ion 4,0 Ah iON+ 24 V <i>Autonomie max: 50 min (coupe jusqu'à 456 m² d'herbe)</i></p>	24VBAT
<p>④</p> 	<p>Batterie au lithium-ion 5,0 Ah iON+ 24 V <i>Autonomie max: 62 min (coupe jusqu'à 570 m² d'herbe)</i></p>	24VBAT-XR
<p>⑤</p> 	<p>Chargeur rapide de batterie au lithium-ion 24 V</p>	24VCHRG-QC
<p>⑥</p> 	<p>Double chargeur de batteries au lithium-ion iON+ 24 V</p>	24VCHRG-DPC

REMARQUE : les accessoires sont sous réserve de changements sans que Snow Joe® + Sun Joe® soit pour autant tenue de donner un préavis desdits changements. Les accessoires peuvent être commandés en ligne sur le site sunjoe.com ou par téléphone en appelant le service à la clientèle Snow Joe® + Sun Joe® au 1-866-SNOWJOE (1-866-766-9563).



LA PROMESSE DE SNOW JOE® + SUN JOE® À SES CLIENTS

Vous êtes notre client et Snow Joe, LLC (« Snow Joe ») **SE MET EN QUATRE** pour vous servir. Nous nous efforçons de vous rendre l'utilisation de nos produits aussi plaisante que possible. Malheureusement, il peut arriver qu'un produit Snow Joe®, Sun Joe® ou Aqua Joe (« Produit ») ne fonctionne pas ou se casse dans des conditions d'utilisation normales. Nous pensons qu'il est important que vous sachiez ce que vous pouvez attendre de nous. C'est pourquoi nous avons une garantie limitée (« Garantie ») pour nos Produits.

NOTRE GARANTIE :

Snow Joe déclare et garantit que les Produits neufs, d'origine, électriques ou non électriques sont exempts de vices de matière ou de fabrication et, lorsqu'ils font l'objet d'une utilisation résidentielle et ménagère ordinaire, les garantit pendant une période de deux ans à compter de la date d'achat au détail par l'acheteur primitif auprès de Snow Joe ou d'un des revendeurs agréés de Snow Joe, preuve d'achat à l'appui. Étant donné que Snow Joe ne peut pas contrôler la qualité de ses Produits vendus par des revendeurs non agréés, sauf stipulation contraire de la loi, la présente Garantie ne couvre pas les Produits achetés auprès de vendeurs non agréés. Si votre Produit ne fonctionne pas ou si une pièce spécifique couverte par les modalités de la présente Garantie fait l'objet d'un problème quelconque, Snow Joe choisira (1) de vous envoyer une pièce de rechange gratuite, (2) de remplacer le Produit par un produit neuf ou comparable, gratuitement, ou (3) de réparer le Produit. Génial, n'est-ce pas?

La présente Garantie vous donne des droits judiciaires spécifiques, et vous pouvez également avoir d'autres droits qui peuvent varier d'une province ou d'un territoire à l'autre.

ENREGISTREMENT DU PRODUIT :

Snow Joe vous recommande vivement d'enregistrer votre Produit. Vous pouvez l'enregistrer en ligne sur le site snowjoe.com/register, ou en imprimant et en envoyant par courrier une carte d'enregistrement offerte en ligne sur notre site Web, ou par téléphone en appelant notre Service à la clientèle au **1-866-SNOWJOE (1-866-766-9563)**, ou encore en nous envoyant un courriel à l'adresse help@snowjoe.com. Le fait de ne pas enregistrer l'achat de votre Produit n'a aucune conséquence sur vos droits concernant la garantie. Toutefois, l'enregistrement de votre Produit permettra à Snow Joe de mieux répondre au moindre besoin que vous pourriez avoir en matière de service à la clientèle.

QUI PEUT REVENDIQUER LA COUVERTURE DE LA GARANTIE?

La présente Garantie est étendue par Snow Joe à l'acheteur et propriétaire primitif du Produit.

QU'EST-CE QUI N'EST PAS COUVERT?

La présente Garantie ne s'applique pas si le Produit a été utilisé commercialement, pour des travaux non résidentiels ou s'il fait l'objet d'une location. La présente Garantie ne s'applique pas non plus si le Produit a été acheté auprès d'un revendeur non agréé. La présente garantie ne couvre pas non plus les changements cosmétiques qui n'affectent pas le rendement. Les pièces d'usure comme les courroies, les tarières, les chaînes et les dents ne sont pas couvertes au titre de la présente Garantie et peuvent être achetées en ligne sur le site snowjoe.com ou en appelant le **1-866-SNOWJOE (1-866-766-9563)**.



sunjoe.com