

**OPERATOR'S MANUAL**

A Division of Snow Joe, LLC

CORDLESS PRUNING SAW

24V MAX* | 2.5 Ah | 5-INCH | BONUS CUTTING CHAIN

Model 24V-HCSEC-LT

Form No. SJ-24V-HCSEC-LT-880E-M

IMPORTANT!**Safety Instructions****All Operators Must Read These Instructions Before Use**

Read all safety warnings and all instructions. Failure to follow the warnings and instructions may result in electric shock, fire and/or serious injury. Save all warnings and instructions for future reference.

⚠ DANGER! This indicates a hazardous situation, which, if not followed, will result in serious injury or death.

⚠ WARNING! This indicates a hazardous situation, which, if not avoided, could result in serious injury or death.

⚠ CAUTION! This indicates a hazardous situation, which, if not avoided, could result in minor or moderate injury.

Intended Use

This cordless pruning saw was designed and manufactured for trimming and pruning tree limbs and branches and for cutting smaller logs up to the recommended 4.5 in.

(11.4 cm), not to exceed a max. cut of 5.5 in. (14 cm) in diameter depending on type of wood. All of the wooden objects intended to be cut with this pruning saw should be no thicker than the guide bar's maximum cutting capabilities.

Any other use differing from the above mentioned applications poses a serious hazard to the user and may damage both the tool and your personal property. Improper use of the machine will invalidate the warranty and relieve the manufacturer from all liabilities. The user will consequently be liable for all and any damage or injury to himself/herself or others.

General Power Tool Safety**Warnings**

⚠ WARNING! Read all safety warnings, instructions, illustrations and specifications provided with this power tool. Failure to follow all instructions listed below may result in electric shock, fire and/or serious injury. Save all warnings and instructions for future reference.

Work Area Safety

1. **Keep work area clean and well lit** – Cluttered or dark areas invite accidents.
2. **Do not operate power tools in explosive atmospheres, such as in the presence of flammable liquids, gases or dust** – Power tools create sparks which may ignite the dust or fumes.
3. **Keep children and bystanders away while operating a power tool** – Distractions can cause you to lose control.

Electric Safety

1. **Power tool plugs must match the outlet. Never modify the plug in any way. Do not use any adapter plugs with earthed (grounded) power tools** – Unmodified plugs and matching outlets will reduce risk of electric shock.
2. **Avoid body contact with earthed or grounded surfaces, such as pipes, radiators, ranges and refrigerators** – There is an increased risk of electric shock if your body is earthed or grounded.
3. **Do not abuse the cord. Never use the cord for carrying, pulling or unplugging the power tool. Keep cord away from heat, oil, sharp edges or moving parts** – Damaged or entangled cords increase the risk of electric shock.
4. **When operating a power tool outdoors, use an extension cord suitable for outdoor use** – Use of a cord suitable for outdoor use reduces the risk of electric shock.
5. **If operating a power tool in a damp location is unavoidable, use a RESIDUAL CURRENT DEVICE (RCD) protected supply** – Use of an RCD reduces the risk of electric shock.

Personal Safety

1. **Stay alert, watch what you are doing and use common sense when operating a power tool. Do not use a power tool while you are tired or under the influence of drugs, alcohol or medication** – A moment of inattention while operating power tools may result in serious personal injury.
2. **Use personal protective equipment. Always wear eye protection** – Protective equipment such as dust mask, non-skid safety shoes, hard hat, or hearing protection used for appropriate conditions will reduce personal injuries.

**Initial no-load voltage, when fully charged, peaks at 24V; nominal voltage under typical load is 21.6V.*


3. **Prevent unintentional starting. Ensure the switch is in the off-position before connecting battery pack, picking up or carrying the tool** – Carrying power tools with your finger on the switch or energising power tools that have the switch on invites accidents.
4. **Remove any adjusting key or wrench before turning the power tool on** – A wrench or a key left attached to a rotating part of the power tool may result in personal injury.
5. **Do not overreach. Keep proper footing and balance at all times** – This enables better control of the power tool in unexpected situations.
6. **Dress properly. Do not wear loose clothing or jewelry. Keep your hair, clothing and gloves away from moving parts** – Loose clothes, jewelry or long hair can be caught in moving parts.
7. **If devices are provided for the connection of dust extraction and collection facilities, ensure these are connected and properly used** – Use of dust collection can reduce dust-related hazards.
8. **Do not let familiarity gained from frequent use of tools allow you to become complacent and ignore tool safety principles.** A careless action can cause severe injury within a fraction of a second.

Power Tool Use and Care

1. **Do not force the power tool. Use the correct power tool for your application** – The correct power tool will do the job better and safer at the rate for which it was designed.
2. **Do not use the power tool if the switch does not turn it on and off** – Any power tool that cannot be controlled with the switch is dangerous and must be repaired.
3. **Disconnect the battery pack from the power tool before making any adjustments, changing accessories, or storing power tools** – Such preventive safety measures reduce the risk of starting the power tool accidentally.
4. **Store idle power tools out of the reach of children and do not allow persons unfamiliar with the power tool or these instructions to operate the power tool** – Power tools are dangerous in the hands of untrained users.
5. **Maintain power tools. Check for misalignment or binding of moving parts, breakage of parts and any other condition that may affect the power tool's operation. If damaged, have the power tool repaired before use** – Many accidents are caused by poorly maintained power tools.
6. **Keep cutting tools sharp and clean** – Properly maintained cutting tools with sharp cutting edges are less likely to bind and are easier to control.
7. **Use the power tool, accessories etc. in accordance with these instructions, taking into account the working conditions and the work to be performed** – Use of the power tool for operations different from those intended could result in a hazardous situation.

8. **Keep handles and grasping surfaces dry, clean and free from oil and grease.** Slippery handles and grasping surfaces do not allow for safe handling and control of the tool in unexpected situations.

Battery Tool Use and Care

 **WARNING!** Read all safety warnings and instructions. Failure to follow the warnings and instructions may result in electric shock, fire and/or serious injury.

1. Recharge only with the charger specified by the manufacturer. A charger that is suitable for one type of battery pack may create a risk of fire when used with another battery pack.
2. Use appliances only with specifically designated battery packs. Use of any other battery packs may create a risk of injury and fire.
3. When the battery pack is not in use, keep it away from other metal objects, like paper clips, coins, keys, nails, screws or other small metal objects that can make a connection from one terminal to another. Shorting the battery terminals together may cause burns or a fire.
4. Under abusive conditions, liquid may be ejected from the battery; avoid contact. If contact accidentally occurs, flush with water. If liquid contacts eyes, additionally seek medical help. Liquid ejected from the battery may cause irritation or burns.
5. Do not use a battery pack or appliance that is damaged or modified. Damaged or modified batteries may exhibit unpredictable behavior resulting in fire, explosion or risk of injury.
6. Do not expose a battery pack or appliance to fire or excessive temperature. Exposure to fire or temperature above 104°F (40.5°C) may cause explosion.
7. Follow all charging instructions and do not charge the battery pack or appliance outside of the temperature range specified in the instructions. Charging improperly or at temperatures outside of the specified range may damage the battery and increase the risk of fire.
8. Do not modify or attempt to repair the appliance or the battery pack (as applicable) except as indicated in the instructions for use and care.

Service

1. **Have your power tool serviced by a qualified repair person using only identical replacement parts.** This will ensure that the safety of the power tool is maintained.
2. **Never service damaged battery packs.** Service of battery packs should only be performed by the manufacturer or authorized service providers.

Safety Instructions for Pruning Saws

General Pruning Saw Safety Warnings

- **Keep all parts of the body away from the saw chain when the pruning saw is operating. Before you start the pruning saw, make sure the saw chain is not contacting anything.** A moment of inattention while operating the pruning saw may cause entanglement of your clothing or body with the saw chain.
- **Hold the power tool by insulated gripping surfaces only, because the saw chain may contact hidden wiring.** Saw chains contacting a "live" wire may make an exposed metal part of the power tool "live" and give the operator an electric shock.
- **Wear safety glasses and hearing protection. Further protective equipment for head, hands, legs and feet is recommended.** Adequate protective clothing will reduce personal injury by flying debris or accidental contact with the saw chain.
- **Always keep proper footing and operate the pruning saw only when standing on a fixed, secured and level surface.** Slippery or unstable surfaces such as ladders may cause a loss of balance or control of the saw.
- **When cutting a limb that is under tension, be cautious of spring back.** When the tension in the wood fibers is released, the spring-loaded limb may strike the operator and/or throw the pruning saw out of control.
- **Use extreme caution when cutting brush and saplings.** The slender material may catch the saw chain and be whipped toward you or pull you off balance.
- **Carry the saw by the handle with the saw switched off and away from your body. When transporting or storing the saw, always fit the guide bar cover.** Proper handling of the saw will reduce the likelihood of accidental contact with the moving saw chain.
- **Follow instructions for lubricating, chain tensioning and changing accessories.** An improperly tensioned or poorly lubricated chain may either break or increase the chance for kickback.
- **Cut wood only. Do not use the pruning saw for any other purpose. For example, do not use the pruning saw to cut plastic, masonry or non-wood building materials.** Using the pruning saw in these incorrect ways could result in serious damage to you and your tool.
- Keep guards in place. Protective guards should be checked periodically to ensure they are properly fitted and in correct working order.
- Do not grasp the exposed cutting blade or cutting edges when picking up or holding the saw. Be sure to encase the cutting bar in its protective sheath when not in use.
- **This saw is not intended for tree felling.** Use of the saw for operations different than intended could result in serious injury to the operator or bystanders.

Causes and operator prevention of kickback

Kickback may occur when the nose or tip of the guide bar touches an object, or when the wood closes in and pinches the saw chain in the cut.

Tip contact in some cases may cause a sudden reverse reaction, kicking the guide bar up and back towards the operator.

Pinching the saw chain along the top of the guide bar may push the guide bar rapidly back towards the operator.

Either of these reactions may cause you to lose control of the saw which could result in serious personal injury. Do not rely exclusively upon the safety devices built into your saw. As a pruning saw user, you should take several steps to keep your cutting jobs free from accident or injury.

Kickback is the result of tool misuse and/or incorrect operating procedures or conditions and can be avoided by taking proper precautions as given below:

- **Maintain a firm grip, with thumb and fingers encircling the saw handle and position your body and arm to allow you to resist kick-back forces.** Kick-back forces can be controlled by the operator, if proper precautions are taken. Do not let go of the saw.
- **Do not overreach and do not cut above shoulder height.** This helps prevent unintended tip contact and enables better control of the unit in unexpected situations.
- **Only use replacement bars and chains specified by the manufacturer.** Incorrect replacement of bars and chains may cause chain breakage and/or kickback.
- Never use a dull or loose chain. Keep the chain sharp and properly tensioned.
- **Follow the manufacturer's sharpening and maintenance instructions for the saw chain.** Decreasing the depth gauge height can lead to increased kickback.

Additional safety instructions for Pruning Saw

- The pruning saw is designed for cutting branches. Only use the pruning saw as indicated in this manual for cutting wood. The machine has not been designed for continuous, professional use.
- Keep the pruning saw out of reach of children. It is not a toy.
- Persons with limited physical, sensorial or mental abilities are not allowed to use the pruning saw, unless they are supervised for their safety by a qualified person or are briefed by the responsible person on how to use the machine.
- Children and adolescents are not allowed to use the pruning saw. Excluded from this prohibition are young people over 16 years of age under the supervision of an expert for the purpose of training.


- Please note the warning symbols. They mark all those instructions which are important for safety reasons. Observe these instructions as failure to do so could result in serious injury!
- The pruning saw must be used only by one person at a time. Make sure bystanders do not stay in the vicinity of the pruning saw's work area.
- Check the safe operating condition of the pruning saw, in particular the guide bar and the saw chain, before each operation.
- Always have a safe stand when working with the saw.
- Hold the machine firmly and securely when switching on.
- Make sure the guide bar and the saw chain must be free when switched on and must not come into contact with the workpiece to be cut.
- Keep your hands away from the sawing area. Do not reach under the workpiece. Contact with the saw chain may result in injury.
- Guide the pruning saw onto the workpiece only when switched on. Otherwise there is a risk of kick-back if the saw chain gets caught in the workpiece.
- When sawing, the base plate must always face against the workpiece. The saw chain can become jammed and lead to loss of control over the machine.
- When the cut is completed, switch off the machine and then pull the saw chain out of the cut only after it has come to a standstill. This way you can avoid kick-back.
- Clamp the material to be processed well. Do not support the workpiece with your hand or foot. Do not touch objects or the floor with the saw running. Danger of kick-back.
- When sawing converted timber and thin branches, always use a strong support, such as a sawing trestle. Do not stack timber pieces.
- Before cutting logs, secure the logs in position.
- When working on sloping ground, make sure to work facing upwards.
- Be particularly careful when cutting splintered wood. Splinters of wood can be torn along by the saw chain and increase the risk of injury!
- Foreign objects such as nails, screws, metal parts, sand, etc. lead to increased wear on the guide bar and saw chain.
- A blunt saw chain can cause overheating and damage to the motor.
- Always remove the battery when checking the chain tension, to re-tighten it, to mount the saw chain and to eliminate faults! Also remove the battery if you do not use the machine temporarily.


Battery & Charger Safety Instructions

We pay a great deal of attention to the design of every battery pack to ensure that we supply you with batteries that are safe, durable and have a high energy density. The battery cells have a wide range of safety devices. Each individual cell is initially formatted and its electrical characteristic curves are recorded. This data is then used exclusively to be able to assemble the best possible battery packs.

Despite all the safety precautions, caution must always be exercised when handling batteries. The following points must be obeyed at all times to ensure safe use. Safe use can only be guaranteed if undamaged cells are used. Incorrect handling of the battery pack can cause cell damage.


IMPORTANT! Analyses confirm that incorrect use and poor care of high-performance batteries are the main factors responsible for personal and/or product damage.

 **WARNING!** Use only approved replacement batteries; other batteries may damage the cordless pruning saw and cause it to malfunction, which can lead to serious personal injury.

 **WARNING!** Do not use a battery pack or appliance that is damaged or modified. Damaged or modified batteries may exhibit unpredictable behavior resulting in fire, explosion or risk of injury.

Do not modify or attempt to repair the appliance or the battery pack except as indicated in the instructions for use and care.

Have your battery pack serviced by a qualified repair person using only identical replacement parts. This will ensure that the safety of the battery pack is maintained.


 **CAUTION!** To reduce the risk of injury, charge the 24V iON+ lithium-ion battery pack only in its designated 24V iON+ lithium-ion charger. Other types of chargers present risk of fire, personal injury and damage. Do not wire a battery pack to a power supply plug or car cigarette lighter. Such misuse will permanently disable or damage the battery pack.

- **Avoid dangerous environments** – Do not charge the battery pack in rain, snow or in damp or wet locations. Do not use the battery pack or charger in the presence of explosive atmospheres (gaseous fumes, dust or flammable materials) because sparks may be generated when inserting or removing the battery pack, which could lead to a fire.

- **Charge in a well-ventilated area** – Do not block the charger vents. Keep them clear to allow for proper ventilation. Do not allow smoking or open flames near a charging battery pack. Vented gases may explode.

NOTE: The safe temperature range for the battery is 41°F – 105°F (5°C – 40.5°C). Do not charge the battery outside in freezing weather; charge it at room temperature.

- **Maintain charger cord** – When unplugging the charger, pull the plug, not the cord, from the receptacle to reduce the risk of damage to the electrical plug and cord. Never carry the charger by its cord or yank it by the cord to disconnect it from the receptacle. Keep the cord away from heat, oil and sharp edges. Make sure the cord will not be stepped on, tripped over or subjected to damage or stress when the charger is in use. Do not use the charger with a damaged cord or plug. Replace a damaged charger immediately.
- **Do not use an extension cord unless it is absolutely necessary** – Using the wrong, damaged or improperly wired extension cord poses a risk of fire and electric shock. If an extension cord must be used, plug the charger into a properly wired 16 gauge or larger extension cord with the female plug matching the male plug on the charger. Make sure that the extension cord is in good electrical condition.
- **Charger XZ2600-0450 is rated for 100 – 240 volt AC only** – The charger must be plugged into an appropriate receptacle.
- **Use only recommended attachments** – Use of an attachment not recommended or sold by the battery charger or battery pack manufacturer may result in risk of fire, electric shock or personal injury.
- **Unplug charger when not in use** – Make sure to disconnect battery pack from unplugged charger.

 **WARNING!** To reduce the risk of electric shock, always unplug the charger before performing any cleaning or maintenance. Do not allow water to flow into the charger. Use a Ground Fault Circuit Interrupter (GFCI) to reduce shock hazards.

- **Do not burn or incinerate the battery pack** – The battery pack may explode, causing personal injury or damage. Toxic fumes and materials are created when battery pack is burned.
- **Do not crush, drop or damage battery pack** – Do not use the battery pack or charger if they have sustained a sharp blow, been dropped, run over or have been damaged in any way (i.e. pierced with a nail, hit with a hammer, stepped on, etc.).
- **Do not disassemble** – Incorrect reassembly may pose a serious risk of electric shock, fire or exposure to toxic battery chemicals. If the battery or charger is damaged, contact an authorized Snow Joe® + Sun Joe® dealer or call the Snow Joe® + Sun Joe® customer service center at 1-866-SNOWJOE (1-866-766-9563) for assistance.
- **Battery chemicals cause serious burns** – Never let a damaged battery pack contact the skin, eyes or mouth. If a damaged battery pack leaks battery chemicals, use rubber or neoprene gloves to safely dispose of it. If skin is exposed to battery fluids, wash the affected area with soap and water and rinse with vinegar. If eyes are exposed to battery chemicals, immediately flush with water for 20 minutes and seek medical attention. Remove and dispose of contaminated clothing.
- **Do not short circuit** – A battery pack will short circuit if a metal object makes a connection between the positive and negative contacts on the battery pack. Do not place a battery pack near anything that may cause a short circuit, such as

paper clips, coins, keys, screws, nails and other metallic objects. A short-circuited battery pack poses a risk of fire and severe personal injury.

- **Store your battery pack and charger in a cool, dry place** – Do not store the battery pack or charger where temperatures may exceed 105°F (40.5°C), such as in direct sunlight or inside a vehicle or metal building during the summer.

Information about the battery

1. The battery pack supplied with your cordless pruning saw is only partially charged. The battery pack has to be charged completely before you use the tool for the first time.
2. For optimum battery performance, avoid low discharge cycles by charging the battery pack frequently.
3. Store the battery pack in a cool place, ideally at 77°F (25°C) and charged to at least 40%.
4. Lithium-ion batteries are subject to a natural aging process. The battery pack must be replaced at the latest when its capacity falls to just 80% of its capacity when new. Weakened cells in an aged battery pack are no longer capable of meeting the high power requirements needed for the proper operation of your pruning saw, and therefore pose a safety risk.
5. Do not throw battery pack into an open fire as this poses a risk of explosion.
6. Do not ignite the battery pack or expose it to fire.
7. Do not exhaustively discharge the battery. Exhaustive discharge will damage the battery cells. The most common cause of exhaustive discharge is lengthy storage or non-use of partially discharged batteries. Stop working as soon as the performance of the battery falls noticeably or the electronic protection system triggers. Place the battery pack in storage only after they have been fully charged.
8. Protect the battery and the tool from overloads. Overloads will quickly result in overheating and cell damage inside the battery housing even if this overheating is not apparent externally.
9. Avoid damage and shocks. Immediately replace batteries that have been dropped from a height of more than one meter or those that have been exposed to violent shocks, even if the housing of the battery pack appears to be undamaged. The battery cells inside the battery may have suffered serious damage. In such instances, please read the waste disposal information for proper battery disposal.
10. If the battery pack suffers overloading and overheating, the integrated protective cutoff will switch off the equipment for safety reasons.
IMPORTANT! Do not press the ON/OFF switch any more if the protective cutoff has been activated. This may damage the battery packs.
11. Use only original battery packs. The use of other batteries poses a fire risk and may result in injuries or an explosion.

Information about the charger and the charging process













1. Please check the data marked on the rating plate of the battery charger. Be sure to connect the battery charger to a power supply with the voltage marked on the rating plate. Never connect it to a different mains voltage.
2. Protect the battery charger and its cord from damage. Keep the charger and its cord away from heat, oil and sharp edges. Have damaged cords repaired without delay by a qualified technician at an authorized Snow Joe® + Sun Joe® dealer or call the Snow Joe® + Sun Joe® customer service center at 1-866-SNOWJOE (1-866-766-9563).
3. Electrical plugs must match the outlet. Never modify the plug in any way. Do not use any adapter plugs with grounded appliances. Unmodified plugs and matching outlets will reduce the risk of electric shock.
4. Keep the battery charger, battery pack and the cordless tool out of the reach of children.
5. Do not use the supplied battery charger to charge other cordless tools.
6. During periods of heavy use, the battery pack will become warm. Allow the battery pack to cool to room temperature before connecting it to the charger to recharge.
7. Do not overcharge the battery. Do not exceed the maximum charging times. These charging times only apply to discharged battery. Frequent insertion of a charged or partially charged battery pack will result in overcharging and cell damage. Do not leave the battery in the charger for days on end.
8. Never use or charge the battery if you suspect that it has been more than 12 months since the last time it was charged. There is a high probability that the battery pack has already suffered dangerous damage (exhaustive discharge).
9. Charging the battery at a temperature below 41 °F (5 °C) will cause chemical damage to the cells and may cause a fire.
10. Do not use batteries that have been exposed to heat during the charging process, as the battery cells may have suffered dangerous damage.
11. Do not use batteries that have suffered curvature or deformation during the charging process or those that exhibit other atypical symptoms (gassing, hissing, cracking, etc.).
12. Never fully discharge the battery pack (maximum recommended depth of discharge is 80%). A complete discharge of the battery pack will lead to premature aging of the battery cells.

Protection from environmental influences

1. Wear suitable work clothes. Wear safety goggles.
2. Protect your cordless tool and the battery charger from moisture and rain. Moisture and rain can cause dangerous cell damage.
3. Do not use the cordless tool or the battery charger near vapors and flammable liquids.
4. Use the battery charger and cordless tools only in dry conditions and at an ambient temperature of 41°F – 105°F (5°C – 40.5°C).
5. Do not keep the battery charger in places where the temperature is liable to reach over 105°F (40.5°C). In particular, do not leave the battery charger in a car that is parked in the sunshine.
6. Protect the battery from overheating. Overloads, overcharging and exposure to direct sunlight will result in overheating and cell damage. Never charge or work with a battery that has been overheated – replace it immediately, if possible.
7. Store the charger and your cordless tool only in dry locations with an ambient temperature of 41°F – 105°F (5°C – 40.5°C). Store your lithium-ion battery pack in a cool, dry place at a temperature of 77°F (25°C). Protect the battery pack, charger and cordless tool from humidity and direct sunlight. Only place fully charged battery in storage (charged to at least 40%).
8. Prevent the lithium-ion battery pack from freezing. Battery pack that was stored below 32°F (0°C) for more than 60 minutes must be discarded.
9. When handling batteries, be wary of electrostatic charge. Electrostatic discharges can damage the electronic protection system and the battery cells. Avoid electrostatic charging and never touch the battery poles.

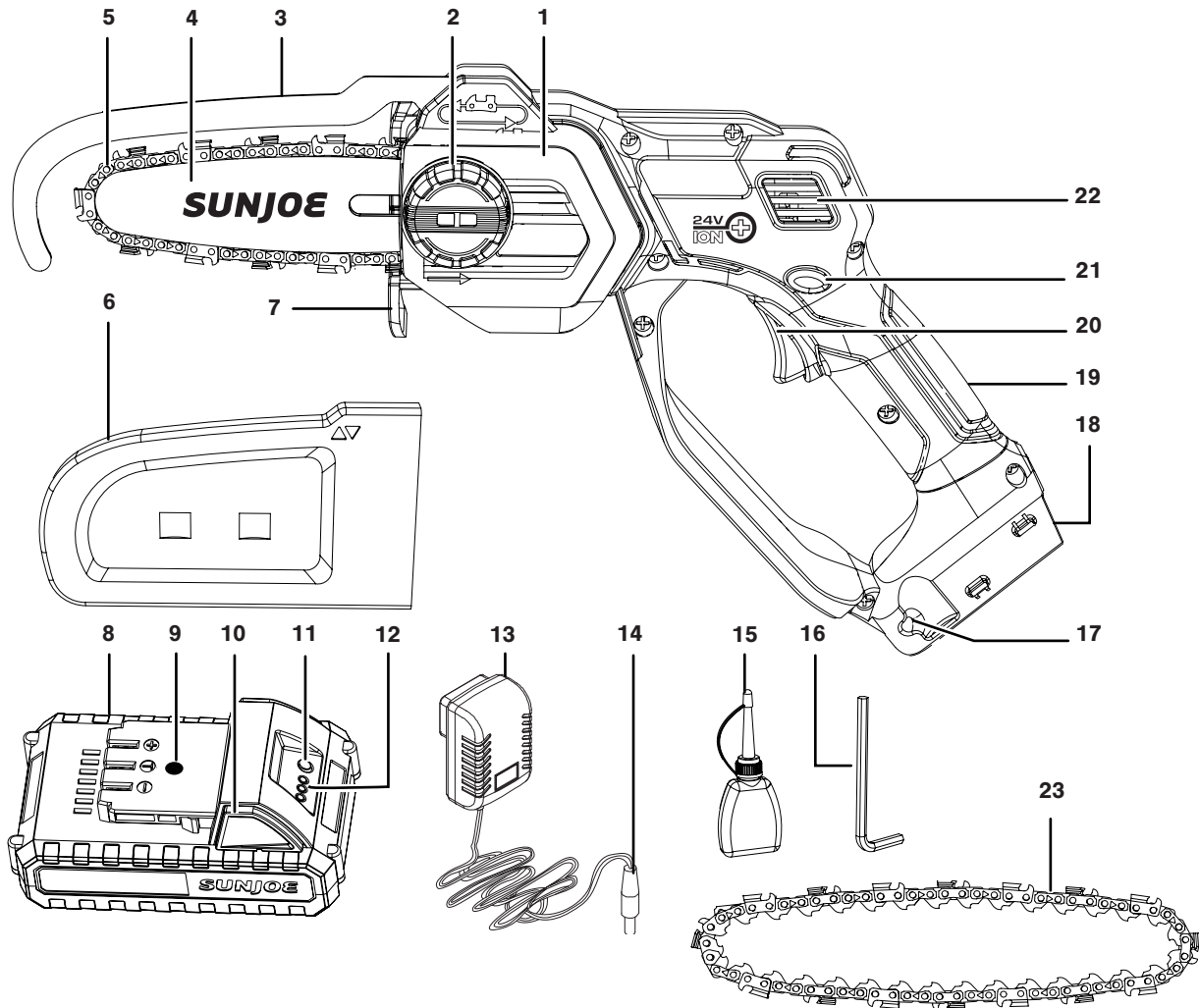
Safety Symbols

The following table depicts and describes safety symbols that may appear on this product. Read, understand, and follow all instructions on the machine before attempting to assemble and operate.

Symbols	Descriptions	Symbols	Descriptions
	READ THE OPERATOR'S MANUAL(S) – Read, understand and follow all instructions in the user manual(s) before attempting to assemble and operate.		SAFETY ALERT – Indicates a precaution, a warning or a danger.
 	WEAR EYE AND HEARING PROTECTION – For protection against injury, wear ear defenders, safety goggles, and head protection.	 	CAUTION! Avoid contacting the guide bar tip with any object. Tip contact may cause the guide bar to move suddenly upward and backwards, which may cause serious injury to the user.
	WARNING! Do not expose the unit to rain or wet conditions.		Correct direction of cutting teeth.
	Wear safety gloves during use to protect hands.		Wear safety footwear at all times to provide protection against objects that may accidentally fall on feet.
 STOP	The moving part will continuously run for several seconds after you turn off the machine.		Indoor use only. Only use battery charger indoors.

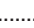
Know Your Cordless Pruning Saw

Read the owner's manual and safety instructions carefully before operating your cordless pruning saw. Compare the illustration below to the cordless pruning saw in order to familiarize yourself with the location of the various controls and adjustments. Save this manual for future reference.



- | | | |
|--|--|-------------------------|
| 1. Chain/sprocket end cover | 9. Charge socket | 16. Hex key wrench |
| 2. End cover knob | 10. Push lock button (2) | 17. Hex key wrench slot |
| 3. Riving knife | 11. Push button for battery indicator | 18. Battery compartment |
| 4. 5-inch (12.7 cm) guide bar | 12. Battery indicator | 19. Handle grip |
| 5. 5-inch (12.7 cm) cutting chain | 13. 24V iON+ lithium-ion charger (XZ2600-0450) | 20. On/Off switch |
| 6. Cutting bar sheath | 14. Charger plug | 21. Safety lock button |
| 7. Base plate | 15. Lubricating oil | 22. Ventilation slots |
| 8. 24V iON+ lithium-ion battery (24VBAT-LT) featuring exclusive EcoSharp® technology | | 23. Bonus cutting chain |

Technical Data

Motor	230 W
Battery Voltage Max*	24V D.C.
Battery Capacity	2.5 Ah
Charger Input	100 – 240V AC, 50 – 60 Hz, 0.4A
Charger Output	26V DC  450 mA
Charge Time Max	5 hrs 30 min
Bar/Chain Length	5 inch (12.7 cm)
Cutting Thickness Max	4.5 in. (11.4 cm)
Oil Bottle Capacity	0.7 Fl oz (20 ml)
Net Weight	4.2 lbs (1.9 kg)

*Initial no-load voltage, when fully charged, peaks at 24 volts; nominal voltage under typical load is 21.6 volts.

Unpacking

Carton Contents

- Cordless pruning saw with chain and bar pre-assembled
- Cutting bar sheath (assembled on the chain and bar)
- Bonus cutting chain
- Hex key wrench (in the storage slot)
- 0.7 Fl oz (20 ml) lubrication oil
- 24V iON+ lithium-ion battery
- 24V iON+ lithium-ion battery charger
- Manual with registration card

1. Carefully remove the cordless pruning saw and check to see that all of the above items are supplied.
2. Inspect the product carefully to make sure no breakage or damage occurred during shipping. If you find damaged or missing parts, DO NOT return the unit to the store. Please call the Snow Joe® + Sun Joe® customer service center at 1-866-SNOWJOE (1-866-766-9563).

NOTE: Do not discard the shipping carton and packaging material until you are ready to use your new cordless pruning saw. The packaging is made of recyclable materials. Properly dispose of these materials in accordance with local regulations.

IMPORTANT! The equipment and packaging material are not toys. Do not let children play with plastic bags, foils, or small parts. These items can be swallowed and pose a suffocation risk!





Battery Pack Operation

The equipment is powered by a lithium-ion battery. The battery pack is completely sealed and maintenance free.

Battery Charge Level Indicator

The battery pack is equipped with a push button for checking the charge level. Simply press the push button to read off the battery charge level from the LEDs of the battery indicator:

- All 3 level monitoring LEDs are lit: Battery charge level is high.
- 2 level monitoring LEDs are lit: Battery charge level is decreasing. Stop work as soon as possible.
- 1 level monitoring LED is lit: Battery is flat. Stop work IMMEDIATELY and charge the battery. Otherwise the battery's service life will be greatly shortened.

Lights	Light Indicators
	Charge level button
	The battery is at 30% capacity and requires charging
	The battery is at 60% capacity and requires charging soon
	The battery is at full capacity

NOTE: If the charge level button does not appear to be working, connect to the charger and charge as needed.

NOTE: Immediately after using the battery pack, the charge level button may display a lower charge than it will if checked a few minutes later. The battery cells "recover" some of their charge after resting.

Charger Operation

⚠ WARNING! Charge only 24V iON+ lithium-ion battery pack with its compatible 24V iON+ lithium-ion charger. Other types of batteries may cause personal injury and damage.

To reduce the risk of electric shock, do not allow water to flow into the charger's AC/DC plug.

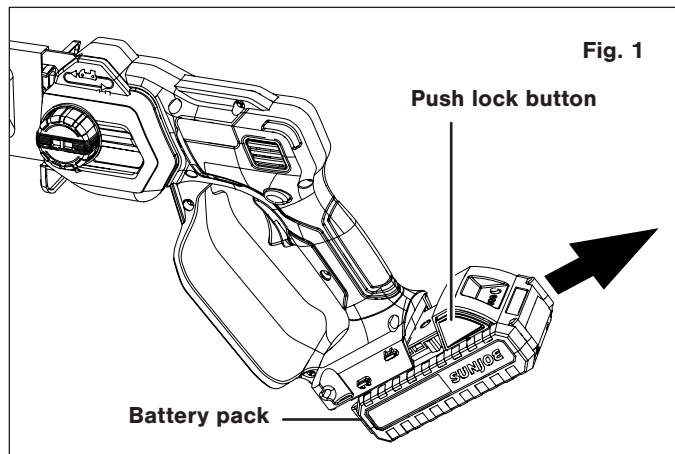
When to Charge the iON+ 24VBAT-LT Lithium-iON Battery

NOTE: The iON+ 24VBAT-LT lithium-iON battery pack does not develop a "memory" when charged after only a partial discharge. Therefore, it is not necessary to run down the battery pack before inserting the charger plug.

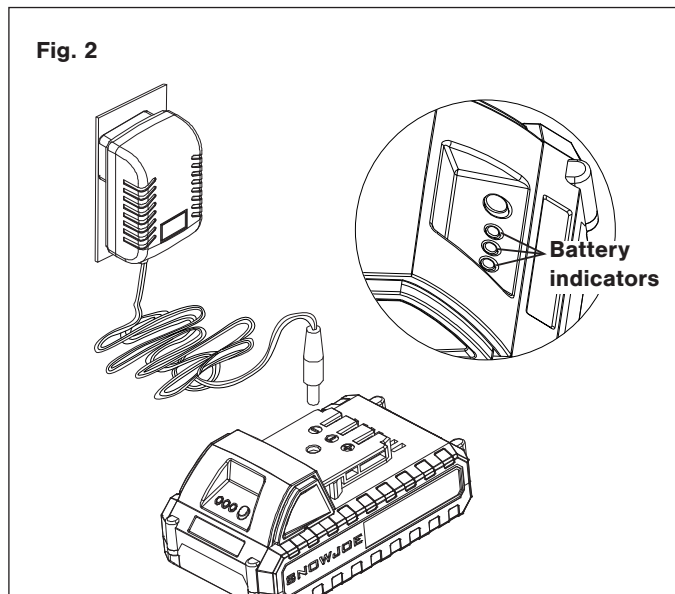
- Use the battery indicator lights to determine when to charge your iON+ 24VBAT-LT lithium-iON battery pack.
- You can "top-off" your battery pack's charge before starting a big job or after a long day of use.

Charging the Battery

1. Press the push lock buttons on the battery to pull it out of the equipment (Fig. 1).



2. Check that the mains voltage is the same as that marked on the rating plate of the battery charger. Then, plug the charger adapter into an appropriate AC power outlet. Connect the charger plug into the charge socket of the battery to start charging (Fig. 2).



3. The battery will take approximately 5 hours to charge. The battery indicator LEDs will twinkle and illuminate one by one during the charging process. Unplug the charger immediately when the 3 LEDs are all illuminated.

CAUTION! FIRE HAZARD. When disconnecting the charger from the battery, be sure to unplug the charger from the outlet first, then disconnect the charger from the battery.

WARNING! This charger does not automatically turn off when the battery is fully charged. Please take care not to leave the battery plugged into the charger. Switch off or unplug the charger at the mains when charging is complete.

4. Timely recharging of the battery will help prolong the battery's life. You must recharge the battery pack when you notice a drop in the equipment's power.

IMPORTANT! Never allow the battery pack to become fully discharged as this will cause irreversible damage to the battery.

Preparing To Work

Checking the Machine

WARNING! Before performing any checks, adjustments, repairs or maintenance on the machine, make sure the battery is not inserted in the compartment.

Before starting work please:

- Check that all the screws on the machine and the guide bar are tightly fastened.
- Check that the chain is tensioned correctly, sharp and there are no signs of any damage.
- Check that hand grip and protection devices are clean and dry, correctly mounted and securely fastened to the machine.
- Check that the On/Off switch and the safety lock button move freely without forcing and return automatically and rapidly back to their neutral positions.
- Check that the On/Off switch remains locked until the safety lock button is pressed.
- Make sure the ventilation slots are not clogged with sawdust or debris.

Break-in Time for New Chains

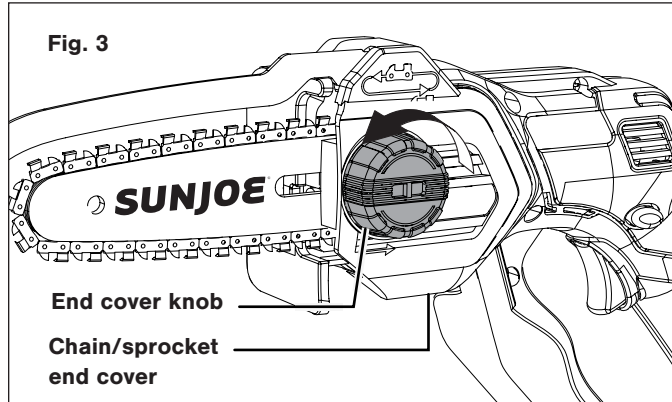
For safety operation, it's recommended to run through the below break-in tips every time a new chain is installed.

1. Remove the battery and adjust the chain tension.
2. Insert the battery and switch on the pruning saw and leave the motor running idle for approx. 5 minutes.
3. Remove the battery and check the chain tension again. If necessary, re-tighten the chain.
4. Afterwards make only easy cuts for approx. 30 minutes. Always ensure sufficient lubrication of the saw chain! Only use the pruning saw for heavier cuts and greater cutting depths after the break-in period.

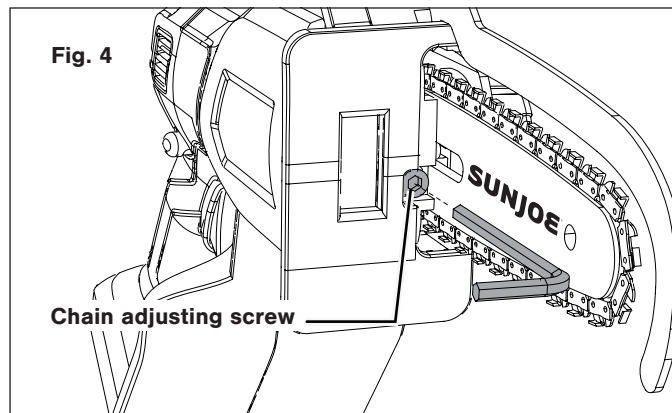
Adjusting the Chain Tension

⚠️ WARNING! Use protective gloves when handling the bar and chain.

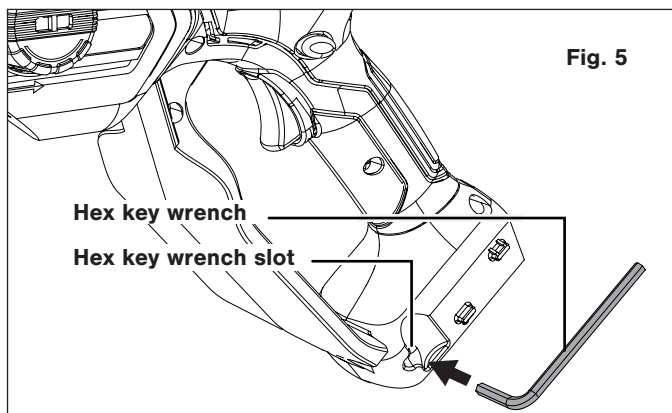
1. Make sure the pruning saw is shut off and the battery is removed. Loosen the sprocket/chain end cover a little by turning the end cover knob counterclockwise (Fig. 3).



2. Use the equipped hex key wrench to turn the chain adjusting screw clockwise to tighten; turn it counterclockwise to loosen. A cold chain will be correctly tensioned when there is no slack on the underside of the guide bar; the chain is snug, but it can be turned by hand without binding (Fig. 4).



NOTE: When not in use, the hex key wrench can be stored in the hex key wrench slot located on the bottom of the pruning saw (Fig. 5).



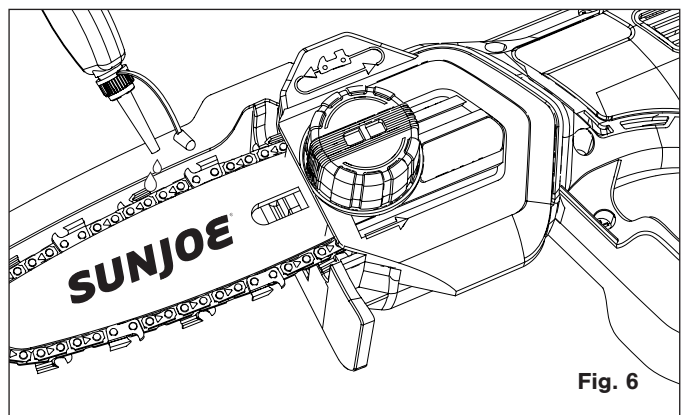
3. Retighten the end cover knob. Using a screwdriver, run the chain along the guide bar to check that it moves smoothly.

Chain Lubricant

IMPORTANT! Only use a good quality bar and chain oil designed specifically for use with chain saws to ensure optimal lubrication of the cutting parts. Do not use oil containing impurities.

IMPORTANT! The chain lubricating oil is bio-degradable. The use of mineral oil or engine oil can have a serious impact on the environment. It is essential that you use good quality oil to lubricate the cutting parts effectively. Used or poor quality oil does not guarantee good lubrication and reduces the lifespan of the chain and bar.

Before lubricating the pruning saw, clean the guide bar and saw chain with a soft brush. Then drop the oil between the chain and the bar. Insert the battery and switch on the pruning saw. The oil will be evenly distributed over the chain. For optimal cutting result, lubricate the saw every 30 minutes during operation. When storing the unit for a long period of time (3 months or longer), be sure the chain is lightly lubricated; this will prevent rust on the chain and bar sprocket (Fig. 6).



Operation

Starting and Stopping

⚠️ CAUTION! Starting, stopping, and restarting an electric motor repeatedly within a few seconds can generate a great deal of heat and damage the motor. To protect the life of your cordless pruning saw, always wait at least five seconds after stopping before restarting the saw.

⚠️ WARNING! Be sure that the chain is not in contact with any object when you start the motor.

⚠️ WARNING! Keep hands away from chain. Keep hand on handle. Do not overreach.

A good, firm grip on the tool will help you maintain control. Maintain a firm grip by placing your hand on the handle with thumb and fingers encircling the grip. A firm grip combined with proper positioning of the saw will help you maintain control of the saw. Do not let go of the saw while it is in operation.

⚠️ WARNING! Do not operate the cordless pruning saw in a tree, on a ladder, or on a scaffold. Using the tool under such circumstances is extremely dangerous.

⚠️ CAUTION! The chain will continue to run for several seconds after turning off the tool.

Do not use the pruning saw under wet conditions. Use extreme caution when cutting small brush, saplings, or limbs under tension because slender and tense material may catch the saw and be whipped toward you, pull you off balance, or spring back.

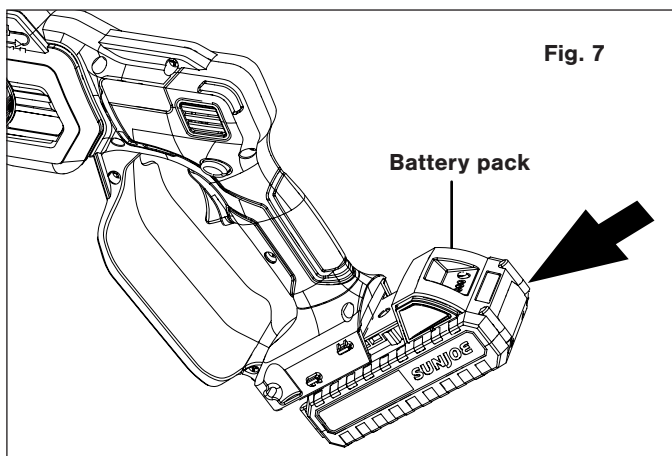
Do not use the saw to cut vines and/or small underbrush.

⚠️ WARNING! Do not let familiarity with this type of tool prevent you from taking all necessary precautions. Remember that a careless fraction of a second is sufficient to inflict serious injury.

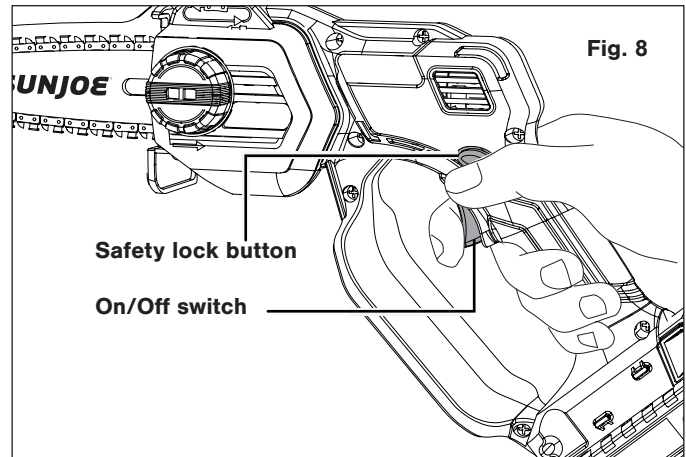
⚠️ WARNING! Do not cut branches near electrical wires.

⚠️ WARNING! Failure to lubricate the chain will cause damage to the bar and chain. Use only a good quality bar and chain oil designed specifically for use with chain saws.

1. Prior to each cutting session, run through the daily checklist (see pg. 17).
2. Insert the battery in the battery compartment. Push to make sure it is locked in place (Fig. 7).



3. To turn the tool on, hold the pruning saw firmly on the handle grip. Press the safety lock button, and squeeze the ON/Off switch. When the pruning saw is running, you can release the safety lock button (Fig. 8).



4. To turn the tool off, simply release the On/Off switch.

NOTE: Do not squeeze the On/Off switch until you are ready to make a cut.

Operating Tips

⚠️ WARNING! For your safety and that of others:

1. Do not use the machine without reading the instructions carefully. Become acquainted with the controls and the proper use of the machine. Learn how to stop the machine quickly.
2. Keep in mind that the operator or user is responsible for accidents or hazards occurring to other people or their property.
3. Always wear suitable clothing when using the machine. Wear anti-vibration gloves and other personal protective equipment.

All the above-mentioned precautions do not, however, guarantee the prevention of certain risks – i.e. Raynaud's phenomenon or Carpal tunnel syndrome. For operators who use this machine for prolonged periods, it is therefore recommended to have periodic checkups on their hands and fingers. If any of the above mentioned symptoms should appear, please contact a physician immediately.

4. Work only in daylight or good artificial light.
5. Take utmost care when working near metal fences.
6. Take care not to hit the bar hard against foreign objects or flying debris caused by the movement of the chain.
7. Never reach over the riving knife or under the base plate. There is a risk of injury!
8. Do not start the saw if the saw chain is in contact with any object, is in the workpiece or may hit an object. This can lead to serious injuries.
9. Clamp loose workpieces before cutting them. Remove foreign objects such as nails, screws, etc.
10. When cutting a branch that is under tension, be alert for spring back. When the tension in the wood fibers is released, the spring-loaded limb may strike the operator and/or throw the saw out of control.

11. Use extreme caution when cutting brush and saplings. The slender material may catch the saw chain and be whipped toward you or pull you off balance.

12. When the saw chain is running, place the base plate on the surface of the workpiece and let the saw cut on its own. Apply only light pressure to the saw.

NOTE: The base plate helps to stabilize the saw and even the material that being cut. It can also reduce the vibration of the saw significantly. The base plate also acts like the fulcrum for deep cuts because it raises the back end of the saw. Using the base plate like a pivot point allows you to go deep in the material with precise control.

13. Stop the motor and remove the battery from the compartment:

- Whenever you leave the machine unattended;
- Before cleaning, checking or servicing the machine;
- After striking a foreign object. Inspect the machine for any damage and make repairs before restarting it again;
- If the machine begins to vibrate abnormally, immediately look for the cause of the vibrations and have the machine inspected at an authorized Snow Joe® + Sun Joe® dealer or call the Snow Joe® + Sun Joe® customer service center at 1-866-SNOWJOE (1-866-766-9563) for assistance;
- When the machine is not in use.

IMPORTANT! Always remember that an incorrectly used pruning saw may disturb others and have a serious impact on the environment.

To respect people and the environment:

- Avoid using the machine in environments or at times of the day when it may disturb others.
- Scrupulously comply with local regulations and provisions for the disposal of waste materials after sawing.
- Scrupulously comply with local regulations and provisions for the disposal of oils, damaged parts or any elements which have a strong impact on the environment.
- A certain amount of chain lubricating oil is released into the environment when the machine is running, so only use biodegradable oils made specifically for this use.
- To avoid the risk of fire, do not leave the machine with the motor hot on leaves or dry grass.

⚠ WARNING! It takes specific training to use this tool.

Checks During Work

- **Checking the chain tension**

The chain tends to stretch gradually as you work, so you need to check its tension frequently.

IMPORTANT! During the first period of use (or after replacing the chain), the chain tension must be checked more frequently due to settling of the chain.

⚠ WARNING! Never work with the chain loose, as it can be hazardous if the chain slips out of its guide.

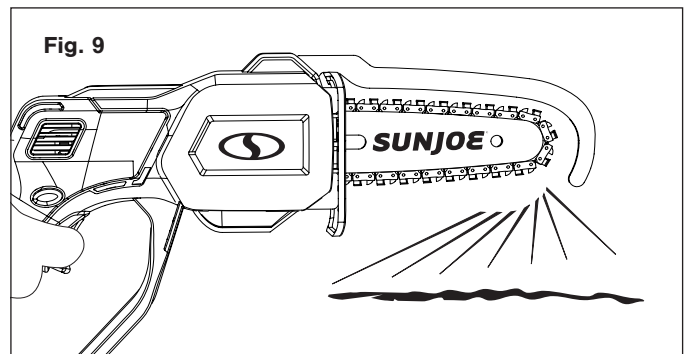
To adjust the chain tension, follow the instructions in “Adjusting the Chain Tension” on page 11.

- **Checking the oil delivery**

IMPORTANT! Never use the machine without lubrication! Make sure you lubricate the cutting area before and after using, and every 30 minutes during operation. For best results, use only a good quality bar and chain oil designed specifically for use with chain saws. Check the oil delivery as described below every time after lubricating the chain.

⚠ WARNING! Make sure the bar and the chain are in place when you check the oil delivery.

Start the motor and check if the chain oil is delivered as shown below (Fig. 9).



Basic Cutting Procedures

⚠ WARNING! This unit is designed for trimming branches and limbs up to 4.5 in. (11.4 cm), not to exceed a max. cut of 4.5 in. (11.4 cm) in diameter depending on type of wood. Practice cutting a few small limbs using the following technique to get the “feel” of using the saw before you begin a major sawing operation.

- Grip the saw firmly on the handle grip.
- Squeeze the trigger switch and let the chain accelerate to full speed before entering the cut.
- Keep the unit running the entire time you are cutting, maintaining a steady speed.
- Let the chain do the work; exert only light downward pressure. If you force the cut, damage to the bar, chain, or unit can result.
- Do not put the pressure on the saw at the end of the cut.
- Always cut with both feet on solid ground to prevent falling.
- Do not cut above chest height since it is difficult to control kickback forces with a saw held high.

Maintenance

Please contact an authorized Snow Joe® + Sun Joe® dealer or call the Snow Joe® + Sun Joe® customer service center at 1-866-SNOWJOE (1-866-766-9563) for all maintenance operations not foreseen in this manual. Any operation performed in an unauthorized service center or by unqualified personnel will completely invalidate the warranty.

⚠️ WARNING! For your safety and that of others:

- Correct maintenance is essential to maintain the original efficiency and safety of the machine over time.
- Keep all nuts, bolts, and screws tight to be sure the equipment is in safe working condition.
- Never use the machine with worn or damaged parts. Damaged parts are to be replaced and never repaired.
- Only use original Snow Joe® + Sun Joe® replacement parts. Parts that are not of the same quality can seriously damage the equipment, compromise safety, and invalidate the warranty.

⚠️ WARNING! Always remove the battery before performing any adjustments, maintenance, or repairs to your cordless pruning saw.

- Use protective gloves when handling the bar and chain.
- Keep the bar encased in its sheath, except when working directly on the bar or the chain.
- Never dispose of oils or other polluting materials in unauthorized places.

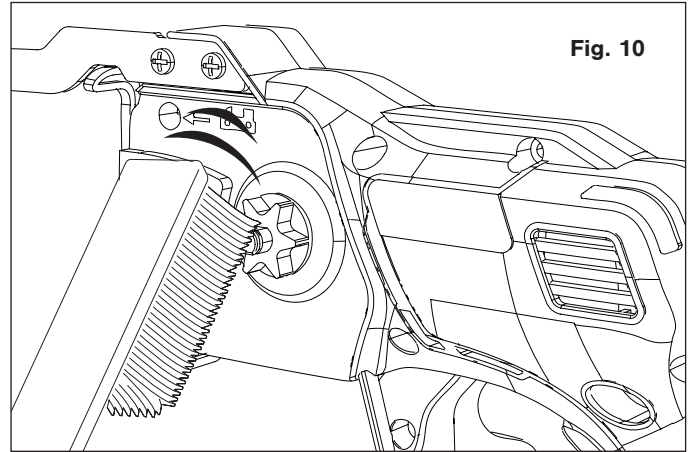
Motor Cooling

To avoid overheating and damage to the motor, always keep the ventilation slots clean and free of sawdust and debris.

General Cleaning

It's recommended to clean the pruning saw immediately after each use for best performance. Use a cloth, a paintbrush or a brush to remove dust and wood splinters. Always keep the ventilation slots clean and free from obstructions. Clean the housing of the pruning saw regularly with a damp cloth and somewhat soft soap. Do not use any cleaning or solvent materials. Make sure that no water or any other liquid can get inside the cordless power tool.

Clean the sprocket area with a brush or compressed air (Fig. 10).



Replacing the Guide Bar and Chain

NOTE: When replacing the guide bar and chain, use only identical replacement parts. Make sure the battery is not inserted in the compartment before proceeding with operation.

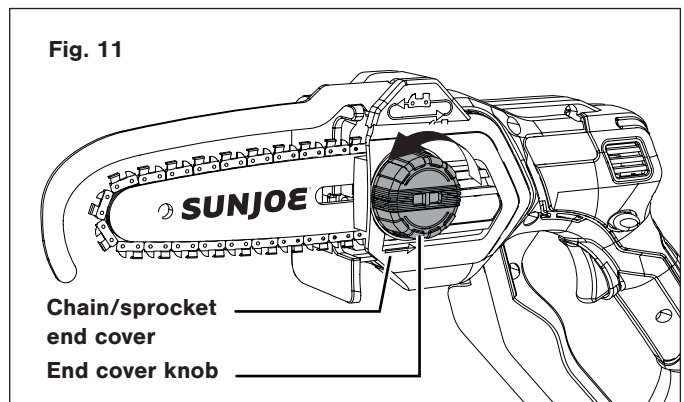
⚠️ WARNING! Always wear heavy-duty gloves when handling the bar and chain. Mount the bar and chain very carefully so as not to impair the safety and efficiency of the machine. If in doubt, contact an authorized Snow Joe® + Sun Joe® dealer or call the Snow Joe® + Sun Joe® customer service center at 1-866-SNOWJOE (1-866-766-9563).

⚠️ WARNING! The operation should be completed on a flat and stable surface, with adequate space for moving the machine and its components.

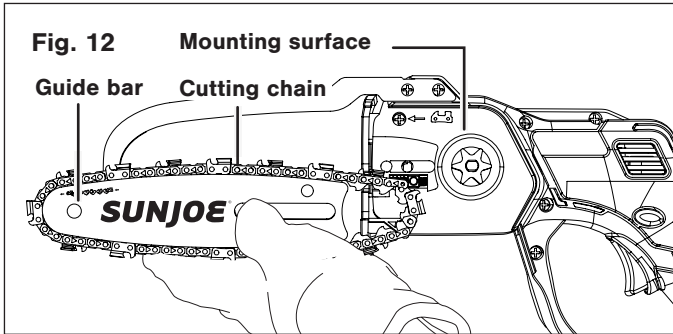
⚠️ DANGER! Never start the motor before installing the guide bar, chain, and sprocket cover. Without all these parts in place, the clutch can fly off or explode, exposing the user to potentially serious injuries.

When you first purchase your pruning saw, the chain and bar will come pre-assembled on the saw. Should you need to replace the chain in the future, follow the steps below.

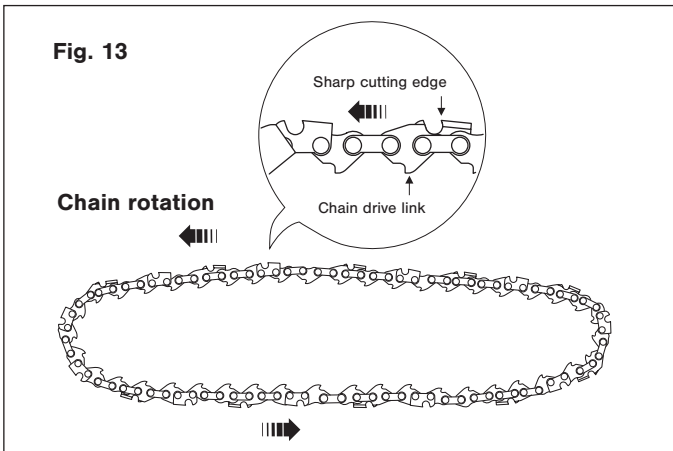
1. Screw the chain/sprocket end cover knob counterclockwise to release chain/sprocket end cover (Fig. 11).



- Remove the cutting bar and chain from the mounting surface (Fig. 12).

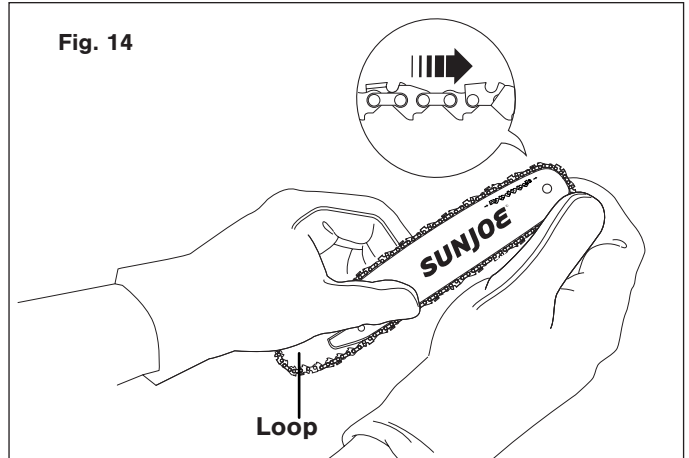


- Remove the old chain from the bar.
- Lay out the new saw chain in a loop and straighten any kinks. **THE SHARP SIDE OF THE TEETH MUST FACE AWAY FROM YOU IN THE DIRECTION OF THE CHAIN ROTATION INDICATED ON THE GUIDE BAR** ← ←. If the teeth face backwards, turn the loop over (Fig. 13).

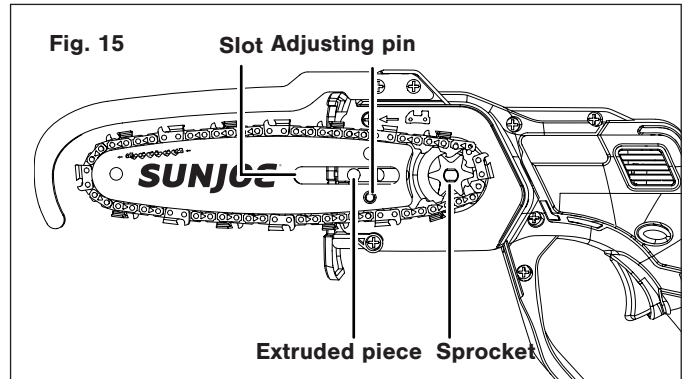


- Starting at the tip, mount the chain drive links into the bar groove, leaving a loop at the back of the bar. The chain will loosely fit until it is placed on the sprocket (Fig. 14).

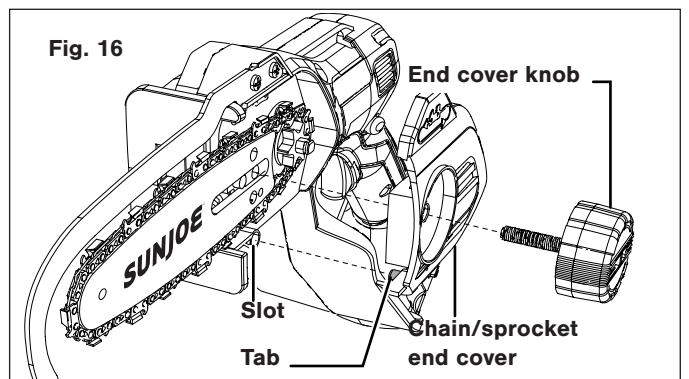
NOTE: Make certain of the direction of the chain. If the chain is mounted backwards, the saw will vibrate abnormally and will not cut.



- Hold the chain in position on the bar and place the loop around the sprocket. Fit the bar against the mounting surface so that the extruded piece on the mounting surface is in the long slot of the bar and the adjusting pin is in the chain tension pin hole (Fig. 15).



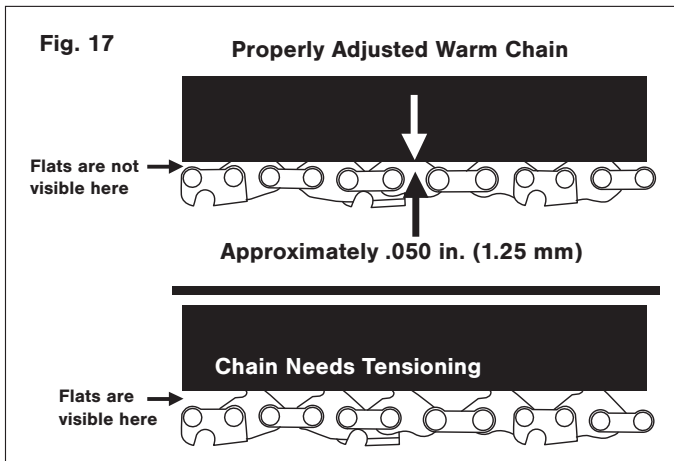
- While keeping the bar and chain against the mounting surface, adjust the chain tension as needed by adjusting the chain tensioner screw with the supplied hex key wrench. Turn the chain tensioner screw clockwise to tighten the chain, or counter-clockwise to loosen the chain (Fig. 4).
- Replace the chain/sprocket end cover by inserting the tab located on the bottom first into the slot and position the cover over the bar end. Tighten the end cover knob; leave the bar loose enough to move slightly for tension adjustment (Fig. 16).



Chain Tension

Check the chain tension before using the saw when the chain is cold. The correct tension of a cold chain is when there is no slack on the underside of the guide bar; the chain is snug, but you can rotate it by hand without binding.

During normal saw operation, the temperature of the chain will increase. The drive links of a correctly tensioned warm chain will hang approximately 0.050 in. (1.25 mm) out of the bar groove (Fig. 17). Be aware that a chain tensioned while warm may be too tight upon cooling. Check the “cold tension” before next use. The chain must be re-tensioned whenever the flats on the drive links hang out of the bar groove (Fig. 17).



Chain Sharpening

⚠️ WARNING! To ensure that the saw works safely and efficiently, it is essential that the cutting components are well-sharpened. **It is highly recommended to replace the chain once it loses its ability to cut cleanly and safely.** It is possible, however, to sharpen the existing chain if the sharpening is carefully performed. Any work on the chain and bar requires specific experience and special tools. For safety purposes, we recommend you contact an authorized Snow Joe® + Sun Joe® dealer or call the Snow Joe® + Sun Joe® customer service center at 1-866-SNOWJOE (1-866-766-9563).

Sharpening is necessary when:

- The sawdust looks like dust
- Cutting becomes more difficult
- The cut is not straight
- Vibrations increase

An authorized service center will sharpen the chain using the right tools to ensure minimum removal of material and even sharpness on all the cutting edges.

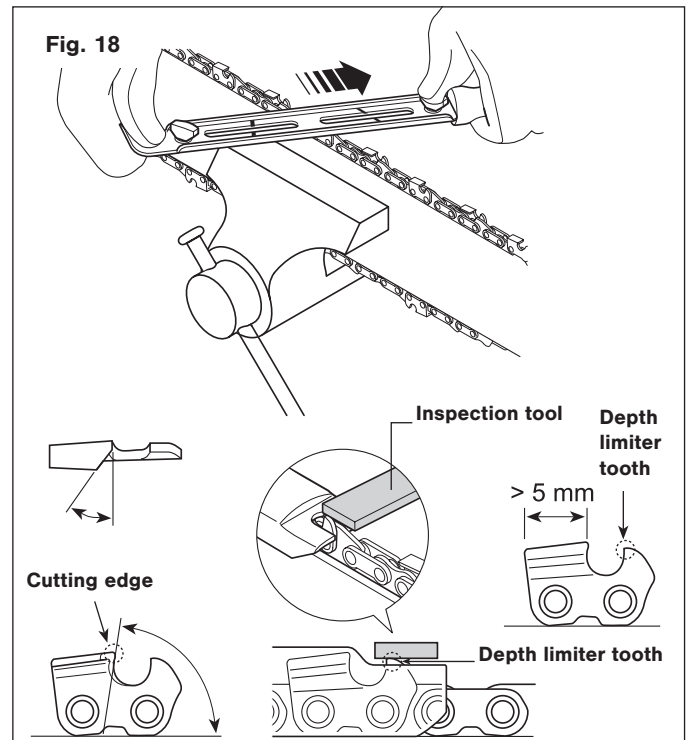
If you sharpen the chain by yourself, it's recommended to purchase Sun Joe® 24V-CSSHRP-LTE chain saw sharpener, which can be powered by the same 24V ION+ battery with this

cordless pruning saw. Visit sunjoe.com or call the Snow Joe® + Sun Joe® customer service center at 1-866-SNOWJOE (1-866-766-9563) to order.

Otherwise, use special round-section files with the right diameter depending on the type of chain (see “Chain Maintenance Table” pg. 18). You need a certain amount of skill and experience to avoid damaging the cutting edges.

Sharpen the chain as follows (Fig. 18):

- Secure the bar firmly, with the chain mounted, in a suitable vise.
- Tighten the chain if it is loose.
- Mount the file in the guide and then insert it in the tooth at a constant angle from the cutting edge.
- Sharpen in a forward motion a few times and repeat this on all the cutting edges facing the same way (right or left).
- To move the chain forward, use a screwdriver.
- Turn the bar over in the vise and repeat on all the other cutting edges.
- Check that the depth limiter tooth does not stick out farther than the inspection tool and file any projecting parts with a flat file, rounding off the edges (Fig. 18).
- After sharpening, remove all traces of filing and dust and lubricate the chain in an oil bath. Replace the chain whenever:
 - The length of the cutting edges decreases to 5 mm or less
 - There is too much play between the links and the rivets



Guide Bar Maintenance

When the guide bar shows signs of wear, turn it over on the saw to distribute the wear for maximum bar life. Feathering or burring of the bar rails is a normal process of bar wear. You should smooth such faults with a file as soon as they occur.

Replace a bar with any of the following faults:

- wear inside the bar rails permitting the chain to lay over sideways
- bent guide bar
- cracked or broken rails
- spread rails

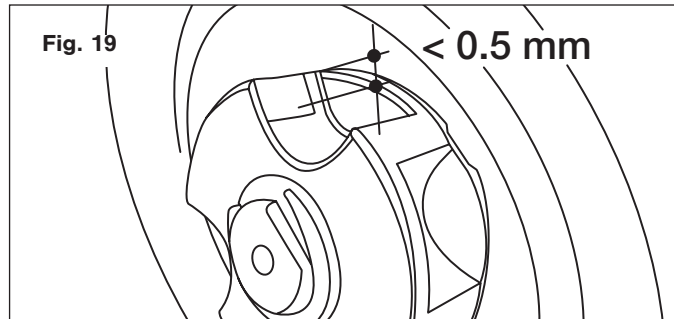
Turn the saw over, check the underside of the guide bar, and make sure that the lubrication holes and chain groove are free from impurities.

You can purchase replacement parts for your Sun Joe® 24V-HCSEC-LT cordless pruning saw by ordering online at sunjoe.com or, to order by phone, contact Snow Joe® + Sun Joe® customer service at 1-866-SNOWJOE (1-866-766-9563).

Chain Sprocket

Regularly check the condition of the sprocket and replace it when wear exceeds 0.5 mm (Fig. 19).

Do not mount a new chain with a worn sprocket or vice-versa.



Troubleshooting

Troubleshooting Tips

Most difficulties are easy to fix. Consult the troubleshooting table for common problems and their solutions. If you continue to experience problems or need repairs beyond these minor adjustments, please call 1-866-SNOWJOE (1-866-766-9563) for assistance.

⚠️ WARNING! Always remove the battery before performing any adjustments, maintenance, or repairs to your cordless pruning saw.

Troubleshooting Table

Problems	Corrective Action
The saw motor fails to start	<ul style="list-style-type: none"> • Make sure that the battery is inserted correctly • Check charge status and recharge the battery
The saw stops during operation	<ul style="list-style-type: none"> • Make sure that the battery is inserted correctly • Check charge status and recharge the battery • The machine is overloaded
The saw runs, but the chain speed is low	<ul style="list-style-type: none"> • The chain is too tight; re-tension.
Bar and chain running hot and smoking	<ul style="list-style-type: none"> • The chain tension is too tight; re-tension. • The chain needs to be lubricated: lubricate the chain with the oil.
The saw motor runs, but the chain is not turning	<ul style="list-style-type: none"> • The chain tension is too tight; re-tension. • The guide bar or chain is damaged; inspect and replace the damaged part.

Daily Checklist, Cleaning and Storage

Daily Checklist

To help maintain your cordless pruning saw for optimum performance, we recommend you complete this checklist prior to each work session.

⚠️ WARNING! Do not insert the battery until you have completed all of the daily checks.

- Inspect for any visible damage to the chain, guide bar, or motor housing.
- Inspect the guide bar rails and clean them to remove any debris.
- Check the chain tension.
- Check the chain teeth for sharpness.

NOTE: If you notice anything unusual, such as a vibration or odd sound, shut the saw OFF immediately. Remove the battery and check the saw for any damage.

If you cannot find the cause of the problem or are uncertain what to do, then have the saw inspected by an authorized Snow Joe® + Sun Joe® dealer or call the Snow Joe® + Sun Joe® customer service center at 1-866-SNOWJOE (1-866-766-9563) before using it.

⚠ CAUTION!

- Remove the battery and wait at least five minutes for the saw to cool before servicing or storing your unit.
- If you drop the saw, carefully inspect it for damage. If the guide bar is bent, the housing is cracked, the handle is broken, or if you see any other condition that may affect the saw's operation, **DO NOT USE** the tool. Instead, have it serviced at an authorized Snow Joe® + Sun Joe® dealer or call the Snow Joe® + Sun Joe® customer service center at 1-866-SNOWJOE (1-866-766-9563).

Cleaning

Use only mild soap and a damp cloth to clean the cordless pruning saw. Never let any liquid get inside the motor housing and **NEVER** immerse any part of the saw housing in liquid.

Storage

- Ensure that the guide bar cover is in place when storing.
- Do not store cordless pruning saw near chemicals, such as fertilizers or other harsh solvents. Do not expose the plastic parts of the unit to brake fluids, gasoline, petroleum-based products, penetrating oils, or the like. These products are often highly corrosive and may cause permanent damage, weaken, or destroy the plastic parts of your unit.
- When not in use, your machine should be stored indoors in a dry and high or locked-up place, out of the reach of children.

Battery Caution + Disposal

Always dispose of your battery pack according to federal, state, and local regulations. Contact a recycling agency in your area for recycling locations.

⚠ CAUTION! Even discharged battery packs contain some energy. Before disposing, use electrical tape to cover the terminals to prevent the battery pack from shorting, which could cause a fire or explosion.

⚠ WARNING! To reduce the risk of injury or explosion, never burn or incinerate a battery pack even if it is damaged, dead, or completely discharged. When burned, toxic fumes and materials are emitted into the surrounding atmosphere.

1. Batteries vary according to device. Consult your manual for specific information.
2. Install only new batteries of the same type in your product (where applicable).
3. Failure to insert batteries in the correct polarity, as indicated in the battery compartment or manual, may shorten the life of the batteries or cause batteries to leak.
4. Do not mix old and new batteries.
5. Do not mix Alkaline, Standard (Carbon-Zinc), or Rechargeable (Nickel Cadmium, Nickel Metal Hydride, or Lithium-Ion) batteries.
6. Do not dispose of batteries in fire.
7. Batteries should be recycled or disposed of as per state and local guidelines.

Service and Support

If your Sun Joe® 24V-HCSEC-LT cordless pruning saw requires service or maintenance, please call 1-866-SNOWJOE (1-866-766-9563) for assistance.

Model and Serial Numbers

When contacting the company, reordering parts, or arranging service from an authorized dealer, you will need to provide the model and serial numbers, which can be found on the decal located on the housing of the unit. Copy these numbers into the space provided below.

Record the following numbers from the housing or handle of your new product:

Model #:

| 2 | 4 | V | - | H | C | S | E | C | - | L | T | |

Serial #:


| | | | | | | | | | | | | | | | | | | | | | | |

Chain Maintenance Table

Drive Links	Chain Pitch		Chain Gauge		File Diameter	
	inches	mm	inches	mm	inches	mm
27	0.3	7.62	0.043	1.1	0.138	3.5

XZ2600-0450

Federal Communications Commission (FCC)

 **WARNING!** Any changes or modifications to this unit not expressly approved by the party responsible for compliance could void the user's authority to operate the equipment.

This device complies with part 15 of the FCC rules. Operation is subject to the following two conditions: (1) this device may not cause harmful interference, and (2) this device must accept any interference received, including interference that may cause undesired operation.

Class B Device:

NOTE: This equipment has been tested and found to comply with the limits for a Class B digital device, pursuant to part 15 of the FCC Rules.

These limits are designed to provide reasonable protection against harmful interference in a residential installation.

This equipment generates, uses and can radiate radio frequency energy and, if not installed and used in accordance with the instructions, may cause harmful interference to radio communications.

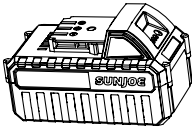
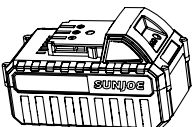
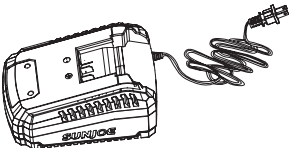
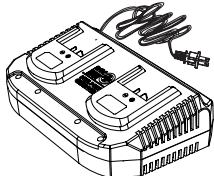
However, there is no guarantee that interference will not occur in a particular installation.



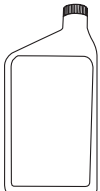
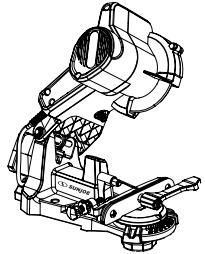
If this equipment does cause harmful interference to radio or television reception, which can be determined by turning the equipment off and on, the user is encouraged to try to correct the interference by one or more of the following measures:

- Reorient or relocate the receiving antenna.
- Increase the separation between the equipment and receiver.
- Connect the equipment to an outlet on a circuit different than the one the receiver is connected to.
- Consult the dealer or an experienced radio/TV technician for help.

Optional Accessories

⚠️ WARNING! ALWAYS use only authorized Snow Joe® + Sun Joe® replacement parts and accessories. NEVER use replacement parts or accessories that are not intended for use with this saw. Contact Snow Joe® + Sun Joe® if you are unsure whether it is safe to use a particular replacement part or accessory with your saw. The use of any other attachment or accessory can be dangerous and could cause injury or mechanical damage.

Accessories	Item	Model
	24V iON+ 4.0 Ah Lithium-Ion Battery	24VBAT
	24V iON+ 5.0 Ah Lithium-Ion Battery	24VBAT-XR
	24V iON+ Lithium-Ion Battery Quick Charger	24VCHRG-QC
	24V iON+ Lithium-Ion Dual Port Charger	24VCHRG-DPC

Accessories	Item	Model
<p>5</p> 	Sun Joe® 5-inch replacement bar	SWJ-5BAR
<p>6</p> 	Sun Joe® 5-inch replacement chain	SWJ-5CHAIN
<p>7</p> 	Bar and chain oil	SWJ-OIL Sold online at sunjoe.com or you can purchase equivalent bar and chain oil at your local hardware store
<p>8</p> 	Sun Joe® 24V iON+ Cordless Chain Saw Sharpener	24V-CSSHRP-LTE

NOTE: Accessories are subject to change without any obligation on the part of Snow Joe® + Sun Joe® to provide notice of such changes. Accessories can be ordered online at sunjoe.com or via phone by contacting the Snow Joe® + Sun Joe® customer service center at 1-866-SNOWJOE (1-866-766-9563).



SNOW JOE® + SUN JOE® CUSTOMER PROMISE

ABOVE ALL ELSE, Snow Joe, LLC (“Snow Joe”) is dedicated to you, our customer. We strive to make your experience as pleasant as possible. Unfortunately, there are times when a Snow Joe®, Sun Joe®, or Aqua Joe® product (“Product”) does not work or breaks under normal operating conditions. We think it’s important that you know what you can expect from us. That’s why we have a Limited Warranty (“Warranty”) for our Products.

OUR WARRANTY:

Snow Joe warrants new, genuine, powered and non-powered Products to be free from defects in material or workmanship when used for ordinary household use for a period of two years from the date of purchase by the original, end-user purchaser when purchased from Snow Joe or from one of Snow Joe’s authorized sellers with proof of purchase. Because Snow Joe is unable to control the quality of its Products sold by unauthorized sellers, unless otherwise prohibited by law, this Warranty does not cover Products purchased from unauthorized sellers. If your Product does not work or there’s an issue with a specific part that is covered by the terms of this Warranty, Snow Joe will elect to either (1) send you a free replacement part, (2) replace the Product with a new or comparable product at no charge, or (3) repair the Product. How cool is that!

This Warranty gives you specific legal rights, and you may also have other rights which vary from State to State.

PRODUCT REGISTRATION:

Snow Joe strongly encourages you to register your Product. You can register online at snowjoe.com/register, or by printing and mailing in a registration card available online from our website, or calling our Customer Service Department at **1-866-SNOWJOE (1-866-766-9563)**, or by e-mailing us at help@snowjoe.com. Failure to register your Product will not diminish your warranty rights. However, registering your Product will allow Snow Joe to better serve you with any of your customer service needs.

WHO CAN SEEK LIMITED WARRANTY COVERAGE:

This Warranty is extended by Snow Joe to the original purchaser and original owner of the Product.

WHAT IS NOT COVERED?

This Warranty does not apply if the Product has been used commercially or for non-household or rental applications. This Warranty also does not apply if the Product was purchased from an unauthorized seller. This Warranty also does not cover cosmetic changes that do not affect performance. Wearing parts like belts, augers, chains and tines are not covered under this Warranty, and can be purchased at snowjoe.com or by calling **1-866-SNOWJOE (1-866-766-9563)**.



MOTOSIERRA PODADORA INALÁMBRICA

24 V MÁX.* | 2.5 Ah | 12.7 CM | CADENA DE CORTE ADICIONAL

MANUAL DEL OPERADOR

Una división de Snow Joe, LLC


Modelo 24V-HCSEC-LT


Forma N° SJ-24V-HCSEC-LT-880S-M


¡IMPORTANTE! Instrucciones de seguridad

Todos los operadores deberán leer estas instrucciones antes del uso

Lea todas las advertencias de seguridad y todas las instrucciones. No seguir las advertencias e instrucciones puede causar un choque eléctrico, incendio y/o lesiones personales graves. Guarde todas las advertencias e instrucciones para futuras referencias.

 **¡PELIGRO!** Esto indica una situación peligrosa que, de no ser evitada, causará lesiones personales severas o la muerte.

 **¡ADVERTENCIA!** Esto indica una situación peligrosa que, de no ser evitada, puede causar lesiones personales severas o la muerte.


 **¡PRECAUCIÓN!** Esto indica una situación peligrosa que, de no ser evitada, puede causar lesiones personales menores o moderadas.

Uso indicado

Esta motosierra podadora inalámbrica ha sido diseñada y fabricada para el corte y podado de ramas de árboles y tallos, y para el corte de troncos pequeños de hasta un diámetro recomendado de 4.5 plg (11.4 cm), sin exceder un diámetro máximo de corte de 5.5 plg (14 cm), según el tipo de madera. Toda la madera a ser cortada con esta motosierra podadora inalámbrica no deberá ser más gruesa que el máximo grosor que su barra-guía pueda cortar.

Cualquier otro uso distinto a los mencionados anteriormente representa un peligro severo para el usuario y puede dañar tanto la herramienta como su propiedad privada. El uso incorrecto de la máquina invalidará la garantía, exonerando al fabricante de todas sus responsabilidades. El usuario será, consecuentemente, responsable de todos y cada uno de los daños o lesiones personales a sí mismo o a los demás.

Advertencias de seguridad para herramientas motorizadas en general

 **¡ADVERTENCIA!** Lea todas las advertencias de seguridad, instrucciones, ilustraciones y especificaciones suministradas con esta herramienta motorizada. No seguir las instrucciones indicadas a continuación puede resultar en un choque eléctrico, incendio y/o lesiones personales graves. Guarde todas las advertencias e instrucciones para futuras referencias.

Seguridad de área de trabajo

1. **Mantenga el área de trabajo limpia y bien iluminada:** las áreas abarrotadas y oscuras provocan accidentes.
2. **No opere herramientas motorizadas en atmósferas explosivas, tales como en presencia de líquidos, gases o polvos inflamables:** las herramientas motorizadas crean chispas que pueden encender líquidos, gases o polvos.
3. **Mantenga a los niños y transeúntes alejados mientras opera una herramienta motorizada:** las distracciones pueden hacer que usted pierda el control.

Seguridad eléctrica

1. **El enchufe de la herramienta motorizada debe encajar en el tomacorriente. Nunca modifique el enchufe de ninguna manera. No use ningún enchufe adaptador con herramientas motorizadas puestas a tierra (que tengan conexión a tierra):** los enchufes no modificados y tomacorrientes equivalentes reducirán el riesgo de un choque eléctrico.
2. **Evite el contacto de su cuerpo con superficies puestas a tierra tales como tuberías, radiadores, cocinas eléctricas y refrigeradoras:** hay un mayor riesgo de un choque eléctrico si su cuerpo está puesto a tierra.
3. **No maltrate el cable. Nunca use el cable para transportar, jalar o desenchufar esta herramienta motorizada. Mantenga el cable alejado del calor, aceite, bordes afilados o partes en movimiento:** los cables dañados o enredados aumentan el riesgo de un choque eléctrico.

**El voltaje inicial sin carga, para cada batería completamente cargada, alcanza un máximo de 24 V. El voltaje nominal bajo una carga típica es de 21.6 V.*

4. **Cuando opere una herramienta motorizada en exteriores, utilice un cable de extensión adecuado para su uso en exteriores:** usar un cable adecuado para exteriores reduce el riesgo de un choque eléctrico.
5. **Si es inevitable operar una herramienta motorizada en un entorno mojado, utilice una fuente de alimentación protegida por un DISPOSITIVO DE CORRIENTE RESIDUAL (RCD por sus siglas en inglés):** el uso de un RCD reduce el peligro de un choque eléctrico.


Seguridad personal

1. **Manténgase alerta, preste atención a lo que está haciendo y utilice su sentido común al operar una herramienta motorizada. No use una herramienta motorizada si siente cansancio o se encuentra bajo la influencia del alcohol, drogas o medicamentos:** un momento de distracción durante el uso de herramientas motorizadas podría ocasionar lesiones personales severas.
2. **Utilice equipos de protección personal. Use siempre protección ocular:** los equipos protectores tales como máscaras anti-polvo, zapatos antideslizantes, cascos o protección auditiva, usados bajo condiciones apropiadas, reducirán el riesgo de lesiones personales.
3. **Evite encendidos accidentales. Asegúrese de que el interruptor esté en la posición de apagado antes de conectar la batería al artefacto, levantar el artefacto o transportar el artefacto:** llevar herramientas motorizadas con el dedo sobre el interruptor, o conectarlas a una fuente de alimentación con el interruptor en la posición de encendido puede causar un accidente.
4. **Retire cualquier destornillador o llave hexagonal antes de encender la herramienta motorizada:** una llave inglesa o de otro tipo conectada a una parte giratoria de la herramienta motorizada podría causar lesiones personales.
5. **No se extralimite. Mantenga una posición de pie adecuada y equilibrada en todo momento:** esto permite un mejor control de la herramienta motorizada ante situaciones inesperadas.
6. **Utilice ropa adecuada. No lleve prendas holgadas ni joyas. Mantenga su cabello, ropa y guantes lejos de las partes móviles:** la ropa holgada, las joyas o los cabellos largos se pueden enganchar en las partes móviles.
7. **Si hay dispositivos suministrados para la conexión de instalaciones de recojo y extracción de polvo, asegúrese de que estén correctamente conectados y usados adecuadamente:** el recojo y la extracción de polvo reducen los peligros relacionados al polvo.
8. **No permita que la familiaridad obtenida con el uso frecuente de herramientas le haga complaciente e ignore los principios de seguridad de la herramienta:** una acción imprudente puede causar lesiones severas en una fracción de segundo.

Uso y cuidado de la herramienta motorizada

1. **No fuerce la herramienta motorizada. Use la herramienta motorizada apropiada para lo que necesite:** la herramienta motorizada correcta hará el trabajo mejor y de forma más segura a la intensidad para la cual fue diseñada.
2. **No use la herramienta motorizada si su interruptor no la enciende ni apaga:** cualquier herramienta motorizada que no pueda ser controlada por el interruptor es considerada peligrosa y debe ser reparada.
3. **Antes de realizar en la herramienta motorizada cualquier tarea de ajuste o cambio de accesorios, o antes de guardarla, su batería deberá ser retirada:** dichas medidas de seguridad preventiva reducen el riesgo de encender la herramienta motorizada de forma accidental.
4. **Guarde la herramienta motorizada inactiva lejos del alcance de los niños, y no permita que personas no familiarizadas con esta herramienta motorizada ni con estas instrucciones la operen:** las herramientas motorizadas son peligrosas en manos de usuarios no capacitados.
5. **Cuide su herramienta motorizada. Verifique que no haya partes rotas, desalineamientos o atascamientos de partes móviles, o cualquier otra condición que pueda afectar la operación de la herramienta motorizada. Si la herramienta motorizada está dañada, hágala reparar antes de su uso:** muchos accidentes son causados por herramientas motorizadas mal mantenidas.
6. **Mantenga las herramientas de corte afiladas y limpias:** las herramientas de corte mantenidas adecuadamente, con sus bordes afilados, tienen menos probabilidades de atascarse y son más fáciles de controlar.
7. **Use la herramienta motorizada, sus accesorios, etc. de acuerdo con estas instrucciones y tomando en cuenta las condiciones de trabajo y la labor a ser realizada:** el uso de esta herramienta motorizada en operaciones distintas a las destinadas puede causar una situación peligrosa.
8. **Mantenga la empuñadura y superficies de agarre secas, limpias y sin aceite ni grasa:** la empuñadura y superficies de agarre resbaladizas no permiten una manipulación y control seguros de la herramienta en situaciones inesperadas.

Uso y cuidado de la batería

 **¡ADVERTENCIA!** Lea todas las advertencias de seguridad e instrucciones. No seguir las advertencias e instrucciones puede causar un choque eléctrico, incendio y/o lesiones personales graves.

1. Recargue solo con el cargador especificado por el fabricante. Un cargador adecuado para un tipo de batería puede causar un incendio al ser usado con una batería de otro tipo.

2. Use artefactos a baterías solo con baterías específicamente diseñadas para éstos. El uso de cualquier otra batería puede causar un incendio o lesiones personales.
3. Cuando la batería no esté siendo usada, manténgala alejada de objetos metálicos tales como monedas, sujetapapeles, clavos, tornillos, alfileres u otros objetos metálicos pequeños que puedan causar el contacto de un terminal de la batería con el otro. Cortocircuitar los terminales de una batería puede causar quemaduras o un incendio.
4. Bajo condiciones extremas, las baterías pueden expulsar un líquido. Evite el contacto con este líquido. Si usted accidentalmente hace contacto con este líquido, enjuáguese con agua. Si el líquido hace contacto con los ojos, adicionalmente busque atención médica. El líquido que sale de las baterías puede causar irritación o quemaduras.
5. No use baterías o artefactos que hayan sido dañados o modificados. Las baterías dañadas o modificadas pueden reaccionar impredeciblemente, causando un incendio, explosión o lesiones personales.
6. No exponga una batería o artefacto al fuego o a temperaturas extremas. Una exposición al fuego o a temperaturas por encima de los 104°F (40.5°C) puede causar una explosión.
7. Siga todas las instrucciones de carga, y no cargue la batería o artefacto fuera del rango de temperaturas especificado en las instrucciones. Cargar de forma incorrecta o a temperaturas fuera del rango especificado puede dañar la batería e incrementar el riesgo de incendio.
8. No modifique ni intente reparar el artefacto o la batería (de ser aplicable), a menos que lo haga según lo indicado en las instrucciones de uso y cuidado.

Servicio

1. **Su herramienta motorizada deberá ser reparada por una persona calificada usando únicamente partes de repuesto originales:** esto mantendrá la seguridad de la herramienta motorizada.
2. **Nunca repare baterías dañadas:** la reparación de baterías solo debe ser realizada por el fabricante o proveedores de servicio autorizados.

Instrucciones de seguridad para la motosierra podadora

Advertencias generales de seguridad para la motosierra podadora

- **Mantenga todas las partes de su cuerpo alejadas de la cadena de podado cuando esté funcionando. Antes de encender la motosierra podadora, asegúrese de que la cadena no haga contacto con ningún objeto.** Un momento de distracción durante la operación de la motosierra podadora puede causar que su cuerpo o ropa se enganchen en la motosierra podadora.
- **Sujete la motosierra podadora solamente por superficies de agarre aisladas, debido a que la cadena de corte puede hacer contacto con alambres ocultos.** Las motosierras que hagan contacto con un alambre con corriente eléctrica pueden exponer las partes de la motosierra podadora a la electricidad y provocar un choque eléctrico al operador.
- **Use gafas protectoras y protección auditiva. Se recomiendan equipos de protección adicionales para la cabeza, manos, piernas y pies.** La ropa protectora adecuada reducirá las probabilidades de lesiones personales debido a escombros lanzados o contacto accidental con la motosierra podadora.
- **Mantenga siempre con sus pies una posición y un equilibrio adecuados, y solo opere la motosierra podadora estando de pie en una superficie fija, segura y nivelada.** Las superficies resbaladizas o inestables tales como escaleras pueden causar una pérdida de equilibrio o de control sobre la motosierra.
- **Al cortar una rama que se encuentra bajo tensión, tenga cuidado con la recuperación elástica de la madera.** Cuando se libera la tensión en las fibras de la madera, la reacción de la rama como un resorte puede golpear al operador y/o lanzar la motosierra podadora fuera de control.
- **Tenga extremo cuidado al cortar arbustos y brinzales.** El material angosto puede atrapar la motosierra podadora y ser azotado hacia usted, haciéndole perder el equilibrio.
- **Lleve la motosierra podadora por la empuñadura, apagada y lejos de su cuerpo. Al transportar o guardar la motosierra podadora, siempre coloque la cubierta sobre la barra-guía.** Una manipulación correcta de la motosierra podadora reducirá las probabilidades de un contacto accidental con la cadena en movimiento.
- **Siga las instrucciones para la lubricación de la cadena, tensionamiento de cadena y cambio de accesorios.** Una cadena tensionada incorrectamente o mal lubricada puede romperse o incrementar las probabilidades de contragolpe.
- **Solo corte madera. No use la motosierra podadora para ningún otro propósito. Por ejemplo, no utilice la motosierra podadora para cortar plástico, concreto o materiales de construcción que no sean de madera.** Usar la motosierra podadora en dichas formas incorrectas puede resultar en severas lesiones personales y serios daños a su herramienta.

- **Mantenga el protector en su lugar.** Los dispositivos de seguridad deben ser inspeccionados periódicamente para garantizar que estén apropiadamente colocados y funcionando correctamente.
- **No sujete esta motosierra por su cadena de corte o bordes afilados al levantarla o transportarla.** Asegúrese de cubrir la barra-guía en su funda protectora cuando no esté siendo usada.
- **Esta motosierra no ha sido diseñada para la tala de árboles.** El uso de la motosierra en tareas no adecuadas puede resultar en lesiones severas al operador o transeúntes.

Causas y prevención de contragolpes

El contragolpe puede ocurrir cuando la nariz o la punta de la barra-guía tocan un objeto, o cuando la abertura de corte de la madera se cierra apretando la motosierra durante el corte.

El contacto de la punta en algunos casos puede causar una súbita reacción en reversa, lanzando la barra-guía hacia arriba y hacia atrás, en dirección del operador.

Cuando la cadena de la motosierra es aprisionada a lo largo de la parte superior de la barra-guía, esta última puede ser lanzada rápidamente hacia el operador.

Cualquiera de estas reacciones puede hacer que usted pierda el control de la motosierra y sufra graves lesiones. No se fie exclusivamente de los dispositivos de seguridad incorporados a su motosierra. Como usuario de esta motosierra podadora, usted deberá seguir varios pasos para mantener sus trabajos de corte libres de accidentes o lesiones personales.

El contragolpe es el resultado del mal uso de la herramienta y/o condiciones o procedimientos incorrectos para su operación, y puede ser evitado tomando precauciones apropiadas tales como las siguientes:

- **Mantenga una sujeción firme, con el pulgar y los dedos rodeando la empuñadura de la motosierra, y posicionando su cuerpo y brazo para permitirle resistir fuerzas de contragolpe.** Las fuerzas de contragolpe pueden ser controladas por el operador si se toman precauciones apropiadas. No suelte la motosierra.
- **No se extralimite y no corte por encima de la altura del hombro.** Esto evitará un contacto no intencional con la punta y permite un mejor control de la unidad ante situaciones inesperadas.
- **Utilice solo las barras y cadenas de repuesto especificadas por el fabricante.** Un remplazo incorrecto de la barra-guía y cadena puede causar la ruptura de la cadena y/o contragolpes.
- Nunca use una cadena gastada o suelta. Mantenga la cadena afilada, con una tensión adecuada.
- **Siga las instrucciones del fabricante sobre afilado y mantenimiento de la motosierra.** Reducir la altura del calibre de profundidad puede aumentar el riesgo de contragolpes.

Instrucciones de seguridad adicionales para la motosierra podadora inalámbrica

- La motosierra podadora inalámbrica ha sido diseñada para cortar ramas. Solo use la motosierra podadora inalámbrica según lo indicado en este manual para cortar madera. Esta máquina no ha sido diseñada para un uso continuo y profesional.
- Mantenga la motosierra podadora inalámbrica lejos del alcance de los niños. La motosierra no es un juguete.
- La motosierra podadora inalámbrica no debe ser usada por personas con capacidades físicas, sensoriales o mentales limitadas, a menos que estén por su seguridad supervisadas por una persona calificada o sean instruidas para usarla por la persona responsable.
- Los niños y adolescentes no están permitidos de usar la motosierra podadora inalámbrica. Esta prohibición excluye personas jóvenes mayores de 16 años bajo la supervisión de un experto para propósitos de capacitación.
- Esté atento a los símbolos de seguridad. Estos indican todas las instrucciones importantes por motivos de seguridad. ¡Obedezca estas instrucciones ya que no hacerlo puede resultar en lesiones personales graves!
- La motosierra podadora inalámbrica debe ser usada solo por una persona a la vez. Asegúrese de que los transeúntes no permanezcan en las proximidades del área de trabajo de la motosierra podadora inalámbrica.
- Inspeccione las condiciones de operación de la motosierra podadora inalámbrica, en particular las de la barra-guía y la cadena de corte, antes de cada operación.
- Siempre permanezca de pie de forma segura al trabajar con la motosierra.
- Sujete la máquina de forma firme y segura al encenderla.
- Asegúrese de que la barra-guía y la cadena estén libres al momento de encender la máquina y que no hagan contacto con el material a ser cortado.
- Mantenga sus manos alejadas del área de aserrado. No toque la superficie debajo del área de aserrado. El contacto con la cadena puede resultar en lesiones.
- Guíe la motosierra podadora inalámbrica hacia el material solo cuando esté encendida. De otro modo habrá un riesgo de contragolpe si la cadena se queda atrapada en el material.
- Durante el aserrado, la placa base debe siempre encarar el material siendo aserrado. La cadena puede atascarse y causar una pérdida de control de la máquina.
- Cuando el corte haya sido completado, apague la máquina y jale la cadena fuera del corte únicamente cuando se haya detenido por completo. De este modo usted puede evitar el contragolpe.
- Sujete bien el material a ser cortado. No lo sujete con su mano o pie. No toque objetos, ni el piso, con la motosierra funcionando. Hay un peligro de contragolpe.


- Al serrar madera convertida y ramas delgadas, siempre use un soporte fuerte, tal como un caballete de aserrado. No apile piezas de madera.
- Antes de cortar leños, asegúrelos en su posición.
- Al trabajar en terreno inclinado, asegúrese de trabajar encarando hacia arriba.
- Tenga particular cuidado al cortar madera astillada. ¡La cadena puede desgarrar astillas de madera e incrementar el riesgo de lesiones!
- Objetos extraños como clavos, tornillos, partes de metal, arena, etc. causan un mayor desgaste en la barra-guía y cadena.
- Una cadena de corte desafilada puede causar sobrecalentamiento y daños al motor.
- ¡Siempre retire la batería al inspeccionar la tensión de cadena, al re-ajustar la cadena, al montar la cadena de corte y al eliminar fallas! También retire la batería si no va a usar la máquina por un tiempo.


Instrucciones de seguridad para las baterías y el cargador

Prestamos mucha atención al diseño de cada batería para garantizar la producción de baterías seguras y durables, con una alta densidad de energía. Las celdas de las baterías tienen varios dispositivos de seguridad. Cada celda individual es inicialmente formateada y sus curvas eléctricas características son registradas. Estos datos son luego usados exclusivamente para ensamblar las mejores baterías posibles.

Independientemente de todas las precauciones de seguridad, se debe tener mucho cuidado al manipular las baterías. Las siguientes instrucciones deben ser obedecidas en todo momento para garantizar un uso seguro. Un uso seguro solo puede ser garantizado si se usan celdas libres de daños. Una manipulación incorrecta de las baterías puede causar daños en sus celdas.


¡IMPORTANTE! Los análisis han confirmado que el uso incorrecto y el cuidado deficiente de baterías de alto rendimiento son las causas principales de lesiones personales y/o daños al producto.

 **¡ADVERTENCIA!** Use solo baterías de repuesto aprobadas. Otras baterías pueden dañar la motosierra podadora inalámbrica y provocarle un desperfecto que pueda causar lesiones personales severas.

 **¡ADVERTENCIA!** No use baterías o artefactos que hayan sido dañados o modificados. Las baterías dañadas o modificadas pueden reaccionar impredeciblemente, causando un incendio, explosión o lesiones personales.

No modifique ni intente reparar el artefacto o la batería, a menos que lo haga según lo indicado en las instrucciones de uso y cuidado.

Haga reparar su batería por un técnico calificado empleando solo partes de repuesto idénticas. Esto garantizará que se mantenga intacta la seguridad de las baterías.

 **¡PRECAUCIÓN!** Para reducir el riesgo de lesiones personales, cargue las baterías de iones de litio iON+ de 24 V solo con su cargador de baterías de iones de litio designado, el iON+ de 24 V. Otros tipos de cargadores presentan riesgos de incendio, lesiones personales y daños materiales. No conecte una batería a un tomacorriente doméstico ni encendedor de cigarrillos en su vehículo. Dicho uso indebido dañará o deshabilitará permanentemente la batería.

- **Evite entornos peligrosos:** no cargue la batería bajo la lluvia o nieve, ni en lugares húmedos o mojados. No use la batería ni el cargador en atmósferas explosivas (gases, polvo o materiales inflamables), ya que al insertar o retirar la batería se pueden generar chispas que causen un incendio.
- **Cargue las baterías en un área bien ventilada:** no obstruya los conductos de ventilación del cargador. Manténgalos despejados para permitir una ventilación adecuada. No permita que se fume o haya fuego abierto cerca de una batería siendo cargada. Los gases presentes pueden explotar.

NOTA: el rango seguro de temperaturas para la batería es de 41°F (5°C) a 105°F (40.5°C). No cargue la batería en exteriores a temperaturas congelantes. Cárguela a temperatura ambiente en interiores.

- **Cuide el cable de alimentación del cargador:** al desenchufar el cargador tire del enchufe, no del cable de alimentación, para desconectarlo del tomacorriente y así evitar daños al enchufe y cable. Nunca transporte el cargador colgado de su cable, ni tire del cable para desconectarlo del tomacorriente. Mantenga el cable alejado del calor, grasas y bordes afilados. Asegúrese de que el cable no sea pisado, que la gente no se tropiece con éste, ni que esté sujeto a daños o tensiones mientras el cargador esté siendo usado. No use el cargador con un cable o enchufe dañado. Reemplace un cargador dañado inmediatamente.
- **No use un cable de extensión a menos que sea absolutamente necesario:** usar un cable de extensión incorrecto, dañado o conectado de forma inapropiada puede causar un incendio o choque eléctrico. Si se debe usar un cable de extensión, conecte el cargador a un cable de extensión de calibre 16 (o más grueso) de alambreado adecuado, con el enchufe macho del cargador encajando perfectamente en el enchufe hembra del cable de extensión. Verifique que el cable de extensión esté en buenas condiciones.
- **El cargador (XZ2600-0450) está clasificado solo para voltajes de 100 V a 240 V CA:** el cargador debe estar enchufado a un tomacorriente apropiado.
- **Use solo accesorios recomendados:** el uso de un accesorio no recomendado ni vendido por el fabricante de la batería o cargador puede causar un choque eléctrico, incendio o lesiones personales.
- **Desenchufe el cargador cuando no esté siendo usado:** asegúrese de retirar la batería del cargador desenchufado.

⚠ ¡ADVERTENCIA! Para reducir el riesgo de un choque eléctrico, desenchufe siempre el cargador antes de llevar a cabo cualquier tarea de limpieza o mantenimiento. No permita que entre agua dentro del cargador. Use un interruptor de circuito por falla a tierra (GFCI) para reducir el riesgo de un choque eléctrico.

- **No quemar ni incinerar baterías:** las baterías pueden explotar, causando lesiones personales o daños. Cuando las baterías son quemadas se generan sustancias y humos tóxicos.
- **No triturar, dejar caer ni dañar la batería:** no use la batería ni el cargador si han sido severamente golpeados, se han dejado caer, se han aplastado o se han dañado de cualquier forma como por ejemplo perforados con un clavo, golpeados con un martillo, pisados, etc.
- **No desarme las baterías ni el cargador:** el reensamblado incorrecto puede presentar un riesgo severo de choque eléctrico, fuego o exposición a químicos tóxicos de la batería. Si la batería o el cargador están dañados, contacte a un concesionario autorizado Snow Joe® + Sun Joe®, o comuníquese con la central de servicio al cliente Snow Joe® + Sun Joe® llamando al 1-866-SNOWJOE (1-866-766-9563) para obtener ayuda.
- **Los químicos de la batería causan quemaduras severas:** nunca deje que una batería dañada haga contacto con la piel, ojos o boca. Si una batería dañada deja escapar químicos, use guantes de hule o neopreno para deshacerse de ella de forma segura. Si la piel es expuesta a los químicos de la batería, lave el área afectada con jabón y agua, y enjuague con vinagre. Si los ojos son expuestos a los químicos, inmediatamente enjuáguelos con agua durante 20 minutos y busque atención médica. Quitese y deshágase de las vestimentas contaminadas.
- **No provoque un cortocircuito:** una batería puede hacer cortocircuito si un objeto metálico hace conexión entre los contactos positivo y negativo de la batería. No coloque una batería cerca de objetos que puedan causar un cortocircuito tales como monedas, sujetapapeles, tornillos, clavos, llaves u otros objetos metálicos. Una batería cortocircuitada representa un riesgo de incendio y lesiones personales graves.
- **Guarde su batería y cargador en un lugar fresco y seco:** no guarde la batería o cargador donde las temperaturas puedan exceder los 105°F (40.5°C), como bajo la luz directa del sol o dentro de un vehículo o construcción metálica durante el verano.

Información sobre la batería

1. La batería suministrada con su motosierra podadora inalámbrica está cargada solo parcialmente. La batería tiene que ser cargada por completo antes de que usted use la herramienta por primera vez.
2. Para un óptimo rendimiento de la batería, evite ciclos de descarga baja cargándola frecuentemente.
3. Guarde la batería en un lugar fresco, de preferencia a 77°F (25°C) y cargada al menos a un 40%.
4. Las baterías de iones de litio están sujetas a un proceso natural de desgaste. Una batería debe ser reemplazada a más tardar cuando su capacidad caiga a un 80% de su capacidad inicial, cuando estaba nueva. Las celdas debilitadas en una batería gastada no son capaces de cumplir con los requisitos de alta potencia necesarios para la operación adecuada de su motosierra podadora inalámbrica, y por tanto representan un riesgo de seguridad.
5. No arroje la batería al fuego abierto ya que puede explotar.
6. No quemar la batería ni la esponja al fuego.
7. No descargue la batería exhaustivamente. Una descarga exhaustiva dañará las celdas de la batería. La causa más común de descarga exhaustiva es el almacenamiento prolongado o la falta de uso de baterías parcialmente descargadas. Deje de trabajar tan pronto como el rendimiento de la batería caiga considerablemente o se active el sistema de protección electrónico. Almacene la batería únicamente luego de haberla cargado por completo.
8. Proteja la batería y la motosierra podadora contra sobrecargas. Las sobrecargas causarán rápidamente un sobrecalentamiento y daños a las celdas dentro de la batería, incluso si este sobrecalentamiento no es aparente por fuera.
9. Evite daños y golpes. Reemplace inmediatamente una batería que se haya caído desde una altura de más de un metro o que haya sido expuesta a golpes violentos, incluso si el exterior de la batería aparenta no tener daños. Las celdas dentro de la batería pueden haber sufrido daños severos. En dichos casos, lea la información de eliminación para deshacerse apropiadamente de la batería.
10. Si la batería sufre una sobrecarga y sobrecalentamiento, el sistema interruptor de corte de protección integrado apagará el equipo por motivos de seguridad.
¡IMPORTANTE! No presione más el gatillo interruptor si el sistema interruptor de corte de protección se ha activado. Esto puede dañar las baterías.
11. Use únicamente baterías originales. El uso de otras baterías puede causar lesiones personales o una explosión.

Información sobre el cargador y el proceso de carga











1. Verifique la información indicada en la placa de especificaciones del cargador de baterías. Asegúrese de conectar el cargador de baterías a una fuente de alimentación que tenga el voltaje indicado en su placa de especificaciones. Nunca lo conecte a una fuente de alimentación con un voltaje distinto al indicado.
2. Proteja el cargador de baterías y su cable contra daños. Mantenga el cargador y su cable alejados del calor, grasa, aceite y bordes afilados. Haga reparar sin demora los cables dañados por un técnico calificado en un concesionario autorizado Snow Joe® + Sun Joe® o comuníquese con la central de servicio al cliente Snow Joe® + Sun Joe® llamando al 1-866-SNOWJOE (1-866-766-9563).
3. Los enchufes eléctricos deben encajar en los tomacorrientes. Nunca modifique el enchufe de ninguna manera. No use ningún adaptador de enchufe con artefactos que tengan conexión a tierra. El uso de enchufes no modificados y tomacorrientes equivalentes reducirá el riesgo de un choque eléctrico.
4. Mantenga el cargador de baterías, la batería y la herramienta inalámbrica lejos del alcance de los niños.
5. No use el cargador de baterías suministrado para cargar baterías de otras herramientas inalámbricas.
6. Durante periodos de trabajo pesado, la batería se calentará. Deje que la batería se enfríe a temperatura ambiente antes de conectarla al cargador para su recarga.
7. No sobrecargue la batería. No exceda los tiempos máximos de carga. Estos tiempos de carga solo se aplican a una batería descargada. La inserción frecuente de una batería cargada o parcialmente cargada resultará en una sobrecarga y daños a las celdas. No deje la batería en el cargador por días enteros.
8. Nunca use o cargue la batería si sospecha que han pasado más de doce (12) meses desde la última vez que fue cargada. Existe una alta probabilidad de que la batería ya haya sufrido un daño severo (descarga exhaustiva).
9. Cargar la batería a una temperatura menor de 41°F (5°C) causará daños químicos a las celdas y puede provocar un incendio.
10. No use una batería que haya sido expuesta al calor durante el proceso de carga, ya que sus celdas pueden haber sufrido daños severos.
11. No use baterías que se hayan curvado o deformado durante el proceso de carga, ni aquellas que muestren otros síntomas atípicos tales como liberación de gases, zumbidos, grietas, etc.
12. Nunca descargue por completo la batería (se recomienda una profundidad de descarga de un 80%). Una descarga completa de la batería causará un envejecimiento prematuro de las celdas de la batería.

Protección contra influencias del entorno

1. Use ropa de trabajo adecuada. Use gafas protectoras.
2. Proteja su herramienta inalámbrica y el cargador de baterías contra la humedad y la lluvia. La humedad y la lluvia pueden causar graves daños a las celdas.
3. No use la herramienta inalámbrica ni el cargador de baterías cerca de vapores o líquidos inflamables.
4. Use el cargador de baterías y la herramienta inalámbrica solo en entornos secos y a una temperatura ambiente de entre 41°F (5°C) y 105°F (40.5°C).
5. No coloque el cargador de baterías en lugares donde la temperatura pueda sobrepasar los 105°F (40.5°C). En particular, no deje el cargador de baterías en un auto estacionado bajo la luz directa del sol.
6. Proteja la batería contra el sobrecalentamiento. Las sobrecargas, exceso de carga y exposición a la luz directa del sol darán como resultado un sobrecalentamiento y daños a las celdas. Nunca cargue ni trabaje con una batería que haya estado sobrecalentada. De ser posible, reemplácela inmediatamente.
7. Guarde el cargador de baterías y su herramienta inalámbrica solo en entornos secos y a una temperatura ambiente de entre 41°F (5°C) y 105°F (40.5°C). Guarde su batería de iones de litio en un lugar fresco y seco, a una temperatura ambiente de 77°F (25°C). Proteja la batería, el cargador y la herramienta inalámbrica contra la humedad y la luz directa del sol. Solo almacene la batería cargada por completo (cargada al menos a un 40%).
8. Evite que la batería de iones de litio se congele. Las baterías almacenadas a una temperatura menor de 32°F (0°C) por más de 60 minutos deberán ser desechadas.
9. Al manipular una batería, tenga cuidado con las descargas electrostáticas. Las descargas electrostáticas pueden dañar el sistema electrónico de protección y las celdas de la batería. Evite las descargas electrostáticas y nunca toque los polos de la batería.

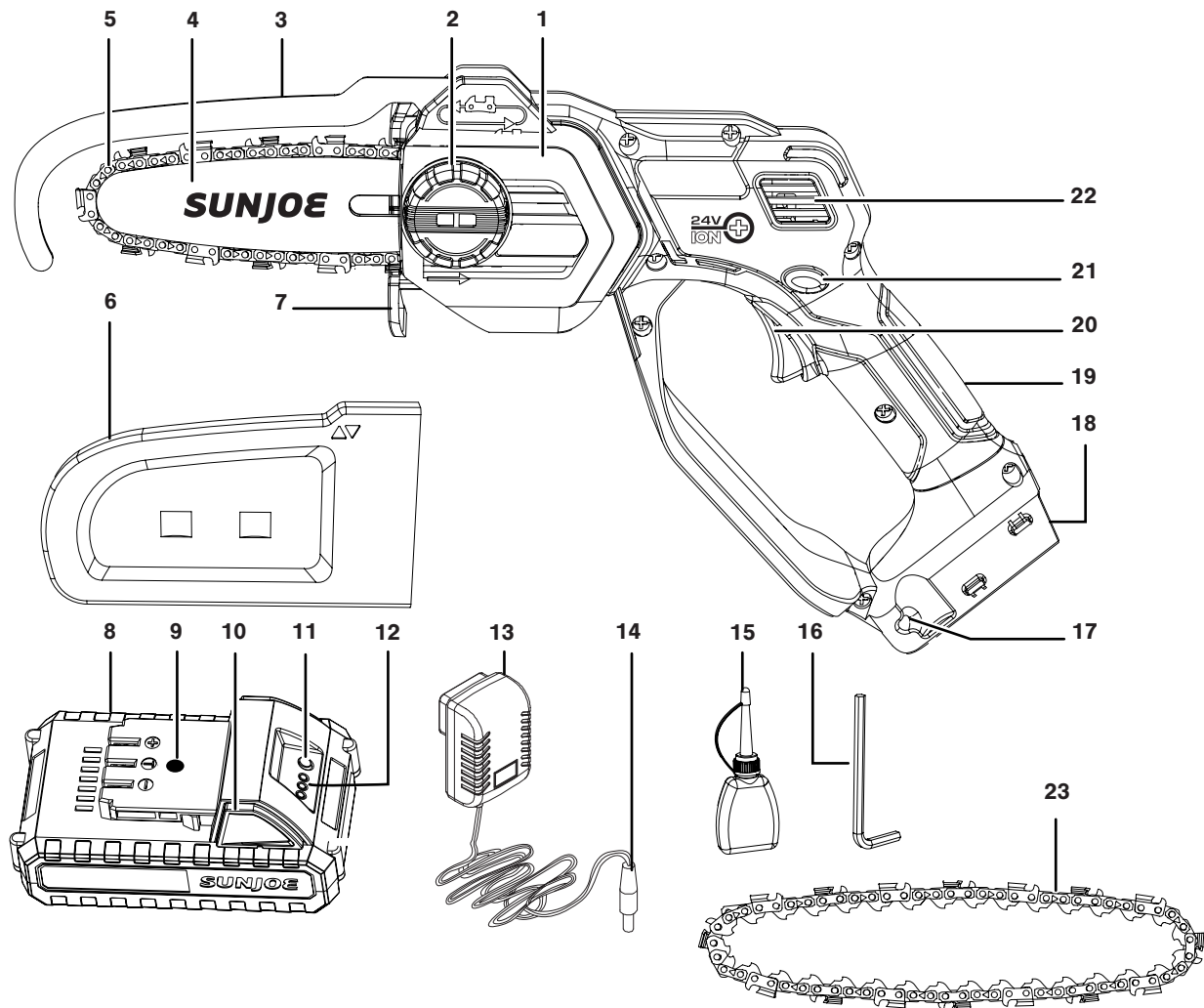
Símbolos de seguridad

La siguiente tabla muestra y describe los símbolos de seguridad que pueden aparecer en este producto. Lea, comprenda y siga todas las instrucciones relacionadas con esta máquina antes de intentar ensamblarla y operarla.

Símbolo	Descripción	Símbolo	Descripción
	LEA EL(LOS) MANUAL(ES) DEL OPERADOR: lea, comprenda y siga todas las instrucciones en el(los) manual(es) antes de intentar ensamblar y operar la unidad.		ALERTA DE SEGURIDAD: indica una precaución, advertencia o peligro.
	USE PROTECCIÓN OCULAR, AUDITIVA Y PARA LA CABEZA: para evitar lesiones personales, use protección auditiva, gafas protectoras y protección para su cabeza.		¡PRECAUCIÓN! Evite el contacto de la punta de la barra-guía con cualquier objeto. El contacto con la punta puede causar que la barra-guía se mueva repentinamente hacia arriba y hacia atrás, lo cual puede causar lesiones personales severas al usuario.
	¡ADVERTENCIA! No exponga la unidad a la lluvia ni a entornos mojados.		Dirección correcta de las cuchillas.
	Use guantes de seguridad durante la operación para proteger sus manos.		Use todo el tiempo calzado protector para evitar que sus pies sean golpeados por objetos que puedan caerles accidentalmente.
	La parte móvil seguirá moviéndose durante varios segundos después de que usted haya apagado la máquina.		Solo para uso en interiores. Utilice el cargador de baterías solamente en interiores.

Conozca su motosierra podadora inalámbrica

Lea detenidamente el manual del operador y las instrucciones de seguridad antes de operar la motosierra podadora inalámbrica. Compare la ilustración debajo con la motosierra podadora inalámbrica para familiarizarse con las ubicaciones de sus diversos controles y ajustes. Conserve este manual para futuras referencias.



- | | | |
|---|---|-----------------------------------|
| 1. Cubierta de extremo de cadena/piñón | 9. Receptáculo de carga | 17. Ranura de llave hexagonal |
| 2. Perilla de cubierta de extremo | 10. Botón de trabado (x2) | 18. Compartimiento de batería |
| 3. Cuña de separación | 11. Botón para indicador de batería | 19. Empuñadura |
| 4. Barra-guía de 5 plg (12.7 cm) | 12. Indicador de batería | 20. Gatillo interruptor |
| 5. Cadena de corte de 5 plg (12.7 cm) | 13. Cargador de baterías de iones de litio iON+ de 24 V (XZ2600-0450) | 21. Botón de trabado de seguridad |
| 6. Funda para barra-guía y cadena | 14. Conector de cargador | 22. Ranuras de ventilación |
| 7. Placa base | 15. Aceite lubricante | 23. Cadena de corte adicional |
| 8. Batería de iones de litio iON+ de 24 V (24VBAT-LT) con exclusiva tecnología EcoSharp®. | 16. Llave hexagonal | |

Datos técnicos

Motor	230 W
Voltaje máximo de batería*	24 V CC
Capacidad de la batería	2.5 Ah
Entrada del cargador	De 100 V a 240 V CA; de 50 Hz a 60 Hz, 0.4 A
Salida del cargador	26 V CC $\overline{\text{---}}$ 450 mA
Tiempo máximo de carga de batería	5 hrs 30 min
Longitud de barra-guía/cadena	5 plg (12.7 cm)
Grosor de corte máximo	4.5 plg (11.4 cm)
Capacidad de tanque de aceite	0.7 fl oz (20 ml)
Peso neto	4.2 lb (1.9 kg)

*El voltaje inicial sin carga, cuando la batería está cargada por completo, alcanza un máximo de 24 V. El voltaje nominal bajo una carga típica es de 21.6 V.

Desembalaje

Contenido del paquete:

- Motosierra podadora inalámbrica con cadena y barra-guía pre-instaladas
- Funda de barra-guía (instalada sobre la cadena y barra-guía)
- Cadena de corte adicional
- Llave hexagonal (en la ranura de almacenamiento)
- Aceite lubricante (20 ml)
- Batería de iones de litio iON+ de 24 V
- Cargador de baterías de iones de litio iON+ de 24 V
- Manual y tarjeta de registro

1. Retire cuidadosamente la motosierra podadora inalámbrica y compruebe que todos los artículos anteriores estén suministrados.
2. Inspeccione cuidadosamente el producto para asegurarse de que no haya ocurrido ningún daño o ruptura durante el transporte. Si alguna parte está dañada o extraviada, NO DEVUELVA el producto a la tienda. Comuníquese con la central de servicio al cliente Snow Joe® + Sun Joe® llamando al 1-866-SNOWJOE (1-866-766-9563).

NOTA: no se deshaga de la caja de transporte ni de los materiales de embalaje hasta que usted esté listo para usar su motosierra podadora inalámbrica. El empaquetado está hecho de materiales reciclables. Deseche estos materiales de acuerdo con los reglamentos de su localidad.

¡IMPORTANTE! El equipo y los materiales de embalaje no son juguetes. No permita que los niños jueguen con bolsas plásticas, láminas o partes pequeñas. ¡Estos objetos pueden ser tragados y causar asfixia!

Operación de la batería

La unidad es alimentada por una batería de iones de litio. La batería está completamente sellada y no requiere de mantenimiento.

Indicadores de nivel de carga de batería

La batería tiene un botón para comprobar su nivel de carga. Simplemente presione el botón para leer el nivel de carga de la batería en los LED indicadores de la batería:

- Los tres LED indicadores de nivel están encendidos: el nivel de carga de la batería es elevado.
- Dos LED indicadores de nivel están encendidos: el nivel de carga de la batería está disminuyendo. Deje de trabajar tan pronto como sea posible.
- Un LED indicador de nivel está encendido: la batería está agotada. Deje de trabajar INMEDIATAMENTE y cargue la batería, de otro modo, la vida útil de la batería se reducirá en gran medida.

Luz	Significado
	Botón indicador de nivel de carga.
	La batería está cargada a un 30% y requiere ser cargada de inmediato.
	La batería está cargada a un 60% y requiere ser cargada pronto.
	La batería está cargada por completo.

NOTA: si el botón indicador de nivel de carga no parece funcionar, conecte al cargador y cargue según se requiera.

NOTA: inmediatamente luego del uso de la batería, el Botón indicador de nivel de carga puede mostrar una carga más baja que la que se mostrará algunos minutos después. Las celdas de las baterías "recuperan" parte de su carga luego de permanecer inactivas.

Operación del cargador

⚠ ¡ADVERTENCIA! Cargue la batería de iones de litio iON+ de 24 V solo con su cargador de baterías de iones de litio compatible iON+ de 24 V. Otros tipos de baterías pueden causar lesiones personales y daños materiales.

Para reducir el riesgo de un choque eléctrico, no permita que entre agua a la conexión CA/CC del cargador.

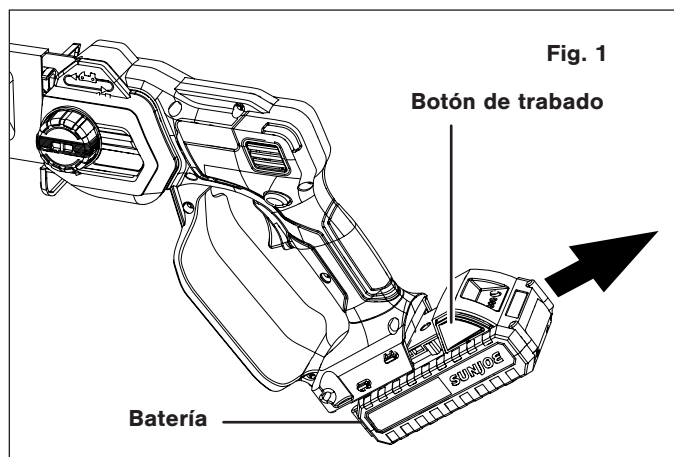
Cuándo cargar la batería de iones de litio iON+ 24VBAT-LT

NOTA: la batería de iones de litio iON+ 24VBAT-LT no crea una “memoria” al ser cargada luego de una descarga parcial. Por tanto, no hay necesidad de agotar la batería antes de insertar el conector del cargador.

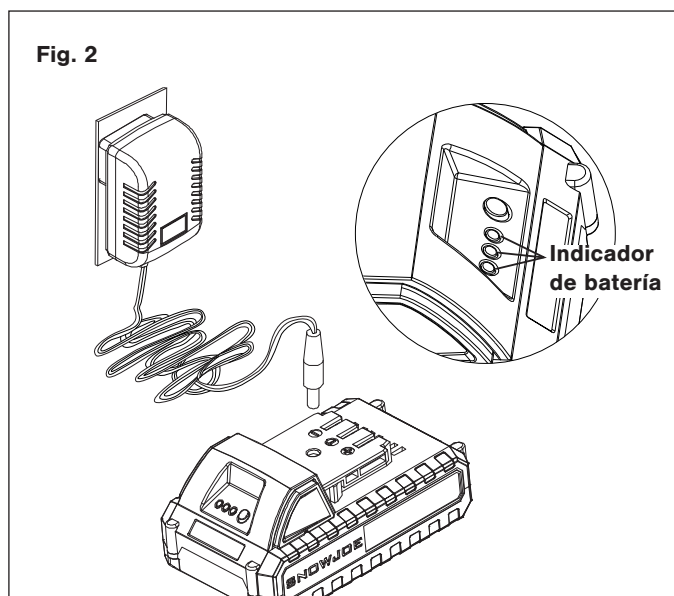
- Use las luces indicadoras de carga de batería para determinar cuándo cargar su batería de iones de litio iON+ 24VBAT-LT.
- Usted puede cargar por completo su batería antes de empezar un trabajo grande o luego de un uso prolongado.

Carga de la batería

1. Presione los botones de trabado en la batería para poder extraerla fuera del equipo (Fig. 1).



2. Compruebe que el voltaje de la red eléctrica sea el mismo que el indicado en la placa de especificaciones del cargador de baterías. Luego, enchufe el adaptador del cargador en un tomacorriente CA apropiado. Conecte el conector del cargador en el receptáculo de carga de la batería para empezar a cargarla (Fig. 2).



3. La batería tomará aproximadamente cinco horas en cargarse. Las luces LED indicadoras de la batería parpadearán y se iluminarán una a una durante el proceso de carga. Desconecte el cargador inmediatamente cuando las tres luces LED estén encendidas.

⚠ ¡PRECAUCIÓN! PELIGRO DE INCENDIO. Al desconectar el cargador de baterías, asegúrese de desenchufar primero el cargador del tomacorriente, y luego desconectar el cargador de baterías.

⚠ ¡ADVERTENCIA! Este cargador no se apaga de forma automática cuando la batería está completamente cargada. Tenga cuidado de no dejar la batería conectada al cargador. Apague o desenchufe el cargador del tomacorriente cuando la carga haya sido completada.

4. Una recarga oportuna de la batería ayudará a prolongar su vida útil. Usted debe recargar la batería cuando note una caída en la potencia del equipo.

¡IMPORTANTE! Nunca permita que la batería se descargue por completo ya que esto le causará un daño irreversible.

Preparación para el trabajo Inspección de la máquina

⚠ ¡ADVERTENCIA! Antes de realizar cualquier inspección, ajuste, reparación o mantenimiento en la máquina, asegúrese de que la batería no esté insertada en su compartimiento.

Antes de empezar a trabajar:

- Compruebe que todos los tornillos en la motosierra, así como su barra-guía, estén ajustados firmemente.
- Compruebe que la cadena esté correctamente tensionada y afilada y que no haya señales de daños;
- Compruebe que la empuñadura y los dispositivos de protección estén limpios y secos, montados correctamente, y ajustados de forma segura a la máquina.
- Compruebe que el gatillo interruptor y el botón de trabado de seguridad se muevan libremente sin necesidad de forcejeo y que regresen de forma rápida y automática a sus posiciones neutrales;
- Compruebe que el gatillo interruptor se mantenga trabado hasta que el botón de trabado de seguridad sea presionado;
- Asegúrese de que las ranuras de ventilación no estén obstruidas con aserrín o residuos;

Periodo de asentamiento para cadenas nuevas

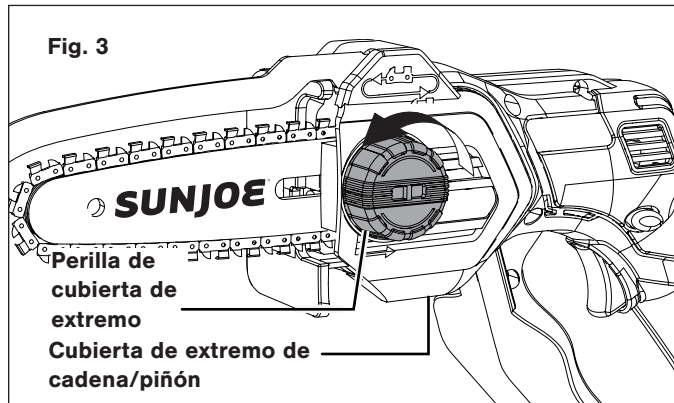
Para una operación segura, se recomienda seguir los siguientes consejos de periodo de asentamiento cada vez que una nueva cadena sea instalada.

1. Retire la batería y ajuste la tensión de cadena.
2. Inserte la batería y encienda la motosierra podadora inalámbrica, dejándola funcionar al vacío por aproximadamente cinco minutos.
3. Retire la batería y compruebe la tensión de la cadena nuevamente. De ser necesario, vuelva a ajustar la cadena.
4. Luego, solo haga cortes fáciles por aproximadamente 30 minutos. ¡Asegúrese de que la cadena esté siempre lubricada lo suficiente! Solo use la motosierra podadora inalámbrica para cortes más grandes y de mayor profundidad luego del periodo de asentamiento.

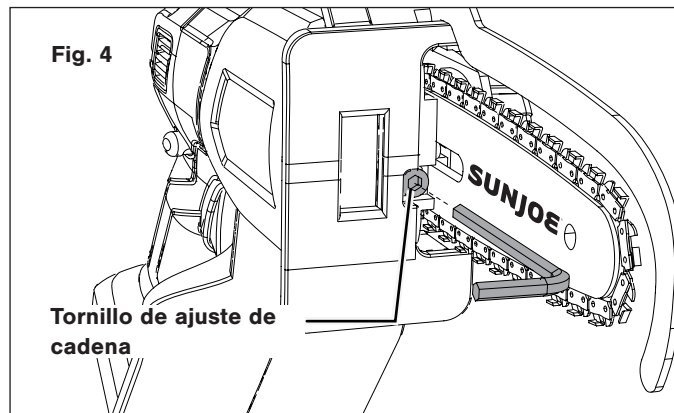
Ajuste de tensión de cadena

⚠ ¡ADVERTENCIA! Use guantes protectores al manipular la barra-guía y la cadena.

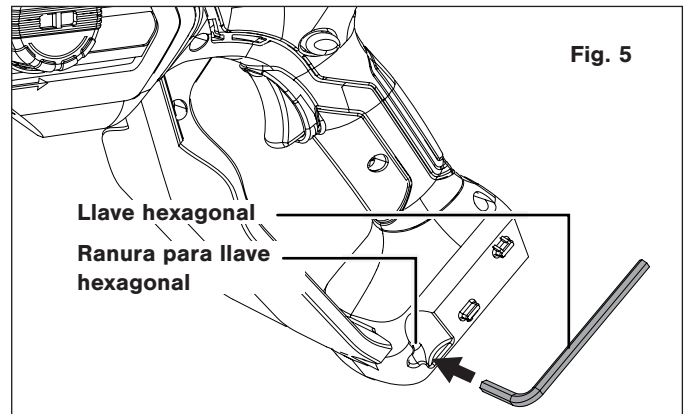
1. Asegúrese de que la motosierra podadora inalámbrica esté apagada y que su batería haya sido retirada. Afloje un poco la cubierta de extremo de cadena/ piñón girando la perilla de cubierta de extremo en sentido antihorario (Fig. 3).



2. Use la llave hexagonal incluida para girar el tornillo de ajuste de cadena en sentido horario para apretar, y en sentido antihorario para aflojar. Una cadena en frío estará tensionada correctamente cuando no haya una holgura en el lado inferior de la barra-guía, y la cadena esté ajustada pero pueda ser girada a mano sin esfuerzo (Fig. 4).



NOTA: cuando no esté en uso, la llave hexagonal puede ser almacenada en la ranura para llave hexagonal ubicada en la parte inferior de la motosierra podadora inalámbrica (Fig. 5).



3. Vuelva a apretar perilla de cubierta de extremo. Usando un destornillador, haga avanzar la cadena a lo largo de la barra-guía para comprobar que se mueva con facilidad.

Lubricante de cadena

¡IMPORTANTE! Solo use un aceite de barra-guía y cadena de buena calidad, formulado específicamente para motosierras, con el fin de garantizar una lubricación óptima de las partes de corte. No use aceite que contenga impurezas.

¡IMPORTANTE! El aceite lubricante de la cadena es biodegradable. El uso de aceite mineral o de motor puede perjudicar severamente al medioambiente. Es importante que usted use un aceite de buena calidad para lubricar efectivamente las partes de corte. El aceite usado o de mala calidad no garantiza una buena lubricación y reduce el ciclo de vida útil de la barra-guía y la cadena.

Antes de lubricar la motosierra podadora inalámbrica, limpie la barra-guía y cadena con un cepillo suave. Luego aplique el aceite entre la cadena y la barra-guía. Inserte la batería y encienda la motosierra podadora inalámbrica. El aceite se distribuirá de forma pareja sobre la cadena. Para un óptimo resultado de corte, lubrique la motosierra cada 30 minutos durante la operación. Al guardar la unidad por un periodo prolongado (como de tres meses o más), asegúrese de que la cadena esté ligeramente lubricada para evitar óxido en esta y en el piñón de barra-guía (Fig. 6).

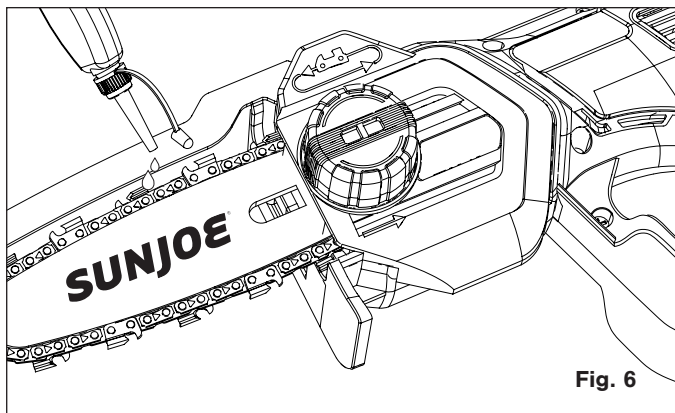


Fig. 6

Operación

Puesta en marcha y parada

⚠ ¡PRECAUCIÓN! El inicio, parada y reinicio de un motor eléctrico de forma repetida en intervalos de pocos segundos puede generar una gran cantidad de calor y dañar el motor. Para proteger el ciclo de vida útil de su motosierra podadora inalámbrica, espere al menos cinco segundos, luego de detenerla, para volverla a encender.

⚠ ¡ADVERTENCIA! Asegúrese de que la cadena no esté en contacto con ningún objeto cuando usted arranque el motor.

⚠ ¡ADVERTENCIA! Mantenga las manos alejadas de la cadena. Mantenga su mano sujetando la empuñadura. No se extralimite.

Una sujeción buena y firme de la herramienta le ayudará a mantenerla controlada. Mantenga una sujeción firme colocando su mano en la empuñadura, con el pulgar y los dedos rodeándola. Una sujeción firme, combinada con el posicionamiento apropiado de la motosierra podadora inalámbrica, le ayudará a mantener el control de esta. No suelte la motosierra mientras esté funcionando.

⚠ ¡ADVERTENCIA! No opere la motosierra podadora inalámbrica trepado en un árbol, sobre una escalera o en un andamio. Usar la herramienta en dichas circunstancias es extremadamente peligroso.

⚠ ¡PRECAUCIÓN! La cadena continuará girando por varios segundos luego de haber apagado la herramienta.

No use la motosierra podadora inalámbrica en entornos mojados. Tenga extremo cuidado al cortar arbustos pequeños, brinzales o ramas bajo tensión ya que el material tenso y angosto puede ser atrapado por la motosierra y, al recuperarse elásticamente, ser azotado contra usted, haciéndole perder el equilibrio.

No use la motosierra para cortar plantas trepadoras y/o maleza.

⚠ ¡ADVERTENCIA! No permita que la familiaridad con este tipo de herramientas le impida tomar todas las precauciones necesarias. Recuerde que una fracción de segundo de descuido es suficiente para que ocurran graves lesiones personales.

⚠ ¡ADVERTENCIA! No corte ramas cerca de cables eléctricos.

⚠ ¡ADVERTENCIA! No lubricar la cadena causará daños a la barra-guía y a la cadena. Use solo aceite para barra-guía y cadena de buena calidad y formulado específicamente para motosierras.

1. Antes de cada sesión de corte, revise minuciosamente la lista de inspección diaria (ver página 43).
2. Inserte la batería en su compartimiento. Empújela para asegurarse de que esté trabada en su lugar (Fig. 7).

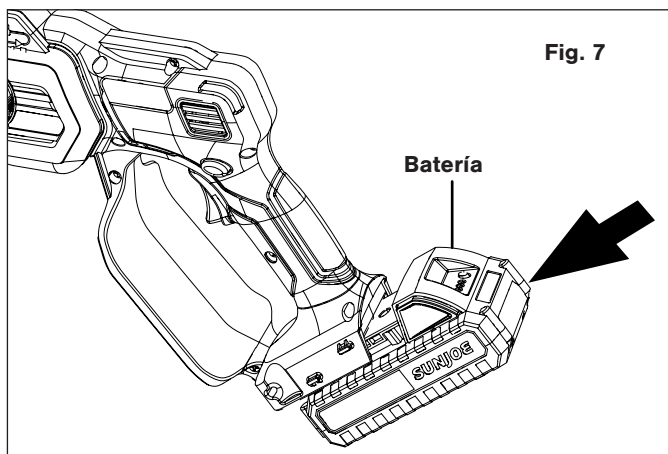


Fig. 7

3. Para arrancar la motosierra podadora inalámbrica, sujétela firmemente desde la empuñadura. Presione el botón de trabado de seguridad y, sin soltarlo, apriete el gatillo interruptor. Una vez que la motosierra podadora inalámbrica esté funcionando, usted puede soltar el botón de trabado de seguridad (Fig. 8).

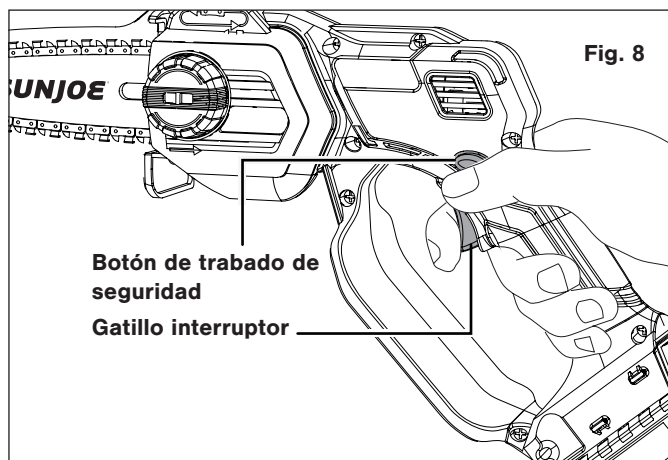



Fig. 8

4. Para apagar la herramienta, simplemente suelte el gatillo interruptor.

NOTA: no apriete el gatillo interruptor hasta que usted esté listo para hacer un corte.

Consejos de operación

 **¡ADVERTENCIA!** Para su seguridad y la de los demás:

1. No use la motosierra podadora sin antes leer las instrucciones cuidadosamente. Familiarícese con los controles y el uso apropiado de la motosierra. Aprenda a detener rápidamente la motosierra.
2. Tenga en cuenta que el operador o usuario es responsable por accidentes o peligros que le ocurran a otras personas o sus propiedades.
3. Use siempre vestimenta adecuada al usar la máquina. Use guantes anti-vibración y otros equipos de protección personal.

Sin embargo, todas las precauciones mencionadas anteriormente no garantizan la prevención de ciertos riesgos, tales como el fenómeno de Raynaud o el síndrome del túnel carpiano. A los operadores que usen esta máquina por periodos prolongados se les recomienda revisiones médicas periódicas de sus manos y dedos. Si alguno de los síntomas anteriormente mencionados aparece, contacte inmediatamente a un médico.
4. Trabaje solo bajo luz diurna o buena luz artificial.
5. Tenga el mayor cuidado al trabajar cerca de vallas de metal.
6. Tenga cuidado de no golpear la barra-guía duramente contra objetos extraños o escombros volando causados por el movimiento de la cadena.
7. Nunca toque la cuña de separación o debajo de la placa base. ¡Hay un riesgo de lesiones personales!
8. No encienda la motosierra si la cadena está haciendo contacto con cualquier objeto, está dentro del material, o pueda golpear un objeto. Esto puede causar graves lesiones.
9. Fije materiales sueltos antes de cortarlos. Retire objetos extraños como clavos, tornillos, etc.
10. Al cortar una rama que se encuentra bajo tensión, esté alerta ante la recuperación elástica de la madera. Cuando se libera la tensión en las fibras de la madera, la reacción de la rama como un resorte puede golpear al operador y/o lanzar la motosierra fuera de control.
11. Tenga extremo cuidado al cortar arbustos y brinzales. El material angosto puede atrapar la motosierra y ser azotado hacia usted, haciéndole perder el equilibrio.
12. Cuando la motosierra esté funcionando, coloque la placa base en la superficie del material y deje que la motosierra corte por su cuenta. Solo aplique una ligera presión sobre la motosierra.


NOTA: la placa base ayuda a estabilizar la motosierra y emparejar el material siendo cortado. Puede también reducir significativamente la vibración de la motosierra. La placa base también hace de punto de apoyo para cortes profundos debido a que levanta el extremo posterior de la motosierra. Usar la placa base como punto de pivote le permite entrar de forma profunda en el material con un control preciso.

13. Detenga el motor y retire la batería del compartimiento:
 - Cuando deje la máquina sin atender;
 - Antes de limpiar, revisar o reparar la máquina;
 - Luego de golpear un objeto extraño: inspeccione la máquina en busca de cualquier daño y repárela antes de volver a usarla;
 - Cuando la máquina empiece a vibrar de forma anormal: inmediatamente busque la causa de las vibraciones y haga inspeccionar la máquina en un concesionario autorizado Snow Joe® + Sun Joe®, o comuníquese con la central de servicio al cliente Snow Joe® + Sun Joe® llamando al 1-866-SNOWJOE (1-866-766-9563) para obtener ayuda; o
 - Cuando la máquina no esté siendo usada.

¡IMPORTANTE! Recuerde siempre que una motosierra podadora inalámbrica usada incorrectamente puede perturbar a los demás y afectar severamente al medioambiente.

Para respetar a las personas y al medioambiente:

- Evite usar la máquina en entornos o momentos del día en que se pueda perturbar a los demás.
- Obedezca a conciencia las reglas y disposiciones locales respecto a la eliminación de materiales de desecho luego del aserrado.
- Obedezca a conciencia las reglas y disposiciones locales respecto a la eliminación del aceite, partes dañadas u otros elementos que puedan afectar severamente el medioambiente.
- Una cierta cantidad de aceite lubricante de cadena es liberada al medioambiente cuando la máquina está funcionando, por tanto solo use aceites biodegradables fabricados específicamente para máquinas de este tipo.
- Para evitar el riesgo de incendio, no deje la máquina con el motor caliente sobre hojas o césped seco.

 **¡ADVERTENCIA!** Se requiere de una capacitación especial para usar esta herramienta.

Inspecciones durante el trabajo

- **Verificación de la tensión de la cadena**

La cadena tiende a extenderse gradualmente mientras trabaja, así que usted debe verificar su tensión frecuentemente.

¡IMPORTANTE! Durante el primer periodo de uso (o luego de reemplazar la cadena), la tensión de cadena debe ser verificada con mayor frecuencia debido al proceso de estabilización de la cadena.

⚠ ¡ADVERTENCIA! Nunca trabaje con la cadena suelta, ya que esta puede ser peligrosa si se suelta de su barra-guía.

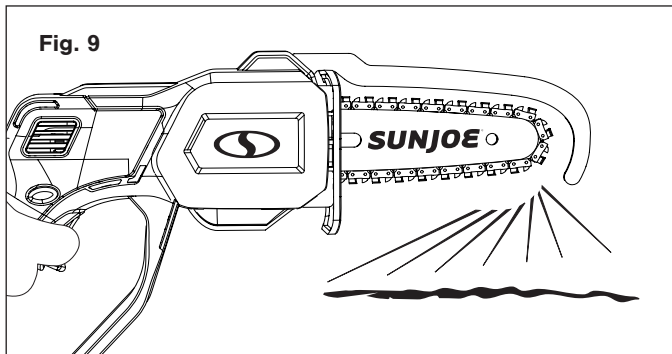
Para ajustar la tensión de cadena, siga las instrucciones en "ajuste de tensión de cadena" en la página 36.

- **Verificación de la entrega de aceite**

¡IMPORTANTE! ¡Nunca use la máquina sin lubricación! Asegúrese de lubricar el área de corte antes y después del uso, y cada 30 minutos durante la operación. Para mejores resultados, use solo aceite para barra-guía y cadena de buena calidad y formulado específicamente para motosierras. Compruebe la entrega de aceite tal como se describe debajo, después de cada lubricación de cadena.

⚠ ¡ADVERTENCIA! Asegúrese de que la barra-guía y la cadena estén en su lugar cuando verifique la entrega de aceite.

Encienda el motor y compruebe que el aceite de cadena sea entregado tal como se muestra a continuación (Fig. 9).



Procedimientos básicos de corte

⚠ ¡ADVERTENCIA! Esta unidad está diseñada para podar ramas y tallos de hasta 4.5 plg (11.4 cm) de diámetro, sin exceder un diámetro máximo de 4.5 plg (11.4 cm) dependiendo del tipo de madera. Practique cortando algunas ramas pequeñas empleando la siguiente técnica para tener una idea de cómo usar la motosierra antes de empezar una operación mayor de aserrado.

- Sujete la motosierra firmemente desde su empuñadura.
- Apriete el gatillo interruptor y deje que la cadena acelere a su máxima velocidad antes de proceder a cortar.
- Mantenga la unidad funcionando todo el tiempo de corte, a una velocidad constante.
- Deje que la cadena haga el trabajo, solo aplique una leve presión hacia abajo. Si fuerza el corte puede dañar la barra-guía, la cadena o la unidad.
- No aplique presión en la motosierra, hacia el final del corte.
- Corte siempre de pie con sus dos pies sobre terreno sólido para evitar caerse.

- No corte por sobre la altura del pecho ya que es difícil controlar fuerzas de contragolpe con una motosierra sostenida en alto.

Mantenimiento

Comuníquese con un concesionario autorizado Snow Joe® + Sun Joe® o comuníquese con la central de servicio al cliente Snow Joe® + Sun Joe® llamando al 1-866-SNOWJOE (1-866-766-9563) para cualquier operación de mantenimiento no descrita en este manual. Cualquier operación llevada a cabo en un centro no autorizado o por personal no calificado invalidará por completo la garantía.

⚠ ¡ADVERTENCIA! Para su seguridad y la de los demás:

- Un mantenimiento correcto es esencial para conservar la eficiencia y seguridad originales de la máquina con el tiempo.
- Mantenga todos los pernos, tuercas y tornillos ajustados para garantizar que el equipo esté en una condición segura de funcionamiento.
- Nunca use la máquina con partes gastadas o dañadas. Las partes dañadas deben ser reemplazadas, nunca reparadas.
- Solo use partes de repuesto originales Snow Joe® + Sun Joe®. Las partes que no son de la misma calidad pueden dañar severamente el equipo, comprometer la seguridad e invalidar la garantía.

⚠ ¡ADVERTENCIA! Siempre retire la batería antes de llevar a cabo cualquier ajuste, reparación o tarea de mantenimiento en su motosierra podadora inalámbrica.

- Use guantes protectores al manipular la barra-guía y la cadena.
- Mantenga la barra-guía insertada en su funda, excepto al intervenir directamente en la barra-guía o la cadena.
- Nunca se deshaga de aceites u otros materiales contaminantes en lugares no autorizados.

Enfriamiento del motor

Para evitar el sobrecalentamiento y daños al motor, mantenga siempre las ranuras de ventilación limpias y libres de aserrín y residuos.

Limpieza general

Para un máximo rendimiento, se recomienda limpiar la motosierra podadora inalámbrica inmediatamente luego de cada uso. Use un paño, un pincel o un cepillo para retirar polvo y astillas. Siempre mantenga las ranuras de ventilación limpias y libres de obstrucciones. Limpie la carcasa de la motosierra podadora inalámbrica de forma regular con un paño húmedo y jabón muy suave. No use agentes de limpieza ni solventes. Asegúrese de que no entre agua ni cualquier otro líquido dentro de la herramienta motorizada.

Limpie el área del piñón con un cepillo o aire comprimido (Fig. 10).

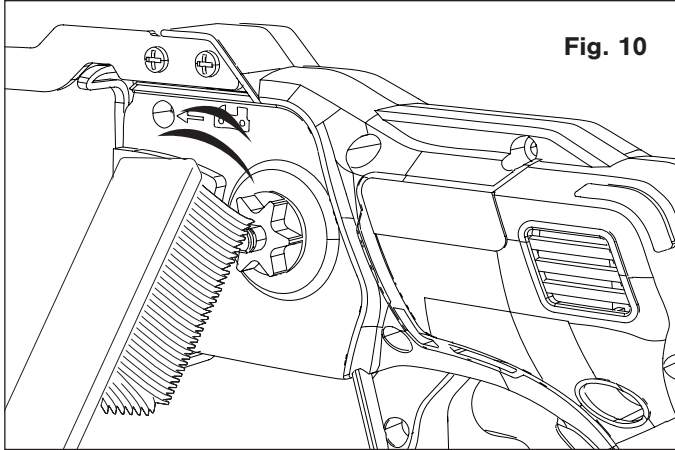


Fig. 10

Reemplazo de la barra-guía y cadena

NOTA: al reemplazar la barra-guía y la cadena, use solo partes de repuesto idénticas. Asegúrese de que la batería no esté insertada en el compartimiento antes de proceder con la operación.

⚠ ¡ADVERTENCIA! Use siempre guantes resistentes al manipular la barra-guía y la cadena. Monte la barra-guía y cadena de corte con mucho cuidado para no perjudicar la seguridad y eficiencia de la máquina. Si no está seguro, contacte a un concesionario autorizado Snow Joe® + Sun Joe® o comuníquese con la central de servicio al cliente Snow Joe® + Sun Joe® llamando al 1-866-SNOWJOE (1-866-766-9563).

⚠ ¡ADVERTENCIA! La operación debe ser hecha en una superficie plana y estable, con un espacio adecuado para mover la máquina y sus componentes.

⚠ ¡ADVERTENCIA! Nunca arranque el motor antes de instalar la barra-guía, cadena y cubierta de piñón. Sin todas estas partes en su lugar, el embrague puede explotar o salir volando, causando severas lesiones personales al usuario.

Cuando usted compre su motosierra podadora inalámbrica, la cadena y la barra-guía llegarán pre-ensambladas a la carcasa. En caso necesite reemplazar la cadena en el futuro, siga todos los pasos a continuación.

1. Desenrosque la perilla de cubierta de extremo de cadena/piñón en sentido antihorario para liberar la cubierta de extremo de cadena/piñón (Fig. 11).

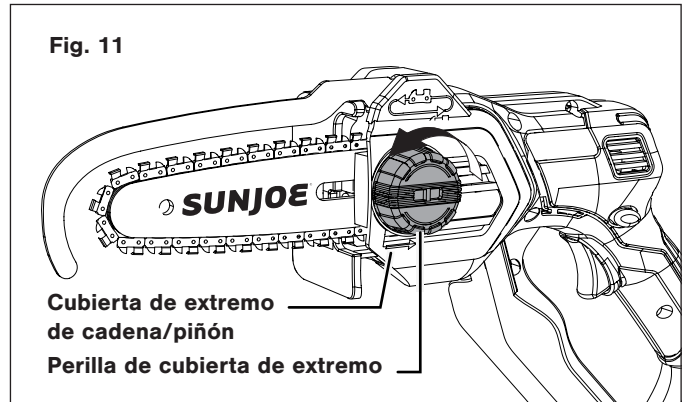


Fig. 11

Cubierta de extremo de cadena/piñón
Perilla de cubierta de extremo

2. Retire la barra-guía y cadena de la superficie de montaje (Fig. 12).

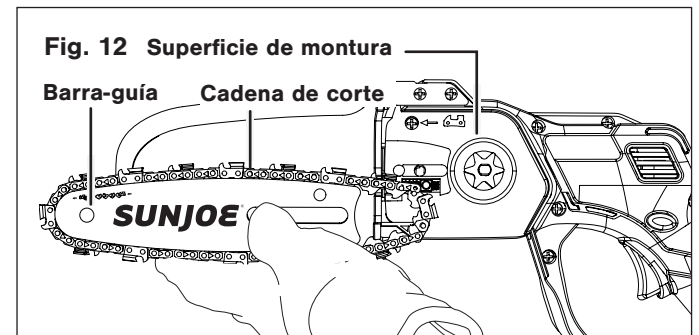


Fig. 12 Superficie de montaje

Barra-guía Cadena de corte

3. Retire la cadena antigua de la barra-guía.
4. Coloque la nueva cadena de la motosierra en un bucle, enderezando cualquier posible pliegue. **EL BORDE AFILADO DE LAS CUCHILLAS DEBE ESTAR ORIENTADO EN LA DIRECCIÓN OPUESTA A USTED, SIGUIENDO LA ROTACIÓN DE CADENA INDICADA EN LA Barra-guía** ← ←. Si las cuchillas están en sentido opuesto, dé vuelta al bucle (Fig. 13).

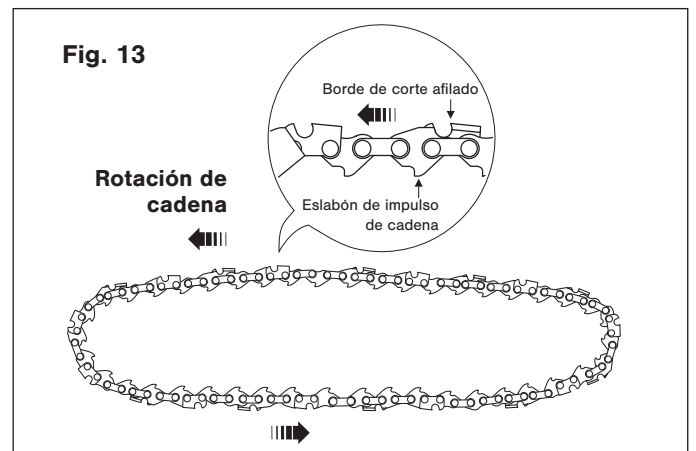
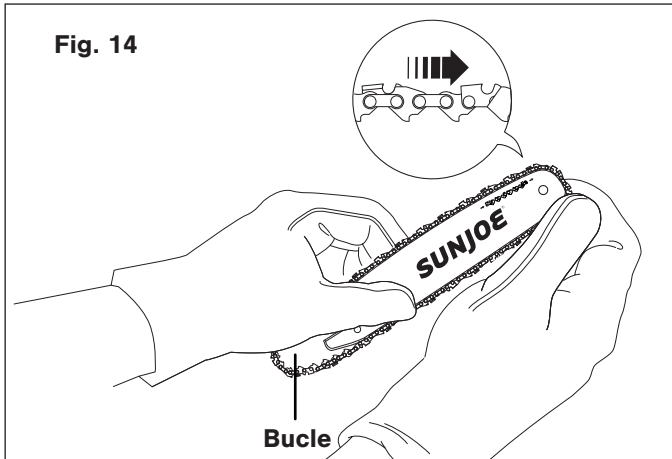


Fig. 13

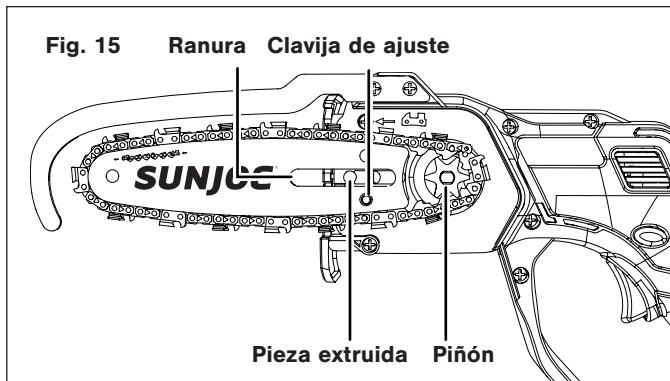
Borde de corte afilado
Rotación de cadena
Eslabón de impulso de cadena

- Empezando en la punta, monte los eslabones de impulso de la cadena en la ranura de la barra-guía, dejando un bucle en la parte posterior de la barra-guía. La cadena encajará suelta hasta que sea colocada alrededor del piñón (Fig. 14).

NOTA: compruebe la dirección correcta de la cadena. Si la cadena es montada al revés, la motosierra vibrará de forma anormal y no cortará.

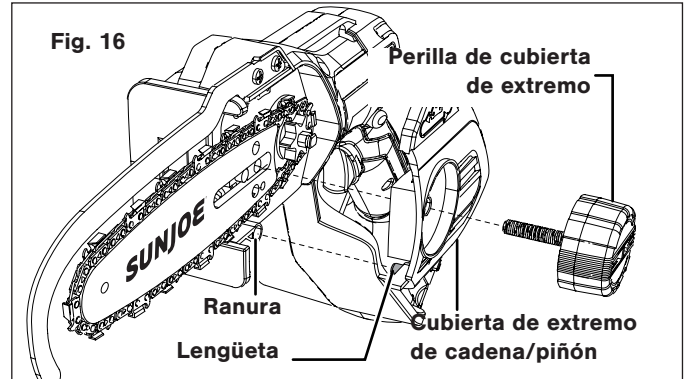


- Sostenga la cadena en su lugar sobre la barra-guía y coloque el bucle alrededor del piñón. Coloque la barra-guía contra la superficie de montura de manera que la pieza extruida en la superficie de montura esté en la ranura larga de la barra-guía y la clavija de ajuste esté en el orificio de clavija de tensión de cadena (Fig. 15).



- Mientras mantiene la barra-guía y la cadena contra la superficie de montura, ajuste la tensión de cadena según se necesite apretando el tornillo tensionador de cadena con la llave hexagonal suministrada. Gire el tornillo tensionador de cadena en sentido horario para ajustar la cadena, o en sentido antihorario para aflojar la cadena (Fig. 4).

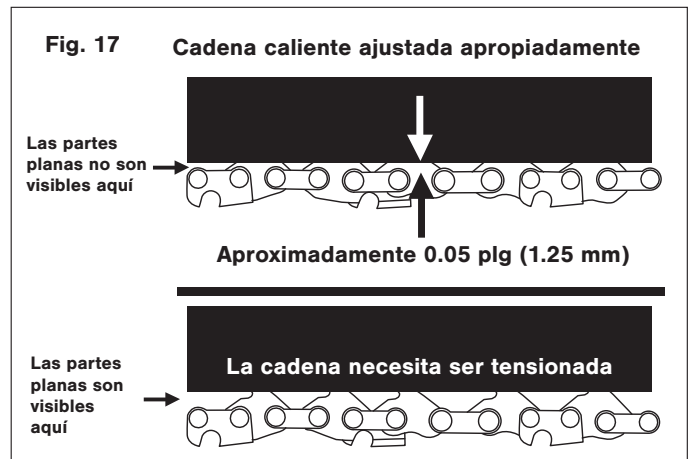
- Vuelva a colocar la cubierta de extremo de cadena/piñón insertando la lengüeta ubicada en la parte inferior, primero en la ranura, y colocando la cubierta sobre el extremo de la barra-guía. Apriete la perilla de cubierta de extremo, y deje la barra-guía lo suficientemente suelta de manera que se mueva un poco para el ajuste de tensión (Fig. 16).



Tensión de la cadena

Verifique la tensión de la cadena antes de usar la motosierra, cuando la cadena esté fría. Una cadena fría está tensionada correctamente cuando no hay una holgura en el lado inferior de la barra-guía: la cadena está ajustada pero usted puede lograr girarla a mano sin esfuerzo.

Durante la operación normal de la motosierra, la temperatura de la cadena se incrementará. Los eslabones de impulso de una cadena caliente correctamente tensionada colgarán aproximadamente a 0.05 plg (1.25 mm) de la ranura de la barra-guía (Fig. 17). Tenga en cuenta que una cadena tensionada cuando está caliente puede terminar demasiado ajustada al enfriarse. Verifique la "tensión en frío" antes del próximo uso. La cadena deberá ser re-tensionada cuando las partes planas en los eslabones de impulso cuelguen de la ranura de la barra-guía (Fig. 17).



Afilamiento de la cadena

⚠ ¡ADVERTENCIA! Para asegurarse de que la motosierra funcione de forma segura y eficiente, es esencial que los componentes de corte estén bien afilados. **Se recomienda enfáticamente reemplazar la cadena una vez que haya perdido su habilidad de cortar de forma limpia y segura.** Es posible, sin embargo, afilar la cadena existente si se hace con cuidado. Cualquier trabajo en la cadena y barra-guía requiere de una experiencia específica y herramientas especiales. Por motivos de seguridad le recomendamos contactar a un concesionario autorizado Snow Joe® + Sun Joe® o comunicarse con la central de servicio al cliente Snow Joe® + Sun Joe® llamando al 1-866-SNOWJOE (1-866-766-9563).

El afilamiento es necesario cuando:

- El aserrín parece polvo;
- El corte se vuelve más difícil;
- El corte no es recto; o
- Las vibraciones aumentan.

La cadena se puede afilar en un centro de servicio autorizado empleando las herramientas correctas para asegurar un mínimo retiro de material y un afilado parejo en todos los bordes de corte.

Si usted va a afilar la cadena por su cuenta, le recomendamos comprar el afilador de cadena de motosierra 24V-CSSHRP-LTE de Sun Joe®, el cual funciona con una batería iON+ de 24 V igual a las que alimentan esta motosierra podadora inalámbrica. Visite snowjoe.com o comuníquese con la central de servicio al cliente Snow Joe® + Sun Joe® llamando al 1-866-SNOWJOE (1-866-766-9563) para hacer su pedido.

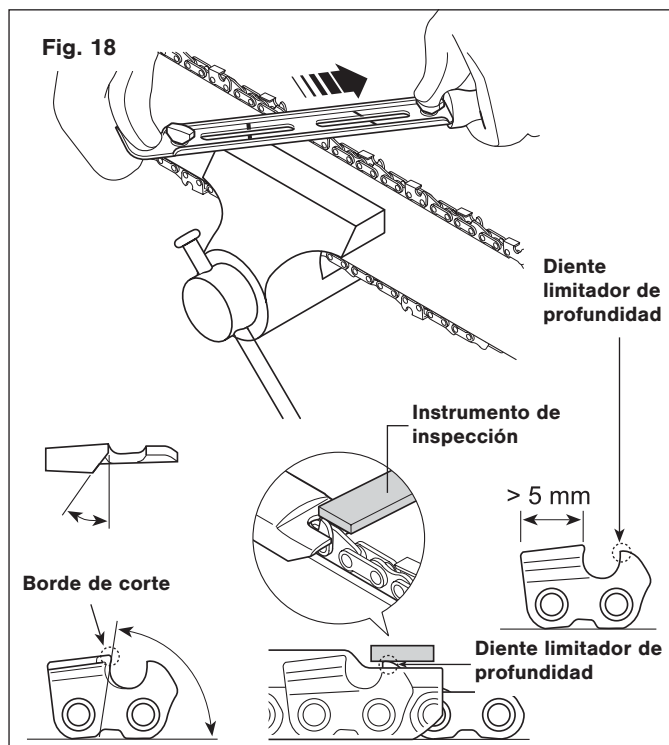
De otro modo, use limas especiales de secciones redondeadas con el diámetro correcto, dependiendo del tipo de cadena (ver “tabla de mantenimiento de cadena” en la página 45). Usted necesita un cierto nivel de destreza y experiencia para evitar dañar los bordes de corte.

Afile la cadena como se indica (Fig. 18):

- Asegure la barra-guía firmemente, con la cadena montada, en un tornillo de banco adecuado.
- Tensione la cadena si está suelta.
- Monte la lima en la guía y luego insértela en el diente, a un ángulo constante del borde de corte.
- Afile en un movimiento hacia adelante unas cuantas veces, y repita en todos los bordes de corte en la misma dirección (izquierda o derecha).
- Para hacer avanzar la cadena, use un destornillador.
- Voltee la barra-guía en el tornillo de banco y repita en los demás bordes de corte.
- Compruebe que el diente limitador no sobresalga más que el instrumento de inspección, y lime cualquier parte saliente con una lima plana, redondeando los bordes (Fig. 18).

- Luego del afilado, retire todos los residuos de afilado y polvo, y proceda a lubricar la cadena en un baño de aceite. Reemplace la cadena cuando:

- La longitud de los bordes de corte se reduzca a 5 mm o menos; o
- Haya demasiada holgura entre los eslabones y los remaches.



Mantenimiento de la barra-guía

Cuando la barra-guía muestre señales de desgaste, voltéela en la motosierra para distribuir el desgaste y lograr un máximo ciclo de vida útil. El desflecado y desbarbado de los rieles de la barra-guía son fenómenos normales del desgaste de la barra-guía. Usted debe corregir dichas fallas con una lima tan pronto como ocurran.

Reemplace una barra-guía con cualquiera de las siguientes fallas:

- Desgaste dentro de los rieles de la barra-guía, dejando que la cadena yazca de costado;
- Barra-guía doblada;
- Rieles resquebrajados o rotos; o
- Rieles partidos.

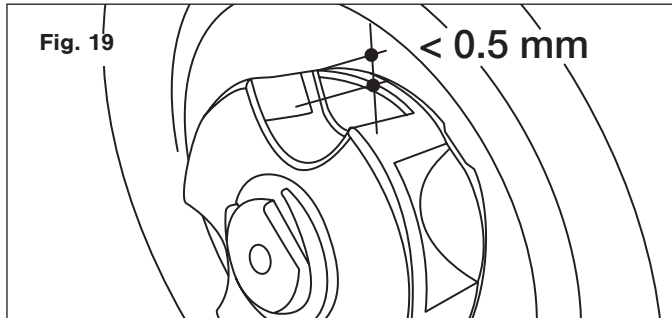
Voltee la motosierra, inspeccione el lado inferior de la barra-guía, y asegúrese de que los orificios de lubricación y la ranura de la cadena estén libres de impurezas.

Usted puede adquirir partes de repuesto para su motosierra podadora inalámbrica 24V-HCSEC-LT de Sun Joe® visitando snowjoe.com. Para hacer pedidos por teléfono, comuníquese con la central de servicio al cliente Snow Joe® + Sun Joe® llamando al 1-866-SNOWJOE (1-866-766-9563).

Piñón de cadena

Compruebe regularmente la condición del piñón y reemplácelo cuando el desgaste exceda los 0.5 mm (Fig. 19).

No instale una cadena nueva con un piñón gastado o viceversa.



Solución de problemas

Consejos para la solución de problemas

La mayoría de problemas son fáciles de resolver. Consulte la tabla de solución de problemas para problemas comunes y sus soluciones. Si usted continúa teniendo problemas o necesita reparaciones más allá de estos ajustes menores, llame al 1-866-SNOWJOE (1-866-766-9563) para obtener asistencia.

⚠ ¡ADVERTENCIA! Siempre retire la batería antes de llevar a cabo cualquier ajuste, tarea de mantenimiento o reparación en su motosierra podadora inalámbrica.

Tabla de solución de problemas

Problema	Acción correctiva
El motor de la motosierra no enciende.	<ul style="list-style-type: none"> Asegúrese de que la batería esté insertada correctamente. Verifique el estado de carga y recargue la batería.
La motosierra se detiene durante la operación.	<ul style="list-style-type: none"> Asegúrese de que la batería esté insertada correctamente. Verifique el estado de carga y recargue la batería. La máquina está sobrecargada.
La motosierra funciona, pero la velocidad de la cadena es baja.	<ul style="list-style-type: none"> La cadena está demasiado ajustada; vuélvala a tensionar.
La barra-guía y la cadena funcionan muy calientes y echan humo.	<ul style="list-style-type: none"> La cadena está demasiado ajustada; vuélvala a tensionar. La cadena necesita ser lubricada: lubrique la cadena con aceite.
El motor de la motosierra funciona, pero la cadena no está girando.	<ul style="list-style-type: none"> La cadena está demasiado ajustada; vuélvala a tensionar. La barra-guía o la cadena están dañadas; inspeccione y reemplace la parte dañada.

Lista de inspección diaria, limpieza y almacenamiento

Lista de inspección diaria

Para mantener su motosierra podadora inalámbrica funcionando de forma óptima, le recomendamos completar esta lista de inspección antes de cada sesión de trabajo.

⚠ ¡ADVERTENCIA! No inserte la batería hasta que usted haya realizado todas las inspecciones diarias.

- Inspeccione en busca de cualquier daño a la cadena, barra-guía o carcasa de motor.
- Inspeccione los rieles de la barra-guía y límpielos para retirar toda suciedad.
- Inspeccione la tensión de la cadena.
- Verifique que las cuchillas de la cadena estén afiladas.

NOTA: si se percata de algo inusual, tal como una vibración o sonido extraño, apague la motosierra inmediatamente. Retire la batería y revise la motosierra, buscando el daño.

Si no puede encontrar la causa del problema o no sabe qué hacer, haga que un concesionario autorizado Snow Joe® + Sun Joe® inspeccione la motosierra, o comuníquese con la central de servicio al cliente Snow Joe® + Sun Joe® llamando al 1-866-SNOWJOE (1-866-766-9563) antes de usarla.

¡PRECAUCIÓN!

- Retire la batería y espere por lo menos cinco minutos para que la motosierra se enfríe antes de guardarla o repararla.
- Si usted deja caer la motosierra, inspecciónela cuidadosamente para comprobar que no se hayan producido daños. Si la barra-guía está doblada, la carcasa está quebrada, la empuñadura está rota, o si usted nota cualquier otra condición que pueda afectar la operación de la motosierra, **NO USE LA HERRAMIENTA**. Más bien, hágala reparar en un distribuidor Snow Joe® + Sun Joe® autorizado o comuníquese con la central de servicio al cliente Snow Joe® + Sun Joe® llamando al 1-866-SNOWJOE (1-866-766-9563).

Limpieza


Use solo detergente suave y un paño mojado para limpiar la motosierra podadora inalámbrica. No permita que ningún líquido se meta dentro de la carcasa del motor y **NUNCA** sumerja ninguna parte de la carcasa de la motosierra en ningún líquido.


Almacenamiento

- Asegúrese de que la cubierta de la barra-guía esté puesta sobre esta al momento de almacenar la herramienta.
- No guarde la motosierra podadora inalámbrica cerca de químicos tales como fertilizantes u otros solventes agresivos. No exponga las partes plásticas de la unidad a líquidos de frenos, gasolina, productos a base de petróleo, aceites penetrantes o sustancias similares. Estos productos son en su mayoría altamente corrosivos y pueden dañar permanentemente, debilitar o destruir las partes plásticas de su producto.
- Cuando no esté siendo usada, su máquina deberá ser guardada en interiores, en lugares secos y altos o bajo llave, lejos del alcance de los niños.

Precaución y eliminación de la batería

Deshágase de su batería de acuerdo con los reglamentos federales, estatales y locales. Para encontrar lugares de reciclaje, comuníquese con un servicio de reciclaje en su localidad.

 **¡PRECAUCIÓN!** Incluso las baterías descargadas contienen algo de energía. Antes de deshacerse de estas, use cinta aislante para cubrir los terminales y evitar que la batería haga cortocircuito, lo cual puede causar una explosión o incendio.

 **¡ADVERTENCIA!** Para reducir el riesgo de lesiones personales o explosión, nunca queme ni incinere una batería incluso si está dañada, inservible o completamente descargada. Al ser quemada, los humos y materiales tóxicos son lanzados a la atmósfera circundante.

1. Las baterías varían de acuerdo al dispositivo. Consulte su manual para obtener la información específica.
2. Instale solo nuevas baterías del mismo tipo en su producto (donde corresponda).
3. No insertar las baterías con la polaridad correcta, tal como se indica en el compartimiento de la batería o en el manual, puede reducir el ciclo de vida útil de las baterías o causar fugas en estas.
4. No combine baterías nuevas con antiguas.
5. No combine baterías alcalinas, estándar (de zinc-carbono) o recargables (de níquel-cadmio, de níquel-hidruro metálico o de iones de litio).
6. No arroje las baterías al fuego.
7. Las baterías deben ser recicladas o desechadas según los reglamentos locales y estatales.

Servicio y soporte

Si su motosierra podadora inalámbrica 24V-HCSEC-LT de Sun Joe® requiere servicio o mantenimiento, llame al 1-866-SNOWJOE (1-866-766-9563) para obtener ayuda.


Modelo y número de serie

Al comunicarse con la empresa, ordenar partes de repuesto o programar una reparación en un centro autorizado, usted necesitará proporcionar el modelo y número de serie, los cuales se encuentran en la etiqueta ubicada en la carcasa de la unidad. Copie estos números en el espacio proporcionado a continuación.

Registre los siguientes números que se encuentran en la carcasa o empuñadura de su nuevo producto:	
Modelo:	
2 4 V - H C S E C - L T	
N° de serie:	

XZ2600-0450

Federal Communications Commission (Comisión Federal de Comunicaciones o FCC)

 **¡ADVERTENCIA!** Cualquier cambio o modificación a esta unidad no aprobado expresamente por la parte responsable por el cumplimiento puede hacer que el usuario pierda el derecho de utilizar el equipo.

Este dispositivo cumple con la parte 15 de las normas de la FCC. Su operación está sujeta a las siguientes dos condiciones: (1) este dispositivo no puede causar interferencia dañina; y (2) este dispositivo debe aceptar cualquier interferencia recibida, incluso una interferencia que pueda causar una operación no deseada.

Dispositivo Clase B

NOTA: este equipo ha sido probado y cumple con los límites de la Clase B de dispositivos digitales, de acuerdo con la Parte 15 de las normas de la FCC.

Estos límites están diseñados para proporcionar protección razonable contra interferencias dañinas en una instalación residencial.

Este equipo genera, usa y puede irradiar energía de radiofrecuencia y, si no se instala y utiliza de acuerdo con las instrucciones, puede provocar interferencias perjudiciales en las comunicaciones radiofónicas.

No obstante, no hay garantía alguna de que no se produzcan interferencias en una instalación concreta.

Si este equipo llegara a causar una interferencia perjudicial para la recepción de radio o televisión (la cual se puede determinar apagando y encendiendo el equipo), se recomienda que el usuario trate de corregir la interferencia tomando una o más de las siguientes medidas:

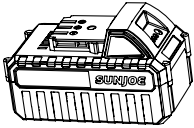
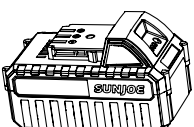

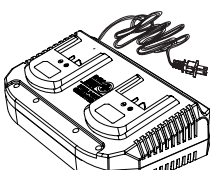
- Reorientar o reubicar la antena receptora.
- Aumentar la distancia entre el equipo y el receptor.
- Conectar el equipo a un tomacorriente correspondiente a un circuito diferente de aquel al que está conectado el receptor.
- Consultar a un comerciante o a un técnico experimentado de radio y televisión.


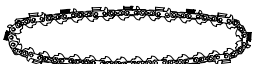
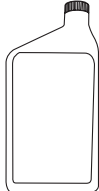
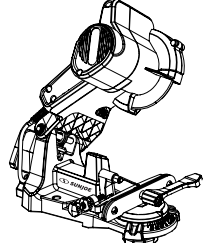
Tabla de mantenimiento de cadena

Eslabones de impulso	Paso de cadena		Calibre de cadena		Diámetro de lima	
	Pulgadas	Milímetros	Pulgadas	Milímetros	Pulgadas	Milímetros
27	0.3	7.62	0.043	1.1	0.138	3.5

Accesorios opcionales

⚠ ¡ADVERTENCIA! USE SIEMPRE solo partes de repuesto y accesorios Snow Joe® + Sun Joe®. NUNCA use partes de repuesto o accesorios que no estén destinados para su uso con esta motosierra. Comuníquese con Snow Joe® + Sun Joe® si tiene dudas sobre si es seguro usar una parte de repuesto o accesorio en particular con su herramienta. El uso de cualquier otro accesorio o parte puede ser peligroso y causar lesiones personales o daños mecánicos.

Accesorio	Descripción	Modelo
<p>1</p> 	<p>Batería de iones de litio iON+ de 24 V y 4.0 Ah</p>	<p>24VBAT</p>
<p>2</p> 	<p>Batería de iones de litio iON+ de 24 V y 5.0 Ah</p>	<p>24VBAT-XR</p>
<p>3</p> 	<p>Cargador rápido de batería de iones de litio iON+ de 24 V</p>	<p>24VCHRG-QC</p>
<p>4</p> 	<p>Cargador de doble puerto baterías de iones de litio iON+ de 24 V</p>	<p>24VCHRG-DPC</p>

Accesorio	Descripción	Modelo
<p>5</p> 	<p>Barra-guía de repuesto de 5 plg de Sun Joe®</p>	<p>SWJ-5BAR</p>
<p>6</p> 	<p>Cadena de repuesto de 5 plg de Sun Joe®</p>	<p>SWJ-5CHAIN</p>
<p>7</p> 	<p>Aceite para barra-guía y cadena</p>	<p>SWJ-OIL De venta en sunjoe.com, o puede comprar un aceite equivalente para barra-guía y cadena en su ferretería local.</p>
<p>8</p> 	<p>Afilador inalámbrico de cadena de motosierra iON+ de 24 V de Sun Joe®</p>	<p>24V-CSSHRLTE</p>

NOTA: los accesorios están sujetos a cambios sin obligación alguna por parte de Snow Joe® + Sun Joe® de notificar sobre dichos cambios. Los accesorios pueden ser pedidos en línea en sunjoe.com o vía telefónica llamando a la central de servicio al cliente Snow Joe® + Sun Joe® al 1-866-SNOWJOE (1-866-766-9563).



LA PROMESA DE SNOW JOE® + SUN JOE® AL CLIENTE

POR SOBRE TODO, en Snow Joe, LLC (“Snow Joe”) estamos dedicados a usted, nuestro cliente. Nos esforzamos por hacer que su experiencia sea lo más placentera posible. Desafortunadamente, hay veces en que un producto Snow Joe®, Sun Joe®, o Aqua Joe® (el “Producto”) no funciona o sufre un desperfecto bajo condiciones normales de operación. Creemos que es importante que usted sepa que puede confiar en nosotros. Es por eso que tenemos esta Garantía Limitada (la “Garantía”) para nuestros Productos.

NUESTRA GARANTÍA:

Snow Joe garantiza que sus Productos motorizados y no motorizados, nuevos y genuinos, están libres de defectos materiales o de mano de obra al ser usados en tareas domésticas normales durante un periodo de dos (2) años a partir de la fecha de compra por parte del comprador original y usuario final, cuando este último los compra a través de Snow Joe o un vendedor autorizado por Snow Joe y ha obtenido un comprobante de compra. Ya que Snow Joe no puede controlar la calidad de sus Productos vendidos por vendedores no autorizados, a menos que la ley lo prohíba esta Garantía no cubre Productos adquiridos a través de vendedores no autorizados. Si su Producto no funciona, o hay un problema con una parte específica que está cubierta por los términos de esta Garantía, Snow Joe elegirá entre: (1) enviarle una parte de repuesto gratuita; (2) reemplazar el Producto con uno nuevo o similar sin costo alguno; o (3) reparar el Producto. ¡Un excelente soporte!

Esta Garantía le da derechos legales específicos, y usted puede también tener otros derechos según el Estado.

REGISTRO DEL PRODUCTO:

Snow Joe le recomienda enfáticamente registrar su Producto. Usted puede registrar su Producto en línea visitando snowjoe.com/register, imprimiendo y enviando por correo una tarjeta de registro disponible en línea en nuestro sitio Web, llamando a nuestra central de servicio al cliente al **1-866-SNOWJOE (1-866-766-9563)**, o enviándonos un e-mail a help@snowjoe.com. Si usted no registra su Producto sus derechos de garantía no disminuirán; sin embargo, registrar su Producto permitirá que Snow Joe le pueda atender mejor si usted tiene alguna necesidad como cliente.

¿QUIÉN PUEDE SOLICITAR COBERTURA DE GARANTÍA LIMITADA?

Esta Garantía es otorgada por Snow Joe al comprador original y propietario original del Producto.

¿QUÉ NO ESTÁ CUBIERTO?

Esta Garantía no se aplica si el Producto ha sido usado de forma comercial o en aplicaciones no domésticas o de alquiler. Esta Garantía tampoco se aplica si el Producto fue adquirido desde un vendedor no autorizado. Esta garantía tampoco cubre cambios cosméticos que no afecten el funcionamiento del Producto. Las partes desgastables como correas, brocas y cuchillas no están cubiertas por esta Garantía, y pueden ser compradas visitando snowjoe.com o llamando al **1-866-SNOWJOE (1-866-766-9563)**.

IMPORTANT!

Consignes de sécurité

Tous les utilisateurs doivent lire ces instructions avant d'utiliser l'outil

Lire tous les avertissements de sécurité et toutes les consignes. Le non-respect des avertissements et des consignes de sécurité pourrait être à l'origine d'une secousse électrique, d'un incendie et/ou de graves dommages corporels. Conservez tous les avertissements et consignes pour pouvoir les consulter dans le futur.

⚠ DANGER! Ceci indique une situation dangereuse qui, en l'absence de précautions, entraînera des blessures graves ou même fatales.

⚠ AVERTISSEMENT! Ceci indique une situation dangereuse qui, si elle n'est pas évitée, pourrait entraîner des blessures graves ou même fatales.

⚠ MISE EN GARDE! Ceci indique une situation dangereuse qui, en l'absence de précautions, pourrait entraîner des blessures mineures ou modérément graves.

Utilisation prévue

Cette scie à élaguer sans cordon a été conçue et fabriquée pour tailler et élaguer le branchage et les branches d'arbre et pour scier de petites bûches de diamètre mesurant jusqu'à 11,4 cm, soit le diamètre maximal recommandé, et ayant en tout cas un diamètre maximal de 14 cm, en fonction du type de bois. Tout ce qui est en bois et qui est destiné à être scié à l'aide de cette scie à élaguer ne doit pas être plus épais que la capacité maximale de sciage du guide-chaîne.

Toute autre utilisation différente de celles mentionnées ci-dessus présente de graves dangers pour l'utilisateur et peut endommager à la fois l'outil et ce qui est autour. L'utilisation inappropriée de l'outil annule la garantie et dégage le fabricant de toutes ses responsabilités. Dès lors, l'utilisateur est responsable de tous les dommages matériels ou corporels, de quelque nature qu'ils soient, affectant d'autres personnes ou lui-même.

Avertissements d'ordre général sur la sécurité des outils électriques

⚠ AVERTISSEMENT! Lire tous les avertissements de sécurité et consultez toutes les consignes, illustrations et spécifications fournies avec cet outil électrique. Le non-respect de toutes les consignes pourrait être à l'origine d'une secousse électrique, d'un incendie et/ou de graves dommages corporels. Conservez tous les avertissements et consignes pour pouvoir les consulter dans le futur.

Sécurité de la zone d'utilisation

1. **Maintenir la zone de travail propre et bien éclairée** – les endroits encombrés et sombres sont propices aux accidents.
2. **Ne pas utiliser d'outils électriques lorsque l'atmosphère est explosive, par exemple en présence de liquides inflammables, de gaz ou de poussière** – Les outils électriques produisent des étincelles qui peuvent enflammer la poussière ou les fumées.
3. **Maintenir les enfants et les spectateurs à bonne distance pendant l'utilisation d'un outil électrique** – Les distractions peuvent vous faire perdre le contrôle de l'outil.

Sécurité électrique

1. **La fiche du cordon de l'outil électrique doit correspondre à la prise. N'apporter aucune modification, quelle qu'elle soit, à la fiche. Ne pas utiliser de fiches d'adaptation avec les outils électriques mis à la terre** – Des fiches non modifiées branchées dans des prises correspondantes réduiront le risque de secousse électrique.
2. **Éviter tout contact du corps avec tout ce qui est mis à la terre, p. ex., tuyaux, radiateurs, fourneaux de cuisine et réfrigérateurs** – Il y a un risque accru de secousse électrique si votre corps est relié à la terre.
3. **Ne pas malmener le cordon. Ne jamais utiliser le cordon pour transporter, tirer ou débrancher l'outil électrique. Maintenir le cordon éloigné de la chaleur, de l'huile, d'arêtes vives ou de pièces mobiles** – Les cordons endommagés ou emmêlés augmentent le risque de secousse électrique.

**Tension initiale à vide; grimpe à 24 volts une fois à charge complète; la tension nominale sous charge typique est de 21,6 volts.*

4. **Pour l'utilisation d'un outil électrique à l'extérieur, l'équiper d'une rallonge électrique prévue pour l'extérieur** – L'utilisation d'un cordon prévu pour l'extérieur réduit le risque de secousse électrique.
5. **S'il est inévitable d'utiliser l'outil électrique dans un endroit humide, l'équiper d'une alimentation électrique protégée par un DISPOSITIF DIFFÉRENTIEL À COURANT RÉSIDUEL** – L'utilisation d'un dispositif différentiel à courant résiduel réduit le risque de secousse électrique.

Sécurité personnelle

1. **Rester vigilant, attentif à la tâche et faire preuve de bon sens pendant l'utilisation de cet outil. Ne pas l'utiliser en état de fatigue ou sous l'emprise d'alcool ou de drogue ou après avoir pris des médicaments** – Lorsque vous utilisez un outil électrique, un moment d'inattention peut se traduire par de graves blessures.
2. **Utiliser un équipement de protection individuel. Toujours porter des lunettes de protection** – Des équipements de protection, par exemple un masque antipoussières, des chaussures de sécurité antidérapantes, un casque de protection ou des protecteurs d'oreille, utilisés dans les conditions appropriées réduiront le risque de blessures.
3. **Prévenir les démarrages accidentels. Avant d'insérer le bloc-piles, de saisir l'outil ou de le transporter, s'assurer que le bouton-poussoir de sécurité n'est pas enfoncé** – Transporter un outil électrique en maintenant le doigt sur la gâchette marche/arrêt peut être source d'accidents.
4. **Retirer toute clé de réglage ou autre clé avant de mettre en marche l'outil électrique** – Toute clé qui reste attachée à une pièce tournante d'un outil électrique peut entraîner des dommages corporels.
5. **Ne pas s'arc-bouter. Rester en permanence sur les deux pieds pour ne pas perdre l'équilibre** – Vous aurez alors un meilleur contrôle de l'outil électrique dans les situations imprévues.
6. **S'habiller en conséquence. Ne porter ni vêtements amples ni bijoux. Maintenir les cheveux, les vêtements et les gants éloignés de toutes les pièces mobiles** – Les vêtements amples, les bijoux ou les cheveux longs peuvent se prendre dans les pièces mobiles.
7. **Si des accessoires sont fournis pour s'attacher à des dispositifs d'extraction ou de ramassage de la poussière, s'assurer qu'ils sont correctement attachés et utilisés** – L'utilisation de dispositifs de dépoussiérage peut réduire les dangers associés à la poussière.
8. **Ne pensez pas qu'en utilisant fréquemment un outil, votre familiarité avec cet outil vous permet de relâcher votre vigilance et d'ignorer les principes de sécurité de cet outil.** Une fraction de seconde d'inattention suffit pour se blesser gravement.

Utilisation et entretien des outils électriques

1. **Ne pas forcer l'outil électrique. Utiliser l'outil électrique adéquat pour la tâche à entreprendre** – L'outil électrique approprié effectuera mieux son travail et sera plus sûr s'il est utilisé de la façon pour laquelle il a été conçu.
2. **Ne pas utiliser l'outil électrique si l'interrupteur ne réussit pas à l'éteindre ou à l'allumer** – Un outil électrique qui ne répond pas aux commandes de l'interrupteur est dangereux et doit être réparé.
3. **Retirer le bloc-piles de l'outil électrique avant de procéder à des réglages, de changer d'accessoire ou de le remiser** – Ces mesures préventives de sécurité visent à réduire le risque de démarrage accidentel de l'outil électrique.
4. **Remiser les outils électriques dans un endroit inaccessible aux enfants et ne jamais les laisser utiliser par des personnes qui ne sont pas familiarisées avec leur notice d'utilisation** – Les outils électriques sont dangereux lorsqu'ils sont entre les mains d'utilisateurs inexpérimentés.
5. **Entretenir les outils électriques. Vérifier si les pièces mobiles sont correctement alignées et ne grippent pas, si des pièces sont cassées, et tout ce qui pourrait compromettre le bon fonctionnement de l'outil électrique. Si l'outil électrique est endommagé, le faire réparer avant de l'utiliser** – Les outils électriques mal entretenus sont à l'origine de nombreux accidents.
6. **Maintenir les outils de coupe bien affûtés et propres** – Les outils de coupe entretenus de façon appropriée et aux tranchants bien affûtés sont moins susceptibles de gripper et sont plus faciles à contrôler.
7. **Utiliser l'outil électrique et ses accessoires en respectant ces instructions et s'assurer de tenir compte des conditions de travail et de la tâche à effectuer** – L'utilisation de cet outil électrique pour des travaux différents de ceux auxquels il est destiné peut être à l'origine de situations dangereuses.
8. **Maintenir les poignées et les surfaces de préhension sèches, propres et exemptes d'huile et de graisse** – Les poignées et les surfaces de préhension glissantes ne permettent pas de manipuler et contrôler l'outil de manière sûre lors de situations imprévues.

Utilisation et entretien de la batterie

⚠ AVERTISSEMENT! Lire en totalité les avertissements et consignes de sécurité. Le non-respect des avertissements et des consignes de sécurité pourrait être à l'origine d'une secousse électrique, d'un incendie et/ou de graves dommages corporels.

1. Rechargez uniquement à l'aide du chargeur spécifié par le fabricant. Un chargeur qui est adapté pour un type de blocs-piles peut présenter un risque d'incendie lorsqu'il est utilisé avec un autre type de blocs-piles.

2. Utilisez le chargeur uniquement avec le type de blocs-piles spécifiquement indiqué. L'utilisation d'un autre type de blocs-piles peut présenter un risque de dommages corporels et d'incendie.
3. Lorsque vous n'utilisez pas le bloc-piles, rangez-le à l'écart d'autres objets métalliques, par exemple les trombones, pièces de monnaie, clés, clous, vis ou autres petits objets métalliques qui peuvent établir un contact entre les deux bornes. Le court-circuit des bornes d'une batterie peut être à l'origine de brûlures ou d'un incendie.
4. Si la batterie est malmenée, du liquide peut s'en échapper; évitez tout contact. En cas de contact accidentel, rincez abondamment à l'eau. En cas de contact du liquide avec les yeux, consultez un médecin. Le liquide qui s'échappe de la batterie peut causer une irritation ou des brûlures.
5. Ne pas utiliser un bloc-piles ou un chargeur endommagé ou modifié. Les batteries endommagées ou modifiées peuvent se comporter de manière imprévisible et être la cause d'un incendie, d'une explosion ou de dommages corporels.
6. N'exposez ni bloc-piles ni chargeur au feu ou à une température excessive. Une exposition à un feu ou une température supérieure à 40,5 °C peut déclencher une explosion.
7. Suivez toutes les instructions de charge du bloc-piles et du chargeur en veillant à ne jamais procéder à cette opération à une température en dehors de la zone de sécurité spécifiée dans ces instructions. Charger une batterie de façon inappropriée ou à une température en dehors de la zone de sécurité spécifiée peut l'endommager et augmenter le risque d'incendie.
8. Ne modifiez pas le chargeur ou le bloc-piles (le cas échéant) ou n'essayez pas de les réparer, sauf précisions contraires concernant leur utilisation ou leur entretien.

Entretien et réparation

1. **Faites réparer ou entretenir l'outil électrique par un réparateur qualifié utilisant uniquement des pièces de rechange identiques.** C'est à ce prix que la sécurité de l'outil électrique sera préservée.
2. **Ne réparez jamais un bloc-piles endommagé.** La réparation de bloc-piles doit être effectuée uniquement par le fabricant ou des prestataires de services agréés.

Consignes de sécurité pour les scies à élaguer

Avertissements d'ordre général sur la sécurité des scies à élaguer

- **Lors de l'utilisation de la scie à élaguer, maintenir toutes les parties du corps éloignées de la chaîne de sciage. Avant de démarrer la scie à élaguer, s'assurer que la chaîne de sciage n'est en contact avec rien.** Un moment d'inattention pendant l'utilisation de la scie à élaguer peut entraîner l'enchevêtrement des vêtements de

l'utilisateur dans la chaîne de sciage, une partie de son corps pouvant même se prendre dedans.

- **Saisir l'outil électrique en plaçant la main uniquement sur la surface isolée prévue à cet effet, car la chaîne de sciage peut entrer en contact avec un câble dissimulé.** Lorsqu'une scie à chaîne touche un fil ou un câble « sous tension », les pièces métalliques non isolées de l'outil électrique peuvent elles aussi être « sous tension » et électrocuter l'utilisateur.
- **Porter des lunettes de sécurité et des protecteurs d'oreille. Un équipement de protection supplémentaire pour la tête, les mains, les jambes et les pieds est recommandé.** Des vêtements de protection appropriés réduiront le risque de dommages corporels dus à des débris volants ou consécutifs à un contact accidentel avec la chaîne de sciage.
- **Toujours rester sur les deux pieds et utiliser la scie à élaguer uniquement en restant debout sur une surface de niveau, stable et ne présentant aucun danger.** Les surfaces glissantes ou instables, par exemple les échelles, peuvent faire perdre l'équilibre et le contrôle de la scie à élaguer.
- **Lors du sciage d'une branche qui est sous tension, veiller au retour soudain en coup de fouet de la branche.** Lorsque la tension des fibres de bois se relâche, la branche, comme sous l'effet d'un ressort, peut frapper l'utilisateur et/ou lui faire perdre le contrôle de la scie à élaguer.
- **Faire preuve d'une extrême prudence lors de la taille de haies ou de jeunes arbres.** Le branchage effilé peut attraper la chaîne de sciage et se relâcher brusquement en faisant perdre l'équilibre à l'utilisateur.
- **Transporter la scie, interrupteur fermé, par la poignée en la tenant éloignée du corps. Lors du transport ou du remisage de la scie, toujours enfilez la coiffe sur le guide-chaîne.** Si la scie est manipulée de façon appropriée, la probabilité d'un contact accidentel avec la chaîne de sciage en mouvement est réduite.
- **Suivre les instructions de lubrification, de tension de la chaîne et de changement d'accessoire.** Une chaîne mal tendue ou mal lubrifiée peut se rompre ou être plus susceptible de présenter des effets de rebond.
- **Scier uniquement du bois. Ne pas utiliser la scie à élaguer à d'autres fins. Par exemple, ne pas utiliser la scie à élaguer pour couper du plastique, des matériaux de construction de maçonnerie ou qui ne sont pas en bois.** L'utilisation de la scie à élaguer pour ce type de matériau pourrait être à l'origine de graves dommages corporels et matériels.
- Maintenir en place les dispositifs de protection. Ils doivent être vérifiés périodiquement pour s'assurer qu'ils sont bien attachés et en bon ordre de marche.
- Pour ramasser la scie ou la tenir, ne pas la saisir par le guide-chaîne ou les tranchants s'ils ne sont pas protégés. S'assurer de placer le guide-chaîne dans sa coiffe protectrice quand la scie n'est pas utilisée.

- **Cette scie n'est pas destinée à l'abattage d'arbres.**
L'utilisation de la scie pour des travaux différents de ceux auxquels elle est destinée peut être à l'origine de graves dommages blessures pour l'utilisateur ou les spectateurs.

Causes et prévention de l'effet de rebond pour l'utilisateur

Un effet de rebond peut se produire lorsque le pignon de renvoi ou l'embout du guide-chaîne touche un objet ou lorsque le bois se rapproche trop près de la chaîne de sciage et la pince dans l'entaille en la retenant.

Dans certains cas, le contact avec l'embout peut entraîner une brusque réaction inverse en faisant rebondir le guide-chaîne vers l'avant et vers l'arrière en direction de l'utilisateur.

Le pincement de la chaîne de sciage le long de la partie supérieure du guide-chaîne peut pousser rapidement le guide-chaîne et le rabattre en direction de l'utilisateur.

L'une ou l'autre de ces réactions peut vous faire perdre le contrôle de la scie et vous blesser gravement. Ne comptez pas exclusivement sur les dispositifs de sécurité intégrés à votre scie. En tant qu'utilisateur d'une scie à élaguer, vous devez prendre plusieurs mesures pour que vos travaux de sciage ne causent aucun dommage corporel ou matériel.

L'effet de rebond est le résultat d'une mauvaise utilisation de l'outil et/ou de procédures ou de conditions d'utilisation inappropriées, ce qui peut être évité en prenant les précautions qui s'imposent et qui sont fournies ci-dessous :

- **Tenez fermement la scie d'une main en enroulant les doigts et le pouce autour de la poignée et en plaçant le corps et le bras dans une position vous permettant de bien résister aux forces de rebond.** Les forces de rebond peuvent être contrôlées par l'utilisateur si les précautions qui s'imposent sont prises. Ne vous laissez pas entraîner par la scie.
- **Ne vous arc-boutez pas et ne sciez pas plus haut qu'à hauteur d'épaule.** Ceci empêche tout contact accidentel avec l'embout du guide-chaîne et permet de mieux contrôler l'outil dans les situations imprévues.
- **Utilisez uniquement les guides et chaînes de rechange spécifiés par le fabricant.** Le remplacement inapproprié d'un guide ou d'une chaîne peut être à l'origine d'une rupture de la chaîne et/ou d'effets de rebond.
- N'utilisez jamais une chaîne émoussée ou lâche. Maintenez la chaîne affûtée et tendue de façon appropriée.
- **Suivez les consignes d'affutage et d'entretien du fabricant de la chaîne de sciage.** Si vous réduisez la hauteur du guide de profondeur, les effets de rebond peuvent s'amplifier.

Consignes de sécurité supplémentaires pour scie à élaguer

- La scie à élaguer est destinée à scier des branches. Utilisez uniquement la scie à élaguer comme indiqué dans ce manuel pour scier du bois. L'outil n'a pas été conçu pour une utilisation professionnelle continue.
- Maintenez la scie à élaguer hors de portée des enfants. Ce n'est pas un jouet.
- Les personnes ayant des capacités physiques, sensorielles ou mentales limitées ne sont pas autorisées à utiliser la scie à élaguer, à moins d'être supervisées par une personne qualifiée responsable de leur sécurité ou d'avoir reçu des instructions de cette personne sur la façon d'utiliser sans danger l'outil.
- Les enfants et les adolescents ne sont pas autorisés à utiliser la scie à élaguer. Ne font pas l'objet de cette interdiction les jeunes de plus de 16 ans sous la supervision d'une personne avisée dont l'objectif est de leur apprendre à utiliser l'outil.
- Veuillez tenir compte des symboles d'avertissement. Ils soulignent toutes les consignes qui sont importantes par mesure de sécurité. Le fait de ne pas observer ces consignes pourrait entraîner de graves dommages corporels!
- La scie à élaguer ne doit être utilisée que par une seule personne à la fois. Assurez-vous qu'il n'y a aucun spectateur dans le voisinage de la zone de travail de la scie à élaguer.
- Avant chaque utilisation, vérifiez que la scie à élaguer et en particulier le guide-chaîne et la chaîne de sciage fonctionnent bien et sans danger.
- Lorsque vous travaillez avec la scie, assurez-vous d'être debout, bien planté sur les deux pieds.
- Lorsque vous la mettez en marche, tenez fermement la scie.
- Assurez-vous également que le guide-chaîne et la chaîne de sciage ne sont pas en contact avec ce que vous devez scier.
- Gardez les mains à l'écart de la zone de sciage. N'essayez pas d'attraper par le dessous ce que vous devez scier. Tout contact avec la chaîne de sciage peut vous blesser.
- Guidez la scie à élaguer sur ce que vous devez scier uniquement quand la scie est en marche. Sinon, la chaîne de sciage risque de se prendre dans ce que vous devez scier et de provoquer un effet de rebond.
- Pendant le sciage, la semelle doit toujours faire face à ce que vous devez scier. La chaîne de sciage peut se coincer et entraîner la perte de contrôle de l'outil.
- Une fois que le sciage est achevé, éteignez l'outil et tirez la chaîne de sciage de l'entaille uniquement après son arrêt complet. Vous éviterez ainsi un effet de rebond.
- Le cas échéant, attachez bien ce que vous devez scier. N'utilisez jamais à cet effet la main ou le pied. Ne mettez pas la scie en marche en contact avec un objet ou le sol : il y a risque de rebond.

- Lorsque vous sciez du bois débité ou des branches minces, utilisez toujours un support solide, par exemple un chevalet. N'empilez pas du bois débité.
- Avant de scier une bûche, attachez-la bien.
- Lorsque vous travaillez sur un terrain glissant, assurez-vous de vous tourner vers le haut.
- Soyez particulièrement vigilant lorsque vous sciez du bois éclaté. Des éclats de bois peuvent être déchiquetés par la chaîne de sciage et augmenter le risque de dommages corporels!
- Des corps étrangers, par exemple des clous, des vis, des pièces de métal, du sable, etc., peuvent accélérer l'usure du guide-chaîne et de la chaîne de sciage.
- Une chaîne de sciage émoussée peut entraîner une surchauffe du moteur et l'endommager.
- Retirez toujours la batterie lorsque vous vérifiez la tension de la chaîne, que ce soit pour la tendre, monter la chaîne de sciage ou corriger des anomalies! Retirez également la batterie si vous n'utilisez pas provisoirement l'outil.

Consignes de sécurité concernant la batterie et le chargeur

Nous avons consacré beaucoup de temps à la conception de chaque bloc-piles afin de nous assurer de vous fournir des batteries qui peuvent être utilisées sans danger, sont robustes et ont une énergie volumique élevée. Les cellules des batteries sont dotées d'un large éventail de dispositifs de sécurité. Chaque cellule individuelle est initialement formatée et ses courbes électriques caractéristiques sont enregistrées. Ces données sont ensuite utilisées exclusivement pour pouvoir assembler les meilleurs blocs-piles possibles.

Malgré toutes ces mesures de précaution, il faut toujours faire preuve de prudence lors de la manipulation de batteries. Pour utiliser sans danger les batteries, les points suivants doivent être observés en permanence. L'utilisation sans danger peut uniquement être garantie si les cellules sont intactes. Toute manipulation inappropriée d'un bloc-piles peut endommager les cellules.

IMPORTANT! Les analyses confirment que la mauvaise utilisation de batteries à haut rendement et un entretien laissant à désirer sont les principaux facteurs responsables de dommages corporels et/ou matériels.

⚠ AVERTISSEMENT! Utiliser uniquement des batteries de rechange homologuées. Les autres types de batteries peuvent endommager la scie à élaguer et empêcher son bon fonctionnement, ce qui peut entraîner de graves dommages corporels.

⚠ AVERTISSEMENT! Ne pas utiliser un bloc-piles ou un chargeur endommagé ou modifié. Les batteries endommagées ou modifiées peuvent se comporter de manière imprévisible et être la cause d'un incendie, d'une explosion ou de dommages corporels.

Ne modifiez pas le chargeur ou le bloc-piles ou n'essayez pas de les réparer, sauf précisions contraires concernant leur utilisation ou leur entretien.

Faites réparer ou entretenir votre bloc-piles par un réparateur qualifié utilisant uniquement des pièces de rechange identiques. C'est à ce prix que la sécurité du bloc-piles sera préservée.

⚠ MISE EN GARDE! Pour réduire le risque de dommages corporels, charger le bloc-piles au lithium-ion iON+ 24V uniquement à l'aide du chargeur au lithium-ion iON+ 24V spécifiquement prévu à cet effet. Les autres types de chargeurs présentent des risques d'incendie et de dommages corporels et matériels. Ne brancher aucun bloc-piles sur le secteur ou l'allume-cigare d'une voiture. Le bloc-piles serait définitivement et irrémédiablement endommagé.


- **Évitez les environnements dangereux :** ne chargez pas le bloc-piles sous la pluie, sous la neige ou dans les endroits humides. N'utilisez pas le bloc-piles ou le chargeur lorsque l'atmosphère est explosive (vapeurs d'essence, poussière ou matières inflammables), des étincelles pouvant se produire lors de l'insertion ou du retrait du bloc-piles, ce qui pourrait provoquer un incendie.
- **Chargez dans un endroit bien ventilé :** ne bloquez pas les orifices de ventilation du chargeur. Dégagez le voisinage immédiat du chargeur pour qu'il soit bien ventilé. Interdisez de fumer et n'autorisez la présence d'aucune flamme nue à proximité d'un bloc-piles se chargeant. Le gaz dispersé dans l'atmosphère peut exploser.

REMARQUE : la zone de température de sécurité pour les batteries est comprise entre 5 °C et 40,5 °C. Ne chargez pas la batterie à l'extérieur lorsqu'il gèle, chargez-la à température ambiante.

- **Prenez soin du cordon du chargeur :** lorsque vous débranchez le chargeur, tirez sur la fiche dans la prise et non sur le cordon pour éviter d'endommager la fiche électrique et le cordon. Ne tirez jamais le chargeur par le cordon et ne tirez pas brusquement sur le cordon pour le retirer de la prise. Maintenez le cordon éloigné de la chaleur, de l'huile et des arêtes vives. Pendant l'utilisation du chargeur, assurez-vous que personne ne marche sur le cordon, ne trébuche dessus et qu'il ne peut être ni endommagé ni soumis à des tensions ou des pressions. N'utilisez pas le chargeur si sa fiche ou son cordon est endommagé. Remplacez immédiatement tout chargeur endommagé.
- **N'utilisez pas de rallonge électrique, à moins que cela soit absolument nécessaire :** l'utilisation d'une rallonge électrique mal adaptée, endommagée ou mal branchée présente des risques d'incendie et de secousse électrique. S'il s'avère nécessaire d'utiliser une rallonge électrique, branchez le chargeur dans une rallonge électrique de

calibre 16 ou plus gros, la fiche femelle correspondant à la fiche mâle sur le chargeur. Vérifiez que la rallonge électrique est en bon état.

- **Le chargeur XZ2600-0450 est prévu uniquement pour 100 - 240 VCA** : il doit être branché dans une prise appropriée.
- **Utilisez uniquement des accessoires recommandés** : l'utilisation d'un accessoire non recommandé ou vendu par le fabricant du bloc-piles ou du chargeur peut provoquer un incendie, une secousse électrique ou des dommages corporels.
- **Débranchez tout chargeur non utilisé** : assurez-vous de déconnecter le bloc-piles d'un chargeur débranché.

 **AVERTISSEMENT!** Pour réduire le risque de secousse électrique, toujours débrancher le chargeur avant d'effectuer un nettoyage ou un entretien. Ne pas laisser d'eau couler dans le chargeur. Pour réduire le risque de secousse électrique, utiliser un disjoncteur différentiel de fuite de terre (DDFT).

- **Ne brûlez pas ou n'incinerez pas le bloc-piles** : il peut exploser et provoquer des dommages corporels ou matériels. Des émanations et des substances toxiques se dégagent d'un bloc-piles qui brûle.
- **N'écrasez pas, ne faites pas tomber ou n'endommagez pas le bloc-piles** : n'utilisez pas le bloc-piles ou le chargeur s'il a reçu un coup brutal, s'il est tombé, s'il a été écrasé ou endommagé d'une façon ou d'une autre (c.-à-d., percé par un clou, frappé d'un coup de marteau, foulé au pied, etc.).
- **Ne démontez rien** : un remontage mal effectué peut présenter un risque important de secousse électrique, d'incendie ou d'exposition aux produits chimiques de la batterie. Si la batterie ou le chargeur sont endommagés, veuillez communiquer avec un revendeur Snow Joe® + Sun Joe® agréé ou appeler le service à la clientèle Snow Joe® + Sun Joe® au 1-866-SNOWJOE (1-866-766-9563) pour de l'aide.
- **Les produits chimiques des batteries peuvent occasionner de graves brûlures** : ne laissez jamais un bloc-piles endommagé entrer en contact avec la peau, les yeux ou la bouche. Si un bloc-piles endommagé laisse fuir des produits chimiques, utilisez des gants en caoutchouc ou en néoprène pour les éliminer sans danger. Si la peau est entrée en contact avec les fluides d'une batterie, lavez la zone affectée à l'eau et au savon et rincez au vinaigre. Si les yeux sont entrés en contact avec des produits chimiques de batterie, rincez immédiatement à grande eau pendant 20 minutes et consultez un médecin. Retirez les vêtements contaminés et jetez-les.
- **Ne provoquez pas de court-circuit** : un court-circuit se produira si un objet en métal relie les contacts positif et négatif du bloc-piles. Ne placez aucun bloc-piles près de tout ce qui peut provoquer un court-circuit, par exemple un trombone, une pièce de monnaie, une clé, une vis, un clou ou tout autre objet métallique. Un bloc-piles en court-circuit présente un risque d'incendie et peut blesser gravement.

- **Rangez le bloc-piles et son chargeur dans un endroit frais et sec** : ne les rangez pas dans un endroit où la température peut être supérieure à 40,5 °C, par exemple directement sous les rayons du soleil, à l'intérieur d'un véhicule ou dans un cabanon à structure métallique pendant l'été.

Renseignements sur la batterie

1. Le bloc-piles fourni avec votre scie à élaguer sans cordon n'est que partiellement chargé. Le bloc-piles doit être complètement chargé avant d'utiliser l'outil pour la première fois.
2. Pour un rendement optimal du bloc-piles, évitez d'attendre qu'il soit presque déchargé et chargez-le fréquemment.
3. Rangez le bloc-piles dans un endroit frais, idéalement à 25 °C et chargez au moins à 40 %.
4. Les batteries au lithium-ion s'usent naturellement avec le temps. Le bloc-piles doit être remplacé au plus tard lorsque sa capacité chute à 80 % de sa capacité d'origine, neuf. Les cellules affaiblies d'un bloc-piles usé ne peuvent plus produire la forte intensité exigée pour que votre scie à chaîne fonctionne normalement, ce qui présente un risque pour la sécurité.
5. Ne jetez pas de blocs-piles dans un feu nu, ce qui pourrait les faire exploser.
6. Ne mettez pas le feu au bloc-piles et ne l'exposez pas à une flamme.
7. Ne déchargez jamais complètement le bloc-piles. La décharge poussée d'une batterie endommagera ses cellules. Le rangement prolongé et la non-utilisation d'une batterie partiellement déchargée sont les causes les plus communes d'une décharge complète. Arrêtez votre travail dès que vous remarquez que la puissance de la batterie chute ou dès que le système de protection électronique se déclenche. Rangez le bloc-piles uniquement s'il est à charge complète.
8. Protégez la batterie et l'outil contre les surcharges. Les surcharges donneront rapidement lieu à une surchauffe et endommageront les cellules à l'intérieur du boîtier des batteries, même si cette surchauffe n'est pas visible de l'extérieur.
9. Évitez d'endommager la batterie et de la soumettre à des chocs. Remplacez immédiatement toute batterie qui est tombée d'une hauteur supérieure à un mètre ou qui a été soumise à des chocs violents, même si le boîtier du bloc-piles ne semble pas endommagé. Les cellules de batterie à l'intérieur de la batterie peuvent avoir été gravement endommagées. Dans ce cas, veuillez lire les renseignements sur l'élimination des déchets en ce qui concerne les batteries.
10. Si le bloc-piles souffre d'une surcharge ou d'une surchauffe, le coupe-circuit de protection intégré coupe le moteur de l'outil par mesure de sécurité.

IMPORTANT! N'appuyez plus sur la gâchette marche/arrêt si le coupe-circuit de protection a été activé. Ceci pourrait endommager le bloc-piles.

11. Utilisez uniquement des blocs-piles d'origine. L'utilisation d'autres batteries présente un risque d'incendie et pourrait provoquer des dommages corporels ou une explosion.

Renseignements sur le chargeur et le processus de charge












1. Veuillez vérifier les données marquées sur la plaque signalétique du chargeur de batterie. Assurez-vous de brancher le chargeur de batterie sur une source d'alimentation correspondant à la tension indiquée sur la plaque signalétique. Ne le branchez jamais à une tension de secteur différente.
2. Protégez le chargeur de batterie et son cordon pour éviter de les endommager. Maintenez le chargeur et son cordon éloignés de la chaleur, de l'huile et des arêtes vives. Faites réparer sans délai les cordons endommagés par un technicien qualifié chez un revendeur Snow Joe® + Sun Joe® agréé ou appelez le service à la clientèle Snow Joe® + Sun Joe® au 1-866-SNOWJOE (1-866-766-9563).
3. La fiche électrique doit correspondre à la prise. N'apportez aucune modification, quelle qu'elle soit, à la fiche. N'utilisez pas de fiche d'adaptation avec un chargeur mis à la terre. L'utilisation de fiches non modifiées et des prises correspondantes réduira le risque de secousse électrique.
4. Maintenez hors de portée des enfants le chargeur de batterie, le bloc-piles et l'outil sans cordon.
5. N'utilisez pas le chargeur de batterie qui est fourni pour charger d'autres outils sans cordon.
6. Le bloc-piles devient chaud après une utilisation prolongée. Laissez le bloc-piles se refroidir à la température ambiante avant de le brancher dans le chargeur pour le charger.
7. Ne chargez pas la batterie de façon excessive. Ne dépassez pas le temps maximal de charge. Ce temps de charge ne s'applique qu'à une batterie déchargée. Recharger fréquemment un bloc-piles chargé ou partiellement chargé provoquera une surcharge et endommagera les cellules. Ne laissez pas la batterie branchée dans le chargeur pendant plusieurs jours consécutifs.
8. N'utilisez ou ne chargez jamais la batterie si vous soupçonnez qu'il y a plus de 12 mois qu'elle a été chargée pour la dernière fois. Il y a une forte probabilité pour que la batterie soit déjà dangereusement endommagée (décharge poussée).
9. Si vous chargez une batterie à une température inférieure à 5 °C, vous endommagez les produits chimiques des cellules, ce qui peut provoquer un incendie.
10. N'utilisez pas une batterie qui a été exposée à la chaleur pendant sa charge, car les cellules de batterie peuvent avoir été dangereusement endommagées.
11. N'utilisez pas une batterie qui s'est bombée ou qui a subi des déformations pendant le processus de charge, ni une batterie présentant d'autres symptômes atypiques (échappement de gaz, sifflement, fissures, etc.).
12. Ne déchargez jamais complètement le bloc-piles (le niveau maximal de décharge recommandé est de 80 %). La décharge complète d'un bloc-piles entraînera le vieillissement prématuré de ses cellules.

Protection contre les influences environnementales

1. Portez des vêtements de travail adaptés. Portez des lunettes de sécurité.
2. Protégez votre outil sans cordon et le chargeur de batterie contre l'humidité et la pluie. L'humidité et la pluie peuvent endommager dangereusement les cellules.
3. N'utilisez pas l'outil sans cordon ou le chargeur de batterie près de vapeurs ou de liquides inflammables.
4. Utilisez le chargeur de batterie et l'outil sans cordon uniquement en milieu sec et à une température ambiante comprise entre 5 °C et 40,5 °C.
5. Ne conservez pas le chargeur de batterie dans un endroit où la température est susceptible d'être supérieure à 40,5 °C. Ne laissez surtout pas le chargeur de batterie dans une voiture qui stationne au soleil.
6. Protégez la batterie contre les surcharges. Les surcharges et l'exposition directe aux rayons du soleil entraînent une surchauffe des cellules et les endommagent. Ne chargez ou n'utilisez jamais une batterie qui a surchauffé : au besoin, remplacez-la immédiatement.
7. Rangez le chargeur et votre outil sans cordon uniquement dans un endroit sec où la température ambiante est comprise entre 5 °C et 40 °C. Rangez votre bloc-piles au lithium-ion dans un endroit frais et sec à une température de 25 °C. Protégez le bloc-piles, le chargeur et l'outil sans cordon contre l'humidité et les rayons du soleil directs. Rangez uniquement la batterie lorsqu'elle est à charge complète (chargée au minimum à 40 %).
8. Veillez à ce que le bloc-piles au lithium-ion ne gèle pas. Les blocs-piles qui ont été entreposés à une température inférieure à 0 °C pendant plus de 60 minutes doivent être éliminés.
9. Lorsque vous manipulez des batteries, prenez garde aux décharges électrostatiques, car elles peuvent endommager le système de protection électronique et les cellules des batteries. Évitez de produire des charges électrostatiques et ne touchez jamais les pôles d'une batterie.

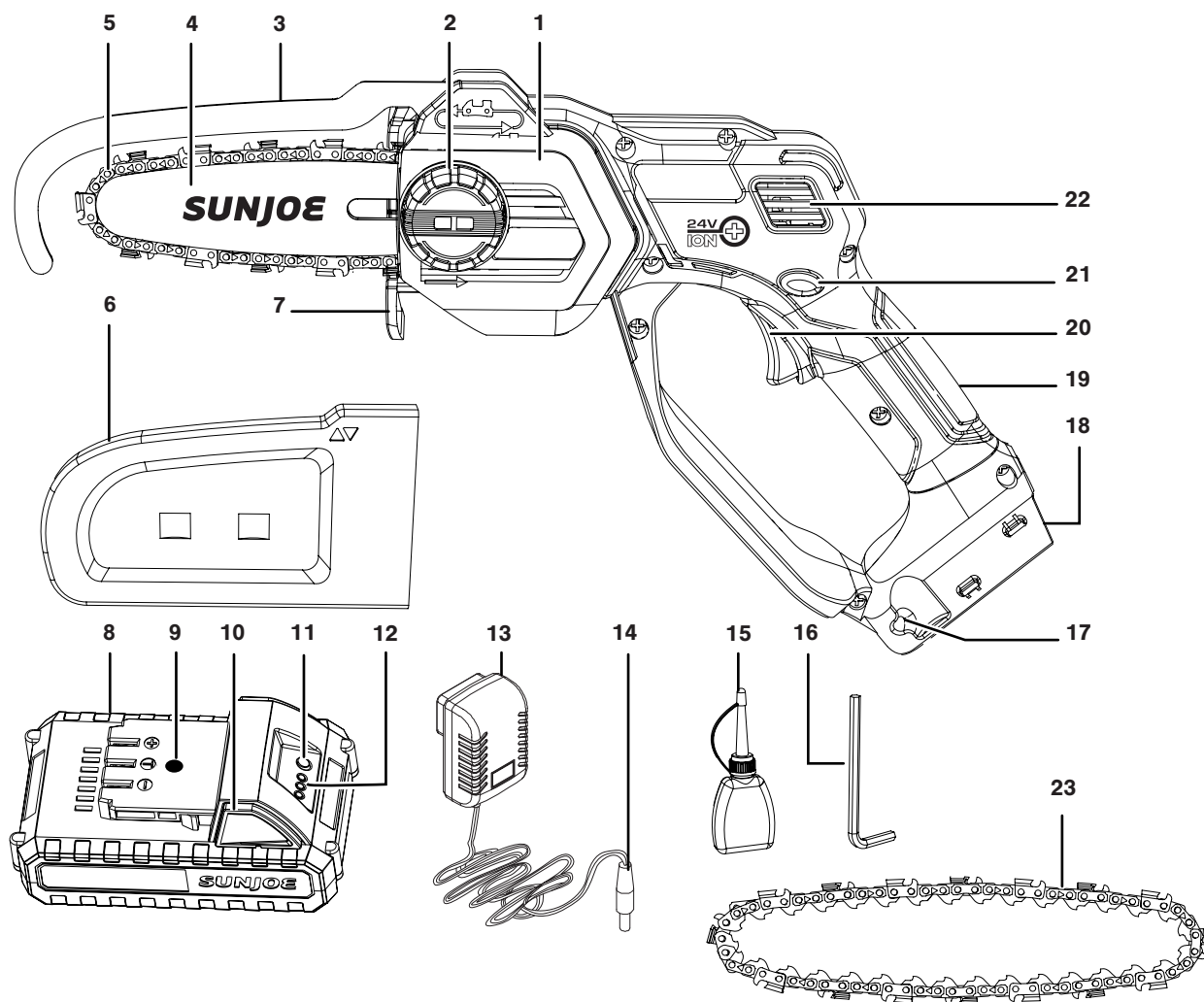
Symboles de sécurité

Le tableau suivant décrit et explique les symboles de sécurité pouvant être marqués sur cet outil. Avant d'essayer de procéder à son assemblage et de l'utiliser, lisez, comprenez et suivez toutes les instructions sur cet outil.

Symboles	Descriptions	Symboles	Descriptions
	LIRE LE OU LES MANUELS D'UTILISATION – Lire, comprendre et suivre toutes les instructions du ou des manuels avant d'essayer d'assembler et d'utiliser l'outil.		ALERTE DE SÉCURITÉ – Indique une précaution, un avertissement ou un danger.
 	PORTER DES LUNETTES DE PROTECTION ET DES PROTECTEURS D'OREILLE – Pour ne pas se blesser, porter des protecteurs d'oreille, des lunettes de sécurité et une protection de la tête.		MISE EN GARDE! Éviter de mettre en contact l'embout du guide-chaîne avec quoi que ce soit. Tout contact avec l'embout peut forcer le guide-chaîne à se déplacer brusquement vers le haut et vers l'arrière, ce qui peut entraîner de graves blessures.
	AVERTISSEMENT! Ne pas exposer l'outil à la pluie ou une forte humidité.		Maillons-gouges orientés dans le bon sens.
	Pour la protection des mains, porter des gants de sécurité lors de l'utilisation de l'outil.		Porter en permanence des chaussures de protection pour la protection des pieds contre toute chute d'objet accidentelle.
	La pièce mobile continuera de tourner plusieurs secondes après avoir éteint l'outil.		Utilisation uniquement à l'intérieur. Utiliser uniquement le chargeur de batterie à l'intérieur.

Apprenez à mieux connaître votre scie à élaguer sans cordon

Avant d'utiliser la scie à élaguer sans cordon, lisez attentivement le manuel d'utilisation et les consignes de sécurité. Pour vous familiariser avec l'emplacement des différents réglages et commandes, comparez l'illustration ci-dessous avec votre scie à élaguer sans cordon. Conservez ce manuel pour pouvoir le consulter dans le futur.



- | | | |
|---|--|------------------------------------|
| 1. Couvre-pignon/bout de chaîne | 9. Prise de charge | 16. Clé hexagonale |
| 2. Bouton de couvre-pignon/bout de chaîne | 10. (2) Boutons-poussoirs de verrouillage | 17. Encoche pour la clé hexagonale |
| 3. Couteau diviseur | 11. Bouton-poussoir pour témoins de charge de batterie | 18. Compartiment à batterie |
| 4. Guide-chaîne de 12,7 cm | 12. Témoin de charge de batterie | 19. Poignée rembourrée |
| 5. Chaîne de sciage de 12,7 cm | 13. Chargeur au lithium-ion iON+ 24V (XZ2600-0450) | 20. Gâchette marche/arrêt |
| 6. Coiffe protectrice de guide-chaîne | 14. Fiche du chargeur | 21. Bouton-poussoir de sécurité |
| 7. Semelle | 15. Huile de graissage | 22. Fentes de ventilation |
| 8. Batterie au lithium-ion iON+ 24V (24VBAT-LT) présentant la technologie exclusive EcoSharp® | | 23. Chaîne de sciage bonus |

Données techniques

Moteur	230 W
Tension max. de batterie*	24 VCC
Capacité de la batterie	2,5 Ah
Entrée du chargeur	100 – 240 VCA, 50 – 60 Hz, 0,4 A
Sortie du chargeur	26 VCC $\overline{\text{---}}$ 450 mA
Temps max. de charge	5 h 30 min
Longueur de chaîne/guide-chaîne	12,7 cm
Épaisseur de sciage max.	11,4 cm
Capacité du réservoir d'huile	20 ml
Poids net	1,9 kg

*Tension initiale à vide; grimpe à 24 volts une fois complètement chargée; la tension nominale sous charge typique est de 21,6 volts.

Déballage

Contenu de la caisse

- Scie à élaguer sans cordon avec chaîne et guide-chaîne préassemblés
- Coiffe protectrice de guide-chaîne (enfilée sur la chaîne et le guide-chaîne)
- Chaîne de sciage bonus
- Clé hexagonale (dans l'encoche prévue pour la ranger)
- Burette d'huile de graissage de 20 ml
- Batterie au lithium-ion iON+ 24V
- Chargeur de batterie au lithium-ion iON+ 24V
- Manuel et carte d'enregistrement

1. Retirez soigneusement la scie à élaguer sans cordon de la caisse et inspectez-la pour vérifier que tous les éléments énumérés ci-dessus sont fournis.
2. Inspectez soigneusement le contenu afin de vous assurer qu'aucun élément ne s'est cassé ou n'a été endommagé pendant l'expédition. Si vous constatez que des pièces manquent ou sont endommagées, NE PAS retourner la caisse au magasin. Veuillez appeler le service à la clientèle Snow Joe® + Sun Joe® au 1-866-SNOWJOE (1-866-766-9563).

REMARQUE : ne jetez pas la caisse d'expédition et l'emballage tant que vous n'êtes pas prêt à utiliser votre nouvelle scie à élaguer sans cordon. L'emballage est fabriqué dans des matériaux recyclables. Éliminez ces matériaux de façon appropriée et conformément aux réglementations locales.

IMPORTANT! Le matériel et son emballage ne sont pas des jouets. Ne laissez pas les enfants jouer avec les sacs en plastique, les feuilles métalliques ou les petites pièces. Ces éléments peuvent être avalés et risquent de provoquer une suffocation!





Utilisation du bloc-piles

L'outil est alimenté par une batterie au lithium-ion. Le bloc-piles est entièrement scellé et ne nécessite aucun entretien.

Témoin de charge de batterie

Le bloc-piles est équipé d'un bouton-poussoir pour vérifier le niveau de charge. Appuyez simplement sur le bouton-poussoir pour lire le niveau de charge de la batterie à l'aide des témoins de charge :

- Les témoins de charge sont tous les trois allumés : le niveau de charge de batterie est élevé.
- Deux témoins de charge sont allumés : le niveau de charge de batterie diminue. Arrêtez votre travail dès que possible.
- Un témoin de charge est allumé : la batterie est à plat. Arrêtez IMMÉDIATEMENT votre travail et chargez la batterie. Sinon, la longévité de la batterie s'en trouvera considérablement réduite.

Témoins	Indications
	Bouton de niveau de charge
	La batterie est à 30 % de sa capacité et nécessite d'être chargée
	La batterie est à 60 % de sa capacité et nécessite d'être chargée bientôt
	La batterie est à charge complète

REMARQUE : si le bouton de niveau de charge ne semble pas fonctionner, branchez la batterie dans le chargeur et chargez au besoin.

REMARQUE : immédiatement après avoir utilisé le bloc-piles, le bouton de niveau de charge peut afficher une charge plus faible que si la vérification avait eu lieu quelques minutes plus tard. Les cellules des batteries « récupèrent » une partie de leur charge après une période de repos.

Utilisation du chargeur

⚠ AVERTISSEMENT! Charger uniquement le bloc-piles au lithium-ion iON+ 24V à l'aide de son chargeur au lithium-ion iON+ 24V compatible. Tout autre type de batteries peut causer des dommages corporels et matériels.

Pour réduire le risque de secousse électrique, ne laissez pas d'eau couler dans la fiche du chargeur CA/CC.

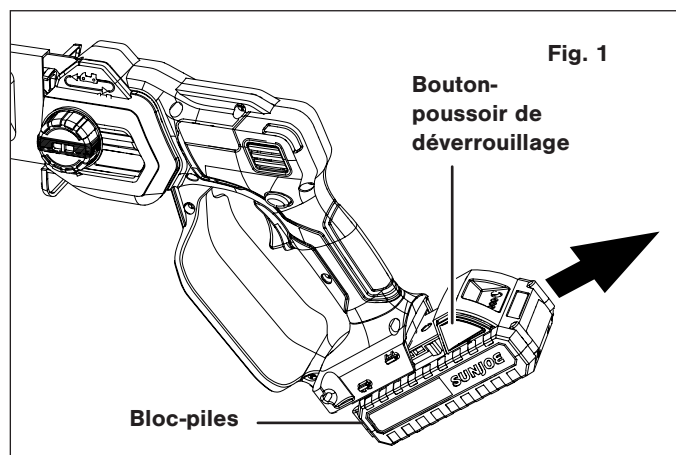
Quand charger la batterie au lithium-ion iON+ 24VBAT-LT

REMARQUE : le bloc-piles au lithium-ion iON+ 24VBAT-LT ne présente pas « d'effet mémoire » quand il est chargé après une simple décharge partielle. C'est pourquoi il n'est pas nécessaire d'épuiser le bloc-piles avant de le charger.

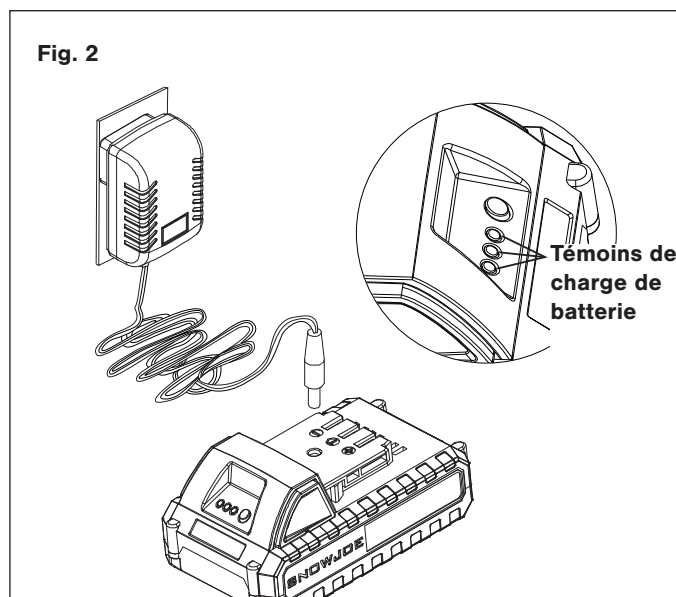
- Utilisez les témoins de charge pour déterminer quand charger votre bloc-piles au lithium-ion iON+ 24VBAT-LT.
- Vous pouvez « compléter » la charge de votre bloc-piles avant de démarrer un gros travail ou après une longue journée d'utilisation.

Comment charger la batterie

1. Appuyez sur les boutons-poussoirs de verrouillage de la batterie pour la sortir de l'outil en la tirant (Fig. 1).



2. Vérifiez que la tension de secteur est la même que celle marquée sur la plaque signalétique du chargeur de batterie. Branchez ensuite l'adaptateur de chargeur dans une prise de secteur appropriée. Pour commencer à charger, branchez la fiche du chargeur dans la prise de charge de la batterie (Fig. 2).



3. Il faut environ cinq heures pour charger la batterie. Les témoins de charge de batterie scintilleront et s'allumeront un par un pendant le processus de charge. Débranchez immédiatement l'adaptateur de charge lorsque les témoins de charge sont tous les trois allumés.

⚠ MISE EN GARDE! RISQUE D'INCENDIE. Pour débrancher le chargeur de la batterie, s'assurer de débrancher d'abord le chargeur de la prise, puis débrancher le cordon du chargeur de la batterie.

⚠ AVERTISSEMENT! Ce chargeur ne s'éteint pas automatiquement lorsque la batterie est à charge complète. Veiller à ne pas laisser la batterie branchée dans le chargeur. Éteindre le chargeur ou le débrancher du secteur une fois que la batterie est à charge complète.

4. Recharger la batterie au moment opportun prolongera sa durée de vie. Vous devez recharger le bloc-piles lorsque vous remarquez une chute de puissance de l'outil.

IMPORTANT! Ne laissez jamais le bloc-piles se décharger complètement, car ceci l'endommagerait irrémédiablement.

Préparation du travail

Vérification de l'outil

⚠ AVERTISSEMENT! Avant d'effectuer des vérifications, des réglages, des réparations ou un entretien quelconques sur l'outil, s'assurer que la batterie n'est pas insérée dans son compartiment.

Avant de commencer votre travail, veuillez :

- vérifier que toutes les vis sur l'outil et sur le guide-chaîne sont bien serrées;
- vérifier que la chaîne est correctement tendue, affûtée et qu'elle ne présente aucun signe d'endommagement;
- vérifier que la poignée rembourrée et les dispositifs de protection sont propres et secs, correctement montés et solidement attachés à l'outil;
- vérifier que la gâchette marche/arrêt et le bouton-poussoir de sécurité se manœuvrent librement sans forcer et qu'ils retournent automatiquement et rapidement à leur position initiale;
- vérifier que la gâchette marche/arrêt reste verrouillée tant qu'on n'appuie pas sur le bouton-poussoir de sécurité;
- s'assurer que les fentes de ventilation ne sont pas obstruées par de la sciure ou des débris;

Période de rodage pour les chaînes neuves

Pour une sécurité d'utilisation supérieure, il est recommandé de passer en revue les conseils de rodage ci-dessous à chaque fois qu'une chaîne neuve est posée.

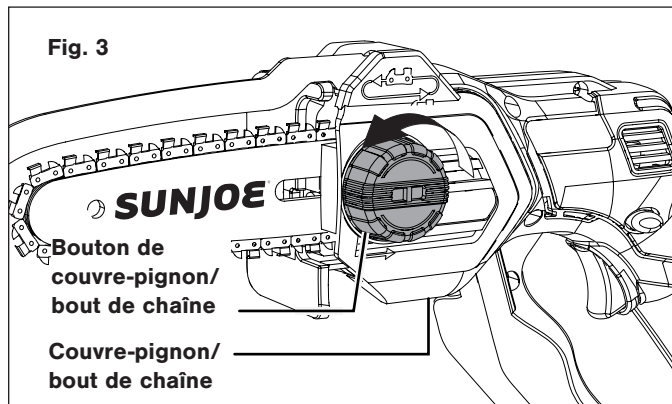
1. Retirez la batterie et réglez la tension de la chaîne.

2. Insérez la batterie, allumez la scie à élaguer et laissez tourner le moteur au ralenti pendant environ cinq minutes.
3. Retirez la batterie et vérifiez à nouveau la tension de la chaîne. Au besoin, tendez à nouveau la chaîne.
4. Effectuez uniquement des sciages faciles pendant environ 30 minutes. Assurez-vous toujours que la chaîne de sciage est bien lubrifiée! Utilisez la scie à élaguer pour des sciages plus difficiles et plus profonds uniquement après la période de rodage.

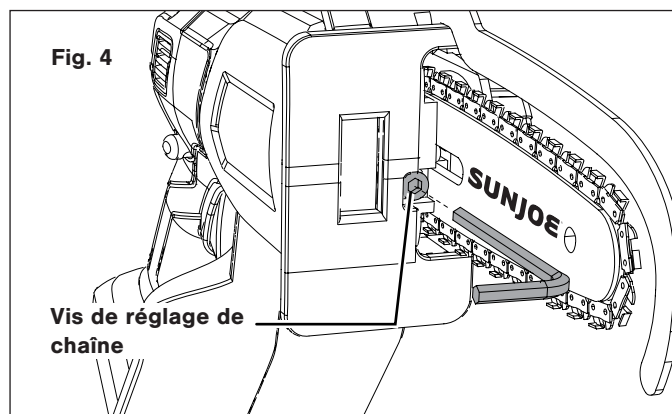
Réglage de la tension de chaîne

⚠ AVERTISSEMENT! Porter des gants de protection pour la manipulation du guide-chaîne et de la chaîne.

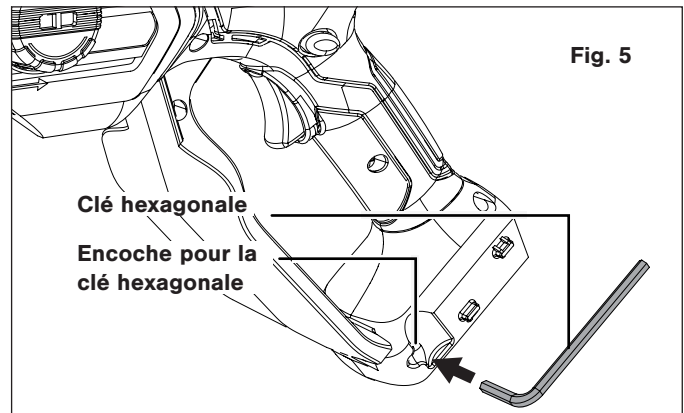
1. Assurez-vous que la scie à élaguer est éteinte et la batterie retirée. Desserrez un peu le couvre-pignon/bout de chaîne en tournant le bouton de couvre-pignon/bout de chaîne dans le sens antihoraire (Fig. 3).



2. Utilisez la clé hexagonale pour tourner la vis de réglage de chaîne, dans le sens horaire pour la serrer, dans le sens antihoraire pour la desserrer. Une chaîne froide sera correctement tendue s'il n'y a pas de jeu sur la face inférieure du guide-chaîne, si la chaîne repose bien sur le guide-chaîne et si on peut toujours la faire tourner à la main sans qu'elle gripe (Fig 4).



REMARQUE : lorsque vous ne l'utilisez pas, la clé hexagonale peut être rangée dans l'encoche prévue à cet effet sur la partie inférieure de la scie à élaguer (Fig. 5).



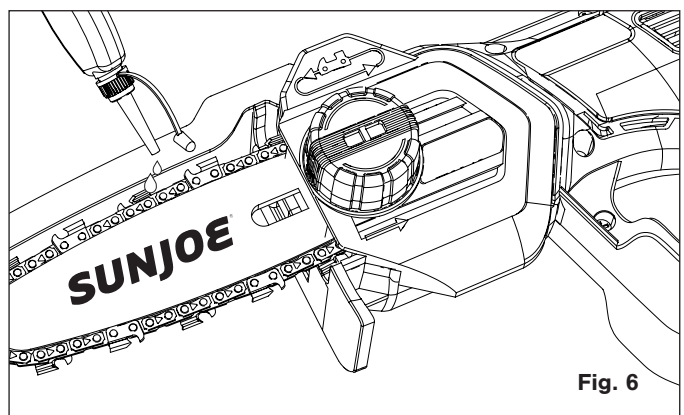
3. Resserrez le bouton de couvre-pignon/bout de chaîne. À l'aide d'un tournevis, faites tourner la chaîne le long du guide pour vérifier qu'elle se déplace en douceur.

Lubrifiant de chaîne

IMPORTANT! Utilisez uniquement une huile de bonne qualité pour guide-chaîne et chaînes conçue spécifiquement pour les scies à chaîne et pour assurer la lubrification optimale des parties actives. N'utilisez pas d'huile contenant des impuretés.

IMPORTANT! L'huile de graissage de chaîne est biodégradable. L'utilisation d'huile minérale ou d'huile de moteur peut avoir de graves conséquences sur l'environnement. Il est essentiel que vous utilisiez de l'huile de bonne qualité pour lubrifier efficacement les parties actives. L'huile usagée ou de qualité médiocre ne garantit pas une bonne lubrification et réduit la durée de vie de la chaîne et du guide-chaîne.

Avant de lubrifier la scie à élaguer, nettoyez le guide-chaîne et la chaîne de sciage à l'aide d'une brosse souple. Déposez les gouttes d'huile entre la chaîne et le guide-chaîne. Insérez la batterie et allumez la scie à élaguer. L'huile se répartira uniformément sur la chaîne. Pour un sciage optimal, lubrifiez la scie toutes les 30 minutes d'utilisation. Lorsque vous remisez l'outil pendant une longue période (3 mois ou plus), assurez-vous que la chaîne est légèrement lubrifiée; ceci empêchera la chaîne et le pignon du guide-chaîne de rouiller (Fig. 6).



Utilisation

Démarrage et arrêt

⚠ MISE EN GARDE! Le démarrage, l'arrêt et le redémarrage à répétition d'un moteur électrique et à quelques secondes d'intervalle peuvent dégager énormément de chaleur et endommager le moteur. Pour protéger la durée de vie de votre scie à élaguer sans cordon, patienter toujours au moins cinq secondes avant de redémarrer la scie après l'avoir arrêtée.

⚠ AVERTISSEMENT! Lors du démarrage du moteur, s'assurer que rien n'est en contact avec la chaîne.

⚠ AVERTISSEMENT! Tenir les mains éloignées de la chaîne. Maintenir les mains sur la poignée. Ne pas s'arc-bouter.

En saisissant fermement l'outil, vous le contrôlerez mieux. Tenez fermement la scie d'une main en enroulant les doigts et le pouce autour de la poignée. Vous maintiendrez le contrôle de la scie en la saisissant fermement et en vous plaçant dans une position appropriée. Ne vous laissez pas entraîner par la scie lorsqu'elle est en marche.

⚠ AVERTISSEMENT! Ne pas utiliser la scie à élaguer sans cordon dans un arbre, sur une échelle ou sur un échafaudage. L'utilisation de l'outil dans de telles conditions est extrêmement dangereuse.

⚠ MISE EN GARDE! La chaîne continuera de tourner plusieurs secondes après avoir éteint l'outil.

N'utilisez pas la scie à élaguer par forte humidité. Faites preuve d'extrême précaution lorsque vous sciez des petits buissons, des arbustes ou des branches sous tension : la matière effilée et tendue peut se prendre dans la scie et se retourner sur vous en coup de fouet en vous faisant perdre l'équilibre ou sauter en arrière.

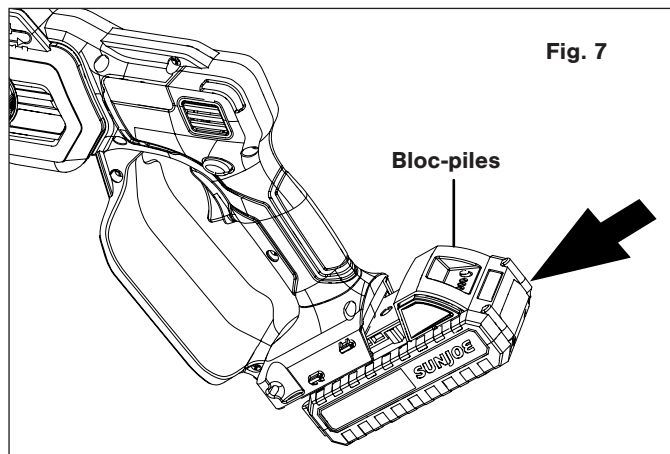
N'utilisez pas la scie pour tailler de la vigne et/ou de petits fourrés.

⚠ AVERTISSEMENT! Ne pas laisser votre familiarité avec l'utilisation de ce type d'outil vous empêcher de prendre toutes les précautions nécessaires. Ne pas oublier qu'une fraction de seconde d'inattention suffit pour se blesser gravement.

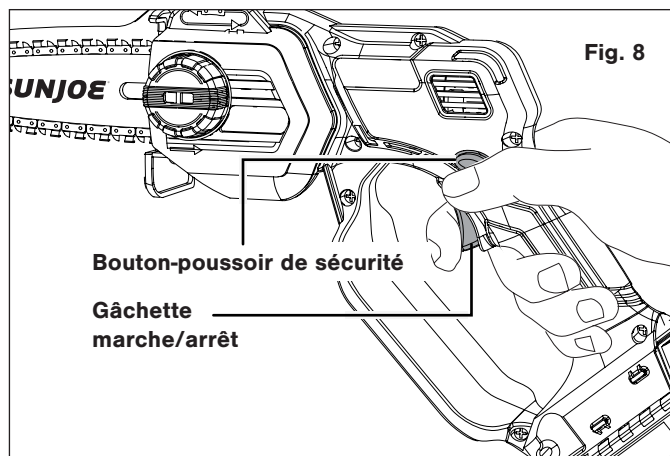
⚠ AVERTISSEMENT! Ne pas scier des branches à proximité de lignes d'électricité.

⚠ AVERTISSEMENT! La lubrification insuffisante de la chaîne endommagera le guide-chaîne et la chaîne. Utiliser uniquement une huile de bonne qualité pour guide-chaîne et chaînes spécifiquement conçue pour les scies à chaîne.

1. Avant chaque séance d'utilisation de la scie, pointez la liste de contrôle quotidienne (voir page 69).
2. Insérez le bloc-piles dans le compartiment à batterie. Poussez-le afin de vous assurer qu'il est bien en place et verrouillé (Fig. 7).



3. Pour mettre en marche l'outil, tenez fermement la poignée rembourrée de la scie à élaguer. Appuyez sur le bouton-poussoir de sécurité, puis pressez la gâchette marche/arrêt. Une fois que la scie à élaguer a démarré, vous pouvez relâcher le bouton-poussoir de sécurité (Fig. 8).



4. Pour éteindre l'outil, relâchez la gâchette marche/arrêt.

REMARQUE : ne pressez pas la gâchette marche/arrêt tant que vous n'êtes pas prêt à scier.

Conseils d'utilisation

⚠ AVERTISSEMENT! Pour votre sécurité et celle des autres :

1. N'utilisez pas l'outil sans lire attentivement les instructions. Familiarisez-vous bien avec les commandes et l'utilisation appropriée de l'outil. Apprenez comment arrêter rapidement l'outil.
2. Gardez à l'esprit que l'utilisateur est responsable des accidents corporels ou matériels pouvant se produire.
3. Pour utiliser l'outil, portez toujours des vêtements adaptés. Portez des gants antivibrations et d'autres équipements de protection individuelle.

Toutefois, toutes les précautions à prendre mentionnées ci-dessus ne suffisent pas pour prévenir certains risques, par exemple le syndrome de Raynaud ou le syndrome

du canal carpien. C'est pourquoi il est recommandé que les personnes qui utilisent cet outil pendant de longues périodes se fassent examiner régulièrement les mains et les doigts. Dans le cas où l'un des syndromes mentionnés ci-dessus viendrait à se manifester, veuillez consulter immédiatement un médecin.

4. Travaillez à la lumière du jour ou sous un bon éclairage artificiel.
5. Faites preuve d'une extrême prudence lors de l'utilisation de la scie à proximité de clôtures en métal.
6. Veillez à ce que des corps étrangers ou des débris volant sous l'effet du mouvement de la chaîne ne viennent pas heurter le guide-chaîne.
7. Ne cherchez jamais à passer une main au-dessus du couteau diviseur ou sous la semelle. Vous risquez de vous blesser!
8. Ne démarrez pas l'outil si la chaîne de sciage est en contact avec un objet quelconque, si elle est dans ce qui doit être scié ou si elle peut heurter quoi que ce soit. Cet outil peut provoquer des blessures graves.
9. Avant de la scier, attachez toute pièce branlante. Retirez tous les corps étrangers, par exemple les clous, vis, etc.
10. Soyez vigilant lorsque vous sciez une branche qui est sous tension et peut se retourner sur vous en coup de fouet. Lorsque la tension des fibres de bois se relâche, la branche, comme sous l'effet d'un ressort, peut frapper l'utilisateur et/ou lui faire perdre le contrôle de la scie.
11. Faites preuve d'une extrême prudence lorsque vous taillez des haies ou de jeunes arbres. Le branchage effilé peut attraper la chaîne de sciage et se relâcher brusquement en faisant perdre l'équilibre à l'utilisateur.
12. Lorsque la chaîne de sciage tourne, placez la semelle sur la surface de ce que vous devez scier et laissez la scie faire son travail. Appliquez une légère pression sur la scie.
REMARQUE : la semelle permet de mieux stabiliser la scie et de scier sans à-coups et régulièrement. Elle permet également d'amortir considérablement les vibrations de la scie. En outre, la semelle agit comme un point d'articulation pour les sciages profonds, car elle rehausse l'extrémité arrière de la scie. En utilisant la semelle comme un point de pivotement, vous pouvez pénétrer plus profondément dans le matériau à scier tout en exerçant un contrôle précis.
13. Arrêtez le moteur et retirez la batterie de son compartiment :
 - toutes les fois que l'outil est laissé sans surveillance;
 - avant de nettoyer, vérifier l'outil ou intervenir dessus;
 - après avoir heurté un corps étranger. Inspectez l'outil pour vérifier s'il a été endommagé et réparez-le avant de le redémarrer;
 - si l'outil commence à vibrer anormalement, recherchez immédiatement la cause des vibrations et faites inspecter l'outil par un revendeur Snow Joe® + Sun Joe® agréé ou appelez le service à la clientèle Snow Joe® + Sun Joe® au 1-866-SNOWJOE (1-866-766-9563) pour de l'aide;
 - si l'outil n'est pas utilisé.

IMPORTANT! N'oubliez jamais qu'une scie à élaguer mal utilisée peut déranger certaines personnes et avoir de graves répercussions sur l'environnement.

Pour respecter les personnes et l'environnement :

- Évitez d'utiliser l'outil dans des lieux ou à des heures de la journée où d'autres personnes pourraient être dérangées.
- Conformez-vous scrupuleusement aux réglementations et dispositions locales pour l'élimination des déchets après vos travaux de sciage.
- Conformez-vous scrupuleusement aux réglementations et dispositions locales pour l'élimination des huiles, des pièces endommagées ou de tout ce qui pourrait perturber l'environnement.
- Une certaine quantité d'huile de graissage pour chaînes se répand dans la nature lorsque l'outil tourne; c'est pourquoi il faut utiliser uniquement des huiles biodégradables spécifiquement conçues pour ce type d'utilisation.
- Pour éviter tout risque d'incendie, ne laissez pas l'outil sur des feuilles ou de l'herbe sèche quand le moteur est encore chaud.

⚠ AVERTISSEMENT! L'utilisation de cet outil nécessite une formation spécifique.

Vérifications à effectuer pendant l'utilisation de l'outil

• Vérification de la tension de la chaîne

La chaîne a tendance à s'étirer progressivement lorsque vous utilisez l'outil et il vous faut donc vérifier fréquemment sa tension.

IMPORTANT! Pendant la première période d'utilisation (ou après avoir remplacé la chaîne), la chaîne se met en place et sa tension doit être vérifiée plus fréquemment.

⚠ AVERTISSEMENT! Ne jamais utiliser l'outil lorsque la chaîne est mal tendue. Ceci peut être dangereux si la chaîne glisse hors de son guide.

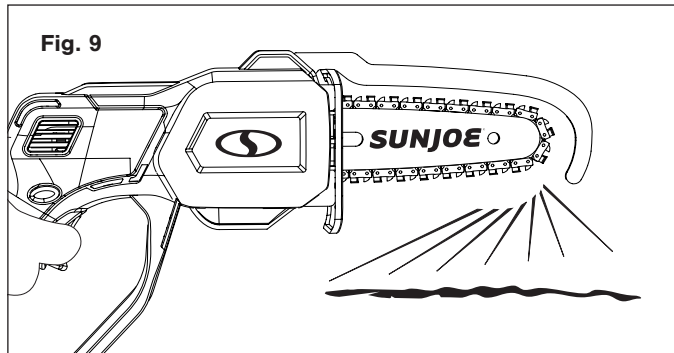
Pour régler la tension de la chaîne, suivez les instructions dans « Réglage de la tension de chaîne » en page 62.

• Vérification du niveau d'huile

IMPORTANT! N'utilisez jamais l'outil sans lubrification suffisante! Assurez-vous de lubrifier la zone de coupe et autour avant et après chaque utilisation, et toutes les 30 minutes pendant une séance de sciage. Pour obtenir de meilleurs résultats, utilisez uniquement une huile de bonne qualité pour guide-chaîne et chaînes conçue spécifiquement pour les scies à chaîne. Après chaque lubrification de la chaîne, vérifiez si elle est bien lubrifiée, conformément à ce qui est décrit ci-dessous

⚠ AVERTISSEMENT! Avant de vérifier le niveau d'huile, s'assurer que le guide-chaîne et la chaîne sont en place.

Démarrez le moteur et vérifiez si la chaîne est bien lubrifiée comme l'indique la Fig. 9 ci-dessous.



Procédures élémentaires de sciage

⚠ AVERTISSEMENT! Cet outil est conçu pour scier de petites branches et du branchage d'un diamètre maximal de 11,4 cm, ce qui est recommandé, et en tout cas d'un diamètre toujours inférieur à 11,4 cm, en fonction du type de bois. Avant d'entamer des travaux de sciage majeurs, entraînez-vous à scier de petites branches en utilisant la technique suivante pour mieux « sentir » la scie.

- Tenez fermement la poignée rembourrée de la scie.
- Avant d'effectuer une entaille, pressez la gâchette et laissez la chaîne accélérer jusqu'à ce qu'elle atteigne sa vitesse maximale.
- Laissez la chaîne tourner pendant toute la durée du sciage; maintenez une vitesse stabilisée.
- Laissez la chaîne scier pour vous; exercez uniquement une légère pression vers le bas. Si vous forcez le sciage, le guide-chaîne, la chaîne ou même l'outil entier peuvent être endommagés.
- À la fin du sciage, n'exercez aucune pression sur la scie.
- Pour éviter de tomber, sciez en ayant toujours les deux pieds sur un sol stable.
- Ne sciez pas plus haut qu'à hauteur de poitrine, car il est difficile de contrôler les forces engendrées par l'effet de rebond en tenant la scie en hauteur.

Entretien

Pour toutes les opérations d'entretien non traitées dans ce manuel, veuillez communiquer avec un revendeur Snow Joe® + Sun Joe® agréé ou appeler le service à la clientèle Snow Joe® + Sun Joe® au 1-866-SNOWJOE (1-866-766-9563). Toute intervention effectuée par un centre d'entretien et de réparation non agréé ou par du personnel non qualifié annulera complètement la garantie.

⚠ AVERTISSEMENT! Pour votre sécurité et celle des autres :

- Il est essentiel d'entretenir correctement l'outil pour qu'il conserve son efficacité et sa sécurité d'origine au fil du temps.
- Maintenir serrés les écrous, les boulons et les vis pour s'assurer que le matériel est en bon état de marche et peut être utilisé sans danger.
- Ne jamais utiliser l'outil si des pièces sont usées ou endommagées. Les pièces endommagées doivent être remplacées et jamais réparées.
- Utiliser uniquement des pièces de rechange d'origine Snow Joe® + Sun Joe®. Les pièces qui ne sont pas de la même qualité peuvent gravement endommager le matériel, compromettre la sécurité et annuler la garantie.

⚠ AVERTISSEMENT! Toujours retirer la batterie avant d'effectuer un réglage quelconque, un entretien ou des réparations sur votre scie à élaguer sans cordon.

- Portez des gants de protection lorsque vous manipulez le guide-chaîne ou la chaîne.
- Laissez le guide-chaîne dans sa coiffe protectrice, sauf lorsque vous travaillez sur le guide-chaîne ou sur la chaîne.
- N'éliminez jamais d'huile ou d'autres matières polluantes dans les endroits où cela n'est pas autorisé.

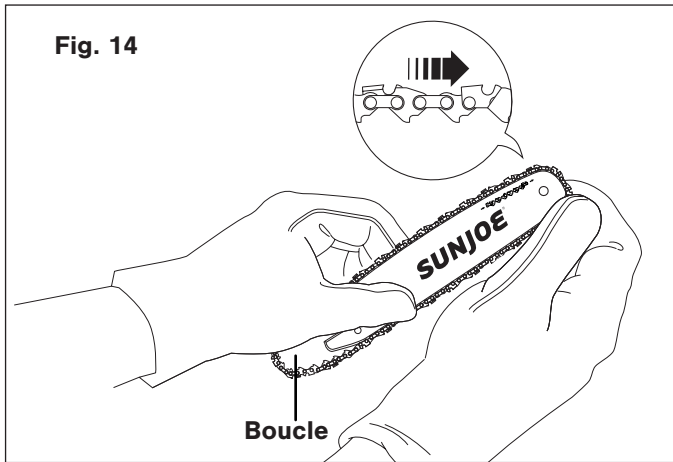
Refroidissement du moteur

Pour empêcher que le moteur surchauffe et soit endommagé, maintenez toujours les fentes de ventilation propres et exemptes de sciure et de débris.

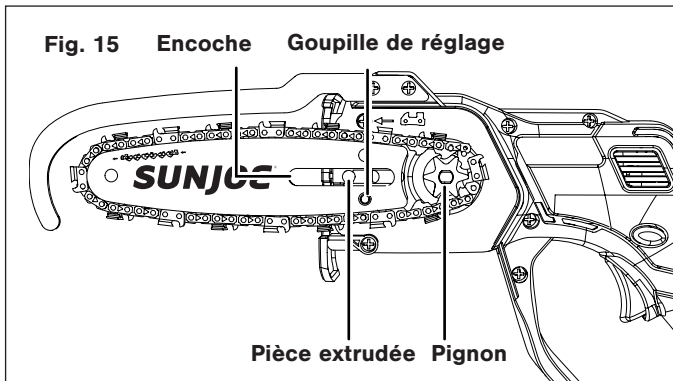
Nettoyage général

Pour un rendement optimal, il est recommandé de nettoyer la scie à élaguer immédiatement après chaque utilisation. Pour retirer la saleté et les éclats de bois, utilisez un chiffon, un pinceau ou une brosse. Maintenez toujours les fentes de ventilation propres et sans obstructions. Nettoyez régulièrement le caisson de la scie à élaguer à l'aide d'un chiffon mouillé et d'un peu de détergent doux. N'utilisez ni agents nettoyants ni solvants. Assurez-vous qu'il n'y ait ni eau ni autre liquide pénétrant à l'intérieur de l'outil électrique sans cordon.

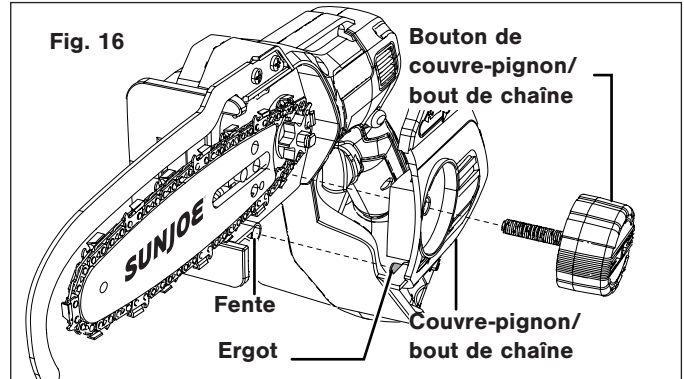
REMARQUE : vérifiez bien le sens de la chaîne. Si la chaîne est montée à l'envers, la scie vibrera anormalement et ne sciera pas.



- Maintenez la chaîne en position sur le guide-chaîne et enroulez la boucle autour du pignon. Placez le guide-chaîne de manière à ce qu'il repose contre la surface de fixation, que la pièce extrudée sur la surface de fixation soit dans la longue fente du guide-chaîne et que la goupille de réglage soit dans le trou de la goupille de tension de chaîne (Fig. 15).



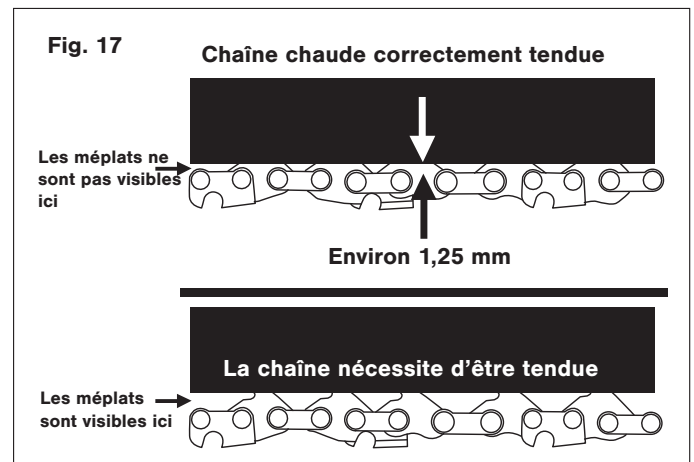
- Tout en maintenant le guide-chaîne et la chaîne contre la surface de fixation, réglez au besoin la tension de la chaîne en tournant la vis de tendeur de chaîne à l'aide de la clé hexagonale fournie. Tournez la vis de tendeur de chaîne dans le sens horaire pour serrer la chaîne, ou dans le sens antihoraire pour la desserrer (Fig. 4).
- Remplacez le couvre-pignon/bout de chaîne en insérant d'abord l'ergot situé sur la partie inférieure dans la fente prévue à cet effet et positionnez le couvre-pignon/bout de chaîne sur l'embout du guide-chaîne. Serrez le bouton de couvre-pignon/bout de chaîne; laissez le guide-chaîne suffisamment desserré pour qu'il se déplace légèrement lors du réglage de la tension (Fig. 16).



Tension de chaîne

Lorsque la chaîne est froide, vérifiez sa tension avant d'utiliser la scie. La tension d'une chaîne froide est appropriée lorsqu'il n'y a aucun jeu sur la face inférieure du guide-chaîne, lorsque la chaîne repose bien sur le guide, mais lorsqu'il est toujours possible de la faire tourner à la main sans qu'elle se grippe.

Lorsque la chaîne est utilisée normalement, sa température augmente. Les maillons d'entraînement d'une chaîne qui est chaude et correctement tendue pendent en ressortant d'environ 1,25 mm de la rainure du guide-chaîne (Fig. 17). Sachez qu'une chaîne bien tendue, lorsqu'elle est chaude, peut se tendre excessivement en se refroidissant. Vérifiez la « tension à froid » avant l'utilisation suivante. La chaîne doit être de nouveau tendue toutes les fois que les méplats sur les maillons d'entraînement pendent en ressortant de la rainure du guide-chaîne (Fig. 17).



Affutage de la chaîne

⚠ AVERTISSEMENT! Pour être certain que la scie fonctionne efficacement et sans danger, il est essentiel que les organes de sciage soient bien affûtés. **Il est vivement recommandé de remplacer la chaîne une fois qu'elle ne peut plus scier franchement et sans danger.** Il est toutefois possible d'affûter la chaîne existante si l'affûtage est effectué soigneusement. Tout travail sur la chaîne et le guide-chaîne nécessite de l'expérience et des outils spéciaux. Par mesure de

sécurité, nous vous recommandons de communiquer avec un revendeur Snow Joe® + Sun Joe® agréé ou appeler le service à la clientèle Snow Joe® + Sun Joe® au 1-866-SNOWJOE (1-866-766-9563).

L'affutage est nécessaire lorsque :

- la sciure ressemble à de la poussière;
- il devient de plus en plus difficile de scier;
- l'entaille n'est pas franche;
- les vibrations augmentent.

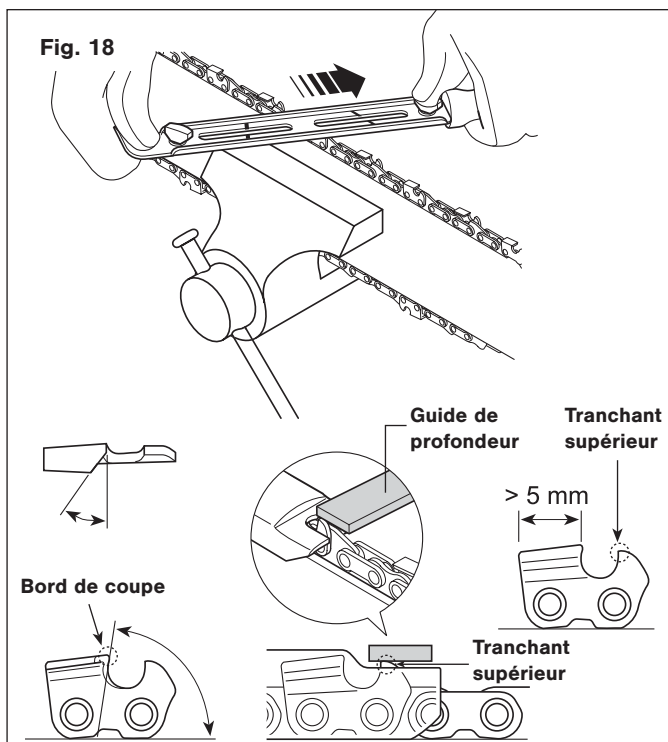
Le centre d'entretien et de réparation agréé affutera la chaîne en utilisant les bons outils pour que le minimum de pièces soit déposé et que tous les bords de coupe soient affutés uniformément.

Si vous affutez vous-même la chaîne, nous vous recommandons d'acheter l'affuteuse pour scies à chaîne Sun Joe® 24V-CSSHRP-LTE qui peut être alimentée par la même batterie iON+ 24V que cette scie à élaguer sans cordon. Visitez le site sunjoe.com ou appelez le service à la clientèle Snow Joe® + Sun Joe® au 1-866-SNOWJOE (1-866-766-9563).

Sinon, utilisez des limes spéciales à section ronde ayant le diamètre correspondant au type de chaîne (voir « Tableau d'entretien de la chaîne », page 70). Vous devez avoir des compétences et une expérience suffisantes pour éviter d'endommager les bords de coupe.

Affutez la chaîne comme suit (Fig. 18) :

- Attachez solidement le guide-chaîne dans un étau adapté, la chaîne étant montée dessus.
- Tendez la chaîne si elle est lâche.
- Montez la lime dans le guide-chaîne et insérez-la ensuite dans la gouge en formant un angle constant avec le bord de coupe.
- Limez en effectuant plusieurs fois un mouvement vers l'avant et répétez l'opération sur tous les bords de coupe faisant face dans la même direction (droite ou gauche).
- Utilisez un tournevis pour faire avancer la chaîne.
- Retournez le guide-chaîne dans l'étau et répétez l'opération pour tous les autres bords de coupe.
- Vérifiez que le tranchant supérieur ne ressort pas davantage par rapport au niveau du guide de profondeur et limez tout ce qui dépasse à l'aide d'une lime plate en affutant les bords de coupe (Fig. 18).
- Après l'affutage, retirez toutes les traces de limage et de poussière et lubrifiez la chaîne dans un bain d'huile. Remplacez la chaîne toutes les fois que :
 - la longueur des bords de coupe se réduit à 5 mm ou moins;
 - il y a trop de jeu entre les maillons et les rivets.



Entretien du guide-chaîne

Lorsque le guide-chaîne présente des signes d'usure, retournez-le sur la scie pour répartir l'usure et prolonger sa durée de vie. L'amincissement ou la formation de bavures sur les rainures du guide-chaîne est une usure normale. Vous devez limer ce type de défauts dès son apparition.

Remplacez le guide-chaîne lorsqu'il présente les défauts suivants :

- usure intérieure des rainures du guide-chaîne laissant la chaîne se déporter sur les côtés;
- guide-chaîne voilé;
- rainures fissurées ou cassées;
- rainures écartées.

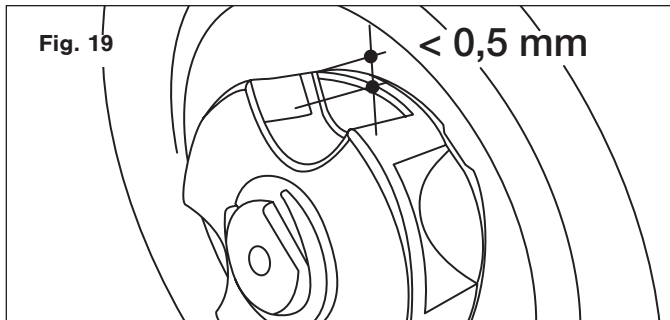
Retournez la scie, vérifiez le dessous du guide-chaîne et assurez-vous que les trous de lubrification et la rainure de chaîne sont exempts de toute impureté.

Vous pouvez acheter des pièces de rechange pour votre scie à élaguer sans cordon Sun Joe® 24V-HCSEC-LT en passant votre commande en ligne sur le site sunjoe.com, ou par téléphone en appelant le service à la clientèle Snow Joe® + Sun Joe® au 1-866-SNOWJOE (1-866-766-9563).

Pignon d'entraînement

Vérifiez régulièrement l'état du pignon et remplacez-le quand il est usé sur plus de 0,5 mm (Fig. 19).

Ne montez pas une chaîne neuve lorsque le pignon est usé ou vice-versa.



Liste de contrôle quotidienne, nettoyage et remisage

Liste de contrôle quotidienne

Pour maintenir le rendement optimal de votre scie à élaguer sans cordon, nous vous recommandons de pointer cette liste de contrôle avant chaque utilisation de l'outil.

⚠ AVERTISSEMENT! Ne pas insérer la batterie tant que toutes les vérifications quotidiennes n'ont pas été effectuées.

- Inspectez la chaîne, le guide-chaîne et le caisson moteur pour vérifier qu'ils ne sont visiblement pas endommagés.
- Inspectez les rainures du guide-chaîne et nettoyez-les pour retirer tous les débris.
- Vérifiez la tension de la chaîne.
- Vérifiez l'affutage des dents de la chaîne.

REMARQUE : si vous notez quoi que ce soit d'inhabituel, par exemple une vibration ou un son étrange, éteignez immédiatement la scie. Retirez la batterie et vérifiez si la scie n'est pas endommagée.

Si vous ne pouvez pas trouver la cause du problème ou si vous ne savez pas quoi faire, faites inspecter la scie par un revendeur Snow Joe® + Sun Joe® agréé ou appelez le service à la clientèle Snow Joe® + Sun Joe® au 1-866-SNOWJOE (1-866-766-9563) avant de l'utiliser.

⚠ MISE EN GARDE!

- Retirez la batterie et patientez au moins cinq minutes pour que la scie se refroidisse avant d'intervenir dessus ou la remiser.
- Si vous faites tomber la scie, vérifiez soigneusement qu'elle n'est pas endommagée. Si le guide-chaîne est voilé, si le caisson est fissuré, si la poignée est cassée, ou si vous constatez quoi que ce soit pouvant affecter le fonctionnement de la scie, **NE PAS UTILISER** l'outil. Communiquez plutôt avec un revendeur Snow Joe® + Sun Joe® agréé ou appelez le service à la clientèle Snow Joe® + Sun Joe® au 1-866-SNOWJOE (1-866-766-9563).

Nettoyage

Utilisez uniquement un détergent doux et un chiffon humide pour nettoyer la scie à chaîne sans cordon. Ne laissez jamais de liquide pénétrer à l'intérieur du caisson moteur et ne plongez **JAMAIS** une partie quelconque du caisson de la scie dans un liquide.

Dépannage

Conseils de dépannage

La plupart des problèmes se règlent facilement. Consultez le tableau de dépannage pour les problèmes communs et leurs solutions. Si les problèmes persistent ou si des réparations sont nécessaires au-delà de simples réglages, veuillez appeler le 1-866-SNOWJOE (1-866-766-9563) pour de l'aide.

⚠ AVERTISSEMENT! Toujours retirer la batterie avant d'effectuer un réglage quelconque, un entretien ou des réparations sur votre scie à élaguer sans cordon.

Tableau de dépannage

Problèmes	Mesures correctives
Le moteur de la scie ne réussit pas à démarrer	<ul style="list-style-type: none"> • Vérifiez que la batterie est correctement insérée • Vérifiez le statut de charge et rechargez la batterie.
Le moteur s'arrête pendant l'utilisation	<ul style="list-style-type: none"> • Vérifiez que la batterie est correctement insérée. • Vérifiez le statut de charge et rechargez la batterie. • L'outil est surchargé.
La scie tourne, mais la vitesse de la chaîne est lente	<ul style="list-style-type: none"> • La chaîne est trop serrée; réglez la tension.
Guide-chaîne et chaîne dégageant de la chaleur et de la fumée	<ul style="list-style-type: none"> • La tension de la chaîne est trop forte; réglez la tension. • La chaîne doit être lubrifiée; lubrifiez-la avec l'huile.
Le moteur de la scie tourne, mais la chaîne ne tourne pas	<ul style="list-style-type: none"> • La tension de la chaîne est trop forte; réglez la tension. • Le guide-chaîne ou la chaîne sont endommagés; inspectez et remplacez les pièces endommagées.

Remisage

- Avant de remettre l'outil, assurez-vous que la coiffe du guide-chaîne est en place.
- Ne rangez pas la scie à élaguer sans cordon près de produits chimiques, par exemple des engrais ou d'autres solvants corrosifs. N'exposez pas les pièces en plastique de l'outil à des liquides pour freins, de l'essence, des produits à base de pétrole, des huiles dégrippantes ou tout ce qui y ressemble. Ces produits sont souvent extrêmement corrosifs et peuvent endommager, affaiblir ou détruire de façon permanente les pièces en plastique de votre outil.
- Si vous ne l'utilisez pas, votre outil doit être remis à l'intérieur dans un endroit sec et en hauteur ou sous clé, hors de portée des enfants.

Mise en garde concernant les batteries et informations sur leur élimination

Éliminez toujours les blocs-piles en vous conformant aux réglementations fédérales, provinciales ou territoriales et locales. Pour obtenir la liste des sites de recyclage, communiquez avec un organisme de recyclage de votre région.

⚠ MISE EN GARDE! Même déchargés, les blocs-piles emmagasinent une certaine énergie. Avant de les éliminer, utiliser du ruban isolant pour couvrir les bornes et empêcher ainsi les blocs-piles de provoquer un court-circuit, ce qui pourrait déclencher un incendie ou une explosion.

⚠ AVERTISSEMENT! Pour réduire le risque de blessure ou d'explosion, ne jamais brûler ou incinérer un bloc-piles, même s'il est endommagé, à plat ou complètement déchargé. En brûlant, des émanations et des matières toxiques sont émises dans l'atmosphère environnante.

1. Les batteries varient selon le type de machines, d'appareils ou d'outils. Consultez le manuel pour des renseignements spécifiques.
2. S'il en faut plusieurs, insérez uniquement des batteries neuves de même type dans votre outil, appareil ou machine.
3. Si, en les insérant, la polarité des blocs-piles n'est pas respectée, comme indiqué dans le compartiment à batteries ou dans le manuel, leur durée de vie pourrait être réduite ou ils pourraient fuir.
4. Ne mélangez pas des batteries anciennes et des neuves.

5. Ne mélangez pas des batteries alcalines, standard (carbone/zinc) ou rechargeables (au nickel-cadmium, au nickel-métal-hydrure ou au lithium-ion).
6. Ne jetez pas les blocs-piles au feu.
7. Les blocs-piles doivent être recyclés ou éliminés en observant les directives provinciales, territoriales ou locales.

Entretien, réparations et assistance technique

Si votre scie à élaguer sans cordon Sun Joe® 24V-HCSEC-LT nécessite une intervention technique ou un entretien, veuillez appeler le 1-866-SNOWJOE (1-866-766-9563) pour de l'aide.

Numéros de modèle et de série

Lorsque vous communiquez avec l'entreprise pour commander des pièces ou prendre rendez-vous pour une intervention technique chez un revendeur agréé, vous devez fournir les numéros de modèle et de série qui se trouvent sur l'étiquette autocollante apposée sur le caisson de l'outil. Copiez ces numéros dans l'espace réservé ci-dessous.

Veuillez noter les numéros suivants sur le caisson ou la poignée de votre nouveau produit :

N° de modèle :

2 4 V - H C S E C - L T

N° de série :

Tableau d'entretien de chaîne

Maillons d'entraînement	Pas de chaîne		Calibre de chaîne		Diamètre de lime	
	pouces	mm	pouces	mm	pouces	mm
27	0,3	7,62	0,043	1,1	0,138	3,5

XZ2600-0450

FCC (Commission fédérale des communications)

⚠️ AVERTISSEMENT! Toute modification ou tout changement apporté à cet appareil et non approuvé par la partie à qui incombe la responsabilité de sa conformité pourrait annuler l'autorisation de l'utiliser.

Ce produit est conforme à la Partie 15 des Règles de la FCC (Commission fédérale des communications). L'utilisation est soumise aux deux conditions suivantes : (1) ce produit ne doit pas causer de brouillage préjudiciable et (2) ce produit doit accepter tout brouillage reçu, y compris le brouillage pouvant entraîner un fonctionnement indésirable.

Appareil de Classe B :

REMARQUE : ce matériel a été testé et il a été constaté qu'il est conforme aux limites des appareils numériques de Classe B, conformément à la Partie 15 des Règles de la FCC

Ces limites sont conçues pour fournir une protection raisonnable contre le brouillage préjudiciable dans une installation résidentielle.

Ce matériel génère, utilise et peut rayonner une énergie de fréquence radio et, s'il n'est pas installé et utilisé conformément aux instructions, peut être à l'origine d'un brouillage préjudiciable aux communications radio.

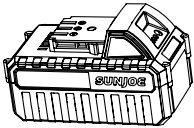
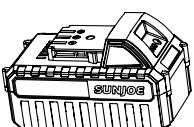

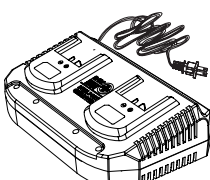
Toutefois, il n'est pas exclu que le brouillage affecte une installation particulière.



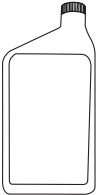
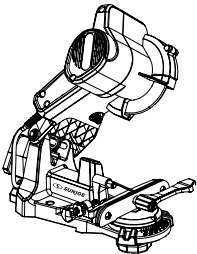
Si cet appareil est à l'origine de brouillage préjudiciable à la réception radio et télévision, ce qui peut être déterminé en éteignant et en allumant l'appareil, l'utilisateur est invité à supprimer le brouillage en prenant une ou plusieurs des mesures suivantes :

- Réorienter ou repositionner l'antenne de réception.
- Augmenter la distance entre l'appareil et le récepteur.
- Brancher l'appareil dans la sortie d'un circuit différent de celui dans lequel le récepteur est branché.
- Pour de l'aide, consulter le revendeur ou un technicien radio/télévision qualifié.

Accessoires en option

⚠️ AVERTISSEMENT! TOUJOURS utiliser des pièces de rechange et des accessoires Snow Joe® + Sun Joe® homologués. NE JAMAIS utiliser des pièces de rechange ou des accessoires qui ne sont pas destinés à être utilisés avec cette scie. Communiquez avec Snow Joe® + Sun Joe® si vous n'êtes pas sûr que l'utilisation d'une pièce de rechange ou d'un accessoire particulier avec votre outil soit sans danger. L'utilisation de tout autre accessoire ou de toute autre pièce détachée peut être dangereuse et pourrait provoquer des dommages corporels ou des détériorations d'origine mécanique.

Accessoires	Description	Modèle
<p>1</p> 	<p>Batterie au lithium-ion 4,0 Ah iON+ 24V</p>	<p>24VBAT</p>
<p>2</p> 	<p>Batterie au lithium-ion 5,0 Ah iON+ 24V</p>	<p>24VBAT-XR</p>
<p>3</p> 	<p>Chargeur rapide de batterie au lithium-ion iON+ 24V</p>	<p>24VCHRG-QC</p>
<p>4</p> 	<p>Chargeur de batterie au lithium-ion iON+ 24V</p>	<p>24VCHRG-DPC</p>

Accessoires	Description	Modèle
<p>5</p> 	<p>Guide-chaîne de rechange de 12,7 cm Sun Joe®</p>	<p>SWJ-5BAR</p>
<p>6</p> 	<p>Chaîne de rechange de 12,7 cm Sun Joe®</p>	<p>SWJ-5CHAIN</p>
<p>7</p> 	<p>Huile pour guide-chaîne et chaînes</p>	<p>SWJ-OIL Vendue sur le site sunjoe.com, mais vous pouvez acheter une huile de même qualité pour guide-chaîne et chaînes dans votre quincaillerie locale</p>
<p>8</p> 	<p>Affuteuse pour scies à chaîne sans cordon iON+ 24V Sun Joe®</p>	<p>24V-CSSHRP-LTE</p>

REMARQUE : les accessoires sont sous réserve de changements sans que Snow Joe® + Sun Joe® soit pour autant tenue de donner un préavis desdits changements. Les accessoires peuvent être commandés en ligne sur le site sunjoe.com ou par téléphone en appelant le service à la clientèle Snow Joe® + Sun Joe® au 1-866-SNOWJOE (1-866-766-9563).



LA PROMESSE DE SNOW JOE® + SUN JOE® À SES CLIENTS

Vous êtes notre client et Snow Joe, LLC (« Snow Joe ») **SE MET EN QUATRE** pour vous servir. Nous nous efforçons de vous rendre l'utilisation de nos produits aussi plaisante que possible. Malheureusement, il peut arriver qu'un produit Snow Joe®, Sun Joe® ou Aqua Joe (« Produit ») ne fonctionne pas ou se casse dans des conditions d'utilisation normales. Nous pensons qu'il est important que vous sachiez ce que vous pouvez attendre de nous. C'est pourquoi nous avons une garantie limitée (« Garantie ») pour nos Produits.

NOTRE GARANTIE :

Snow Joe déclare et garantit que les Produits neufs, d'origine, électriques ou non électriques sont exempts de vices de matière ou de fabrication et, lorsqu'ils font l'objet d'une utilisation résidentielle et ménagère ordinaire, les garantit pendant une période de deux ans à compter de la date d'achat au détail par l'acheteur primitif auprès de Snow Joe ou d'un des revendeurs agréés de Snow Joe, preuve d'achat à l'appui. Étant donné que Snow Joe ne peut pas contrôler la qualité de ses Produits vendus par des revendeurs non agréés, sauf stipulation contraire de la loi, la présente Garantie ne couvre pas les Produits achetés auprès de vendeurs non agréés. Si votre Produit ne fonctionne pas ou si une pièce spécifique couverte par les modalités de la présente Garantie fait l'objet d'un problème quelconque, Snow Joe choisira (1) de vous envoyer une pièce de rechange gratuite, (2) de remplacer le Produit par un produit neuf ou comparable, gratuitement, ou (3) de réparer le Produit. Génial, n'est-ce pas?

La présente Garantie vous donne des droits judiciaires spécifiques, et vous pouvez également avoir d'autres droits qui peuvent varier d'une province ou d'un territoire à l'autre.

ENREGISTREMENT DU PRODUIT :

Snow Joe vous recommande vivement d'enregistrer votre Produit. Vous pouvez l'enregistrer en ligne sur le site snowjoe.com/register, ou en imprimant et en envoyant par courrier une carte d'enregistrement offerte en ligne sur notre site Web, ou par téléphone en appelant notre Service à la clientèle au **1-866-SNOWJOE (1-866-766-9563)**, ou encore en nous envoyant un courriel à l'adresse help@snowjoe.com. Le fait de ne pas enregistrer l'achat de votre Produit n'a aucune conséquence sur vos droits concernant la garantie. Toutefois, l'enregistrement de votre Produit permettra à Snow Joe de mieux répondre au moindre besoin que vous pourriez avoir en matière de service à la clientèle.

QUI PEUT REVENDIQUER LA COUVERTURE DE LA GARANTIE?

La présente Garantie est étendue par Snow Joe à l'acheteur et propriétaire primitif du Produit.

QU'EST-CE QUI N'EST PAS COUVERT?

La présente Garantie ne s'applique pas si le Produit a été utilisé commercialement, pour des travaux non résidentiels ou s'il fait l'objet d'une location. La présente Garantie ne s'applique pas non plus si le Produit a été acheté auprès d'un revendeur non agréé. La présente garantie ne couvre pas non plus les changements cosmétiques qui n'affectent pas le rendement. Les pièces d'usure comme les courroies, les tarières, les chaînes et les dents ne sont pas couvertes au titre de la présente Garantie et peuvent être achetées en ligne sur le site snowjoe.com ou en appelant le **1-866-SNOWJOE (1-866-766-9563)**.



sunjoe.com