



CORDLESS HEDGE TRIMMER

24V MAX* | 2.0 Ah | 16-INCH

OPERATOR'S MANUAL

A Division of Snow Joe, LLC

Model 24V-HT16-LTE

Form No. SJ-24V-HT16-LTE-880E-M

IMPORTANT!

Safety Instructions

All Operators Must Read These Instructions Before Use

Always follow these safety guidelines. Failure to do so may result in serious bodily injury or death.

General Power Tool Safety Warnings

⚠️ WARNING Read all safety warnings and all instructions. Failure to follow the warnings and instructions may result in electric shock, fire and/or serious injury.

Save all warnings and instructions for future reference.

The term "power tool" in the warnings refers to your mains-operated (corded) power tool or battery-operated (cordless) power tool.

⚠️ DANGER! This indicates a hazardous situation, which, if not followed, will result in serious injury or death.

⚠️ WARNING! This indicates a hazardous situation, which, if not followed, could result in serious injury or death.

⚠️ CAUTION! This indicates a hazardous situation, which, if not followed, could result in minor or moderate injury.

Work Area Safety

1. **Keep work area clean and well lit** – Cluttered or dark areas invite accidents.
2. **Do not operate power tools in explosive atmospheres, such as in the presence of flammable liquids, gases or dust** – Power tools create sparks which may ignite the dust or fumes.
3. **Keep children and bystanders away while operating a power tool** – Distractions can cause you to lose control.

Electrical Safety

1. **Power tool plugs must match the outlet. Never modify the plug in any way. Do not use any adapter plugs with earthed (grounded) power tools.** Unmodified plugs and matching outlets will reduce risk of electric shock.

2. **Avoid body contact with earthed or grounded surfaces, such as pipes, radiators, ranges and refrigerators** – There is an increased risk of electric shock if your body is earthed or grounded.
3. **Do not expose power tools to rain or wet conditions** – Water entering a power tool will increase the risk of electric shock.
4. **Do not abuse the cord. Never use the cord for carrying, pulling or unplugging the power tool. Keep cord away from heat, oil, sharp edges or moving parts.** Damaged or entangled cords increase the risk of electric shock.
5. **When operating a power tool outdoors, use an extension cord suitable for outdoor use.** Use of a cord suitable for outdoor use reduces the risk of electric shock.
6. **If operating a power tool in a damp location is unavoidable, use a residual current device (RCD) protected supply.** Use of an RCD reduces the risk of electric shock.

Personal Safety

1. **Stay alert, watch what you are doing and use common sense when operating a power tool. Do not use a power tool while you are tired or under the influence of drugs, alcohol or medication** – A moment of inattention while operating power tools may result in serious personal injury.
2. **Use personal protective equipment. Always wear eye protection** – Protective equipment such as dust mask, non-skid safety shoes, hard hat, or hearing protection used for appropriate conditions will reduce personal injuries.
3. **Prevent unintentional starting. Ensure the switch is in the off-position before connecting to power source and/or battery pack, picking up or carrying the tool.** – Carrying power tools with your finger on the switch or energizing power tools that have the switch on invites accidents.
4. **Remove any adjusting key or wrench before turning the power tool on.** A wrench or a key left attached to a rotating part of the power tool may result in personal injury.
5. **Do not overreach. Keep proper footing and balance at all times** – This enables better control of the power tool in unexpected situations.
6. **Dress properly. Do not wear loose clothing or jewelry. Keep your hair, clothing and gloves away from moving parts** – Loose clothes, jewelry or long hair can be caught in moving parts.

***DISCLAIMER:** Initial no-load voltage, when fully charged, peaks at 24V; nominal voltage under typical load is 21.6V.

7. **If devices are provided for the connection of dust extraction and collection facilities, ensure these are connected and properly used.** Use of dust collection can reduce dust-related hazards.
8. **Do not let familiarity gained from frequent use of tools allow you to become complacent and ignore tool safety principles.** A careless action can cause severe injury within a fraction of a second.

Power Tool Use + Care

1. **Do not force the power tool. Use the correct power tool for your application** – The correct power tool will do the job better and safer at the rate for which it was designed.
2. **Do not use the power tool if the switch does not turn it on and off** – Any power tool that cannot be controlled with the switch is dangerous and must be repaired.
3. **Disconnect the plug from the power source and/or remove the BATTERY pack, if detachable, from the power tool before making any adjustments, changing accessories, or storing power tools** – Such preventive safety measures reduce the risk of starting the power tool accidentally.
4. **Store idle power tools out of the reach of children and do not allow persons unfamiliar with the power tool or these instructions to operate the power tool** – Power tools are dangerous in the hands of untrained users.
5. **Maintain power tools and accessories. Check for misalignment or binding of moving parts, breakage of parts and any other condition that may affect the power tool's operation. If damaged, have the power tool repaired before use** – Many accidents are caused by poorly maintained power tools.
6. **Keep cutting tools sharp and clean** – Properly maintained cutting tools with sharp cutting edges are less likely to bind and are easier to control.
7. **Use the power tool, accessories and tool bits etc. in accordance with these instructions, taking into account the working conditions and the work to be performed.** – Use of the power tool for operations different from those intended could result in a hazardous situation.
8. **Keep handles and grasping surfaces dry, clean and free from oil and grease** – Slippery handles and grasping surfaces do not allow for safe handling and control of the tool in unexpected situations.

Battery tool use and care

1. **Recharge only with the charger specified by the manufacturer.** A charger that is suitable for one type of BATTERY pack may create a risk of fire when used with another BATTERY pack.
2. **Use power tools only with specifically designated BATTERY packs.** Use of any other BATTERY packs may create a risk of injury and fire.

3. **When BATTERY pack is not in use, keep it away from other metal objects, like paper clips, coins, keys, nails, screws or other small metal objects, that can make a connection from one terminal to another.** Shorting the BATTERY terminals together may cause burns or a fire.
4. **Under abusive conditions, liquid may be ejected from the BATTERY; avoid contact. If contact accidentally occurs, flush with water. If liquid contacts eyes, additionally seek medical help.** Liquid ejected from the BATTERY may cause irritation or burns.
5. **Do not use a BATTERY pack or tool that is damaged or modified.** Damaged or modified batteries may exhibit unpredictable behaviour resulting in fire, EXPLOSION or risk of injury.
6. **Do not expose a BATTERY pack or tool to fire or excessive temperature.** Exposure to fire or temperature above 130°C may cause explosion.

NOTE: The temperature "130 °C" can be replaced by the temperature "265°F".
7. **Follow all charging instructions and do not charge the BATTERY pack or tool outside the temperature range specified in the instructions.** Charging improperly or at temperatures outside the specified range may damage the BATTERY and increase the risk of fire.

Service

Have your power tool serviced by a qualified repair person using only identical replacement parts. This will ensure that the safety of the power tool is maintained.

Never service damaged BATTERY packs. Service of BATTERY packs should only be performed by the manufacturer or authorized service providers.

Hedge Trimmer Safety Warnings

1. **Keep all parts of the body away from the blade. Do not remove cut material or hold material to be cut when blades are moving.** Blades continue to move after the switch is turned off. A moment of inattention while operating the hedge trimmer may result in serious personal injury.
2. **Carry the hedge trimmer by the handle with the blade stopped and taking care not to operate any power switch.** Proper carrying of the hedge trimmer will decrease the risk of inadvertent starting and resultant personal injury from the blades.
3. **When transporting or storing the hedge trimmer, always fit the blade cover.** Proper handling of the hedge trimmer will decrease the risk of personal injury from the blades.
4. **When clearing jammed material or servicing the unit, make sure all power switches are off and the battery pack is removed or disconnected.** Unexpected actuation of the hedge trimmer while clearing jammed material or servicing may result in serious personal injury.

5. **Hold the hedge trimmer by insulated gripping surfaces only, because the blade may contact hidden wiring.**
Blades contacting a "live" wire may make exposed metal parts of the hedge trimmer "live" and could give the operator an electric shock.
6. **Keep all power cords and cables away from cutting area.**
Power cords or cables may be hidden in hedges or bushes and can be accidentally cut by the blade.
7. **Do not use the hedge trimmer in bad weather conditions, especially when there is a risk of lightning.** This decreases the risk of being struck by lightning.

Training

1. Read the instructions carefully. Be familiar with the controls and the proper use of the product.
2. Never allow people unfamiliar with these instructions or children to use the product. Local regulations can restrict the age of the operator.
3. Keep in mind that the operator or user is responsible for accidents or hazards occurring to other people or their property.

Preparation

1. This product can cause serious injuries. Read the instructions carefully for the correct handling, preparation, maintenance, starting and stopping of the product. Become familiar with all controls and the proper use of the product.
2. Never allow children to use the hedge trimmer.
3. Beware of overhead power lines.
4. Never operate the product while people, especially children, or pets are nearby.
5. Dress properly. Do not wear loose clothing or jewelry, which can be caught in moving parts. Use of sturdy gloves, non-skid footwear and safety glasses is recommended.
6. Wear eye protection and stout shoes at all times while operating the product.
7. If the cutting attachment strikes any foreign object or the product starts making any unusual noise or vibration, switch the product off, remove the battery, allow the product to stop and take the following steps:
 - inspect for damage;
 - check for, and tighten, any loose parts;
 - have any damaged parts replaced or repaired with parts having equivalent specifications.

Operation

1. Use the product only in daylight or good artificial light.
2. Never operate the product with damaged guards or shields or without guards or shields in place.
3. Keep hands and feet away from the cutting device at all times and especially when switching on the motor.

4. Before using the product and after any impact, check for signs of wear or damage and repair as necessary.
5. Always remove the battery
 - whenever leaving the product unattended;
 - adjusting the working position of the cutting device;
 - before clearing a blockage;
 - before checking, cleaning or working on the product;
 - after striking a foreign object;
 - whenever the product starts vibrating abnormally.
6. Ensure that the hedge trimmer is correctly located in a designated working position before starting the motor.
7. While operating the hedge trimmer, always ensure that the operating position is safe and secure, especially when using steps or a ladder.
8. Do not operate the hedge trimmer with a damaged or excessively worn cutting device.
9. Always ensure that all handles and guards are fitted when using the hedge trimmer. Never attempt to use an incomplete hedge trimmer or one fitted with an unauthorized modification.
10. Always use two hands to operate a hedge trimmer fitted with two handles.
11. Always be aware of your surroundings and stay alert for possible hazards of which you may not be aware due to the noise of the product.
12. Take care against injury to feet and hands from the cutting device.
13. Always ensure that the air vents are kept clear of debris.
14. Wear slip-resistant foot protection and protective clothing when using this product.
15. Always keep proper footing and operate the product only when standing on a fixed, secure and level surface. Change working positions regularly to avoid tiredness and ensure a comfortable working position at all times.
16. Never use replacement parts or accessories not provided or recommended by the manufacturer.
17. The use of this product may be restricted by regional or local regulations.

Vibration + Noise Reduction

To reduce the impact of noise and vibration emission, limit the time of operation, use low-vibration and low-noise operating modes as well as wear personal protective equipment.

Take the following points into account to minimise the vibration and noise exposure risks.

1. Only use the product as intended by its design and these instructions.
2. Ensure that the product is in good condition and well maintained.
3. Use correct attachments for the product and ensure they are in good condition.

4. Keep tight grip on the handles/grip surface.
5. Maintain this product in accordance with these instructions and keep it well lubricated (where appropriate).
6. Plan your work schedule to spread any high vibration tool use across a longer period of time.

Emergency

Familiarize yourself with the use of this product by means of this instruction manual. Memorize the safety directions and follow them to the letter. This will help to prevent risks and hazards.

1. Always be alert when using this product, so that you can recognize and handle risks early. Fast intervention can prevent serious injury and damage to property.
2. Switch off and remove the battery if there are malfunctions. Have the product checked by a qualified professional and repaired, if necessary, before you operate it again.

Residual Risks

Even if you are operating this product in accordance with all the safety requirements, potential risks of injury and damage remain. The following dangers can arise in connection with the structure and design of this product:

1. Health defects resulting from vibration emission if the product is being used over long periods of time or not adequately handled and properly maintained.
2. Injuries and damage to property due to broken cutting attachments or the sudden impact of hidden objects during use.
3. Danger of injury and property damage caused by flying objects.

⚠️ WARNING! This product produces an electromagnetic field during operation. This field may under some circumstances interfere with active or passive medical implants! To reduce the risk of serious or fatal injury, we recommend persons with medical implants to consult their doctor and the medical implant manufacturer before operating this product.

Battery & Charger Safety Instructions

We pay a great deal of attention to the design of every battery pack to ensure that we supply you with batteries that are safe, durable and have a high energy density. The battery cells have a wide range of safety devices. Each individual cell is initially formatted and its electrical characteristic curves are recorded. This data is then used exclusively to be able to assemble the best possible battery packs.

Despite all the safety precautions, caution must always be exercised when handling batteries. The following points must be obeyed at all times to ensure safe use. Safe use can only be guaranteed if undamaged cells are used. Incorrect handling of the battery pack can cause cell damage.

IMPORTANT! Analyses confirm that incorrect use and poor care of high-performance batteries are the main factors responsible for personal and/or product damage.

⚠️ WARNING! Use only approved replacement batteries; other batteries may damage the hedge trimmer and cause it to malfunction.

⚠️ CAUTION! To reduce the risk of injury, charge the 24V* IONMAX™ lithium-ion battery pack only in its designated 24V* IONMAX™ lithium-ion charger. Other types of chargers present risk of fire, personal injury and damage. Do not wire a battery pack to a power supply plug or car cigarette lighter. Such misuse will permanently disable or damage the battery pack.

- **Avoid dangerous environments** – Do not charge the battery pack in rain, snow or in damp or wet locations. Do not use the battery pack or charger in the presence of explosive atmospheres (gaseous fumes, dust or flammable materials) because sparks may be generated when inserting or removing the battery pack, which could lead to a fire.
- **Charge in a well-ventilated area** – Do not block the charger vents. Keep them clear to allow for proper ventilation. Do not allow smoking or open flames near a charging battery pack. Vented gases may explode.
NOTE: The safe temperature range for the battery is 41°F – 105°F (5°C – 40.5°C). Do not charge the battery outside in freezing weather; charge it at room temperature.
- **Maintain charger cord** – When unplugging the charger, pull the plug, not the cord, from the receptacle to reduce the risk of damage to the electrical plug and cord. Never carry the charger by its cord or yank it by the cord to disconnect it from the receptacle. Keep the cord away from heat, oil and sharp edges. Make sure the cord will not be stepped on, tripped over or subjected to damage or stress when the charger is in use. Do not use the charger with a damaged cord or plug. Replace a damaged charger immediately.
- **Do not use an extension cord unless it is absolutely necessary** – Using the wrong, damaged or improperly wired extension cord poses a risk of fire and electric shock. If an extension cord must be used, plug the charger into a properly wired 16 gauge or larger extension cord with the female plug matching the male plug on the charger. Make sure that the extension cord is in good electrical condition.
- **XZ2600-0450 charger is rated for 100-240 volt AC only** – The charger must be plugged into an appropriate receptacle.
- **Use only recommended attachments** – Use of an attachment not recommended or sold by the battery charger or battery pack manufacturer may result in risk of fire, electric shock or personal injury.
- **Unplug charger when not in use** – Make sure to remove battery packs from unplugged chargers.

⚠️ WARNING! To reduce the risk of electric shock, always unplug the charger before performing any cleaning or maintenance. Do not allow water to flow into the charger. Use a Ground Fault Circuit Interrupter (GFCI) to reduce shock hazards.

- **Do not burn or incinerate battery packs** – Battery packs may explode, causing personal injury or damage. Toxic fumes and materials are created when battery packs are burned.
- **Do not crush, drop or damage battery packs** – Do not use the battery pack or charger if they have sustained a sharp blow, been dropped, run over or have been damaged in any way (i.e. pierced with a nail, hit with a hammer, stepped on, etc.).
- **Do not disassemble** – Incorrect reassembly may pose a serious risk of electric shock, fire or exposure to toxic battery chemicals. If the battery or charger are damaged, please contact an authorized Snow Joe® + Sun Joe® dealer or call the Snow Joe® + Sun Joe® customer service center at 1-866-SNOWJOE (1-866-766-9563).
- **Battery chemicals cause serious burns** – Never let a damaged battery pack contact the skin, eyes or mouth. If a damaged battery pack leaks battery chemicals, use rubber or neoprene gloves to safely dispose of it. If skin is exposed to battery fluids, wash the affected area with soap and water and rinse with vinegar. If eyes are exposed to battery chemicals, immediately flush with water for 20 minutes and seek medical attention. Remove and dispose of contaminated clothing.
- **Store your battery pack and charger in a cool, dry place** – Do not store the battery pack or charger where temperatures may exceed 105°F (40.5°C), such as in direct sunlight or inside a vehicle or metal building during the summer.

Information about the charger and the charging process

1. Please check the data marked on the rating plate of the battery charger. Be sure to connect the battery charger to a power supply with the voltage marked on the rating plate. Never connect it to a different mains voltage.
2. Protect the battery charger and its cord from damage. Keep the charger and its cord away from heat, oil and sharp edges. Have damaged cords repaired without delay by a qualified technician at an authorized Snow Joe® + Sun Joe® dealer or call the Snow Joe® + Sun Joe® customer service center at 1-866-SNOWJOE (1-866-766-9563).
3. Electrical plugs must match the outlet. Never modify the plug in any way. Do not use any adapter plugs with grounded appliances. Unmodified plugs and matching outlets will reduce the risk of electric shock.
4. Keep the battery charger, battery pack(s) and the cordless tool out of the reach of children.
5. Do not use the supplied battery charger to charge other cordless tools.









6. During periods of heavy use, the battery pack will become warm. Allow the battery pack to cool to room temperature before inserting it into the charger to recharge.
7. Do not overcharge batteries. Do not exceed the maximum charging times. These charging times only apply to discharged batteries. Frequent insertion of a charged or partially charged battery pack will result in overcharging and cell damage. Do not leave batteries in the charger for days on end.
8. Never use or charge batteries if you suspect that it has been more than 12 months since the last time they were charged. There is a high probability that the battery pack has already suffered dangerous damage (exhaustive discharge).
9. Charging batteries at a temperature below 41°F (5°C) will cause chemical damage to the cells and may cause a fire.

Protection from environmental influences

1. Wear suitable work clothes. Wear safety goggles.
2. Protect your cordless tool and the battery charger from moisture and rain. Moisture and rain can cause dangerous cell damage.
3. Do not use the cordless tool or the battery charger near vapors and flammable liquids.
4. Use the battery charger and cordless tools only in dry conditions and at an ambient temperature of 41°F – 105°F (5°C – 40.5°C).
5. Do not keep the battery charger in places where the temperature is liable to reach over 105°F (40.5°C). In particular, do not leave the battery charger in a car that is parked in the sunshine.
6. Protect batteries from overheating. Overloads, overcharging and exposure to direct sunlight will result in overheating and cell damage. Never charge or work with batteries that have been overheated – replace them immediately, if possible.
7. Store the charger and your cordless tool only in dry locations with an ambient temperature of 41°F – 105°F (5°C – 40.5°C). Store your lithium-ion battery pack in a cool, dry place at a temperature of 77°F (25°C). Protect the battery pack, charger and cordless tool from humidity and direct sunlight. Only place fully charged batteries in storage.
8. Prevent the lithium-ion battery pack from freezing. Battery packs that were stored below 32°F (0°C) for more than 60 minutes must be discarded.
9. When handling batteries, be wary of electrostatic charge. Electrostatic discharges can damage the electronic protection system and the battery cells. Avoid electrostatic charging and never touch the battery poles.

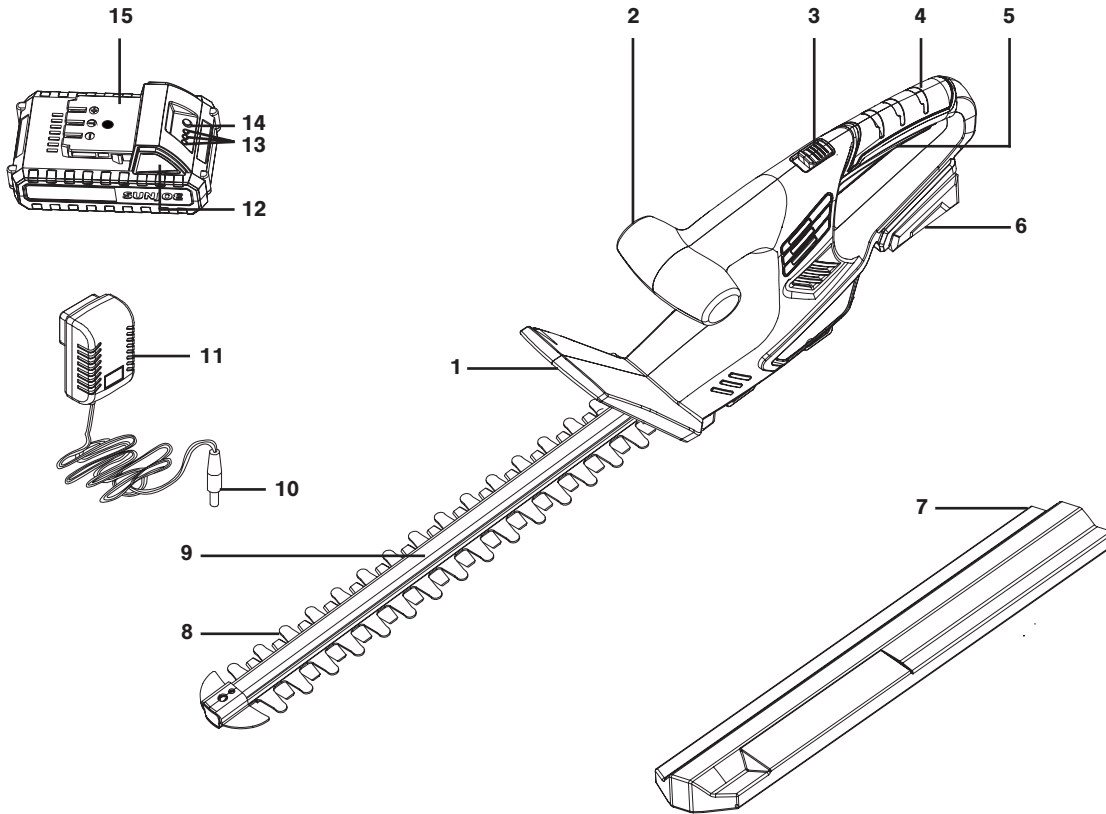
Safety Symbols

The following table depicts and describes safety symbols that may appear on this product. Read, understand, and follow all instructions on the machine before attempting to assemble and operate.

Symbols	Descriptions	Symbols	Descriptions
	READ THE OPERATOR'S MANUAL(S) – Read, understand, and follow all instructions in the user manual(s) before attempting to assemble and operate.		SAFETY ALERT – Indicates a precaution, a warning, or a danger.
	WARNING! Do not expose the unit to rain or wet conditions.		WEAR EYE AND HEARING PROTECTION – For protection against injury, wear ear defenders and safety goggles.
	Wear protective gloves and non-slip footwear when using the machine and handling debris.		DANGER! ROTATING BLADES – Keep hands and feet away from openings while the trimmer is running.
	Keep bystanders a safe distance away from the work area.		Indoor use only. Only use battery charger indoors.

Know Your Cordless Hedge Trimmer

Read the owner's manual and safety instructions carefully before operating the cordless hedge trimmer. Compare the illustration below to the cordless hedge trimmer in order to become familiar with the location of the various controls and adjustments. Save this manual for future reference.



- | | | |
|------------------------|--|--|
| 1. Safety guard | 7. Blade cover | 12. Push lock button |
| 2. Front handle | 8. Blade | 13. Battery charge level indicators |
| 3. Safety lock switch | 9. Blade support | 14. Push button for battery indicator |
| 4. Rear handle | 10. Charger plug | 15. 24V* IONMAX™ lithium-ion battery (24VBAT-LTE) featuring exclusive EcoSharp® technology |
| 5. On/Off trigger | 11. 24V* IONMAX™ lithium-ion battery charger (XZ2600-0450) | |
| 6. Battery compartment | | |

Technical Data

Motor	250 W	Blade Movement	Dual-action
Battery Voltage Max*	24V D.C.	Blade Material	65Mn Steel blades
Battery Capacity	2.0 Ah	Blade Length	16 in. (40.6 cm)
Charger Input	100 – 240V AC, 50/60 Hz, 0.4 A	Cutting Diameter Max	0.55 in. (14 mm)
Charger Output	26V D.C. 450 mA	No-load speed	2800 rpm
Charging Time Max	5 hours	Net Weight	4.8 lbs (2.2 kg)

***DISCLAIMER:** Initial no-load voltage, when fully charged, peaks at 24 volts; nominal voltage under typical load is 21.6 volts.

Unpacking

Carton Contents

- Cordless hedge trimmer
- Blade cover
- 24V* IONMAX™ lithium-ion battery
- 24V* IONMAX™ lithium-ion charger
- Manual with registration card

1. Carefully remove the cordless hedge trimmer and check to see that all of the above items are supplied.

2. Inspect the product carefully to make sure no breakage or damage occurred during shipping. If you find damaged or missing parts, DO NOT return the unit to the store. Please call the Snow Joe® + Sun Joe® customer service center at 1-866-SNOWJOE (1-866-766-9563).

NOTE: Do not discard the shipping carton and packaging material until you are ready to use the cordless hedge trimmer. The packaging is made of recyclable materials. Properly dispose of these materials in accordance with local regulations or save the packaging for long-term product storage.

IMPORTANT! The equipment and packaging material are not toys. Do not let children play with plastic bags, foils, or small parts. These items can be swallowed and pose a suffocation risk!





Battery Pack Operation

The equipment is powered by a lithium-ion battery. The battery pack is completely sealed and maintenance free.

Battery Charge Level Indicator

The battery pack is equipped with a push button for checking the charge level. Simply press the push button to read off the battery charge level from the LEDs of the battery indicator:

- All 3 level monitoring LEDs are lit: Battery charge level is maximum.
- 3 level monitoring LEDs are lit: Battery charge level is high.
- 2 level monitoring LEDs are lit: Battery charge level is decreasing. Stop work as soon as possible.
- 1 level monitoring LED is lit: Battery is flat. Stop work IMMEDIATELY and charge the battery. Otherwise the battery's service life will be greatly shortened.

Lights	Light Indicators
	Charge level button
	The battery is at 30% capacity and requires charging
	The battery is at 60% capacity and requires charging soon
	The battery is at full capacity

NOTE: If the charge level button does not appear to be working, place the battery pack on the charger and charge as needed.

Immediately after using the battery pack, the charge level button may display a lower charge than it will if checked a few minutes later. The battery cells "recover" some of their charge after resting.

Charger Operation

WARNING! Charge only 24V* IONMAX™ lithium-ion battery packs with its compatible 24V* IONMAX™ lithium-ion charger. Other types of batteries may cause personal injury and damage. To reduce the risk of electric shock, do not allow water to flow into the charger's AC/DC plug.

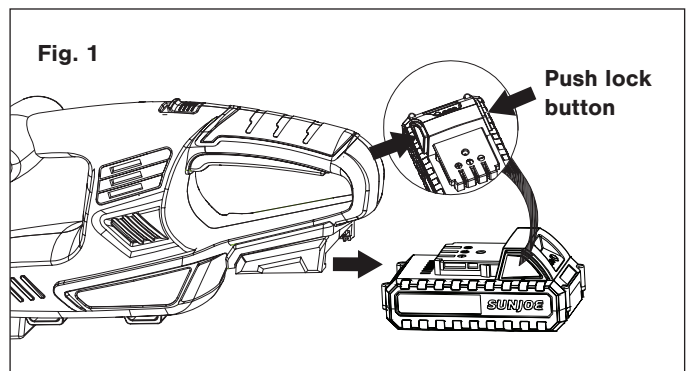
When to Charge the IONMAX™ 24VBAT-LTE Lithium-Ion Battery

NOTE: The IONMAX™ 24VBAT-LTE lithium-ion battery packs do not develop a "memory" when charged after only a partial discharge. Therefore, it is not necessary to run down the battery pack before inserting the charger plug.

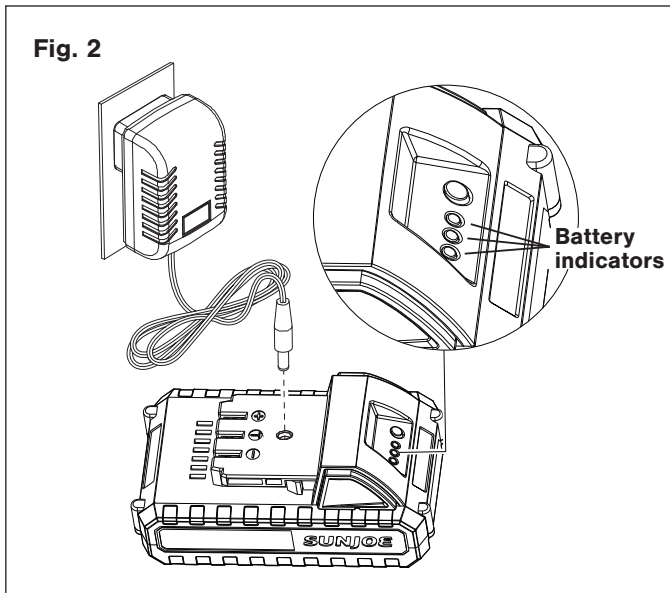
- Use the battery indicator lights to determine when to charge your IONMAX™ 24VBAT-LTE lithium-ion battery pack.
- You can "top-off" your battery pack's charge before starting a big job or after a long day of use.

Charging the Battery

1. Push the push lock buttons on the battery to pull the battery pack out of the equipment (Fig. 1).



2. Check that the mains voltage is the same as that marked on the rating plate of the battery charger. Then, plug the charger adapter into an appropriate AC power outlet. Connect the charger plug into the charge socket of the battery to start charging (Fig. 2).



3. The battery will take approximately 80 minutes to charge. The battery indicator LEDs will twinkle and illuminate one by one during the charging process. Unplug the charger immediately when the 3 LEDs are all illuminated.

⚠ CAUTION! FIRE HAZARD. When disconnecting the charger from the battery, be sure to unplug the charger from the outlet first, then disconnect the charger from the battery

⚠ WARNING! This charger does not automatically turn off when the battery is fully charged. Please take care not to leave the battery plugged into the charger. Switch off or unplug the charger at the mains when charging is complete.

4. Timely recharging of the battery will help prolong the battery's life. You must recharge the battery pack when you notice a drop in the equipment's power.

IMPORTANT! Never allow the battery pack to become fully discharged as this will cause irreversible damage to the battery.

Assembly

This cordless hedge trimmer comes completely assembled.

Operation

⚠ WARNING! Always wear safety goggles or safety glasses with side shields when operating power tools. Failure to do so could result in objects being thrown into your eyes, resulting in possible serious injury.

⚠ WARNING! Do not use any attachments or accessories not recommended by the manufacturer of this product. The use of attachments or accessories not recommended can result in serious personal injury.

Holding the Trimmer

Before operating the hedge trimmer, stand in the operating position and perform the following checks:

1. You are wearing all of the necessary personal protective equipment, including protective gloves, non-slip footwear, safety goggles, ear defenders, and close-fitting clothing.
2. You are holding the unit firmly with both hands. Your right arm is slightly bent and is holding the rear handle, and your left arm is straight and is holding the front handle.
3. You are standing with proper footing and are holding the hedge trimmer so that the cutting blades are always away from your body.

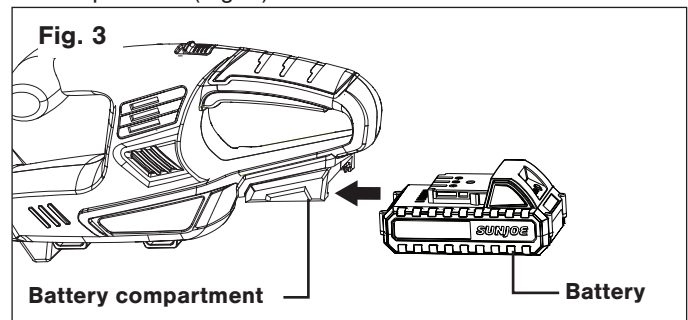
⚠ WARNING! Always keep both hands on the hedge trimmer handles. Never hold shrubs with one hand and operate the hedge trimmer with the other. Improper handling of the hedge trimmer could result in serious injury.

Starting + Stopping

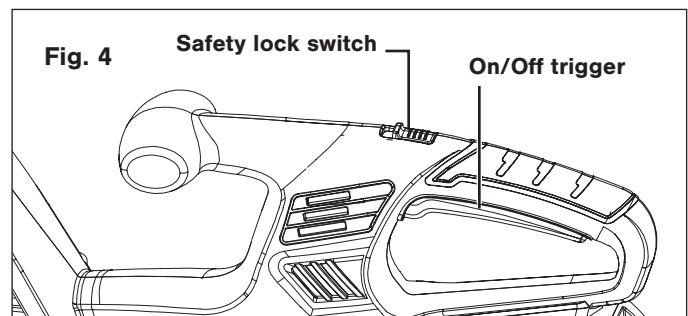
⚠ WARNING! Ensure the blade does not touch any objects before turning on the hedge trimmer.

⚠ CAUTION! Starting, stopping, and restarting a DC motor repeatedly within a few seconds can generate a great deal of heat and damage the motor. To protect the life of your cordless hedge trimmer, always wait at least five seconds after stopping before restarting the hedge trimmer.

1. Remove the blade cover and insert the battery in the battery compartment (Fig. 3).



2. To start the tool, slide the safety lock switch upward, then squeeze the On/Off trigger. (Fig. 4).



3. To turn the tool OFF, release the On/Off trigger (Fig. 4).

NOTE: Do not press the On/Off trigger until you are ready to make a cut.

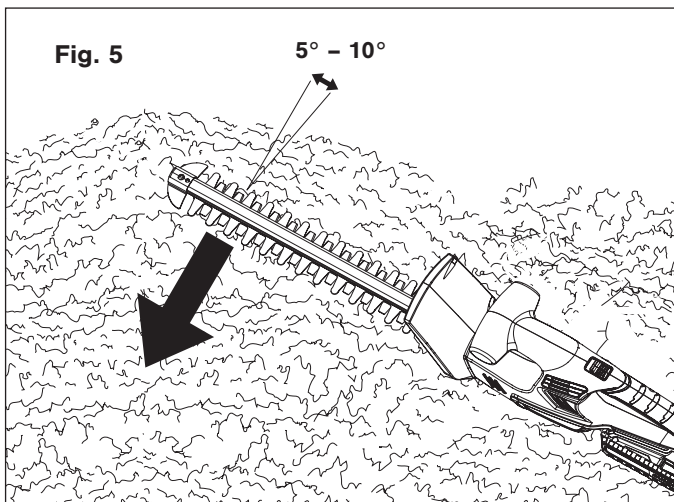
Cutting Procedures

⚠️ WARNING! Never cut near electric cords or power lines. If the blade jams on any electrical cable, **DO NOT TOUCH THE BLADE. IT CAN CONDUCT ELECTRICITY AND FATALLY SHOCK YOU!** Instead, continue to hold the hedge trimmer by the insulated rear handle, and lay it down and away from you in a safe manner. Make sure that electrical service to the damaged electrical cable is disconnected before attempting to free the hedge trimmer blade. Contact with the blade, other conductive parts of the hedge trimmer, or live electric cords or power lines will result in death by electrocution or serious injury.

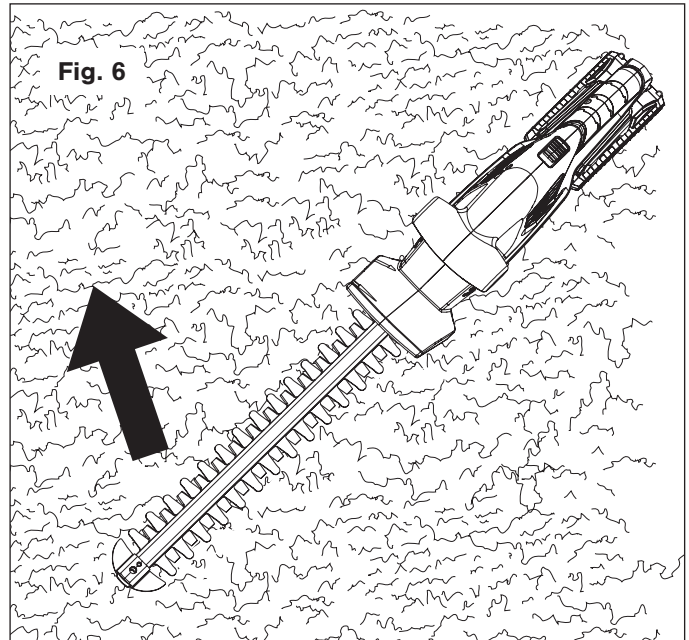
⚠️ WARNING! Do not allow familiarity with this type of product to make you careless. Remember that a careless fraction of a second is sufficient to inflict serious injury.

⚠️ WARNING! Clear the area to be cut before each use. Remove all objects such as cords, lights, wire, or loose string which can become entangled in the cutting blade and create a risk of electric shock and serious personal injury.

1. When trimming new growth, use a wide sweeping action so that the stems are fed directly into the blade. Do not try to cut branches that are thicker than 0.55 in. (1.4 cm) or those that are obviously too large to feed into the blade. Use lopping shears, a hand saw, or a pruning saw to cut out thick branches first. If a substantial cut is necessary, cut a little at a time in several passes. Cut both sides of the hedge first and then the top.
2. To perform a horizontal cut, hold the hedge trimmer with the blade tilted 5-10 degrees to your cutting object; this makes the operation easier and ensures a better cut (Fig. 5).



3. To perform a vertical cut, start trimming at the bottom and sweep up for even cutting. Swing the blades in an arc towards the outsides of the hedge so that the cuttings are swept on the ground (Fig. 6).



Cutting Tips

⚠️ WARNING! Hold the tool firmly in both hands. Always keep your dominant hand on the switch handle and your non-dominant hand on the front. Never hold the tool by the blade guard. Keep unit below waist level.

- A wide, sweeping motion, feeding the blade teeth through the twigs is most effective. A slight downward tilt of the blade in the direction of the motion gives the best cut.
- Begin at the bottom and sweep up.
- Do not force the hedge trimmer through heavy shrubbery. This can cause the blades to bind and slow down. If the blades slow down, reduce the pace.
- If blades do become jammed, stop the motor, allow the blades to stop, and remove the battery before attempting to remove the obstruction.
- If desired, you can use a string to help cut your hedge level. Decide how high you want the hedge. Stretch a piece of string along the hedge at the desired height. Trim the hedge just above the guide line of string. Trim the side of a hedge so that it will be slightly narrower at the top. More of the hedge will be exposed when shaped this way, and it will be more uniform.
- Wear gloves when trimming thorny or prickly growth. When trimming new growth, use a wide sweeping action, so that the stems are fed directly into the cutting blade. Older growth will have thicker stems and will be trimmed easiest by using a sawing movement.

Care + Maintenance

⚠️ ATTENTION! Before performing any cleaning or maintenance, remove the battery from the battery compartment. Never touch the moving blades.

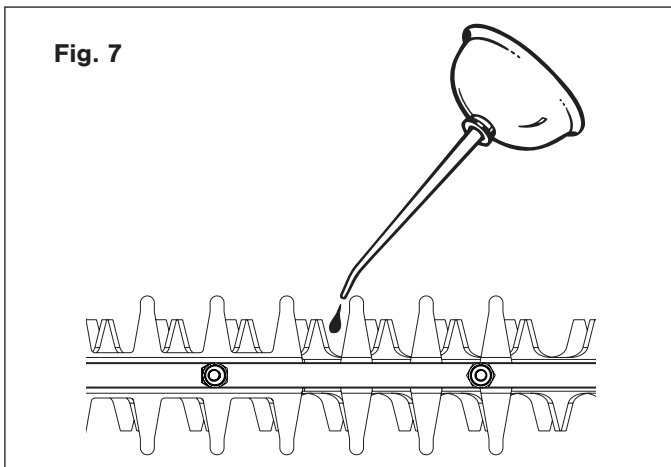
⚠ WARNING! Never spray or clean the hedge shears with water.

1. Clean the hedge shears with a dry towel, particularly the ventilation slits, after each use, or use a brush in the event of heavy soiling. Spray the blades with lightweight machine oil after each use.
2. Store the hedge trimmer in the blade cover provided. Store the hedge trimmer in a dry location out of the reach of children.
3. When servicing, use only identical replacement parts. Use of any other parts can create a hazard or cause product damage. Please contact an authorized Snow Joe® + Sun Joe® dealer or call the Snow Joe® + Sun Joe® customer service center at 1-866-SNOWJOE (1-866-766-9563) for all replacement parts and accessories for your product.

Lubricate the Blades

For easier operation and longer blade life, lubricate the hedge trimmer blade before and after each use.

1. Stop the motor and remove the battery.
2. Lay the hedge trimmer on a flat surface. Apply any lightweight machine oil along the edge of the top blade (Fig. 7).



If you will be using the hedge trimmer for an extended period, it is advisable to stop work intermittently in order to re-oil the blade.

NOTE: Do not oil while the hedge trimmer is running.

1. Stop the motor and remove the battery.
2. Lubricate the hedge trimmer as described above.
3. Insert the battery and resume use.

Sharpening the Blades

The blade must be re-sharpened if cutting performance and behavior begin to deteriorate (i.e. if blades frequently snag on branches).

1. Stop the motor and remove the battery. Clamp the blade in a vise.
2. File the exposed cutting surface of each blade tooth with a smooth round file. Be sure to retain the original angle of the tooth when filing.
3. Remove the blade from the vise, and power on the motor until the unsharpened edges of the remaining blade teeth are exposed.
4. Remove the battery and repeat the sharpening procedure as necessary.

⚠ WARNING! Do not operate the hedge trimmer with dull or damaged cutting blades. This may cause overload and will give unsatisfactory cutting results.

Cleaning the Hedge Trimmer

1. Stop the motor and remove the battery.
2. Clean dirt and debris from the body of the hedge trimmer using a damp cloth and mild detergent.

NOTE: Do not use any strong detergents on the plastic housing or the handle. These parts can be damaged by certain aromatic oils such as pine and lemon, and by solvents such as kerosene.

Storage

1. Stop the motor and remove the battery.
2. Clean the hedge trimmer thoroughly before storing.
3. Always place the blade cover on the blade before storing or transporting the hedge trimmer. Use caution to avoid the sharp teeth of the blade.
4. Store the hedge trimmer indoors, in a dry place that is inaccessible to children. Keep away from corrosive agents such as garden chemicals and de-icing salts.
5. Always store the hedge trimmer in a place that is inaccessible to children. The ideal storage temperature is between 50°F and 86°F (10°C and 30°C).
6. We recommend using the original package for storage or covering the product with a suitable cloth or enclosure to protect it against dust.

Recycling + Disposal

The product comes in a package that protects it against damage during shipping. Keep the package until you are sure that all parts have been delivered and the product is functioning properly. Recycle the package afterwards.



WEEE symbol. Waste electrical product should not be disposed of with household waste. Please recycle where facilities exist. Check with your local authority or local store for recycling advice.

Battery Caution + Disposal

Always dispose of your battery pack according to federal, state, and local regulations. Contact a recycling agency in your area for recycling locations.

⚠ CAUTION! Even discharged battery packs contain some energy. Before disposing, use electrical tape to cover the terminals to prevent the battery pack from shorting, which could cause a fire or explosion.

⚠ WARNING! To reduce the risk of injury or explosion, never burn or incinerate a battery pack even if it is damaged, dead, or completely discharged. When burned, toxic fumes and materials are emitted into the surrounding atmosphere.

1. Batteries vary according to device. Consult your manual for specific information.
2. Install only new batteries of the same type in your product (where applicable).
3. Failure to insert batteries in the correct polarity, as indicated in the battery compartment or manual, may shorten the life of the batteries or cause batteries to leak.
4. Do not mix old and new batteries.
5. Do not mix Alkaline, Standard (Carbon-Zinc), or Rechargeable (Nickel Cadmium, Nickel Metal Hydride, or Lithium-Ion) batteries.
6. Do not dispose of batteries in fire.
7. Batteries should be recycled or disposed of as per state and local guidelines.

Service + Support

If your Sun Joe® 24V* IONMAX cordless hedge trimmer requires service or maintenance, please call the Snow Joe® + Sun Joe® customer service center at 1-866-SNOWJOE (1-866-766-9563).

Model + Serial Numbers

When contacting the company or reordering parts, you will need to provide the model and serial numbers of your product. These are found on the decal affixed to the housing or handle of your cordless hedge trimmer. Copy these numbers into the space provided below.

Record the following numbers from the housing or handle of your new product:	
Model #:	
2 4 V - H T 1 6 - L T E	
Serial #:	

XZ2600-0450

Federal Communications Commission (FCC)

⚠ WARNING! Any changes or modifications to this unit not expressly approved by the party responsible for compliance could void the user's authority to operate the equipment.

This device complies with part 15 of the FCC rules. Operation is subject to the following two conditions: (1) this device may not cause harmful interference, and (2) this device must accept any interference received, including interference that may cause undesired operation.

Class B Device:

NOTE: This equipment has been tested and found to comply with the limits for a Class B digital device, pursuant to part 15 of the FCC Rules.

These limits are designed to provide reasonable protection against harmful interference in a residential installation.

This equipment generates, uses and can radiate radio frequency energy and, if not installed and used in accordance with the instructions, may cause harmful interference to radio communications.

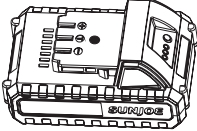

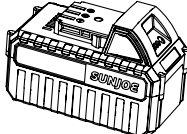
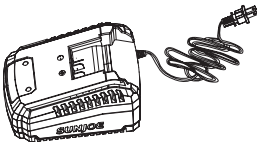
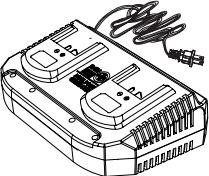
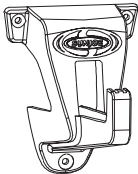
However, there is no guarantee that interference will not occur in a particular installation.

If this equipment does cause harmful interference to radio or television reception, which can be determined by turning the equipment off and on, the user is encouraged to try to correct the interference by one or more of the following measures:

- Reorient or relocate the receiving antenna.
- Increase the separation between the equipment and receiver.
- Connect the equipment to an outlet on a circuit different than the one the receiver is connected to.
- Consult the dealer or an experienced radio/TV technician for help

Optional Accessories

⚠ WARNING! ALWAYS use only authorized Snow Joe® + Sun Joe® replacement parts and accessories. NEVER use replacement parts or accessories that are not intended for use with this hedge trimmer. Contact Snow Joe® + Sun Joe® if you are unsure whether it is safe to use a particular replacement part or accessory with your hedge trimmer. The use of any other attachment or accessory can be dangerous and could cause injury or mechanical damage.

Accessories	Item	Model
	24V* IONMAX™ 2.5 Ah Lithium-Ion Battery	24VBAT-LT
	24V* IONMAX™ 4.0 Ah Lithium-Ion Battery	24VBAT
	24V* IONMAX™ 5.0 Ah Lithium-Ion Battery	24VBAT-XR
	24V* IONMAX™ Lithium-Ion Battery Quick Charger	24VCHRG-QC
	24V* IONMAX™ Lithium-Ion Battery Dual Port Charger	24VCHRG-DPC
	Universal Wall Bracket With Mounting Hardware	SJWB (Fits most Snow Joe® + Sun Joe® tools)

NOTE: Accessories are subject to change without any obligation on the part of Snow Joe® + Sun Joe® to provide notice of such changes. Accessories can be ordered online at sunjoe.com or via phone by contacting the Snow Joe® + Sun Joe® customer service center at 1-866-SNOWJOE (1-866-766-9563).



SNOW JOE® + SUN JOE® CUSTOMER PROMISE

ABOVE ALL ELSE, Snow Joe, LLC (“Snow Joe”) is dedicated to you, our customer. We strive to make your experience as pleasant as possible. Unfortunately, there are times when a Snow Joe®, Sun Joe®, Aqua Joe®, or Auto Joe® product (“Product”) does not work or breaks under normal operating conditions. We think it’s important that you know what you can expect from us. That’s why we have a Limited Warranty (“Warranty”) for our Products.

OUR WARRANTY:

Snow Joe warrants new, genuine, powered and non-powered Products to be free from defects in material or workmanship when used for ordinary household use for a period of two years from the date of delivery of the Product to the original, end-user purchaser when purchased from Snow Joe or from one of Snow Joe’s authorized sellers with proof of purchase. Because Snow Joe is unable to control the quality of its Products sold by unauthorized sellers, unless otherwise prohibited by law, this Warranty does not cover Products purchased from unauthorized sellers. If your Product does not work or there’s an issue with a specific part that is covered by the terms of this Warranty, Snow Joe will elect to either (1) send you a free replacement part, (2) replace the Product with a new or comparable product at no charge, or (3) repair the Product. How cool is that!

This Warranty gives you specific legal rights, and you may also have other rights which vary from State to State.

PRODUCT REGISTRATION:

Snow Joe strongly encourages you to register your Product. You can register online at snowjoe.com/register, or by printing and mailing in a registration card available online from our website, or by calling our Customer Service Department at **1-866-SNOWJOE (1-866-766-9563)**, or by e-mailing us at help@snowjoe.com. Failure to register your Product will not diminish your warranty rights. However, registering your Product will allow Snow Joe to better serve you with any of your customer service needs.

WHO CAN SEEK LIMITED WARRANTY COVERAGE:

This Warranty is extended by Snow Joe to the original purchaser and original owner of the Product.

WHAT IS NOT COVERED?

This Warranty does not apply if the Product has been used commercially or for non-household or rental applications. This Warranty also does not apply if the Product was purchased from an unauthorized seller. This Warranty also does not cover cosmetic changes that do not affect performance. Wearing parts like belts, augers, chains and tines are not covered under this Warranty, and can be purchased at snowjoe.com/support or by calling **1-866-SNOWJOE (1-866-766-9563)**.



Keep your warranty intact. Only use **CERTIFIED AUTHENTIC** Snow Joe®, Sun Joe®, Aqua Joe® + Auto Joe® replacement parts + accessories. Use of any other parts + accessories will void the warranty. Genuine parts + accessories can be found and purchased online at snowjoe.com/support by entering the model number of your product.



TM

sunjoe.com