



CORDLESS HEDGE TRIMMER

24V MAX* | 2.0 Ah | 18-INCH

A Division of Snow Joe®, LLC

Model 24V-HT18-LTE

Form No. SJ-24V-HT18-LTE-880E-MR2

IMPORTANT! Safety Instructions

All Operators Must Read These Instructions Before Use

Always follow these safety guidelines. Failure to do so may result in serious bodily injury or death.

General Power Tool Safety Warnings

⚠ WARNING Read all safety warnings and all instructions. Failure to follow the warnings and instructions may result in electric shock, fire and/or serious injury.

Save all warnings and instructions for future reference.

The term "power tool" in the warnings refers to your mains-operated (corded) power tool or battery-operated (cordless) power tool.

⚠ DANGER! This indicates a hazardous situation, which, if not followed, will result in serious injury or death.

⚠ WARNING! This indicates a hazardous situation, which, if not followed, could result in serious injury or death.

⚠ CAUTION! This indicates a hazardous situation, which, if not followed, could result in minor or moderate injury.

Work Area Safety

1. **Keep work area clean and well lit** – Cluttered or dark areas invite accidents.
2. **Do not operate power tools in explosive atmospheres, such as in the presence of flammable liquids, gases or dust** – Power tools create sparks which may ignite the dust or fumes.
3. **Keep children and bystanders away while operating a power tool** – Distractions can cause you to lose control.

Electrical Safety

1. **Power tool plugs must match the outlet. Never modify the plug in any way. Do not use any adapter plugs with earthed (grounded) power tools.** Unmodified plugs and matching outlets will reduce risk of electric shock.

2. **Avoid body contact with earthed or grounded surfaces, such as pipes, radiators, ranges and refrigerators** – There is an increased risk of electric shock if your body is earthed or grounded.
3. **Do not expose power tools to rain or wet conditions** – Water entering a power tool will increase the risk of electric shock.
4. **Do not abuse the cord. Never use the cord for carrying, pulling or unplugging the power tool. Keep cord away from heat, oil, sharp edges or moving parts.** Damaged or entangled cords increase the risk of electric shock.
5. **When operating a power tool outdoors, use an extension cord suitable for outdoor use.** Use of a cord suitable for outdoor use reduces the risk of electric shock.
6. **If operating a power tool in a damp location is unavoidable, use a residual current device (RCD) protected supply.** Use of an RCD reduces the risk of electric shock.

Personal Safety

1. **Stay alert, watch what you are doing and use common sense when operating a power tool. Do not use a power tool while you are tired or under the influence of drugs, alcohol or medication** – A moment of inattention while operating power tools may result in serious personal injury.
2. **Use personal protective equipment. Always wear eye protection** – Protective equipment such as dust mask, non-skid safety shoes, hard hat, or hearing protection used for appropriate conditions will reduce personal injuries.
3. **Prevent unintentional starting. Ensure the switch is in the off-position before connecting to power source and/or battery pack, picking up or carrying the tool.** – Carrying power tools with your finger on the switch or energizing power tools that have the switch on invites accidents.
4. **Do not overreach. Keep proper footing and balance at all times** – This enables better control of the power tool in unexpected situations.
5. **Dress properly. Do not wear loose clothing or jewelry. Keep your hair, clothing and gloves away from moving parts** – Loose clothes, jewelry or long hair can be caught in moving parts.

Power Tool Use + Care

- 1. Do not force the power tool. Use the correct power tool for your application** – The correct power tool will do the job better and safer at the rate for which it was designed.
- 2. Do not use the power tool if the switch does not turn it on and off** – Any power tool that cannot be controlled with the switch is dangerous and must be repaired.
- 3. Disconnect the plug from the power source and/or the battery pack from the power tool before making any adjustments, changing accessories, or storing power tools** – Such preventive safety measures reduce the risk of starting the power tool accidentally.
- 4. Store idle power tools out of the reach of children and do not allow persons unfamiliar with the power tool or these instructions to operate the power tool** – Power tools are dangerous in the hands of untrained users.
- 5. Maintain power tools. Check for misalignment or binding of moving parts, breakage of parts and any other condition that may affect the power tool's operation. If damaged, have the power tool repaired before use** – Many accidents are caused by poorly maintained power tools.
- 6. Keep cutting tools sharp and clean** – Properly maintained cutting tools with sharp cutting edges are less likely to bind and are easier to control.
- 7. Use the power tool, accessories and tool bits etc. in accordance with these instructions, taking into account the working conditions and the work to be performed.** – Use of the power tool for operations different from those intended could result in a hazardous situation.

Battery tool use and care

1. Recharge only with the charger specified by the manufacturer. A charger that is suitable for one type of battery pack may create a risk of fire when used with another battery pack.
2. Use power tools only with specifically designated battery packs. Use of any other battery packs may create a risk of injury and fire.
3. Do not short circuit – When battery pack is not in use, keep it away from other metal objects, like paper clips, coins, keys, nails, screws or other small metal objects, that can make a connection from one terminal to another. Shorting the battery terminals together may cause burns or a fire.
4. Under abusive conditions, liquid may be ejected from the battery; avoid contact. If contact accidentally occurs, flush with water. If liquid contacts eyes, additionally seek medical help. Liquid ejected from the battery may cause irritation or burns.
5. The battery pack supplied with your hedge trimmer is only partially charged. The battery pack has to be charged completely before you use the tool for the first time.


6. For optimum battery performance, avoid low discharge cycles by charging the battery pack frequently.
7. Store the battery pack in a cool place, ideally at 77°F (25°C) and charged fully.
8. Lithium-ion batteries are subject to a natural aging process. The battery pack must be replaced at the latest when its capacity falls to just 80% of its capacity when new. Weakened cells in an aged battery pack are no longer capable of meeting the high power requirements needed for the proper operation of your hedge trimmer, and therefore pose a safety risk.
9. Do not throw battery packs into an open fire as this poses a risk of explosion.
10. Do not ignite the battery pack or expose it to fire.
11. Do not exhaustively discharge batteries. Exhaustive discharge will damage the battery cells. The most common cause of exhaustive discharge is lengthy storage or non-use of partially discharged batteries. Stop working as soon as the performance of the battery falls noticeably or the electronic protection system triggers. Place the battery pack in storage only after it has been fully charged.
12. Protect batteries and the tool from overloads. Overloads will quickly result in overheating and cell damage inside the battery housing even if this overheating is not apparent externally.
13. Avoid damage and shocks. Immediately replace batteries that have been dropped from a height of more than one meter or those that have been exposed to violent shocks, even if the housing of the battery pack appears to be undamaged. The battery cells inside the battery may have suffered serious damage. In such instances, please read the waste disposal information for proper battery disposal.
14. If the battery pack suffers overloading and overheating, the integrated protective cutoff will switch off the equipment for safety reasons.
IMPORTANT! Do not press the ON/OFF switch any more if the protective cut-off has been activated. This may damage the battery pack.
15. Do not use a battery pack or appliance that is damaged or modified. Damaged or modified batteries may exhibit unpredictable behavior resulting in fire, explosion or risk of injury.
16. Do not expose a battery pack or appliance to fire or excessive temperature. Exposure to fire or temperature above 266°F (130°C) may cause explosion.
17. Follow all charging instructions and do not charge the battery pack or appliance outside of the temperature range specified in the instructions. Charging improperly or at temperatures outside of the specified range may damage the battery and increase the risk of fire.
18. **Use power tools only with specifically designated battery packs.** Use of any other battery packs may create a risk of injury and fire.

Service

Have your power tool serviced by a qualified repair person using only identical replacement parts. This will ensure that the safety of the power tool is maintained.

Additional Safety Rules for Hedge Trimmer

1. Keep all parts of the body away from the cutter blade. Do not remove cut material or hold material to be cut when blades are moving. Make sure the switch is off when clearing jammed material. Blades coast after turn off. A moment of inattention while operating the hedge trimmer may result in serious personal injury.
2. Carry the hedge trimmer by the handle with the cutting blade stopped. Proper handling of the hedge trimmer will reduce possible personal injury from the cutter blades. When transporting or storing the hedge trimmer always fit the cutting device cover.
3. Hold the power tool by insulated gripping surfaces only, because the cutter blade may contact hidden wiring or its own cord. Cutter blades contacting a "live" wire may make exposed metal parts of the power tool "live" and could give the operator an electric shock.

 **DANGER!** Keep hands away from blade. Contact with blade will result in serious personal injury.

4. Remove any blade that has been damaged. Always make sure that the blade is installed correctly and securely fastened before each use. Failure to do so can cause serious injury.
5. Maintain a firm grip on both handles while cutting with the blade. Keep the blade away from body.
6. Hold hedge trimmer properly, e.g., with both hands if two handles are provided. Loss of control can cause personal injury.
7. Check the hedge for foreign objects before operation, e.g., center fences. Take care that the cutting device does not come in contact with wire or other metal objects.
8. Service on the product must be performed by qualified repair personnel only. Service or maintenance performed by unqualified personnel could result in injury to the user or damage to the product.
9. Use the hedge trimmer and accessories in accordance with these instructions, taking into account the working conditions and the work to be performed. Use of the power tool for operations different from intended use could lead to a hazardous situation.
10. Do not touch moving hazardous parts before the battery pack is removed and the moving hazardous parts have come to a complete stop.
11. Do not use the machine in bad weather conditions especially when there is a risk of lightning.

12. Inspect the area to be cut and remove any foreign objects that will influence your cutting. If the foreign objects can not be removed, e.g. wire fences, please mark and remember it to avoid touching them during cutting.

Training

1. Read the instructions carefully. Be familiar with the controls and the proper use of the product.
2. Never allow people unfamiliar with these instructions or children to use the product. Local regulations can restrict the age of the operator.
3. Keep in mind that the operator or user is responsible for accidents or hazards occurring to other people or their property.

Preparation

1. This product can cause serious injuries. Read the instructions carefully for the correct handling, preparation, maintenance, starting and stopping of the product. Become familiar with all controls and the proper use of the product.
2. Never allow children to use the hedge trimmer.
3. Beware of overhead power lines.
4. Never operate the product while people, especially children, or pets are nearby.
5. Dress properly. Do not wear loose clothing or jewelry, which can be caught in moving parts. Use of sturdy gloves, non-skid footwear and safety glasses is recommended.
6. Wear eye protection and stout shoes at all times while operating the product.
7. If the cutting attachment strikes any foreign object or the product starts making any unusual noise or vibration, switch the product off, remove the battery, allow the product to stop and take the following steps:
 - inspect for damage;
 - check for, and tighten, any loose parts;
 - have any damaged parts replaced or repaired with parts having equivalent specifications.

Operation

1. Use the product only in daylight or good artificial light.
2. Never operate the product with damaged guards or shields or without guards or shields in place.
3. Keep hands and feet away from the cutting device at all times and especially when switching on the motor.
4. Before using the product and after any impact, check for signs of wear or damage and repair as necessary.
5. Always remove the battery
 - whenever leaving the product unattended;
 - adjusting the working position of the cutting device;
 - before clearing a blockage;

- before checking, cleaning or working on the product;
 - after striking a foreign object;
 - whenever the product starts vibrating abnormally.
6. Ensure that the hedge trimmer is correctly located in a designated working position before starting the motor.
 7. While operating the hedge trimmer, always ensure that the operating position is safe and secure, especially when using steps or a ladder.
 8. Do not operate the hedge trimmer with a damaged or excessively worn cutting device.
 9. Always ensure that all handles and guards are fitted when using the hedge trimmer. Never attempt to use an incomplete hedge trimmer or one fitted with an unauthorized modification.
 10. Always use two hands to operate a hedge trimmer fitted with two handles.
 11. Always be aware of your surroundings and stay alert for possible hazards of which you may not be aware due to the noise of the product.
 12. Take care against injury to feet and hands from the cutting device.
 13. Always ensure that the air vents are kept clear of debris.
 14. Wear slip-resistant foot protection and protective clothing when using this product.
 15. Always keep proper footing and operate the product only when standing on a fixed, secure and level surface. Change working positions regularly to avoid tiredness and ensure a comfortable working position at all times.
 16. Never use replacement parts or accessories not provided or recommended by the manufacturer.
 17. The use of this product may be restricted by regional or local regulations.

Vibration + Noise Reduction

To reduce the impact of noise and vibration emission, limit the time of operation, use low-vibration and low-noise operating modes as well as wear personal protective equipment.

Take the following points into account to minimise the vibration and noise exposure risks.

1. Only use the product as intended by its design and these instructions.
2. Ensure that the product is in good condition and well maintained.
3. Use correct attachments for the product and ensure they are in good condition.
4. Keep tight grip on the handles/grip surface.
5. Maintain this product in accordance with these instructions and keep it well lubricated (where appropriate).

6. Plan your work schedule to spread any high vibration tool use across a longer period of time.

Emergency

Familiarize yourself with the use of this product by means of this instruction manual. Memorize the safety directions and follow them to the letter. This will help to prevent risks and hazards.

1. Always be alert when using this product, so that you can recognize and handle risks early. Fast intervention can prevent serious injury and damage to property.
2. Switch off and remove the battery if there are malfunctions. Have the product checked by a qualified professional and repaired, if necessary, before you operate it again.

Residual Risks

Even if you are operating this product in accordance with all the safety requirements, potential risks of injury and damage remain. The following dangers can arise in connection with the structure and design of this product:

1. Health defects resulting from vibration emission if the product is being used over long periods of time or not adequately handled and properly maintained.
2. Injuries and damage to property due to broken cutting attachments or the sudden impact of hidden objects during use.
3. Danger of injury and property damage caused by flying objects.

⚠ WARNING! This product produces an electromagnetic field during operation. This field may under some circumstances interfere with active or passive medical implants! To reduce the risk of serious or fatal injury, we recommend persons with medical implants to consult their doctor and the medical implant manufacturer before operating this product.

Battery & Charger Safety Instructions

We pay a great deal of attention to the design of every battery pack to ensure that we supply you with batteries that are safe, durable and have a high energy density. The battery cells have a wide range of safety devices. Each individual cell is initially formatted and its electrical characteristic curves are recorded. This data is then used exclusively to be able to assemble the best possible battery packs.

Despite all the safety precautions, caution must always be exercised when handling batteries. The following points must be obeyed at all times to ensure safe use. Safe use can only be guaranteed if undamaged cells are used. Incorrect handling of the battery pack can cause cell damage.

IMPORTANT! Analyses confirm that incorrect use and poor care of high-performance batteries are the main factors responsible for personal and/or product damage.

⚠️ WARNING! Use only approved replacement batteries; other batteries may damage the hedge trimmer and cause it to malfunction.

⚠️ CAUTION! To reduce the risk of injury, charge the 24V iON+ lithium-ion battery pack only in its designated 24V iON+ lithium-ion charger. Other types of chargers present risk of fire, personal injury and damage. Do not wire a battery pack to a power supply plug or car cigarette lighter. Such misuse will permanently disable or damage the battery pack.

- **Avoid dangerous environments** – Do not charge the battery pack in rain, snow or in damp or wet locations. Do not use the battery pack or charger in the presence of explosive atmospheres (gaseous fumes, dust or flammable materials) because sparks may be generated when inserting or removing the battery pack, which could lead to a fire.
- **Charge in a well-ventilated area** – Do not block the charger vents. Keep them clear to allow for proper ventilation. Do not allow smoking or open flames near a charging battery pack. Vented gases may explode.
NOTE: The safe temperature range for the battery is 41°F – 105°F (5°C – 40.5°C). Do not charge the battery outside in freezing weather; charge it at room temperature.
- **Maintain charger cord** – When unplugging the charger, pull the plug, not the cord, from the receptacle to reduce the risk of damage to the electrical plug and cord. Never carry the charger by its cord or yank it by the cord to disconnect it from the receptacle. Keep the cord away from heat, oil and sharp edges. Make sure the cord will not be stepped on, tripped over or subjected to damage or stress when the charger is in use. Do not use the charger with a damaged cord or plug. Replace a damaged charger immediately.
- **Do not use an extension cord unless it is absolutely necessary** – Using the wrong, damaged or improperly wired extension cord poses a risk of fire and electric shock. If an extension cord must be used, plug the charger into a properly wired 16 gauge or larger extension cord with the female plug matching the male plug on the charger. Make sure that the extension cord is in good electrical condition.
- **Charger 24VCHRG-AC is rated for 100-240 volt AC only** – The charger must be plugged into an appropriate receptacle.
- **Use only recommended attachments** – Use of an attachment not recommended or sold by the battery charger or battery pack manufacturer may result in risk of fire, electric shock or personal injury.
- **Unplug charger when not in use** – Make sure to remove battery packs from unplugged chargers.

⚠️ WARNING! To reduce the risk of electric shock, always unplug the charger before performing any cleaning or maintenance. Do not allow water to flow into the charger. Use a Ground Fault Circuit Interrupter (GFCI) to reduce shock hazards.

- **Do not burn or incinerate battery packs** – Battery packs may explode, causing personal injury or damage. Toxic fumes and materials are created when battery packs are burned.
- **Do not crush, drop or damage battery packs** – Do not use the battery pack or charger if they have sustained a sharp blow, been dropped, run over or have been damaged in any way (i.e. pierced with a nail, hit with a hammer, stepped on, etc.).
- **Do not disassemble** – Incorrect reassembly may pose a serious risk of electric shock, fire or exposure to toxic battery chemicals. If the battery or charger are damaged, please contact an authorized Snow Joe® + Sun Joe® dealer or call the Snow Joe® + Sun Joe® customer service center at 1-866-SNOWJOE (1-866-766-9563).
- **Battery chemicals cause serious burns** – Never let a damaged battery pack contact the skin, eyes or mouth. If a damaged battery pack leaks battery chemicals, use rubber or neoprene gloves to safely dispose of it. If skin is exposed to battery fluids, wash the affected area with soap and water and rinse with vinegar. If eyes are exposed to battery chemicals, immediately flush with water for 20 minutes and seek medical attention. Remove and dispose of contaminated clothing.
- **Store your battery pack and charger in a cool, dry place** – Do not store the battery pack or charger where temperatures may exceed 105°F (40.5°C), such as in direct sunlight or inside a vehicle or metal building during the summer.

Information about the charger and the charging process

1. Please check the data marked on the rating plate of the battery charger. Be sure to connect the battery charger to a power supply with the voltage marked on the rating plate. Never connect it to a different mains voltage.
2. Protect the battery charger and its cord from damage. Keep the charger and its cord away from heat, oil and sharp edges. Have damaged cords repaired without delay by a qualified technician at an authorized Snow Joe® + Sun Joe® dealer or call the Snow Joe® + Sun Joe® customer service center at 1-866-SNOWJOE (1-866-766-9563).
3. Electrical plugs must match the outlet. Never modify the plug in any way. Do not use any adapter plugs with grounded appliances. Unmodified plugs and matching outlets will reduce the risk of electric shock.









4. Keep the battery charger, battery pack(s) and the cordless tool out of the reach of children.
5. Do not use the supplied battery charger to charge other cordless tools.
6. During periods of heavy use, the battery pack will become warm. Allow the battery pack to cool to room temperature before inserting it into the charger to recharge.
7. Do not overcharge batteries. Do not exceed the maximum charging times. These charging times only apply to discharged batteries. Frequent insertion of a charged or partially charged battery pack will result in overcharging and cell damage. Do not leave batteries in the charger for days on end.
8. Never use or charge batteries if you suspect that it has been more than 12 months since the last time they were charged. There is a high probability that the battery pack has already suffered dangerous damage (exhaustive discharge).
9. Charging batteries at a temperature below 41°F (5°C) will cause chemical damage to the cells and may cause a fire.
8. Prevent the lithium-ion battery pack from freezing. Battery packs that were stored below 32°F (0°C) for more than 60 minutes must be discarded.
9. When handling batteries, be wary of electrostatic charge. Electrostatic discharges can damage the electronic protection system and the battery cells. Avoid electrostatic charging and never touch the battery poles.

Protection from environmental influences

1. Wear suitable work clothes. Wear safety goggles.
2. Protect your cordless tool and the battery charger from moisture and rain. Moisture and rain can cause dangerous cell damage.
3. Do not use the cordless tool or the battery charger near vapors and flammable liquids.
4. Use the battery charger and cordless tools only in dry conditions and at an ambient temperature of 41°F – 105°F (5°C – 40.5°C).
5. Do not keep the battery charger in places where the temperature is liable to reach over 105°F (40.5°C). In particular, do not leave the battery charger in a car that is parked in the sunshine.
6. Protect batteries from overheating. Overloads, overcharging and exposure to direct sunlight will result in overheating and cell damage. Never charge or work with batteries that have been overheated – replace them immediately, if possible.
7. Store the charger and your cordless tool only in dry locations with an ambient temperature of 41°F – 105°F (5°C – 40.5°C). Store your lithium-ion battery pack in a cool, dry place at a temperature of 77°F (25°C). Protect the battery pack, charger and cordless tool from humidity and direct sunlight. Only place fully charged batteries in storage.

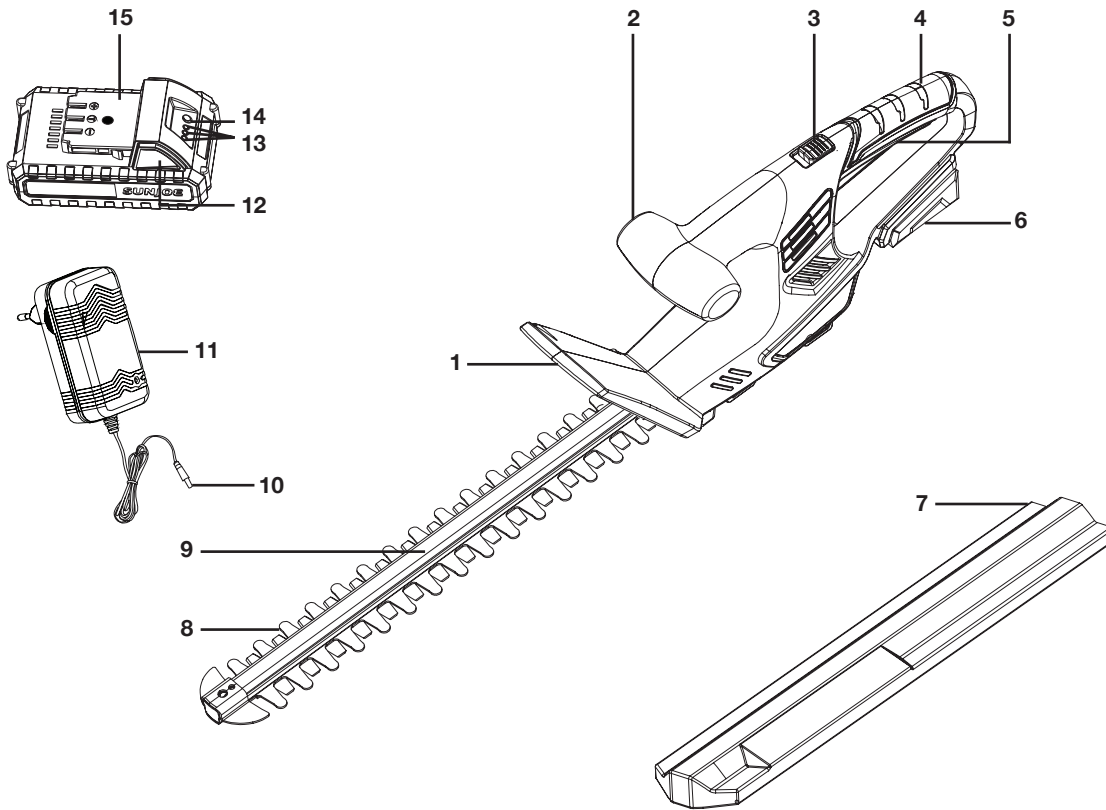
Safety Symbols

The following table depicts and describes safety symbols that may appear on this product. Read, understand, and follow all instructions on the machine before attempting to assemble and operate.

Symbols	Descriptions	Symbols	Descriptions
	READ THE OPERATOR'S MANUAL(S) – Read, understand, and follow all instructions in the user manual(s) before attempting to assemble and operate.		SAFETY ALERT – Indicates a precaution, a warning, or a danger.
	WARNING! Do not expose the unit to rain or wet conditions.		WEAR EYE AND HEARING PROTECTION – For protection against injury, wear ear defenders and safety goggles.
	Wear protective gloves and non-slip footwear when using the machine and handling debris.		DANGER! ROTATING BLADES – Keep hands and feet away from openings while the trimmer is running.
	Keep bystanders a safe distance away from the work area.		Indoor use only. Only use battery charger indoors.

Know Your Cordless Hedge Trimmer

Read the owner's manual and safety instructions carefully before operating the cordless hedge trimmer. Compare the illustration below to the cordless hedge trimmer in order to become familiar with the location of the various controls and adjustments. Save this manual for future reference.



- | | | |
|------------------------|---|--|
| 1. Safety guard | 7. Blade cover | 12. Push lock button |
| 2. Front handle | 8. Blade | 13. Battery charge level indicators |
| 3. Safety lock switch | 9. Blade support | 14. Push button for battery indicator |
| 4. Rear handle | 10. Charger plug | 15. 24V iON+ lithium-ion battery (24VBAT-LTE) featuring exclusive EcoSharp® technology |
| 5. On/Off trigger | 11. 24V iON+ lithium-ion battery charger (24VCHRG-AC) | |
| 6. Battery compartment | | |

Technical Data

Motor	250 W	Blade Movement	Dual-action
Battery Voltage Max*	24V D.C.	Blade Material	65Mn Steel blades
Battery Capacity	2.0 Ah	Blade Length	18 in. (45.7 cm)
Charger Input	100 – 240V AC, 50 – 60 Hz, 50 W	Cutting Diameter Max	0.55 in. (14 mm)
Charger Output	25.2V D.C. $\overline{=}$ 1400 mA	No-load speed	2800 rpm
Charging Time Max	1 hr 20 min	Net Weight	5 lbs (2.3 kg)

*Initial no-load voltage, when fully charged, peaks at 24 volts; nominal voltage under typical load is 21.6 volts.

Unpacking

Carton Contents

- Cordless hedge trimmer
- Blade cover
- 24V iON+ lithium-ion battery
- 24V iON+ lithium-ion charger
- Manual with registration card

1. Carefully remove the cordless hedge trimmer and check to see that all of the above items are supplied.
2. Inspect the product carefully to make sure no breakage or damage occurred during shipping. If you find damaged or missing parts, DO NOT return the unit to the store. Please call the Snow Joe® + Sun Joe® customer service center at 1-866-SNOWJOE (1-866-766-9563).

NOTE: Do not discard the shipping carton and packaging material until you are ready to use the cordless hedge trimmer. The packaging is made of recyclable materials. Properly dispose of these materials in accordance with local regulations or save the packaging for long-term product storage.

IMPORTANT! The equipment and packaging material are not toys. Do not let children play with plastic bags, foils, or small parts. These items can be swallowed and pose a suffocation risk!





Battery Pack Operation

The equipment is powered by a lithium-ion battery. The battery pack is completely sealed and maintenance free.

Battery Charge Level Indicator

The battery pack is equipped with a push button for checking the charge level. Simply press the push button to read off the battery charge level from the LEDs of the battery indicator:

- All 3 level monitoring LEDs are lit: Battery charge level is maximum.
- 3 level monitoring LEDs are lit: Battery charge level is high.
- 2 level monitoring LEDs are lit: Battery charge level is decreasing. Stop work as soon as possible.
- 1 level monitoring LED is lit: Battery is flat. Stop work IMMEDIATELY and charge the battery. Otherwise the battery's service life will be greatly shortened.

Lights	Light Indicators
	Charge level button
	The battery is at 30% capacity and requires charging
	The battery is at 60% capacity and requires charging soon
	The battery is at full capacity

NOTE: If the charge level button does not appear to be working, place the battery pack on the charger and charge as needed.

Immediately after using the battery pack, the charge level button may display a lower charge than it will if checked a few minutes later. The battery cells "recover" some of their charge after resting.

Charger Operation

⚠ WARNING! Charge only 24V iON+ lithium-ion battery packs with its compatible 24V iON+ lithium-ion charger. Other types of batteries may cause personal injury and damage. To reduce the risk of electric shock, do not allow water to flow into the charger's AC/DC plug.

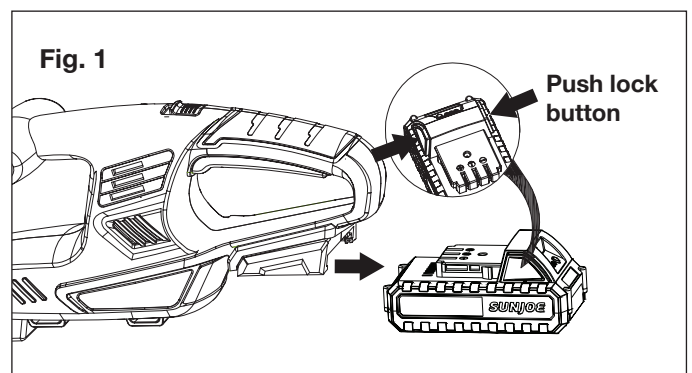
When to Charge the iON+ 24VBAT-LTE Lithium-iON Battery

NOTE: The iON+ 24VBAT-LTE lithium-ion battery packs do not develop a "memory" when charged after only a partial discharge. Therefore, it is not necessary to run down the battery pack before inserting the charger plug.

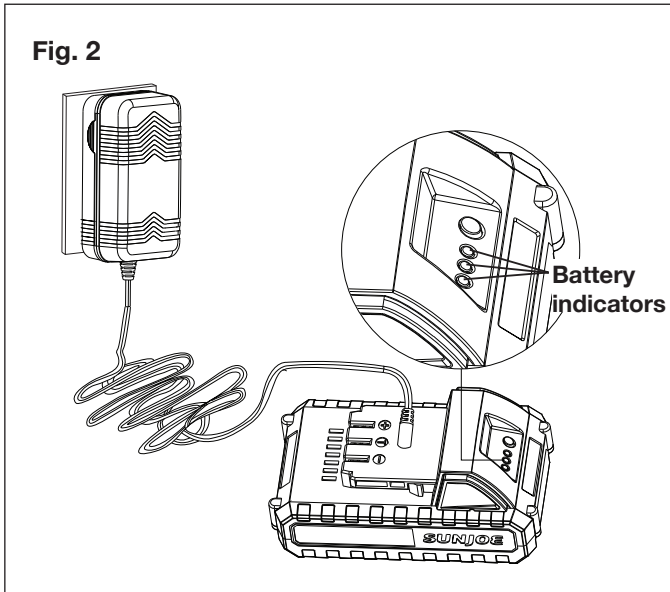
- Use the battery indicator lights to determine when to charge your iON+ 24VBAT-LTE lithium-ion battery pack.
- You can "top-off" your battery pack's charge before starting a big job or after a long day of use.

Charging the Battery

1. Push the push lock buttons on the battery to pull the battery pack out of the equipment (Fig. 1).



2. Check that the mains voltage is the same as that marked on the rating plate of the battery charger. Then, plug the charger adapter into an appropriate AC power outlet. Connect the charger plug into the charge socket of the battery to start charging (Fig. 2).



3. The battery will take approximately 1 hour 20 minutes to charge. The battery indicator LEDs will twinkle and illuminate one by one during the charging process. Unplug the charger immediately when the 3 LEDs are all illuminated.

⚠ CAUTION! FIRE HAZARD. When disconnecting the charger from the battery, be sure to unplug the charger from the outlet first, then disconnect the charger from the battery.

⚠ WARNING! This charger does not automatically turn off when the battery is fully charged. Please take care not to leave the battery plugged into the charger. Switch off or unplug the charger at the mains when charging is complete.

4. Timely recharging of the battery will help prolong the battery's life. You must recharge the battery pack when you notice a drop in the equipment's power.

IMPORTANT! Never allow the battery pack to become fully discharged as this will cause irreversible damage to the battery.

Assembly

This cordless hedge trimmer comes completely assembled.

Operation

⚠ WARNING! Always wear safety goggles or safety glasses with side shields when operating power tools. Failure to do so could result in objects being thrown into your eyes, resulting in possible serious injury.

⚠ WARNING! Do not use any attachments or accessories not recommended by the manufacturer of this product. The use of attachments or accessories not recommended can result in serious personal injury.

Holding the Trimmer

Before operating the hedge trimmer, stand in the operating position and perform the following checks:

1. You are wearing all of the necessary personal protective equipment, including protective gloves, non-slip footwear, safety goggles, ear defenders, and close-fitting clothing.
2. You are holding the unit firmly with both hands. Your right arm is slightly bent and is holding the rear handle, and your left arm is straight and is holding the front handle.
3. You are standing with proper footing and are holding the hedge trimmer so that the cutting blades are always away from your body.

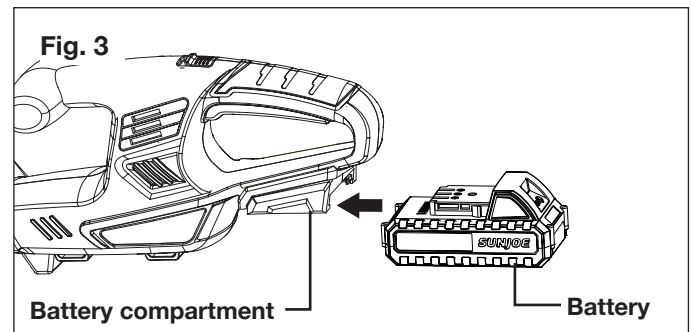
⚠ WARNING! Always keep both hands on the hedge trimmer handles. Never hold shrubs with one hand and operate the hedge trimmer with the other. Improper handling of the hedge trimmer could result in serious injury.

Starting + Stopping

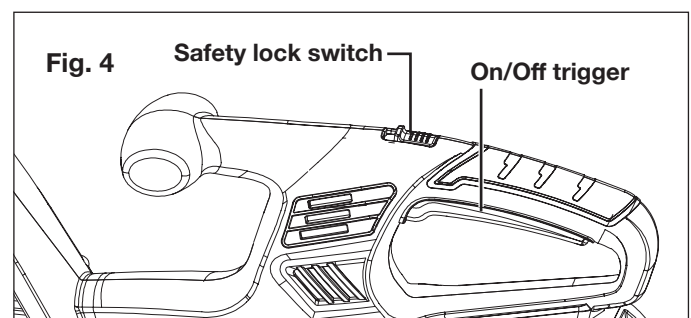
⚠ WARNING! Ensure the blade does not touch any objects before turning on the hedge trimmer.

⚠ CAUTION! Starting, stopping, and restarting a DC motor repeatedly within a few seconds can generate a great deal of heat and damage the motor. To protect the life of your cordless hedge trimmer, always wait at least five seconds after stopping before restarting the hedge trimmer.

1. Remove the blade cover and insert the battery in the battery compartment (Fig. 3).



2. To start the tool, slide the safety lock switch upward, then squeeze the On/Off trigger. (Fig. 4).



3. To turn the tool OFF, release the On/Off trigger (Fig. 4).

NOTE: Do not press the On/Off trigger until you are ready to make a cut.

Cutting Procedures

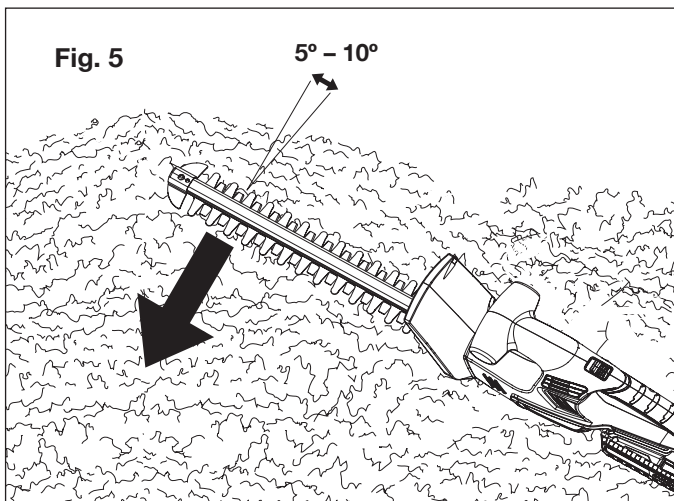
⚠ WARNING! Never cut near electric cords or power lines. If the blade jams on any electrical cable, **DO NOT TOUCH THE BLADE. IT CAN CONDUCT ELECTRICITY AND FATALLY SHOCK YOU!** Instead, continue to hold the hedge trimmer by the insulated rear handle, and lay it down and away from you in a safe manner. Make sure that electrical service to the damaged electrical cable is disconnected before attempting to free the hedge trimmer blade.

Contact with the blade, other conductive parts of the hedge trimmer, or live electric cords or power lines will result in death by electrocution or serious injury.

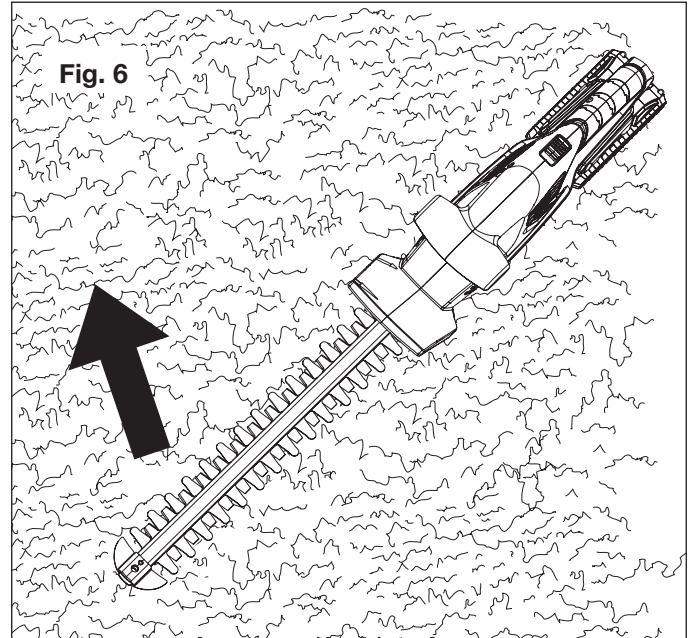
⚠ WARNING! Do not allow familiarity with this type of product to make you careless. Remember that a careless fraction of a second is sufficient to inflict serious injury.

⚠ WARNING! Clear the area to be cut before each use. Remove all objects such as cords, lights, wire, or loose string which can become entangled in the cutting blade and create a risk of electric shock and serious personal injury.

1. When trimming new growth, use a wide sweeping action so that the stems are fed directly into the blade. Do not try to cut branches that are thicker than 0.55 in. (1.4 cm) or those that are obviously too large to feed into the blade. Use lopping shears, a hand saw, or a pruning saw to cut out thick branches first. If a substantial cut is necessary, cut a little at a time in several passes. Cut both sides of the hedge first and then the top.
2. To perform a horizontal cut, hold the hedge trimmer with the blade tilted 5-10 degrees to your cutting object; this makes the operation easier and ensures a better cut (Fig. 5).



3. To perform a vertical cut, start trimming at the bottom and sweep up for even cutting. Swing the blades in an arc towards the outsides of the hedge so that the cuttings are swept on the ground (Fig. 6).



Cutting Tips

⚠ WARNING! Hold the tool firmly in both hands. Always keep your dominant hand on the switch handle and your non-dominant hand on the front. Never hold the tool by the blade guard. Keep unit below waist level.

- A wide, sweeping motion, feeding the blade teeth through the twigs is most effective. A slight downward tilt of the blade in the direction of the motion gives the best cut.
- Begin at the bottom and sweep up.
- Do not force the hedge trimmer through heavy shrubbery. This can cause the blades to bind and slow down. If the blades slow down, reduce the pace.
- If blades do become jammed, stop the motor, allow the blades to stop, and remove the battery before attempting to remove the obstruction.
- If desired, you can use a string to help cut your hedge level. Decide how high you want the hedge. Stretch a piece of string along the hedge at the desired height. Trim the hedge just above the guide line of string. Trim the side of a hedge so that it will be slightly narrower at the top. More of the hedge will be exposed when shaped this way, and it will be more uniform.
- Wear gloves when trimming thorny or prickly growth. When trimming new growth, use a wide sweeping action, so that the stems are fed directly into the cutting blade. Older growth will have thicker stems and will be trimmed easiest by using a sawing movement.

Care + Maintenance

⚠ ATTENTION! Before performing any cleaning or maintenance, remove the battery from the battery compartment. Never touch the moving blades.

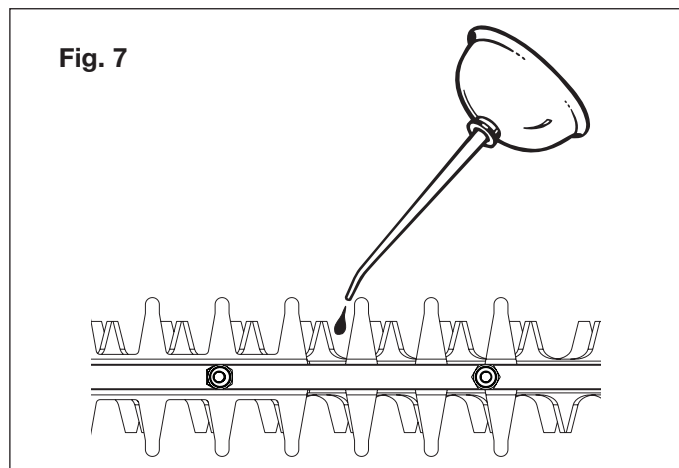
⚠ WARNING! Never spray or clean the hedge shears with water.

1. Clean the hedge shears with a dry towel, particularly the ventilation slits, after each use, or use a brush in the event of heavy soiling. Spray the blades with lightweight machine oil after each use.
2. Store the hedge trimmer in the blade cover provided. Store the hedge trimmer in a dry location out of the reach of children.
3. When servicing, use only identical replacement parts. Use of any other parts can create a hazard or cause product damage. Please contact an authorized Snow Joe® + Sun Joe® dealer or call the Snow Joe® + Sun Joe® customer service center at 1-866-SNOWJOE (1-866-766-9563) for all replacement parts and accessories for your product.

Lubricate the Blades

For easier operation and longer blade life, lubricate the hedge trimmer blade before and after each use.

1. Stop the motor and remove the battery.
2. Lay the hedge trimmer on a flat surface. Apply any lightweight machine oil along the edge of the top blade (Fig. 7).



If you will be using the hedge trimmer for an extended period, it is advisable to stop work intermittently in order to re-oil the blade.

NOTE: Do not oil while the hedge trimmer is running.

1. Stop the motor and remove the battery.
2. Lubricate the hedge trimmer as described above.
3. Insert the battery and resume use.

Sharpening the Blades

The blade must be re-sharpened if cutting performance and behavior begin to deteriorate (i.e. if blades frequently snag on branches).

1. Stop the motor and remove the battery. Clamp the blade in a vise.

2. File the exposed cutting surface of each blade tooth with a smooth round file. Be sure to retain the original angle of the tooth when filing.
3. Remove the blade from the vise, and power on the motor until the unsharpened edges of the remaining blade teeth are exposed.
4. Remove the battery and repeat the sharpening procedure as necessary.

⚠ WARNING! Do not operate the hedge trimmer with dull or damaged cutting blades. This may cause overload and will give unsatisfactory cutting results.

Cleaning the Hedge Trimmer

1. Stop the motor and remove the battery.
2. Clean dirt and debris from the body of the hedge trimmer using a damp cloth and mild detergent.

NOTE: Do not use any strong detergents on the plastic housing or the handle. These parts can be damaged by certain aromatic oils such as pine and lemon, and by solvents such as kerosene.

Storage

1. Stop the motor and remove the battery.
2. Clean the hedge trimmer thoroughly before storing.
3. Always place the blade cover on the blade before storing or transporting the hedge trimmer. Use caution to avoid the sharp teeth of the blade.
4. Store the hedge trimmer indoors, in a dry place that is inaccessible to children. Keep away from corrosive agents such as garden chemicals and de-icing salts.
5. Always store the hedge trimmer in a place that is inaccessible to children. The ideal storage temperature is between 50°F and 86°F (10°C and 30°C).
6. We recommend using the original package for storage or covering the product with a suitable cloth or enclosure to protect it against dust.

Recycling + Disposal

The product comes in a package that protects it against damage during shipping. Keep the package until you are sure that all parts have been delivered and the product is functioning properly. Recycle the package afterwards.



WEEE symbol. Waste electrical product should not be disposed of with household waste. Please recycle where facilities exist. Check with your local authority or local store for recycling advice.

Battery Caution + Disposal

Always dispose of your battery pack according to federal, state, and local regulations. Contact a recycling agency in your area for recycling locations.

⚠ CAUTION! Even discharged battery packs contain some energy. Before disposing, use electrical tape to cover the terminals to prevent the battery pack from shorting, which could cause a fire or explosion.

⚠ WARNING! To reduce the risk of injury or explosion, never burn or incinerate a battery pack even if it is damaged, dead, or completely discharged. When burned, toxic fumes and materials are emitted into the surrounding atmosphere.

1. Batteries vary according to device. Consult your manual for specific information.
2. Install only new batteries of the same type in your product (where applicable).
3. Failure to insert batteries in the correct polarity, as indicated in the battery compartment or manual, may shorten the life of the batteries or cause batteries to leak.
4. Do not mix old and new batteries.
5. Do not mix Alkaline, Standard (Carbon-Zinc), or Rechargeable (Nickel Cadmium, Nickel Metal Hydride, or Lithium-Ion) batteries.
6. Do not dispose of batteries in fire.
7. Batteries should be recycled or disposed of as per state and local guidelines.

Service + Support

If your Sun Joe® 24V iON+ cordless hedge trimmer requires service or maintenance, please call the Snow Joe® + Sun Joe® customer service center at 1-866-SNOWJOE (1-866-766-9563).

Model + Serial Numbers

When contacting the company or reordering parts, you will need to provide the model and serial numbers of your product. These are found on the decal affixed to the housing or handle of your cordless hedge trimmer. Copy these numbers into the space provided below.

Record the following numbers from the housing or handle of your new product:	
Model #:	
2 4 V - H T 1 8 - L T E	
Serial #:	

24VCHRG-AC

Federal Communications Commission (FCC)

⚠ WARNING! Any changes or modifications to this unit not expressly approved by the party responsible for compliance could void the user's authority to operate the equipment.

Class B device:

NOTE: This equipment has been tested and found to comply with the limits for a Class B digital device, pursuant to part 15 of the FCC Rules.

These limits are designed to provide reasonable protection against harmful interference in a residential installation.

This equipment generates, uses and can radiate radio frequency energy and, if not installed and used in accordance with the instructions, may cause harmful interference to radio communications.

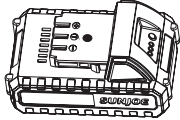
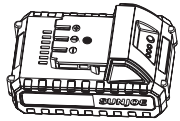


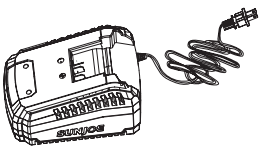
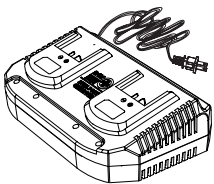

However, there is no guarantee that interference will not occur in a particular installation.

If this equipment does cause harmful interference to radio or television reception, which can be determined by turning the equipment off and on, the user is encouraged to try to correct the interference by one or more of the following measures:

- Reorient or relocate the receiving antenna.
- Increase the separation between the equipment and receiver.
- Connect the equipment into an outlet on a circuit different from that to which the receiver is connected.
- Consult the dealer or an experienced radio/TV technician for help.

Optional Accessories

⚠️ WARNING! ALWAYS use only authorized Snow Joe® + Sun Joe® replacement parts and accessories. NEVER use replacement parts or accessories that are not intended for use with this hedge trimmer. Contact Snow Joe® + Sun Joe® if you are unsure whether it is safe to use a particular replacement part or accessory with your hedge trimmer. The use of any other attachment or accessory can be dangerous and could cause injury or mechanical damage.

Accessories	Item	Model
	24V iON+ 2.0 Ah Lithium-Ion Battery	24VBAT-LTE
	24V iON+ 2.5 Ah Lithium-Ion Battery	24VBAT-LT
	24V iON+ 4.0 Ah Lithium-Ion Battery	24VBAT
	24V iON+ 5.0 Ah Lithium-Ion Battery	24VBAT-XR
	24V iON+ Lithium-Ion Battery Quick Charger	24VCHRG-QC
	24V iON+ Lithium-Ion Battery Dual Port Charger	24VCHRG-DPC
	Universal Wall Bracket With Mounting Hardware	SJWB (Fits most Snow Joe® + Sun Joe® tools)

NOTE: Accessories are subject to change without any obligation on the part of Snow Joe® + Sun Joe® to provide notice of such changes. Accessories can be ordered online at sunjoe.com or via phone by contacting the Snow Joe® + Sun Joe® customer service center at 1-866-SNOWJOE (1-866-766-9563).



SNOW JOE® + SUN JOE® CUSTOMER PROMISE

ABOVE ALL ELSE, Snow Joe, LLC (“Snow Joe”) is dedicated to you, our customer. We strive to make your experience as pleasant as possible. Unfortunately, there are times when a Snow Joe®, Sun Joe®, or Aqua Joe® product (“Product”) does not work or breaks under normal operating conditions. We think it’s important that you know what you can expect from us. That’s why we have a Limited Warranty (“Warranty”) for our Products.

OUR WARRANTY:

Snow Joe warrants new, genuine, powered and non-powered Products to be free from defects in material or workmanship when used for ordinary household use for a period of two years from the date of purchase by the original, end-user purchaser when purchased from Snow Joe or from one of Snow Joe’s authorized sellers with proof of purchase. Because Snow Joe is unable to control the quality of its Products sold by unauthorized sellers, unless otherwise prohibited by law, this Warranty does not cover Products purchased from unauthorized sellers. If your Product does not work or there’s an issue with a specific part that is covered by the terms of this Warranty, Snow Joe will elect to either (1) send you a free replacement part, (2) replace the Product with a new or comparable product at no charge, or (3) repair the Product. How cool is that!

This Warranty gives you specific legal rights, and you may also have other rights which vary from State to State.

PRODUCT REGISTRATION:

Snow Joe strongly encourages you to register your Product. You can register online at snowjoe.com/register, or by printing and mailing in a registration card available online from our website, or calling our Customer Service Department at **1-866-SNOWJOE (1-866-766-9563)**, or by e-mailing us at help@snowjoe.com. Failure to register your Product will not diminish your warranty rights. However, registering your Product will allow Snow Joe to better serve you with any of your customer service needs.

WHO CAN SEEK LIMITED WARRANTY COVERAGE:

This Warranty is extended by Snow Joe to the original purchaser and original owner of the Product.

WHAT IS NOT COVERED?

This Warranty does not apply if the Product has been used commercially or for non-household or rental applications. This Warranty also does not apply if the Product was purchased from an unauthorized seller. This Warranty also does not cover cosmetic changes that do not affect performance. Wearing parts like belts, augers, chains and tines are not covered under this Warranty, and can be purchased at snowjoe.com or by calling **1-866-SNOWJOE (1-866-766-9563)**.



MANUAL DEL OPERADOR

Una división de Snow Joe®, LLC

BORDEADORA DE ARBUSTOS INALÁMBRICA

24 V MÁX.* | 2.0 Ah | 45.7 CM

ES

Modelo 24V-HT18-LTE

Forma N° SJ-24V-HT18-LTE-880S-MR2

¡IMPORTANTE!

Instrucciones de seguridad

Todos los operadores deberán leer estas instrucciones antes del uso

Siga siempre estas normas de seguridad. No hacerlo podría causar lesiones personales severas o incluso la muerte.

Advertencias de seguridad para herramientas motorizadas en general

⚠️ ADVERTENCIA: lea todas las advertencias de seguridad y todas las instrucciones. No seguir las instrucciones y advertencias puede causar un choque eléctrico, incendio y/o lesiones personales graves.

Guarde todas las advertencias e instrucciones para futuras referencias.

El término “herramienta motorizada” en las advertencias se refiere a su herramienta operada mediante conexión a la red eléctrica (con cable eléctrico) o herramienta operada a batería (inalámbrica).

⚠️ ¡PELIGRO! Esto indica una situación peligrosa que, de no ser evitada, resultará en lesiones personales severas o la muerte.

⚠️ ¡ADVERTENCIA! Esto indica una situación peligrosa que, de no ser evitada, puede causar lesiones personales severas o la muerte.

⚠️ ¡PRECAUCIÓN! Esto indica una situación peligrosa que, de no ser evitada, puede causar lesiones personales menores o moderadas.

Seguridad de área de trabajo

1. **Mantenga el área de trabajo limpia y bien iluminada:** las áreas abarrotadas y oscuras provocan accidentes.
2. **No opere herramientas motorizadas en atmósferas explosivas, tales como en presencia de líquidos, gases o polvos inflamables:** las herramientas motorizadas crean chispas que pueden encender los líquidos, gases o polvos.

3. **Mantenga a los niños y transeúntes alejados mientras opera una herramienta motorizada:** las distracciones pueden hacer que usted pierda el control.

Seguridad eléctrica

1. **El enchufe de la herramienta motorizada debe encajar en el tomacorriente. Nunca modifique el enchufe de ninguna manera. No use ningún enchufe adaptador con herramientas motorizadas puestas a tierra (que tengan conexión a tierra).** El uso de enchufes no modificados y tomacorrientes equivalentes reducirá el riesgo de un choque eléctrico.
2. **Evite el contacto de su cuerpo con superficies puestas a tierra tales como tuberías, radiadores, cocinas eléctricas y refrigeradoras:** hay un mayor riesgo de un choque eléctrico si su cuerpo está puesto a tierra.
3. **No exponga herramientas motorizadas a la lluvia o entornos mojados:** el agua que entre a una herramienta motorizada incrementará el riesgo de un choque eléctrico.
4. **No maltrate el cable. Nunca use el cable para transportar, jalar o desenchufar esta herramienta motorizada. Mantenga el cable alejado del calor, aceite, bordes afilados o partes en movimiento.** Los cables dañados o enredados aumentan el riesgo de un choque eléctrico.
5. **Cuando opere una herramienta motorizada en exteriores, utilice un cable de extensión adecuado para su uso en exteriores.** Usar un cable adecuado para exteriores reduce el riesgo de un choque eléctrico.
6. **Si es inevitable operar una herramienta motorizada en un entorno mojado, utilice una fuente de alimentación protegida por un Dispositivo de Corriente Residual (RCD por sus siglas en inglés).** El uso de un RCD reduce el riesgo de un choque eléctrico.

Seguridad personal

1. **Manténgase alerta, mire lo que está haciendo y utilice su sentido común al operar una herramienta motorizada. No use una herramienta motorizada si está cansado o bajo la influencia del alcohol, drogas o medicamentos:** un momento de distracción durante el uso de herramientas motorizadas podría ocasionar lesiones personales severas.
2. **Use equipos de protección personal. Use siempre protección ocular:** los equipos de seguridad tales como máscaras antipolvo, zapatos antideslizantes, cascos o protección auditiva, usados bajo condiciones apropiadas, reducirán el riesgo de lesiones personales.

- 3. Evite encendidos accidentales. Asegúrese de que el interruptor esté en la posición de apagado antes conectar el artefacto a un tomacorriente y/o insertar su batería, levantar el artefacto o transportarlo:** llevar una herramienta motorizada con su dedo sobre el interruptor, o conectar una herramienta motorizada a una fuente de alimentación con el interruptor encendido puede causar un accidente.
- 4. No se extralimite. Mantenga una posición de pie adecuada y equilibrada en todo momento:** esto permite un mejor control de la herramienta motorizada ante situaciones inesperadas.
- 5. Vístase adecuadamente. No lleve prendas holgadas ni joyas.** Mantenga su cabello, ropa y guantes lejos de las partes móviles: la ropa holgada, las joyas o el cabello largo se pueden enganchar en las partes móviles.

Uso y cuidado de la herramienta motorizada

- 1. No fuerce la herramienta motorizada. Use la herramienta motorizada apropiada para lo que necesite:** la herramienta motorizada correcta hará el trabajo mejor y de forma más segura a la intensidad para la cual fue diseñada.
- 2. No use la herramienta motorizada si su interruptor no la enciende ni apaga:** cualquier herramienta motorizada que no pueda ser controlada por el interruptor es considerada peligrosa y debe ser reparada.
- 3. Desconecte el enchufe de la fuente de alimentación y/o la batería de la herramienta motorizada antes de realizar cualquier ajuste, cambio de accesorios o almacenamiento:** dichas medidas preventivas de seguridad reducen el riesgo de encender la herramienta de forma accidental.
- 4. Guarde la herramienta motorizada inactiva lejos del alcance de los niños, y no permita que personas no familiarizadas con esta herramienta motorizada ni con estas instrucciones la operen:** las herramientas motorizadas son peligrosas en manos de usuarios no capacitados.
- 5. Cuide su herramienta motorizada. Verifique que no haya partes rotas, desalineamientos o atascamientos de partes móviles, o cualquier otra condición que pueda afectar la operación de la herramienta motorizada. Si la herramienta motorizada está dañada, hágala reparar antes de su uso:** muchos accidentes son causados por herramientas motorizadas mal mantenidas.
- 6. Mantenga las herramientas de corte afiladas y limpias:** las herramientas de corte mantenidas adecuadamente, con bordes afilados, tienen menos probabilidades de atascarse y son más fáciles de controlar.
- 7. Utilice la herramienta, accesorios, puntas, brocas, etc. de acuerdo con estas instrucciones, tomando en cuenta las condiciones de trabajo y la tarea a realizar:** emplear esta herramienta en operaciones distintas a las cuales está destinada puede resultar peligroso.

Uso y cuidado de la batería

1. Recargue solo con el cargador especificado por el fabricante. Un cargador adecuado para un tipo de batería puede causar un riesgo de incendio al ser usado con otro tipo de batería.
2. Use artefactos a batería solo con baterías específicamente diseñadas para estos. El uso de cualquier otra batería puede causar un incendio o lesiones personales.
3. No cortocircuite los terminales: cuando la batería no esté en uso, manténgala alejada de otros objetos metálicos como monedas, sujetapapeles, clavos, tornillos, alfileres u otros objetos metálicos pequeños que puedan causar el contacto de un terminal con otro. Cortocircuitar los terminales de la batería puede causar quemaduras o un incendio.
4. Bajo condiciones extremas, las baterías pueden expulsar un líquido. Evite el contacto con este líquido. Si usted accidentalmente hace contacto con este líquido, enjuáguese con agua. Si el líquido hace contacto con los ojos, adicionalmente busque atención médica. El líquido que sale de las baterías puede causar irritación o quemaduras.
5. La batería suministrada con su bordeadora de arbustos está cargada solo parcialmente. La batería tiene que ser cargada por completo antes de que usted use la herramienta por primera vez.
6. Para un óptimo rendimiento de la batería, evite ciclos de descarga baja cargándola frecuentemente.
7. Guarde la batería en un lugar fresco, de preferencia a 77°F (25°C) y cargada por completo.
8. Las baterías de iones de litio están sujetas a un proceso natural de desgaste. La batería debe ser reemplazada a más tardar cuando su capacidad caiga a un 80% de su capacidad inicial, cuando estaba nueva. Las celdas debilitadas en una batería gastada no son capaces de cumplir con los requisitos de alta potencia necesarios para la operación adecuada de su bordeadora de arbustos, y por tanto representan un riesgo de seguridad.
9. No arroje las baterías al fuego abierto ya que pueden causar una explosión.
10. No quemee la batería ni la esponja al fuego.
11. No descargue las baterías exhaustivamente. Una descarga exhaustiva dañará las celdas de la batería. La causa más común de descarga exhaustiva es el almacenamiento prolongado o la falta de uso de baterías parcialmente descargadas. Deje de trabajar tan pronto como el rendimiento de la batería caiga considerablemente o se active el sistema de protección electrónico. Almacene la batería únicamente luego de haberla cargado por completo.
12. Proteja las baterías y la herramienta contra sobrecargas. Las sobrecargas causarán rápidamente un sobrecalentamiento y daños a las celdas dentro de la batería, incluso si este sobrecalentamiento no es aparente por fuera.

13. Evite daños y golpes. Reemplace inmediatamente una batería que se haya caído desde una altura de más de un metro o que haya sido expuesta a golpes violentos, incluso si el exterior de la batería aparenta no tener daños. Las celdas dentro de la batería pueden haber sufrido daños severos. En dichos casos, lea la información de eliminación para deshacerse apropiadamente de la batería.
14. Si la batería sufre una sobrecarga y sobrecalentamiento, el sistema interruptor de corte de protección integrado apagará el equipo por motivos de seguridad.

¡IMPORTANTE! No presione más el interruptor de encendido/apagado si el sistema interruptor de corte de protección se ha activado. Esto puede dañar la batería.
15. No use baterías o artefactos que hayan sido dañados o modificados. Las baterías dañadas o modificadas pueden reaccionar impredeciblemente, causando un incendio, explosión o lesiones personales.
16. No esponga una batería o artefacto al fuego o temperaturas extremas. Una exposición al fuego o a temperaturas por encima de los 266°F (130°C) puede causar una explosión.
17. Siga todas las instrucciones de carga, y no cargue la batería o artefacto fuera del rango de temperaturas especificado en las instrucciones. Cargar de forma incorrecta o a temperaturas fuera del rango especificado puede dañar la batería e incrementar el riesgo de un incendio.
18. **Use artefactos a batería solo con baterías específicamente diseñadas para estos.** El uso de cualquier otra batería puede causar un incendio o lesiones personales.

Servicio

Su herramienta motorizada deberá ser reparada por una persona calificada usando únicamente partes de repuesto originales. Esto mantendrá la seguridad de la herramienta motorizada.

Reglas de seguridad adicionales para la bordeadora de arbustos

1. Mantenga todas las partes del cuerpo alejadas de las cuchillas. No retire material cortado ni sujete el material a ser cortado cuando las cuchillas estén moviéndose. Asegúrese de que el interruptor esté apagado al retirar material atascado. Las cuchillas siguen moviéndose luego de haberse apagado la unidad.
2. Un momento de distracción durante el uso de la bordeadora de arbustos podría ocasionar lesiones personales severas. Lleve la bordeadora de arbustos por su mango, con las cuchillas detenidas. Una manipulación apropiada de la bordeadora de arbustos reducirá el riesgo de lesiones personales causadas por las cuchillas. Cuando transporte o almacene el cortasetos, coloque siempre la cubierta del dispositivo de corte.

3. Sujete la herramienta motorizada solamente por sus superficies de sujeción aisladas, debido a que las cuchillas pueden hacer contacto con alambres ocultos o con el propio cable de alimentación. Las cuchillas que hagan contacto con un alambre con corriente eléctrica pueden exponer las partes de la herramienta motorizada a la electricidad y causar un choque eléctrico al operador.



¡PELIGRO! Mantenga las manos alejadas de las cuchillas. El contacto con las cuchillas puede causar lesiones personales severas.

4. Retire cualquier juego de cuchillas que se haya dañado. Asegúrese siempre de que el juego de cuchillas esté instalado correctamente y sujeto de forma segura antes de cada uso. No hacerlo puede causar lesiones personales severas.
5. Mantenga una sujeción firme en ambos mangos al cortar con las cuchillas. Mantenga las cuchillas alejadas de su cuerpo.
6. Sujete la bordeadora de arbustos adecuadamente, es decir, con ambas manos si el producto tiene dos mangos. La pérdida de control puede causar lesiones personales.
7. Antes de la operación, inspeccione el arbusto en busca de objetos extraños tales como cercas de alambre. Evite que el dispositivo de corte haga contacto con alambres u otros objetos metálicos.
8. Este producto deberá ser reparado únicamente por personal técnico calificado. El mantenimiento o reparación llevados a cabo por personal no calificado puede causar lesiones personales al usuario o daños al producto.
9. Utilice la bordeadora de arbustos y sus accesorios de acuerdo con estas instrucciones, tomando en cuenta las condiciones de trabajo y la tarea a realizar. Usar la herramienta motorizada en operaciones diferentes a las destinadas puede resultar peligroso.
10. No toque las partes móviles peligrosas antes de que la batería haya sido retirada y las partes peligrosas se hayan detenido por completo.
11. No use esta máquina en mal tiempo, especialmente cuando haya un riesgo de rayos.
12. Inspeccione el área a ser cortada y retire cualquier objeto extraño que pueda perjudicar su tarea de corte. Si no se pueden retirar objetos extraños tales como cercas de alambre, márquelos y recuerde evitar que las cuchillas los toquen durante el podado.

Capacitación

1. Lea cuidadosamente las instrucciones. Familiarícese con los controles y el uso apropiado del producto.
2. Nunca permita que niños o personas no familiarizadas con estas instrucciones usen el producto. Los reglamentos locales pueden restringir la edad del operador de la máquina.
3. Tenga en cuenta que el operador o usuario es responsable por accidentes o peligros que le ocurran a otras personas o sus propiedades.

Preparación

1. Este producto puede causar graves lesiones personales. Lea las instrucciones cuidadosamente para la manipulación correcta, preparación, mantenimiento, arranque y parada del producto. Familiarícese con todos los controles y el uso apropiado del producto.
2. Nunca permita que los niños usen esta bordeadora de arbustos inalámbrica.
3. Tenga cuidado con las líneas aéreas de alto voltaje.
4. Nunca opere esta bordeadora de arbustos inalámbrica cuando haya gente (especialmente niños) o mascotas cerca.
5. Vístase adecuadamente. No use joyería o ropa suelta que pueda enredarse en las partes móviles. Se recomienda el uso de guantes resistentes, gafas de seguridad y calzado anti-resbalos.
6. Use protección ocular y calzado robusto en todo momento durante la operación de la bordeadora de arbustos inalámbrica.
7. Si el accesorio de corte golpea un objeto extraño, o si la máquina empieza a sonar o vibrar de forma inusual, apáguela, retire la batería, permita que la máquina se detenga y proceda como se indica a continuación:
 - Inspeccione la unidad en busca de daños;
 - Busque y ajuste cualquier parte suelta; y
 - Haga reparar o reemplazar cualquier parte dañada con una parte equivalente.

Operación

1. Use el producto solo durante el día o bajo una buena luz artificial.
2. Nunca opere el producto con guardas o protectores dañados, o sin guardas o protectores en su lugar.
3. Mantenga alejados pies y manos del dispositivo de corte en todo momento, especialmente al encender el motor.
4. Antes de usar el producto y luego de cualquier golpe, busque señales de desgaste o daños y repare según sea necesario.
5. Siempre retire la batería:
 - Al dejar el producto sin atender;
 - Al ajustar la posición de trabajo del dispositivo de corte;
 - Antes de retirar una obstrucción;
 - Antes de inspeccionar, limpiar o trabajar en el producto;
 - Luego de golpear un objeto extraño; y
 - Cuando el producto empieza a vibrar de forma anormal.
6. Asegúrese de que la bordeadora de arbustos esté ubicada en una posición de trabajo designada antes de encender el motor.

7. Durante la operación de la bordeadora de arbustos, asegúrese de que la posición de operación sea estable y segura, especialmente al estar parado sobre una escalera o escalones.
8. No opere la bordeadora de arbustos con un dispositivo de corte dañado o demasiado gastado.
9. Asegúrese siempre de que todos los mangos y protectores estén colocados correctamente al usar la bordeadora de arbustos. Nunca intente usar una bordeadora de arbustos incompleta o modificada sin autorización.
10. Use siempre ambas manos al operar una bordeadora de arbustos provista con dos mangos.
11. Siempre esté atento a sus alrededores y manténgase alerta ante posibles peligros que usted pueda no tener en cuenta debido al ruido del producto.
12. Tenga cuidado y evite lesionar sus manos y pies con el dispositivo de corte.
13. Asegúrese siempre de que los conductos de ventilación estén libres de residuos.
14. Use calzado protector anti-resbalos y ropa protectora al usar este producto.
15. Mantenga siempre con sus pies una posición y un balance adecuados y solo opere el producto estando de pie en una superficie fija, segura y nivelada. Cambie posiciones de trabajo regularmente para evitar cansarse y asegure una posición de trabajo cómoda en todo momento.
16. Nunca use partes de repuesto o accesorios no suministrados o no recomendados por el fabricante.
17. El uso de este producto puede estar restringido por reglamentos locales o regionales.

Reducción de vibraciones y ruido

Para reducir el impacto negativo de la emisión de ruido y vibraciones, limite el tiempo de operación, use modos de operación de bajas vibraciones y bajo ruido, y además emplee equipos de protección personal.

Obedezca las siguientes indicaciones para minimizar los riesgos de exposición a vibraciones y ruido.

1. Solo use el producto para los trabajos especificados por su diseño y estas instrucciones.
2. Asegúrese de que el producto esté en buenas condiciones y bien mantenido.
3. Use los accesorios correctos para el producto y asegúrese de que estén en buenas condiciones.
4. Mantenga una sujeción firme en los mangos y manillar.
5. Mantenga este producto de acuerdo con estas instrucciones y, de ser apropiado, manténgalo bien lubricado.
6. Planifique su horario de trabajo para distribuir correctamente el uso de cualquier herramienta de altas vibraciones durante un periodo prolongado de tiempo.

Emergencia


Familiarícese con el uso de este producto mediante este manual de instrucciones. Memorice las instrucciones de seguridad y obedézcalas al pie de la letra. Esto ayudará a evitar riesgos y peligros.

1. Esté siempre alerta al usar este producto de manera que pueda reconocer y encarar los riesgos de forma temprana. Una intervención rápida puede evitar lesiones personales severas y daños materiales.
2. Apague la máquina y retire la batería si hay desperfectos. Haga que un técnico calificado inspeccione el producto y, de ser necesario, lo repare antes de que usted lo vuelva a operar.

Riesgos residuales

Aún si usted está operando este producto de acuerdo con todos los requisitos de seguridad, quedan riesgos potenciales de lesiones personales y daños. Los siguientes peligros pueden surgir en conexión con la estructura y diseño de este producto:

1. Defectos de salud resultantes de la emisión de vibraciones si el producto está siendo usado durante periodos prolongados de tiempo o no está siendo manipulado y mantenido adecuadamente.
2. Lesiones personales y daños materiales debido a accesorios de corte defectuosos o al impacto súbito de objetos ocultos durante el uso.
3. Peligro de lesiones personales y daños materiales causado por objetos voladores.


 **¡ADVERTENCIA!** ¡Este producto genera un campo electromagnético durante la operación! ¡Este campo puede, bajo algunas circunstancias, interferir con implantes médicos activos o pasivos! Para reducir el riesgo de lesiones personales severas o mortales, recomendamos que una persona que tenga algún implante médico hable con su médico y con el fabricante de su implante antes de operar este producto.


Instrucciones de seguridad para las baterías y el cargador

Prestamos mucha atención al diseño de cada batería para garantizar la producción de baterías seguras y durables, con una alta densidad de energía. Las celdas de las baterías tienen varios dispositivos de seguridad. Cada celda individual es inicialmente formateada y sus curvas eléctricas características son registradas. Estos datos son luego usados exclusivamente para ensamblar las mejores baterías posibles.

Independientemente de todas las precauciones de seguridad, se debe tener mucho cuidado al manipular las baterías. Las siguientes instrucciones deben ser obedecidas en todo momento para garantizar un uso seguro. Un uso seguro solo puede ser garantizado si se usan celdas libres de daños. Una manipulación incorrecta de las baterías puede causar daños en sus celdas.

¡IMPORTANTE! Los análisis han confirmado que el uso incorrecto y el cuidado deficiente de baterías de alto rendimiento son las causas principales de lesiones personales y/o daños al producto.

 **¡ADVERTENCIA!** Use solo baterías de repuesto aprobadas. Otras baterías pueden dañar la sopladora a chorro y causar fallas en su funcionamiento.

 **¡PRECAUCIÓN!** Para reducir el riesgo de lesiones personales, cargue la batería de iones de litio 24 V de iON+ solo con su cargador de batería de iones de litio designado, el 24 V de iON+. Otros tipos de cargadores presentan riesgos de incendios, lesiones personales y daños materiales. No conecte una batería a un tomacorriente doméstico ni encendedor de cigarrillos en su vehículo. Dicho uso indebido dañará o deshabilitará permanentemente la batería.

- **Evite entornos peligrosos:** no cargue la batería bajo la lluvia o nieve, ni en lugares húmedos o mojados. No use la batería ni el cargador en atmósferas explosivas (gases, polvo o materiales inflamables) ya que al insertar o retirar la batería se pueden generar chispas que pueden causar un incendio.

- **Cargue la batería en un área bien ventilada:** no bloquee los conductos de ventilación del cargador. Manténgalos despejados para permitir una ventilación adecuada. No permita que se fume o haya fuego abierto cerca de una batería siendo cargada. Los gases presentes pueden explotar.

NOTA: el rango seguro de temperatura para la batería es de 41°F (5°C) a 105°F (40.5°C). No cargue la batería en exteriores a temperaturas congelantes. Cárguela a temperatura ambiente en interiores.

- **Cuide el cable de alimentación del cargador:** al desconectar el cargador tire del enchufe, no del cable, para desconectarlo del tomacorriente y así evitar dañar el enchufe y cable de alimentación. Nunca transporte el cargador colgado de su cable, ni tire del cable para desconectarlo del tomacorriente. Mantenga el cable alejado del calor, grasas y bordes afilados. Asegúrese de que el cable no sea pisado, que la gente no se tropiece con éste, ni que esté sujeto a daños o tensiones mientras el cargador esté siendo usado. No use el cargador con un cable o enchufe dañado. Reemplace un cargador dañado inmediatamente.

- **No use un cable de extensión a menos que sea absolutamente necesario:** usar un cable de extensión incorrecto, dañado o conectado de forma inapropiada puede causar un incendio o choque eléctrico. Si se debe usar un cable de extensión, conecte el cargador a un cable de extensión de calibre 16 (o más grueso) de alambreado adecuado, con su enchufe hembra encajando perfectamente en el enchufe macho del cargador. Verifique que el cable de extensión esté en buenas condiciones.

- **El cargador 24VCHRG-AC está clasificado solo para 100-240 V CA:** el cargador debe estar enchufado a un tomacorriente apropiado.

- **Use solo los accesorios recomendados:** el uso de un accesorio no recomendado ni vendido por el fabricante de la batería o cargador de batería puede resultar en un riesgo de un choque eléctrico, incendio o lesiones personales.
- **Desenchufe el cargador cuando no esté siendo usado:** asegúrese de retirar la batería del cargador desenchufado.

⚠ ¡ADVERTENCIA! Para reducir el riesgo de un choque eléctrico, desenchufe siempre el cargador antes de llevar a cabo cualquier tarea de limpieza o mantenimiento. No permita que entre agua dentro del cargador. Use un interruptor de circuito por falla a tierra (GFCI) para reducir el riesgo de un choque eléctrico.

- **No queme ni incinere baterías:** las baterías pueden explotar, causando lesiones personales o daños. Las baterías generan sustancias y humos tóxicos al ser quemadas.
- **No triture, deje caer ni dañe las baterías:** no use la batería ni el cargador si han sido severamente golpeados, se han dejado caer, se han aplastado, o han sido dañados de cualquier forma como por ejemplo perforados con un clavo, golpeados con un martillo, pisados, etc.
- **No los desarme:** el reensamblado incorrecto puede presentar un riesgo severo de choque eléctrico, fuego o exposición a químicos tóxicos de la batería. Si la batería o el cargador están dañados, contacte a un distribuidor autorizado Snow Joe® + Sun Joe® o comuníquese con la central de servicio al cliente Snow Joe® + Sun Joe® llamando al 1-866-SNOWJOE (1-866-766-9563).
- **Los químicos de la batería causan quemaduras severas:** nunca deje que una batería dañada haga contacto con la piel, ojos o boca. Si una batería dañada deja escapar químicos, use guantes de hule o neopreno para deshacerse de ella de forma segura. Si la piel es expuesta a los químicos de la batería, lave el área afectada con jabón y agua, y enjuague con vinagre. Si los ojos son expuestos a los químicos, inmediatamente enjuáguelos con agua durante 20 minutos y busque atención médica. Quítese y deshágase de las vestimentas contaminadas.
- **Guarde su batería y cargador en un lugar fresco y seco:** no guarde la batería ni el cargador donde las temperaturas puedan exceder los 105°F (40.5°C), como bajo la luz directa del sol o dentro de un vehículo o construcción metálica durante el verano.

Información sobre el cargador y el proceso de carga

1. Verifique la información indicada en la placa de especificaciones del cargador de batería. Asegúrese de conectar el cargador de batería a una fuente de alimentación que tenga el voltaje indicado en la placa de especificaciones. Nunca lo conecte a una fuente de alimentación con un voltaje diferente.

2. Proteja el cargador de batería y su cable contra daños. Mantenga el cargador de batería y su cable alejados del calor, grasa, aceite y bordes afilados. Haga reparar sin demora los cables dañados por un técnico calificado en un distribuidor autorizado Snow Joe® + Sun Joe®, o comuníquese con la central de servicio al cliente Snow Joe® + Sun Joe® llamando al 1-866-SNOWJOE (1-866-766-9563).
3. Los enchufes deben encajar en los tomacorrientes. Nunca modifique el enchufe de ninguna manera. No use ningún adaptador de enchufe con artefactos que tengan conexión a tierra. El uso de enchufes no modificados y tomacorrientes equivalentes reducirá el riesgo de un choque eléctrico.
4. Mantenga el cargador de batería, la(s) batería(s) y la herramienta inalámbrica lejos del alcance de los niños.
5. No use el cargador de batería suministrado para cargar baterías de otras herramientas inalámbricas.
6. Durante periodos de trabajo pesado, la batería se calentará. Permita que la batería se enfríe a temperatura ambiente antes de insertarla en el cargador para su recarga.
7. No sobrecargue las baterías. No exceda los tiempos máximos de carga. Estos tiempos de carga solo se aplican a baterías descargadas. La inserción frecuente de una batería cargada o parcialmente cargada resultará en una sobrecarga y daños a las celdas. No deje las baterías en el cargador por días enteros.
8. Nunca use o cargue la batería si sospecha que han pasado más de doce (12) meses desde la última vez que fue cargada. Existe una alta probabilidad de que la batería ya haya sufrido un daño severo (descarga exhaustiva).
9. Cargar baterías a temperaturas menores de 41°F (5°C) causará daños químicos a las celdas y puede provocar un incendio.









Protección contra influencias del entorno

1. Use ropa de trabajo adecuada. Use gafas protectoras.
2. Proteja su herramienta inalámbrica y cargador de batería contra la humedad y la lluvia. La humedad y la lluvia pueden causar daños severos a las celdas.
3. No use la herramienta inalámbrica o el cargador de batería cerca de vapores y líquidos inflamables.
4. Use el cargador de batería y la herramienta inalámbrica solo en entornos secos y a una temperatura ambiente de entre 41°F (5°C) y 105°F (40.5°C).
5. No coloque el cargador de batería en lugares donde la temperatura pueda sobrepasar los 105°F (40.5°C). En particular, no deje el cargador de batería en un auto estacionado bajo la luz directa del sol.

- 6.** Proteja las baterías contra el sobrecalentamiento. Las sobrecargas, exceso de carga y exposición a la luz directa del sol darán como resultado un sobrecalentamiento y daños a las celdas. Nunca cargue ni trabaje con baterías que hayan estado sobrecalentadas. De ser posible, reemplácelas inmediatamente.
- 7.** Guarde el cargador de batería y su herramienta inalámbrica solo en entornos secos y a una temperatura ambiente de entre 41°F (5°C) y 105°F (40.5°C). Guarde su batería de iones de litio en un lugar fresco y seco, a una temperatura ambiente de 77°F (25°C). Proteja la batería, el cargador y la herramienta inalámbrica contra la humedad y la luz directa del sol. Solo almacene baterías cargadas por completo.
- 8.** Evite que la batería de iones de litio se congele. Las baterías almacenadas a temperaturas menores de 32°F (0°C) por más de una hora deberán ser desechadas.
- 9.** Al manipular baterías, tenga cuidado con las descargas electrostáticas. Las descargas electrostáticas pueden dañar el sistema electrónico de protección y las celdas de la batería. Evite las descargas electrostáticas y nunca toque los polos de la batería.

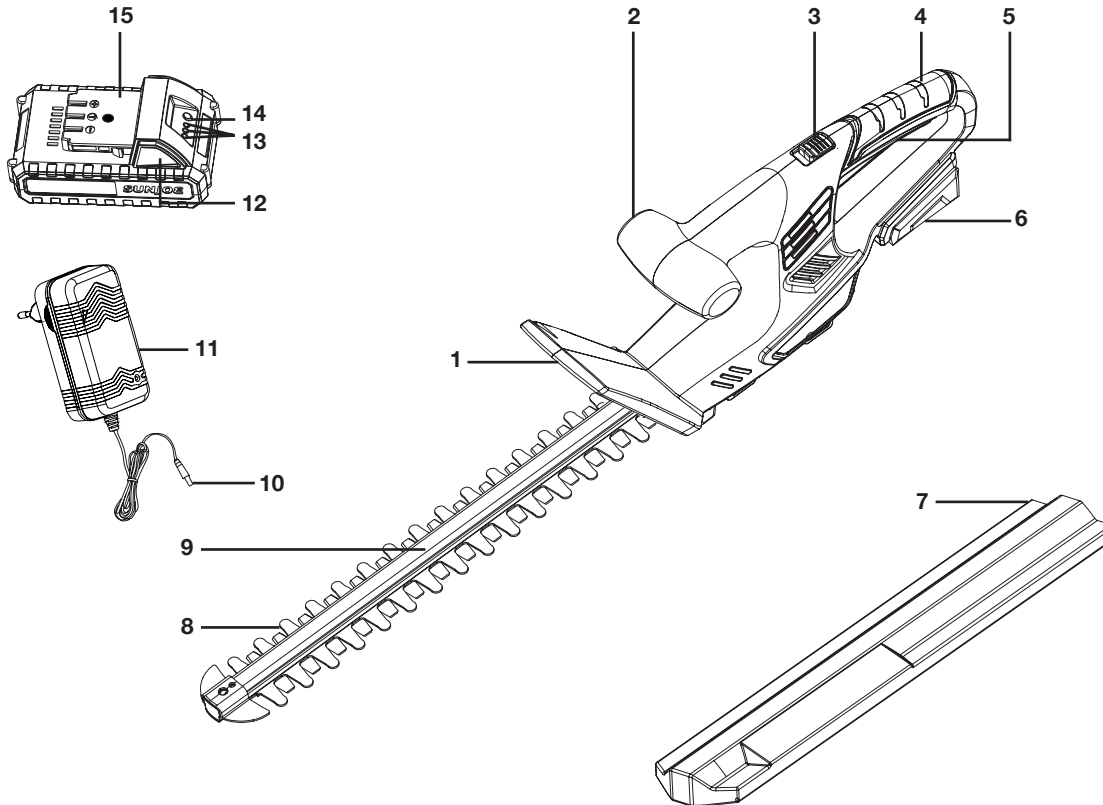
Símbolos de seguridad

La siguiente tabla muestra y describe los símbolos de seguridad que pueden aparecer en este producto. Lea, comprenda y siga todas las instrucciones relacionadas con esta máquina antes de intentar ensamblarla y operarla.

Símbolo	Descripción	Símbolo	Descripción
	LEA EL(LOS) MANUAL(ES) DEL OPERADOR: lea, comprenda y siga todas las instrucciones en el(los) manual(es) antes de intentar ensamblar y operar esta unidad.		ALERTA DE SEGURIDAD: indica una precaución, advertencia o peligro.
	¡ADVERTENCIA! No exponga la unidad a la lluvia ni a entornos mojados.		USE PROTECCIÓN OCULAR Y AUDITIVA: para evitar lesiones personales, use protección auditiva y gafas protectoras.
	Use guantes protectores y calzado no deslizante al operar esta máquina y al manipular desechos.		¡PELIGRO! CUCHILLAS GIRATORIAS: mantenga las manos y pies lejos de las aberturas cuando la podadora esté funcionando.
	Mantenga a los espectadores a una distancia segura del área de trabajo.		Solo para uso en interiores. Utilice el cargador de batería solamente en interiores.

Conozca su podadora de arbustos inalámbrica

Lea detenidamente el manual del operador y las instrucciones de seguridad antes de operar la podadora de arbustos inalámbrica. Compare la ilustración debajo con la podadora de arbustos inalámbrica para familiarizarse con las ubicaciones de los diversos controles y ajustes. Conserve este manual para futuras referencias.



- | | | |
|--|---|---|
| 1. Guardia de seguridad | 7. Funda de juego de cuchillas | 13. Indicadores de nivel de carga de batería |
| 2. Mango frontal | 8. Juego de cuchillas | 14. Botón pulsador para indicadores de nivel de carga de batería |
| 3. Interruptor de trabado de seguridad | 9. Soporte de juego de cuchillas | 15. Batería de iones de litio 24 V de iON+ (24VBAT-LTE) con exclusiva tecnología EcoSharp®. |
| 4. Mango posterior | 10. Conector de cargador | |
| 5. Gatillo interruptor | 11. Cargador de batería de iones de litio 24 V de iON+ (24VCHRG-AC) | |
| 6. Compartimiento de batería | 12. Botón pulsador de trabado | |

Datos técnicos

Motor	250 W	Movimiento del juego de cuchillas	Doble acción
Voltaje máx. de batería*	24 V CC	Material de cuchillas	Hierro forjado resistente al óxido
Capacidad de la batería	2.0 Ah	Longitud de juego de cuchillas	18 plg (45.7 cm)
Entrada de cargador	De 100 V a 240 V CA, de 50 Hz a 60 Hz, 50 W	Diámetro máximo de corte	0.55 plg (14 mm)
Salida del cargador	25.2 V CC, $\overline{\overline{\text{---}}}$ 1,400 mA	Velocidad	2,800 RPM
Tiempo máximo de carga	1 hr 20 min	Peso neto	5 lb (2.3 kg)

*El voltaje inicial sin carga, cuando la batería está cargada por completo, alcanza un máximo de 24 V. El voltaje nominal bajo una carga típica es de 21.6 V.

Desembalaje

Contenido del paquete:

- Podadora de arbustos inalámbrica
- Funda de juego de cuchillas
- Batería de iones de litio 24 V de iON+
- Cargador de batería de iones de litio 24 V de iON+
- Manual y tarjeta de registro

1. Retire cuidadosamente la bordeadora de arbustos inalámbrica y compruebe que todos los artículos anteriores estén incluidos.
2. Inspeccione cuidadosamente el producto para asegurarse de que no haya ocurrido ningún daño o ruptura durante su transporte. Si alguna parte está dañada o extraviada, NO DEVUELVA la unidad a la tienda. Comuníquese con la central de servicio al cliente Snow Joe® + Sun Joe® llamando al 1-866-SNOWJOE (1-866-766-9563).

NOTA: no se deshaga de la caja de transporte ni de los materiales de embalaje hasta que usted esté listo para usar su bordeadora de arbustos inalámbrica. El empaquetado está hecho de materiales reciclables. Deshágase apropiadamente de estos materiales según los reglamentos locales, o guarde el empaquetado para el almacenamiento del producto a largo plazo.

¡IMPORTANTE! El equipo y los materiales de embalaje no son juguetes. No permita que los niños jueguen con bolsas plásticas, láminas o partes pequeñas. ¡Estos objetos pueden ser tragados y causar asfixia!

Operación de la batería

La unidad es alimentada con una batería de iones de litio. La batería está completamente sellada y no requiere de mantenimiento.

Indicador de nivel de carga de batería

La batería tiene un botón para comprobar su nivel de carga. Simplemente presione el botón para leer el nivel de carga de la batería en los LED indicadores de la batería:

- Los cuatro LED indicadores de nivel están encendidos: nivel de carga de la batería máximo.
- Tres LED indicadores de nivel están encendidos: el nivel de carga de la batería es elevado.
- Dos LED indicadores de nivel están encendidos: el nivel de carga de la batería está disminuyendo. Deje de trabajar tan pronto como sea posible.
- Un LED indicador de nivel está encendido: el nivel de carga de la batería está bajo. Deje de trabajar INMEDIATAMENTE y cargue la batería, de otro modo, la vida útil de la batería se reducirá en gran medida.

Luces	Significado
	Botón de nivel de carga
	La batería está cargada a un 30% y requiere ser cargada de inmediato
	La batería está cargada a un 60% y requiere ser cargada pronto
	La batería está cargada por completo

NOTA: si el botón de nivel de carga no parece funcionar, coloque la batería en el cargador y cargue según se requiera.

Inmediatamente luego del uso de la batería, el botón de nivel de carga puede mostrar una carga más baja que la que se mostrará algunos minutos después. Las celdas de la batería “recuperan” parte de su carga luego de permanecer inactivas.

Operación del cargador

⚠ ¡ADVERTENCIA! Cargue la batería de iones de litio 24 V de iON+ solo con su cargador de batería de iones de litio compatible 24 V de iON+. Otros tipos de baterías pueden causar lesiones personales y daños materiales. Para reducir el riesgo de un choque eléctrico, no permita que entre agua a la conexión CA/CC del cargador.

Cuándo cargar la batería de iones de litio iON+ 24VBAT-LTE

NOTA: las baterías de iones de litio iON+ 24VBAT-LTE no crean una “memoria” al ser cargadas luego de una descarga parcial. Por tanto, no hay necesidad de agotar la batería antes de insertar el conector del cargador.

- Use las luces indicadoras de carga de batería para determinar cuándo cargar su batería de iones de litio iON+ 24VBAT-LTE.
- Usted puede cargar por completo su batería antes de empezar un trabajo grande o luego de un uso prolongado.

Carga de la batería

1. Presione los botones pulsadores de trabado en la batería para poder extraer la batería fuera del equipo (Fig. 1).

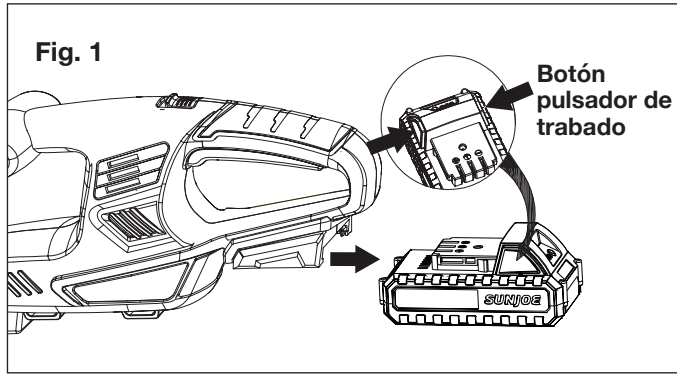


Fig. 1

Botón pulsador de trabado

2. Compruebe que el voltaje de la red sea el mismo que el indicado en la placa de especificaciones del cargador de la batería. Luego, enchufe el adaptador del cargador en un tomacorriente CA apropiado. Conecte el conector del cargador en el receptáculo de carga de la batería para empezar a cargarla (Fig. 2).

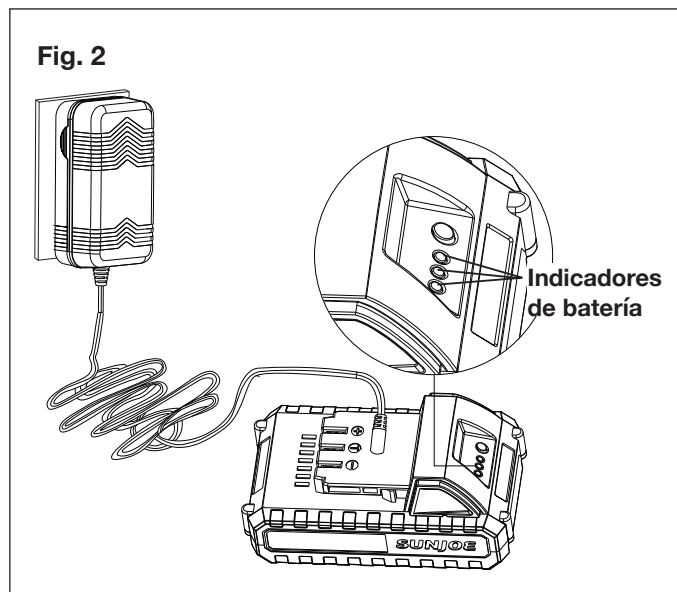


Fig. 2

Indicadores de batería

3. La batería tomará aproximadamente 80 minutos en cargarse. Las luces LED indicadoras de la batería parpadearán y se iluminarán una a una durante el proceso de carga. Desconecte el cargador inmediatamente cuando las tres luces LED estén todas iluminadas.

⚠ ¡PRECAUCIÓN! PELIGRO DE INCENDIO.

Al desconectar el cargador de la batería, asegúrese de desenchufar primero el cargador del tomacorriente, y luego desconecte el cargador de la batería.

⚠ ¡ADVERTENCIA! Este cargador no se apaga de forma automática cuando la batería está completamente cargada. Tenga cuidado de no dejar la batería conectada al cargador. Apague o desenchufe el cargador del tomacorriente cuando la carga haya sido completada.

4. Una recarga oportuna de la batería ayudará a prolongar la vida útil de la batería. Usted debe recargar la batería cuando note una caída en la potencia del equipo.

¡IMPORTANTE! Nunca permita que la batería se descargue por completo ya que esto causará un daño irreversible a la batería.

Ensamblado

Esta bordeadora de arbustos inalámbrica viene completamente ensamblada

Operación

⚠ ¡ADVERTENCIA! Use siempre gafas de seguridad o protección ocular con cubiertas laterales al operar herramientas motorizadas. Si no usa protección ocular le pueden caer objetos a sus ojos, causándole lesiones personales severas.

⚠ ¡ADVERTENCIA! No use ningún accesorio o componente no recomendado por el fabricante de este producto. El uso de accesorios o componentes no recomendados puede causar lesiones personales severas.

Sujeción de la bordeadora

Antes de operar la bordeadora de arbustos, póngase en posición de operación y compruebe lo siguiente:

1. Usted está usando todos los equipos necesarios de protección personal, incluyendo guantes protectores, calzado antideslizante, gafas de seguridad, protección auditiva y ropa que se adhiera a su cuerpo.
2. Usted está sujetando la unidad firmemente y con ambas manos. Su brazo derecho está ligeramente doblado, con su mano derecha sujetando el mango posterior, y su brazo izquierdo está recto, con su mano izquierda sujetando el mango frontal.
3. Usted está de pie, con una posición y un balance adecuados, y está sujetando la bordeadora de arbustos de manera que el juego de cuchillas esté siempre alejado de su cuerpo.

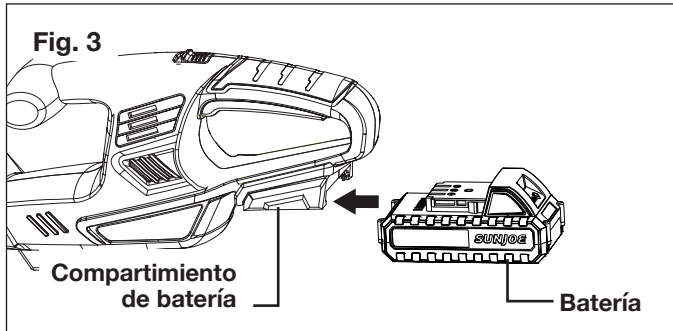
⚠ ¡ADVERTENCIA! Siempre mantenga ambas manos en los mangos de la bordeadora de arbustos. Nunca sujete arbustos con una mano y opere la bordeadora de arbustos con la otra. Una manipulación incorrecta de la bordeadora de arbustos puede causar lesiones personales severas.

Arranque y parada

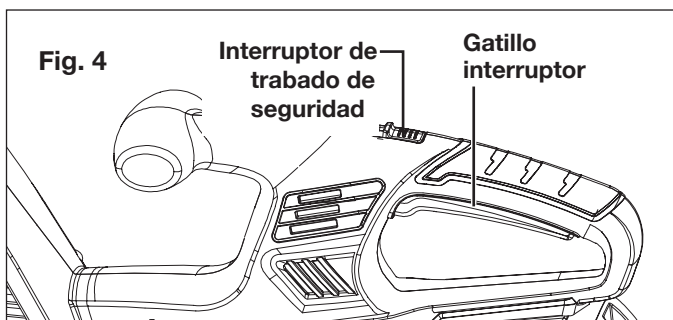
⚠ ¡ADVERTENCIA! Asegúrese de que las cuchillas no toquen ningún objeto antes de encender la bordeadora de arbustos.

⚠ ¡PRECAUCIÓN! El inicio, parada y reinicio de un motor CC de forma repetida en intervalos de pocos segundos puede generar una gran cantidad de calor y dañar el motor. Para proteger el ciclo de vida útil de su bordeadora de arbustos inalámbrica, espere al menos cinco segundos luego de haberla detenido para volverla a encender.

1. Retire la funda de juego de cuchillas e inserte la batería en su compartimiento (Fig. 3).



2. Para encender la herramienta, deslice el interruptor de trabado de seguridad hacia adelante, y luego apriete el gatillo de encendido/apagado. (Fig. 4).



3. Para apagar la herramienta, suelte el gatillo interruptor (Fig. 4).

NOTA: no apriete el gatillo interruptor hasta que usted esté listo para hacer un corte.

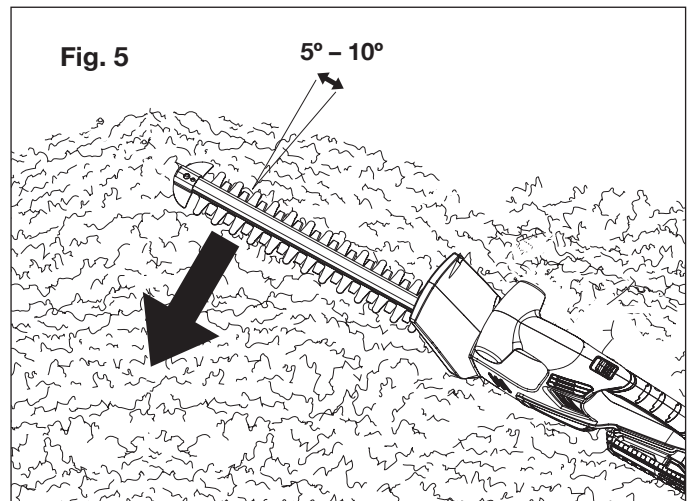
Procedimientos de corte

⚠ ¡ADVERTENCIA! Nunca corte cerca de cables eléctricos o líneas de alta tensión. Si las cuchillas se atascan en algún cable eléctrico, **¡NO TOQUE LAS CUCHILLAS! ¡PUEDEN CONducIR ELECTRICIDAD Y MATARLE CON UN CHOQUE ELÉCTRICO!** En su lugar, continúe sujetando la bordeadora de arbustos por el mango posterior aislado, o colóquela de forma segura en el piso y lejos de usted. Asegúrese de que la electricidad del cable eléctrico sea desconectada antes de intentar liberar las cuchillas de la bordeadora de arbustos. El contacto de su cuerpo con el juego de cuchillas, otras partes conductoras de la bordeadora de arbustos, alambres energizados o líneas de alta tensión resultará en muerte por choque eléctrico o lesiones personales severas.

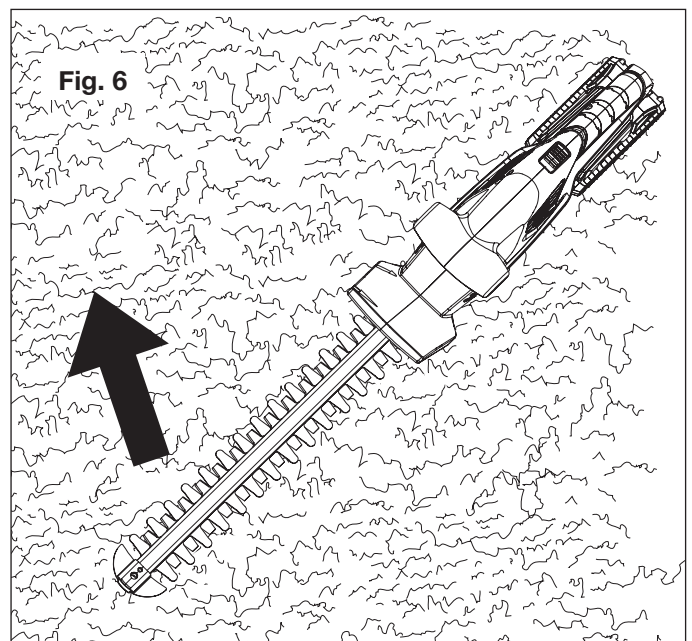
⚠ ¡ADVERTENCIA! No permita que la familiaridad con este tipo de producto le vuelva imprudente. Recuerde que una fracción de segundo de descuido es suficiente para que ocurran graves lesiones personales.

⚠ ¡ADVERTENCIA! Despeje el área a ser cortada antes de cada uso. Retire todos los objetos tales como cordones, luces, alambres o cuerdas sueltas que puedan enredarse en las cuchillas y crear un riesgo de un choque eléctrico y lesiones personales severas.

1. Al podar nuevos brotes, use una acción de barrido ancho de manera que los tallos sean alimentados directamente hacia dentro de las cuchillas. No trate de cortar ramas más gruesas que 0,63 plg (15 cm) ni aquellas que sean demasiado grandes para ser alimentadas al juego de cuchillas. Use tijeras de podar, una sierra de mano o una sierra podadora para cortar primero las ramas gruesas. Si se necesita un corte considerable, corte un poco por vez, en varias pasadas. Corte ambos lados del arbusto primero, y luego la parte superior.
2. Para realizar un corte horizontal, sujete la bordeadora de arbustos con las cuchillas inclinadas entre 5° y 10° respecto al material a ser cortado. Esto hace la operación mucho más fácil y garantiza un mejor corte (Fig. 5).



3. Para realizar un corte vertical, empiece podando en la parte inferior, y haga una acción de barrido hacia arriba para un corte parejo. Mueva las cuchillas en vaivén, en un arco hacia los exteriores del arbusto de manera que los cortes sean barridos hacia el suelo (Fig. 6).



Consejos de corte

⚠ ¡ADVERTENCIA! Sujete la herramienta firmemente con ambas manos. Mantenga siempre su mano dominante en el mango del interruptor y su mano no dominante en el mango frontal. Nunca sujete la herramienta por la guarda de seguridad. Mantenga la unidad por debajo del nivel de la cintura.

- Un movimiento de barrido ancho, alimentando los dientes de las cuchillas con las ramas es lo más efectivo. Una leve inclinación hacia abajo de las cuchillas, en dirección del movimiento, entrega los mejores cortes.
- Empiece desde abajo y barra hacia arriba.
- No fuerce la bordeadora de arbustos de altura a través de arbustos densos. Esto puede causar que las cuchillas se doblen y desaceleren. Si las cuchillas se desaceleran, reduzca el ritmo de trabajo.
- Si las cuchillas se atascan, detenga el motor, permita que las cuchillas se detengan y retire la batería antes de intentar despejar la obstrucción.
- Si lo prefiere, puede usar una cuerda para ayudarle a cortar a la altura deseada del arbusto. Decida cuán alto desea el arbusto. Extienda una cuerda a lo largo del borde a la altura deseada. Pude el arbusto apenas por encima de la línea guía de la cuerda. Pude el lado del arbusto de manera que sea ligeramente más estrecho en la parte superior. Más del arbusto será expuesto al dársele esta forma, y será más uniforme.
- Use guantes al podar arbustos espinosos. Al podar nuevos brotes, use una acción de barrido ancho de manera que los tallos sean alimentados directamente hacia dentro de las cuchillas. Los arbustos más viejos tendrán ramas más gruesas y serán podados más fácilmente mediante un movimiento de serrado.

Cuidado y mantenimiento

⚠ ¡ATENCIÓN! Antes de llevar a cabo cualquier tarea de limpieza o mantenimiento, retire la batería de su compartimiento. Nunca toque las cuchillas en movimiento.

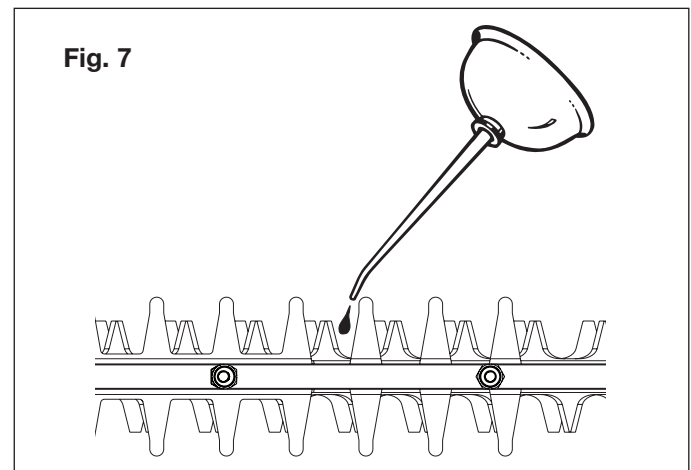
⚠ ¡ADVERTENCIA! Nunca rocíe o limpie las cuchillas de la bordeadora con agua.

1. Limpie la bordeadora de arbustos con una toalla seca, particularmente las ranuras de ventilación, luego de cada uso, o emplee un cepillo en caso de suciedad excesiva. Rocíe las cuchillas con aceite para máquinas livianas después de cada uso.
2. Guarde la bordeadora de arbustos con la funda de juego de cuchillas proporcionada puesta sobre las cuchillas. Guarde la bordeadora de arbustos en un lugar seco, lejos del alcance de los niños.
3. Al repararla, utilice solamente partes de repuesto idénticas. El uso de cualquier otra parte puede crear un peligro o causar daños al producto. Comuníquese con un distribuidor autorizado Snow Joe® + Sun Joe® o llame a la central de servicio al cliente Snow Joe® + Sun Joe® al 1-866-SNOWJOE (1-866-766-9563) para solicitar todas las partes de repuesto y accesorios de su producto.

Lubricación de las cuchillas

Para una operación más fácil y un ciclo de vida útil más prolongado de las cuchillas, lubrique las cuchillas de la bordeadora de arbustos antes y después de cada uso.

1. Detenga el motor y retire la batería.
2. Coloque la bordeadora de arbustos en una superficie plana. Aplique cualquier aceite para máquinas ligeras a lo largo del borde superior del juego de cuchillas (Fig. 7).



Si va a usar la bordeadora de arbustos por un periodo prolongado, se recomienda detener el trabajo de forma intermitente para re-aceitar las cuchillas.

NOTA: no aceite mientras la bordeadora de arbustos esté funcionando.

1. Detenga el motor y retire la batería.
2. Lubrique la bordeadora de arbustos tal como se describe anteriormente.
3. Inserte la batería y reinicie el uso de la bordeadora.

Afilado de las cuchillas

Las cuchillas deben ser re-afiladas si el rendimiento de corte y el funcionamiento empiezan a deteriorarse (por ejemplo si las cuchillas frecuentemente se enganchan en las ramas).

1. Detenga el motor y retire la batería. Sujete el juego de cuchillas en una prensa de banco.
2. Afíle la superficie de corte expuesta de cada cuchilla con una lima redonda suave. Al afilar, asegúrese de mantener el ángulo original de la cuchilla.
3. Retire el juego de cuchillas de la prensa de banco, y encienda el motor hasta que los bordes no afilados de las cuchillas restantes sean expuestos.
4. Retire la batería y repita el procedimiento de afilado según sea necesario.

⚠ ¡ADVERTENCIA! No opere la bordeadora de arbustos con cuchillas gastadas o dañadas. Esto puede causar una sobrecarga y dar resultados de corte insatisfactorios.

Limpieza de la bordeadora de arbustos

1. Detenga el motor y retire la batería.
2. Limpie el cuerpo de la bordeadora de arbustos y retire suciedad y residuos usando un paño mojado y un detergente suave.

NOTA: no use ningún detergente fuerte en la carcasa plástica ni en el mango. Estas partes pueden ser dañadas por ciertos aceites aromáticos tales como pino o limón, y por solventes tales como kerosene.

Almacenamiento

1. Detenga el motor y retire la batería.
2. Limpie a fondo la bordeadora de arbustos antes de guardarla.
3. Siempre coloque la funda del juego de cuchillas sobre las cuchillas antes de almacenar o transportar la bordeadora de arbustos. Tenga cuidado y evite tocar las cuchillas afiladas.
4. Guarde la bordeadora de arbustos en interiores, en un lugar seco a donde no puedan ingresar los niños. Manténgala alejada de agentes corrosivos tales como químicos de jardín y sales descongelantes.
5. Guarde siempre la bordeadora de arbustos en un lugar seco a donde no puedan ingresar los niños.
La temperatura ideal de almacenamiento es de entre 50°F (10°C) y 86°F (30°C).
6. Recomendamos usar el empaquetado para guardar el producto, o cubrirlo con una tela o funda adecuada para protegerlo contra el polvo.

Reciclaje y eliminación

El producto viene en un empaquetado que lo protege contra daños durante el transporte. Conserve el empaquetado hasta que usted esté seguro de que todas las partes hayan venido en este y que el producto esté funcionando adecuadamente. Recicle el empaquetado posteriormente.



Símbolo WEEE. Los productos eléctricos no deben ser desechados en la basura doméstica. Reciclelos donde hayan instalaciones adecuadas. Consulte con las autoridades locales o tienda local para saber sobre las normas de reciclaje.

Precaución y eliminación de la batería

Deshágase de su batería de acuerdo con los reglamentos federales, estatales y locales. Para encontrar lugares de reciclaje, comuníquese con un servicio de reciclaje en su localidad.

¡PRECAUCIÓN! Incluso las baterías descargadas contienen algo de energía. Antes de deshacerse de estas, use cinta aislante para cubrir los terminales y evitar que la batería haga cortocircuito, lo cual puede causar una explosión o incendio.

⚠ ¡ADVERTENCIA! Para reducir el riesgo de lesiones personales o explosión, nunca queme ni incinere una batería incluso si está dañada, inservible o completamente descargada. Al ser quemada, los humos y materiales tóxicos son lanzados a la atmósfera circundante.

1. Las baterías varían de acuerdo al dispositivo. Consulte su manual para obtener la información específica.
2. Instale solo nuevas baterías del mismo tipo en su producto (donde corresponda).
3. No insertar las baterías con la polaridad correcta, tal como se indica en el compartimiento de la batería o en el manual, puede reducir el ciclo de vida útil de las baterías o causar fugas en estas.
4. No combine baterías nuevas con antiguas.
5. No combine baterías alcalinas, estándar (de zinc-carbono) o recargables (de níquel-cadmio, de níquel-hidruro metálico o de iones de litio).
6. No arroje las baterías al fuego.
7. Las baterías deben ser recicladas o desechadas según los reglamentos locales y estatales.

Servicio y soporte

Si su bordeadora de arbustos inalámbrica 24V-HT18-LTE de Sun Joe® requiere servicio o mantenimiento, comuníquese con la central de servicio al cliente Snow Joe® + Sun Joe® llamando al 1-866-SNOWJOE (1-866-766-9563).


Modelo y número de serie

Al contactar a la empresa o al ordenar partes de repuesto, usted necesitará proveer el modelo y el número de serie de su producto. Estos se encuentran en la etiqueta pegada a la carcasa o mango de su bordeadora de arbustos inalámbrica. Copie estos números en el espacio proporcionado a continuación.

Registre los siguientes números que se encuentran en la carcasa o mango de su nuevo producto:	
Modelo:	2 4 V - H T 1 8 - L T E
Nº de serie:	

24VCHRG-AC

Federal Communications Commission (Comisión Federal de Comunicaciones o FCC):

 **¡ADVERTENCIA!** Cualquier cambio o modificación a esta unidad no aprobado expresamente por la parte responsable por el cumplimiento puede hacer que el usuario pierda el derecho de utilizar el equipo.

Dispositivo Clase B:

NOTA: este equipo ha sido probado y cumple con los límites de la Clase B de dispositivos digitales, de acuerdo con la Parte 15 de las normas de la FCC.

Estos límites están diseñados para proporcionar protección razonable contra interferencias dañinas en una instalación residencial.

Este equipo genera, usa y puede irradiar energía de radiofrecuencia y, si no se instala y utiliza de acuerdo con las instrucciones, puede provocar interferencias perjudiciales en las comunicaciones radiofónicas.

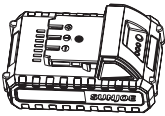
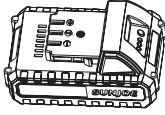



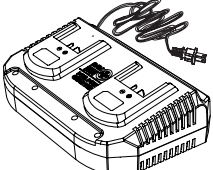
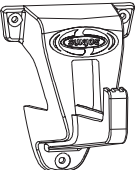
No obstante, no hay garantía alguna de que no se produzcan interferencias en una instalación concreta.

Si este equipo llegara a causar una interferencia perjudicial para la recepción de radio o televisión (la cual se puede determinar apagando y encendiendo el equipo), se recomienda que el usuario trate de corregir la interferencia tomando una o más de las siguientes medidas:

- Reorientar o reubicar la antena receptora.
- Aumentar la distancia entre el equipo y el receptor.
- Conectar el equipo a un tomacorriente correspondiente a un circuito diferente de aquel al que está conectado el receptor.
- Consultar a un comerciante o a un técnico experimentado de radio y televisión.

Accesorios opcionales

⚠ ¡ADVERTENCIA! USE SIEMPRE solo partes de repuesto y accesorios Snow Joe® + Sun Joe®. NUNCA use partes de repuesto o accesorios que no estén destinados para su uso con esta bordeadora de arbustos. Comuníquese con Snow Joe® + Sun Joe® si tiene dudas sobre si es seguro usar una parte de repuesto o accesorio en particular con su bordeadora de arbustos. El uso de cualquier otro accesorio o parte puede ser peligroso y causar lesiones personales o daños mecánicos.

Accesorio	Descripción	Modelo
	Batería de iones de litio 24 V de iON+ y 2.0 Ah	24VBAT-LTE
	Batería de iones de litio 24 V de iON+ y 2.5 Ah	24VBAT-LT
	Batería de iones de litio 24 V de iON+ y 4.0 Ah	24VBAT
	Batería de iones de litio 24 V de iON+ y 5.0 Ah	24VBAT-XR
	Cargador rápido de batería de iones de litio 24 V de iON+	24VCHRG-QC
	Cargador de doble puerto de baterías de iones de litio 24 V de iON+	24VCHRG-DPC
	Soporte universal de pared con hardware de montura	SJWB (compatible con la mayoría de herramientas Snow Joe® + Sun Joe®)

NOTA: los accesorios están sujetos a cambios sin obligación alguna por parte de Snow Joe® + Sun Joe® de notificar sobre dichos cambios. Los accesorios pueden ser pedidos en línea en sunjoe.com o vía telefónica llamando a la central de servicio al cliente Snow Joe® + Sun Joe® al 1-866-SNOWJOE (1-866-766-9563).



LA PROMESA DE SNOW JOE® + SUN JOE® AL CLIENTE

POR SOBRE TODO, en Snow Joe, LLC (“Snow Joe”) estamos dedicados a usted, nuestro cliente. Nos esforzamos por hacer que su experiencia sea lo más placentera posible. Desafortunadamente, hay veces en que un producto Snow Joe®, Sun Joe®, o Aqua Joe® (el “Producto”) no funciona o sufre un desperfecto bajo condiciones normales de operación. Creemos que es importante que usted sepa que puede confiar en nosotros. Es por eso que tenemos esta Garantía Limitada (la “Garantía”) para nuestros Productos.

NUESTRA GARANTÍA:

Snow Joe garantiza que sus Productos motorizados y no motorizados, nuevos y genuinos, están libres de defectos materiales o de mano de obra al ser usados en tareas domésticas normales durante un periodo de dos (2) años a partir de la fecha de compra por parte del comprador original y usuario final, cuando este último los compra a través de Snow Joe o un vendedor autorizado por Snow Joe y ha obtenido un comprobante de compra. Ya que Snow Joe no puede controlar la calidad de sus Productos vendidos por vendedores no autorizados, a menos que la ley lo prohíba esta Garantía no cubre Productos adquiridos a través de vendedores no autorizados. Si su Producto no funciona, o hay un problema con una parte específica que está cubierta por los términos de esta Garantía, Snow Joe elegirá entre: (1) enviarle una parte de repuesto gratuita; (2) reemplazar el Producto con uno nuevo o similar sin costo alguno; o (3) reparar el Producto. ¡Un excelente soporte!

Esta Garantía le da derechos legales específicos, y usted puede también tener otros derechos según el Estado.

REGISTRO DEL PRODUCTO:

Snow Joe le recomienda enfáticamente registrar su Producto. Usted puede registrar su Producto en línea visitando snowjoe.com/register, imprimiendo y enviando por correo una tarjeta de registro disponible en línea en nuestro sitio Web, llamando a nuestra central de servicio al cliente al **1-866-SNOWJOE (1-866-766-9563)**, o enviándonos un e-mail a help@snowjoe.com. Si usted no registra su Producto sus derechos de garantía no disminuirán; sin embargo, registrar su Producto permitirá que Snow Joe le pueda atender mejor si usted tiene alguna necesidad como cliente.

¿QUIÉN PUEDE SOLICITAR COBERTURA DE GARANTÍA LIMITADA?

Esta Garantía es otorgada por Snow Joe al comprador original y propietario original del Producto.

¿QUÉ NO ESTÁ CUBIERTO?

Esta Garantía no se aplica si el Producto ha sido usado de forma comercial o en aplicaciones no domésticas o de alquiler. Esta Garantía tampoco se aplica si el Producto fue adquirido desde un vendedor no autorizado. Esta garantía tampoco cubre cambios cosméticos que no afecten el funcionamiento del Producto. Las partes desgastables como correas, brocas y cuchillas no están cubiertas por esta Garantía, y pueden ser compradas visitando snowjoe.com o llamando al **1-866-SNOWJOE (1-866-766-9563)**.

TAILLE-HAIE SANS CORDON

24 V MAX.* | 2,0 Ah | 45,7 cm

MANUEL D'UTILISATION

Une division de Snow Joe®, LLC

Modèle 24V-HT18-LTE

Formulaire n° SJ-24V-HT18-LTE-880F-MR2

IMPORTANT!

Consignes de sécurité

Tous les utilisateurs doivent lire ces instructions avant d'utiliser l'outil

Suivez toujours ces consignes de sécurité. Ne pas s'y conformer peut entraîner de graves blessures pouvant même être fatales.

Avertissements d'ordre général sur la sécurité des outils électriques

⚠️ AVERTISSEMENT! Lire tous les avertissements de sécurité et toutes les consignes. Le non-respect des avertissements et des consignes de sécurité pourrait être à l'origine d'une secousse électrique, d'un incendie et/ou de graves blessures.

Conservez tous les avertissements et consignes pour pouvoir les consulter dans le futur.

Dans les avertissements, le terme « outil électrique » fait référence à un outil à brancher sur le secteur (à cordon) ou à un outil alimenté par une ou plusieurs batteries (sans cordon).

⚠️ DANGER! Ceci indique une situation dangereuse qui, en l'absence de précautions, entraînera des blessures graves ou même fatales.

⚠️ AVERTISSEMENT! Ceci indique une situation dangereuse qui, en l'absence de précautions, pourrait entraîner des blessures graves ou même fatales.

⚠️ MISE EN GARDE! Ceci indique une situation dangereuse qui, en l'absence de précautions, pourrait entraîner des blessures mineures ou modérément graves.

Sécurité de la zone de travail

1. **Maintenez la zone de travail propre et bien éclairée :** les endroits encombrés et sombres sont propices aux accidents.
2. **N'utilisez pas d'outils électriques lorsque l'atmosphère est explosive, par exemple en présence de liquides inflammables, de gaz ou de poussière :** les outils électriques produisent des étincelles qui peuvent enflammer la poussière ou les émanations.
3. **Maintenez les enfants et les spectateurs à bonne distance pendant l'utilisation d'un outil électrique :** les distractions peuvent vous faire perdre le contrôle de l'outil.

Sécurité électrique

1. **La fiche du cordon de l'outil électrique doit correspondre à la prise. N'apportez aucune modification, quelle qu'elle soit, à la fiche. N'utilisez pas de fiches d'adaptation avec les outils électriques mis à la terre.** Des fiches non modifiées branchées dans des prises correspondantes réduiront le risque de secousse électrique.
2. **Évitez tout contact du corps avec la surface d'objets mis à la terre, p. ex., les tuyaux, radiateurs, fourneaux de cuisine et réfrigérateurs :** il y a un risque accru de secousse électrique si votre corps est relié à la terre.
3. **N'utilisez pas d'outils électriques sous la pluie ou par forte humidité :** l'eau qui pénètre dans un outil électrique augmente le risque de secousse électrique.
4. **Ne malmenez pas le cordon. N'utilisez jamais le cordon pour transporter, tirer ou débrancher l'outil électrique. Maintenez le cordon éloigné de la chaleur, de l'huile, d'arêtes tranchantes ou de pièces mobiles.** Les cordons endommagés ou emmêlés augmentent le risque de secousse électrique.
5. **Si vous utilisez un outil électrique à l'extérieur, équipez-le d'une rallonge électrique prévue pour l'extérieur.** L'utilisation d'un cordon prévu pour l'extérieur réduit le risque de secousse électrique.
6. **S'il est inévitable d'utiliser l'outil électrique dans un endroit humide, équipez-le d'une alimentation électrique protégée par un dispositif différentiel à courant résiduel.** L'utilisation d'un dispositif différentiel à courant résiduel réduit le risque de secousse électrique.

Sécurité personnelle

1. **Lorsque vous utilisez un outil électrique, restez vigilant, surveillez ce que vous faites et utilisez votre bon sens. N'utilisez pas d'outil électrique quand vous êtes fatigué ou si vous avez consommé de l'alcool, de la drogue ou des médicaments :** lorsque vous utilisez un outil électrique, un moment d'inattention peut se traduire par de graves blessures.
2. **Utilisez un équipement de protection individuel. Portez toujours des lunettes de protection :** un équipement de protection, par exemple un masque antipoussières, des chaussures de sécurité antidérapantes, un casque de protection ou des protecteurs d'oreille, utilisé dans les conditions appropriées réduira le risque de se blesser.

3. **Prévenez les démarrages accidentels. Avant de brancher l'outil sur une source d'alimentation électrique et/ou le bloc-piles, de saisir l'outil ou de le transporter, assurez-vous que l'interrupteur est à la position d'arrêt :** transporter un outil électrique ou le démarrer en maintenant le doigt sur l'interrupteur peut être source d'accidents.
4. **Ne vous arc-boutez pas. Restez en permanence sur les deux pieds pour ne pas perdre l'équilibre :** vous aurez alors un meilleur contrôle de l'outil électrique dans les situations imprévues.
5. **Habillez-vous en conséquence. Ne portez ni vêtements amples ni bijoux. Maintenez les cheveux, les vêtements et les gants éloignés de toutes les pièces mobiles :** les vêtements amples, les bijoux ou les cheveux longs peuvent se prendre dans les pièces mobiles.

Utilisation et entretien des outils électriques

1. **Ne forcez pas l'outil électrique. Utilisez l'outil électrique adéquat pour la tâche à entreprendre :** il effectuera mieux son travail et sera plus sûr s'il est utilisé de la façon pour laquelle il a été conçu.
2. **N'utilisez pas l'outil électrique si l'interrupteur ne réussit pas à le mettre en marche ou à l'arrêter :** un outil électrique qui ne répond pas aux commandes de l'interrupteur est dangereux et doit être réparé.
3. **Débranchez la fiche de la source d'alimentation électrique et/ou du bloc-piles de l'outil électrique avant de procéder à des réglages, de changer d'accessoire ou de le remiser :** ces mesures préventives de sécurité visent à réduire le risque de démarrage accidentel de l'outil électrique.
4. **Remisez les outils électriques dans un endroit inaccessible aux enfants et ne les laissez jamais utiliser par des personnes qui ne sont pas familiarisées avec leur notice d'utilisation :** les outils électriques sont dangereux lorsqu'ils sont entre les mains d'utilisateurs inexpérimentés.
5. **Entretenez vos outils électriques. Vérifiez si les pièces mobiles sont correctement alignées et ne grippent pas, si des pièces sont cassées, et tout ce qui pourrait compromettre le bon fonctionnement des outils électriques. Si un outil électrique est endommagé, faites-le réparer avant de l'utiliser :** les outils électriques mal entretenus sont à l'origine de nombreux accidents.
6. **Maintenez les outils tranchants bien affûtés et propres :** les outils ayant des tranchants bien affûtés sont moins susceptibles de gripper et sont plus maniables.
7. **Utilisez l'outil électrique et ses accessoires en respectant ces instructions et assurez-vous de tenir compte des conditions de travail et de la tâche à effectuer :** l'utilisation de l'outil électrique pour des travaux différents de ceux auxquels il est destiné peut être à l'origine de situations dangereuses.

Utilisation et entretien des batteries

1. Rechargez uniquement en utilisant le chargeur spécifié par le fabricant. Un chargeur qui est adapté pour un type de blocs-piles peut présenter un risque d'incendie lorsqu'il est utilisé avec un autre type de blocs-piles.
2. Utilisez les outils électriques uniquement avec les blocs-piles spécifiquement indiqués. L'utilisation d'un autre type de blocs-piles peut présenter un risque de blessure et d'incendie.
3. Ne provoquez pas de court-circuit : lorsque vous n'utilisez pas le bloc-piles, rangez-le à l'écart d'autres objets métalliques, par exemple des trombones, pièces de monnaie, clés, clous, vis ou autres petits objets métalliques qui peuvent établir un contact entre les deux bornes. Le court-circuit des bornes d'une batterie peut être à l'origine de brûlures ou d'un incendie.
4. Du liquide peut être éjecté d'une batterie malmenée; évitez tout contact avec le liquide. En cas de contact accidentel, rincez abondamment à l'eau. En cas de contact du liquide avec les yeux, consultez un médecin. Le liquide qui s'échappe de la batterie peut causer une irritation ou des brûlures.
5. Le bloc-piles fourni avec votre taille-haie n'est que partiellement chargé. Le bloc-piles doit être complètement chargé avant d'utiliser l'outil pour la première fois.
6. Pour un rendement optimal du bloc-piles, évitez d'attendre qu'il soit presque déchargé et chargez-le fréquemment.
7. Rangez le bloc-piles dans un endroit frais, idéalement à 25 °C et à charge complète.
8. Les batteries au lithium-ion s'usent naturellement avec le temps. Le bloc-piles doit être remplacé au plus tard lorsque sa capacité chute à 80 % de sa capacité d'origine, neuf. Les cellules affaiblies dans un bloc-piles usé ne peuvent plus produire la forte intensité exigée pour que votre taille-haie fonctionne normalement, ce qui présente un risque pour la sécurité.
9. Ne jetez pas le bloc-piles dans un feu nu, ce qui pourrait le faire exploser.
10. Ne mettez pas le feu au bloc-piles et ne l'exposez pas à une flamme.
11. Ne déchargez jamais complètement le bloc-piles. Les cellules d'une batterie complètement déchargée seront endommagées. Le rangement prolongé et la non-utilisation de batteries partiellement déchargées sont les causes les plus communes de décharge de batterie jusqu'à épuisement. Arrêtez votre travail dès que vous remarquez que la puissance de la batterie chute ou dès que le système de protection électronique se déclenche. Rangez le bloc-piles uniquement s'il est à charge complète.
12. Protégez la batterie et l'appareil contre les surcharges. Les surcharges donneront rapidement lieu à une surchauffe et endommageront les cellules à l'intérieur du boîtier de batterie, même si cette surchauffe n'est pas visible de l'extérieur.

13. Évitez d'endommager la batterie et de la soumettre à des chocs. Remplacez immédiatement toute batterie qui est tombée d'une hauteur supérieure à un mètre ou qui a été soumise à des chocs violents, même si le boîtier du bloc-piles ne semble pas endommagé. Les cellules à l'intérieur de la batterie peuvent avoir été gravement endommagées. Dans ce cas, veuillez lire les renseignements sur l'élimination des déchets en ce qui concerne les batteries.
14. Si le bloc-piles souffre d'une surcharge ou d'une surchauffe, le coupe-circuit de protection intégré coupe le moteur de l'appareil pour des raisons de sécurité.
IMPORTANT! N'appuyez plus sur la gâchette si le coupe-circuit de protection a été activé. Ceci pourrait endommager le bloc-piles.
15. N'utilisez pas un bloc-piles, un appareil ou un outil endommagé ou modifié. Les batteries endommagées ou modifiées peuvent se comporter de manière imprévisible et provoquer un incendie ou une explosion ou présenter un risque de blessure.
16. N'exposez ni bloc-piles, ni outil, ni appareil au feu ou à une température excessive. Une exposition à un feu ou une température supérieure à 130 °C peut déclencher une explosion.
17. Suivez toutes les instructions de charge de bloc-piles, d'outil ou d'appareil en veillant à ne jamais procéder à cette opération à une température en dehors de la plage spécifiée dans ces instructions. Charger une batterie de façon inappropriée ou à une température en dehors de la plage spécifiée peut l'endommager et augmenter le risque d'incendie.
18. Utiliser les outils électriques uniquement avec les blocs-piles spécifiquement indiqués. L'utilisation d'un autre type de blocs-piles peut présenter un risque de blessure et d'incendie.


Entretien et réparation

Faites réparer ou entretenir l'outil électrique par un réparateur qualifié utilisant uniquement des pièces de rechange identiques. C'est à ce prix que la sécurité de l'outil électrique sera préservée.

Règles de sécurité supplémentaires pour les taille-haies

1. Maintenez toutes les parties du corps éloignées de la lame de coupe. Lorsque la lame de coupe est en mouvement, rien ne doit être retiré ou tenu à la main pour être scié. Avant de retirer tout ce qui coince, assurez-vous que l'interrupteur est à la position d'arrêt. La lame s'arrête progressivement une fois que la gâchette est relâchée. Lorsque vous utilisez le taille-haie, un moment d'inattention peut se traduire par de graves blessures.
2. Transportez le taille-haie par le manche, la lame de coupe étant à l'arrêt complet. En maniant le taille-haie de façon appropriée, vous réduirez le risque que la lame vous blesse. Lorsque vous transportez ou rangez le taille-haie, placez toujours le couvercle de l'appareil de coupe.

3. Saisissez l'outil électrique en plaçant la main uniquement sur la surface isolée prévue à cet effet, car la lame de coupe peut entrer en contact avec un câble dissimulé ou le cordon. Lorsque la lame touche un fil ou un câble « sous tension », les pièces métalliques non isolées de l'outil électrique peuvent elles aussi être « sous tension » et électrocuter l'utilisateur.

 **DANGER!** Tenir les mains éloignées de la lame. Tout contact avec la lame pourrait entraîner de graves blessures.

4. Retirez toute lame de coupe qui a été endommagée. Avant chaque utilisation, assurez-vous toujours que la lame de coupe est solidement posée et attachée. Sinon, vous vous exposez à de graves blessures.
5. Saisissez fermement les deux poignées avant de tailler en utilisant la lame. Maintenez la lame de coupe éloignée du corps.
6. Tenez le taille-haie de façon appropriée, par exemple des deux mains si l'outil le permet. Toute perte de contrôle peut être à l'origine de blessures.
7. Avant d'utiliser l'outil, inspectez la haie pour vérifier qu'elle ne dissimule aucun corps étranger, par exemple des clôtures de fil de fer. Veillez à ce que la lame de coupe ne vienne pas en contact avec un fil ou tout autre objet métallique.
8. Toute intervention sur l'outil doit être effectuée uniquement par du personnel qualifié. Les réparations et entretiens effectués par du personnel non qualifié sont susceptibles de blesser l'utilisateur ou d'endommager l'outil.
9. Utilisez le taille-haie et les accessoires conformément à ces instructions et assurez-vous de tenir compte des conditions de travail et de la tâche à effectuer. L'utilisation de l'outil électrique pour des travaux différents de ceux pour lesquels il a été conçu pourrait créer une situation dangereuse.
10. Ne touchez pas les pièces mobiles avant d'avoir retiré le bloc-piles et patientez jusqu'à ce qu'elles s'arrêtent complètement, car elles sont dangereuses.
11. N'utilisez pas l'outil par mauvais temps, surtout quand la foudre risque de tomber.
12. Inspectez la zone à tailler et retirez tout ce qui pourrait gêner vos travaux. S'il y a des corps étrangers que vous ne pouvez pas retirer, par exemple une clôture de fil de fer, veuillez les marquer et vous souvenir d'éviter de les toucher lorsque vous taillez.

Formation

1. Lisez attentivement les instructions. Familiarisez-vous bien avec les commandes et l'utilisation appropriée de l'outil.
2. Ne laissez jamais l'outil entre les mains d'enfants ou de personnes qui ne se sont pas familiarisées avec ces instructions. Les réglementations locales peuvent exiger que l'utilisateur de cet outil ait un âge minimal.

3. Gardez à l'esprit que l'utilisateur de l'outil est responsable des accidents dont d'autres personnes peuvent être victimes ou des dangers auxquels sont exposés ces personnes ou leurs biens.

Préparation

1. Cet outil peut provoquer des blessures graves. Lisez attentivement les instructions concernant la manière appropriée de tenir, préparer, entretenir, démarrer et arrêter l'outil. Familiarisez-vous bien avec toutes les commandes et avec l'utilisation appropriée de l'outil.
2. Ne laissez jamais les enfants utiliser le taille-haie.
3. Faites attention aux lignes aériennes d'électricité.
4. N'utilisez jamais l'outil quand des personnes, surtout si ce sont des enfants, ou des animaux familiers sont à proximité.
5. Habillez-vous en conséquence. Ne portez ni vêtements amples ni bijoux qui pourraient se prendre dans les pièces mobiles. Il est recommandé de porter des gants résistants, des chaussures à semelle antidérapante et des lunettes de sécurité.
6. Lorsque vous utilisez l'outil, portez en permanence des lunettes de protection et des chaussures renforcées.
7. Si le dispositif de coupe heurte un corps étranger ou si l'outil commence à produire un son ou des vibrations inhabituels, arrêtez l'outil, retirez la batterie, laissez l'outil s'arrêter complètement et procédez aux étapes suivantes :
 - inspectez l'outil pour vérifier qu'il n'est pas endommagé;
 - vérifiez qu'aucune pièce n'est desserrée et resserrez au besoin;
 - faites remplacer ou réparer les pièces endommagées en utilisant des pièces ayant les mêmes caractéristiques.

Utilisation

1. Utilisez l'outil uniquement à la lumière du jour ou sous un bon éclairage artificiel.
2. N'utilisez jamais l'outil si les dispositifs de sécurité ou de protection sont endommagés ou ne sont pas en place.
3. Gardez en permanence les mains et les pieds éloignés du dispositif de coupe, surtout quand vous démarrez le moteur.
4. Avant d'utiliser l'outil et après un choc quelconque, vérifiez qu'il ne présente aucun signe d'usure ou n'est pas endommagé et réparez au besoin.
5. Retirez toujours la batterie
 - toutes les fois que vous laissez l'outil sans surveillance;
 - lors du réglage de la position de la lame de coupe;
 - avant de décroincer l'outil;
 - avant d'effectuer une vérification de l'outil, de le nettoyer ou d'intervenir dessus;
 - après qu'il ait heurté un corps étranger;

– toutes les fois que l'outil commence à vibrer anormalement.

6. Avant de démarrer le moteur, assurez-vous que le taille-haie est dans une position d'utilisation adéquate.
7. Pendant l'utilisation du taille-haie, assurez-vous toujours que la position d'utilisation est sûre et ne présente aucun danger, surtout si vous travaillez sur des marches ou une échelle.
8. N'utilisez pas le taille-haie si le dispositif de coupe est endommagé ou excessivement usé.
9. Lorsque vous utilisez le taille-haie, assurez-vous toujours que les poignées et les dispositifs de sécurité sont bien attachés. N'essayez jamais d'utiliser le taille-haie s'il n'est pas complètement assemblé ou si une modification non autorisée a été effectuée dessus.
10. Utilisez toujours les deux mains pour travailler avec un taille-haie équipé de deux poignées.
11. Restez toujours conscient de ce qui vous entoure et soyez vigilant et à l'affût des dangers potentiels dont vous ne pouvez pas toujours avoir conscience en raison du bruit de l'outil.
12. Veillez à ce que la lame de coupe ne vous blesse ni les mains ni les pieds.
13. Assurez-vous toujours que les ouvertures d'aération ne sont pas obstruées par des débris.
14. Lorsque vous utilisez cet outil, portez des chaussures montantes à semelle antidérapante et des vêtements de protection.
15. Restez toujours sur vos deux pieds et utilisez l'outil uniquement quand vous êtes debout sur une surface de niveau, stable et ne présentant aucun danger. Changez régulièrement de position de travail pour éviter la fatigue et vous assurer de travailler en permanence dans une position confortable.
16. N'utilisez jamais de pièces de rechange ou d'accessoires non fournis ou recommandés par le fabricant.
17. L'utilisation de cet outil peut être restreinte par des réglementations régionales ou locales.

Réduction des vibrations et du bruit

Pour réduire l'impact du bruit et la propagation des vibrations, limitez la durée d'utilisation, passez sur un mode d'utilisation produisant peu de vibrations et de bruit et portez également un équipement de protection individuelle.

Tenez compte des points suivants afin de réduire au minimum les risques d'exposition aux vibrations et au bruit.

1. Utilisez l'outil uniquement pour les travaux pour lesquels il a été conçu et suivez les instructions du fabricant.
2. Assurez-vous que l'outil est en bon état et qu'il est bien entretenu.
3. Utilisez les accessoires appropriés pour l'outil et assurez-vous qu'ils sont en bon état.
4. Tenez fermement des deux mains la poignée et le manche.

5. Entretenez cet outil en suivant les instructions fournies dans ce manuel et, le cas échéant, veillez à ce qu'il soit toujours bien lubrifié.
6. Planifiez votre programme de travail pour répartir dans le temps les effets des fortes vibrations de l'outil.

Urgence

Familiarisez-vous avec l'utilisation de cet outil au moyen de ce manuel d'instructions. Mémorisez les consignes de sécurité et suivez-les à la lettre. Ceci vous aidera à mieux prévenir les risques et les dangers.

1. Soyez toujours vigilant lorsque vous utilisez cet outil : vous pourrez mieux anticiper les risques. Une intervention rapide peut vous éviter de graves blessures et des dommages matériels importants.
2. Si l'outil fonctionne mal, arrêtez-le et retirez la batterie. Faites vérifier l'outil par un professionnel qualifié et, au besoin, faites-le réparer avant de l'utiliser de nouveau.

Risques résiduels

Même si vous utilisez cet outil en respectant les consignes de sécurité, il y a toujours un risque potentiel de dommages corporels et matériels. La structure et la conception de cet outil peuvent présenter les dangers suivants :

1. Problèmes de santé résultant de la propagation de vibrations si l'outil est utilisé pendant de longues périodes ou s'il n'est pas utilisé à bon escient et mal ou insuffisamment entretenu.
2. Dommages corporels et matériels dus à l'utilisation d'accessoires de coupe cassés ou au choc soudain avec des corps étrangers cachés.
3. Danger de dommages corporels et matériels provoqués par des débris volants.

⚠️ AVERTISSEMENT! Cet outil produit un champ électromagnétique pendant son utilisation. Ce champ peut, dans certaines circonstances, interférer avec des prothèses actives ou passives! Pour réduire le risque de blessures graves ou mortelles, nous recommandons que les personnes ayant des prothèses consultent leur médecin et le fabricant des prothèses avant d'utiliser cet outil.

Consignes de sécurité concernant la batterie et le chargeur

Nous avons consacré beaucoup de temps à la conception de chaque bloc-piles afin de nous assurer de vous fournir des batteries qui peuvent être utilisées sans danger, sont robustes et ont une énergie volumique élevée. Les cellules des batteries sont dotées d'un large éventail de dispositifs de sécurité. Chaque cellule individuelle est initialement formatée et ses courbes électriques caractéristiques sont enregistrées. Ces données sont ensuite utilisées exclusivement pour pouvoir assembler les meilleurs blocs-piles possible.

Malgré toutes ces mesures de précaution, il faut toujours faire preuve de prudence lors de la manipulation de batteries. Pour utiliser sans danger les batteries, les points suivants doivent être observés en permanence. L'utilisation sans danger peut uniquement être garantie si les cellules sont intactes. Toute manipulation inappropriée d'un bloc-piles peut endommager les cellules.

IMPORTANT! Les analyses confirment que la mauvaise utilisation de batteries à haut rendement et un entretien laissant à désirer sont les principaux facteurs responsables de dommages corporels et/ou matériels.

⚠️ AVERTISSEMENT! Utiliser uniquement des batteries de rechange homologuées. D'autres types de batteries peuvent endommager le taille-haie et empêcher son bon fonctionnement.

⚠️ MISE EN GARDE! Pour réduire le risque de blessure, charger le bloc-piles au lithium-ion 24V iON+ uniquement dans le chargeur au lithium-ion 24V iON+ désigné. Les autres types de chargeurs présentent des risques d'incendie et de dommages corporels et matériels. Ne brancher aucun bloc-piles sur le secteur ou l'allume-cigare d'une voiture. Le bloc-piles serait définitivement et irrémédiablement endommagé.

- **Évitez les environnements dangereux :** ne chargez pas les blocs-piles sous la pluie, sous la neige ou dans les endroits humides. N'utilisez pas le bloc-piles ou le chargeur lorsque l'atmosphère est explosive (effluents gazeux, poussière ou matières inflammables), des étincelles pouvant se produire lors de l'insertion ou du retrait du bloc-piles, ce qui pourrait provoquer un incendie.
- **Chargez dans un endroit bien ventilé :** ne bloquez pas les orifices de ventilation du chargeur. Dégagez le voisinage immédiat du chargeur pour qu'il soit bien ventilé. Interdisez de fumer et n'autorisez la présence d'aucune flamme nue à proximité d'un bloc-piles se chargeant. Le gaz dispersé dans l'atmosphère peut exploser.

REMARQUE : la plage de sécurité de températures pour la batterie est comprise entre 5 °C et 40,5 °C. Ne chargez pas la batterie à l'extérieur lorsqu'il gèle, chargez-la à température ambiante.

- **Prenez soin du cordon du chargeur :** lorsque vous débranchez le chargeur, pour éviter d'endommager la fiche électrique et le cordon, tirez sur la fiche dans la prise et non sur le cordon. Ne tirez jamais le chargeur par le cordon et ne tirez pas brusquement sur le cordon pour le retirer de la prise. Maintenez le cordon éloigné de la chaleur, de l'huile et des arêtes tranchantes. Pendant l'utilisation du chargeur, assurez-vous que personne ne marche sur le cordon, ne trébuche dessus et qu'il ne peut être ni endommagé ni soumis à des tensions ou des pressions. N'utilisez pas le chargeur si sa fiche ou son cordon est endommagé. Remplacez immédiatement tout chargeur endommagé.

- **N'utilisez pas de rallonge électrique, à moins que cela soit absolument nécessaire** : l'utilisation d'une rallonge électrique mal adaptée, endommagée ou mal branchée présente des risques d'incendie et de secousse électrique. S'il s'avère nécessaire d'utiliser une rallonge électrique, branchez le chargeur dans une rallonge électrique de calibre 16 ou plus gros, la fiche femelle correspondant à la fiche mâle sur le chargeur. Vérifiez que la rallonge électrique est en bon état.
- **Le chargeur 24VCHRG-AC est prévu uniquement pour 100-240 VCA** : il doit être branché dans une prise appropriée.
- **Utilisez uniquement des accessoires recommandés** : l'utilisation d'un accessoire non recommandé ou vendu par le fabricant du bloc-piles ou du chargeur peut provoquer un incendie, une secousse électrique ou des blessures.
- **Débranchez tout chargeur non utilisé** : assurez-vous de retirer le bloc-piles d'un chargeur débranché.

⚠ AVERTISSEMENT! Pour réduire le risque de secousse électrique, toujours débrancher le chargeur avant d'effectuer un nettoyage ou un entretien. Ne pas laisser d'eau couler dans le chargeur. Pour réduire le risque d'électrocution, utiliser un disjoncteur différentiel de fuite de terre (DDFT).

- **Ne brûlez pas ou n'incinerez pas le bloc-piles** : il peut exploser et provoquer des dommages corporels ou matériels. Des émanations et des particules toxiques se dégagent d'un bloc-piles qui brûle.
- **N'écrasez pas, ne faites pas tomber ou n'endommagez pas le bloc-piles** : n'utilisez pas le bloc-piles ou le chargeur s'il a reçu un coup brutal, s'il est tombé, s'il a été écrasé ou endommagé d'une façon ou d'une autre (c.-à-d., percé par un clou, frappé d'un coup de marteau, foulé au pied, etc.).
- **Ne démontez rien** : un remontage mal effectué peut présenter un risque important de secousse électrique, d'incendie ou d'exposition aux produits chimiques de la batterie. Si la batterie ou le chargeur sont endommagés, veuillez communiquer avec un revendeur Snow Joe® + Sun Joe® agréé ou appeler le service clientèle Snow Joe® + Sun Joe® au 1-866-SNOWJOE (1-866-766-9563).
- **Les produits chimiques de la batterie peuvent occasionner de graves brûlures** : ne laissez jamais un bloc-piles endommagé entrer en contact avec la peau, les yeux ou la bouche. Si un bloc-piles endommagé laisse fuir des produits chimiques, utilisez des gants en caoutchouc ou en néoprène pour les éliminer sans danger. Si la peau est entrée en contact avec les fluides d'une batterie, lavez la zone affectée à l'eau et au savon et rincez au vinaigre. Si les yeux sont entrés en contact avec les produits chimiques d'une batterie, rincez immédiatement à grande eau pendant 20 minutes et consultez un médecin. Retirez les vêtements contaminés et jetez-les.
- **Rangez le bloc-piles et son chargeur dans un endroit frais et sec** : ne rangez pas le bloc-piles ou le chargeur lorsque la température peut être supérieure à 40,5 °C, par exemple directement sous les rayons du soleil, à l'intérieur d'un véhicule ou dans un cabanon en métal pendant l'été.

Renseignements sur le chargeur et le processus de charge

1. Veuillez vérifier les données marquées sur la plaque signalétique du chargeur de batterie. Assurez-vous de brancher le chargeur de batterie sur une source d'alimentation correspondant à la tension indiquée sur la plaque signalétique. Ne le branchez jamais sur une tension de secteur différente.
2. Protégez le chargeur de batterie et son cordon pour éviter de les endommager. Maintenez le chargeur et son cordon éloignés de la chaleur, de l'huile et des objets tranchants. Faites réparer sans délai les cordons endommagés par un technicien qualifié chez un revendeur Snow Joe® + Sun Joe® ou appelez le service à la clientèle Snow Joe® + Sun Joe® au 1-866-SNOWJOE (1-866-766-9563).
3. Les fiches électriques doivent correspondre à la prise. N'apportez aucune modification, quelle qu'elle soit, à la fiche. N'utilisez pas de fiche d'adaptation avec les appareils mis à la terre. Des fiches non modifiées et des prises correspondantes réduiront le risque de secousse électrique.
4. Maintenez hors de portée des enfants le chargeur de batterie, le bloc-piles et l'outil sans cordon.
5. N'utilisez pas le chargeur de batterie qui est fourni pour charger d'autres outils sans cordon.
6. Le bloc-piles devient chaud après une utilisation prolongée. Laissez le bloc-piles se refroidir à la température ambiante avant de l'insérer dans le chargeur pour le charger.
7. Ne chargez pas la batterie de façon excessive. Ne dépassez pas le temps maximal de charge. Ce temps de charge ne s'applique qu'aux batteries déchargées. Recharger fréquemment un bloc-piles chargé ou partiellement chargé provoquera une surcharge et endommagera les cellules. Ne laissez pas la batterie dans le chargeur pendant plusieurs jours consécutifs.
8. N'utilisez ou ne chargez jamais la batterie si vous soupçonnez qu'il y a plus de 12 mois qu'elle a été chargée pour la dernière fois. Il est extrêmement probable que le bloc-piles soit déjà dangereusement endommagé (décharge complète).
9. Si vous chargez la batterie à une température inférieure à 5 °C, vous endommagez les produits chimiques des cellules, ce qui peut provoquer un incendie.









Protection contre les influences environnementales

1. Portez des vêtements de travail adaptés. Portez des lunettes de sécurité.
2. Protégez votre outil sans cordon et le chargeur de batterie contre l'humidité et la pluie. L'humidité et la pluie peuvent endommager dangereusement les cellules.
3. N'utilisez pas l'outil sans cordon ou le chargeur de batterie près de vapeurs ou de liquides inflammables.
4. Utilisez le chargeur de batterie et les outils sans cordon uniquement en milieu sec et à une température ambiante comprise entre 5 °C et 40,5 °C.

5. Ne conservez pas le chargeur de batterie dans les endroits où la température est susceptible d'être supérieure à 40,5 °C. Ne laissez surtout pas le chargeur de batterie dans une voiture qui stationne au soleil.
6. Protégez les batteries contre les surcharges.
Les surcharges et l'exposition directe aux rayons du soleil entraînent une surchauffe des cellules et les endommagent. Ne chargez ou n'utilisez jamais une batterie qui a surchauffé : au besoin, remplacez-la immédiatement.
7. Rangez le chargeur et votre outil sans cordon uniquement dans un endroit sec où la température ambiante est comprise entre 5 °C et 40,5 °C. Rangez votre bloc-piles au lithium-ion dans un endroit frais et sec à une température de 25 °C. Protégez le bloc-piles, le chargeur et l'outil sans cordon contre l'humidité et les rayons du soleil directs. Rangez uniquement la batterie lorsqu'elle est à charge complète.
8. Veillez à ce que le bloc-piles au lithium-ion ne gèle pas. Les blocs-piles qui ont été entreposés à une température inférieure à 0 °C pendant plus de 60 minutes doivent être éliminés.
9. Lorsque vous manipulez une batterie, prenez garde aux décharges électrostatiques, car elles peuvent endommager le système de protection électronique et les cellules de la batterie. Évitez de produire des charges électrostatiques et ne touchez jamais les pôles de la batterie.

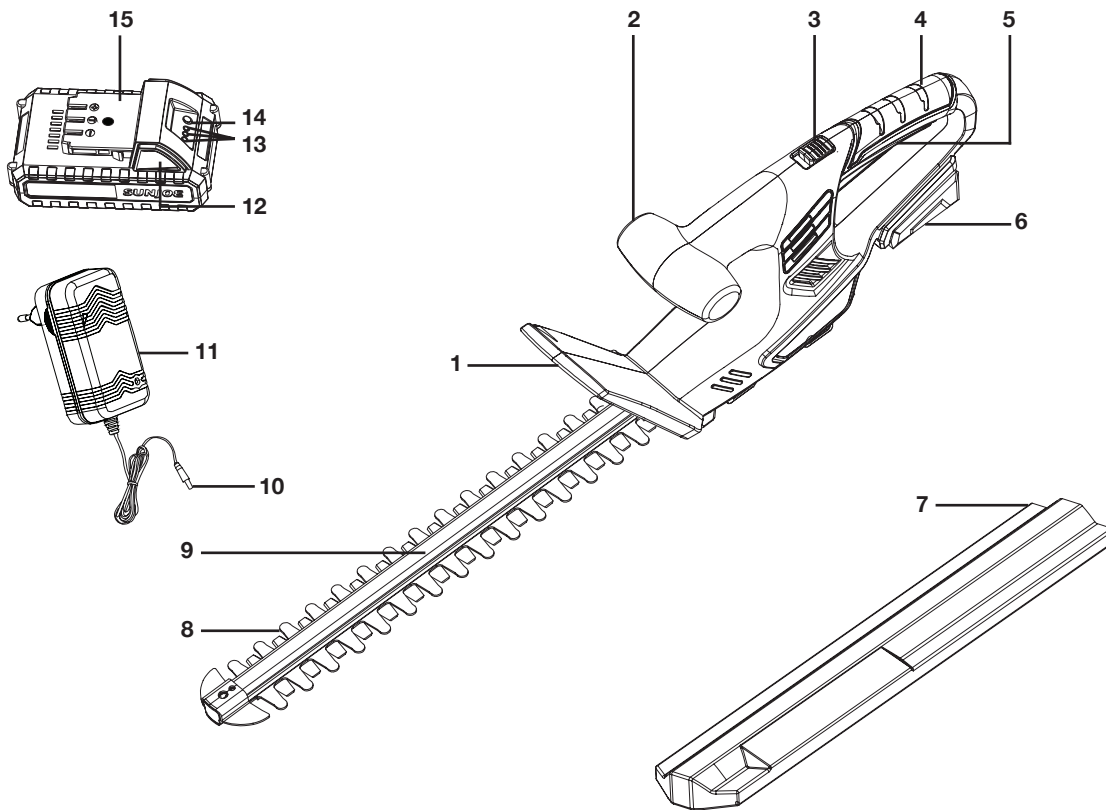
Symboles de sécurité

Le tableau suivant décrit et explique les symboles de sécurité pouvant être marqués sur cet outil. Avant d'essayer de procéder à son assemblage et de l'utiliser, lisez, comprenez et suivez toutes les instructions sur cet outil.

Symboles	Descriptions	Symboles	Descriptions
	LIRE LE OU LES MANUELS D'UTILISATION – Lire, comprendre et suivre toutes les instructions du ou des manuels avant d'essayer d'assembler et d'utiliser l'outil.		ALERTE DE SÉCURITÉ – Indique une précaution, un avertissement ou un danger.
	AVERTISSEMENT! Ne pas utiliser l'outil sous la pluie ou par forte humidité.		PORT OBLIGATOIRE DE LUNETTES DE SÉCURITÉ ET DE PROTECTEURS D'OREILLE – Pour éviter de se blesser, porter des protecteurs d'oreille et des lunettes de sécurité.
	Porter des gants de protection et des chaussures à semelle antidérapante pour utiliser l'outil et manipuler les débris.		DANGER! LAME ROTATIVE – Tenir les mains et les pieds éloignés des ouvertures quand le moteur du taille-haie est en marche.
	Maintenir les spectateurs à bonne distance de la zone de travail.		Utilisation uniquement à l'intérieur. Utiliser uniquement le chargeur de batterie à l'intérieur.

Apprenez à mieux connaître votre taille-haie sans cordon

Avant d'utiliser votre taille-haie sans cordon, lisez attentivement le manuel d'utilisation et les consignes de sécurité. Pour vous familiariser avec l'emplacement des différents réglages et commandes, comparez l'illustration ci-dessous avec votre taille-haie sans cordon. Conservez ce manuel pour pouvoir le consulter dans le futur.



- | | | |
|-------------------------------|---|---|
| 1. Dispositif de protection | 7. Couvre-lame | 12. Bouton-poussoir de verrouillage |
| 2. Poignée avant | 8. Lame | 13. Témoins de charge de batterie |
| 3. l'interrupteur de sécurité | 9. Support de lame | 14. Bouton-poussoir pour témoins de charge de batterie |
| 4. Poignée arrière | 10. Chargeur de batterie au lithium-ion 24V iON+ (24VCHRG-AC) | 15. Batterie au lithium-ion 24V iON+ (24VBAT-LTE) présentant la technologie exclusive EcoSharp® |
| 5. Gâchette marche-arrêt | 11. Fiche du chargeur | |
| 6. Compartiment à batterie | | |

Données techniques

Moteur	250 W	Mouvement de la lame	Double action
Tension max. de la batterie*	24 VCC	Matériau de la lame	Fer forgé antirouille
Capacité de la batterie	2,0 Ah	Longueur de lame	45,7 cm
Entrée du chargeur.....	100 – 240 VCA	Diamètre max. de coupe.....	14 mm
	50 – 60 Hz, 50 W	Régime	2 800 tr/min
Sortie du chargeur.....	25,2 VCC $\overline{\text{---}}$ 1 400 mA	Poids net	2,3 kg
Temps de charge max.	1 hr 20 min		

*Tension initiale à vide; grimpe à 24 volts une fois à charge complète; la tension nominale sous charge typique est de 21,6 volts.

Déballage

Contenu de la caisse

- Taille-haie sans cordon
- Couvre-lame
- Batterie au lithium-ion 24V iON+
- Chargeur au lithium-ion 24V iON+
- Manuel et carte d'enregistrement

1. Retirez soigneusement le taille-haie sans cordon de la caisse et inspectez-le pour vérifier que tous les éléments énumérés ci-dessus sont fournis.
2. Inspectez soigneusement le contenu afin de vous assurer qu'aucun élément ne s'est cassé ou n'a été endommagé pendant le transport. Si vous constatez que des pièces manquent ou sont endommagées, NE PAS retourner la caisse au magasin. Veuillez appeler le service clientèle Snow Joe® + Sun Joe® au 1-866-SNOWJOE (1-866-766-9563).

REMARQUE : ne jetez pas la caisse d'expédition et l'emballage tant que vous n'êtes pas prêt à utiliser le taille-haie sans cordon. L'emballage est fabriqué dans des matériaux recyclables. Éliminez ces matériaux de façon appropriée et conformément à la réglementation ou conservez l'emballage pour le remisage de longue durée de l'outil.

IMPORTANT! L'outil et son emballage ne sont pas des jouets. Ne laissez pas les enfants jouer avec les sacs en plastique, les feuilles métalliques ou les petites pièces. Ces éléments peuvent être avalés et risquent de provoquer une suffocation!






Utilisation du bloc-piles

L'outil est alimenté par une batterie au lithium-ion. Le bloc-piles est entièrement scellé et sans entretien.

Témoins de charge de batterie

Le bloc-piles est équipé d'un bouton-poussoir pour vérifier le niveau de charge. Appuyez simplement sur le bouton-poussoir pour lire le niveau de charge de la batterie à l'aide des témoins de charge :

- Les témoins de charge sont tous les quatre allumés : le niveau de charge de batterie est maximal.
- Trois témoins de charge sont allumés : le niveau de charge de batterie est élevé.
- Deux témoins de charge sont allumés : le niveau de charge de batterie diminue. Arrêtez votre travail dès que possible.
- Un témoin de charge est allumé : la batterie est épuisée. Arrêtez IMMÉDIATEMENT votre travail et chargez la batterie. Sinon, la longévité de la batterie s'en trouvera considérablement réduite.

	
Témoins	Indications
	Bouton de niveau de charge
	La batterie est à 30 % de sa capacité et nécessite d'être chargée
	La batterie est à 60 % de sa capacité et nécessite d'être chargée bientôt
	La batterie est à charge complète

REMARQUE : si le bouton de niveau de charge ne semble pas fonctionner, placez au besoin le bloc-piles dans le chargeur et chargez.

Immédiatement après avoir utilisé le bloc-piles, le bouton de niveau de charge peut afficher une charge plus faible que si la vérification avait eu lieu quelques minutes plus tard. Les cellules de la batterie « récupèrent » une partie de leur charge après une période de repos.

Utilisation du chargeur

⚠️ AVERTISSEMENT! Charger uniquement les blocs-piles au lithium-ion 24V iON+ dans leur chargeur au lithium-ion 24V iON+ compatible. Les autres types de batteries peuvent causer des dommages corporels et matériels. Pour réduire le risque de secousse électrique, ne laissez pas d'eau couler dans la fiche du chargeur CA/CC.

Quand charger la batterie au lithium-ion iON+ 24VBAT-LTE

REMARQUE : les blocs-piles au lithium-ion iON+ 24VBAT-LTE ne présentent pas « d'effet mémoire » lorsqu'ils sont chargés après une simple décharge partielle. C'est pourquoi il n'est pas nécessaire d'épuiser le bloc-piles avant de l'insérer dans le chargeur.

- Utilisez les témoins indicateurs de charge pour déterminer quand charger votre bloc-piles au lithium-ion iON+ 24VBAT-LTE.
- Vous pouvez « compléter » la charge du bloc-piles avant de démarrer un gros travail ou après une longue journée d'utilisation.

Comment charger la batterie

1. Appuyez sur les boutons-poussoirs de verrouillage sur le bloc-piles pour le sortir de l'outil en le tirant (Fig. 1).

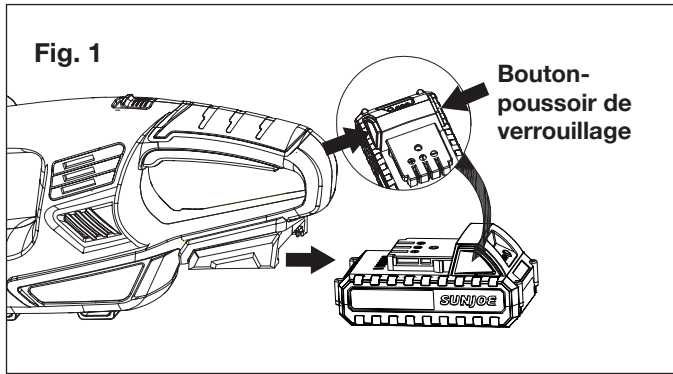


Fig. 1

Bouton-poussoir de verrouillage

2. Vérifiez que la tension de secteur est la même que celle marquée sur la plaque signalétique du chargeur de batterie. Branchez ensuite l'adaptateur de chargeur dans une prise de secteur appropriée. Pour commencer à charger, branchez la fiche du chargeur dans la prise de charge de la batterie (Fig. 2).

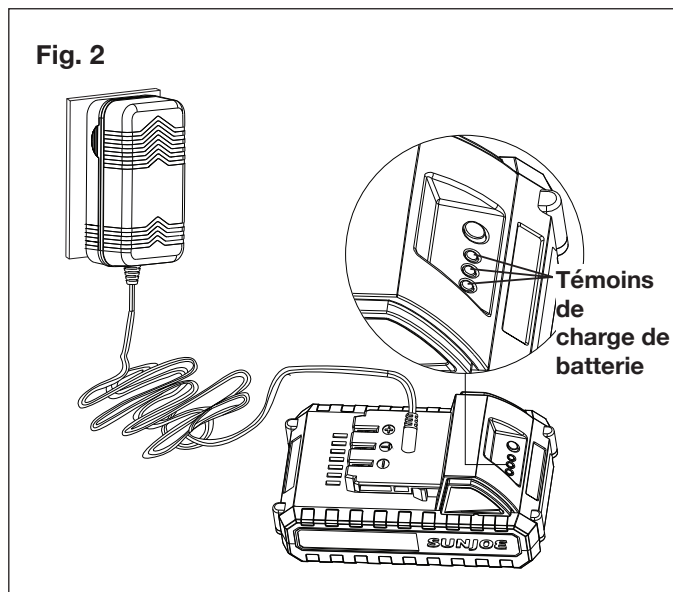


Fig. 2

Témoins de charge de batterie

3. Il faut environ 80 minutes pour recharger la batterie. Les témoins de charge de batterie scintilleront et s'allumeront un par un pendant le processus de charge. Débranchez immédiatement le chargeur quand les trois témoins de charge sont allumés.

⚠ MISE EN GARDE! RISQUE D'INCENDIE. S'assurer de débrancher d'abord le chargeur de la prise, puis débrancher le chargeur de la batterie.

⚠ AVERTISSEMENT! Ce chargeur ne s'éteint pas automatiquement quand la batterie est à charge complète. Veiller à ne pas laisser la batterie branchée dans le chargeur. Éteindre le chargeur ou le débrancher du secteur une fois que la batterie est à charge complète.

4. Recharger la batterie au moment opportun prolongera la durée de vie de la batterie. Vous devez recharger le bloc-piles quand vous remarquez une chute de puissance de l'outil.

IMPORTANT! Ne laissez jamais le bloc-piles se décharger complètement, car ceci endommagerait irrémédiablement la batterie.

Assemblage

Ce taille-haie sans cordon est expédié en étant complètement assemblé.

Utilisation

⚠ AVERTISSEMENT! L'utilisateur d'outils électriques doit toujours porter des lunettes de sécurité ou des lunettes de protection équipées d'écrans latéraux. Toute personne ne tenant pas compte de cet avertissement court le risque d'avoir des objets projetés dans les yeux et de se blesser gravement.

⚠ AVERTISSEMENT! Ne pas utiliser d'accessoires non recommandés par le fabricant de cet outil. L'utilisation d'accessoires non recommandés peut être à l'origine de graves blessures.

Comment tenir le taille-haie

Avant d'utiliser le taille-haie, placez-vous debout et effectuez les vérifications suivantes :

1. Vous portez tout l'équipement de protection individuelle nécessaire, notamment des gants de protection, des chaussures antidérapantes, des lunettes de sécurité, des protecteurs d'oreille et des vêtements serrés près du corps.
2. Vous tenez l'outil des deux mains et fermement. Votre bras droit est légèrement arrondi, la main tenant la poignée arrière; le bras gauche est tendu, la main tenant la poignée avant.
3. Vous êtes debout, sur vos deux pieds, et vous tenez le taille-haie de manière à ce que la lame de coupe soit toujours éloignée du corps.

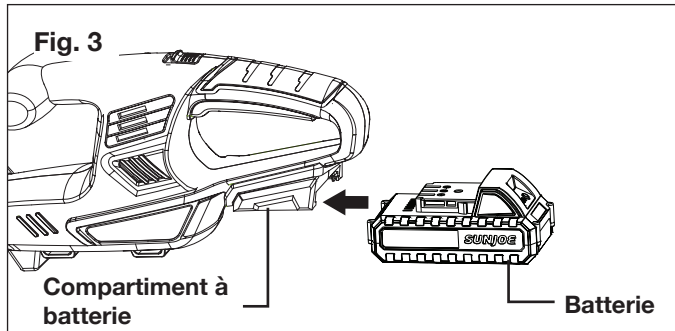
⚠ AVERTISSEMENT! Toujours maintenir les deux mains sur les poignées pendant l'utilisation du taille-haie. Ne jamais tenir un arbuste d'une main et utiliser le taille-haie de l'autre. Le maniement inapproprié du taille-haie pourrait être à l'origine de graves blessures.

Démarrage et arrêt

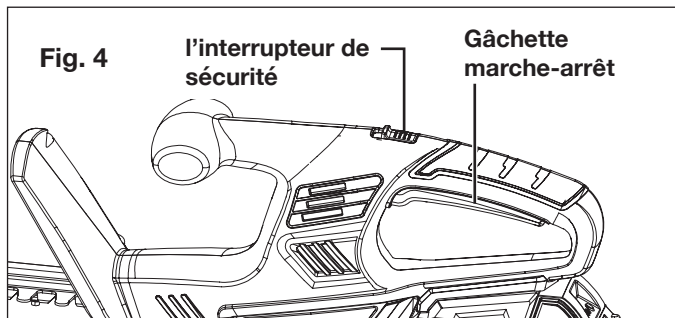
⚠ AVERTISSEMENT! Avant de mettre en marche le taille-haie, s'assurer que la lame ne touche absolument rien.

⚠ MISE EN GARDE! Le démarrage, l'arrêt et le redémarrage à répétition d'un moteur CC, à quelques secondes d'intervalle, peuvent dégager énormément de chaleur et endommager le moteur. Pour protéger la durée de vie de votre taille-haie sans cordon, attendez toujours au moins cinq secondes pour redémarrer l'outil après l'avoir arrêté.

1. Retirez le couvre-lame et insérez le bloc-piles dans le compartiment à batterie (Fig. 3).



2. Pour démarrer l'outil, faites glisser l'interrupteur de sécurité vers l'avant, puis pressez la gâchette marche-arrêt. (Fig. 4).



3. Pour arrêter l'outil, relâchez la gâchette marche-arrêt (Fig. 4).

REMARQUE : ne pressez pas la gâchette marche-arrêt tant que vous n'êtes pas prêt à tailler.

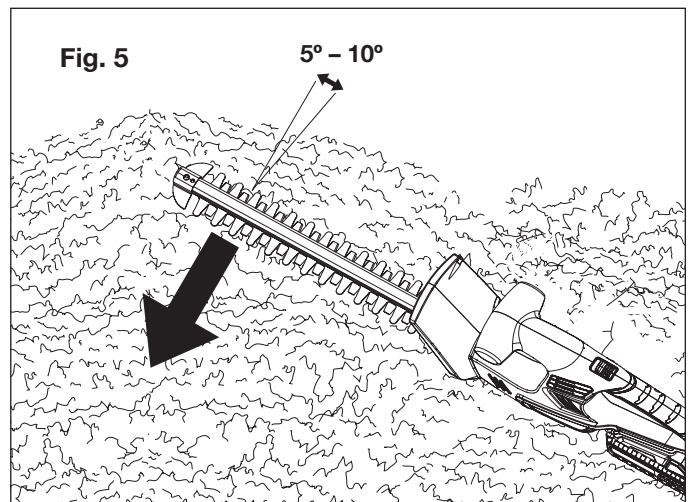
Procédures de taille

⚠ AVERTISSEMENT! Ne jamais tailler au voisinage d'un cordon d'alimentation ou d'une ligne d'électricité. Si la lame se coince dans un câble électrique, **NE PAS TOUCHER LA LAME. ELLE PEUT CONDUIRE L'ÉLECTRICITÉ ET VOUS ENVOYER UNE SECOUSSE ÉLECTRIQUE MORTELLE!** Continuez plutôt à tenir la taille-haie par le manche arrière isolé, déposez-le et éloignez-vous pour vous mettre hors danger. Avant d'essayer de décoincer la lame du taille-haie, assurez-vous que le courant est coupé dans le câble électrique endommagé. Tout contact avec la lame, d'autres pièces conductrices du taille-haie, un cordon ou une ligne d'électricité sous tension, entraînera la mort par électrocution ou de graves blessures.

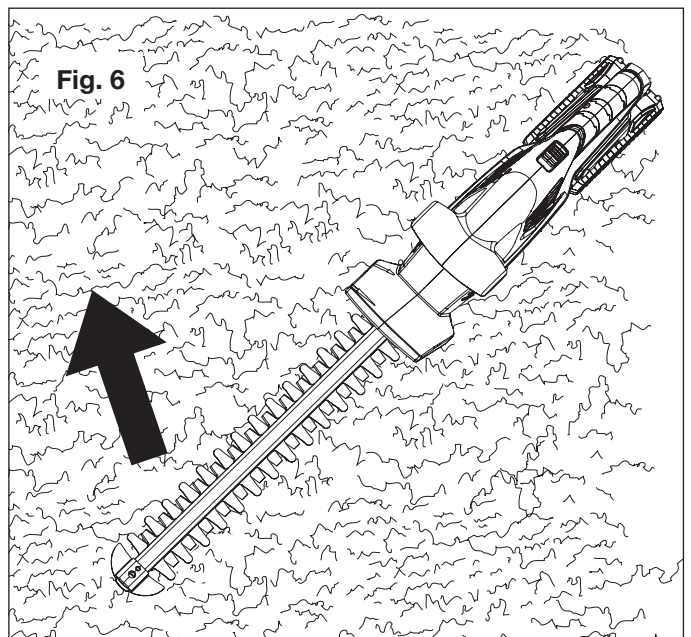
⚠ AVERTISSEMENT! Ne pas laisser votre familiarité avec l'utilisation de ce type d'outils vous empêcher de prendre toutes les précautions nécessaires. Ne pas oublier qu'une fraction de seconde d'inattention suffit pour se blesser gravement.

⚠ AVERTISSEMENT! Avant chaque utilisation, dégager la zone à tailler. Retirer tous les objets, par exemple les cordons électriques, les lampes, le fil électrique ou les ficelles lâches qui peuvent s'emmêler dans les lames de coupe et créer un risque de secousse électrique ou de graves blessures.

1. Lors de la taille de nouvelle végétation, imprimez à l'outil un large mouvement de balayage pour que les petites branches viennent directement alimenter la lame. N'essayez pas de tailler des branches de plus de 1,5 cm d'épaisseur ou qui sont visiblement trop grosses pour la lame. Pour tailler d'abord les grosses branches, utilisez un ébrancheur, une scie égoïne ou une scie à élaguer. Si la taille à effectuer est conséquente, taillez petit à petit en passant plusieurs fois. Taillez d'abord les deux côtés de la haie, puis la partie supérieure.
2. Pour effectuer une taille horizontale, tenez le taille-haie en inclinant la lame pour former un angle de 5 à 10 degrés avec la végétation à tailler; l'opération sera alors plus facile et la taille sera plus franche (Fig. 5).



3. Pour effectuer une taille à la verticale, commencez par tailler en bas, puis remontez en balayant pour que la taille soit uniforme. Imprimez un mouvement de balancier aux lames en formant un arc dirigé vers les parties extérieures de la haie afin que les branches coupées retombent sur le sol (Fig. 6).



Conseils pour la taille

⚠️ AVERTISSEMENT! Tenir la scie des deux mains et fermement. Maintenir toujours la main non dominante sur la poignée où se trouve l'interrupteur et la main dominante sur la poignée avant. Ne jamais tenir l'outil par le protège-lame. Maintenir l'outil en dessous des hanches.

- Le plus efficace est d'imprimer à l'outil un large mouvement de balayage afin que les petites branches viennent directement alimenter les dents de la lame. Vous taillerez de façon optimale en inclinant légèrement la lame vers le bas, dans la direction du mouvement.
- Commencez au niveau de la partie inférieure de la haie et balayez vers le haut.
- Ne forcez pas le taille-haie dans les arbustes et les haies très touffus. Vous pourriez gripper la lame et ralentir son mouvement. Si le mouvement de la lame ralentit, réduisez votre cadence de travail.
- Si la lame de coupe est vraiment coincée, arrêtez le moteur, laissez la lame s'arrêter complètement et retirez la batterie avant d'essayer de débloquer la lame.
- Au besoin, vous pouvez utiliser une ficelle pour vous aider à tailler votre haie à la hauteur voulue. Décidez de la hauteur à donner à la haie. Déroulez de la ficelle le long de la haie, à la hauteur voulue. Taillez la haie juste au-dessus de la ficelle que vous utilisez pour vous guider. Taillez le côté de la haie de telle sorte que sa partie supérieure soit légèrement plus étroite. Si vous la sculptez de cette façon, la haie sera davantage exposée et taillée plus harmonieusement.
- Portez des gants si vous taillez de la végétation épineuse. Lors de la taille de nouvelle végétation, imprimez à l'outil un large mouvement de balayage pour que les branches viennent directement alimenter la lame de coupe. La végétation plus ancienne aura des branches plus épaisses et se taillera plus facilement en imprimant à l'outil un mouvement de sciage.

Soin et entretien

⚠️ ATTENTION! Avant d'effectuer le moindre entretien, retirez la batterie de son compartiment. Ne jamais toucher la lame en mouvement.

⚠️ AVERTISSEMENT! Ne jamais pulvériser de l'eau sur le taille-haie ou le nettoyer à l'eau.

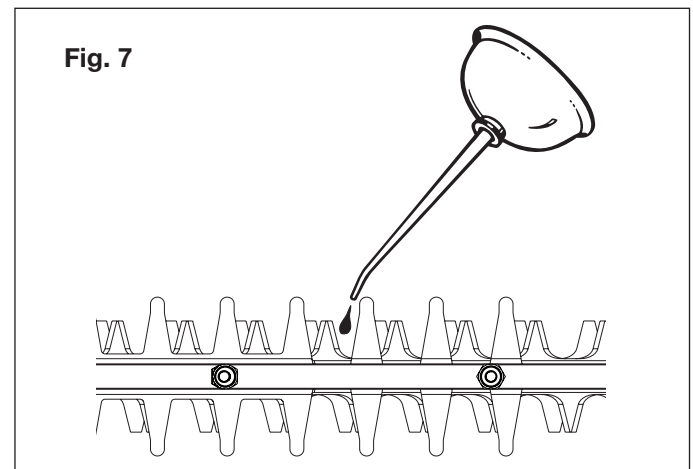
1. Nettoyez le taille-haie à l'aide d'une serviette sèche, en insistant particulièrement sur les fentes de ventilation, après chaque utilisation, ou utilisez une brosse si l'outil est très sale. Après chaque utilisation, pulvérisez de l'huile mouvement légère sur la lame.
2. Remisez le taille-haie en utilisant le couvre-lame fourni, dans un endroit sec, sous clé et hors de portée des enfants.

3. Pour les réparations, utilisez uniquement des pièces de rechange identiques. L'utilisation de tout autre type de pièces peut créer un danger ou endommager l'outil. Pour obtenir des pièces de rechange ou acheter des accessoires pour votre outil, veuillez communiquer avec un revendeur Snow Joe® + Sun Joe® agréé ou appeler le service clientèle Snow Joe® + Sun Joe® au 1 866-SNOWJOE (1-866-766-9563).

Lubrification de la lame

Pour faciliter l'utilisation de l'outil et prolonger la durée de vie de la lame, lubrifiez la lame du taille-haie avant et après chaque utilisation.

1. Arrêtez le moteur et retirez la batterie.
2. Déposez le taille-haie sur une surface plane. Appliquez n'importe quelle huile mouvement légère le long du tranchant de la lame supérieure (Fig. 7).



Si vous utilisez le taille-haie pendant une période prolongée, il est conseillé d'arrêter régulièrement de travailler pour huiler à nouveau la lame.

REMARQUE : n'huilez pas le taille-haie lorsqu'il est en marche.

1. Arrêtez le moteur et retirez la batterie.
2. Lubrifiez le taille-haie comme décrit ci-dessus.
3. Insérez la batterie et reprenez votre travail.

Affutage des lames

La lame doit être réaffûtée si le taille-haie perd de son efficacité ou commence à se comporter de façon inhabituelle (par exemple, si la lame s'accroche fréquemment aux branches).

1. Arrêtez le moteur et retirez la batterie. Immobilisez la lame dans un étau.
2. À l'aide d'une lime ronde douce, limez la surface de coupe à nu de chaque dent de la lame. N'oubliez pas de maintenir l'angle d'origine de la dent lorsque vous la limez.
3. Retirez la lame de l'étau et actionnez le moteur jusqu'à ce que les bords de coupe non affûtés des dents restantes de la lame soient à nu.

4. Retirez la batterie et répétez au besoin la procédure d'affutage.

⚠️ AVERTISSEMENT! Ne pas utiliser la taille-haie lorsque la lame de coupe est émoussée ou endommagée. Ceci pourrait surcharger l'outil et donner des résultats insatisfaisants.

Nettoyage du taille-haie

1. Arrêtez le moteur et retirez la batterie.
2. Nettoyez la saleté et les débris sur le caisson du taille-haie à l'aide d'un chiffon humide et un détergent doux.

REMARQUE : n'utilisez pas de détergents forts sur le caisson ou la poignée en plastique. Ces pièces peuvent être endommagées par certaines huiles aromatiques comme celles du pin ou du citron, et par des solvants comme le kérosène.

Remisage

1. Arrêtez le moteur et retirez la batterie.
2. Nettoyez soigneusement le taille-haie avant de le remisage.
3. Avant de remisage ou transporter le taille-haie, enfiler toujours le couvre-lame. Veillez à ce que les dents acérées de la lame ne vous blessent pas.
4. Remisage toujours le taille-haie à l'intérieur, dans un endroit sec auquel les enfants n'ont pas accès. Maintenez à l'écart les agents corrosifs, par exemple les produits chimiques de jardin et les sels de déglacage.
5. Remisage toujours le taille-haie dans un endroit sec auquel les enfants n'ont pas accès. La température idéale de remisage se situe entre 10 °C et 30 °C.
6. Afin de le protéger contre la poussière, nous recommandons d'utiliser l'emballage d'origine pour remisage l'outil ou le recouvrir d'une couverture en tissu appropriée ou même l'enfermer.

Recyclage et élimination

L'outil est livré dans un emballage qui l'empêche d'être endommagé pendant son expédition. Conservez l'emballage jusqu'à ce que vous soyez sûr que toutes les pièces ont été livrées et que l'outil fonctionne correctement. Recyclez ensuite l'emballage.



Symbole DEEE. Les déchets d'outils électriques ne doivent pas être jetés avec les déchets ménagers. Veuillez les recycler dans les installations prévues à cet effet. Pour obtenir des conseils sur le recyclage, communiquez avec les services publics locaux ou avec votre revendeur.

Mise en garde concernant les batteries et informations sur leur élimination

Éliminez toujours les blocs-piles en vous conformant aux réglementations fédérales, provinciales ou territoriales et locales. Communiquez avec un organisme de recyclage de votre région pour obtenir la liste des sites de recyclage.

⚠️ MISE EN GARDE! Même déchargés, les blocs-piles emmagasinent une certaine énergie. Avant de l'éliminer, utiliser du ruban isolant pour couvrir les bornes et empêcher ainsi le bloc-piles de provoquer un court-circuit, ce qui pourrait causer un incendie ou une explosion.

⚠️ AVERTISSEMENT! Pour réduire le risque de blessure ou d'explosion, ne jamais brûler ou incinérer un bloc-piles, même s'il est endommagé, à plat ou complètement déchargé. En brûlant, des émanations et des matières toxiques sont émises dans l'atmosphère environnante.

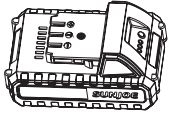
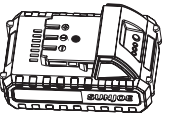




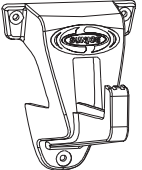
1. Les batteries varient selon le type d'outils électriques. Consultez le manuel pour des renseignements spécifiques.
2. S'il en faut plusieurs, insérez uniquement des blocs-piles neufs de même type dans votre outil électrique.
3. Si, en l'insérant, la polarité de la batterie n'est pas respectée, comme indiqué dans le compartiment à batterie ou dans le manuel, sa durée de vie pourrait être réduite ou elle pourrait fuir.
4. Ne mélangez pas des batteries anciennes et des neuves.
5. Ne mélangez pas des batteries alcalines, standard (carbone/zinc) ou rechargeables (au nickel-cadmium, au nickel-métal-hydrure ou au lithium-ion).
6. Ne jetez pas les batteries au feu.
7. Les batteries doivent être recyclées ou éliminées en observant les directives provinciales ou territoriales et locales.

Entretien, réparations et assistance technique

Si votre taille-haie sans cordon Sun Joe® 24V-HT18-LTE nécessite une réparation ou un entretien, veuillez appeler le service clientèle Snow Joe® + Sun Joe® au 1-866-SNOWJOE (1-866-766-9563).

Accessoires en option

⚠️ AVERTISSEMENT! TOUJOURS utiliser des pièces de rechange et des accessoires Snow Joe® + Sun Joe® homologués. NE JAMAIS utiliser des pièces de rechange ou des accessoires qui ne sont pas destinés à être utilisés avec ce taille-haie. Communiquez avec Snow Joe® + Sun Joe® si vous n'êtes pas sûr que l'utilisation d'une pièce de rechange ou d'un accessoire particulier avec votre taille-haie soit sans danger. L'utilisation de tout autre accessoire ou de toute autre pièce détachée peut être dangereuse et pourrait provoquer des dommages corporels ou des détériorations d'origine mécanique.

Accessoires	Description	Modèle
	Batterie au lithium-ion 2,0 Ah 24V iON+	24VBAT-LTE
	Batterie au lithium-ion 2,5 Ah 24V iON+	24VBAT-LT
	Batterie au lithium-ion 4,0 Ah 24V iON+	24VBAT
	Batterie au lithium-ion 5,0 Ah 24V iON+	24VBAT-XR
	Chargeur rapide de batterie au lithium-ion 24V iON+	24VCHRG-QC
	Double chargeur de batteries au lithium-ion 24V iON+	24VCHRG-DPC
	Support mural universel avec boulonnerie de fixation	SJWB (compatible avec la plupart des outils et machines Snow Joe® + Sun Joe®)

REMARQUE : les accessoires sont sous réserve de changements sans que Snow Joe® + Sun Joe® soit pour autant tenue de donner un préavis desdits changements. Les accessoires peuvent être commandés en ligne sur le site sunjoe.com ou par téléphone en appelant le service clientèle Snow Joe® + Sun Joe® au 1-866-SNOWJOE (1-866-766-9563).



LA PROMESSE DE SNOW JOE® + SUN JOE® À SES CLIENTS

Vous êtes notre client et Snow Joe, LLC (« Snow Joe ») **SE MET EN QUATRE** pour vous servir. Nous nous efforçons de vous rendre l'utilisation de nos produits aussi plaisante que possible. Malheureusement, il peut arriver qu'un produit Snow Joe®, Sun Joe® ou Aqua Joe (« Produit ») ne fonctionne pas ou se casse dans des conditions d'utilisation normales. Nous pensons qu'il est important que vous sachiez ce que vous pouvez attendre de nous. C'est pourquoi nous avons une garantie limitée (« Garantie ») pour nos Produits.

NOTRE GARANTIE :

Snow Joe déclare et garantit que les Produits neufs, d'origine, électriques ou non électriques sont exempts de vices de matière ou de fabrication et, lorsqu'ils font l'objet d'une utilisation résidentielle et ménagère ordinaire, les garantit pendant une période de deux ans à compter de la date d'achat au détail par l'acheteur primitif auprès de Snow Joe ou d'un des revendeurs agréés de Snow Joe, preuve d'achat à l'appui. Étant donné que Snow Joe ne peut pas contrôler la qualité de ses Produits vendus par des revendeurs non agréés, sauf stipulation contraire de la loi, la présente Garantie ne couvre pas les Produits achetés auprès de vendeurs non agréés. Si votre Produit ne fonctionne pas ou si une pièce spécifique couverte par les modalités de la présente Garantie fait l'objet d'un problème quelconque, Snow Joe choisira (1) de vous envoyer une pièce de rechange gratuite, (2) de remplacer le Produit par un produit neuf ou comparable, gratuitement, ou (3) de réparer le Produit. Génial, n'est-ce pas?

La présente Garantie vous donne des droits judiciaires spécifiques, et vous pouvez également avoir d'autres droits qui peuvent varier d'une province ou d'un territoire à l'autre.

ENREGISTREMENT DU PRODUIT :

Snow Joe vous recommande vivement d'enregistrer votre Produit. Vous pouvez l'enregistrer en ligne sur le site snowjoe.com/register, ou en imprimant et en envoyant par courrier une carte d'enregistrement offerte en ligne sur notre site Web, ou par téléphone en appelant notre Service à la clientèle au **1-866-SNOWJOE (1-866-766-9563)**, ou encore en nous envoyant un courriel à l'adresse help@snowjoe.com. Le fait de ne pas enregistrer l'achat de votre Produit n'a aucune conséquence sur vos droits concernant la garantie. Toutefois, l'enregistrement de votre Produit permettra à Snow Joe de mieux répondre au moindre besoin que vous pourriez avoir en matière de service à la clientèle.

QUI PEUT REVENDIQUER LA COUVERTURE DE LA GARANTIE?

La présente Garantie est étendue par Snow Joe à l'acheteur et propriétaire primitif du Produit.

QU'EST-CE QUI N'EST PAS COUVERT?

La présente Garantie ne s'applique pas si le Produit a été utilisé commercialement, pour des travaux non résidentiels ou s'il fait l'objet d'une location. La présente Garantie ne s'applique pas non plus si le Produit a été acheté auprès d'un revendeur non agréé. La présente garantie ne couvre pas non plus les changements cosmétiques qui n'affectent pas le rendement. Les pièces d'usure comme les courroies, les tarières, les chaînes et les dents ne sont pas couvertes au titre de la présente Garantie et peuvent être achetées en ligne sur le site snowjoe.com ou en appelant le **1-866-SNOWJOE (1-866-766-9563)**.



sunjoe.com