



OPERATOR'S MANUAL

A Division of Snow Joe®, LLC

CORDLESS PATIO CLEANER – TOOL ONLY 24V MAX* | 12-INCH

EN

Model 24V-PSC-CT

Form No. SJ-24V-PSC-CT-880E-MR1

IMPORTANT! Safety Instructions

All Operators Must Read These Instructions Before Use

⚠️ WARNING! This indicates a hazardous situation, which, if not avoided, could result in death or serious injury.

⚠️ CAUTION! This indicates a hazardous situation, which, if not avoided, could result in minor or moderate injury.

⚠️ DANGER! This indicates a hazardous situation, which, if not followed, will result in death or serious injury.

General Safety

⚠️ WARNING! This appliance is not intended for use by children or by unassisted, unsupervised persons whose physical, sensory or mental capabilities prevent them from using it safely. Children should be supervised to ensure that they do not play with the appliance.

Before starting up your machine, please check it carefully for any defects. If you find any, do not start up your machine. Contact your authorized Snow Joe® + Sun Joe® dealer or call the Snow Joe® + Sun Joe® customer service center at 1-866-SNOWJOE (1-866-766-9563).

⚠️ WARNING! When using the patio cleaner, basic safety precautions should always be followed to reduce the risk of fire, electric shock, and personal injury. These include:

- **Avoid dangerous environments.**
- **Don't use in rain.**
- **Don't force appliance** – It will do the job better and with less likelihood of a risk of injury at the rate for which it was designed.
- **Store idle appliances indoors** – When not in use, appliances should be stored indoors in dry, and high or locked-up place out of reach of children.
- **Know your product** – Know how to stop the machine quickly. Thoroughly familiarize yourself with the controls.
- **Keep bystanders away** – All visitors and pets should be kept a safe distance away from the work area.

- **Use the right product** – Do not use this machine for any job except that for which it is intended.
- **Dress properly** – Do not wear loose clothing or jewelry. They can get caught in moving parts. Protective rubber gloves and non-slip footwear are recommended when working outdoors.
- **⚠️ CAUTION!** – Exercise caution to avoid slipping or falling. Wear protective footwear that will protect your feet and improve your footing on slippery surfaces.
- **Stay alert** – Watch what you are doing. Use common sense. Do not operate the patio cleaner when you are tired, or under the influence of alcohol or drugs.
- **Do not overreach** – Keep proper footing and balance at all times.
- **Avoid unintentional starting** – Do not carry a machine with power with your finger on the trigger. Make sure the switch is off before inserting the battery.
- **Remove the battery** – Remove the battery from the patio cleaner when it is not in use, before servicing it, when changing accessories, and when performing any other maintenance task.
- **Use safety glasses** – Also use safety footwear, snug-fitting clothing, protective gloves, hearing and head protection.
- **Check the water temperature** – This power cleaner is not meant to pump hot water. **NEVER** connect it to water supply that with temperature exceed 95°F (35°C).

⚠️ WARNING! Do not use this appliance without reading this instruction manual.

⚠️ WARNING! Do not use the appliance within range of persons unless they are wearing protective clothing.

⚠️ WARNING! The jet must not be directed at persons, pets, or live electrical equipment.

- Do not direct the jet at yourself or others in order to clean clothes or footwear.
- **Risk of explosion** – Do not spray flammable liquids.
- **Keep children away** – This cordless patio cleaner must not be used by children or untrained personnel. Close supervision is necessary when a product is used near children.
- To ensure appliance safety, use only original replacement parts from the manufacturer or those approved by the manufacturer.

⚠️ WARNING! During cleaning, maintenance or when replacing parts, the machine must be disconnected from its power source by removing the battery.

⚠️ WARNING! Hoses, fittings, and couplings are important for the safe operation of the appliance. Use only hoses, fittings, and couplings recommended by the manufacturer.

⚠️ WARNING! Electrical Shock Hazard – Before starting up your machine, please check it carefully for any defects. If you find any, do not start up your machine and contact your distributor.

IMPORTANT: Do not connect the machine to water supply which is turbid, muddy or corrosive. Not recommended for use with salt water, immediately rinse with fresh water for proper maintenance.

- **Check for damaged parts** – Before further use of the appliance, a guard or other part that is damaged should be carefully checked to determine that it will operate properly and perform its intended function. Check for alignment of moving parts, binding of moving parts, breakage of parts, mounting, and any other condition that may affect its operation. A guard or other part that is damaged should be properly repaired or replaced by an authorized service center unless indicated elsewhere in this manual.

Additional Safety Instructions

Safety Instructions for Patio Cleaners

- Operate the device only with untreated, clean fresh water. The device must not under any circumstances be operated with explosive, corrosive or inflammable substances.
- Never fully immerse the device in liquids.
- Only operate the device outdoors.
- Do not use the device on surfaces where water is already present.
- Ensure that the surface to be cleaned is free of sand, stones or loose elements before starting work. These can be flung away during cleaning or damage the surface and the device.
- Do not pull on the connected hose.
- Only switch the device on when the brushes are on the floor.
- Be aware of the recoil of the device during operation. The device pushes toward the operator when switched on. Hold the device securely and maintain a solid and safe footing.
- Do not lift the device off the floor when switched on.
- All live parts in the work area must be protected against spray water.
- Do not operate the device in the vicinity of any devices that are connected to electrical power.

- Protect the device from frost and excessive heat. Only operate and store the device between permitted ambient temperature range of 41°F (5°C) to 104°F (40°C).

Electric Safety

⚠️ WARNING! Read all safety warnings and instructions. Failure to follow the warnings and instructions may result in electric shock, fire and/or serious injury.

1. Prevent unintentional starting. Ensure the switch is in the off-position before connecting with the battery pack, picking up or carrying the appliance. Carrying the appliance with your finger on the switch or energizing an appliance that has the switch on invites accidents.
2. Remove the battery pack from the appliance before making any adjustments, changing accessories, or storing appliance. Such preventive safety measures reduce the risk of starting the appliance accidentally.
3. Recharge only with the charger specified by the manufacturer. A charger that is suitable for one type of battery pack may create a risk of fire when used with another battery pack.
4. Use appliances only with specifically designated battery packs. Use of any other battery packs may create a risk of injury and fire.
5. When the battery pack is not in use, keep them away from other metal objects, like paper clips, coins, keys, nails, screws or other small metal objects, that can make a connection from one terminal to another. Shorting the battery terminals together may cause burns or a fire.
6. Under abusive conditions, liquid may be ejected from the battery; avoid contact. If contact accidentally occurs, flush with water. If liquid contacts eyes, additionally seek medical help. Liquid ejected from the battery may cause irritation or burns.
7. Do not use a battery pack or appliance that is damaged or modified. Damaged or modified batteries may exhibit unpredictable behavior resulting in fire, explosion or risk of injury.
8. Do not expose a battery pack or appliance to fire or excessive temperature. Exposure to fire or temperature above 265°F (130°C) may cause explosion.
9. Follow all charging instructions and do not charge the battery pack or appliance outside of the temperature range specified in the instructions. Charging improperly or at temperatures outside of the specified range may damage the battery and increase the risk of fire.
10. Have servicing performed by a qualified repair person using only identical replacement parts. This will ensure that the safety of the product is maintained.
11. Do not modify or attempt to repair the appliance or the battery pack except as indicated in the instructions for use and care.

Battery + Charger

Safety Instructions

NOTE: This unit is tool only. The battery and the charger are not included. They must be purchased separately.

Model 24V-PSC-CT is compatible with the iON+ 24V System batteries and chargers. See page 17 for more information.

We pay a great deal of attention to the design of every battery pack to ensure that we supply you with batteries that are safe, durable and have a high energy density. The battery cells have a wide range of safety devices. Each individual cell is initially formatted and its electrical characteristic curves are recorded. This data is then used exclusively to be able to assemble the best possible battery packs.

Despite all the safety precautions, caution must always be exercised when handling the battery. The following points must be obeyed at all times to ensure safe use. Safe use can only be guaranteed if undamaged cells are used. Incorrect handling of the battery pack can cause cell damage.

IMPORTANT! Analyses confirm that incorrect use and poor care of high-performance batteries are the main factors responsible for personal and/or product damage.

⚠️ WARNING! Use only approved replacement batteries; other batteries may damage the cordless patio cleaner and cause it to malfunction, which can lead to serious personal injury.

⚠️ WARNING! Do not use a battery pack or appliance that is damaged or modified. Damaged or modified battery may exhibit unpredictable behavior resulting in fire, explosion or risk of injury.

Do not modify or attempt to repair the appliance or the battery pack except as indicated in the instructions for use and care.

Have your battery pack serviced by a qualified repair person using only identical replacement parts. This will ensure that the safety of the battery pack is maintained.

⚠️ CAUTION! To reduce the risk of injury, charge the 24V iON+ lithium-ion battery pack only in the designated 24V iON+ lithium-ion charger. Other types of chargers present risk of fire, personal injury and damage. Do not wire the battery pack to a power supply plug or car cigarette lighter. Such misuse will permanently disable or damage the battery pack.

- **Avoid dangerous environments** – Do not charge the battery pack in rain, snow or in damp or wet locations. Do not use the battery pack or charger in the presence of explosive atmospheres (gaseous fumes, dust or flammable materials) because sparks may be generated when connecting or disconnecting the battery pack, which could lead to a fire.
- **Charge in a well-ventilated area** – Do not block the charger vents. Keep them clear to allow for proper

ventilation. Do not allow smoking or open flames near a charging battery pack. Vented gases may explode.

NOTE: The safe temperature range for the battery is 41°F – 105°F (5°C – 40.5°C). Do not charge the battery outside in freezing weather; charge it at room temperature.

- **Maintain charger cord** – When unplugging the charger, pull the plug, not the cord, from the receptacle to reduce the risk of damage to the electrical plug and cord. Never carry the charger by its cord or yank it by the cord to disconnect it from the receptacle. Keep the cord away from heat, oil and sharp edges. Make sure the cord will not be stepped on, tripped over or subjected to damage or stress when the charger is in use. Do not use the charger with a damaged cord or plug. Replace a damaged charger immediately.
- **Do not use an extension cord unless it is absolutely necessary** – Using the wrong, damaged or improperly wired extension cord poses a risk of fire and electric shock. If an extension cord must be used, plug the charger into a properly wired 16 gauge or larger extension cord with the female plug matching the male plug on the charger. Make sure that the extension cord is in good electrical condition.
- **Use only recommended attachments** – Use of an attachment not recommended or sold by the battery charger or battery pack manufacturer may result in risk of fire, electric shock or personal injury.
- **Unplug charger when not in use** – Make sure to disconnect battery pack from unplugged charger.

⚠️ WARNING! To reduce the risk of electric shock, always unplug the charger before performing any cleaning or maintenance. Do not allow water to flow into the charger. Use a Ground Fault Circuit Interrupter (GFCI) to reduce shock hazards.

- **Do not burn or incinerate battery pack** – Battery pack may explode, causing personal injury or damage. Toxic fumes and materials are created when the battery pack is burned.
- **Do not crush, drop or damage battery pack** – Do not use the battery pack or charger if they have sustained a sharp blow, been dropped, run over or have been damaged in any way (i.e. pierced with a nail, hit with a hammer, stepped on, etc.).
- **Do not disassemble** – Incorrect reassembly may pose a serious risk of electric shock, fire or exposure to toxic battery chemicals. If the battery or charger are damaged, contact an authorized Snow Joe® + Sun Joe® dealer or call the Snow Joe® + Sun Joe® customer service center at 1-866-SNOWJOE (1-866-766-9563) for assistance.

- **Battery chemicals cause serious burns** – Never let a damaged battery pack contact the skin, eyes or mouth. If a damaged battery pack leaks battery chemicals, use rubber or neoprene gloves to safely dispose of it. If skin is exposed to battery fluids, wash the affected area with soap and water and rinse with vinegar. If eyes are exposed to battery chemicals, immediately flush with water for 20 minutes and seek medical attention. Remove and dispose of contaminated clothing.
- **Do not short circuit** – A battery pack will short circuit if a metal object makes a connection between the positive and negative contacts on the battery pack. Do not place a battery pack near anything that may cause a short circuit, such as paper clips, coins, keys, screws, nails and other metallic objects. A short-circuited battery pack poses a risk of fire and severe personal injury.
- **Store your battery pack and charger in a cool, dry place** – Do not store the battery pack or charger where temperatures may exceed 105°F (40.5°C), such as in direct sunlight or inside a vehicle or metal building during the summer.

Information about the battery

1. For optimum battery performance, avoid low discharge cycles by charging the battery pack frequently.
2. Store the battery pack in a cool place, ideally at 77°F (25°C) and charged to at least 40%.
3. Lithium-ion batteries are subject to a natural aging process. The battery pack must be replaced at the latest when their capacity falls to just 80% of its capacity when new. Weakened cells in an aged battery pack are no longer capable of meeting the high power requirements needed for the proper operation of your patio cleaner, and therefore pose a safety risk.
4. Do not throw the battery pack into an open fire as this poses a risk of explosion.
5. Do not ignite the battery pack or expose it to fire.
6. Do not exhaustively discharge the battery. Exhaustive discharge will damage the battery cells. The most common cause of exhaustive discharge is lengthy storage or non-use of partially discharged battery. Stop working as soon as the performance of the battery fall noticeably or the electronic protection system triggers. Place the battery pack in storage only after it has been fully charged.
7. Protect the battery and the tool from overloads. Overloads will quickly result in overheating and cell damage inside the battery housing even if this overheating is not apparent externally.
8. Avoid damage and shocks. Immediately replace the battery that has been dropped from a height of more than one meter or has been exposed to violent shocks, even if the housing of the battery pack appears to be undamaged. The battery cells inside the battery may have suffered serious damage. In such instances, please read the waste disposal information for proper battery disposal.
9. If the battery pack suffers overloading and overheating, the integrated protective cutoff will switch off the equipment for safety reasons.
IMPORTANT! Do not press the ON/OFF switch any more if the protective cut-off has been activated. This may damage the battery pack.
10. Use only original battery pack. The use of other batteries poses a fire risk and may result in injuries or an explosion.

Information about the charger and the charging process












1. Please check the data marked on the rating plate of the battery charger. Be sure to connect the battery charger to a power supply with the voltage marked on the rating plate. Never connect it to a different mains voltage.
2. Protect the battery charger and its cord from damage. Keep the charger and its cord away from heat, oil and sharp edges. Have damaged cords repaired without delay by a qualified technician at an authorized Snow Joe® + Sun Joe® dealer or call the Snow Joe® + Sun Joe® customer service center at 1-866-SNOWJOE (1-866-766-9563).
3. Electrical plugs must match the outlet. Never modify the plug in any way. Do not use any adapter plugs with grounded appliances. Unmodified plugs and matching outlets will reduce the risk of electric shock.
4. Keep the battery charger, battery pack and the cordless tool out of the reach of children.
5. During periods of heavy use, the battery pack will become warm. Allow the battery pack to cool to room temperature before recharging.
6. Do not overcharge the battery. Do not exceed the maximum charging times. These charging times only apply to discharged batteries. Frequent connection of a charged or partially charged battery pack will result in overcharging and cell damage. Do not leave the battery connected with the charger for days on end.
7. Never use or charge battery if you suspect that it has been more than 12 months since the last time they were charged. There is a high probability that the battery pack has already suffered dangerous damage (exhaustive discharge).
8. Charging the battery at a temperature below 41°F (5°C) will cause chemical damage to the cells and may cause a fire.
9. Do not use batteries that have been exposed to heat during the charging process, as the battery cells may have suffered dangerous damage.
10. Do not use the battery if it suffered curvature or deformation during the charging process or exhibit other atypical symptoms (gassing, hissing, cracking, etc.).
11. Never fully discharge the battery pack (maximum recommended depth of discharge is 80%). A complete discharge of the battery pack will lead to premature aging of the battery cells.

Protection from environmental influences

1. Wear suitable work clothes. Wear safety goggles.
2. Protect your cordless tool and the battery charger from moisture and rain – Moisture and rain can cause dangerous cell damage.
3. Do not use the cordless tool or the battery charger near vapors and flammable liquids.
4. Use the battery charger and cordless tools only in dry conditions and at an ambient temperature of 41°F – 105°F (5°C – 40.5°C).
5. Do not keep the battery charger in places where the temperature is liable to reach over 105°F (40.5°C). In particular, do not leave the battery charger in a car that is parked in the sunshine.
6. Protect batteries from overheating. Overloads, overcharging and exposure to direct sunlight will result in overheating and cell damage. Never charge or work with batteries that have been overheated – replace them immediately, if possible.
7. Store the charger and your cordless tool only in dry locations with an ambient temperature of 41°F – 105°F (5°C – 40.5°C). Store your lithium-ion battery packs in a cool, dry place at a temperature of 77°F (25°C). Protect the battery pack, charger and cordless tool from humidity and direct sunlight. Only place fully charged batteries in storage (charged to at least 40%).
8. Prevent the lithium-ion battery pack from freezing. Battery packs that were stored below 32°F (0°C) for more than 60 minutes must be discarded.
9. When handling the battery, be wary of electrostatic charge. Electrostatic discharges can damage the electronic protection system and the battery cells. Avoid electrostatic charging and never touch the battery poles.

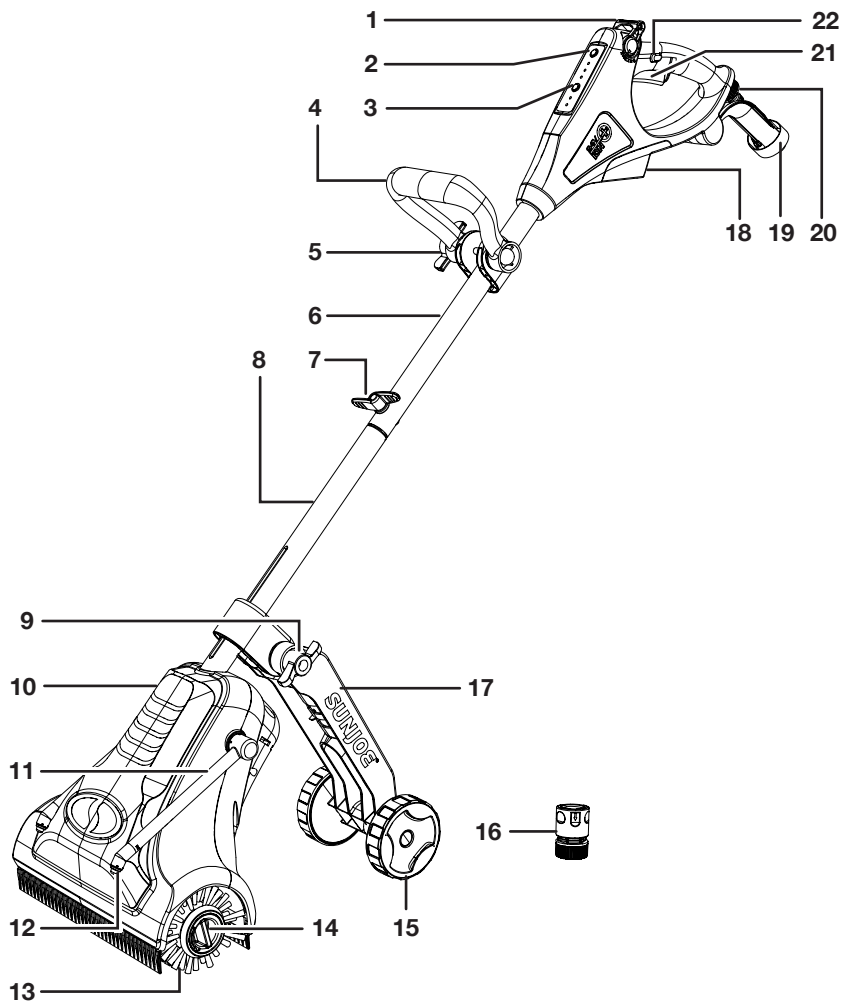
Safety Symbols

The following table depicts and describes safety symbols that may appear on this product. Read, understand, and follow all instructions on the machine before attempting to assemble and operate.

Symbols	Descriptions	Symbols	Descriptions
	READ THE OPERATOR'S MANUAL(S) – Read, understand, and follow all instructions in the user manual(s) before attempting to assemble and operate.		SAFETY ALERT – Indicates a precaution, a warning, or a danger.
	WARNING! Do not expose the unit to rain or wet conditions. Keep dry.		WEAR EYE AND HEARING PROTECTION – For protection against injury, wear ear defenders and safety goggles.
	To reduce the risk of injury, user must keep all bystanders at least 49 ft (15 m) away.		Machine not suitable for connection to the potable water mains.
	Wear safety gloves during use to protect hands.		Wear non-slip footwear that will protect your feet and improve your footing on slippery surfaces.
	DANGER! Improper hose connections and/or leaks can result in a slip and fall hazard.		Store indoors. Never store the patio cleaner outdoors. If the pump freezes, permanent damage may result.
	Indoor use only. Only use battery charger indoors.		

Know Your Cordless Patio Cleaner

Read the owner's manual and safety instructions carefully before operating the cordless patio cleaner. Compare the illustration below to the cordless patio cleaner in order to familiarize yourself with the location of the various controls and adjustments. Save this manual for future reference.



- 1. Water flow regulation valve
- 2. Speed control button
- 3. Direction control button
- 4. Auxiliary handle
- 5. Auxiliary handle knob
- 6. Upper pole
- 7. Pole knob
- 8. Lower pole

- 9. Wheel frame knob
- 10. Housing
- 11. Spray wand (2)
- 12. Nozzle (2)
- 13. Rotating brush (2)
- 14. Brush fastener (2)
- 15. Wheel (2)
- 16. Garden hose adapter

- 17. Wheel frame
- 18. Battery compartment
- 19. Garden hose supporter (with Velcro band)
- 20. Water inlet adapter
- 21. On/Off switch
- 22. Safety lock button

SOLD SEPARATELY

Battery + Charger options available at sunjoe.com



24VBAT-LTE



24VBAT-LT



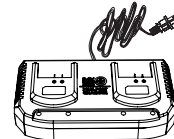
24VBAT



24VBAT-XR



24VCHRG-QC



24VCHRG-DPC

Technical Data

Motor	500 W Brush
Battery Voltage*	24V D.C.
Cleaning Width Max.	12 inch (30.5 cm)
Max Water Inlet Pressure	1 MPa
Water Flow Control	0 GPM – 0.7 GPM
Brush Rotation Speed Control	800 rpm 1000 rpm
Brush Size (Each)	Φ 4 inch x 5.5 inch (Φ 10 cm x 14 cm)
Net Weight	12 lbs (5.5 kg)

* Initial no-load voltage, when fully charged, peaks at 24 volts; nominal voltage under typical load is 21.6 volts.

Unpacking

Carton Contents

- Cordless patio cleaner with poles
- Pole knob + bolt
- Garden hose adapter
- Manual with registration card

1. Carefully remove the patio cleaner and check to see that all of the above items are supplied.
2. Inspect the product carefully to make sure no breakage or damage occurred during shipping. If you find damaged or missing parts, DO NOT return the unit to the store. Please call the Snow Joe® + Sun Joe® customer service center at 1-866-SNOWJOE (1-866-766-9563).

NOTE: Do not discard the shipping carton and packaging material until you are ready to use your new cordless patio cleaner. The packaging is made of recyclable materials. Properly dispose of these materials in accordance with local regulations.

IMPORTANT! The equipment and packaging material are not toys. Do not let children play with plastic bags, foils, or small parts. These items can be swallowed and pose a suffocation risk!

⚠ WARNING! Do not insert the battery until assembly is complete. Failure to comply could result in accidental starting and possible serious personal injury.

Battery Pack Operation

The equipment is powered by a lithium-ion battery. The battery pack is completely sealed and maintenance free.

TOOL ONLY






BATTERY + CHARGER SOLD SEPARATELY

In order to operate this cordless patio cleaner you will need a iON+ 24V System battery and charger. See page 17 for battery and charger options and specifications, or for more information visit sunjoe.com.

Battery Charge Level Indicator

The battery pack is equipped with a push button for checking the charge level. Simply press the push button to read off the battery charge level from the LEDs of the battery indicator:

- All 3 level monitoring LEDs are lit: Battery charge level is high.
- 2 level monitoring LEDs are lit: Battery charge level is decreasing. Stop work as soon as possible.
- 1 level monitoring LED is lit: Battery is flat. Stop work IMMEDIATELY and charge the battery. Otherwise the battery's service life will be greatly shortened.

	
Lights	Light Indicators
	Charge level button
	The battery is at 30% capacity and requires charging
	The battery is at 60% capacity and requires charging soon
	The battery is at full capacity

NOTE: If the charge level button does not appear to be working, connect to the charger and charge as needed.

NOTE: Immediately after using the battery pack, the charge level button may display a lower charge than it will if checked a few minutes later. The battery cells “recover” some of their charge after resting.

Charger Operation

⚠️ WARNING! Charge only 24V iON+ lithium-ion battery pack with its compatible 24V iON+ lithium-ion charger. Other types of batteries may cause personal injury and damage.

To reduce the risk of electric shock, do not allow water to flow into the charger's AC/DC plug.

TOOL ONLY

BATTERY + CHARGER SOLD SEPARATELY

In order to operate this cordless patio cleaner you will need a iON+ 24V System battery and charger. See page 17 for battery and charger options and specifications, or for more information visit sunjoe.com.

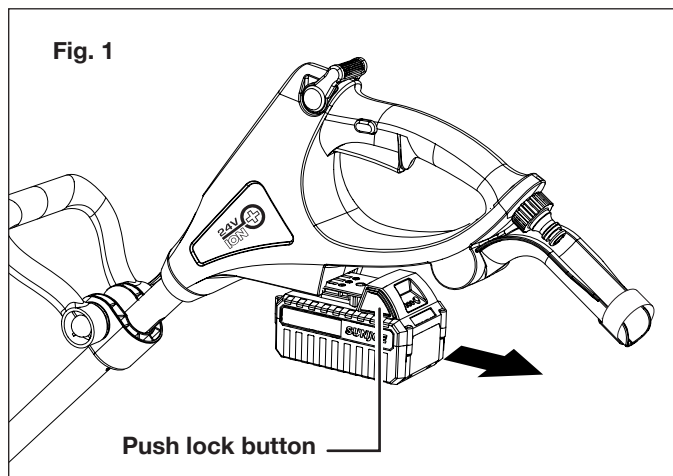
When to Charge the iON+ 24V Lithium-ion Battery

NOTE: The iON+ 24V lithium-ion battery pack does not develop a "memory" when charged after only a partial discharge. Therefore, it is not necessary to run down the battery pack before inserting the charger plug.

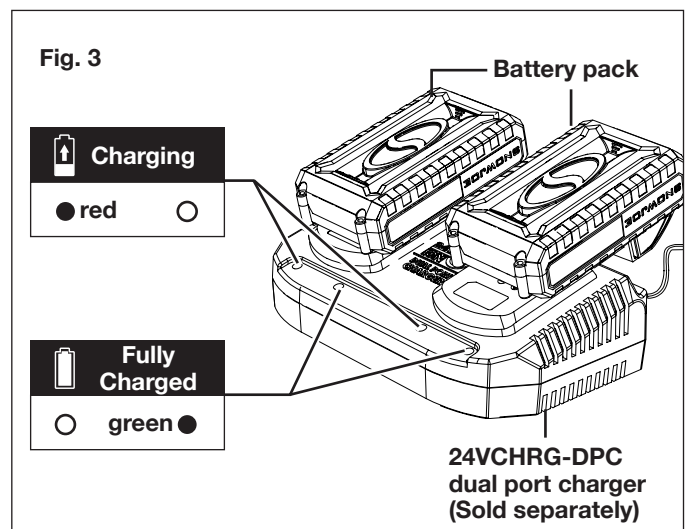
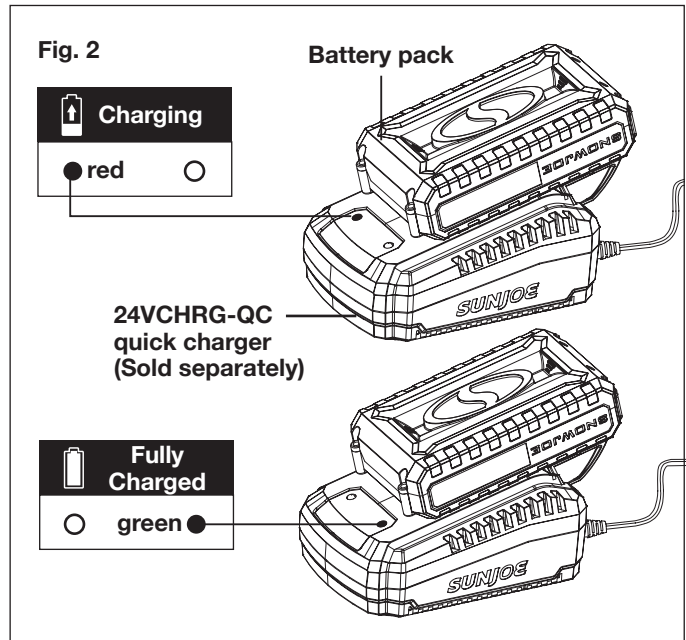
- Use the battery indicator lights to determine when to charge your iON+ 24V lithium-ion battery pack.
- You can "top-off" your battery pack's charge before starting a big job or after a long day of use.

Charging the Battery

1. Push the push lock buttons on the battery to pull the battery pack out from the battery compartment (Fig. 1).



2. Depending on your Snow Joe® + Sun Joe® charger model, how to recharge your lithium-ion battery will vary. You may either insert your 24-volt battery into the 24VCHRG-QC Quick Charger (sold separately) or the 24VCHRG-DPC Dual Port Charger (sold separately) (Figs. 2 – 3).



3. The battery indicator LEDs will illuminate one by one during the charging process. Unplug the charger immediately when the 3 LEDs are all illuminated.
4. The 24VCHRG-QC Quick Charger (sold separately) and the 24VCHRG-DPC Dual Port Charger (sold separately) are also equipped with additional charging indicating lights which will indicate the charging status (Figs. 2 – 3).

⚠️ CAUTION! FIRE HAZARD. When disconnecting the charger from the battery, be sure to unplug the charger from the outlet first, then disconnect the charger from the battery.

⚠️ WARNING! This charger does not automatically turn off when the battery is fully charged. Please take care not to leave the battery plugged into the charger. Switch off or unplug the charger at the mains when charging is complete.

5. Timely recharging of the battery will help prolong the battery's life. You must recharge the battery pack when you notice a drop in the equipment's power.

IMPORTANT! Never allow the battery pack to become fully discharged as this will cause irreversible damage to the battery.

6. When charging is complete, remove the battery from the charger by pulling the push lock buttons and sliding the battery backward to unlock it from the charger.

Assembly

⚠ WARNING! To avoid serious personal injury, read and understand all safety instructions provided.

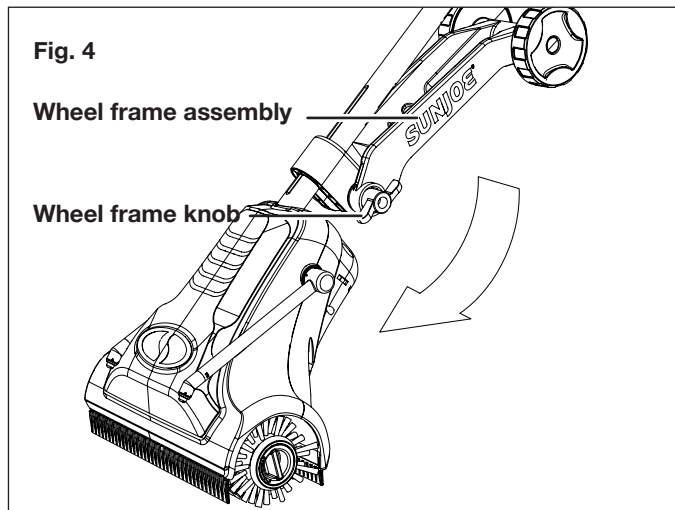
⚠ WARNING! Do not insert battery until assembly is complete. Failure to comply could result in accidental starting and possible serious personal injury.

⚠ WARNING! Before performing any maintenance, make sure battery is removed. Failure to heed this warning could result in serious personal injury.

Adjust the Wheel Frame

NOTE: The patio cleaner comes with the wheel frame in storage position. Follow the instructions below to set the wheel frame in operation position.

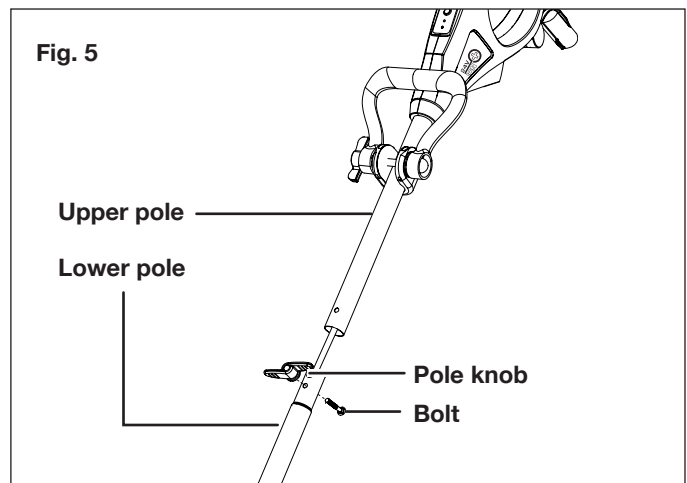
1. Loosen the wheel frame knob, and rotate the wheel frame assembly to the working position. Rotate the wheel frame knob to lock the assembly (Fig. 4).



Pole Assembly

1. Slide the upper pole into the lower pole assembly. Align the screw holes (Fig. 5).

NOTE: When connecting the upper pole and lower pole, make sure not to twist the water hose inside. A twisted water hose will cause water flow to stop. If water doesn't flow from the nozzles, remove the pole knob and bolt, and move the upper pole slightly until water is flowing. Reassemble the knob and the bolt.

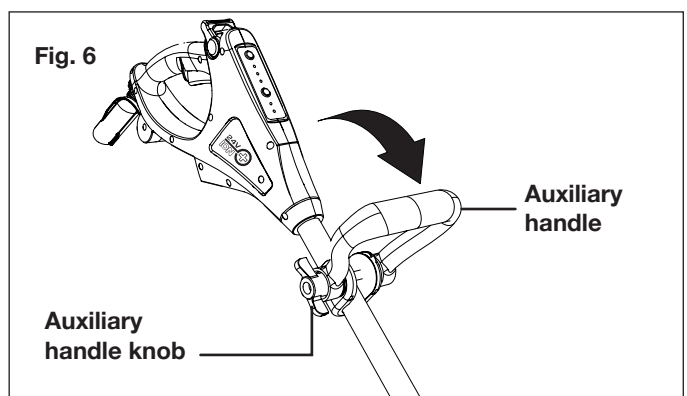


2. Insert the bolt from the back of the pole through the aligned holes in the poles and secure the front end with the knob (Fig. 5).

NOTE: You may have to carefully move the wiring inside the tube to one side if it blocks the path of the bolt.

3. Loosen the auxiliary handle knob and set the auxiliary handle in a comfortable working position. Lock the auxiliary handle knob securely (Fig. 6).

NOTE: The auxiliary handle can be set to 7 angles in 30° increments. Select the optimal position based on the project's need.



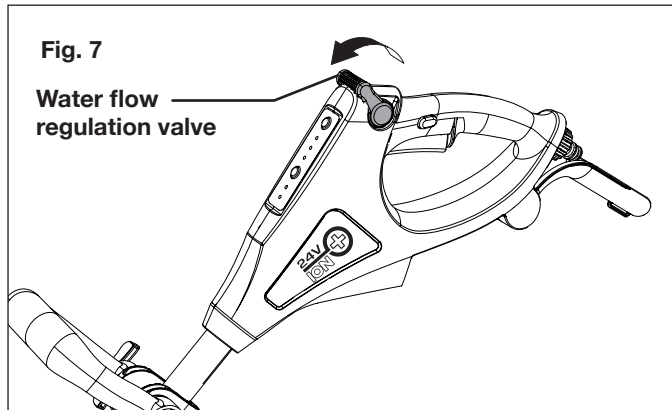
Connect to Water Source

The patio cleaner can be connected with spigot by a regular garden hose with the included garden hose adapter. Follow the instruction below for a secure connection.

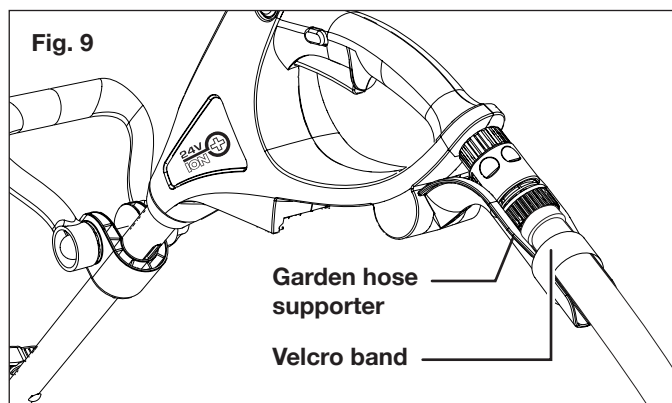
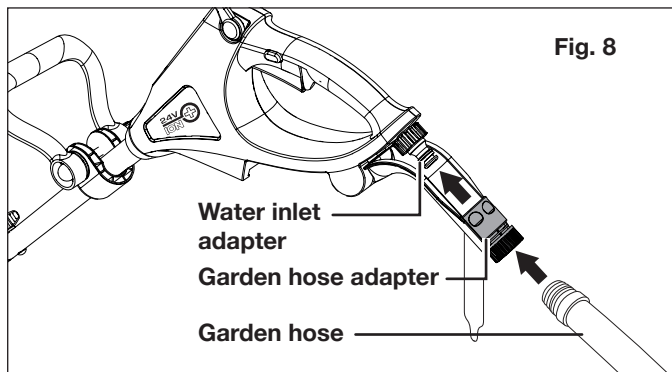
⚠️ WARNING! The patio cleaner must only be used with clean water; use of unfiltered water containing corrosive chemicals will damage the patio cleaner.

⚠️ WARNING! The intake water temperature must not exceed 95°F/35°C.

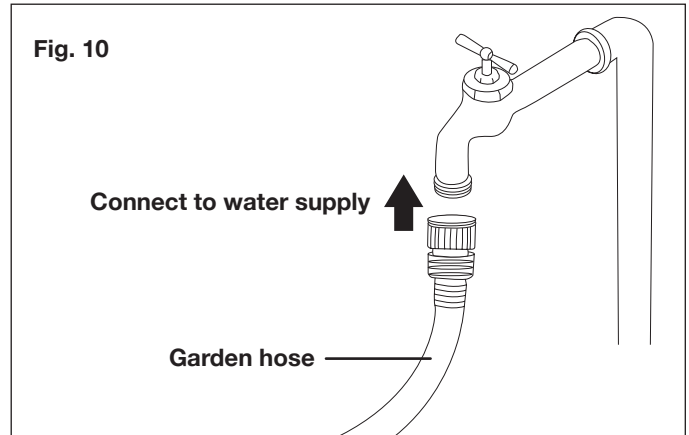
1. Before connecting to water source, make sure the water flow regulation valve is set to the minimum setting (Fig. 7).



2. First, connect the patio cleaner with the provided garden hose adapter. Pull down the collar of the garden hose adapter and fit it onto the water inlet adapter. Release the collar to lock the adapter in place. Then connect the garden hose to the garden hose adapter. Twist tightly to secure (Fig. 8). Rest the garden hose on the garden hose supporter, and use the Velcro band attached to the hose supporter to fix the garden hose in place (Fig. 9).



3. Attach the other end of the garden hose to water supply (Fig. 10).

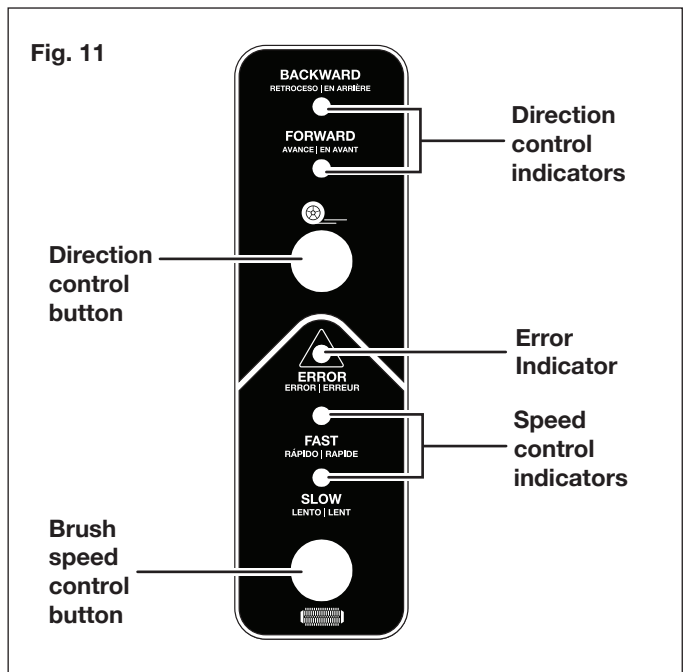


⚠️ WARNING! Keep hose away from sharp objects. Bursting hoses may cause injury. Examine hoses regularly and replace if damaged. Do not attempt to mend a damaged hose.

⚠️ WARNING! Water that has flowed through back flow preventers is considered to be non-potable.

Operation

Control Panel (Fig. 11)

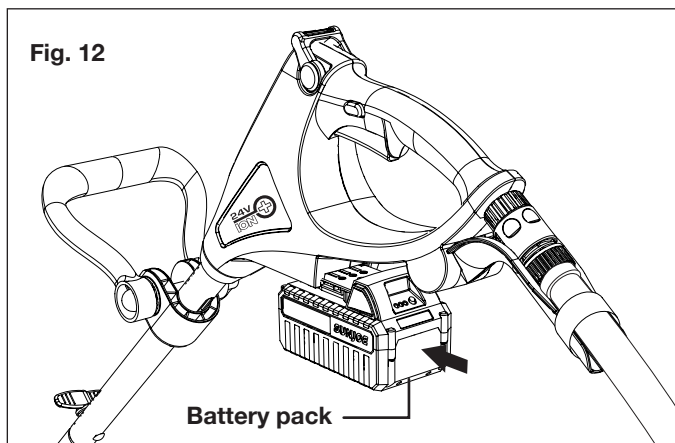


1. **Direction control** – Use the direction control button and indicators to set the appliance to move forwards or move backwards. The appliance is default set in forward mode. Press the button, the backward indicator will light and the unit will move backward. Press the button again, the forward indicator will light and the unit will move forward.

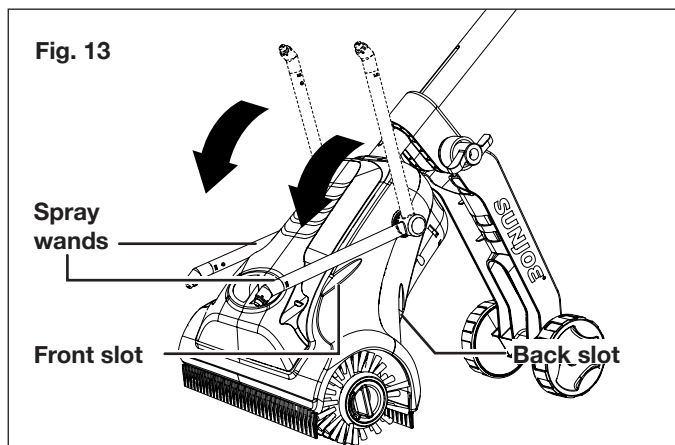
- Brush speed control** – The brush rotation speed can be set in 2 settings: slow mode of 800 rpm (for smooth surfaces) and fast mode of 1000 rpm (for rough surfaces). The appliance is default set in fast mode. Press the speed control button, the slow mode indicator will light and the appliance will run in slow mode. Press the speed control button again to change to fast speed.
- Error indicator** – The error indicator will flash in red to indicate overcurrent, and the appliance will automatically shut down.

Starting the Cleaner

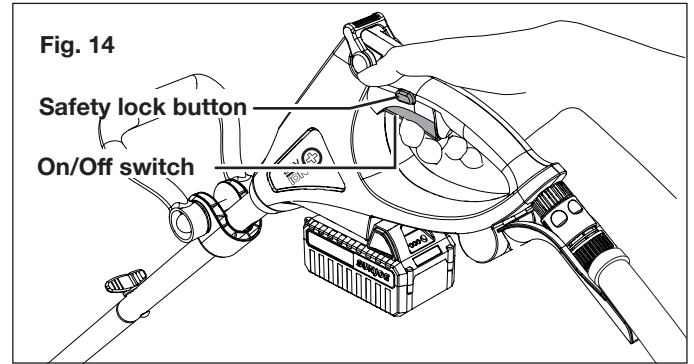
1. Make sure the patio cleaner is connected with a proper water source. Slide the battery into the battery compartment until it clicks and locks into position (Fig. 12).



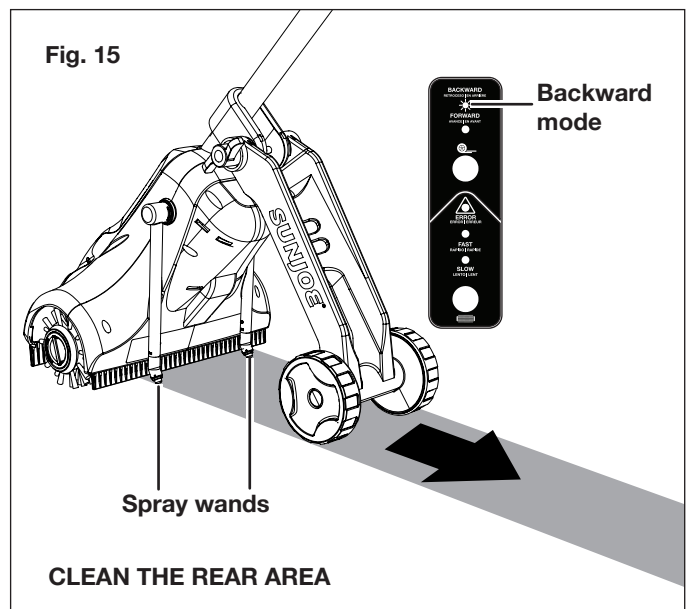
2. Turn the water supply tap on completely.
3. Determine the direction you want to clean and adjust the spray wands accordingly. Rotate the spray wands to the back of the machine to clean the rear area. Rotate the spray wand to the front of the machine to clean the front area. Rest the spray wands in the slots located on the front and the back of the machine (Fig. 13).



4. Make sure the water flow regulation valve is set to the minimum flow position (front), press the safety lock button, and squeeze the On/Off switch. When the appliance is running, release the safety lock button (Fig. 14).



5. Use the control panel to set the appliance in desired direction and brush speed. If the rear area needs to be cleaned, set the appliance in backward mode (Fig. 15). If the front area need to be cleaned, set the appliance in forward mode (Fig. 16) Make sure the spray wands are placed in the corresponding position.



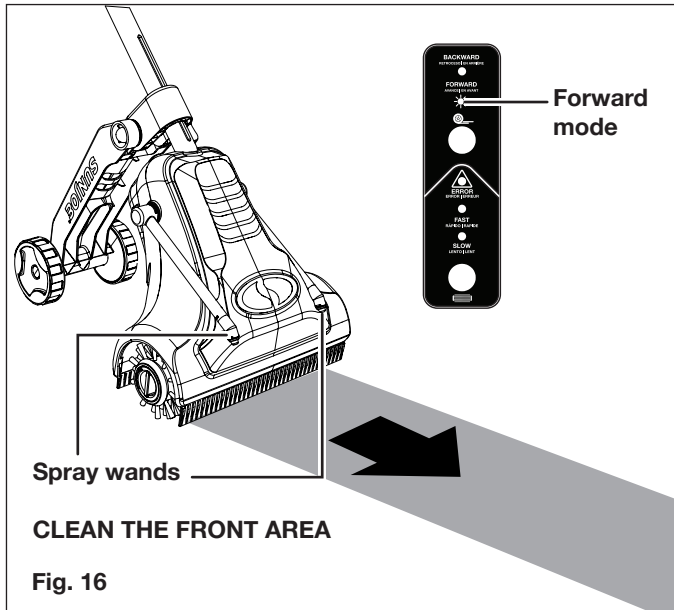


Fig. 16

6. Open the water flow regulation valve and set the water to a suitable flow for the task. Adjust the water flow during operation as needed. Push the valve forward to reduce the water flow, and pull the valve backward to increase the water flow (Fig. 17).

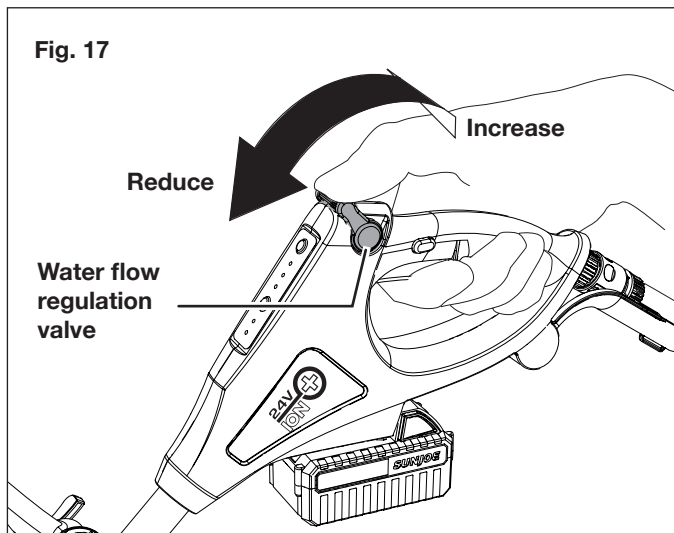


Fig. 17

Basic Cleaning Procedure

The device is intended for removal of dirt and grime from outdoor surfaces. The device is suitable for wooden, stone or composite material (WPC) surfaces. Do not use the device for cleaning planted areas such as a lawn or flower bed.

1. Before cleaning, remove all the loose elements from the surface.
2. Before starting, position the unit and make sure the brushes are evenly placed on the surface to be cleaned (Fig. 18).

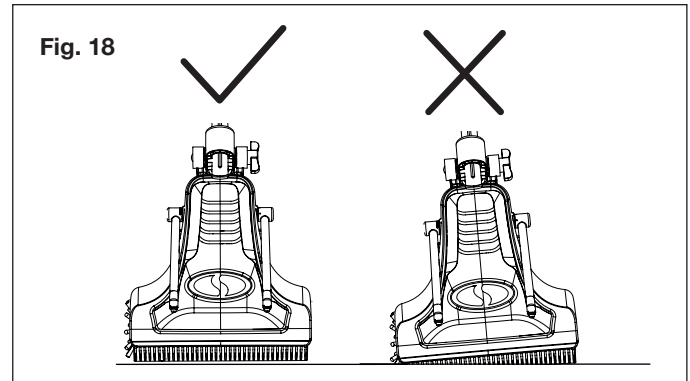


Fig. 18

3. Start the appliance and adjust the water flow as needed. Guide the brushes over the surface with light pressure.
4. If you need to change brush speed or cleaning direction during operation, make sure to close the water flow completely by pushing the water flow regulation valve forward before making the change.

NOTE: Once the appliance is shut off and the battery is removed, it will return to the default setting of fast brush speed and forward direction.

5. When cleaning delicate surfaces such as wood, it's recommended to test the device on an inconspicuous area. During cleaning, do not allow the appliance to remain in one area for an extended time. Keep it moving.

NOTE: Always clean wooden surfaces in the direction of the grain. Always clean along the floorboards or wooden elements and down the slope.

NOTE: If the wood has previously been pre-treated, the pre-treatment may be removed and cause an uneven effect.

6. The rotating brush is equipped with side bristle on one side, which is used for cleaning the bottom of walls and steps. Walk slowly along the wall and guide the side bristle to brush the area to be cleaned (Fig. 19).

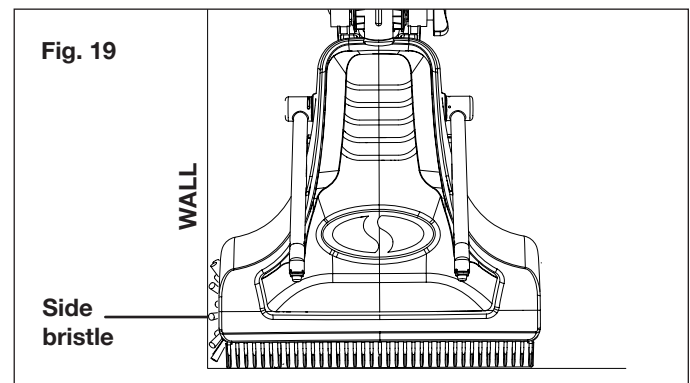


Fig. 19

Shutting Down

1. Push the water flow regulation valve forward to stop the water flow. Release the trigger. Remove the battery.
2. Turn off the water source. Disconnect the garden hose connection on the patio cleaner.

- Before storage, drain the remaining water from the appliance. Turn the water flow regulation valve to open the water flow completely, stand the device upright for a while. The remaining water will drain from the nozzles.

NOTE: An incompletely drained appliance can be damaged by frost.

⚠️ WARNING! Do not knock the housing on the ground to drain the remaining water.

Storage

⚠️ CAUTION! Always store your patio cleaner in a frost-free location where the temperature will not fall below 32°F (0°C). **FREEZE DAMAGE IS NOT COVERED BY THE WARRANTY.**

- Store the patio cleaner indoors in a dry, covered area where it is not subject to adverse weather conditions.
- Always empty water from all hoses, attachments and unit, before storing.

Maintenance

To order genuine replacement parts or accessories for the Sun Joe® 24V-PSC-CT cordless patio cleaner, please visit sunjoe.com or contact the Snow Joe® + Sun Joe® customer service center at 1-866-SNOWJOE (1-866-766-9563).

⚠️ CAUTION! Before working on the patio cleaner, remove the battery from the compartment.

Cleaning

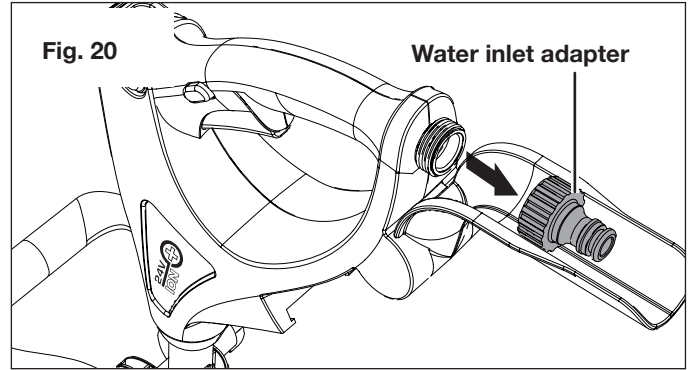
⚠️ WARNING! To avoid serious personal injury, always turn the unit off and remove the battery before cleaning or servicing.

- Use a wet cloth to clean the outside of the unit. Do not use strong detergents, household cleaners that contain aromatic oils (e.g. pine and lemon) or harsh solvents such as kerosene as these substances can damage the plastic housing or the handles. Do not use a hose or pressure washer to clean the appliance.
- Remove the soiling, debris or sand/stone from the brush. If necessary, remove the brushes and clean them under running water. See instruction in Cleaning/Replacing the Brushes on page 14 for how to disassemble the brushes.

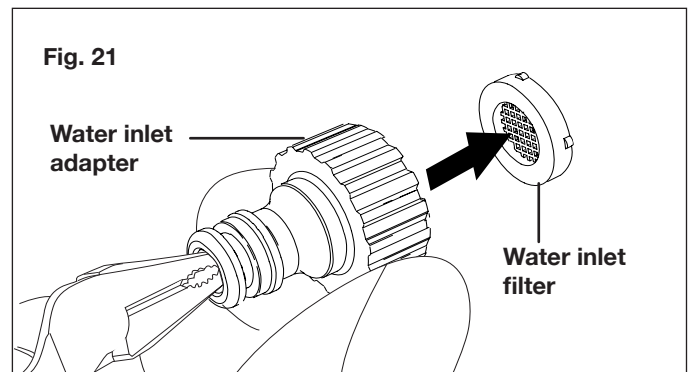
Clean the Water Inlet Filter

To ensure good performance, check and clean the water inlet filter on the end of the water inlet adapter.

- Turn the water inlet adapter counterclockwise and remove it from the water inlet (Fig. 20).



- Insert a plier into the smaller end of the adapter to take out the water inlet filter, as shown (Fig. 21).

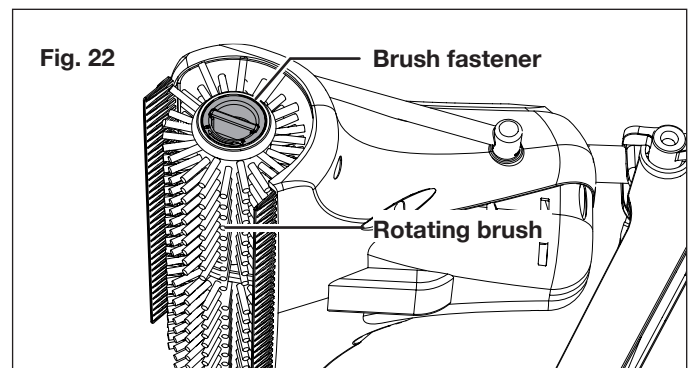


- Rinse all components with warm water, including the water inlet filter, the water inlet adapter, and the garden hose adapter to prevent any foreign matter from clogging the appliance.

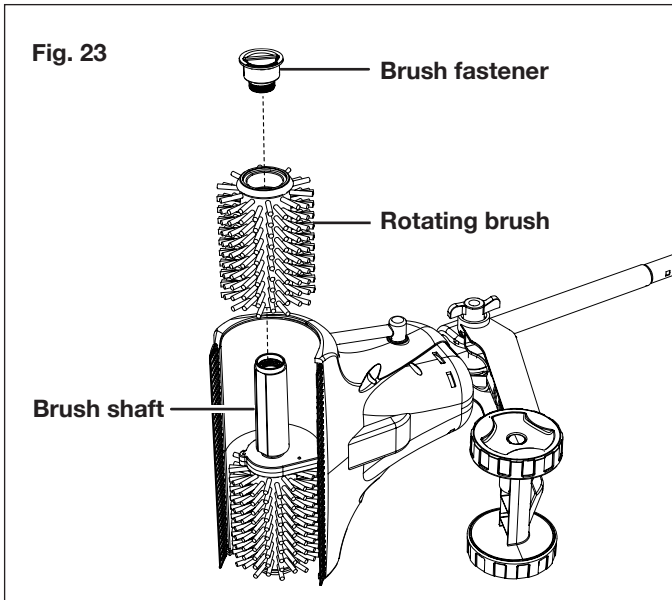
Cleaning/Replacing the Brushes

IMPORTANT: Only use original replacement parts specified for this appliance. The use of parts that do not meet the original equipment specifications may lead to improper performance of the patio cleaner, may compromise operator safety.

- Turn off the appliance and remove the battery from the battery compartment.
- Turn the appliance sideways so the brush fastener is facing up. Turn the brush fastener counterclockwise to unlock the brush (Fig. 22).

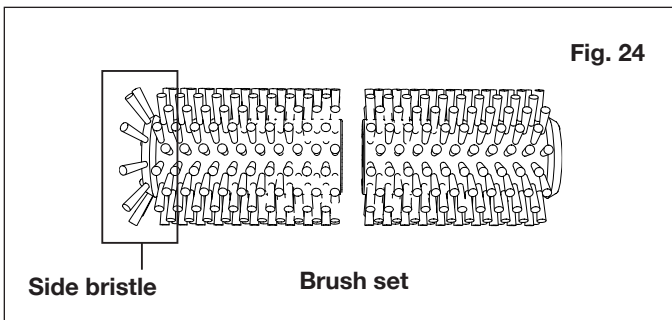


3. Remove both the brush and the brush fastener (Fig. 23).

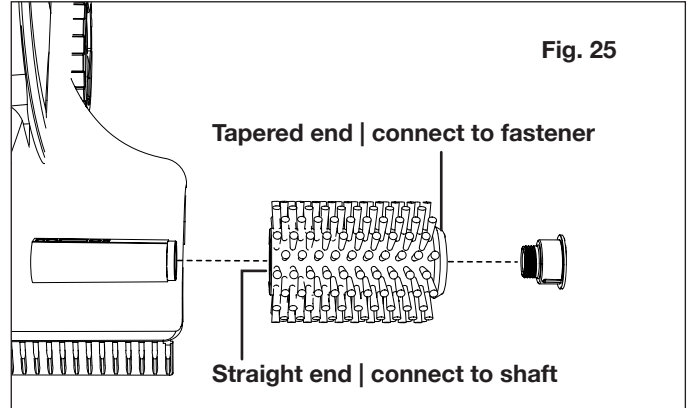


4. Repeat the above steps to remove the brush and the brush fastener on the other side.
5. Clean the brushes and the brush fasteners under running water. If the brushes are worn out, replace with a new set of brushes.

NOTE: One brush set contains 2 rotating brushes, which looks different. One of the rotating brushes is equipped with side bristles to clean walls or other vertical surface (Fig. 24). The rotating brush with side bristles can be assembled at either left side or right side as needed.



NOTE: When replacing the brushes, pay attention to the direction of the brush. The tapered end should always facing outside and be connected with the fastener (Fig. 25).



Disposal

Recycling the Cleaner

- Do not dispose of appliances as unsorted municipal waste. Use separate collection facilities.
- Contact your local government agency for information regarding the collection systems available.
- If appliances are disposed of in landfills or dumps, hazardous substances can leak into the groundwater and get into the food chain, damaging your health and well-being.
- When replacing old appliances with new ones, the retailer is legally obligated to take back your old appliance for disposal at least free of charge.

Recycling + Disposal

The product comes in a package that protects it against damage during shipping. Keep the package until you are sure that all parts have been delivered and the product is functioning properly. Recycle the package afterwards or keep it for long-term storage.

Battery Caution + Disposal

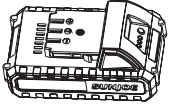
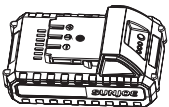
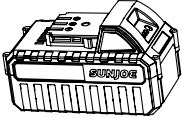
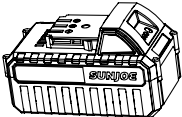

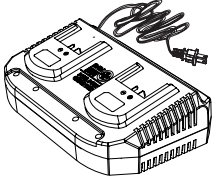
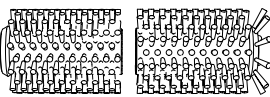
Always dispose of your battery pack according to federal, state, and local regulations. Contact a recycling agency in your area for recycling locations.

⚠ CAUTION! Even discharged battery packs contain some energy. Before disposing, use electrical tape to cover the terminals to prevent the battery pack from shorting, which could cause a fire or explosion.

⚠ WARNING! To reduce the risk of injury or explosion, never burn or incinerate a battery pack even if it is damaged, dead or completely discharged. When burned, toxic fumes and materials are emitted into the surrounding atmosphere.

Optional Accessories

⚠️ WARNING! ALWAYS use only authorized Snow Joe® + Sun Joe® replacement parts and accessories. NEVER use replacement parts or accessories that are not intended for use with this cordless patio cleaner. Contact Snow Joe® + Sun Joe® if you are unsure whether it is safe to use a particular replacement part or accessory with your patio cleaner. The use of any other attachment or accessory can be dangerous and could cause injury or mechanical damage.

Accessories	Item	Model
	24V iON+ 2.0 Ah Lithium-Ion Battery	24VBAT-LTE
	24V iON+ 2.5 Ah Lithium-Ion Battery	24VBAT-LT
	24V iON+ 4.0 Ah Lithium-Ion Battery	24VBAT
	24V iON+ 5.0 Ah Lithium-Ion Battery	24VBAT-XR
	24V iON+ Lithium-Ion Battery Quick Charger	24VCHRG-QC
	24V iON+ Lithium-Ion Dual-Port Battery Charger	24VCHRG-DPC
	Replacement brush set	24V-PSC-BRUSH

NOTE: Accessories are subject to change without any obligation on the part of Snow Joe® + Sun Joe® to provide notice of such changes. Accessories can be ordered online at sunjoe.com or via phone by contacting the Snow Joe® + Sun Joe® customer service center at 1-866-SNOWJOE (1-866-766-9563).



SNOW JOE® + SUN JOE® CUSTOMER PROMISE

ABOVE ALL ELSE, Snow Joe, LLC (“Snow Joe”) is dedicated to you, our customer. We strive to make your experience as pleasant as possible. Unfortunately, there are times when a Snow Joe®, Sun Joe®, or Aqua Joe® product (“Product”) does not work or breaks under normal operating conditions. We think it’s important that you know what you can expect from us. That’s why we have a Limited Warranty (“Warranty”) for our Products.

OUR WARRANTY:

Snow Joe warrants new, genuine, powered and non-powered Products to be free from defects in material or workmanship when used for ordinary household use for a period of two years from the date of purchase by the original, end-user purchaser when purchased from Snow Joe or from one of Snow Joe’s authorized sellers with proof of purchase. Because Snow Joe is unable to control the quality of its Products sold by unauthorized sellers, unless otherwise prohibited by law, this Warranty does not cover Products purchased from unauthorized sellers. If your Product does not work or there’s an issue with a specific part that is covered by the terms of this Warranty, Snow Joe will elect to either (1) send you a free replacement part, (2) replace the Product with a new or comparable product at no charge, or (3) repair the Product. How cool is that!

This Warranty gives you specific legal rights, and you may also have other rights which vary from State to State.

PRODUCT REGISTRATION:

Snow Joe strongly encourages you to register your Product. You can register online at snowjoe.com/register, or by printing and mailing in a registration card available online from our website, or calling our Customer Service Department at **1-866-SNOWJOE (1-866-766-9563)**, or by e-mailing us at help@snowjoe.com. Failure to register your Product will not diminish your warranty rights. However, registering your Product will allow Snow Joe to better serve you with any of your customer service needs.

WHO CAN SEEK LIMITED WARRANTY COVERAGE:

This Warranty is extended by Snow Joe to the original purchaser and original owner of the Product.

WHAT IS NOT COVERED?

This Warranty does not apply if the Product has been used commercially or for non-household or rental applications. This Warranty also does not apply if the Product was purchased from an unauthorized seller. This Warranty also does not cover cosmetic changes that do not affect performance. Wearing parts like belts, augers, chains and tines are not covered under this Warranty, and can be purchased at snowjoe.com or by calling **1-866-SNOWJOE (1-866-766-9563)**.



LIMPIADOR DE PATIOS INALÁMBRICO – SOLO HERRAMIENTA

24 V MÁX* | 30.5 CM

MANUAL DEL OPERADOR

Una división de Snow Joe®, LLC

Modelo 24V-PSC-CT

Forma N° SJ-24V-PSC-CT-880S-MR1

¡IMPORTANTE! Instrucciones de seguridad

Todos los operadores deberán leer estas instrucciones antes del uso

⚠ ¡ADVERTENCIA! Esto indica una situación peligrosa que, de no ser evitada, puede causar lesiones personales severas o la muerte.

⚠ ¡PRECAUCIÓN! Esto indica una situación peligrosa que, de no ser evitada, puede causar lesiones personales menores o moderadas.

⚠ ¡PELIGRO! Esto indica una situación peligrosa que, de no ser evitada, causará lesiones personales severas o la muerte.

Seguridad general

⚠ ¡ADVERTENCIA! Este artefacto no ha sido diseñado para su uso por niños ni por otras personas sin asistencia o supervisión cuyas habilidades físicas, sensoriales o mentales les impidan usarlo de forma segura. Los niños deben estar bajo supervisión para garantizar que no jueguen con el artefacto.

Antes de encender su máquina, inspecciónela cuidadosamente para cerciorarse de que no tenga defectos. Si encuentra algún defecto, no la encienda. Comuníquese con un concesionario autorizado Snow Joe® + Sun Joe® o con la central de servicio al cliente Snow Joe® + Sun Joe® llamando al 1-866-SNOWJOE (1-866-766-9563).

⚠ ¡ADVERTENCIA! Al usar este limpiador de patios, se deberán tomar siempre precauciones básicas de seguridad para reducir riesgos de incendio, choque eléctrico y lesiones personales. Estas incluyen:

- **Evite entornos peligrosos.**
- **No lo use bajo la lluvia.**
- **No fuerce el artefacto:** hará un mejor trabajo y con menos posibilidades de lesiones personales si lo usa de la forma para la cual fue diseñado.
- **Guarde los artefactos en interiores:** cuando no estén siendo usados, los artefactos deberán ser guardados en interiores, en lugares secos y altos o bajo llave, lejos del alcance de los niños.

- **Conozca su producto:** sepa cómo detener la máquina rápidamente. Familiarícese a fondo con los controles.
- **Mantenga alejados a los transeúntes:** todas las personas y mascotas deberán encontrarse a una distancia segura del área de trabajo.
- **Use el producto adecuado:** no utilice esta máquina para ningún otro trabajo excepto para el cual está destinada.
- **Vístase apropiadamente:** no lleve prendas holgadas ni joyas. Pueden llegar a engancharse en las partes móviles. Al trabajar en exteriores, se recomienda el uso de guantes de goma y calzado antideslizante.
- **⚠ ¡PRECAUCIÓN!** Tenga cuidado y evite resbalarse o caerse. Use calzado que proteja sus pies y mejore su posición de pie en superficies resbaladizas.
- **Manténgase alerta:** vea lo que está haciendo. Utilice su sentido común. No opere el limpiador de patio si usted está cansado o bajo la influencia del alcohol o las drogas.
- **No se extralimite:** mantenga con sus pies una posición y un equilibrio adecuados todo el tiempo.
- **Evite encendidos accidentales:** no transporte una máquina motorizada mientras tenga el dedo sobre el interruptor. Asegúrese de que el interruptor esté en la posición de apagado antes de insertar la batería.
- **Retire la batería:** retire la batería del limpiador de patios cuando no esté siendo usada, antes de repararla, al cambiarle accesorios, o al realizar cualquier otra tarea de mantenimiento en este.
- **Use gafas protectoras:** use también calzado protector, ropa que se ajuste a su cuerpo, guantes protectores y protección auditiva y para la cabeza.
- **Compruebe la temperatura del agua:** este limpiador motorizado no ha sido diseñado para bombear agua caliente. NUNCA lo conecte a una fuente de agua con una temperatura que exceda los 95°F (35°C).


⚠ ¡ADVERTENCIA! No use este artefacto sin antes leer este manual de instrucciones.


⚠ ¡ADVERTENCIA! No emplee este artefacto cerca de personas, a menos que estén usando ropa protectora.


⚠ ¡ADVERTENCIA! El chorro no deberá estar dirigido a personas, mascotas ni equipos eléctricos activos.

- No dirija el chorro hacia usted u otras personas para limpiar ropa o calzado.

- **Riesgo de explosión:** no rocíe líquidos inflamables.
- **Mantenga alejados a los niños:** este limpiador de patios inalámbrico no debe ser usado por niños ni personas no capacitadas. Se debe tener una extrema cautela y supervisión cuando este producto sea usado cerca de niños.
- Para garantizar un uso seguro del artefacto, use solo partes de repuesto del fabricante o aprobadas por éste.

 **¡ADVERTENCIA!** Durante la limpieza, mantenimiento o reemplazo de las partes, esta máquina deberá estar desconectada de su fuente de alimentación, es decir tener su batería desconectada.

 **¡ADVERTENCIA!** Las mangueras, juntas y acoplamientos son importantes para la seguridad del artefacto. Use solo mangueras, juntas y acoplamientos recomendados por el fabricante.

 **¡ADVERTENCIA!** Peligro de choque eléctrico: antes de encender su máquina, inspecciónela cuidadosamente para comprobar que no tenga defectos. Si encuentra algún defecto, no la encienda y comuníquese con su distribuidor.

IMPORTANTE: no conecte la máquina a una fuente de agua turbia, fangosa o corrosiva. No se recomienda el uso de esta máquina con agua salada. Enjuáguela inmediatamente con agua dulce para un mantenimiento adecuado.

- **Verifique si hay partes dañadas:** antes de seguir usando este artefacto, cualquier protector u otro componente que esté dañado deberá ser cuidadosamente examinado para determinar si funcionará correctamente o no. Verifique el alineamiento de las partes móviles, las juntas de las partes móviles, roturas de partes, monturas y cualquier otra condición que pueda afectar el funcionamiento del artefacto. Una guarda u otra parte que esté dañada deberá ser reparada correctamente o reemplazada en un centro de servicio autorizado a menos que se indique lo contrario en este manual.


Instrucciones adicionales de seguridad

Instrucciones de seguridad para limpiadores de patios

- Opere el dispositivo solo con agua fresca, limpia y no tratada. El dispositivo no debe, bajo ninguna circunstancia, ser operado con sustancias explosivas, corrosivas o inflamables.
- Nunca sumerja por completo el dispositivo en líquidos.
- Solo opere el dispositivo en exteriores.
- No use el dispositivo en superficies donde haya agua presente.

- Asegúrese de que la superficie a ser limpiada esté libre de arena, piedras o elementos sueltos antes de empezar a trabajar. Estos pueden ser lanzados durante la limpieza o dañar la superficie y el dispositivo.
- No jale la manguera conectada.
- Solo encienda el dispositivo cuando los cepillos estén sobre el piso.
- Tenga cuidado con el retroceso del dispositivo durante la operación. Al encenderse, el dispositivo retrocede contra el operador. Sujete el dispositivo de forma segura y mantenga una posición de pie firme y segura.
- No levante el dispositivo por encima del piso al ser encendido.
- Todas las partes con electricidad en el área deben estar protegidas contra el agua rociada.
- No opere el dispositivo cerca de otros dispositivos conectados a fuentes de suministro eléctrico.
- Proteja el dispositivo contra congelación y calor excesivo. Solo opere y guarde el dispositivo en una temperatura ambiente permitida entre 41°F (5°C) y 104°F (40°C).

Seguridad eléctrica

 **¡ADVERTENCIA!** Lea todas las advertencias de seguridad e instrucciones. No seguir las instrucciones y advertencias puede causar un choque eléctrico, incendio y/o lesiones personales graves.

1. Evite encendidos accidentales. Asegúrese de que el interruptor esté en la posición de apagado antes de insertar la batería, levantar el artefacto o transportarlo. Llevar un artefacto con su dedo sobre el interruptor, o un artefacto con el interruptor en la posición de encendido, puede causar accidentes.
2. Desconecte la batería del artefacto antes de realizar cualquier ajuste, cambiar accesorios, o guardar el artefacto. Dichas medidas preventivas de seguridad reducen el riesgo de encender el artefacto de forma accidental.
3. Recargue solo con el cargador especificado por el fabricante. Un cargador adecuado para un tipo de batería puede causar un incendio al ser usado con una batería de otro tipo.
4. Use artefactos a batería solo con baterías específicamente diseñadas para éstos. El uso de cualquier otra batería puede causar un incendio o lesiones personales.
5. Cuando la batería no esté siendo usada, manténgala alejada de otros objetos metálicos como monedas, sujetapapeles, clavos, tornillos, alfileres u otros objetos metálicos pequeños que puedan causar el contacto de un terminal de la batería con el otro. Cortocircuitar los terminales de la batería puede causar quemaduras o un incendio.
6. Bajo condiciones extremas, las baterías pueden expulsar un líquido. Evite el contacto con este líquido. Si usted accidentalmente hace contacto con este líquido, enjuáguese con agua. Si el líquido hace contacto con

los ojos, adicionalmente busque atención médica. El líquido que sale de las baterías puede causar irritación o quemaduras.

7. No use baterías o artefactos que hayan sido dañados o modificados. Las baterías dañadas o modificadas pueden reaccionar impredeciblemente, causando un incendio, explosión o lesiones personales.
8. No exponga una batería o artefacto al fuego o a temperaturas extremas. Una exposición al fuego o a temperaturas por encima de los 265°F (130°C) puede causar una explosión.
9. Siga todas las instrucciones de carga, y no cargue la batería fuera del rango de temperaturas especificado en las instrucciones. Cargar de forma incorrecta o a temperaturas fuera del rango especificado puede dañar la batería e incrementar el riesgo de incendio.
10. Deberán ser reparadas por una persona calificada usando únicamente partes de repuesto originales. Esto mantendrá la seguridad del producto.
11. No modifique ni intente reparar el artefacto o la batería (de ser aplicable), a menos que lo haga según lo indicado en las instrucciones de uso y cuidado.

Instrucciones de seguridad para la batería y el cargador

NOTA: este paquete solo incluye la herramienta. La batería y el cargador no están incluidos. Deben ser adquiridos por separado.

El modelo 24V-PSC-CT es compatible con las baterías y cargadores del sistema iON+ de 24 V. Vea la página 37 para más información.

Prestamos mucha atención al diseño de cada batería para garantizar la producción de baterías seguras y durables, con una alta densidad de energía. Las celdas de las baterías tienen varios dispositivos de seguridad. Cada celda individual es inicialmente formateada y sus curvas eléctricas características son registradas. Estos datos son luego usados exclusivamente para ensamblar las mejores baterías posibles.

Independientemente de todas las precauciones de seguridad, se debe tener mucho cuidado al manipular la batería. Las siguientes instrucciones deben ser obedecidas en todo momento para garantizar un uso seguro. Un uso seguro solo puede ser garantizado si se usan celdas libres de daños. Una manipulación incorrecta de las baterías puede causar daños en sus celdas.

¡IMPORTANTE! Los análisis han confirmado que el uso incorrecto y el cuidado deficiente de baterías de alto rendimiento son las causas principales de lesiones personales y/o daños al producto.

⚠ ¡ADVERTENCIA! Use solo baterías de repuesto aprobadas. Otras baterías pueden dañar el limpiador de patios inalámbrico y provocar un desperfecto que pueda causar lesiones personales severas.

⚠ ¡ADVERTENCIA! No use baterías o artefactos que hayan sido dañados o modificados. Una batería dañada o alterada puede reaccionar impredeciblemente, causando un incendio, explosión, o riesgo de lesiones personales.


No modifique ni intente reparar el artefacto o la batería, a menos que lo haga según lo indicado en las instrucciones de uso y cuidado.

Su batería deberá ser reparada por una persona calificada usando únicamente partes de repuesto originales. Esto mantendrá la seguridad de la batería.

⚠ ¡PRECAUCIÓN! Para reducir el riesgo de lesiones personales, cargue la batería de iones de litio iON+ de 24 V solo con el cargador de baterías de iones de litio designado iON+ de 24 V. Otros tipos de cargadores presentan riesgos de incendio, lesiones personales y daños materiales. No conecte la batería a un tomacorriente doméstico ni encendedor de cigarrillos en su vehículo. Dicho uso indebido dañará o deshabilitará permanentemente la batería.

- **Evite entornos peligrosos:** no cargue la batería bajo la lluvia o nieve, ni en lugares húmedos o mojados. No use la batería ni el cargador en atmósferas explosivas (gases, polvo o materiales inflamables) ya que al insertar o retirar la batería se pueden generar chispas que causen un incendio.
- **Cargue la batería en un área bien ventilada:** no obstruya los conductos de ventilación del cargador. Manténgalos despejados para permitir una ventilación adecuada. No permita que se fume o haya fuego abierto cerca de una batería siendo cargada. Los gases presentes pueden explotar.
- **NOTA:** el rango seguro de temperatura para la batería es de 41°F (5°C) a 105°F (40.5°C). No cargue la batería en exteriores a temperaturas congelantes. Cárguela a temperatura ambiente en interiores.
- **Cuide el cable de alimentación del cargador:** al desenchufar el cargador tire del enchufe, no del cable de alimentación, para desconectarlo del tomacorriente y así evitar daños al enchufe y cable. Nunca transporte el cargador colgado de su cable, ni tire del cable para desconectarlo del tomacorriente. Mantenga el cable alejado del calor, grasas y bordes afilados. Asegúrese de que el cable no sea pisado, que la gente no se tropiece con éste, ni que esté sujeto a daños o tensiones mientras el cargador esté siendo usado. No use el cargador con un cable o enchufe dañado. Reemplace un cargador dañado inmediatamente.
- **No use un cable de extensión a menos que sea absolutamente necesario:** usar un cable de extensión incorrecto, dañado o conectado de forma inapropiada puede causar un incendio o choque eléctrico. Si se debe usar un cable de extensión, conecte el cargador a un cable de extensión de calibre 16 (o más grueso) de alambrado adecuado, con el enchufe macho del cargador encajando perfectamente en el enchufe hembra del cable de extensión. Verifique que el cable de extensión esté en buenas condiciones.

- **Use solo accesorios recomendados:** el uso de un accesorio no recomendado ni vendido por el fabricante de la batería o cargador puede resultar en un riesgo de un choque eléctrico, incendio o lesiones personales.
- **Desenchufe el cargador cuando no esté siendo usado:** asegúrese de desconectar la batería de un cargador desenchufado.

 **¡ADVERTENCIA!** Para reducir el riesgo de un choque eléctrico, desenchufe siempre el cargador antes de llevar a cabo cualquier tarea de limpieza o mantenimiento. No permita que entre agua dentro del cargador. Use un interruptor de circuito por falla a tierra (GFCI) para reducir el riesgo de un choque eléctrico.

- No queme ni incinere la batería: la batería puede explotar y causar lesiones personales o daños materiales. Cuando la batería es quemada se generan sustancias y humos tóxicos.
- No triture, deje caer ni dañe la batería: no use la batería ni el cargador si han sido severamente golpeados, se han dejado caer, se han aplastado o se han dañado de cualquier forma como por ejemplo perforados con un clavo, golpeados con un martillo, pisados, etc.
- No los desarme: el reensamblado incorrecto puede presentar un riesgo severo de choque eléctrico, fuego o exposición a químicos tóxicos de la batería. Si la batería o el cargador están dañados, contacte a un concesionario autorizado Snow Joe® + Sun Joe® o comuníquese con la central de servicio al cliente Snow Joe® + Sun Joe® llamando al 1-866-SNOWJOE (1-866-766-9563) para obtener ayuda.
- Los químicos de la batería causan quemaduras severas: nunca deje que una batería dañada haga contacto con la piel, ojos o boca. Si una batería dañada deja escapar químicos, use guantes de hule o neopreno para deshacerse de ella de forma segura. Si la piel es expuesta a los químicos de la batería, lave el área afectada con jabón y agua, y enjuague con vinagre. Si los ojos son expuestos a los químicos, inmediatamente enjuáguelos con agua durante 20 minutos y busque atención médica. Quítense y deshágase de las vestimentas contaminadas.
- No provoque un cortocircuito: una batería puede hacer cortocircuito si un objeto metálico hace conexión entre los contactos positivo y negativo de la batería. No coloque una batería cerca de objetos que puedan causar un cortocircuito tales como monedas, sujetapapeles, tornillos, clavos, llaves u otros objetos metálicos. Una batería cortocircuitada representa un riesgo de incendio y lesiones personales severas.
- Guarde su batería y cargador en un lugar fresco y seco: no guarde la batería ni el cargador donde las temperaturas puedan exceder los 105°F (40.5°C), como bajo la luz directa del sol o dentro de un vehículo o construcción metálica durante el verano.

Información sobre la batería

1. Para un óptimo rendimiento de la batería, evite ciclos de descarga baja cargándola frecuentemente.
2. Guarde la batería en un lugar fresco, de preferencia a 77°F (25°C) y cargada al menos a un 40%.
3. Las baterías de iones de litio están sujetas a un proceso natural de desgaste. Una batería debe ser reemplazada a más tardar cuando su capacidad caiga a un 80% de su capacidad inicial, cuando estaba nueva. Las celdas debilitadas en una batería gastada no cumplirán con los requisitos de alta potencia necesarios para la operación adecuada de su limpiador de patios inalámbrico, y por tanto representan un riesgo de seguridad.
4. No arroje la batería al fuego abierto ya que puede causar una explosión.
5. No queme la batería ni la esponja al fuego.
6. No descargue la batería exhaustivamente. Una descarga exhaustiva dañará las celdas de la batería. La causa más común de descarga exhaustiva es el almacenamiento prolongado o la falta de uso de una batería parcialmente descargada. Deje de trabajar tan pronto como el rendimiento de la batería caiga considerablemente o se active el sistema de protección electrónico. Almacene la batería únicamente luego de haberla cargado por completo.
7. Proteja la batería y la herramienta contra sobrecargas. Las sobrecargas causarán rápidamente un sobrecalentamiento y daños a las celdas dentro de la batería, incluso si este sobrecalentamiento no es aparente por fuera.
8. Evite daños y golpes. Reemplace inmediatamente una batería que se haya caído desde una altura de más de un metro o que haya sido expuesta a golpes violentos, incluso si el exterior de la batería aparenta no tener daños. Las celdas dentro de la batería pueden haber sufrido daños severos. En dichos casos, lea la información de eliminación para deshacerse apropiadamente de la batería.
9. Si la batería sufre una sobrecarga y sobrecalentamiento, el sistema interruptor de corte de protección integrado apagará el equipo por motivos de seguridad.
¡IMPORTANTE! No presione más el interruptor de encendido/apagado si el sistema interruptor de corte de protección se ha activado. Esto puede dañar la batería.
10. Use únicamente una batería original. El uso de otras baterías puede causar lesiones personales o una explosión.

Información sobre el cargador y el proceso de carga












1. Verifique la información indicada en la placa de especificaciones del cargador de batería. Asegúrese de conectar el cargador de batería a una fuente de alimentación que tenga el voltaje indicado en la placa de especificaciones. Nunca lo conecte a una fuente de alimentación con un voltaje distinto al indicado.
2. Proteja el cargador de batería y su cable contra daños. Mantenga el cargador y su cable alejados del calor, grasa, aceite y bordes afilados. Haga reparar sin demora los cables dañados por un técnico calificado en un concesionario autorizado Snow Joe® + Sun Joe® o comuníquese con la central de servicio al cliente Snow Joe® + Sun Joe® llamando al 1-866-SNOWJOE (1-866-766-9563).
3. Los enchufes eléctricos deben encajar en los tomacorrientes. Nunca modifique el enchufe de ninguna manera. No use ningún adaptador de enchufe con artefactos que tengan conexión a tierra. El uso de enchufes no modificados y tomacorrientes equivalentes reducirá el riesgo de un choque eléctrico.
4. Mantenga el cargador de batería, la batería y la herramienta inalámbrica lejos del alcance de los niños.
5. Durante periodos de trabajo pesado, la batería se calentará. Permita que la batería se enfríe a temperatura ambiente antes de volverla a cargar.
6. No sobrecargue la batería. No exceda los tiempos máximos de carga. Estos tiempos de carga solo se aplican a baterías descargadas. Una conexión frecuente de una batería cargada o parcialmente cargada causará una sobrecarga y daños a las celdas. No deje la batería conectada al cargador por días enteros.
7. Nunca use o cargue las baterías si sospecha que han pasado más de doce (12) meses desde la última vez que fueron cargadas. Existe una alta probabilidad de que la batería ya haya sufrido un daño severo (descarga exhaustiva).
8. Cargar la batería a una temperatura menor de 41°F (5°C) causará daños químicos a las celdas y puede provocar un incendio.
9. No use baterías que hayan sido expuestas al calor durante el proceso de carga, ya que sus celdas pueden haber sufrido daños severos.
10. No use la batería si se ha curvado o deformado durante el proceso de carga, o muestre otros síntomas atípicos como liberación de gases, zumbidos, grietas, etc.
11. Nunca descargue por completo la batería (se recomienda una profundidad de descarga de un 80%). Una descarga completa de la batería causará un envejecimiento prematuro de las celdas de la batería.

Protección contra influencias del entorno

1. Use ropa de trabajo adecuada. Use gafas protectoras.
2. Proteja su herramienta inalámbrica y el cargador de batería contra la humedad y la lluvia, ya que estas pueden causar peligrosos daños a las celdas.
3. No use la herramienta inalámbrica o el cargador de batería cerca de vapores y líquidos inflamables.
4. Use el cargador de batería y la herramienta inalámbrica solo en entornos secos y a una temperatura ambiente de entre 41°F (5°C) y 105°F (40.5°C).
5. No coloque el cargador de batería en lugares donde la temperatura pueda sobrepasar los 105°F (40.5°C). En particular, no deje el cargador de batería en un auto estacionado bajo la luz directa del sol.
6. Proteja las baterías contra el sobrecalentamiento. Las sobrecargas, exceso de carga y exposición a la luz directa del sol darán como resultado un sobrecalentamiento y daños a las celdas. Nunca cargue ni trabaje con baterías que hayan estado sobrecalentadas. De ser posible, reemplácelas inmediatamente.
7. Guarde el cargador de batería y su herramienta inalámbrica solo en entornos secos y a una temperatura ambiente de entre 41°F (5°C) y 105°F (40.5°C).. Guarde sus baterías de iones de litio en un lugar fresco y seco, a una temperatura ambiente de 77°F (25°C). Proteja la batería, el cargador y la herramienta inalámbrica contra la humedad y la luz directa del sol. Solo almacene baterías cargadas por completo.
8. Evite que la batería de iones de litio se congele. Las baterías almacenadas a temperaturas menores de 32°F (0°C) por más de una hora deberán ser desechadas.
9. Al manipular la batería, tenga cuidado con las descargas electrostáticas. Las descargas electrostáticas pueden dañar el sistema electrónico de protección y las celdas de la batería. Evite las descargas electrostáticas y nunca toque los polos de la batería.

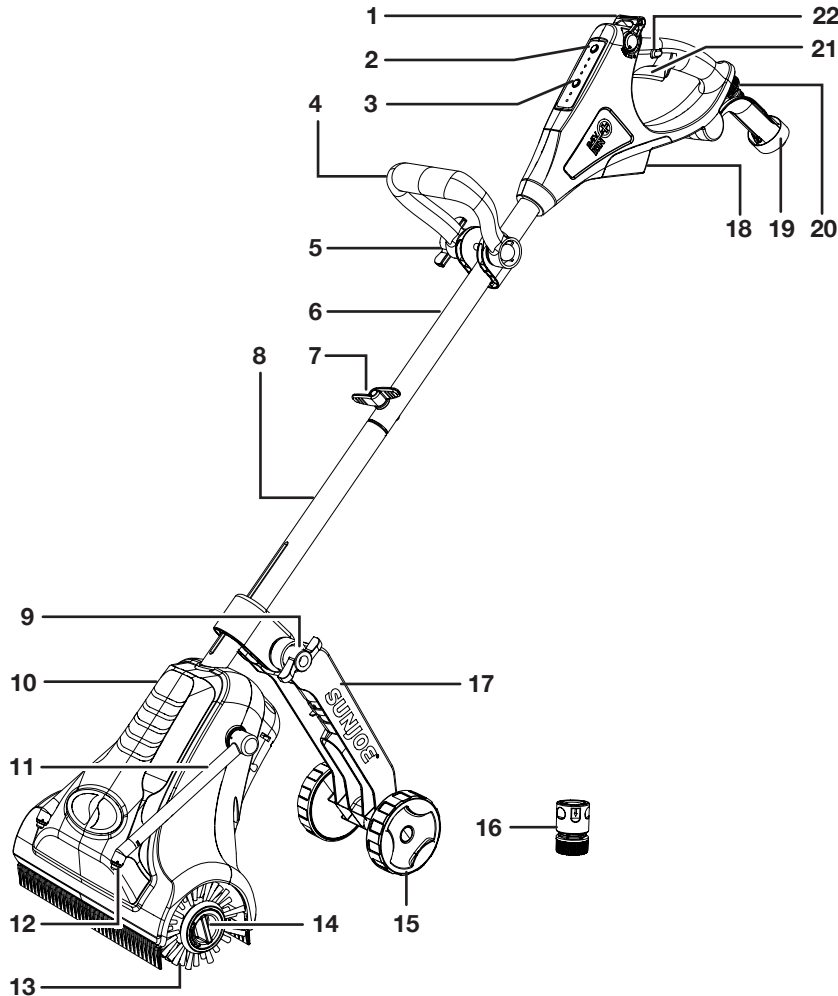
Símbolos de seguridad

La siguiente tabla muestra y describe los símbolos de seguridad que pueden aparecer en este producto. Lea, comprenda y siga todas las instrucciones relacionadas con esta máquina antes de intentar ensamblarla y operarla.

Símbolo	Descripción	Símbolo	Descripción
	LEA EL(LOS) MANUAL(ES) DEL OPERADOR: lea, comprenda y siga todas las instrucciones en el(los) manual(es) antes de intentar ensamblar y operar esta unidad.		ALERTA DE SEGURIDAD: indica una precaución, advertencia o peligro.
	¡ADVERTENCIA! No exponga la unidad a la lluvia ni a entornos mojados. Manténgala seca.		USE PROTECCIÓN OCULAR Y AUDITIVA: para evitar lesiones personales, use protección auditiva y gafas protectoras.
	Para reducir el riesgo de lesiones personales, el usuario debe mantener a los transeúntes alejados al menos a 49 pies (15 m) de distancia.		La máquina no es adecuada para su conexión a la red de suministro de agua potable.
	Use guantes de seguridad durante la operación para proteger sus manos.		Utilice calzado antideslizante que proteja sus pies y mejore su posición de pie en superficies resbaladizas.
	¡PELIGRO! Las conexiones incorrectas de manguera y/o fugas pueden causar resbalos y caídas.		Guárdelo en interiores. Nunca guarde el limpiador de patios en exteriores. Si la bomba se congela, puede dañarse de forma permanente.
	Solo para uso en interiores. Utilice el cargador de batería solamente en interiores.		

Conozca su limpiador de patios inalámbrico

Lea detenidamente el manual del operador y las instrucciones de seguridad antes de operar el limpiador de patios inalámbrico. Compare la ilustración debajo con el limpiador de patios inalámbrico para familiarizarse con las ubicaciones de los diversos controles y ajustes. Conserve este manual para futuras referencias.



- 1. Válvula reguladora de caudal de agua
- 2. Botón de control de velocidad
- 3. Botón de control de dirección
- 4. Empuñadura auxiliar
- 5. Perilla de mango auxiliar
- 6. Tubo superior
- 7. Perilla de tubo
- 8. Tubo inferior

- 9. Perilla de estructura de ruedas
- 10. Carcasa
- 11. Vara rociadora (x2)
- 12. Boquilla (x2)
- 13. Cepillo giratorio (x2)
- 14. Sujetador de cepillo (x2)
- 15. Rueda (x2)
- 16. Adaptador de manguera de jardín
- 17. Estructura de ruedas

DE VENTA POR SEPARADO

Opciones de baterías y cargadores disponibles en sunjoe.com



24VBAT-LTE



24VBAT-LT



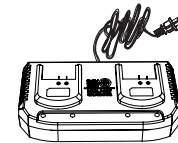
24VBAT



24VBAT-XR



24VCHRG-QC



24VCHRG-DPC

- 18. Compartimiento de batería
- 19. Soporte de manguera de jardín (con banda de velcro)
- 20. Adaptador de entrada de agua
- 21. Gatillo interruptor
- 22. Botón de trabado de seguridad

Datos técnicos

Motor	500 W con escobillas
Voltaje de la batería*	24 V CC
Ancho máximo de limpieza	12 plg (30.5 cm)
Presión máxima de entrada de agua	1 MPa
Control de caudal de agua	De 0 GPM a 0.7 GPM
Control de velocidad de cepillo	800 RPM 1,000 RPM
Tamaño de cepillo	Φ 4 plg × 5.5 plg (10 cm × 14 cm) (cada uno)
Peso neto	12 lb (5.5 kg)

*El voltaje inicial sin carga, cuando la batería está cargada por completo, alcanza un máximo de 24 V. El voltaje nominal bajo una carga típica es de 21.6 V.

Desembalaje

Contenido del paquete:

- Limpiador de patios inalámbrico con tubos
- Perilla y perno de tubo
- Adaptador de manguera de jardín
- Manual y tarjeta de registro

1. Retire cuidadosamente el limpiador de patios inalámbrico y compruebe que todos los artículos anteriores estén suministrados.
2. Inspeccione cuidadosamente el producto para asegurarse de que no haya ocurrido ningún daño o ruptura durante su transporte. Si alguna parte está dañada o extraviada, NO DEVUELVA la unidad a la tienda. Comuníquese con la central de servicio al cliente Snow Joe® + Sun Joe® llamando al 1-866-SNOWJOE (1-866-766-9563).

NOTA: no se deshaga de la caja de transporte ni de los materiales de embalaje hasta que usted esté listo para operar su nuevo limpiador de patios inalámbrico. El empaquetado está hecho de materiales reciclables. Deseche estos materiales de acuerdo con los reglamentos de su localidad.

¡IMPORTANTE! El equipo y los materiales de embalaje no son juguetes. No permita que los niños jueguen con bolsas plásticas, láminas o partes pequeñas. ¡Estos objetos pueden ser tragados y causar asfixia!

⚠ ¡ADVERTENCIA! No inserte la batería hasta que el ensamblado del producto haya sido completado. El incumplimiento de esta advertencia puede resultar en un encendido accidental que cause lesiones personales severas.

Operación de la batería

El limpiador motorizado es alimentado por una batería de iones de litio. La batería está completamente sellada y no requiere de mantenimiento.





SOLO HERRAMIENTA BATERÍA Y CARGADOR DE VENTA POR SEPARADO

Para operar este limpiador de patios inalámbrico usted necesitará una batería y un cargador del sistema iON+ de 24 V. Vea la página 37 para las opciones y especificaciones de batería y cargador, o visite sunjoe.com.

Indicador de nivel de carga de batería

La batería tiene un botón para comprobar su nivel de carga. Simplemente presione el botón para leer el nivel de carga de la batería en los LED indicadores de la batería:

- **Los tres LED indicadores de nivel están encendidos:** el nivel de carga de la batería es elevado.
- **Dos LED indicadores de nivel están encendidos:** el nivel de carga de la batería está disminuyendo. Deje de trabajar tan pronto como sea posible.
- **Un LED indicador de nivel está encendido:** el nivel de carga de la batería está bajo. Deje de trabajar INMEDIATAMENTE y cargue la batería, de otro modo, la vida útil de la batería se reducirá en gran medida.

Luces	Significado
	Botón de nivel de carga.
	La batería está cargada a un 30% y requiere ser cargada de inmediato.
	La batería está cargada a un 60% y requiere ser cargada pronto.
	La batería está cargada por completo.

NOTA: si el botón de nivel de carga no parece funcionar, conecte la batería al cargador y cargue según se requiera.

NOTA: inmediatamente luego del uso de la batería, el botón de nivel de carga puede mostrar una carga más baja que la que se mostrará algunos minutos después. Las celdas de las baterías “recuperan” parte de su carga luego de permanecer inactivas.

Operación del cargador

⚠ ¡ADVERTENCIA! Cargue la batería de iones de litio iON+ de 24 V solo con su cargador de batería de iones de litio compatible iON+ de 24 V. Otros tipos de baterías pueden causar lesiones personales y daños materiales.

Para reducir el riesgo de un choque eléctrico, no permita que entre agua a la conexión CA/CC del cargador.

SOLO HERRAMIENTA

BATERÍA Y CARGADOR DE VENTA POR SEPARADO

Para operar este limpiador de patios inalámbrico usted necesitará una batería y un cargador del sistema iON+ de 24 V. Vea la página 37 para las opciones y especificaciones de batería y cargador, o visite sunjoe.com.

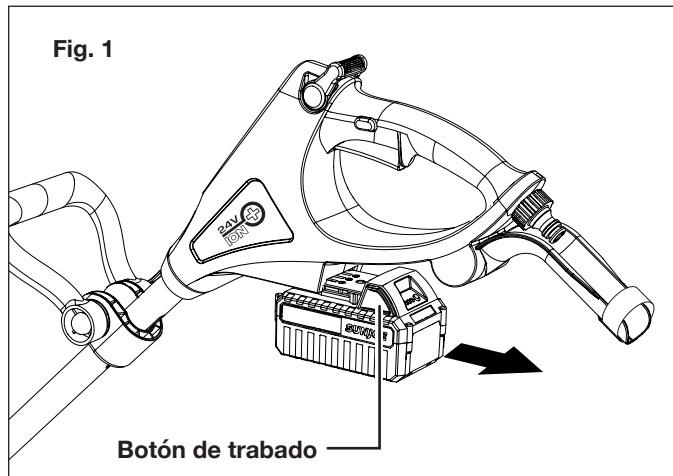
Cuándo cargar la batería de iones de litio iON+ de 24 V

NOTA: la batería de iones de litio iON+ de 24 V no crea una “memoria” al ser cargada luego de una descarga parcial, por lo tanto no hay necesidad de agotar la batería antes de insertar el conector del cargador.

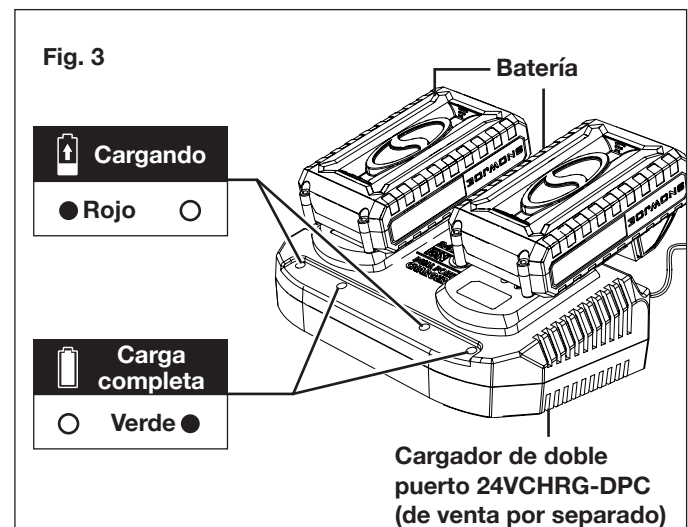
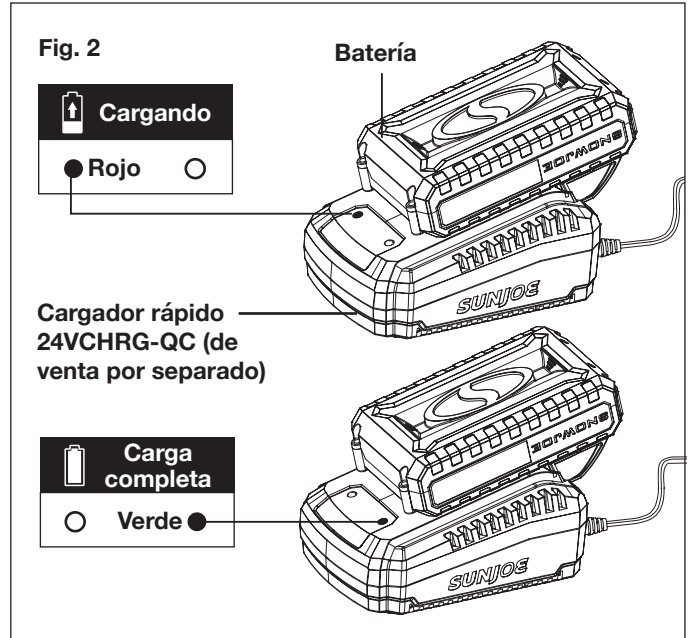
- Use las luces indicadoras de carga de batería para determinar cuándo cargar su batería de iones de litio iON+ de 24 V.
- Usted puede cargar por completo su batería antes de empezar un trabajo grande o luego de un uso prolongado.

Carga de la batería

1. Presione los botones de traba en la batería para sacar la batería fuera de su compartimiento (Fig. 1).



2. El método para cargar sus baterías de iones de litio variará dependiendo del modelo de su cargador Snow Joe® + Sun Joe®. Usted puede insertar sus baterías de 24 V en el cargador rápido 24VCHRG-QC (de venta por separado) o en el cargador de doble puerto 24VCHRG-DPC (de venta por separado) (Figs. 2 y 3).



3. Las luces LED indicadoras de la batería se iluminarán una a una durante el proceso de carga. Desconecte el cargador inmediatamente cuando las tres luces LED estén iluminadas.
4. El cargador rápido 24VCHRG-QC (de venta por separado) y el cargador de doble puerto 24VCHRG-DPC (de venta por separado) están también equipados con luces que indican el estado de carga (Figs. 2 y 3).

⚠ ¡PRECAUCIÓN! PELIGRO DE INCENDIO. Al desconectar el cargador de la batería, asegúrese de desenchufar primero el cargador del tomacorriente, y luego desconectar el cargador de la batería.

⚠ ¡ADVERTENCIA! Este cargador no se apaga de forma automática cuando la batería está completamente cargada. Tenga cuidado de no dejar la batería conectada al cargador. Apague o desenchufe el cargador del tomacorriente cuando la carga haya sido completada.

- Una recarga oportuna de la batería ayudará a prolongar su vida útil. Usted debe recargar la batería cuando note una caída en la potencia del equipo.

¡IMPORTANTE! Nunca permita que la batería se descargue por completo ya que esto causará un daño irreversible a la batería.

- Cuando se haya completado la carga, retire la batería del cargador presionando sus botones de trabado y deslizando la batería hacia atrás para destrabarla del cargador.

Ensamblado

⚠ ¡ADVERTENCIA! Para evitar lesiones personales severas, lea y entienda todas las instrucciones de seguridad proporcionadas.

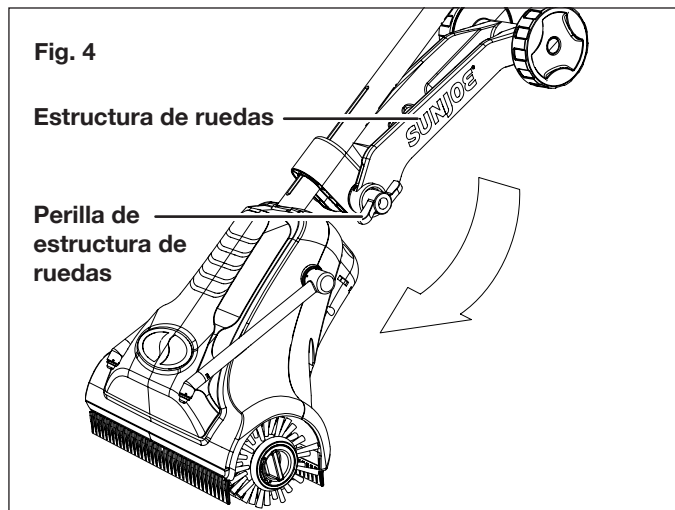
⚠ ¡ADVERTENCIA! No inserte la batería hasta que el ensamblado haya sido completado. El incumplimiento de esta advertencia puede resultar en un encendido accidental que cause lesiones personales severas.

⚠ ¡ADVERTENCIA! Antes de realizar cualquier tarea de mantenimiento, asegúrese de que la batería haya sido retirada de la máquina. No seguir esta advertencia puede causar lesiones personales severas.

Ajuste de la estructura de ruedas

NOTA: el limpiador de patios inalámbrico viene con la estructura de ruedas en posición de almacenamiento. Siga las instrucciones a continuación para colocar la estructura de ruedas en la posición de operación.

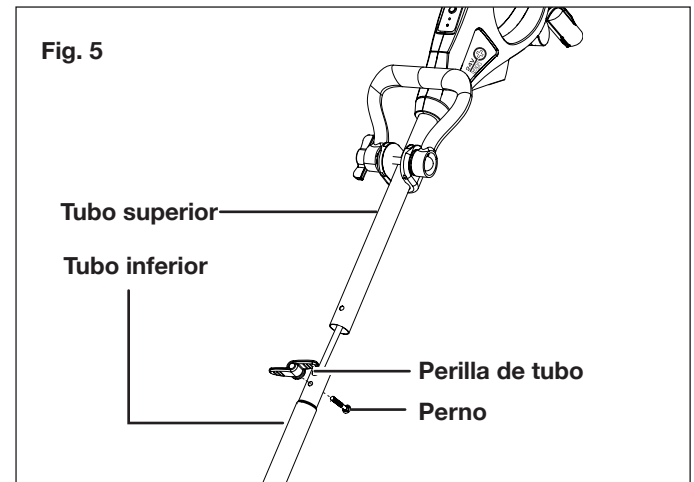
- Afloje la perilla de estructura de ruedas, y rote la estructura a una posición confortable. Gire la perilla de estructura de ruedas para trazarla (Fig. 4).



Ensamblado de tubos

- Deslice el tubo superior dentro del ensamblado del tubo inferior. Alinee los orificios de los tornillos (Fig. 5).

NOTA: Al conectar los tubos superior e inferior, asegúrese de no torcer la manguera dentro. Una manguera torcida hará que el flujo de agua se detenga. Si el agua no fluye de las boquillas, retire la perilla y perno de tubo, y mueva un poco el tubo superior hasta que el agua fluya. Reinstale la perilla y perno.

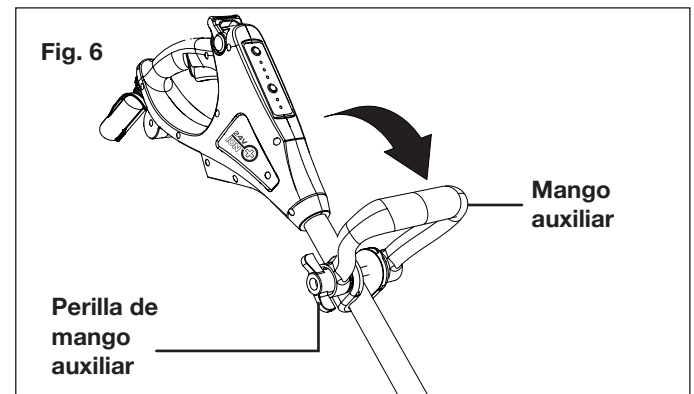


- Inserte el perno desde la parte trasera del tubo a través de los orificios alineados, y asegure el extremo frontal con la perilla (Fig. 5).

NOTA: usted puede tener que mover cuidadosamente el cableado dentro del tubo a un costado si este bloquea la ruta del perno.

- Afloje la perilla de mango auxiliar y mueva el mango auxiliar a una posición de trabajo cómoda. Trabe la perilla de mango auxiliar de forma segura (Fig. 6).

NOTA: el mango auxiliar puede ser ajustado a 7 ángulos, en incrementos de 30°. Seleccione la posición óptima en base a la necesidad del proyecto.



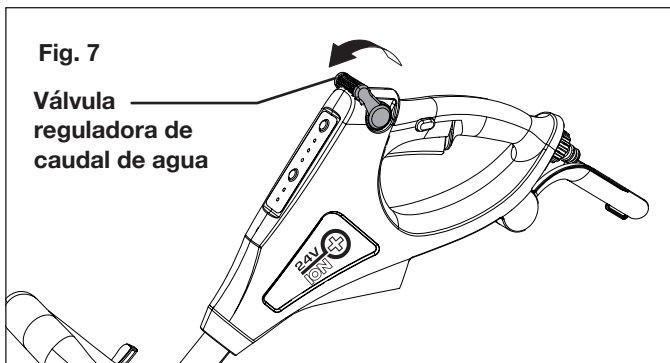
Conexión a la fuente de agua

El limpiador de patio puede ser conectado a un grifo mediante una manguera de jardín regular con el adaptador de manguera de jardín incluido. Siga las instrucciones a continuación para una conexión segura.

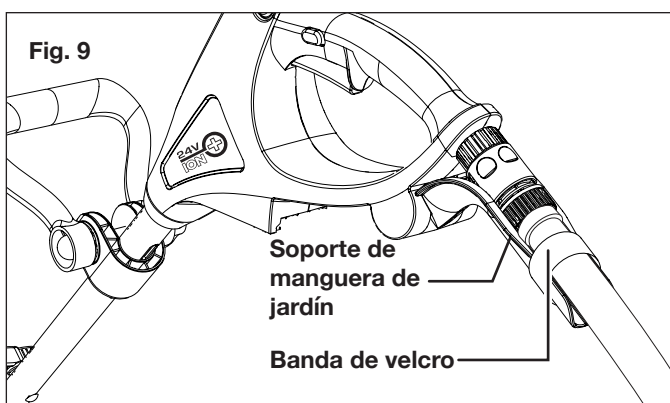
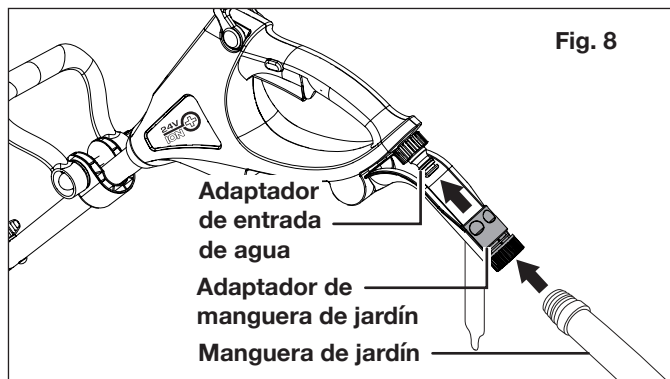
⚠ ¡ADVERTENCIA! El limpiador de patios inalámbrico solo debe ser usado con agua limpia. El uso de agua sin filtrar, conteniendo químicos corrosivos, dañará el limpiador de patios inalámbrico.

⚠ ¡ADVERTENCIA! La temperatura del agua entrante no debe exceder los 95°F (35°C).

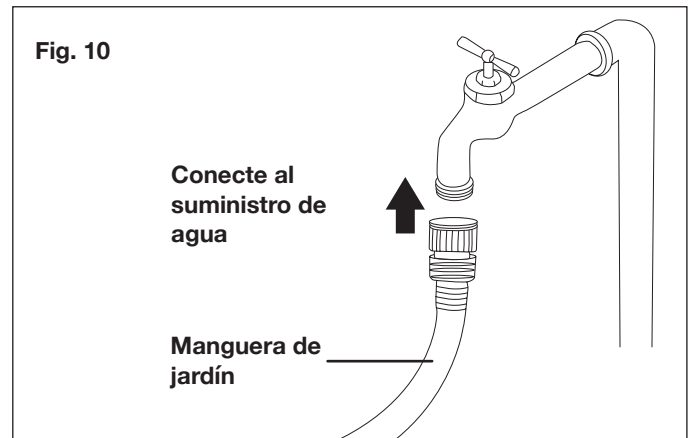
1. Antes de conectar la unidad a la fuente de agua, asegúrese de que la válvula reguladora de caudal de agua esté ajustada a la configuración mínima (Fig. 7).



2. Primero, conecte el limpiador de patios inalámbrico al adaptador de manguera de jardín incluido. Jale el collar del adaptador de manguera de jardín y conéctelo al adaptador de entrada de agua. Suelte el collar para trabar el adaptador en su lugar. Luego, conecte la manguera de jardín al adaptador de manguera de jardín. Enrosque y apriete para asegurar (Fig. 8). Pose la manguera de jardín sobre el soporte de manguera y use la banda de velcro conectada al soporte para fijar la manguera en su lugar (Fig. 9).



3. Conecte el otro extremo de la manguera de jardín al suministro de agua (Fig. 10).

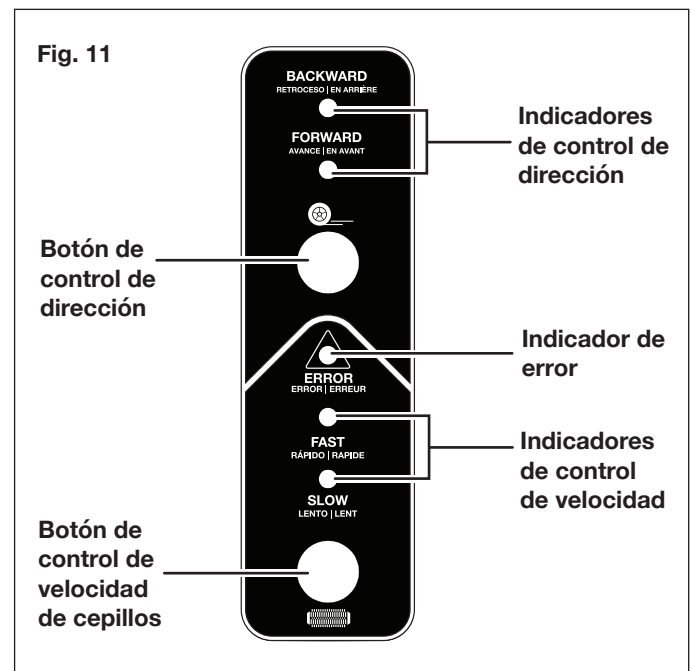


⚠ ¡ADVERTENCIA! Mantenga la manguera alejada de objetos afilados. Una manguera que reviente puede causar lesiones personales. Examine las mangueras regularmente y reemplácelas si están dañadas. No intente reparar una manguera dañada.

⚠ ¡ADVERTENCIA! El agua que ha fluído a través de válvulas contra-reflujo se considera no potable.

Operación

Panel de control (Fig. 11)



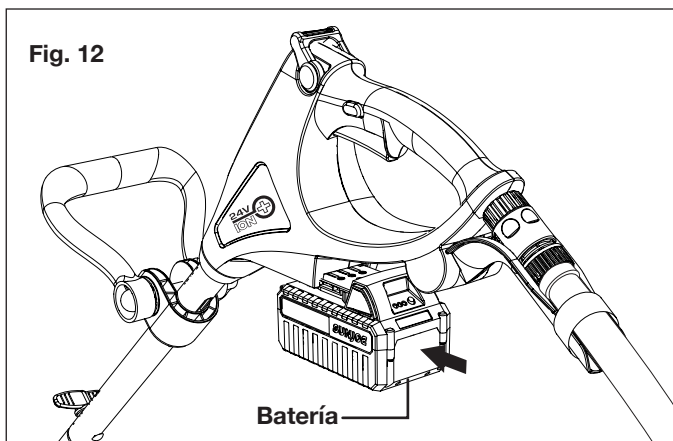
1. **Control de dirección:** use el botón de control de dirección y los indicadores para hacer que el artefacto se mueva hacia adelante o hacia atrás. El artefacto está configurado de forma predeterminada para moverse hacia adelante. Presione el botón, el indicador de retroceso se encenderá y la unidad se moverá hacia

atrás. Presione el botón nuevamente, el indicador de avance se encenderá y la unidad se moverá hacia adelante.

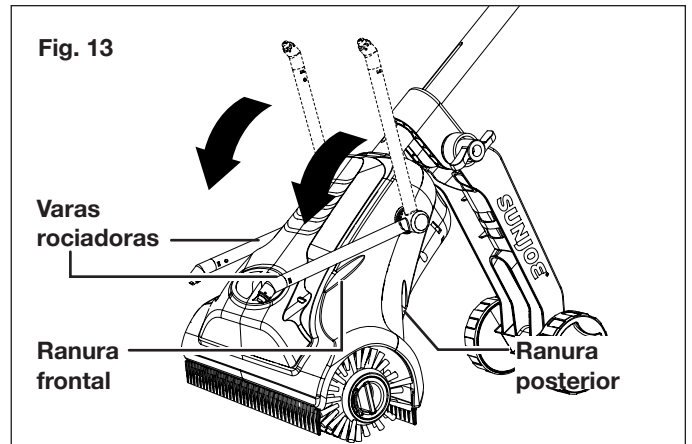
- 2. Control de velocidad de cepillos:** la velocidad de rotación de cepillos puede ser configurada a dos modos, modo lento de 800 RPM (para superficies suaves), y modo rápido de 1,000 RPM (para superficies ásperas). El artefacto está configurado de forma predeterminada en el modo rápido. Presione el botón de control de velocidad; el indicador de modo lento se iluminará y el artefacto funcionará en modo lento. Presione el botón de control de velocidad nuevamente para pasar a velocidad rápida.
- 3. Indicador de error:** el indicador de error parpadeará en rojo indicando una sobrecorriente, y el artefacto se apagará de forma automática.

Encendido del limpiador

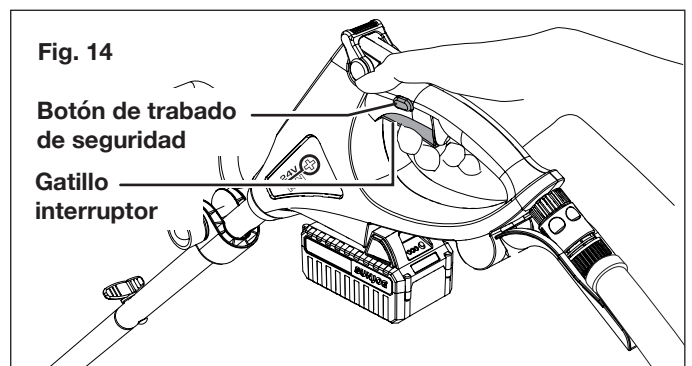
1. Asegúrese de que el limpiador de patios inalámbrico esté conectado a una fuente apropiada de agua. Deslice la batería dentro de su compartimiento hasta que haga "clic" y esté trabada en su posición (Fig. 12).



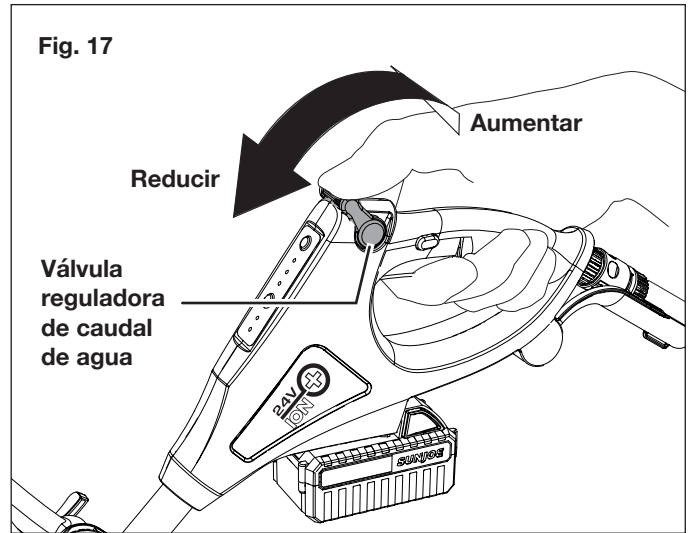
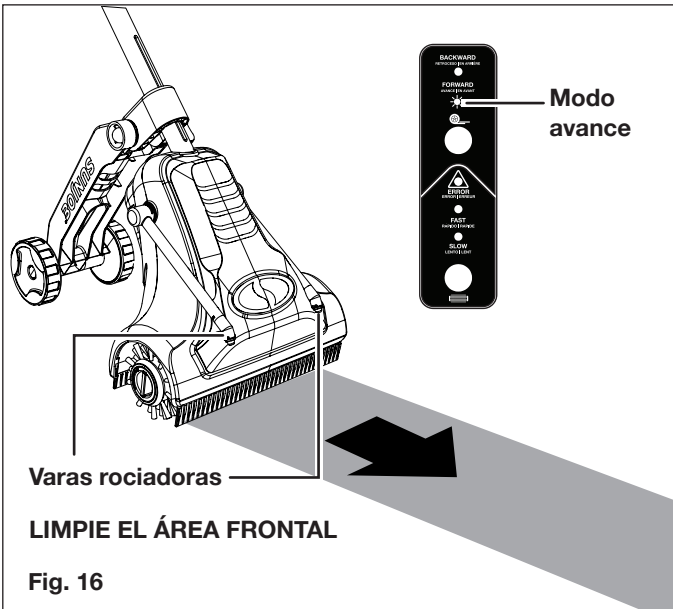
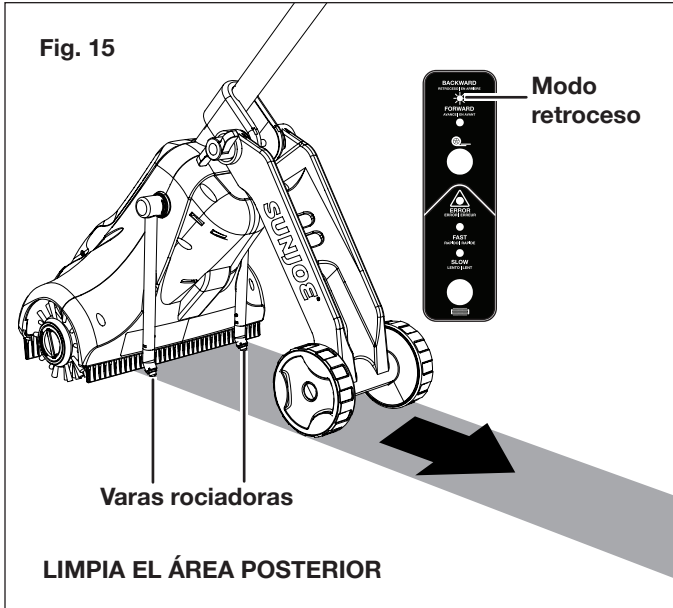
2. Abra por completo la llave de agua.
3. Determine la dirección en la que desee limpiar y ajuste las varas rociadoras como corresponda. Rote las varas rociadoras hacia la parte trasera de la máquina para limpiar el área trasera. Rote las varas rociadoras hacia la parte frontal de la máquina para limpiar el área frontal. Descanse las varas rociadoras en las ranuras ubicadas en las partes frontal y trasera de la máquina (Fig. 13).



4. Asegúrese de que la válvula reguladora de caudal de agua esté en la posición de flujo mínimo (al frente). Presione el botón de trabado de seguridad y al mismo tiempo apriete el gatillo interruptor. Una vez que la herramienta esté funcionando, suelte el botón de trabado de seguridad (Fig. 14).



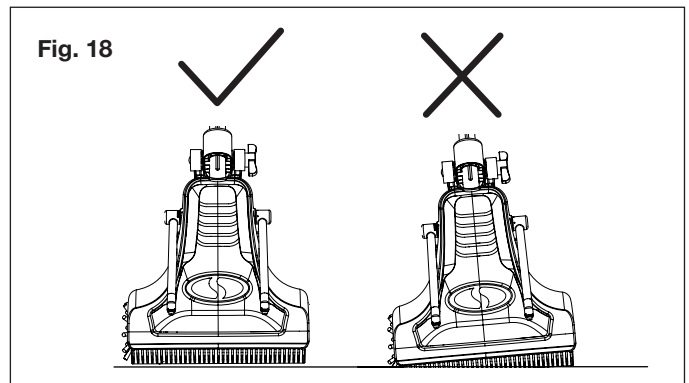
5. Use el panel de control para establecer al artefacto en la dirección y velocidad de cepillos deseadas. Si el área trasera necesita ser limpiada, establezca el artefacto en modo retroceso (Fig. 15). Si el área frontal necesita ser limpiada, establezca el artefacto en modo avance (Fig. 16). Asegúrese de que las varas rociadoras estén posicionadas correctamente.



Procedimiento básico de limpieza

El dispositivo ha sido diseñado para retirar suciedad y mugre de superficies exteriores. El dispositivo es adecuado para superficies de madera, piedra o material compuesto (compuesto plástico de madera o WPC). No use el dispositivo para limpiar áreas con plantas tales como césped o camas de flores.

1. Antes de limpiar, retire todos los elementos sueltos de la superficie.
2. Antes de encender la unidad, posicónela de manera que los cepillos estén colocados de forma pareja en la superficie a ser limpiada (Fig. 18).



6. Abra la válvula reguladora de caudal de agua y establezca el agua a un flujo adecuado para la tarea. Ajuste el caudal de agua durante la operación según sea necesario. Empuje la válvula hacia adelante para reducir el caudal de agua, y jale la válvula hacia atrás para incrementar el caudal de agua (Fig. 17).

3. Encienda el artefacto y ajuste el caudal de agua según se necesite. Guíe los cepillos por sobre la superficie aplicando una ligera presión.
4. Si usted necesita cambiar la velocidad de los cepillos o la dirección de limpieza durante la operación, asegúrese de cerrar el caudal de agua completamente empujando la válvula reguladora de flujo hacia adelante para detener el flujo antes de hacer el cambio.

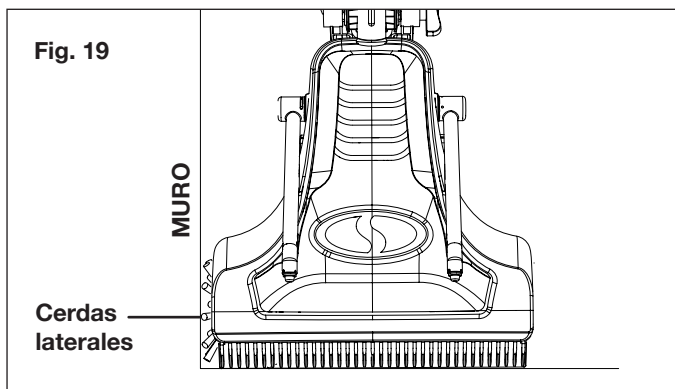
NOTA: una vez que el artefacto se haya apagado y su batería se haya retirado, volverá a la configuración predeterminada de velocidad de cepillos rápida y dirección hacia adelante.

- Al limpiar superficies delicadas tales como madera, se recomienda probar el dispositivo en un área oculta. Durante la limpieza no permita que el artefacto permanezca en una misma área por un periodo prolongado de tiempo. Manténgalo en movimiento.

NOTA: siempre limpie las superficies de madera siguiendo la dirección de la fibra. Siempre limpie a lo largo de los paneles de pisos o elementos de madera y pendiente abajo.

NOTA: si la madera ha sido pre-tratada, el pre-tratamiento puede ser retirado y causar un aspecto disparejo.

- El cepillo giratorio está equipado con cerdas laterales para limpiar la parte inferior de paredes y escalones. Camine lentamente a lo largo de la pared y guíe las cerdas laterales sobre el área a ser limpiada (Fig. 19).



Apagado

- Empuje la válvula reguladora de caudal de agua hacia adelante para detener el caudal de agua. Suelte el gatillo. Retire la batería.
- Cierre la llave de suministro de agua. Desconecte la conexión de manguera del limpiador de patios inalámbrico.
- Antes de almacenar el artefacto, drene el agua restante. Mueva la válvula reguladora de caudal de agua para abrir el flujo por completo. Mantenga el dispositivo en posición recta de pie por un rato. El agua restante se drenará de las boquillas.

NOTA: un artefacto no drenado del todo puede ser dañado por congelación.

¡ADVERTENCIA! No golpee la carcasa contra el piso para drenar el agua restante.

Almacenamiento

¡PRECAUCIÓN! Guarde siempre su limpiador de patios inalámbrico en un lugar libre de congelación, donde la temperatura no descienda a menos de 32°F (0°C). **EL DAÑO POR CONGELACIÓN NO ESTÁ CUBIERTO POR LA GARANTÍA.**

- Guarde el limpiador motorizado portátil en interiores, en un lugar seco y cubierto, donde el clima no pueda dañarlo.
- Siempre vacíe el agua de todas las mangueras, accesorios y bomba antes de guardar el producto.

Mantenimiento

Para ordenar partes de repuesto o accesorios genuinos de su limpiador de patios inalámbrico 24V-PSC-CT de Sun Joe®, visite sunjoe.com o comuníquese con la central de servicio al cliente Snow Joe® + Sun Joe® llamando al 1-866-SNOWJOE (1-866-766-9563).

¡PRECAUCIÓN! Antes de trabajar en el limpiador de patios inalámbrico, retire la batería de su compartimento.

Limpieza

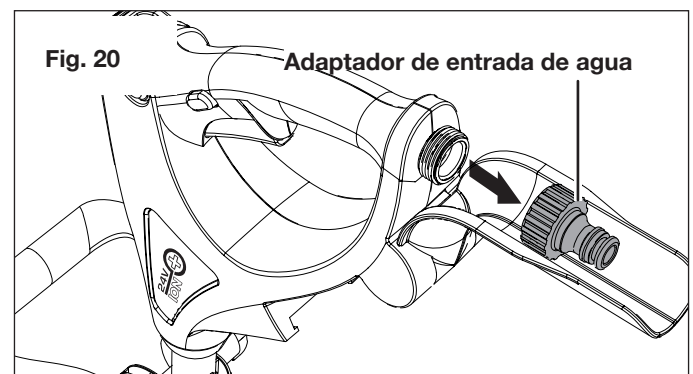
¡ADVERTENCIA! Para evitar lesiones personales severas, siempre apague la unidad y retire la batería antes de limpiarla o repararla.

- Use un paño húmedo para limpiar el exterior de la unidad. No use detergentes fuertes, limpiadores caseros que contengan aceites aromáticos (p. ej., pino o limón) o solventes agresivos tales como kerosene ya que estas sustancias pueden dañar la carcasa plástica o los mangos. No use una manguera o hidrolavadora para limpiar el artefacto.
- Retire la suciedad, residuos o arena/piedra de los cepillos. De ser necesario, retire los cepillos y límpielos bajo agua corriente. Vea las instrucciones en la página 35, en la sección "limpieza y reemplazo de cepillos" para desarmar los cepillos.

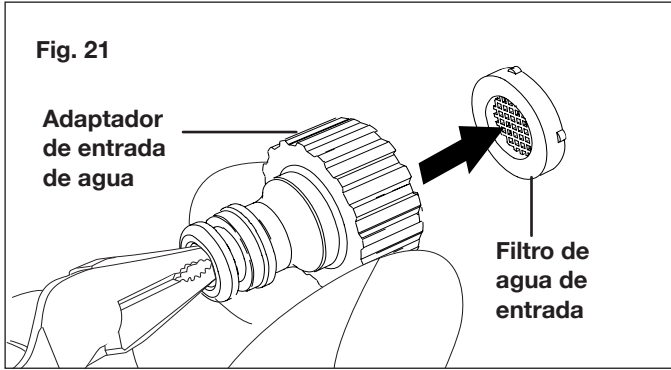
Limpie el filtro de agua de entrada.

Para garantizar un buen rendimiento, inspeccione y limpie el filtro de entrada de agua en el adaptador de entrada de agua.

- Gire el adaptador de entrada de agua en sentido antihorario y retírelo de la entrada de agua (Fig. 20).



- Inserte un alicate en el extremo más pequeño del adaptador para sacar el filtro de entrada de agua, tal como se muestra (Fig. 21).

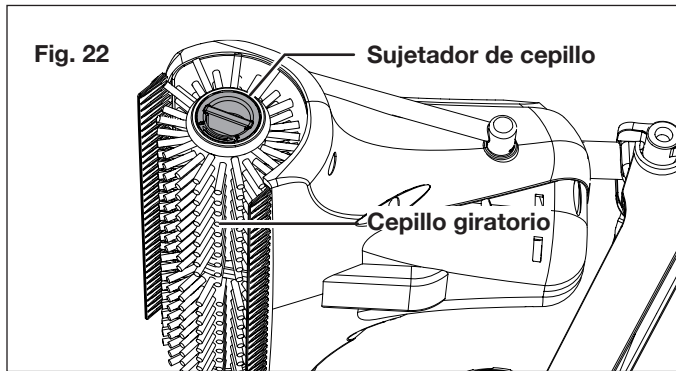


3. Enjuague todos los componentes con agua tibia, incluyendo el filtro de entrada de agua, el adaptador de entrada de agua y el adaptador de manguera de jardín para evitar que material extraño obstruya al artefacto.

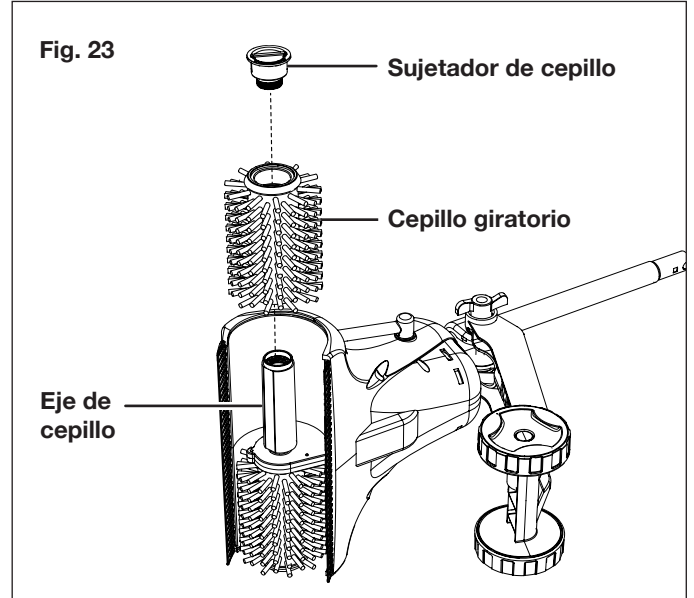
Limpieza y reemplazo de cepillos

IMPORTANTE: use solo partes de repuesto originales especificadas para este artefacto. El uso de partes que no cumplan con las especificaciones del equipo original puede provocar un funcionamiento incorrecto del limpiador de patios inalámbrico y comprometer la seguridad del operador.

1. Apague el artefacto y retire la batería de su compartimiento.
2. Ponga el artefacto a un costado de manera que el sujetador de cepillo esté hacia arriba. Gire el sujetador de cepillo en sentido antihorario para destrabar el cepillo (Fig. 22).

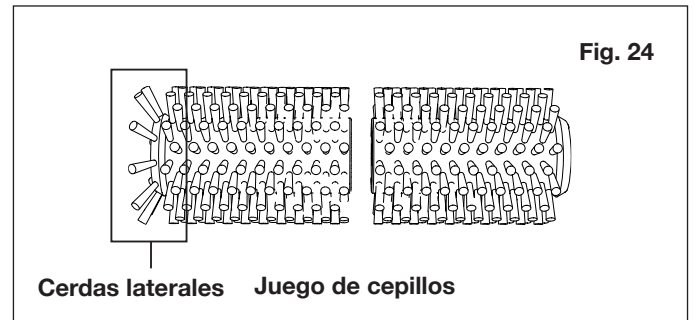


3. Retire el cepillo y el sujetador de cepillo (Fig. 23).

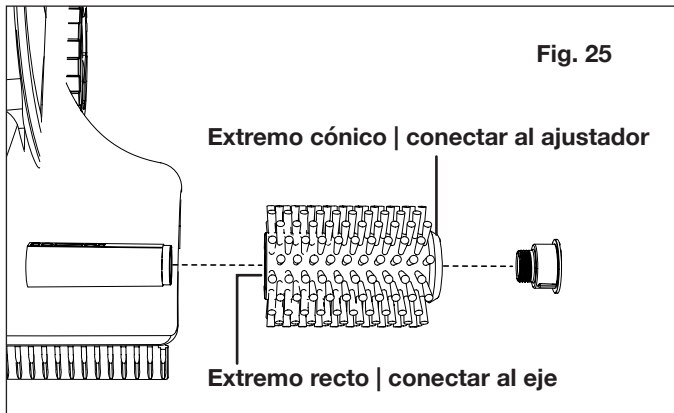


4. Repita los pasos anteriores para retirar el cepillo y el sujetador de cepillo en el otro lado.
5. Limpie los cepillos y los sujetadores de cepillos bajo agua corriente. Si los cepillos están gastados, reemplácelos con un nuevo juego de cepillos.

NOTA: un juego de cepillos contiene dos cepillos rotatorios, que son diferentes. Uno de los cepillos giratorios está equipado con cerdas laterales para limpiar paredes u otras superficies verticales (Fig. 24). El cepillo giratorio con cerdas laterales puede ser ensamblado en el lado izquierdo o derecho, según sea necesario.



NOTA: al reemplazar los cepillos, preste atención a la dirección de cada cepillo. El extremo cónico debe siempre encarar hacia afuera y estar conectado al sujetador (Fig. 25).



Eliminación

Reciclaje del limpiador motorizado portátil

- No se deshaga de artefactos como si fueran residuos urbanos sin clasificar. Use instalaciones de recolección aparte.
- Contacte a su agencia gubernamental local para obtener información sobre los sistemas de recolección disponibles.
- Si los artefactos son desechados en rellenos sanitarios o basureros, las sustancias peligrosas pueden contaminar el agua subterránea y entrar en la cadena alimentaria, dañando su salud y bienestar.
- Al reemplazar artefactos viejos con nuevos, el vendedor está obligado legalmente a aceptar su artefacto antiguo para su eliminación, sin costo alguno por parte de usted.

Reciclaje y eliminación

El producto viene en un empaquetado que lo protege contra daños durante el transporte. Conserve el empaquetado hasta que usted esté seguro de que todas las partes hayan venido en este y que el producto esté funcionando adecuadamente. Luego, recicle el empaquetado o consérvelo para un almacenamiento a largo plazo.

Precaución y eliminación de la batería

Deshágase de su batería de acuerdo con los reglamentos federales, estatales y locales. Para encontrar lugares de reciclaje, comuníquese con un servicio de reciclaje en su localidad.

⚠ ¡PRECAUCIÓN! Incluso las baterías descargadas contienen algo de energía. Antes de deshacerse de estas, use cinta aislante para cubrir los terminales y evitar que la batería haga cortocircuito, lo cual puede causar una explosión o incendio.

⚠ ¡ADVERTENCIA! Para reducir el riesgo de lesiones personales o explosión, nunca quemé ni incinere una batería incluso si está dañada, inservible o completamente descargada. Al ser quemada, los humos y materiales tóxicos son lanzados a la atmósfera circundante.

1. Las baterías varían de acuerdo al dispositivo. Consulte su manual para obtener la información específica.
2. Instale solo nuevas baterías del mismo tipo en su producto (donde corresponda).
3. No insertar las baterías con la polaridad correcta, tal como se indica en el compartimiento de la batería o en el manual, puede reducir el ciclo de vida útil de las baterías o causar fugas en estas.
4. No combine baterías nuevas con antiguas.
5. No combine baterías alcalinas, estándar (de zinc-carbono) o recargables (de níquel-cadmio, de níquel-hidruro metálico o de iones de litio).
6. No arroje las baterías al fuego.
7. Las baterías deben ser recicladas o desechadas según los reglamentos locales y estatales.

Servicio y soporte

Si su limpiador de patios inalámbrico 24V-PSC-CT de Sun Joe® requiere servicio o mantenimiento, comuníquese con la central de servicio al cliente Snow Joe® + Sun Joe® llamando al 1-866-SNOWJOE (1-866-766-9563).

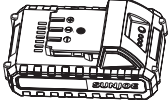
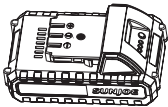

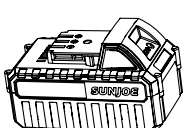

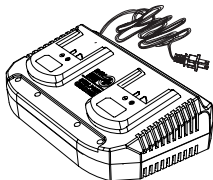
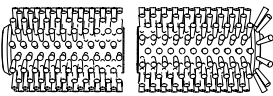
Modelo y número de serie

Al comunicarse con la empresa, ordenar partes de repuesto o programar una reparación en un centro autorizado, usted necesitará proporcionar el modelo y número de serie, los cuales se encuentran en la etiqueta ubicada en la carcasa de la unidad. Copie estos números en el espacio proporcionado a continuación.

Registre los siguientes números que se encuentran en la carcasa o mango de su nuevo producto:														
Modelo:														
2	4	V	-	P	S	C	-	C	T					
Nº de serie:														

Accesorios opcionales

⚠ ¡ADVERTENCIA! USE SIEMPRE solo partes de repuesto y accesorios Snow Joe® + Sun Joe®. NUNCA use partes de repuesto o accesorios que no estén destinados para su uso con este limpiador de patios inalámbrico. Comuníquese con la central de servicio al cliente de Snow Joe® + Sun Joe® si tiene dudas sobre si es seguro usar una parte de repuesto o accesorio en particular con su limpiador de patios inalámbrico. El uso de cualquier otro accesorio o parte puede ser peligroso y causar lesiones personales o daños mecánicos.

Accesorio	Descripción	Modelo
<p>1</p> 	Batería de iones de litio iON+ de 24 V y 2.0 Ah	24VBAT-LTE
<p>2</p> 	Batería de iones de litio iON+ de 24 V y 2.5 Ah	24VBAT-LT
<p>3</p> 	Batería de iones de litio iON+ de 24 V y 4.0 Ah	24VBAT
<p>4</p> 	Batería de iones de litio iON+ de 24 V y 5.0 Ah	24VBAT-XR
<p>5</p> 	Cargador rápido de batería de iones de litio iON+ de 24 V	24VCHRG-QC
<p>6</p> 	Cargador de doble puerto para baterías de iones de litio iON+ de 24 V	24VCHRG-DPC
<p>7</p> 	Juego de cepillos de repuesto	24V-PSC-BRUSH

NOTA: los accesorios están sujetos a cambios sin obligación alguna por parte de Snow Joe® + Sun Joe® de notificar sobre dichos cambios. Los accesorios pueden ser pedidos en línea en sunjoe.com o vía telefónica llamando a la central de servicio al cliente Snow Joe® + Sun Joe® al 1-866-SNOWJOE (1-866-766-9563).



LA PROMESA DE SNOW JOE® + SUN JOE® AL CLIENTE

POR SOBRE TODO, en Snow Joe, LLC (“Snow Joe”) estamos dedicados a usted, nuestro cliente. Nos esforzamos por hacer que su experiencia sea lo más placentera posible. Desafortunadamente, hay veces en que un producto Snow Joe®, Sun Joe®, o Aqua Joe® (el “Producto”) no funciona o sufre un desperfecto bajo condiciones normales de operación. Creemos que es importante que usted sepa que puede confiar en nosotros. Es por eso que tenemos esta Garantía Limitada (la “Garantía”) para nuestros Productos.

NUESTRA GARANTÍA:

Snow Joe garantiza que sus Productos motorizados y no motorizados, nuevos y genuinos, están libres de defectos materiales o de mano de obra al ser usados en tareas domésticas normales durante un periodo de dos (2) años a partir de la fecha de compra por parte del comprador original y usuario final, cuando este último los compra a través de Snow Joe o un vendedor autorizado por Snow Joe y ha obtenido un comprobante de compra. Ya que Snow Joe no puede controlar la calidad de sus Productos vendidos por vendedores no autorizados, a menos que la ley lo prohíba esta Garantía no cubre Productos adquiridos a través de vendedores no autorizados. Si su Producto no funciona, o hay un problema con una parte específica que está cubierta por los términos de esta Garantía, Snow Joe elegirá entre: (1) enviarle una parte de repuesto gratuita; (2) reemplazar el Producto con uno nuevo o similar sin costo alguno; o (3) reparar el Producto. ¡Un excelente soporte!

Esta Garantía le da derechos legales específicos, y usted puede también tener otros derechos según el Estado.

REGISTRO DEL PRODUCTO:

Snow Joe le recomienda enfáticamente registrar su Producto. Usted puede registrar su Producto en línea visitando snowjoe.com/register, imprimiendo y enviando por correo una tarjeta de registro disponible en línea en nuestro sitio Web, llamando a nuestra central de servicio al cliente al **1-866-SNOWJOE (1-866-766-9563)**, o enviándonos un e-mail a help@snowjoe.com. Si usted no registra su Producto sus derechos de garantía no disminuirán; sin embargo, registrar su Producto permitirá que Snow Joe le pueda atender mejor si usted tiene alguna necesidad como cliente.

¿QUIÉN PUEDE SOLICITAR COBERTURA DE GARANTÍA LIMITADA?

Esta Garantía es otorgada por Snow Joe al comprador original y propietario original del Producto.

¿QUÉ NO ESTÁ CUBIERTO?

Esta Garantía no se aplica si el Producto ha sido usado de forma comercial o en aplicaciones no domésticas o de alquiler. Esta Garantía tampoco se aplica si el Producto fue adquirido desde un vendedor no autorizado. Esta garantía tampoco cubre cambios cosméticos que no afecten el funcionamiento del Producto. Las partes desgastables como correas, brocas y cuchillas no están cubiertas por esta Garantía, y pueden ser compradas visitando snowjoe.com o llamando al **1-866-SNOWJOE (1-866-766-9563)**.



NETTOYEUR DE TERRASSE SANS CORDON – OUTIL SEUL

24 V MAX.* | 30,5 cm

MANUEL D'UTILISATION

Une division de Snow Joe®, LLC

Modèle 24V-PSC-CT

Formulaire n° SJ-24V-PSC-CT-880F-MR1

IMPORTANT!

Consignes de sécurité

Tous les utilisateurs doivent lire ces instructions avant d'utiliser la machine

⚠️ AVERTISSEMENT! Ceci indique une situation dangereuse qui, en l'absence de précautions, pourrait entraîner des blessures graves ou même fatales.

⚠️ MISE EN GARDE! Ceci indique une situation dangereuse qui, en l'absence de précautions, pourrait entraîner des blessures mineures ou modérément graves.

⚠️ DANGER! Ceci indique une situation dangereuse qui, en l'absence de précautions, entraînera des blessures graves ou même fatales.

Sécurité générale

⚠️ AVERTISSEMENT! Cette machine n'est pas destinée à être utilisée par des enfants ou par des personnes qui ne sont ni assistées ni supervisées et dont les capacités physiques, sensorielles ou mentales les empêchent de l'utiliser sans danger. Les enfants doivent toujours être supervisés pour s'assurer qu'ils ne jouent pas avec la machine.

Avant de démarrer votre machine, veuillez l'inspecter soigneusement pour vérifier si elle présente d'éventuels défauts. En cas de constatation d'un défaut, ne mettez pas en marche pas la machine. Communiquez avec un revendeur Snow Joe® + Sun Joe® agréé ou appelez le service clientèle Snow Joe® + Sun Joe® au 1-866-SNOWJOE (1-866-766-9563).

⚠️ AVERTISSEMENT! Lors de l'utilisation du nettoyeur de terrasse, les précautions de sécurité élémentaires doivent toujours être suivies afin de réduire le risque d'incendie, de secousse électrique ou de dommages corporels. Il s'agit des précautions suivantes :

- Évitez les endroits dangereux.
- N'utilisez pas la machine sous la pluie.

- **Ne pas forcer la machine** - Elle exécutera le travail efficacement et en risquant moins de provoquer des blessures si elle est utilisée au régime pour lequel elle a été conçue.
- **Ranger la machine à l'intérieur si elle n'est pas utilisée** - Si vous ne l'utilisez pas, le nettoyeur doit être remis à l'intérieur dans un endroit sec, surélevé et sous clé, hors de portée des enfants.
- **Apprendre à bien connaître la machine** - Sachez comment arrêter rapidement la machine. Familiarisez-vous complètement avec les commandes.
- **Maintenir les spectateurs à bonne distance** - Tous les visiteurs et les animaux familiers doivent être maintenus à bonne distance de la zone de travail.
- **Utiliser la bonne machine** - N'utilisez pas cette machine pour des travaux différents de ceux auxquels elle est destinée.
- **S'habiller en conséquence** - Ne portez ni vêtements amples ni bijoux. Ils peuvent être happés par les pièces mobiles. Il est recommandé de porter des gants de protection en caoutchouc et des chaussures à semelle antidérapante pour tout travail à l'extérieur.
- **⚠️ MISE EN GARDE!** - Faire très attention pour éviter de glisser ou de tomber. Porter des chaussures de protection pour se protéger les pieds et avoir une meilleure prise sur les revêtements glissants.
- **Rester vigilant** - Surveillez ce que vous faites. Faites preuve de bon sens. N'utilisez pas ce nettoyeur de terrasse si vous êtes fatigué ou si vous avez consommé de l'alcool ou de la drogue.
- **Ne pas s'arc-bouter** - Rester en permanence sur les deux pieds pour ne pas perdre l'équilibre.
- **Prévenir les démarrages accidentels** - Ne transportez pas la machine en ayant le doigt sur la gâchette. Avant d'insérer la batterie, assurez-vous que l'interrupteur est à la position d'arrêt.
- **Retirer la batterie** - Retirez la batterie du nettoyeur de terrasse quand vous ne l'utilisez pas, avant d'intervenir dessus, quand vous changez d'accessoire ou quand vous effectuez toute autre tâche d'entretien.
- **Porter des lunettes de sécurité** - Portez également des chaussures de protection, des vêtements serrés près du corps, des gants de protection, des protecteurs d'oreille et une protection de la tête.
- **Vérifier la température de l'eau** - Ce nettoyeur à pression n'est pas destiné à pomper de l'eau chaude. NE JAMAIS le brancher sur une alimentation en eau dont la température est supérieure à 35 °C).

⚠️ AVERTISSEMENT! Ne pas utiliser la machine sans lire les instructions de ce manuel.

⚠️ AVERTISSEMENT! Ne pas utiliser la machine près d'autres personnes se trouvant dans son rayon d'action, à moins qu'elles portent des vêtements de protection.

⚠️ AVERTISSEMENT! Ne pas diriger le jet vers une personne, un animal familier, du matériel électrique ou la machine elle-même.

- Pour nettoyer des vêtements ou des chaussures, ne dirigez pas le jet contre vous-même ou une autre personne.
- **Risque d'explosion** – Ne pulvérisez pas de liquides inflammables.
- **Maintenir les enfants à bonne distance** – Ce nettoyeur de terrasse sans cordon ne doit pas être utilisé par des enfants ou des personnes inexpérimentées. Une étroite supervision est nécessaire lorsqu'une machine est utilisée à proximité d'enfants.
- Pour assurer la sécurité de la machine, utilisez uniquement des pièces de rechange d'origine du fabricant ou homologuées par le fabricant.

⚠️ AVERTISSEMENT! Pendant son nettoyage, son entretien ou lors du remplacement de pièces, la machine doit être débranchée de sa source d'alimentation électrique en retirant la batterie.

⚠️ AVERTISSEMENT! Les flexibles, raccords et raccordements sont importants pour l'utilisation sans danger de la machine. Utiliser uniquement les flexibles, raccords et coupleurs recommandés par le fabricant.

⚠️ AVERTISSEMENT! Risque de secousse électrique – Avant de démarrer la machine, l'inspecter soigneusement pour vérifier si elle présente d'éventuels défauts. En cas de constatation d'un défaut, ne pas démarrer la machine et communiquer avec le distributeur.

IMPORTANT : ne raccordez pas la machine à une alimentation en eau qui est turbide, boueuse ou corrosive. Non recommandé pour une utilisation avec de l'eau salée; pour un bon entretien, rincez immédiatement à l'eau douce.

- **Vérifier s'il y a des pièces endommagées** – Avant d'utiliser la machine, inspectez-la soigneusement pour vérifier que les dispositifs de protection ou toute autre pièce ne sont pas endommagés et pour vous assurer qu'elle fonctionne correctement pour l'utilisation à laquelle elle est destinée. Vérifiez l'alignement des pièces mobiles, l'absence de grippage des pièces mobiles, de rupture de pièce, le montage et tout autre problème susceptible d'entraver le bon fonctionnement de la machine. Sauf indication contraire figurant ailleurs dans ce manuel, tout dispositif de protection ou toute autre pièce endommagés doivent être réparés ou remplacés par un centre d'entretien et de réparation agréé.

Consignes de sécurité supplémentaires

Consignes de sécurité pour les nettoyeurs de terrasse

- Utilisez la machine uniquement avec de l'eau douce propre et non traitée. La machine ne peut en aucun cas être utilisée avec des substances explosives, corrosives ou inflammables.
- Ne plongez jamais la machine dans un liquide.
- Utilisez uniquement la machine à l'extérieur.
- N'utilisez pas la machine sur des revêtements où il y a déjà de l'eau.
- Avant de vous mettre au travail, assurez-vous que le revêtement à nettoyer est exempt de sable, de pierres ou de débris épars. Ils pourraient voler en éclats pendant le nettoyage ou endommager le revêtement et la machine.
- Ne tirez pas sur le boyau raccordé.
- Allumez la machine uniquement lorsque les brosses sont sur le sol.
- Soyez conscient de l'effet de recul de la machine pendant son utilisation. Lorsqu'on l'allume, la machine recule en direction de l'utilisateur. Tenez fermement la machine et restez bien planté sur les deux pieds.
- Lorsque vous allumez la machine, laissez-la reposer sur le sol et ne la levez pas.
- Toutes les parties sous tension de la zone de travail doivent être protégées contre les éclaboussures d'eau.
- Toutes les parties sous tension de la zone de travail doivent être protégées contre les éclaboussures d'eau. N'utilisez pas la machine à proximité d'autres outils, machines ou appareils branchés sur le secteur.
- Protégez la machine contre le gel et la chaleur excessive. Utilisez et remisez la machine uniquement à température ambiante, soit entre 5 °C et 40 °C.

Sécurité électrique

⚠️ AVERTISSEMENT! Lire en totalité les avertissements de sécurité et les consignes. Le non-respect des avertissements et des consignes de sécurité pourrait être à l'origine d'une secousse électrique, d'un incendie et/ou de graves dommages corporels.

1. Prévenez les démarrages accidentels. Avant d'insérer le bloc-piles, de saisir la machine ou de la transporter, assurez-vous que l'interrupteur est à la position d'arrêt. Le transport de la machine en maintenant le doigt sur l'interrupteur ou sa mise en marche alors que l'interrupteur est ouvert augmente le risque d'accident.
2. Retirer le bloc-piles de la machine avant de procéder à un réglage, de changer d'accessoire ou de le ranger. Ces mesures préventives de sécurité visent à réduire le risque de démarrage accidentel de la machine.

3. Rechargez uniquement à l'aide du chargeur spécifié par le fabricant. Un chargeur qui est adapté pour un type de blocs-piles peut présenter un risque d'incendie lorsqu'il est utilisé avec un autre type de blocs-piles.
4. Utilisez le chargeur uniquement avec le type de blocs-piles spécifiquement indiqué. L'utilisation d'un autre type de blocs-piles peut présenter un risque de blessure et d'incendie.
5. Lorsque vous n'utilisez pas le bloc-piles, rangez-le à l'écart d'autres objets métalliques, par exemple les trombones, pièces de monnaie, clés, clous, vis ou autres petits objets métalliques qui peuvent établir un contact entre les deux bornes. Le court-circuit des bornes d'une batterie peut être à l'origine de brûlures ou d'un incendie.
6. Si le bloc-piles n'est pas adapté, du liquide peut s'en échapper; évitez tout contact. En cas de contact accidentel, rincez abondamment à l'eau. En cas de contact du liquide avec les yeux, consultez un médecin. Le liquide qui s'échappe de la batterie peut causer une irritation ou des brûlures.
7. N'utilisez pas un bloc-piles ou un chargeur endommagé ou modifié. Les batteries endommagées ou modifiées peuvent se comporter de manière imprévisible et provoquer un incendie ou une explosion ou présenter un risque de dommages corporels.
8. N'exposez ni bloc-piles ni chargeur à un feu ou une température excessive. Une exposition à un feu ou une température supérieure à 130 °C peut déclencher une explosion.
9. Suivez toutes les instructions de charge du bloc-piles ou de la machine en veillant à ne jamais procéder à cette opération à une température en dehors de la zone de sécurité spécifiée dans ces instructions. Charger une batterie de façon inappropriée ou à une température en dehors de la zone de sécurité spécifiée peut l'endommager et augmenter le risque d'incendie.
10. Confiez vos réparations à un réparateur qualifié utilisant uniquement des pièces de rechange identiques. C'est à ce prix que la sécurité du produit sera préservée.
11. Ne modifiez pas la machine ou le bloc-piles (le cas échéant) ou n'essayez pas de les réparer, sauf précisions contraires concernant leur utilisation ou leur entretien.

Consignes de sécurité concernant la batterie et le chargeur

REMARQUE : ce produit comprend seulement l'outil. La batterie et le chargeur ne sont pas inclus. Ils doivent être achetés séparément.

Le modèle 24V-PSC-CT est compatible avec les batteries et chargeurs du système iON+ 24V. Pour plus de renseignements, voir la page 58.

Nous avons consacré beaucoup de temps à la conception de chaque bloc-piles afin de nous assurer de vous fournir des batteries qui peuvent être utilisées sans danger, sont robustes et ont une énergie volumique élevée. Les cellules des batteries sont dotées d'un large éventail de dispositifs de sécurité. Chaque cellule individuelle est initialement formatée et ses courbes électriques caractéristiques sont enregistrées. Ces données sont ensuite utilisées exclusivement pour pouvoir assembler les meilleurs blocs-piles possibles.

Malgré toutes ces mesures de précaution, il faut toujours faire preuve de prudence lors de la manipulation de la batterie. Pour utiliser sans danger la batterie, les points suivants doivent être observés en permanence. L'utilisation sans danger peut uniquement être garantie si les cellules sont intactes. Toute manipulation inappropriée d'un bloc-piles peut endommager les cellules.

IMPORTANT! Les analyses confirment que la mauvaise utilisation de batteries à haut rendement et un entretien laissant à désirer sont les principaux facteurs responsables de dommages corporels et/ou matériels.

⚠️ AVERTISSEMENT! Utiliser uniquement des batteries de rechange homologuées. Les autres types de batteries peuvent endommager le nettoyeur de terrasse sans cordon et empêcher son bon fonctionnement, ce qui peut entraîner de graves dommages corporels.

⚠️ AVERTISSEMENT! Ne pas utiliser un bloc-piles ou un chargeur endommagé ou modifié. Les batteries endommagées ou modifiées peuvent se comporter de manière imprévisible et provoquer un incendie ou une explosion ou présenter un risque de dommages corporels.

Ne modifiez pas le chargeur ou le bloc-piles ou n'essayez pas de les réparer, sauf précisions contraires concernant leur utilisation ou leur entretien.

Faites réparer ou entretenir votre bloc-piles par un réparateur qualifié utilisant uniquement des pièces de rechange identiques. C'est à ce prix que la sécurité du bloc-piles sera préservée.

⚠ MISE EN GARDE! Pour réduire le risque de dommages corporels, charger le bloc-piles au lithium-ion iON+ 24V uniquement à l'aide du chargeur au lithium-ion iON+ 24V spécifiquement prévu à cet effet. Les autres types de chargeurs présentent des risques d'incendie et de dommages corporels et matériels. Ne pas brancher le bloc-piles sur le secteur ou sur l'allume-cigare d'une voiture. Le bloc-piles serait définitivement et irrémédiablement endommagé.

- **Évitez les environnements dangereux :** ne chargez pas le bloc-piles sous la pluie, sous la neige ou dans les endroits humides. N'utilisez pas le bloc-piles ou le chargeur lorsque l'atmosphère est explosive (effluents gazeux, poussière ou matières inflammables), des étincelles pouvant se produire lors de l'insertion ou du retrait du bloc-piles, ce qui pourrait provoquer un incendie.

- **Chargez dans un endroit bien ventilé :** ne bloquez pas les orifices de ventilation du chargeur. Dégagez le voisinage immédiat du chargeur pour qu'il soit bien ventilé. Interdisez de fumer et n'autorisez la présence d'aucune flamme nue à proximité d'un bloc-piles se chargeant. Le gaz dispersé dans l'atmosphère peut exploser.

REMARQUE : la zone de température de sécurité pour la batterie se situe entre 5 °C et 40,5 °C. Ne chargez pas la batterie à l'extérieur lorsqu'il gèle, chargez-la à température ambiante.

- **Prenez soin du cordon du chargeur :** lorsque vous débranchez le chargeur, tirez sur la fiche dans la prise et non sur le cordon pour éviter d'endommager la fiche électrique et le cordon. Ne tirez jamais le chargeur par le cordon et ne tirez pas brusquement sur le cordon pour le retirer de la prise. Maintenez le cordon éloigné de la chaleur, de l'huile et des arêtes tranchantes. Pendant l'utilisation du chargeur, assurez-vous que personne ne marche sur le cordon, ne trébuche dessus et qu'il ne peut être ni endommagé ni soumis à des tensions ou des pressions. N'utilisez pas le chargeur si sa fiche ou son cordon est endommagé. Remplacez immédiatement tout chargeur endommagé.

- **N'utilisez pas de rallonge électrique, à moins que cela soit absolument nécessaire :** l'utilisation d'une rallonge électrique mal adaptée, endommagée ou mal branchée présente des risques d'incendie et de secousse électrique. S'il s'avère nécessaire d'utiliser une rallonge électrique, branchez le chargeur dans une rallonge électrique de calibre 16 ou plus gros, la fiche femelle correspondant à la fiche mâle sur le chargeur. Vérifiez que la rallonge électrique est en bon état.

- **Utilisez uniquement des accessoires recommandés :** l'utilisation d'un accessoire non recommandé ou vendu par le fabricant du bloc-piles ou du chargeur peut provoquer un incendie, une secousse électrique ou des dommages corporels.

- **Débranchez tout chargeur non utilisé :** assurez-vous de retirer le bloc-piles d'un chargeur débranché.

⚠ AVERTISSEMENT! Pour réduire le risque de secousse électrique, toujours débrancher le chargeur avant d'effectuer un nettoyage ou un entretien. Ne pas laisser d'eau couler dans le chargeur. Pour réduire le risque d'électrocution, utiliser un disjoncteur différentiel de fuite de terre (DDFT).

- **Ne brûlez pas ou n'incinerez pas le bloc-piles :** il peut exploser et provoquer des dommages corporels ou matériels. Des émanations et des particules toxiques se dégagent d'un bloc-piles qui brûle.

- **N'écrasez pas, ne faites pas tomber ou n'endommagez pas le bloc-piles :** n'utilisez pas le bloc-piles ou le chargeur s'il a reçu un coup brutal, s'il est tombé, s'il a été écrasé ou endommagé d'une façon ou d'une autre (c.-à-d., percé par un clou, reçu un coup de marteau, foulé au pied, etc.).

- **Ne démontez rien :** un remontage mal effectué peut présenter un risque important de secousse électrique, d'incendie ou d'exposition aux produits chimiques de la batterie. Si la batterie ou le chargeur sont endommagés, veuillez communiquer avec un revendeur Snow Joe® + Sun Joe® agréé ou appeler le service clientèle Snow Joe® + Sun Joe® au 1-866-SNOWJOE (1-866-766-9563) pour de l'aide.

- **Les produits chimiques des batteries peuvent occasionner de graves brûlures :** ne laissez jamais un bloc-piles endommagé entrer en contact avec la peau, les yeux ou la bouche. Si un bloc-piles endommagé laisse fuir des produits chimiques, utilisez des gants en caoutchouc ou en néoprène pour les éliminer sans danger. Si la peau est entrée en contact avec les fluides d'une batterie, lavez la zone affectée à l'eau et au savon et rincez au vinaigre. Si les yeux sont entrés en contact avec des produits chimiques de batterie, rincez immédiatement à grande eau pendant 20 minutes et consultez un médecin. Retirez les vêtements contaminés et jetez-les.

- **Ne provoquez pas de court-circuit :** un court-circuit se produira si un objet en métal relie les contacts positif et négatif d'un bloc-piles. Ne placez aucun bloc-piles près de tout ce qui peut provoquer un court-circuit, par exemple un trombone, une pièce de monnaie, une clé, une vis, un clou ou tout autre objet métallique. Un bloc-piles en court-circuit présente un risque d'incendie et peut blesser gravement.

- **Rangez le bloc-piles et son chargeur dans un endroit frais et sec :** ne les rangez pas dans un endroit où la température peut être supérieure à 40,5 °C, par exemple directement sous les rayons du soleil, à l'intérieur d'un véhicule ou dans un cabanon à structure métallique pendant l'été.

Renseignements sur la batterie

1. Pour un rendement optimal du bloc-piles, évitez d'attendre qu'il soit presque déchargé et chargez-le fréquemment.
2. Rangez le bloc-piles dans un endroit frais, idéalement à 25 °C, et chargez au moins à 40 %.
3. Les batteries au lithium-ion s'usent naturellement avec le temps. Le bloc-piles doit être remplacé au plus tard lorsque sa capacité chute à 80 % de sa capacité d'origine, neuf. Les cellules affaiblies dans un bloc-piles usé ne

peuvent plus produire la forte intensité exigée pour que votre nettoyeur de terrasse fonctionne normalement, et elles présentent donc un risque pour la sécurité.

4. Ne jetez pas le bloc-piles dans un feu nu, ce qui pourrait le faire exploser.
5. Ne mettez pas le feu au bloc-piles et ne l'exposez pas à une flamme.
6. Ne déchargez jamais complètement le bloc-piles. Les cellules d'une batterie complètement déchargée seront endommagées. Le rangement prolongé et la non-utilisation d'une batterie partiellement déchargée sont les causes les plus communes d'une décharge complète. Arrêtez votre travail dès que vous remarquez que la puissance de la batterie chute ou dès que le système de protection électronique se déclenche. Rangez le bloc-piles uniquement s'il est à charge complète.
7. Protégez la batterie et la machine contre les surcharges. Les surcharges donneront rapidement lieu à une surchauffe et endommageront les cellules à l'intérieur du boîtier de batterie, même si cette surchauffe n'est pas visible de l'extérieur.
8. Évitez d'endommager la batterie et de la soumettre à des chocs. Remplacez immédiatement toute batterie qui est tombée d'une hauteur supérieure à un mètre ou qui a été soumise à des chocs violents, même si le boîtier du bloc-piles ne semble pas endommagé. Les cellules à l'intérieur de la batterie peuvent avoir été gravement endommagées. Dans ce cas, veuillez lire les renseignements sur l'élimination des déchets en ce qui concerne les batteries.
9. Si le bloc-piles souffre d'une surcharge ou d'une surchauffe, le coupe-circuit de protection intégré coupe le moteur de la machine pour des raisons de sécurité.
IMPORTANT! Ne pressez plus la gâchette marche/arrêt si le coupe-circuit de protection a été activé. Ceci pourrait endommager le bloc-piles.
10. Utilisez uniquement un bloc-piles d'origine. L'utilisation d'autres blocs-piles présente un risque d'incendie et pourrait provoquer des blessures ou une explosion.

Renseignements sur le chargeur et le processus de charge












1. Veuillez vérifier les données marquées sur la plaque signalétique du chargeur de batterie. Assurez-vous de brancher le chargeur de batterie sur une source d'alimentation correspondant à la tension indiquée sur la plaque signalétique. Ne le branchez jamais sur une tension de secteur différente.
2. Protégez le chargeur de batterie et son cordon pour éviter de les endommager. Maintenez le chargeur et son cordon éloignés de la chaleur, de l'huile et des objets tranchants. Faites réparer sans délai les cordons endommagés par un technicien qualifié chez un revendeur Snow Joe® + Sun Joe® agréé ou appelez le service clientèle Snow Joe® + Sun Joe® au 1-866-SNOWJOE (1-866-766-9563).
3. Les fiches électriques doivent correspondre à la prise. N'apportez aucune modification, quelle qu'elle soit, à la fiche. N'utilisez pas de fiche d'adaptation avec un chargeur mis à la terre. Des fiches non modifiées et des prises correspondantes réduiront le risque de secousse électrique.
4. Maintenez hors de portée des enfants le chargeur de batterie, le bloc-piles et la machine sans cordon.
5. Le bloc-piles devient chaud après une utilisation prolongée. Laissez le bloc-piles se refroidir à la température ambiante avant de le brancher dans le chargeur pour le charger.
6. Ne chargez pas la batterie de façon excessive. Ne dépassez pas le temps maximal de charge. Ce temps de charge ne s'applique qu'aux batteries déchargées. Recharger fréquemment un bloc-piles chargé ou partiellement chargé provoquera une surcharge et endommagera les cellules. Ne laissez pas la batterie branchée dans le chargeur pendant plusieurs jours consécutifs.
7. N'utilisez ou ne chargez jamais une batterie si vous soupçonnez qu'il y a plus de 12 mois qu'elle a été chargée pour la dernière fois. Il est extrêmement probable que le bloc-piles soit déjà dangereusement endommagé (décharge complète).
8. Si vous chargez une batterie à une température inférieure à 5 °C, vous endommagez les produits chimiques des cellules, ce qui peut provoquer un incendie.
9. N'utilisez pas une batterie qui a été exposée à la chaleur pendant sa charge, car les cellules de batterie peuvent avoir été dangereusement endommagées.
10. N'utilisez pas de batteries qui se sont bombées ou ont subi des déformations pendant le processus de charge, ni celles présentant d'autres symptômes atypiques (échappement de gaz, sifflement, fissures, etc.).
11. Ne déchargez jamais complètement le bloc-piles (le niveau maximal de décharge recommandé est de 80 %). La décharge complète d'un bloc-piles entraînera le vieillissement prématuré de ses cellules.

Protection contre les influences environnementales

1. Portez des vêtements de travail adaptés. Portez des lunettes de sécurité.
2. Protégez votre machine sans cordon et le chargeur de batterie contre l'humidité et la pluie. L'humidité et la pluie peuvent endommager dangereusement les cellules.
3. N'utilisez pas la machine sans cordon ou le chargeur de batterie près de vapeurs ou de liquides inflammables.
4. Utilisez le chargeur de batterie et la machine sans cordon uniquement en milieu sec et à une température ambiante comprise entre 5 °C et 40,5 °C.
5. Ne conservez pas le chargeur de batterie dans les endroits où la température est susceptible d'être supérieure à 40,5 °C. Ne laissez surtout pas le chargeur de batteries dans une voiture qui stationne au soleil.
6. Protégez les batteries contre les surcharges. Les surcharges et l'exposition directe aux rayons du soleil entraînent une surchauffe des cellules et les endommagent. Ne chargez ou n'utilisez jamais une batterie qui a surchauffé : au besoin, remplacez-la immédiatement.
7. Rangez le chargeur et votre machine sans cordon uniquement dans un endroit sec où la température ambiante est comprise entre 5 °C et 40,5 °C. Rangez votre bloc-piles au lithium-ion dans un endroit frais et sec à une température de 25 °C. Protégez le bloc-piles, le chargeur et la machine sans cordon contre l'humidité et les rayons du soleil directs. Rangez uniquement les batteries lorsqu'elles sont à charge complète (chargées au minimum à 40 %).
8. Veillez à ce que le bloc-piles au lithium-ion ne gèle pas. Les blocs-piles qui ont été entreposés à une température inférieure à 0 °C pendant plus de 60 minutes doivent être éliminés.
9. Lorsque vous manipulez la batterie, prenez garde aux décharges électrostatiques, car elles peuvent endommager le système de protection électronique et les cellules de batterie. Évitez de produire des charges électrostatiques et ne touchez jamais les pôles d'une batterie.

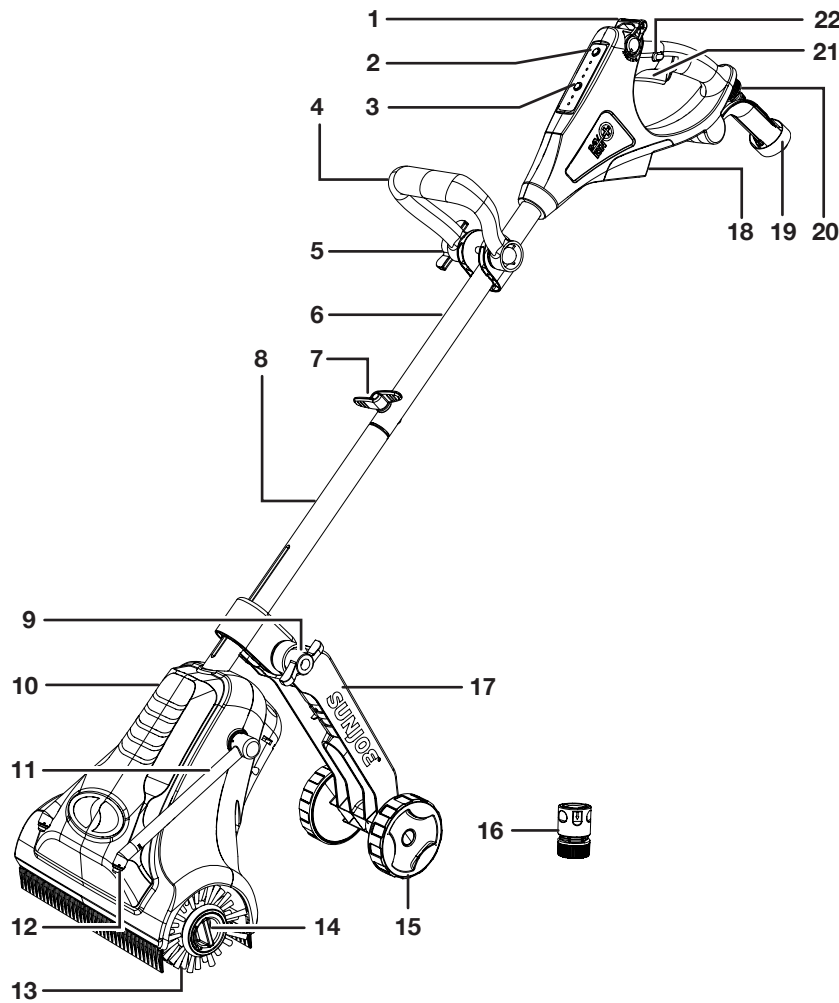
Symboles de sécurité

Le tableau suivant décrit et explique les symboles de sécurité pouvant être marqués sur cette machine. Avant d'essayer de procéder à son assemblage et de l'utiliser, lisez, comprenez et suivez toutes les instructions sur cette machine.

Symboles	Descriptions	Symboles	Descriptions
	LIRE LE OU LES MANUELS D'UTILISATION – Lire, comprendre et suivre toutes les instructions du ou des manuels avant d'essayer d'assembler et d'utiliser la machine.		ALERTE DE SÉCURITÉ – Indique une précaution, un avertissement ou un danger.
	AVERTISSEMENT! Ne pas exposer la machine à la pluie ou une forte humidité. La maintenir au sec.		PORT OBLIGATOIRE DE LUNETTES DE PROTECTION ET DE PROTECTEURS D'OREILLE – Pour éviter de se blesser, porter des protecteurs d'oreille et des lunettes de sécurité.
	Pour réduire le risque de se blesser, l'utilisateur doit maintenir tous les spectateurs à une distance d'au moins 15 m.		Cette machine n'est pas adaptée pour se raccorder à un réseau d'eau potable.
	Afin de protéger les mains, porter des gants de sécurité pendant l'utilisation de la machine.		Porter des chaussures à semelle antidérapante pour protéger les pieds et avoir une meilleure prise sur les revêtements glissants.
	DANGER! Des raccords de boyau défectueux et/ou des fuites peuvent créer des dangers de glissade et de chute.		Ranger à l'intérieur. Ne jamais ranger le nettoyeur de terrasse à l'extérieur. Si la pompe gèle, elle peut être irrémédiablement endommagée.
	Utilisation uniquement à l'intérieur. Utiliser uniquement le chargeur de batterie à l'intérieur.		

Apprenez à mieux connaître votre nettoyeur de terrasse sans cordon

Avant d'utiliser le nettoyeur de terrasse sans cordon, lisez attentivement le manuel d'utilisation et les consignes de sécurité. Pour vous familiariser avec l'emplacement des divers réglages et commandes, comparez l'illustration ci-dessous avec votre nettoyeur de terrasse sans cordon. Conservez ce manuel pour pouvoir le consulter dans le futur.



- 1. Clapet de régulation de débit d'eau
- 2. Bouton de réglage de vitesse des brosses
- 3. Bouton de marche avant/arrière
- 4. Poignée auxiliaire
- 5. Bouton de poignée auxiliaire
- 6. Manche supérieur

- 7. Bouton de manche
- 8. Manche inférieur
- 9. Bouton de cadre porte-roues
- 10. Caisson
- 11. Lance de pulvérisation (2)
- 12. Buse (2)
- 13. Brosse rotative (2)
- 14. Attache-brosse (2)
- 15. Roue (2)
- 16. Raccord de boyau d'arrosage
- 17. Cadre porte-roues
- 18. Compartiment à batterie
- 19. Support de boyau d'arrosage (avec bande Velcro)
- 20. Raccord de prise d'eau
- 21. Gâchette marche/arrêt
- 22. Bouton-poussoir de sécurité

VENDUS SÉPARÉMENT

Un choix de batteries et de chargeurs est offert sur le site sunjoe.com



24VBAT-LTE



24VBAT-LT



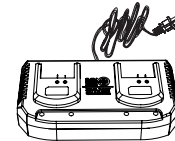
24VBAT



24VBAT-XR



24VCHRG-QC



24VCHRG-DPC

Données techniques

Moteur	500 W, à balais
Tension de batterie*	24 VCC
Largeur max. de nettoyage	30,5 cm
Pression max. d'arrivée d'eau	1 MPa
Réglage du débit d'eau	0 l/min – 2,7 l/min
Réglage de la vitesse	800 tr/min 1 000 tr/min de rotation des brosses
Taille des brosses	Φ 10 cm x 14 cm (chacune)
Poids net	5,5 kg

* La tension initiale à vide, une fois la batterie à charge complète, grimpe à 24 V; la tension nominale sous charge typique est de 21,6 V.

Déballage

Contenu de la caisse

- Nettoyeur de terrasse sans cordon avec manches
 - Bouton et boulon de manches
 - Raccord de boyau d'arrosage
 - Manuel et carte d'enregistrement
1. Retirez soigneusement le nettoyeur de terrasse de la caisse et inspectez-le pour vérifier que tous les éléments énumérés ci-dessus sont fournis.
 2. Inspectez soigneusement le contenu afin de vous assurer qu'aucun élément ne s'est cassé ou n'a été endommagé pendant le transport. Si vous constatez que des pièces manquent ou sont endommagées, NE PAS retourner la caisse au magasin. Veuillez appeler le service clientèle Snow Joe® + Sun Joe® au 1-866-SNOWJOE (1-866-766-9563).

REMARQUE : ne jetez pas la caisse d'expédition et l'emballage tant que vous n'êtes pas prêt à utiliser votre nouveau nettoyeur de terrasse sans cordon. L'emballage est fabriqué dans des matériaux recyclables. Éliminez ces matériaux de façon appropriée et conformément aux réglementations locales.

IMPORTANT! La machine et son emballage ne sont pas des jouets. Ne laissez pas les enfants jouer avec les sacs en plastique, les feuilles métalliques ou les petites pièces. Ces éléments peuvent être avalés et risquent de provoquer une suffocation!

⚠ AVERTISSEMENT! Ne pas insérer la batterie tant que l'assemblage n'est pas terminé. Ne pas tenir compte de cet avertissement peut être à l'origine d'un démarrage accidentel et, potentiellement, de graves dommages corporels.

Utilisation du bloc-piles

La machine est alimentée par une batterie au lithium-ion. Le bloc-piles est entièrement scellé et sans entretien.

OUTIL SEUL





BATTERIE ET CHARGEUR VENDUS SÉPARÉMENT

Pour utiliser ce nettoyeur de terrasse sans cordon, il vous faut une batterie et un chargeur du système iON+ 24V. Pour les options et spécifications de batteries et de chargeurs, veuillez consulter la page 58 ou vous rendre sur le site sunjoe.com pour plus de renseignements.

Témoins de charge de batterie

Le bloc-piles est équipé d'un bouton-poussoir pour vérifier le niveau de charge. Appuyez simplement sur le bouton-poussoir pour lire le niveau de charge de la batterie à l'aide des témoins de charge :

- Les témoins de charge sont tous les trois allumés : le niveau de charge de batterie est élevé.
- Deux témoins de charge sont allumés : le niveau de charge de batterie diminue. Arrêtez votre travail dès que possible.
- Un témoin de charge est allumé : la batterie est épuisée. Arrêtez IMMÉDIATEMENT votre travail et chargez la batterie. Sinon, la longévité de la batterie s'en trouvera considérablement réduite.

Témoins	Indications
	Bouton de niveau de charge
	La batterie est à 30 % de sa capacité et nécessite d'être chargée
	La batterie est à 60 % de sa capacité et nécessite d'être chargée bientôt
	La batterie est à charge complète

REMARQUE : si le bouton de niveau de charge ne semble pas fonctionner, branchez la batterie dans le chargeur et chargez au besoin.

REMARQUE : immédiatement après avoir utilisé le bloc-piles, le bouton de niveau de charge peut afficher une charge plus faible que si la vérification avait eu lieu quelques minutes plus tard. Les cellules des batteries « récupèrent » une partie de leur charge après une période de repos.

Utilisation du chargeur

⚠ AVERTISSEMENT! Charger uniquement le bloc-piles au lithium-ion iON+ 24V dans son chargeur au lithium-ion ON+ 24V compatible. Tout autre type de batterie peut causer des dommages corporels et matériels.

Pour réduire le risque de secousse électrique, ne laissez pas d'eau couler dans la fiche du chargeur CA/CC.

OUTIL SEUL

BATTERIE ET CHARGEUR VENDUS SÉPARÉMENT

Pour utiliser ce nettoyeur de terrasse sans cordon, il vous faut une batterie et un chargeur du système iON+ 24V. Pour les options et spécifications de batteries et de chargeurs, veuillez consulter la page 58 ou vous rendre sur le site sunjoe.com pour plus de renseignements.

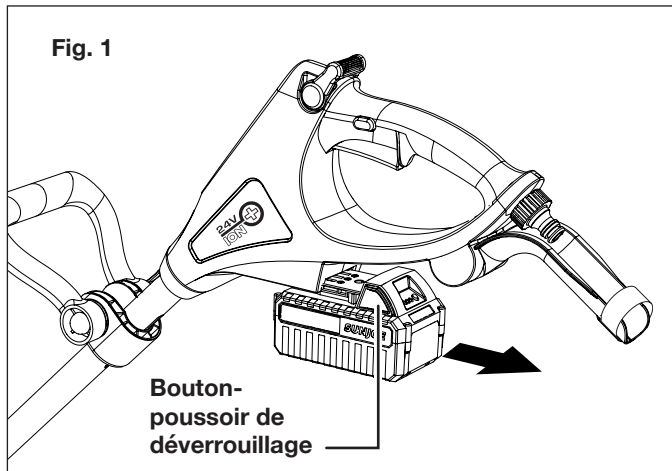
Quand charger la batterie au lithium-ion iON+ 24V

REMARQUE : le bloc-piles au lithium-ion iON+ 24V ne présente pas « d'effet mémoire » quand il est chargé après une simple décharge partielle. C'est pourquoi il n'est pas nécessaire d'épuiser le bloc-piles avant d'insérer la fiche du chargeur.

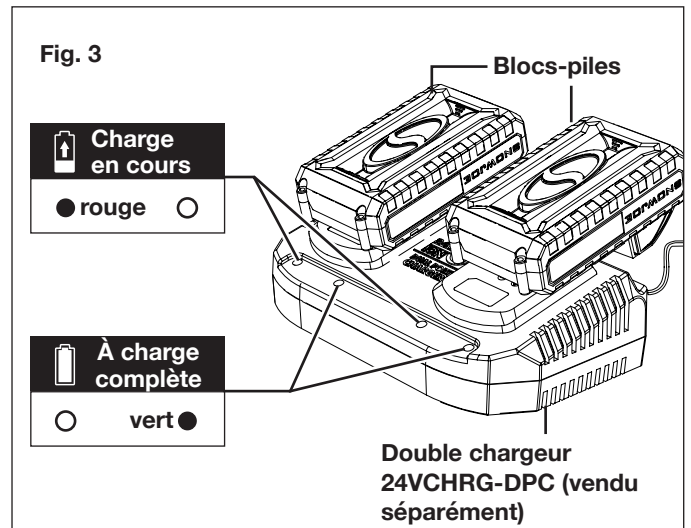
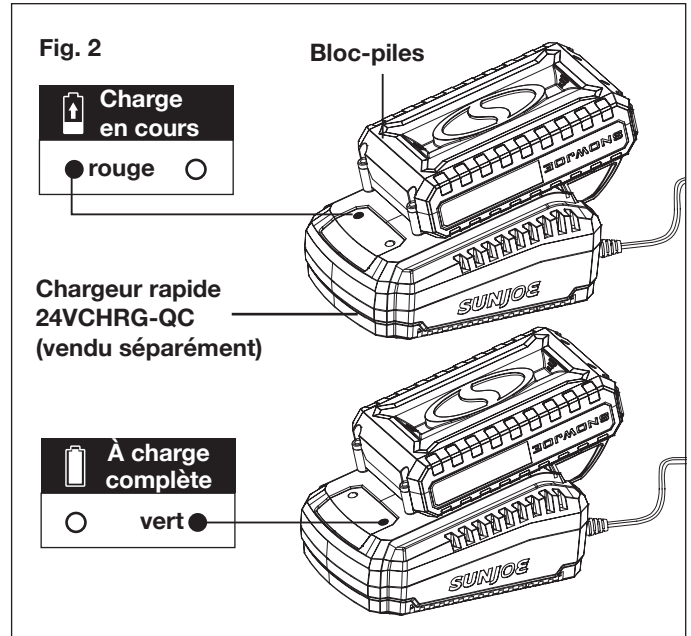
- Utilisez les témoins indicateurs de charge pour déterminer quand charger votre bloc-piles au lithium-ion iON+ 24V.
- Vous pouvez « compléter » la charge du bloc-piles avant de démarrer un gros travail ou après une longue journée d'utilisation.

Recharge de la batterie

1. Pour retirer le bloc-piles de son compartiment, appuyez sur les boutons-poussoirs de déverrouillage sur la batterie (Fig. 1).



2. La façon de recharger votre batterie au lithium-ion dépend de votre modèle de chargeur Snow Joe® + Sun Joe®. Vous pouvez insérer votre batterie de 24 V dans le chargeur rapide 24VCHRG-QC (vendu séparément) ou dans le double chargeur 24VCHRG-DPC (vendu séparément) (Fig. 2 et 3).



3. Les témoins de charge de batterie s'allumeront un par un pendant le processus de charge. Débranchez immédiatement le chargeur lorsque les témoins de charge sont tous les trois allumés.
4. Le chargeur rapide 24VCHRG-QC (vendu séparément) et le double chargeur 24VCHRG-DPC (vendu séparément) sont également dotés de témoins de charge supplémentaires qui indiquent le statut de charge (Fig. 2 et 3).

⚠ MISE EN GARDE! RISQUE D'INCENDIE. Pour déconnecter le chargeur de la batterie, s'assurer de débrancher d'abord le chargeur de la prise, puis de retirer la batterie du chargeur.

⚠ AVERTISSEMENT! Ce chargeur ne s'éteint pas automatiquement lorsque la batterie est à charge complète. Veiller à ne pas laisser la batterie insérée dans le chargeur. Éteindre le chargeur ou le débrancher du secteur une fois que la batterie est à charge complète.

5. Recharger la batterie au moment opportun prolongera sa durée de vie. Vous devez recharger le bloc-piles lorsque vous remarquez une chute de puissance de l'appareil.

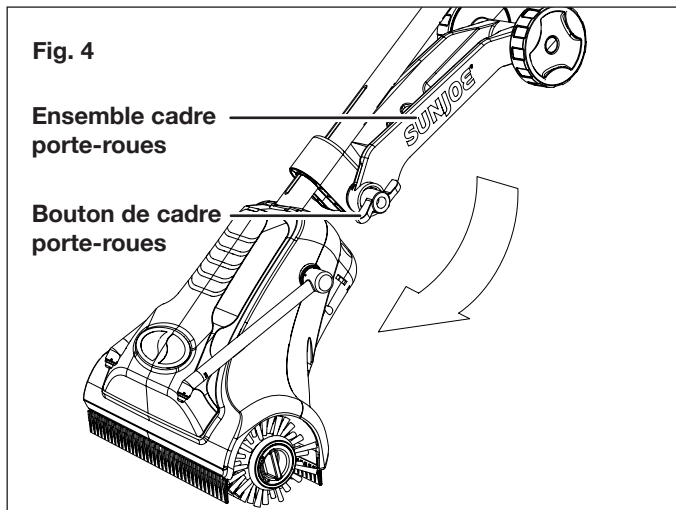
IMPORTANT! Ne laissez jamais le bloc-piles se décharger complètement, car ceci l'endommagerait irrémédiablement.

6. Une fois que le bloc-piles est à charge complète, retirez-le du chargeur en appuyant sur les boutons-poussoirs de verrouillage et en le faisant glisser vers l'arrière pour le dégager du chargeur.

Réglage du cadre porte-roues

REMARQUE : dans sa caisse d'expédition, le cadre porte-roues du nettoyeur de terrasse est en position de remisage. Pour régler le cadre porte-roues en position d'utilisation, suivez les instructions ci-dessous.

1. Desserrez le bouton du cadre porte-roues et faites pivoter l'ensemble cadre porte-roues en position d'utilisation. Pour verrouiller l'ensemble, tournez le bouton du cadre porte-roues (Fig. 4).

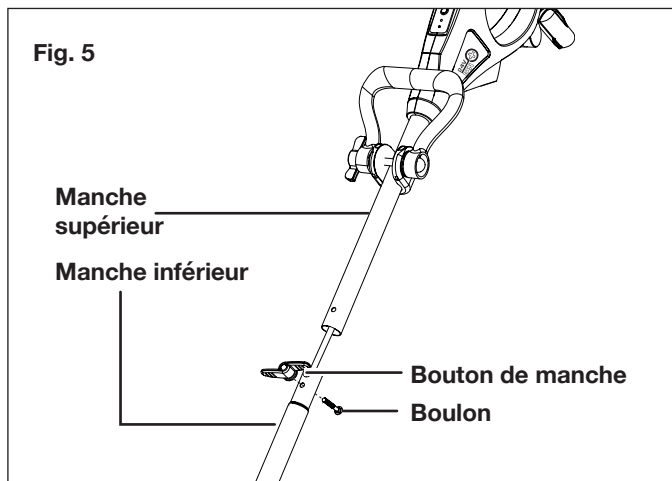


Ensemble manche

1. Glissez le manche supérieur dans l'ensemble manche inférieur. Alignez les trous des vis (Fig. 5).

REMARQUE : Lorsque vous faites glisser le manche supérieur dans le manche inférieur pour les assembler, veillez à ne pas tordre le boyau d'eau à l'intérieur. S'il est tordu, le boyau d'eau empêche l'eau de s'écouler. Si l'eau ne s'écoule pas des buses, retirez le bouton et le boulon

du manche et déplacez légèrement le manche supérieur jusqu'à ce que le débit d'eau soit normal. Remplacez le bouton et le boulon.

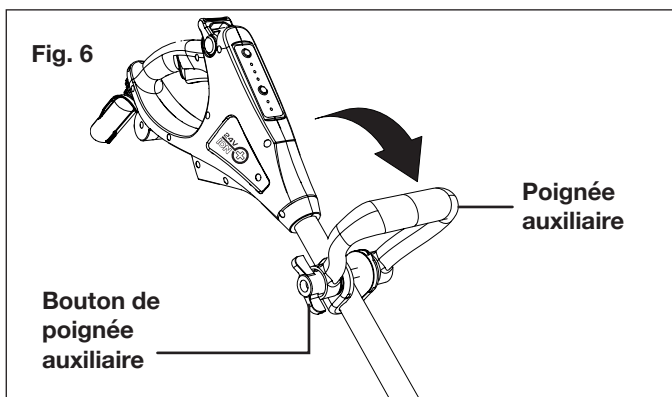


2. Insérez le boulon depuis l'arrière du manche en le faisant passer à travers les trous alignés et attachez la partie avant à l'aide du bouton (Fig. 5).

REMARQUE : il se peut que vous deviez déplacer d'un côté le câblage à l'intérieur du tube s'il bloque le passage du boulon.

3. Desserrez le bouton de la poignée auxiliaire et réglez-la jusqu'à ce que vous obteniez une position de travail confortable. Serrez le bouton de poignée auxiliaire (Fig. 6).

REMARQUE : la poignée auxiliaire offre 7 angles de position réglables par incréments de 30°. Choisissez la position qui convient le mieux à votre tâche.



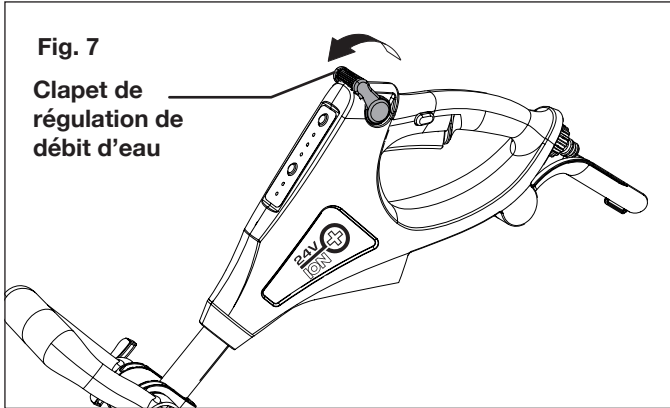
Branchement sur une arrivée d'eau

Le nettoyeur de terrasse peut se brancher à un robinet avec un boyau d'arrosage standard et le raccord de boyau d'arrosage inclus. Pour un branchement approprié, suivez les instructions ci-dessous :

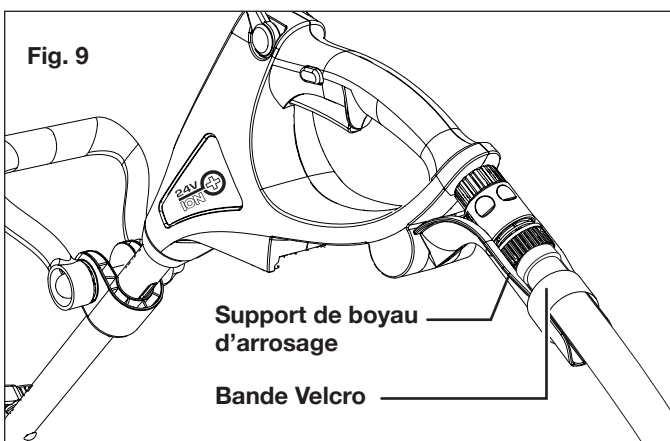
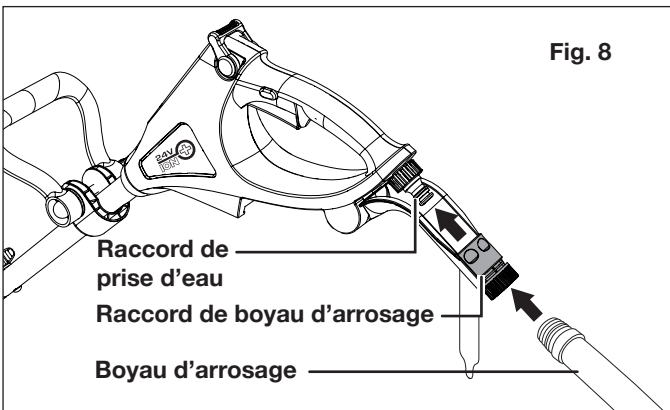
⚠ AVERTISSEMENT! Le nettoyeur de terrasse doit être utilisé uniquement avec de l'eau propre; l'utilisation d'eau non filtrée contenant des produits chimiques corrosifs endommagera la machine.

⚠️ AVERTISSEMENT! La température de l'eau à l'entrée du nettoyeur ne doit pas être supérieure à 35 °C.

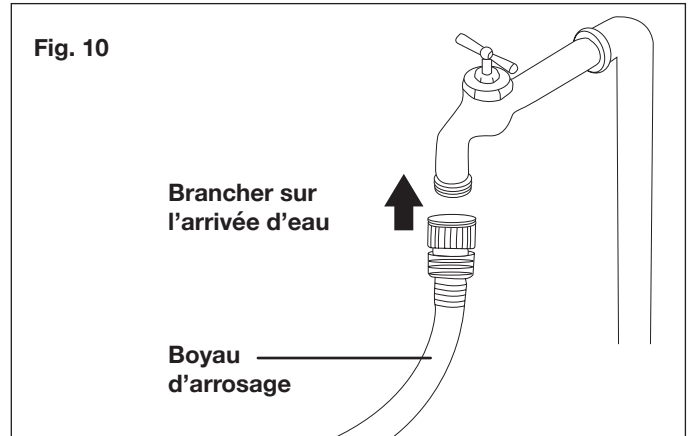
1. Avant de brancher la machine sur une arrivée d'eau, assurez-vous que le clapet de régulation de débit d'eau est réglé au minimum (Fig. 7).



2. Branchez d'abord le nettoyeur de terrasse à l'aide du raccord de boyau d'arrosage. Tirez vers le bas le collier du raccord de boyau d'arrosage et insérez-le dans le raccord de prise d'eau. Pour verrouiller le raccord une fois en place, relâchez le collier. Branchez ensuite le boyau d'arrosage dans le raccord de boyau d'arrosage. Vissez-le bien pour l'attacher solidement (Fig. 8). Remplacez le boyau d'arrosage sur le support de boyau d'arrosage et utilisez la bande Velcro attachée au support de boyau d'arrosage pour que celui-ci reste bien en place (Fig. 9).



3. Branchez l'autre extrémité du boyau d'arrosage sur l'arrivée d'eau (Fig. 10).

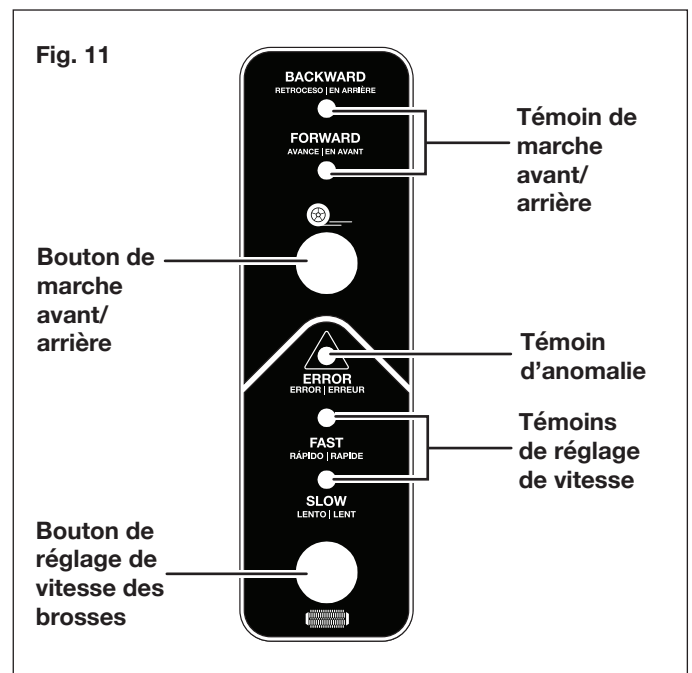


⚠️ AVERTISSEMENT! Maintenir le boyau à l'écart des objets tranchants. Un boyau qui éclate peut causer des dommages corporels. Examiner régulièrement le boyau et le remplacer s'il est endommagé. Ne pas essayer de réparer un boyau endommagé.

⚠️ AVERTISSEMENT! L'eau qui a traversé les dispositifs anti-siphonnement est considérée comme non potable.

Utilisation

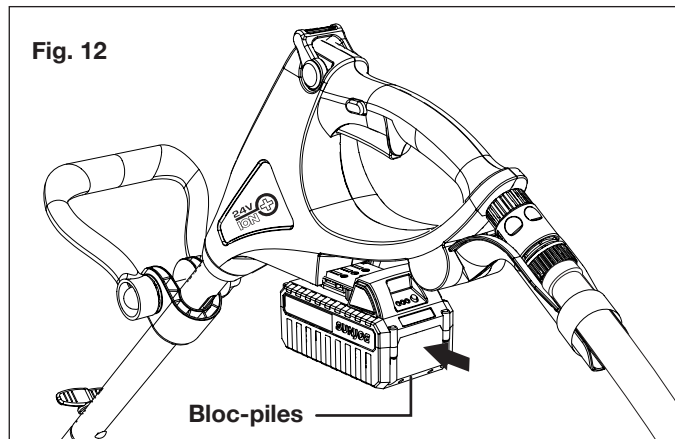
Tableau de commande (Fig. 11)



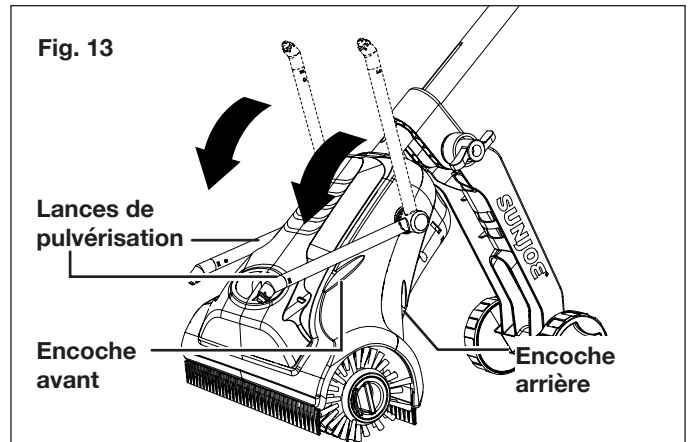
- 1. Commande marche avant/arrière :** utilisez le bouton de commande marche avant/arrière pour faire avancer ou reculer la machine. Par défaut, la machine avance. Appuyez sur le bouton, le témoin de marche arrière s'allumera et la machine reculera. Appuyez à nouveau sur le bouton, le témoin de marche avant s'allumera et la machine avancera.
- 2. Réglage de vitesse des brosses :** il y a deux réglages de vitesse de rotation des brosses, 800 tr/min pour le mode lent (pour les surfaces lisses) et 1 000 tr/min pour le mode rapide. Le mode rapide (pour les surfaces rugueuses). est la vitesse de rotation par défaut. Appuyez sur le bouton de réglage de vitesse, le témoin de mode lent s'allumera et la machine avancera en mode lent. Appuyez à nouveau sur le bouton de réglage de vitesse pour passer au mode rapide.
- 3. Témoin d'erreur :** le témoin d'erreur clignotera en rouge pour indiquer une surintensité et le moteur de la machine se coupera automatiquement.

Démarrage du nettoyeur

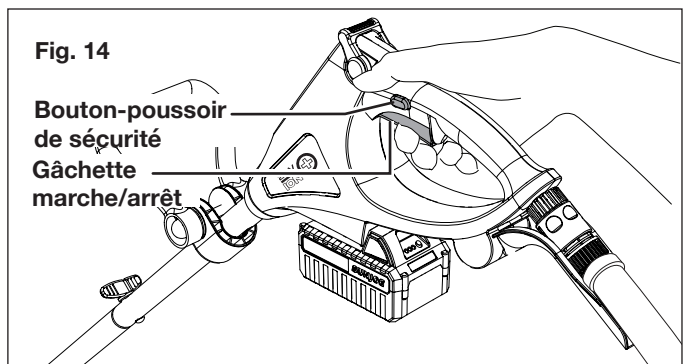
1. Assurez-vous que le nettoyeur de terrasse est branché sur une source d'alimentation en eau appropriée. Faites glisser la batterie dans le compartiment à batterie jusqu'à ce qu'elle se mette en place en s'encliquetant (Fig. 12).



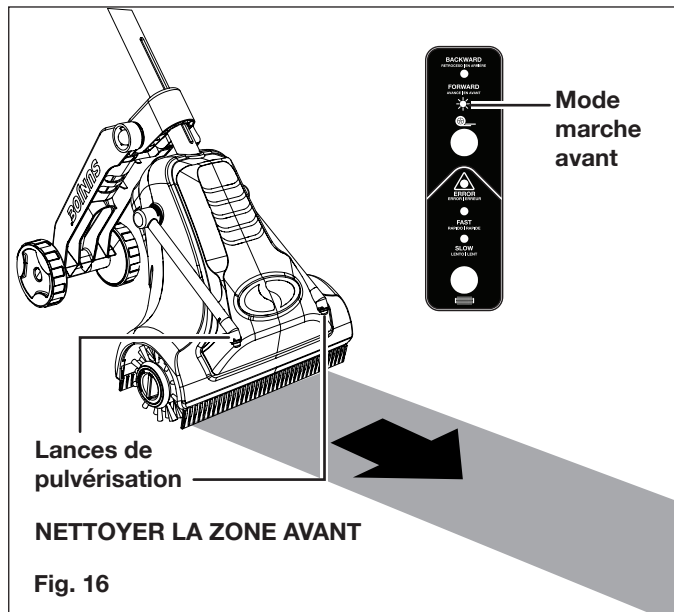
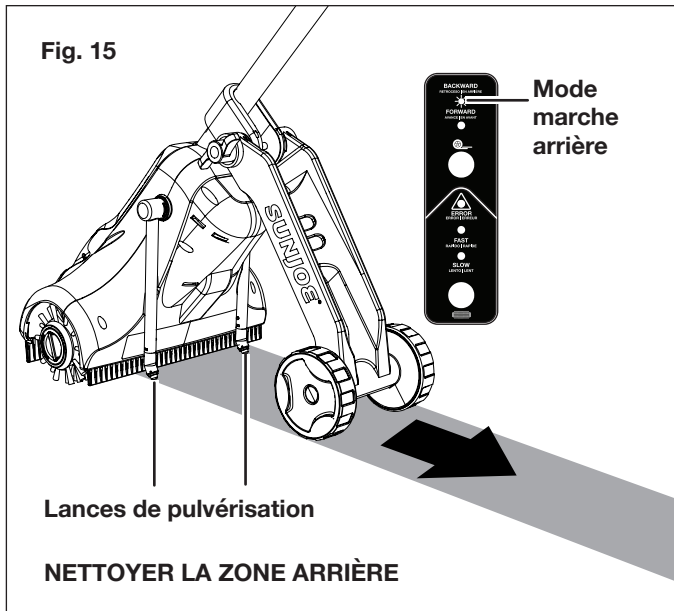
2. Ouvrez complètement le robinet d'alimentation en eau.
3. Déterminez le sens dans lequel vous voulez nettoyer et réglez en conséquence les lances de pulvérisation. Pour nettoyer la zone arrière, faites pivoter les lances de pulvérisation vers l'arrière. Pour nettoyer la zone avant, faites pivoter les lances de pulvérisation vers l'avant. Faites reposer les lances de pulvérisation dans les encoches pratiquées à l'avant et à l'arrière de la machine (Fig. 13).



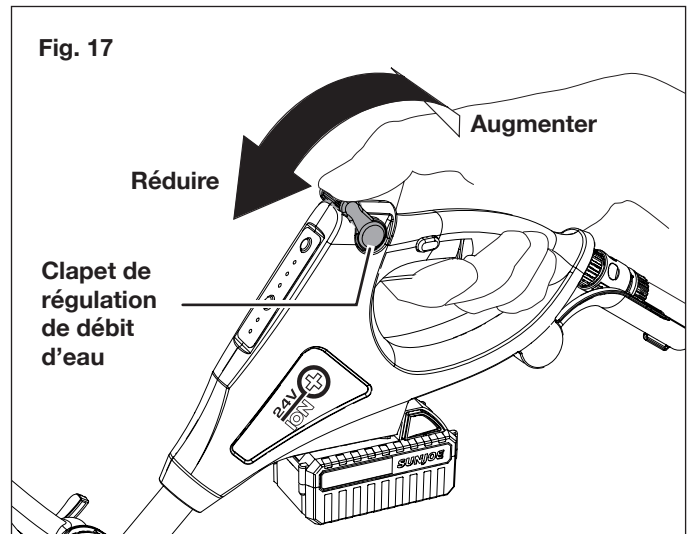
4. Assurez-vous que le clapet de régulation de débit d'eau est réglé au débit minimal (avant), appuyez sur le bouton-poussoir de sécurité et pressez en même temps la gâchette marche/arrêt. Une fois que la machine a démarré, vous pouvez relâcher le bouton-poussoir de sécurité (Fig. 14).



5. Utilisez les boutons du tableau de commande pour faire avancer ou reculer la machine et régler la vitesse des brosses. Si la zone arrière doit être nettoyée, mettez la machine en marche arrière (Fig. 15). Si la zone avant doit être nettoyée, mettez la machine en marche avant (Fig. 16). Assurez-vous que les lances de pulvérisation sont placées dans la position correspondante.



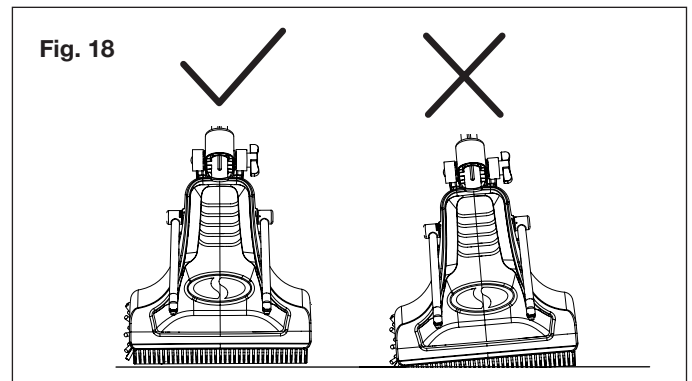
6. Ouvrez le clapet de régulation de débit d'eau et réglez-le pour obtenir le débit adapté à la tâche. Au besoin, vous pouvez régler le débit d'eau pendant l'utilisation de la machine. Poussez le clapet vers l'avant pour réduire le débit d'eau et tirez le clapet vers l'arrière pour augmenter le débit d'eau (Fig. 17).



Procédure élémentaire de nettoyage

La machine est destinée à éliminer la saleté et la crasse de revêtements à l'extérieur. La machine est adaptée pour nettoyer les revêtements en bois, en pierre ou en matériau composite (CBP). N'utilisez pas la machine pour nettoyer les zones plantées, par exemple les pelouses ou les massifs de fleurs.

1. Avant de nettoyer, retirez tous les débris épars du revêtement.
2. Avant de commencer, placez la machine de façon que les brosses reposent uniformément sur le revêtement à nettoyer (Fig. 18).



3. Allumez la machine et réglez au besoin le débit d'eau. Guidez les brosses sur le revêtement en exerçant une légère pression.
4. Si vous devez changer la vitesse de rotation des brosses ou le sens du nettoyage pendant l'utilisation de la machine, vous n'avez pas besoin de l'arrêter. Assurez-vous de fermer complètement le débit d'eau en poussant vers l'avant le clapet de régulation de débit d'eau pour arrêter le débit d'eau avant d'effectuer le changement.

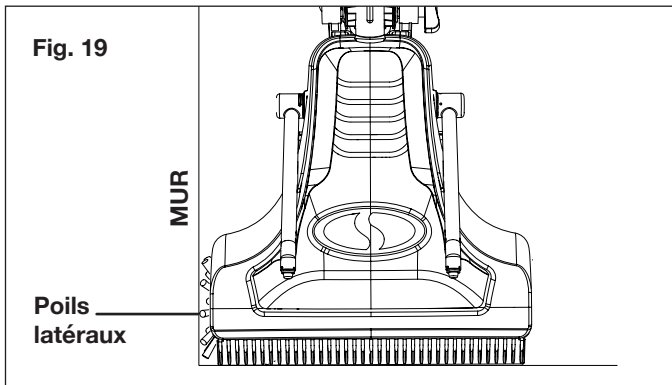
REMARQUE : une fois que le moteur de la machine est coupé, elle retourne aux réglages par défaut, c'est-à-dire la vitesse rapide de rotation des brosses et la marche avant.

5. Pour le nettoyage de revêtements délicats comme le bois, il est recommandé de tester la machine dans une zone peu visible. Pendant le nettoyage, ne laissez pas la machine au même endroit pendant une période prolongée. Maintenez-la en mouvement.

REMARQUE : nettoyez toujours les revêtements en bois dans le sens de la fibre. Nettoyez toujours dans la longueur du plancher ou des éléments en bois et en descendant un plan incliné.

REMARQUE : si le bois a été précédemment prétraité, le traitement de surface peut être éliminé et rendre irrégulier le revêtement.

6. La brosse rotative est dotée de poils d'un côté qui sont utilisés pour le nettoyage de la partie inférieure des murs et des marches. Avancez lentement le long des murs et guidez les poils latéraux pour frotter la zone à nettoyer (Fig. 19).



Arrêt de la machine

1. Pour arrêter le débit d'eau, poussez vers l'avant le clapet de régulation de débit d'eau. Relâchez la gâchette. Retirez la batterie.
2. Fermez l'alimentation en eau. Débranchez le boyau d'arrosage du nettoyeur de terrasse.
3. Avant de remiser la machine, vidangez l'eau qui reste. Tournez le clapet de régulation de débit d'eau pour ouvrir complètement le débit d'eau, mettez la machine debout pendant un moment. L'eau qui reste s'évacuera par les buses.

REMARQUE : une machine partiellement vidée de son eau peut être endommagée par le gel.

⚠ AVERTISSEMENT! Ne pas cogner le caisson de la machine sur le sol pour évacuer l'eau restante.

Remisage

⚠ MISE EN GARDE! Toujours ranger le nettoyeur à pression dans un endroit à l'abri du gel où la température n'est jamais inférieure à 0 °C. **LES DOMMAGES DUS AU GEL NE SONT PAS COUVERTS PAR LA GARANTIE.**

- Rangez le nettoyeur de terrasse à l'intérieur dans un endroit couvert et sec où il ne sera pas soumis aux intempéries.
- Avant de ranger la machine, videz toujours l'eau de tous les tuyaux, de la pompe et des accessoires.

Entretien

Pour commander des pièces de rechange ou des accessoires d'origine pour le nettoyeur de terrasse sans cordon Sun Joe® 24V-PSC-CT, veuillez vous rendre sur le site sunjoe.com ou communiquer avec le service à la clientèle Snow Joe® + Sun Joe® en appelant le 1-866-SNOWJOE (1-866-766-9563).

⚠ MISE EN GARDE! Avant d'intervenir sur le nettoyeur de terrasse, retirez la batterie du compartiment.

Nettoyage

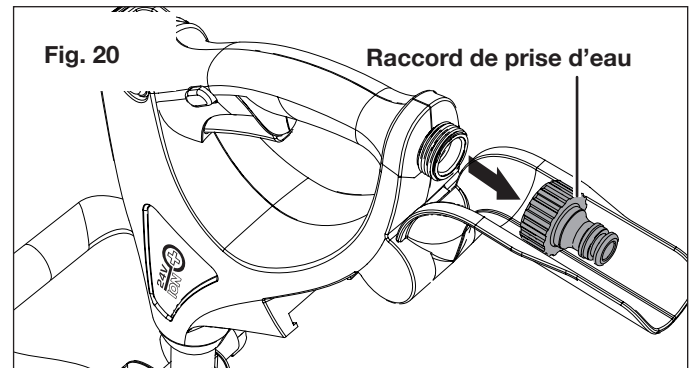
⚠ AVERTISSEMENT! Pour éviter de se blesser gravement, avant de nettoyer ou d'intervenir sur la machine, s'assurer que le moteur est coupé et que la batterie est retirée.

1. Utilisez un chiffon mouillé pour nettoyer l'extérieur de la machine. N'utilisez pas de détergents ou de produits nettoyants forts qui contiennent des huiles aromatiques (p. ex., pin et citron) ou de solvants puissants, par exemple le kérosène, car ces substances peuvent endommager le caisson en plastique ou les poignées. N'utilisez pas de nettoyeur haute pression pour nettoyer la machine.
2. Retirez de la brosse la saleté, les débris, le sable et les pierres. Au besoin, retirez les brosses et lavez-les sous l'eau du robinet. Pour la façon de démonter les brosses, consultez les instructions de la section Nettoyage/remplacement des brosses en page 56.

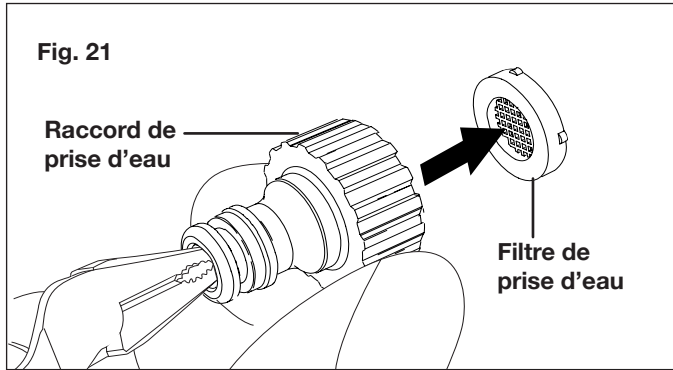
Nettoyage du filtre de prise d'eau.

Pour assurer un bon rendement, vérifiez et nettoyez le filtre de prise d'eau à l'extrémité du raccord de prise d'eau.

1. Tournez le raccord de prise d'eau dans le sens antihoraire et retirez-le de la prise d'eau (Fig. 20).



2. Pour saisir le filtre de prise d'eau et le retirer, insérez une pince dans la plus petite extrémité du raccord, comme l'indique l'illustration (Fig. 21).

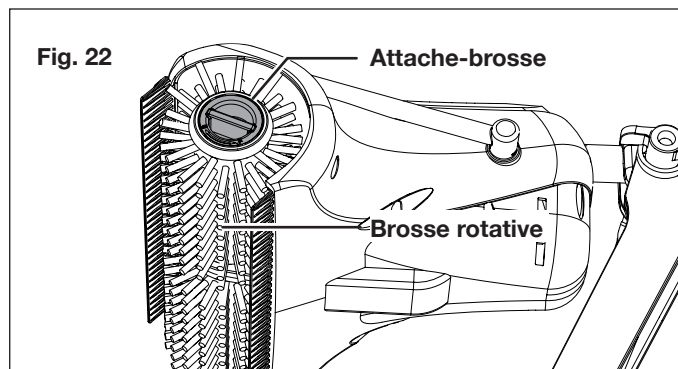


3. Pour empêcher toute matière étrangère d'obstruer la machine, rincer tous les composants à l'eau chaude, y compris le filtre de prise d'eau, le raccord de prise d'eau et le raccord de boyau d'arrosage.

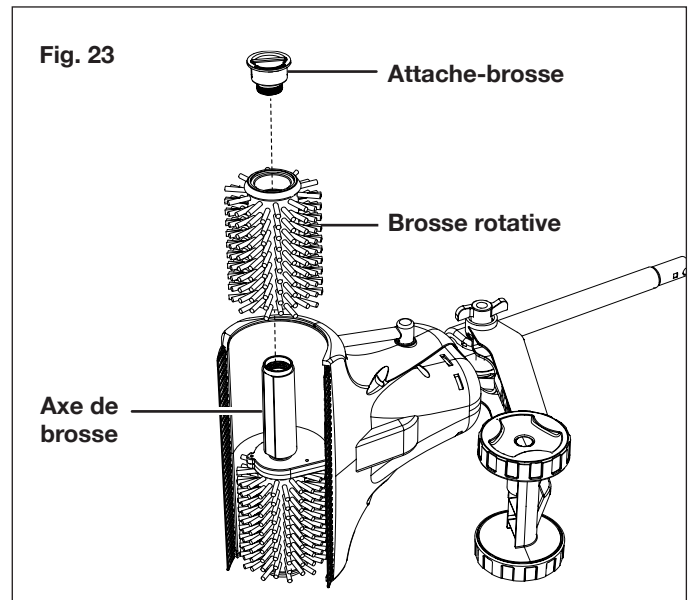
Nettoyage/remplacement des brosses

IMPORTANT : utilisez uniquement les pièces de rechange d'origine spécifiées pour cette machine. L'utilisation de pièces qui ne répondent pas aux spécifications d'origine de la machine peut être la cause d'un rendement anormal du nettoyeur de terrasse et peut compromettre la sécurité de l'utilisateur.

1. Éteignez la machine et retirez le bloc-piles du compartiment à batterie.
2. Retournez la machine sur son flanc de façon que l'attache-brosse soit dirigé vers le haut. Pour déverrouiller la brosse, tournez l'attache-brosse dans le sens antihoraire (Fig. 22).

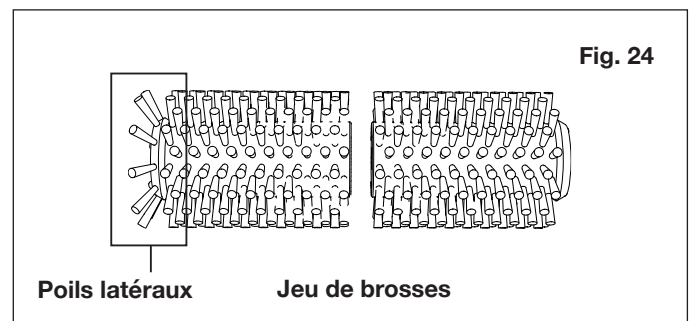


3. Retirez à la fois la brosse et l'attache-brosse (Fig. 23).

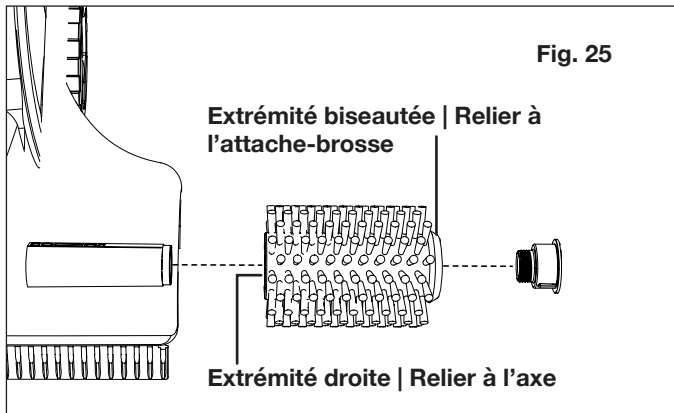


4. Répétez les étapes ci-dessus pour retirer la brosse et l'attache-brosse de l'autre côté.
5. Nettoyez les brosses et les attache-brosses sous l'eau du robinet. Si les brosses sont usées, remplacez-les par un nouveau jeu de brosses.

REMARQUE : un jeu de brosses comprend deux brosses rotatives qui paraissent différentes. Lorsque vous êtes debout devant le nettoyeur, la brosse ayant des poils latéraux doit être assemblée du côté droit de la machine (Fig. 24).



REMARQUE : lorsque vous remplacez les brosses, faites attention au sens de la brosse. L'extrémité la plus petite ayant un trou rond doit toujours faire face vers l'extérieur et doit être reliée à l'attache-brosse (Fig. 25).



Élimination

Recyclage du nettoyeur

- Ne jetez pas les outils et appareils électriques comme si c'étaient des déchets ménagers. Utilisez les services d'enlèvement spéciaux des ordures ménagères.
- Communiquez avec l'organisme public local pour obtenir des informations sur les systèmes d'enlèvement offerts.
- Si des outils ou appareils électriques sont éliminés dans les décharges ou les dépôts d'ordures, des substances dangereuses peuvent s'infiltrer dans les eaux souterraines et polluer la chaîne alimentaire en nuisant à votre santé et votre bien-être.
- Lors du remplacement d'un outil ou d'un appareil électrique ancien par un neuf, le détaillant est légalement tenu de reprendre au moins gratuitement votre ancien produit pour l'éliminer.

Recyclage et élimination

La machine est livrée dans un emballage qui l'empêche d'être endommagée pendant son expédition. Conservez l'emballage jusqu'à ce que vous soyez sûr que toutes les pièces ont été livrées et que la machine fonctionne correctement. Ensuite, recyclez l'emballage ou conservez-le pour le remisage de longue durée.

Mise en garde concernant les batteries et informations sur leur élimination

Éliminez toujours les blocs-piles en vous conformant aux réglementations fédérales, provinciales ou territoriales et locales. Communiquez avec un organisme de recyclage de votre région pour obtenir la liste des sites de recyclage.

⚠ MISE EN GARDE! Même déchargés, les blocs-piles emmagasinent une certaine énergie. Avant de l'éliminer, utiliser du ruban isolant pour couvrir les bornes et empêcher ainsi le bloc-piles de provoquer un court-circuit, ce qui pourrait causer un incendie ou une explosion.

⚠ AVERTISSEMENT! Pour réduire le risque de blessure ou d'explosion, ne jamais brûler ou incinérer un bloc-piles, même s'il est endommagé, à plat ou complètement déchargé. En brûlant, des émanations et des matières toxiques sont émises dans l'atmosphère environnante.

1. Les batteries varient selon le type de machines ou d'outils. Consultez le manuel pour des renseignements spécifiques.
2. S'il en faut plusieurs, insérez uniquement des batteries neuves de même type dans votre appareil ou outil.
3. Si, en les insérant, la polarité des blocs-piles n'est pas respectée, comme indiqué dans le compartiment à batterie ou dans le manuel, leur durée de vie pourrait être réduite ou ils pourraient fuir.
4. Ne mélangez pas des batteries anciennes et des neuves.
5. Ne mélangez pas des piles alcalines, standard (carbone/zinc) ou rechargeables (au nickel-cadmium, au nickel-métal-hydrure ou au lithium-ion).
6. Ne jetez pas les blocs-piles au feu.
7. Les blocs-piles doivent être recyclés ou éliminés en observant les directives provinciales, territoriales ou locales.

Entretien, réparations et assistance technique

Si votre nettoyeur de terrasse sans cordon Sun Joe® 24V-PSC-CT nécessite une réparation ou un entretien, veuillez appeler le service à la clientèle Snow Joe® + Sun Joe® au 1-866-SNOWJOE (1-866-766-9563).

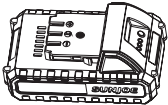
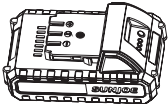

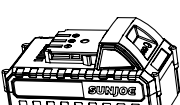
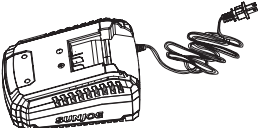
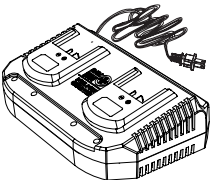
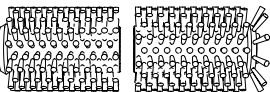
Numéros de modèle et de série

Lorsque vous communiquez avec l'entreprise pour commander des pièces ou prendre rendez-vous pour une intervention technique chez un revendeur agréé, vous devez fournir les numéros de modèle et de série qui se trouvent sur l'étiquette autocollante apposée sur le caisson de la machine. Copiez ces numéros dans l'espace réservé ci-dessous.

Veuillez noter les numéros suivants sur le caisson ou la poignée de votre nouveau produit :														
N° de modèle :														
2	4	V	-	P	S	C	-	C	T					
N° de série :														

Accessoires optionnels

⚠️ AVERTISSEMENT! TOUJOURS utiliser des pièces de rechange et des accessoires Snow Joe® + Sun Joe® homologués. NE JAMAIS utiliser des pièces ou des accessoires qui ne sont pas destinés à être utilisés avec ce nettoyeur de terrasse sans cordon. Communiquez avec le service à la clientèle Snow Joe® + Sun Joe® si vous n'êtes pas sûr que l'utilisation d'une pièce de rechange ou d'un accessoire particulier avec votre nettoyeur de terrasse soit sans danger. L'utilisation de tout autre accessoire ou de toute autre pièce détachée peut être dangereuse et pourrait provoquer des dommages corporels ou des détériorations d'origine mécanique.

Accessoires	Description	Modèle
<p>①</p> 	Batterie au lithium-ion 2,0 Ah iON+ 24V	24VBAT-LTE
<p>②</p> 	Batterie au lithium-ion 2,5 Ah iON+ 24V	24VBAT-LT
<p>③</p> 	Batterie au lithium-ion 4,0 Ah iON+ 24V	24VBAT
<p>④</p> 	Batterie au lithium-ion 5,0 Ah iON+ 24V	24VBAT-XR
<p>⑤</p> 	Chargeur rapide de batterie au lithium-ion iON+ 24V	24VCHRG-QC
<p>⑥</p> 	Double chargeur de batteries au lithium-ion iON+ 24V	24VCHRG-DPC
<p>⑦</p> 	Jeu de brosses de rechange	24V-PSC-BRUSH

REMARQUE : les accessoires sont sous réserve de changements sans que Snow Joe® + Sun Joe® soit pour autant tenue de donner un préavis desdits changements. Les accessoires peuvent être commandés en ligne sur le site sunjoe.com ou par téléphone en appelant le service à la clientèle Snow Joe® + Sun Joe® au 1-866-SNOWJOE (1-866-766-9563).



LA PROMESSE DE SNOW JOE® + SUN JOE® À SES CLIENTS

Vous êtes notre client et Snow Joe, LLC (« Snow Joe ») **SE MET EN QUATRE** pour vous servir. Nous nous efforçons de vous rendre l'utilisation de nos produits aussi plaisante que possible. Malheureusement, il peut arriver qu'un produit Snow Joe®, Sun Joe® ou Aqua Joe (« Produit ») ne fonctionne pas ou se casse dans des conditions d'utilisation normales. Nous pensons qu'il est important que vous sachiez ce que vous pouvez attendre de nous. C'est pourquoi nous avons une garantie limitée (« Garantie ») pour nos Produits.

NOTRE GARANTIE :

Snow Joe déclare et garantit que les Produits neufs, d'origine, électriques ou non électriques sont exempts de vices de matière ou de fabrication et, lorsqu'ils font l'objet d'une utilisation résidentielle et ménagère ordinaire, les garantit pendant une période de deux ans à compter de la date d'achat au détail par l'acheteur primitif auprès de Snow Joe ou d'un des revendeurs agréés de Snow Joe, preuve d'achat à l'appui. Étant donné que Snow Joe ne peut pas contrôler la qualité de ses Produits vendus par des revendeurs non agréés, sauf stipulation contraire de la loi, la présente Garantie ne couvre pas les Produits achetés auprès de vendeurs non agréés. Si votre Produit ne fonctionne pas ou si une pièce spécifique couverte par les modalités de la présente Garantie fait l'objet d'un problème quelconque, Snow Joe choisira (1) de vous envoyer une pièce de rechange gratuite, (2) de remplacer le Produit par un produit neuf ou comparable, gratuitement, ou (3) de réparer le Produit. Génial, n'est-ce pas?

La présente Garantie vous donne des droits judiciaires spécifiques, et vous pouvez également avoir d'autres droits qui peuvent varier d'une province ou d'un territoire à l'autre.

ENREGISTREMENT DU PRODUIT :

Snow Joe vous recommande vivement d'enregistrer votre Produit. Vous pouvez l'enregistrer en ligne sur le site snowjoe.com/register, ou en imprimant et en envoyant par courrier une carte d'enregistrement offerte en ligne sur notre site Web, ou par téléphone en appelant notre Service à la clientèle au **1-866-SNOWJOE (1-866-766-9563)**, ou encore en nous envoyant un courriel à l'adresse help@snowjoe.com. Le fait de ne pas enregistrer l'achat de votre Produit n'a aucune conséquence sur vos droits concernant la garantie. Toutefois, l'enregistrement de votre Produit permettra à Snow Joe de mieux répondre au moindre besoin que vous pourriez avoir en matière de service à la clientèle.

QUI PEUT REVENDIQUER LA COUVERTURE DE LA GARANTIE?

La présente Garantie est étendue par Snow Joe à l'acheteur et propriétaire primitif du Produit.

QU'EST-CE QUI N'EST PAS COUVERT?

La présente Garantie ne s'applique pas si le Produit a été utilisé commercialement, pour des travaux non résidentiels ou s'il fait l'objet d'une location. La présente Garantie ne s'applique pas non plus si le Produit a été acheté auprès d'un revendeur non agréé. La présente garantie ne couvre pas non plus les changements cosmétiques qui n'affectent pas le rendement. Les pièces d'usure comme les courroies, les tarières, les chaînes et les dents ne sont pas couvertes au titre de la présente Garantie et peuvent être achetées en ligne sur le site snowjoe.com ou en appelant le **1-866-SNOWJOE (1-866-766-9563)**.



sunjoe.com