



SNOWJOE™

CORDLESS SNOW SHOVEL

24V MAX* | 4.0 Ah | 13-INCH

EN

OPERATOR'S MANUAL

A Division of Snow Joe®, LLC

Model 24V-SS13

Form No. SJ-24V-SS13-880E-MR2


IMPORTANT! Safety Instructions

All Operators Must Read These Instructions Before Use

Read all instructions before using this cordless snow shovel. Basic safety precautions should always be followed to reduce the risk of fire, electric shock and personal injury.

General Safety WARNINGS!

You and any other operator of this snow shovel must read, understand and follow these instructions in their entirety, and should reread them at the start of each snow season. Failure to follow these instructions may result in ELECTRIC SHOCK, FIRE and/or serious PERSONAL INJURY.


Notice the personal safety alert symbol  used in this manual to draw your attention to a WARNING given along with the particular operating instruction. This means that the operation requires special ATTENTION, CAUTION and AWARENESS.

1. **Keep work area clean and well lit** – Cluttered, dark areas invite accidents.
2. **Use the right product** – Do not use this machine for any job except that for which it is intended.
3. **Replacement parts** – When servicing this unit, use only identical replacement parts. Replace or repair damaged cord immediately on the charger.

Do not use on gravel surfaces unless the snow shovel is adjusted for such surfaces in accordance with the operator's manual.
4. **Keep children, bystanders and pets away** – All spectators, including pets, should be kept a safe distance away from the work area.
5. **Dress properly** – Do not wear loose articles of clothing or jewelry. They can become caught in moving parts. Wear rubber boots.

The cordless snow shovel should not be operated in the hand-held position except when the instructions provided in this manual deem such use permissible.

6. **Avoid accidental starting** – Make sure the safety switch and the On/Off switch are in the off position before inserting the battery in the unit. Do not carry the cordless snow shovel with the safety switch and the On/Off switch engaged.
7. **Moving parts** – Keep hands and feet away from moving parts. Keep guards in place and in proper working order.
8. **⚠CAUTION!** Exercise caution to avoid slipping or falling. Wear protective footwear that will protect your feet and improve your footing on slippery surfaces.
9. **Use safety glasses** – Also use safety footwear, snug-fitting clothing, protective gloves, hearing and head protection.
10. **Stay alert** – Watch what you are doing. Use common sense. Do not operate the cordless snow shovel when you are tired or under the influence of alcohol or drugs.
11. **Do not force the tool** – It will perform better with less likelihood of personal or mechanical injury if it is used at the rate for which it was designed.
12. **Do not overreach** – Keep proper footing and balance at all times.
13. If the cordless snow shovel strikes a foreign object, follow these steps:
 - **Stop the cordless snow shovel. Remove the battery.**
 - **Inspect for damage.**
 - **Repair any damage before restarting and operating the snow shovel.**
14. **Disconnect the tool** – Turn off the power switch and remove the battery when it is not in use, before servicing it, when changing accessories and when performing any other maintenance task.
15. **Store idle tool indoors** – When not in use, the cordless snow shovel should be stored indoors in a dry, locked place out of the reach of children.
16. **Maintain the cordless snow shovel with care** – Follow the applicable maintenance instructions for replacing parts and changing accessories. Lubrication is not required.

 **This is the safety alert symbol. It is used to alert you to potential personal injury hazards. Obey all safety messages that follow this symbol to avoid possible injury or death.**

Improperly using or maintaining this cordless snow shovel could result in injury or death. To reduce this potential, comply with the following safety instructions.

This cordless snow shovel can amputate hands and feet if used incorrectly. It can also pick up foreign objects, which can become dangerous projectiles when thrown into the air. Failure to observe the following safety instructions could result in serious personal injury.

Training

- Read, understand and follow all instructions on the machine and in the manual before operating this unit. Thoroughly familiarize yourself with the controls and the proper use of the equipment. Know how to stop the unit and disengage the controls quickly.
- Children should never be allowed access to the equipment. Adults should never operate the equipment without carefully reading and understanding these instructions.
- Keep the area of operation clear of all persons, particularly small children and pets.
- Exercise caution to avoid slipping or falling.

Preparation

- Thoroughly inspect the area where the equipment is to be used and remove all doormats, sleds, boards, wires and other foreign objects.
- Do not operate the equipment without wearing adequate winter garments. Avoid loose fitting articles of clothing that can become caught in moving parts. Wear footwear that will improve footing on slippery surfaces.
- Do not attempt to clear snow from a gravel or crushed rock surface. This product is intended for use only on paved surfaces.
- Never attempt to make any adjustments while the motor is running (except when specifically recommended by the manufacturer).
- Always wear safety glasses or eye shields during operation or while performing an adjustment or repair to protect your eyes from foreign objects that may be thrown from the machine.

Operation

- Do not put hands or feet near or under rotating parts. Keep clear of the discharge opening at all times.
- Exercise extreme caution when operating on or crossing gravel drives, walks or roads. Stay alert for hidden hazards or traffic.
- After striking a foreign object, stop the motor. Thoroughly inspect the cordless snow shovel for any damage, and repair the damage before restarting and operating the cordless snow shovel.
- If the unit should start to vibrate abnormally, stop the motor and check the unit immediately to ascertain the cause. Vibration is generally a sign of trouble.

- Stop the motor and remove the battery whenever you leave the operating position, when transporting the unit, before unclogging the rotor blade housing and when making any repairs, adjustments or inspections to the unit.
- When cleaning, repairing or inspecting the cordless snow shovel, make sure that all moving parts have come to a complete stop before beginning work.
- Exercise extreme caution when operating on slopes.
- Never operate the cordless snow shovel without proper guards and other safety devices in place and in proper working order.
- Never direct the discharge toward people or areas where property damage can occur. Keep children, pets and other bystanders away from the work area.
- Do not overload the machine capacity by attempting to clear snow at too fast a rate.
- Look behind and use care when backing up with the cordless snow shovel.
- Never operate the cordless snow shovel without good visibility or light. Always be sure of your footing, and keep a firm hold on the handles. Walk, never run, with the unit.

Clearing a Clogged Rotor Housing

Hand contact with the rotating rotor blades inside the rotor housing is the most common cause of injury associated with cordless snow shovels. Never use your hands to clear a clogged rotor housing.

To clear the rotor housing:

- Shut the motor off and remove the battery.
- Wait 10 seconds to be sure the rotor blades have come to a complete stop.
- Always use a clean-out tool, not your hands, to free the rotating blades.

Maintenance and Storage

- Check all fasteners at frequent intervals for proper tightness to ensure that the equipment is in safe working condition.
- Always refer to the operator's manual for important details, such as how to properly store your cordless snow shovel for an extended period of time.
- Maintain or replace safety and instruction labels as needed.
- Run the machine a few minutes after throwing snow to prevent the rotor blades from freezing.

Battery + Charger

Safety Instructions

We pay a great deal of attention to the design of every battery pack to ensure that we supply you with batteries that are safe, durable and have a high energy density. The battery cells have a wide range of safety devices. Each individual cell is initially formatted and its electrical characteristic curves are recorded. This data is then used exclusively to be able to assemble the best possible battery packs.

Despite all the safety precautions, caution must always be exercised when handling batteries. The following points must be obeyed at all times to ensure safe use. Safe use can only be guaranteed if undamaged cells are used. Incorrect handling of the battery pack can cause cell damage.

IMPORTANT! Analyses confirm that incorrect use and poor care of high-performance batteries are the main factors responsible for personal and/or product damage.

⚠️ WARNING! Use only approved replacement batteries; other batteries may damage the cordless snow shovel and cause it to malfunction, which can lead to serious personal injury.

⚠️ WARNING! Do not use a battery pack or appliance that is damaged or modified. Damaged or modified batteries may exhibit unpredictable behavior resulting in fire, explosion or risk of injury.

Do not modify or attempt to repair the appliance or the battery pack except as indicated in the instructions for use and care.

Have your battery pack serviced by a qualified repair person using only identical replacement parts. This will ensure that the safety of the battery pack is maintained.

⚠️ CAUTION! To reduce the risk of injury, charge the iON+ 24V lithium-ion battery pack only in its designated iON+ 24V lithium-ion charger. Other types of chargers present risk of fire, personal injury and damage. Do not wire a battery pack to a power supply plug or car cigarette lighter. Such misuse will permanently disable or damage the battery pack.

- **Avoid dangerous environments** – Do not charge the battery pack in rain, snow or in damp or wet locations. Do not use the battery pack or charger in the presence of explosive atmospheres (gaseous fumes, dust or flammable materials) because sparks may be generated when inserting or removing the battery pack, which could lead to a fire.
- **Charge in a well-ventilated area** – Do not block the charger vents. Keep them clear to allow for proper ventilation. Do not allow smoking or open flames near a charging battery pack. Vented gases may explode.

NOTE: The safe temperature range for the battery is 41°F – 105°F (5°C – 40.5°C). Do not charge the battery outside in freezing weather; charge it at room temperature.

- **Maintain charger cord** – When unplugging the charger, pull the plug, not the cord, from the receptacle to reduce the risk of damage to the electrical plug and cord. Never carry the charger by its cord or yank it by the cord to disconnect it from the receptacle. Keep the cord away from heat, oil and sharp edges. Make sure the cord will not be stepped on, tripped over or subjected to damage or stress when the charger is in use. Do not use the charger with a damaged cord or plug. Replace a damaged charger immediately.
- **Do not use an extension cord unless it is absolutely necessary** – Using the wrong, damaged or improperly wired extension cord poses a risk of fire and electric shock. If an extension cord must be used, plug the charger into a properly wired 16 gauge or larger extension cord with the female plug matching the male plug on the charger. Make sure that the extension cord is in good electrical condition.
- **Charger XZ2600-0450 is rated for 100 – 240 volt AC only** – The charger must be plugged into an appropriate receptacle.
- **Use only recommended attachments** – Use of an attachment not recommended or sold by the battery charger or battery pack manufacturer may result in risk of fire, electric shock or personal injury.
- **Unplug charger when not in use** – Make sure to remove battery pack from unplugged charger.

⚠️ WARNING! To reduce the risk of electric shock, always unplug the charger before performing any cleaning or maintenance. Do not allow water to flow into the charger. Use a Ground Fault Circuit Interrupter (GFCI) to reduce shock hazards.

- **Do not burn or incinerate battery packs** – Battery packs may explode, causing personal injury or damage. Toxic fumes and materials are created when battery packs are burned.
- **Do not crush, drop or damage battery packs** – Do not use the battery pack or charger if they have sustained a sharp blow, been dropped, run over or have been damaged in any way (i.e. pierced with a nail, hit with a hammer, stepped on, etc.).
- **Do not disassemble** – Incorrect reassembly may pose a serious risk of electric shock, fire or exposure to toxic battery chemicals. If the battery or charger are damaged, contact an authorized Snow Joe® + Sun Joe® dealer or call the Snow Joe® + Sun Joe® customer service center at 1-866-SNOWJOE (1-866-766-9563) for assistance.
- **Battery chemicals cause serious burns** – Never let a damaged battery pack contact the skin, eyes or mouth. If a damaged battery pack leaks battery chemicals, use rubber or neoprene gloves to safely dispose of it. If skin is exposed to battery fluids, wash the affected area with soap and water and rinse with vinegar. If eyes are exposed to battery chemicals, immediately flush with water for 20 minutes and seek medical attention. Remove and dispose of contaminated clothing.
- **Do not short circuit** – A battery pack will short circuit if a metal object makes a connection between the positive

and negative contacts on the battery pack. Do not place a battery pack near anything that may cause a short circuit, such as paper clips, coins, keys, screws, nails and other metallic objects. A short-circuited battery pack poses a risk of fire and severe personal injury.

- **Store your battery pack and charger in a cool, dry place** – Do not store the battery pack or charger where temperatures may exceed 105°F (40.5°C), such as in direct sunlight or inside a vehicle or metal building during the summer.

Information about the battery

1. The battery pack supplied with your cordless snow shovel is only partially charged. The battery pack has to be charged completely before you use the tool for the first time.
2. For optimum battery performance, avoid low discharge cycles by charging the battery pack frequently.
3. Store the battery pack in a cool place, ideally at 77°F (25°C) and charged to at least 40%.
4. Lithium-ion batteries are subject to a natural aging process. The battery pack must be replaced at the latest when its capacity falls to just 80% of its capacity when new. Weakened cells in an aged battery pack are no longer capable of meeting the high power requirements needed for the proper operation of your snow shovel, and therefore pose a safety risk.
5. Do not throw battery packs into an open fire as this poses a risk of explosion.
6. Do not ignite the battery pack or expose it to fire.
7. Do not exhaustively discharge batteries. Exhaustive discharge will damage the battery cells. The most common cause of exhaustive discharge is lengthy storage or non-use of partially discharged batteries. Stop working as soon as the performance of the battery falls noticeably or the electronic protection system triggers. Place the battery pack in storage only after it has been fully charged.
8. Protect batteries and the tool from overloads. Overloads will quickly result in overheating and cell damage inside the battery housing even if this overheating is not apparent externally.
9. Avoid damage and shocks. Immediately replace batteries that have been dropped from a height of more than one meter or those that have been exposed to violent shocks, even if the housing of the battery pack appears to be undamaged. The battery cells inside the battery may have suffered serious damage. In such instances, please read the waste disposal information for proper battery disposal.
10. If the battery pack suffers overloading and overheating, the integrated protective cutoff will switch off the equipment for safety reasons.

IMPORTANT! Do not press the ON/OFF switch any more if the protective cut-off has been activated. This may damage the battery pack.

11. Use only original battery packs. The use of other batteries poses a fire risk and may result in injuries or an explosion.

Information about the charger and the charging process

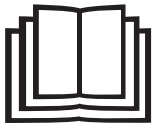













1. Please check the data marked on the rating plate of the battery charger. Be sure to connect the battery charger to a power supply with the voltage marked on the rating plate. Never connect it to a different mains voltage.
2. Protect the battery charger and its cord from damage. Keep the charger and its cord away from heat, oil and sharp edges. Have damaged cords repaired without delay by a qualified technician at an authorized Snow Joe® + Sun Joe® dealer or call the Snow Joe® + Sun Joe® customer service center at 1-866-SNOWJOE (1-866-766-9563).
3. Electrical plugs must match the outlet. Never modify the plug in any way. Do not use any adapter plugs with grounded appliances. Unmodified plugs and matching outlets will reduce the risk of electric shock.
4. Keep the battery charger, battery pack and the cordless tool out of the reach of children.
5. Do not use the supplied battery charger to charge other cordless tools.
6. During periods of heavy use, the battery pack will become warm. Allow the battery pack to cool to room temperature before connecting it to the charger to recharge.
7. Do not overcharge batteries. Do not exceed the maximum charging times. These charging times only apply to discharged batteries. Frequent connection of a charged or partially charged battery pack will result in overcharging and cell damage. Do not leave batteries connected with the charger for days on end.
8. Never use or charge batteries if you suspect that it has been more than 12 months since the last time they were charged. There is a high probability that the battery pack has already suffered dangerous damage (exhaustive discharge).
9. Charging batteries at a temperature below 41°F (5°C) will cause chemical damage to the cells and may cause a fire.
10. Do not use batteries that have been exposed to heat during the charging process, as the battery cells may have suffered dangerous damage.
11. Do not use batteries that have suffered curvature or deformation during the charging process or those that exhibit other atypical symptoms (gassing, hissing, cracking, etc.).
12. Never fully discharge the battery pack (maximum recommended depth of discharge is 80%). A complete discharge of the battery pack will lead to premature aging of the battery cells.

Protection from environmental influences

1. Wear suitable work clothes. Wear safety goggles.
2. Protect your cordless tool and the battery charger from moisture and rain. Moisture and rain can cause dangerous cell damage.
3. Do not use the cordless tool or the battery charger near vapors and flammable liquids.
4. Use the battery charger and cordless tools only in dry conditions and at an ambient temperature of 41°F – 105°F (5°C – 40.5°C).
5. Do not keep the battery charger in places where the temperature is liable to reach over 105°F (40.5°C). In particular, do not leave the battery charger in a car that is parked in the sunshine.
6. Protect batteries from overheating. Overloads, overcharging and exposure to direct sunlight will result in overheating and cell damage. Never charge or work with batteries that have been overheated – replace them immediately, if possible.
7. Store the charger and your cordless tool only in dry locations with an ambient temperature of 41°F – 105°F (5°C – 40.5°C). Store your lithium-ion battery pack in a cool, dry place at a temperature of 77°F (25°C). Protect the battery pack, charger and cordless tool from humidity and direct sunlight. Only place fully charged batteries in storage (charged to at least 40%).
8. Prevent the lithium-ion battery pack from freezing. Battery packs that were stored below 32°F (0°C) for more than 60 minutes must be discarded.
9. When handling batteries, be wary of electrostatic charge. Electrostatic discharges can damage the electronic protection system and the battery cells. Avoid electrostatic charging and never touch the battery poles.

Safety Symbols

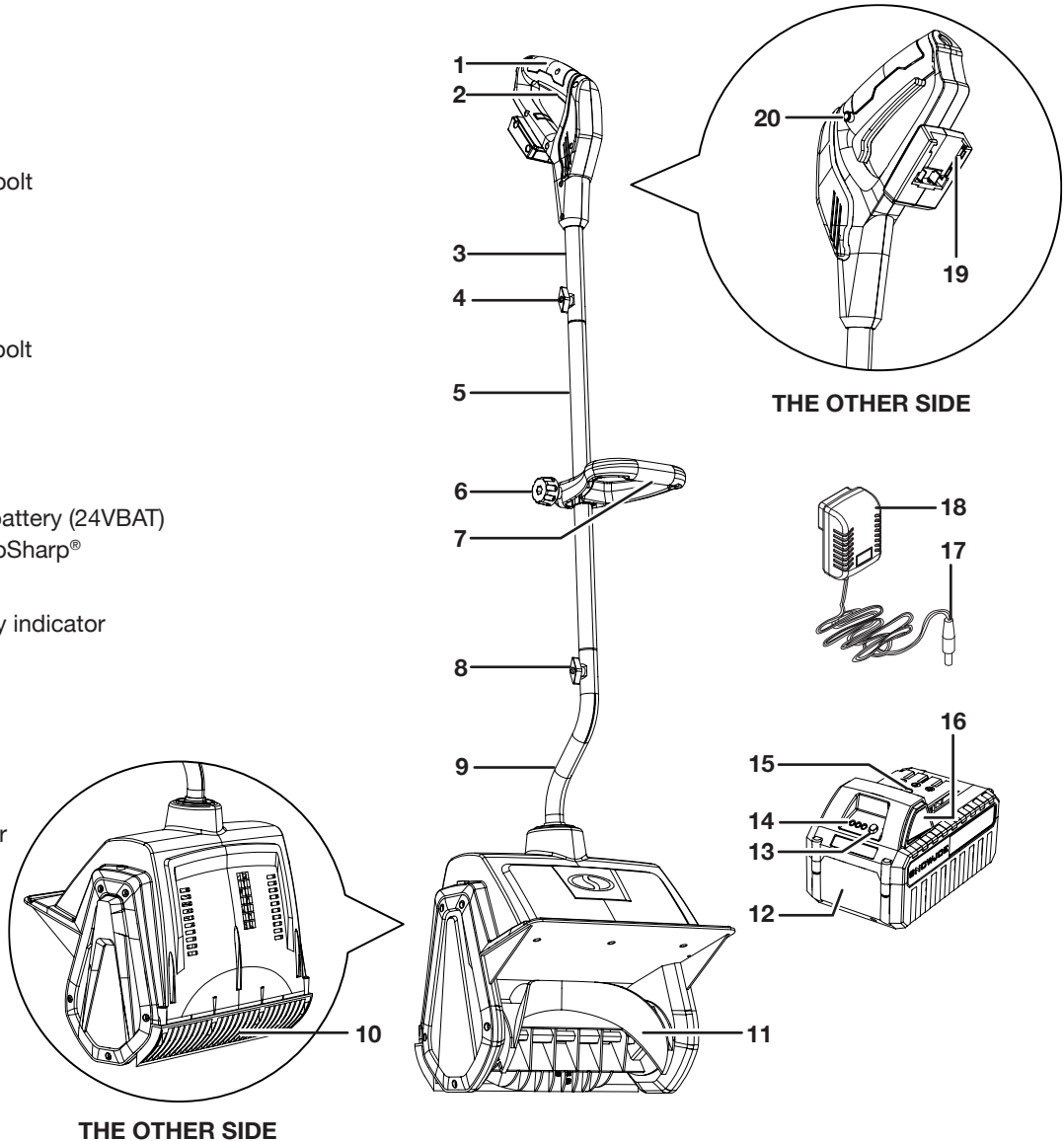
The following table depicts and describes safety symbols that may appear on this product. Read, understand and follow all instructions on the machine before attempting to assemble and operate.

Symbols	Descriptions	Symbols	Descriptions
	READ THE OPERATOR'S MANUAL(S) – Read, understand and follow all instructions in the user manual(s) before attempting to assemble and operate.		WARNING! Do not expose the unit to rain or wet conditions. Keep dry.
	SAFETY ALERT – Indicates a precaution, a warning or a danger.		DANGER! Cutting/dismemberment hazard - Keep feet away from the rotating auger.
	Wear hearing protection. Wear eye protection. Wear breathing protection.		CAUTION! Beware of stones and other foreign objects that could be thrown from the appliance.
	Wear safety gloves during use to protect hands.		Wear safety footwear at all times to provide protection against objects that may accidentally fall on feet.
	Do not use hands to unclog chute.		DANGER! Cutting/dismemberment hazard - Keep hands away from the rotating auger. Do not use hands to unclog rotor housing. Stop motor before removing debris.
	Keep hands, feet and clothing away from the rotating auger to avoid injury.		Keep bystanders and children a safe distance (at least 11 yd/10 m) away from the work area.
	The rotating part will continuously run for several seconds after you turn off the machine.		Indoor use only. Only use battery charger indoors.

Know Your Cordless Snow Shovel

Read the owner's manual and safety rules carefully before operating your cordless snow shovel. Compare the illustration below to the actual unit in order to familiarize yourself with the location of the various controls and adjustments. Save this manual for future reference.

1. Upper handle
2. ON/OFF switch
3. Upper pole
4. Upper handle knob + bolt
5. Middle pole
6. Auxiliary handle knob
7. Auxiliary handle
8. Lower handle knob + bolt
9. Lower pole
10. Scraper bar
11. Shovel blade
12. iON+ 24V lithium-ion battery (24VBAT) featuring exclusive EcoSharp® technology
13. Push button for battery indicator
14. Battery indicator
15. Charge socket
16. Push lock button
17. Charger plug
18. 24V lithium-ion charger (XZ2600-0450)
19. Battery compartment
20. Safety switch



Technical Data

Motor	400 W	Rotor	2-blade plastic paddle auger
Battery Voltage Max*	24V D.C.	No Load Speed	1650 ± 10% rpm
Battery Capacity	4.0 Ah	Clearing Width	13 in. (33 cm)
Battery Runtime Max	1 hr 10 min	Depth of Snow Cut	6 in. (15 cm)
	(clears up to 2,900 sq ft of 3 in. snow)	Throw Distance Max	20 ft (6 m)
Charger Input	100 – 240 V AC, 50 ~ 60 Hz, 19 W	Plowing Capacity Max	300 lbs/min (136 kg/min)
Charger Output	24V DC, 500 mA	Net Weight	13 lbs (5.9 kg)
Charge Time Max	5 hours		

*Initial no-load voltage, when fully charged, peaks at 24 volts; nominal voltage under typical load is 21.6 volts.

Unpacking

Carton Contents

- Cordless snow shovel upper pole assembly
- Cordless snow shovel lower pole assembly
- Cordless snow shovel middle pole assembly
- Pole knob and bolt (2 sets)
- iON+ 24V lithium-ion battery
- iON+ 24V lithium-ion battery charger
- Manuals with registration card

1. Carefully remove the cordless snow shovel and check to see that all of the above items are supplied.
2. Inspect the product carefully to make sure no breakage or damage occurred during shipping. If you find damaged or missing parts, DO NOT return the unit to the store. Please call the Snow Joe® + Sun Joe® customer service center at 1-866-SNOWJOE (1-866-766-9563).

NOTE: Do not discard the shipping carton and packaging material until you are ready to use your new cordless snow shovel. The packaging is made of recyclable materials. Properly dispose of these materials in accordance with local regulations.

IMPORTANT! The equipment and packaging material are not toys. Do not let children play with plastic bags, foils or small parts. These items can be swallowed and pose a suffocation risk!

Battery Pack Operation





The equipment is powered by a lithium-ion battery. The battery pack is completely sealed and maintenance free.

⚠️ WARNING! Before first use, the battery requires at least 5 hours charge time to be fully charged. When the battery is at low capacity, recharge for 5 hours again before resuming operation.

Battery Charge Level Indicator

The battery pack is equipped with a push button for checking the charge level. Simply press the push button to read off the battery charge level from the LEDs of the battery indicator:

- All 3 level monitoring LEDs are lit: Battery charge level is high.
- 2 level monitoring LEDs are lit: Battery charge level is decreasing. Stop work as soon as possible.
- 1 level monitoring LED is lit: Battery is flat. Stop work IMMEDIATELY and charge the battery. Otherwise the battery's service life will be greatly shortened.

Lights	Light Indicators
	Charge level button
	The battery is at 30% capacity and requires charging
	The battery is at 60% capacity and requires charging soon
	The battery is at full capacity

NOTE: If the charge level button does not appear to be working, connect the battery to the charger and charge as needed.

NOTE: Immediately after using the battery pack, the charge level button may display a lower charge than it will if checked a few minutes later. The battery cells "recover" some of their charge after resting.

Charger Operation

⚠️ WARNING! Charge only iON+ 24V lithium-ion battery packs with their compatible iON+ 24V lithium-ion charger. Other types of batteries may cause personal injury and damage.

To reduce the risk of electric shock, do not allow water to flow into the charger's AC/DC plug.

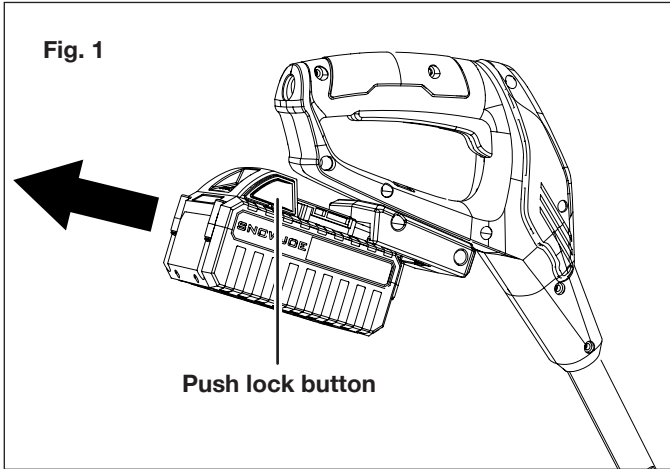
When to Charge the iON+ 24VBAT Lithium-Ion Battery

NOTE: The iON+ 24VBAT lithium-ion battery packs do not develop a "memory" when charged after only a partial discharge. Therefore, it is not necessary to run down the battery pack before placing it into the charger.

- Use the battery charge indicator lights to determine when to charge your iON+ 24VBAT lithium-ion battery pack.
- You can "top-off" your battery pack's charge before starting a big job or after a long day of use.

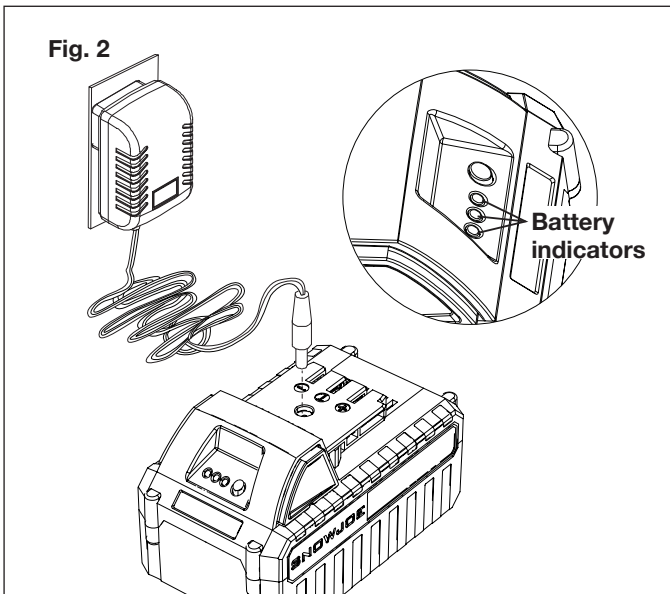
Charging the Battery

1. Press the push lock buttons on the battery to pull the battery pack out of the equipment (Fig. 1).



2. Check that the mains voltage is the same as that marked on the rating plate of the battery charger. Then, plug the charger adapter into an appropriate AC power outlet. Connect the charger plug into the charge socket of the battery to start charging (Fig. 2).

NOTE: If the plug does not fit the outlet or for connection to a supply not in the U.S.A., use an attachment plug adapter of the proper configuration for the power outlet.



3. The battery will take approximately 5 hours to charge. The battery indicator LEDs will twinkle and illuminate one by one during the charging process. Unplug the charger immediately when the 3 LEDs are all illuminated.

⚠ CAUTION! FIRE HAZARD. When disconnecting the charger from the battery, be sure to unplug the charger from the outlet first, then disconnect the charger from the battery

⚠ WARNING! This charger does not automatically turn off when the battery is fully charged. Please take care not to leave the battery plugged into the charger. Switch off or unplug the charger at the mains when charging is complete.

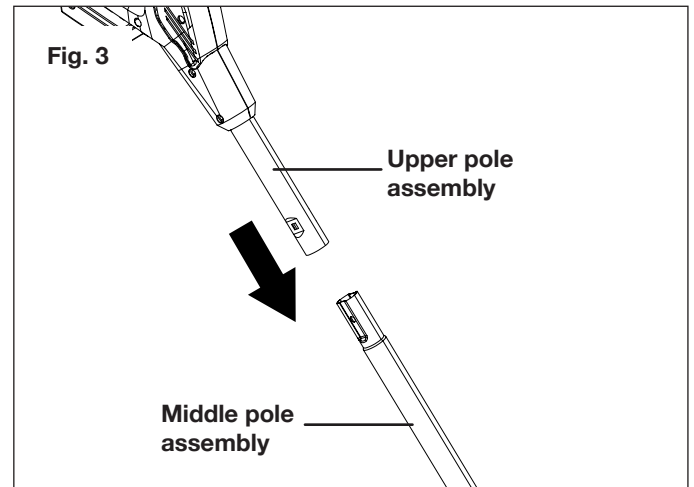
4. Timely recharging of the battery will help prolong the battery's life. You must recharge the battery pack when you notice a drop in the equipment's power.

IMPORTANT! Never allow the battery pack to become fully discharged as this will cause irreversible damage to the battery.

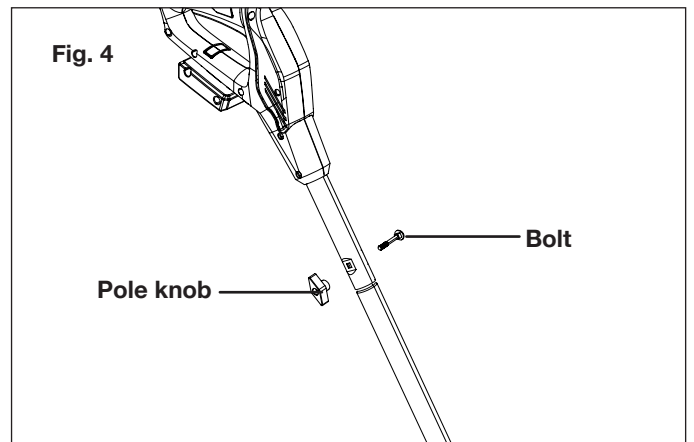
Assembly

Connecting the Poles

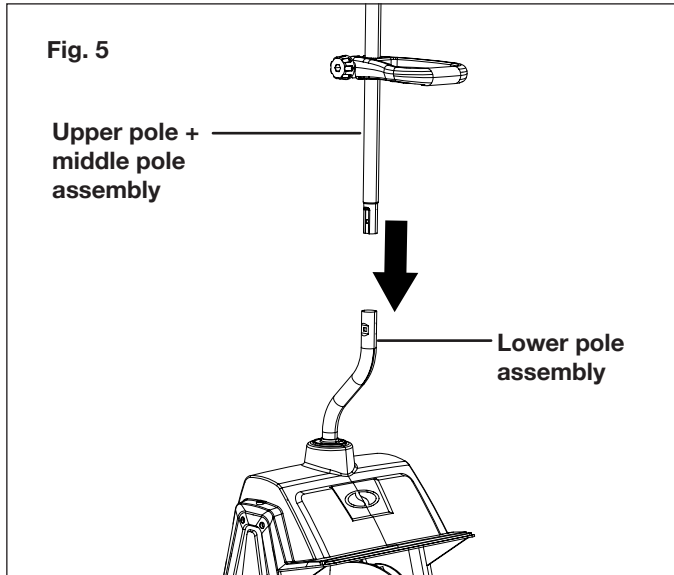
1. Connect the upper pole assembly with the middle pole assembly. Align the screw holes (Fig. 3).



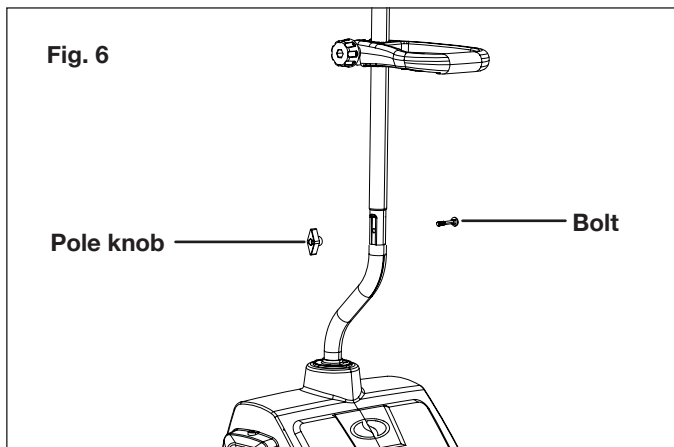
2. Insert a bolt through the aligned holes in the poles and secure the other end with a knob (Fig. 4). Twist until tight.



3. Connect the upper pole + middle pole assembly with the lower pole assembly. Align the screw holes (Fig. 5).



4. Insert a bolt through the aligned holes in the poles and secure the other end with a knob (Fig. 6). Twist until tight.



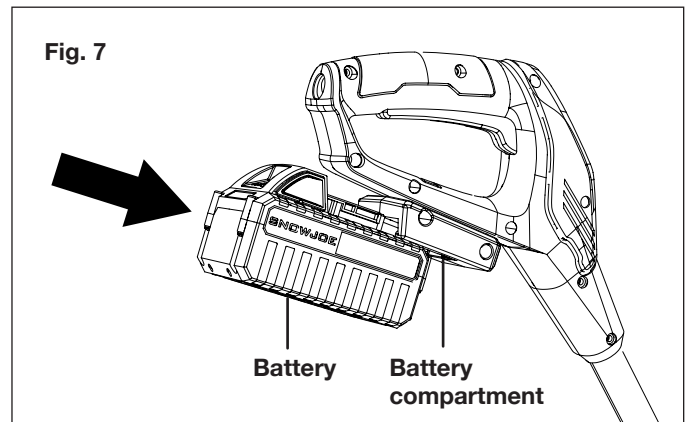
NOTE: To avoid the wiring inside the poles intervening the assembly, make sure to connect the upper pole assembly and the middle pole assembly first. You may have to carefully move the wiring inside the poles to one side when inserting the bolt.

Operation

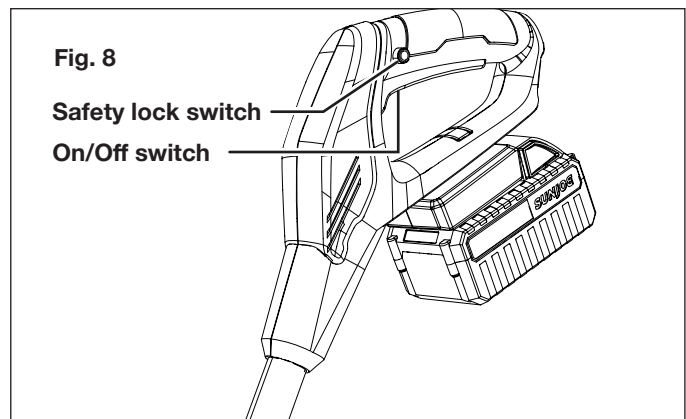
⚠ WARNING! Keep the area to be cleared free of stones, toys or other foreign objects that the rotor blades might pick up and throw. Such items could be covered by snow and are easy to overlook, so be sure to conduct a thorough inspection of the area before beginning work.

Starting the Machine

1. Slide the battery down in the battery compartment until it clicks to lock it into position (Fig. 7).



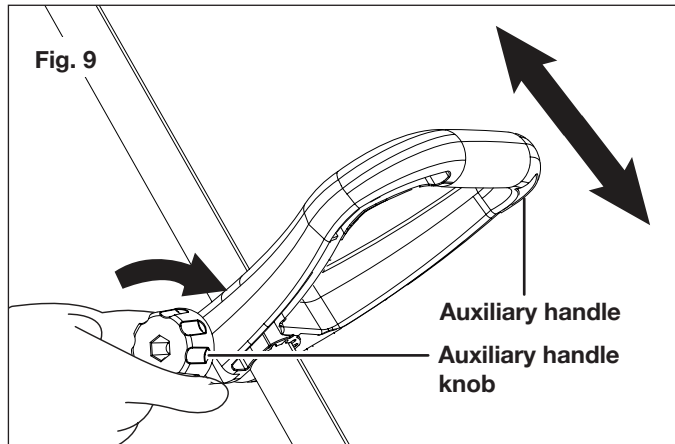
2. To start the cordless snow shovel, push and hold the safety lock switch on the side of the handle grip with your thumb and then squeeze the On/Off switch with your fingers. Once the machine powers on, you can release the safety lock switch and proceed with operation (Fig. 8).



3. To stop the cordless snow shovel, release the On/Off switch.

Positioning the Auxiliary Handle

1. Loosen the auxiliary handle knob.
2. Move the auxiliary handle to a comfortable working position (Fig. 9).
3. Tighten the auxiliary handle knob (Fig. 9).



NOTE: In order to prevent the auxiliary handle from moving around or sliding on the pole, be sure to tighten securely.

Operating Tips

- Start the cordless snow shovel. Push the shovel forward at a comfortable rate, yet slow enough to clear the path completely. The clearing width of the snow shovel and the depth of snowfall should dictate your forward speed.
- Direct the snow discharge to the right or to the left by holding the cordless snow shovel at a slight angle.
- To remove snow most efficiently, throw the snow downwind and slightly overlap each swath.
- If you need to clear snow from a crushed rock or gravel surface, push down on the handle to keep the scraper bar clear of any loose material that the rotor blades could throw.
- This cordless snow shovel cuts a path 13 in. (33 cm) wide and up to 6 in. (15 cm) deep in one pass.
- When clearing deeper drifts, hold the cordless snow shovel by the upper and lower handles and use a swinging or sweeping motion. Remove up to 6 in. (15 cm) of snow with each pass and repeat as many times as needed.
- Remove the battery after using the cordless snow shovel. Hang the shovel so it will not be misplaced or damaged.

Maintenance

To order genuine replacement parts or accessories for the Snow Joe® 24V-SS13 cordless snow shovel, please visit snowjoe.com or contact the Snow Joe® + Sun Joe® customer service center at 1-866-SNOWJOE (1-866-766-9563).

Proper Care for Battery + Charger

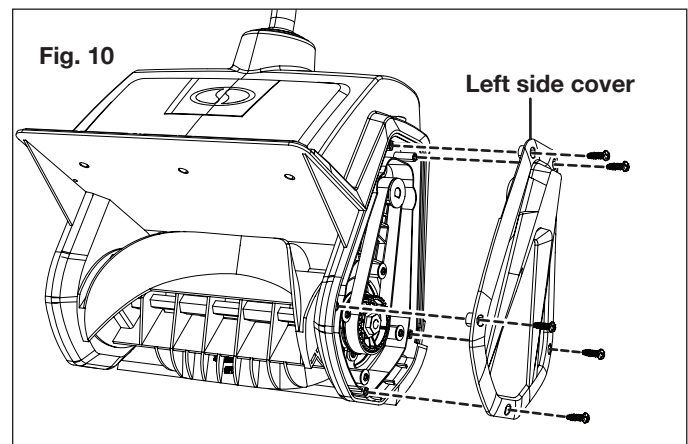
⚠ WARNING! To reduce the risk of injury, always unplug the charger and disconnect the battery pack from the charger before performing any maintenance task. Never disassemble the battery pack or charger. Contact your Snow Joe® + Sun Joe® dealer or the Snow Joe® + Sun Joe® customer service center for ALL repairs.

1. To reduce the risk of injury and damage, never immerse your battery pack or charger in liquid or allow any liquid to flow inside these components.
2. Clean out dust and debris from charger vents and electrical contacts by blowing with compressed air.
3. Use only mild soap on a damp cloth to clean the battery pack and charger, keeping away from all electrical contacts. Certain cleaning agents and solvents are harmful to plastics and other insulated parts. Some of these include gasoline, turpentine, lacquer thinner, paint thinner, chlorinated cleaning solvents, ammonia and household detergents containing ammonia. Never use flammable or combustible solvents around battery packs, battery chargers or tools.
4. The iON+ 24V lithium-ion battery charger has no serviceable parts.

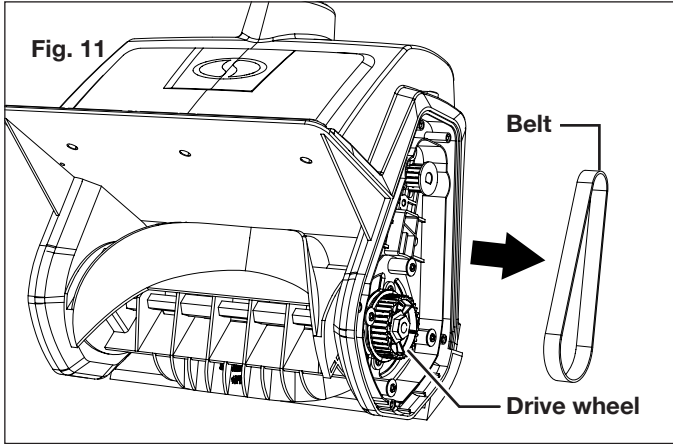
Replacing the Auger

⚠ WARNING! Make sure to turn off the unit and remove the battery before performing any maintenance task on your cordless snow shovel.

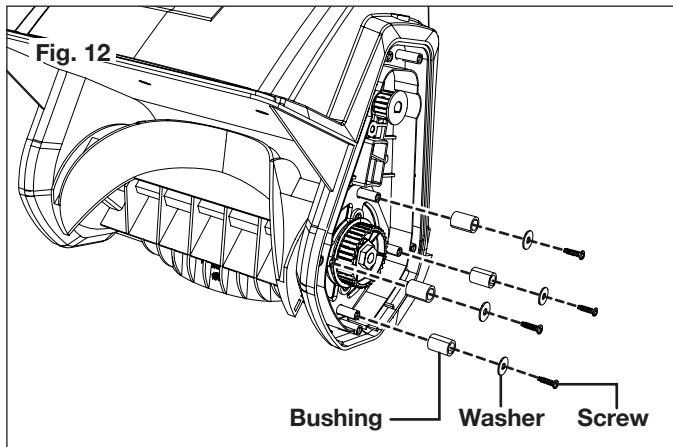
1. Disassemble the left side cover by removing the five (5) screws that hold it in place (Fig. 10).



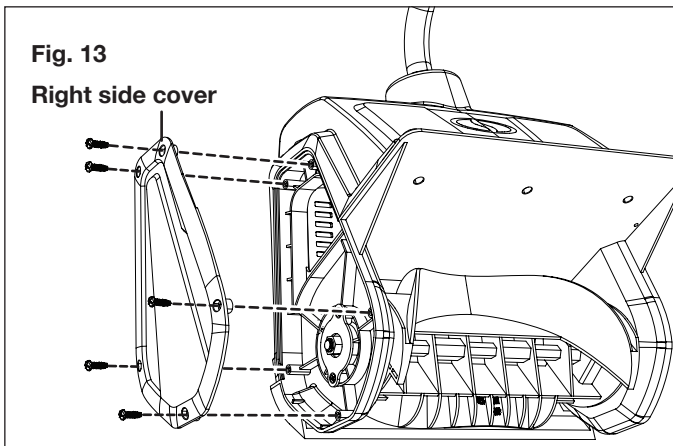
2. Remove the belt from the drive wheel (Fig. 11).



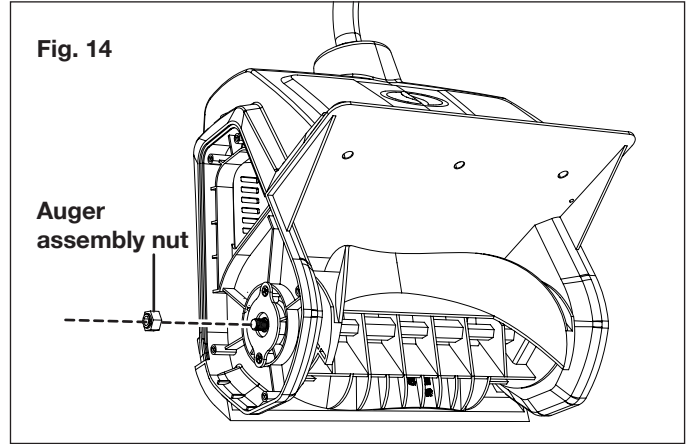
3. Remove the screws, the washers, and the bushings from the drive wheel (Fig. 12).



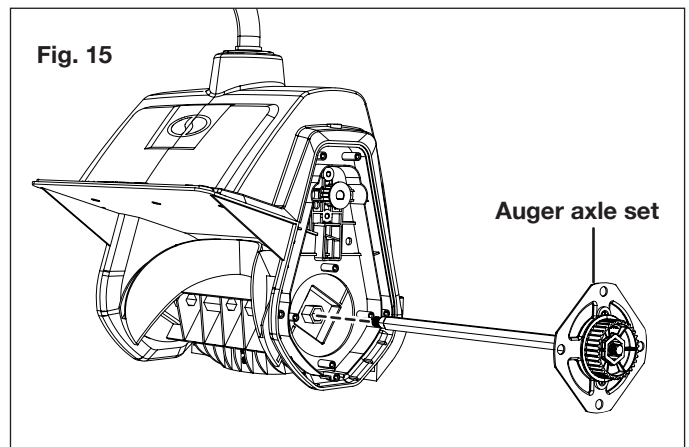
4. Disassemble the right side cover by removing the five (5) screws that hold it in place (Fig. 13).



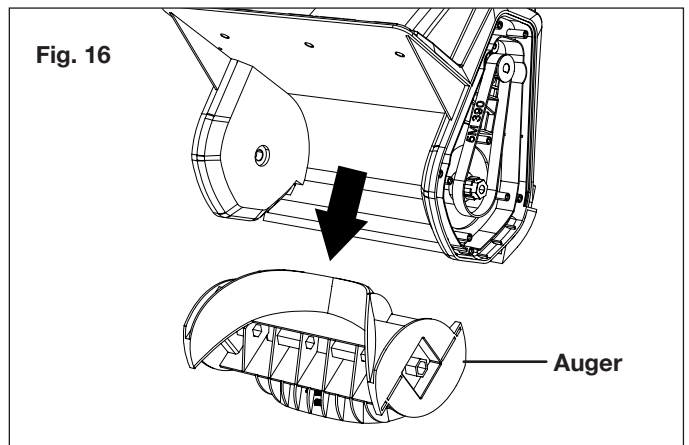
5. Use one hand to secure the auger, at the same time, use the other hand to remove the auger assembly nut on the right side. (Fig. 14).



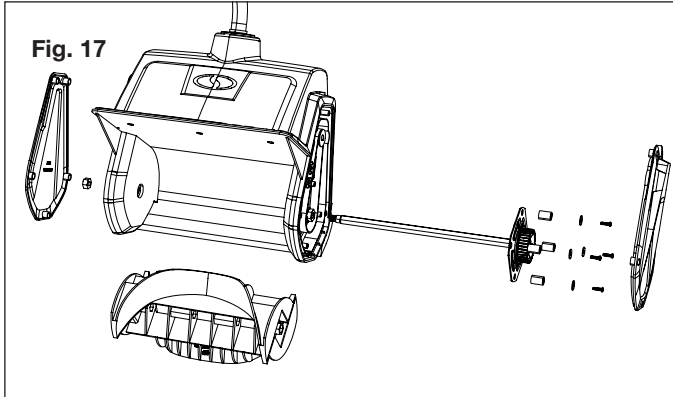
6. From the left side, remove the auger axle set (Fig. 15).



7. Remove the old auger from the housing (Fig. 16).



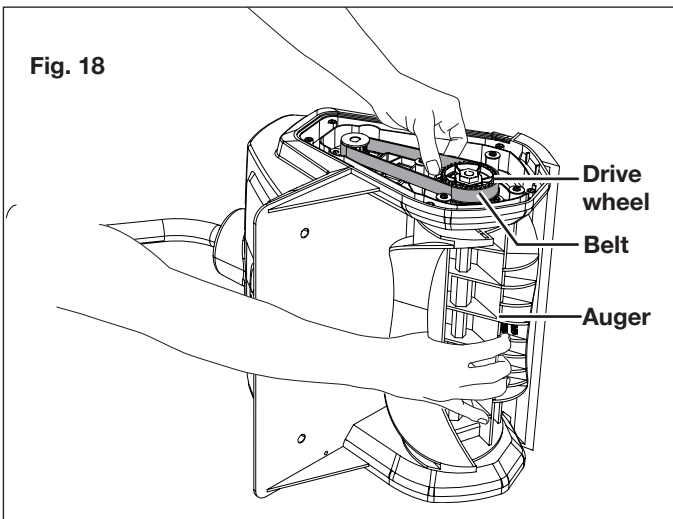
8. Install the replacement auger by following the above steps in reverse order (Fig. 17).



Replacing the Belt

⚠ WARNING! Make sure to turn off the unit and remove the battery before performing any maintenance task on your cordless snow shovel.

1. Disassemble the left side cover by removing the five (5) screws that hold it in place (Fig. 10).
2. To remove the old belt from the drive wheel, use one hand to slowly turn the auger while use the other hand to lift the belt (Fig. 18).

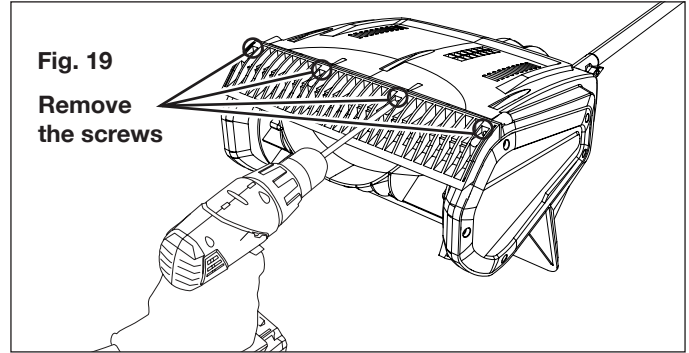


3. Replace a new belt in place. Place the left side cover back into position and refasten the five (5) screws.

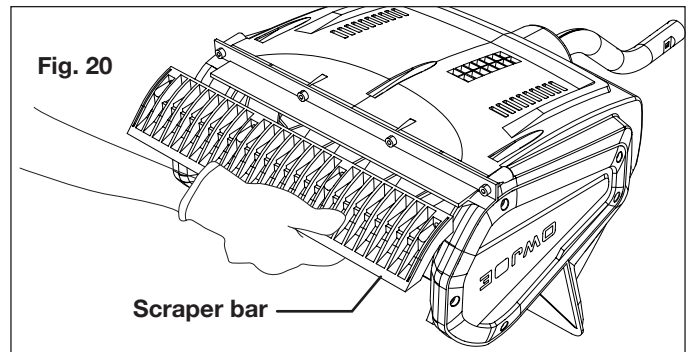
Replacing the Scraper Bar

⚠ WARNING! Make sure to turn off the unit and remove the battery before performing any maintenance task on your cordless snow shovel.

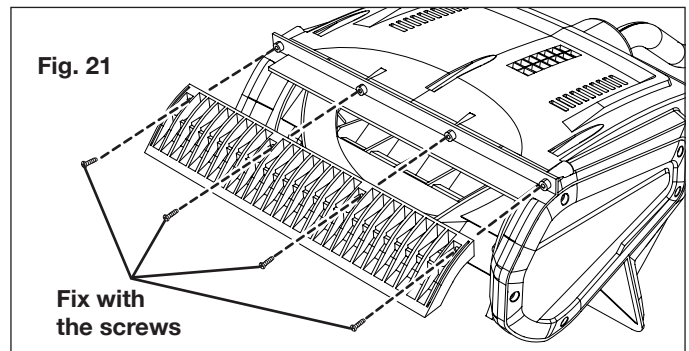
1. Turn the snow shovel over. Using a drill, remove the four (4) screws that secure the scraper bar to the base of the unit (Fig. 19).



2. Remove the old scraper bar (Fig. 20).



3. Install the new scraper bar and fasten it securely to the housing with the four (4) screws (Fig. 21).



Lubricating the Cordless Snow Shovel

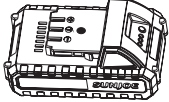
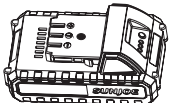
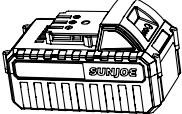
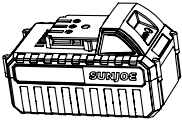

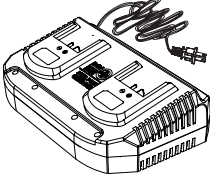

This cordless snow shovel does not need lubrication. All bearings are lubricated at the factory for the life of the product.

Storage

1. Examine the cordless snow shovel thoroughly for worn, loose or damaged parts. Should you need to repair or replace a part, contact an authorized Snow Joe® + Sun Joe® dealer or call the Snow Joe® + Sun Joe® customer service center at 1-866-SNOWJOE (1-866-766-9563) for assistance.
2. Remove the battery from the cordless snow shovel before storing.

Optional Accessories

⚠️ WARNING! ALWAYS use only authorized Snow Joe® + Sun Joe® replacement parts and accessories. NEVER use replacement parts or accessories that are not intended for use with this cordless snow shovel. Contact Snow Joe® + Sun Joe® if you are unsure whether it is safe to use a particular replacement part or accessory with your cordless snow shovel. The use of any other attachment or accessory can be dangerous and could cause injury or mechanical damage.

Accessories	Item	Model
	iON+ 24V 2.0 Ah Lithium-Ion Battery <i>Battery Runtime Max: 35 min (clears up to 1,720 sq ft of 3 in. of snow)</i>	24VBAT-LTE
	iON+ 24V 2.5 Ah Lithium-Ion Battery <i>Battery Runtime Max: 40 min (clears up to 2,045 sq ft of 3 in. of snow)</i>	24VBAT-LT
	iON+ 24V 4.0 Ah Lithium-Ion Battery <i>Battery Runtime Max: 1 hr 10 min (clears up to 2,900 sq ft of 3 in. of snow)</i>	24VBAT
	iON+ 24V 5.0 Ah Lithium-Ion Battery <i>Battery Runtime Max: 1 hr 20 min (clears up to 3,550 sq ft of 3 in. of snow)</i>	24VBAT-XR
	iON+ 24V Lithium-Ion Battery Quick Charger	24VCHRG-QC
	iON+ 24V Lithium-Ion Dual-Port Battery Charger	24VCHRG-DPC
	Universal 13-inch snow shovel protective cover	SJCVR-13

NOTE: Accessories are subject to change without any obligation on the part of Snow Joe® + Sun Joe®. Accessories can be ordered online at snowjoe.com or via phone by contacting the Snow Joe® + Sun Joe® customer service center at 1-866-SNOWJOE (1-866-766-9563).



SNOW JOE® + SUN JOE® CUSTOMER PROMISE

ABOVE ALL ELSE, Snow Joe, LLC (“Snow Joe”) is dedicated to you, our customer. We strive to make your experience as pleasant as possible. Unfortunately, there are times when a Snow Joe®, Sun Joe®, or Aqua Joe® product (“Product”) does not work or breaks under normal operating conditions. We think it’s important that you know what you can expect from us. That’s why we have a Limited Warranty (“Warranty”) for our Products.

OUR WARRANTY:

Snow Joe warrants new, genuine, powered and non-powered Products to be free from defects in material or workmanship when used for ordinary household use for a period of two years from the date of purchase by the original, end-user purchaser when purchased from Snow Joe or from one of Snow Joe’s authorized sellers with proof of purchase. Because Snow Joe is unable to control the quality of its Products sold by unauthorized sellers, unless otherwise prohibited by law, this Warranty does not cover Products purchased from unauthorized sellers. If your Product does not work or there’s an issue with a specific part that is covered by the terms of this Warranty, Snow Joe will elect to either (1) send you a free replacement part, (2) replace the Product with a new or comparable product at no charge, or (3) repair the Product. How cool is that!

This Warranty gives you specific legal rights, and you may also have other rights which vary from State to State.

PRODUCT REGISTRATION:

Snow Joe strongly encourages you to register your Product. You can register online at snowjoe.com/register, or by printing and mailing in a registration card available online from our website, or calling our Customer Service Department at **1-866-SNOWJOE (1-866-766-9563)**, or by e-mailing us at help@snowjoe.com. Failure to register your Product will not diminish your warranty rights. However, registering your Product will allow Snow Joe to better serve you with any of your customer service needs.

WHO CAN SEEK LIMITED WARRANTY COVERAGE:

This Warranty is extended by Snow Joe to the original purchaser and original owner of the Product.

WHAT IS NOT COVERED?

This Warranty does not apply if the Product has been used commercially or for non-household or rental applications. This Warranty also does not apply if the Product was purchased from an unauthorized seller. This Warranty also does not cover cosmetic changes that do not affect performance. Wearing parts like belts, augers, chains and tines are not covered under this Warranty, and can be purchased at snowjoe.com or by calling **1-866-SNOWJOE (1-866-766-9563)**.



SNOWJOE®

SP

PALA QUITANIEVE INALÁMBRICA

24 V MÁX.* | 4.0 Ah | 33 CM

MANUAL DEL OPERADOR

Una división de Snow Joe®, LLC

Modelo 24V-SS13

Forma N° SJ-24V-SS13-880S-MR2

¡IMPORTANTE!


Instrucciones de seguridad

Todos los operadores deberán leer estas instrucciones antes del uso

Lea todas las instrucciones antes de usar esta pala quitanieve inalámbrica. Tendrán que tomarse siempre las precauciones que se indican a continuación para reducir riesgos de incendios, choques eléctricos o lesiones personales.


¡ADVERTENCIAS generales de seguridad!

Usted y cualquier otro operador de esta pala quitanieve deberán leer, entender y seguir estas instrucciones en su totalidad, y deberán volver a leerlas al inicio de cada temporada de nieve. No seguir todas las instrucciones puede causar un CHOQUE ELÉCTRICO, INCENDIO y/o lesiones personales GRAVES.

Preste atención al símbolo  de alerta de seguridad personal usado en este manual para enfocar su atención a una ADVERTENCIA dada junto a una instrucción de operación particular. Esto significa que la operación requiere ATENCIÓN, PRECAUCIÓN y CAUTELA especiales.

- 1. Mantenga el área de trabajo limpia y bien iluminada:** las áreas de trabajo abarrotadas u oscuras pueden provocar accidentes.
- 2. Utilice las herramientas apropiadas:** no utilice esta máquina para ningún otro trabajo excepto para el cual está destinada.
- 3. Partes de repuesto:** al reparar la pala quitanieve inalámbrica, utilice solamente partes de repuesto idénticas. Si el cable de su cargador está dañado, reemplácelo o repárelo inmediatamente. No use la pala quitanieve inalámbrica en superficies de grava a menos que haya sido modificada para dichas superficies, de acuerdo al manual del operador.
- 4. Mantenga alejados a los niños y mascotas:** todos los espectadores, incluyendo niños y mascotas, deberán estar a una distancia segura del área de trabajo.
- 5. Vístase apropiadamente:** no lleve prendas holgadas ni joyas. Pueden engancharse en las partes móviles. Use

botas de goma. La pala quitanieve inalámbrica no debe operarse siendo sostenida con la mano excepto cuando las instrucciones proporcionadas en este manual así lo permitan.

- 6. Evite encendidos accidentales:** asegúrese de que el interruptor de seguridad y el interruptor de encendido/apagado estén en la posición de apagado antes de insertar la batería en la unidad. No lleve la pala quitanieve inalámbrica con el interruptor de seguridad y el interruptor de encendido/apagado activados.
- 7. Partes móviles:** mantenga alejados sus pies y manos de las partes móviles. Mantenga los protectores en su lugar y funcionando apropiadamente.
- 8.  ¡PRECAUCIÓN!** Tenga cuidado y evite resbalar o caer. Utilice calzado protector que proteja sus pies y mejore su posición de pie en superficies resbaladizas.
- 9. Use gafas protectoras:** use también calzado protector, ropa que se ajuste a su cuerpo, guantes protectores y protección auditiva y para la cabeza.
- 10. Manténgase alerta:** vea lo que está haciendo. Utilice su sentido común. No opere esta pala quitanieve inalámbrica si usted está cansado o bajo la influencia del alcohol o las drogas.
- 11. No fuerce la herramienta:** tendrá un mejor funcionamiento con menos probabilidades de lesiones personales o fallas mecánicas si es usada con la intensidad para la cual fue diseñada.
- 12. No adopte una postura inclinada:** mantenga con sus pies una posición y un balance adecuados todo el tiempo.
- 13. Si la pala quitanieve inalámbrica golpea un objeto extraño, siga estas instrucciones:**
 - **Detenga la pala quitanieve inalámbrica. Retire la batería.**
 - **Inspecciónela para ver si existen daños; y**
 - **Repare cualquier daño antes de volver a encender la pala quitanieve.**
- 14. Desconecte la herramienta:** mueva el interruptor a la posición de apagado y retire la batería de la herramienta cuando esta no esté siendo usada, antes de ser reparada, al cambiarle accesorios, o al realizarle cualquier otra tarea de mantenimiento.
- 15. Guarde la herramienta inactiva en interiores:** cuando no esté siendo usada, esta pala quitanieve inalámbrica deberá guardarse bajo techo y en un lugar seco, bajo llave, y lejos del alcance de los niños.

- 16. Cuide su pala quitanieve inalámbrica:** siga las instrucciones aplicables de mantenimiento para el reemplazo de partes y cambio de accesorios. No se requiere lubricación

⚠ Este es el símbolo de alerta de seguridad. Es usado para alertarle de potenciales peligros de lesiones personales. Obedezca todos los mensajes de seguridad junto a este símbolo para evitar posibles lesiones personales o la muerte.

El uso o mantenimiento incorrecto de esta pala quitanieve inalámbrica puede causar lesiones personales o la muerte. Para reducir este riesgo, obedezca las siguientes instrucciones de seguridad.

Esta pala quitanieve inalámbrica puede amputar manos y pies si no se usa correctamente. Puede también recoger objetos extraños que pueden convertirse en proyectiles peligrosos al ser lanzados al aire. No seguir las siguientes instrucciones de seguridad podría causar lesiones personales graves.

Capacitación

- Lea, entienda y siga todas las instrucciones en la máquina y en el manual antes de empezar a operar esta unidad. Familiarícese a fondo con los controles y el uso correcto del equipo. Sepa cómo detener la unidad y desactivar los controles rápidamente.
- Los niños nunca deben tener acceso a la unidad. Los adultos nunca deben operar la unidad sin antes leer y entender cuidadosamente estas instrucciones.
- Mantenga el área de trabajo libre de personas, particularmente niños pequeños y mascotas.
- Tenga cuidado y evite resbalarse o caerse.

Preparación

- Inspeccione cuidadosamente el área donde esta pala quitanieve inalámbrica será utilizada y retire todos los felpudos, trineos, tablas, alambres y demás objetos extraños.
- No opere esta pala quitanieve inalámbrica sin usar una vestimenta de invierno adecuada. Evite usar prendas de vestir holgadas que puedan engancharse en las partes móviles. Utilice calzado que mejore su posición de pie en superficies resbaladizas.
- No intente retirar nieve de una superficie de grava o de roca triturada. Este producto está destinado para su uso solo en superficies pavimentadas.
- Nunca intente realizar ningún ajuste mientras el motor esté funcionando (excepto cuando sea específicamente recomendado por el fabricante).
- Use siempre gafas de seguridad o protección ocular durante la operación, o mientras realice cualquier ajuste o

reparación, para proteger sus ojos de objetos extraños que puedan ser arrojados por la máquina.

Operación

- No ponga sus manos o pies cerca o debajo de las partes giratorias. Manténgase alejado de la abertura de descarga en todo momento.
- Tenga mucho cuidado al operar sobre, o cruzando, senderos de grava, aceras o caminos. Manténgase alerta ante peligros ocultos o tráfico.
- Después de golpear un objeto extraño, detenga el motor. Inspeccione detenidamente la pala quitanieve inalámbrica en busca de cualquier daño, y repárela antes de reiniciarla y operarla.
- Si la unidad empieza a vibrar de manera anormal, detenga el motor e inspeccione inmediatamente la unidad para determinar la causa de la vibración. Las vibraciones generalmente son señales de problemas.
- Detenga el motor y retire la batería siempre que deje su posición de operación, al transportar la unidad, antes de desatascar la carcasa del rotor y al realizar cualquier trabajo de reparación, ajuste e inspección en la unidad.
- Al limpiar, reparar o inspeccionar la pala quitanieve inalámbrica, asegúrese de que todas las partes móviles se hayan detenido por completo antes de empezar a trabajar.
- Tenga mucho cuidado al operar en pendientes.
- Nunca opere la pala quitanieve inalámbrica sin protectores y otros dispositivos de seguridad adecuados instalados y funcionando correctamente.
- Nunca dirija la descarga hacia la gente o hacia áreas donde puedan ocurrir daños materiales. Mantenga a los niños, mascotas y otros espectadores lejos del área de trabajo.
- No sobrecargue la capacidad de la máquina intentando retirar la nieve demasiado rápido.
- Mire hacia atrás y tenga cuidado al retroceder con la pala quitanieve inalámbrica.
- Nunca opere la pala quitanieve inalámbrica sin buena visibilidad o luz. Siempre esté atento a dónde usted esté pisando, y mantenga las empuñaduras firmemente sujetas con ambas manos. Camine con esta unidad, nunca corra.

Desatascamiento de carcasa de rotor

El contacto de la mano con las hojas dentro de la carcasa del rotor es la causa más usual de lesiones personales asociadas con palas quitanieve inalámbricas. Nunca use sus manos para despejar la carcasa del rotor atascada.

Para despejar la carcasa del rotor:

- Apague el motor y retire la batería.
- Espere 10 segundos para asegurarse de que las hojas del rotor se hayan detenido por completo.

- Use siempre una herramienta de limpieza, NUNCA SUS MANOS, para limpiar las hojas del rotor.

Mantenimiento y almacenamiento

- Verifique frecuentemente todos los sujetadores para comprobar un ajuste correcto y asegurarse de que el equipo esté en condiciones de trabajo seguras.
- Consulte siempre el manual del operador para información importante, tal como el almacenamiento correcto de su pala quitanieve inalámbrica por un periodo prolongado.
- Conserve o reemplace las etiquetas de seguridad y de instrucciones según sea necesario.
- Haga funcionar la máquina unos cuantos minutos luego de quitar nieve para evitar que las hojas del rotor se congelen.

Instrucciones de seguridad para la batería y el cargador

Prestamos mucha atención al diseño de cada batería para garantizar la producción de baterías seguras y durables, con una alta densidad de energía. Las celdas de las baterías tienen varios dispositivos de seguridad. Cada celda individual es inicialmente formateada y sus curvas eléctricas características son registradas. Estos datos son luego usados exclusivamente para ensamblar las mejores baterías posibles.

Independientemente de todas las precauciones de seguridad, se debe tener mucho cuidado al manipular las baterías. Las siguientes instrucciones deben ser obedecidas en todo momento para garantizar un uso seguro. Un uso seguro solo puede ser garantizado si se usan celdas libres de daños. Una manipulación incorrecta de las baterías puede causar daños en sus celdas.

¡IMPORTANTE! Los análisis han confirmado que el uso incorrecto y el cuidado deficiente de baterías de alto rendimiento son las causas principales de lesiones personales y/o daños al producto.

⚠ ¡ADVERTENCIA! Use solo baterías de repuesto aprobadas. Otras baterías pueden dañar esta pala quitanieve inalámbrica y provocar un desperfecto que pueda causar lesiones personales severas.

⚠ ¡ADVERTENCIA! No use baterías o artefactos que hayan sido dañados o modificados. Las baterías dañadas o modificadas pueden reaccionar de forma impredecible, causando un incendio, explosión, o riesgo de lesiones personales.

No modifique ni intente reparar el artefacto o la batería, a menos que lo haga según lo indicado en las instrucciones de uso y cuidado.


Haga reparar su batería por un técnico calificado empleando solo partes de repuesto idénticas. Esto garantizará que la seguridad de las baterías se mantenga intacta.

⚠ ¡PRECAUCIÓN! Para reducir el riesgo de lesiones personales, cargue las baterías de iones de litio iON+ de 24 V solo con su cargador de baterías de iones de litio designado, el iON+ de 24 V. Otros tipos de cargadores presentan riesgos de incendios, lesiones personales y daños materiales. No conecte una batería a un enchufe de suministro de electricidad o encendedor de cigarrillos en un automóvil. Dicho uso indebido dañará o deshabilitará permanentemente la batería.

- **Evite entornos peligrosos:** no cargue la batería bajo la lluvia o nieve, ni en lugares húmedos o mojados. No use la batería ni el cargador en atmósferas explosivas (gases, polvo o materiales inflamables), ya que al insertar o retirar la batería se pueden generar chispas que causen un incendio.
- **Cargue la batería en un área bien ventilada:** no obstruya los conductos de ventilación del cargador. Manténgalos despejados para permitir una ventilación adecuada. No permita que se fume o haya fuego abierto cerca de una batería siendo cargada. Los gases presentes pueden explotar.

NOTA: el rango seguro de temperatura para la batería es de 41°F (5°C) a 105°F (40.5°C). No cargue la batería en exteriores a temperaturas congelantes. Carguela a temperatura ambiente en interiores.

- **Cuide el cable de alimentación del cargador:** al desenchufar el cargador tire del enchufe, no del cable de alimentación, para desconectarlo del tomacorriente y así evitar el riesgo de daños al enchufe y cable. Nunca transporte el cargador colgado de su cable, ni tire del cable para desconectarlo del tomacorriente. Mantenga el cable alejado del calor, grasas y bordes afilados. Asegúrese de que el cable no sea pisado, que la gente no se tropiece con éste, ni que esté sujeto a daños o tensiones mientras el cargador esté siendo usado. No use el cargador con un cable o enchufe dañado. Reemplace un cargador dañado inmediatamente.
- **No use un cable de extensión a menos que sea absolutamente necesario:** usar un cable de extensión incorrecto, dañado o conectado de forma inapropiada puede causar un incendio o choque eléctrico. Si se debe usar un cable de extensión, conecte el cargador a un cable de extensión de calibre 16 (o más grueso) de alambreado adecuado, con su enchufe hembra encajando perfectamente en el enchufe macho del cargador. Verifique que el cable de extensión esté en buenas condiciones.
- **El cargador XZ2600-0450 está clasificado solo para voltajes de 100 V a 240 V CA:** el cargador debe estar enchufado a un tomacorriente apropiado.
- **Use solo accesorios recomendados:** el uso de un accesorio no recomendado ni vendido por el fabricante de la batería o cargador de batería puede resultar en un riesgo de un choque eléctrico, incendio o lesiones personales.
- **Desenchufe el cargador cuando no esté siendo usado:** asegúrese de retirar la batería de un cargador desenchufado.

 **¡ADVERTENCIA!** Para reducir el riesgo de un choque eléctrico, desenchufe siempre el cargador antes de llevar a cabo cualquier tarea de limpieza o mantenimiento. No permita que entre agua dentro del cargador. Use un interruptor de circuito por falla a tierra (GFCI) para reducir el riesgo de un choque eléctrico.

- **No queme ni incinere baterías:** las baterías pueden explotar, causando lesiones personales o daños. Las baterías generan sustancias y humos tóxicos al ser quemadas.
- **No triture, deje caer ni dañe las baterías o cargador:** no use la batería ni el cargador si han sido severamente golpeados, se han dejado caer, se han aplastado, o han sido dañados de cualquier forma como por ejemplo perforados con un clavo, golpeados con un martillo, pisados, etc.
- **No los desarme:** el re-ensamblado incorrecto puede presentar un riesgo severo de choque eléctrico, fuego o exposición a químicos tóxicos de la batería. Si la batería o el cargador están dañados, contacte a un distribuidor autorizado Snow Joe® + Sun Joe® o comuníquese con la central de servicio al cliente Snow Joe® + Sun Joe® llamando al 1-866-SNOWJOE (1-866-766-9563) para obtener ayuda.
- **Los químicos de la batería causan quemaduras severas:** nunca deje que una batería dañada haga contacto con la piel, ojos o boca. Si una batería dañada deja escapar químicos, use guantes de hule o neopreno para deshacerse de ella de forma segura. Si la piel es expuesta a los químicos de la batería, lave el área afectada con jabón y agua, y enjuague con vinagre. Si los ojos son expuestos a los químicos, inmediatamente enjuáguelos con agua durante 20 minutos y busque atención médica. Quítense de las vestimentas contaminadas.
- **No provoque un cortocircuito:** una batería puede hacer cortocircuito si un objeto metálico hace conexión entre los contactos positivo y negativo de la batería. No coloque una batería cerca de objetos que puedan causar un cortocircuito tales como monedas, sujetapapeles, tornillos, clavos, llaves u otros objetos metálicos. Una batería cortocircuitada representa un riesgo de incendio y lesiones personales severas.
- **Guarde su batería y cargador en un lugar fresco y seco:** no guarde la batería o cargador donde las temperaturas puedan exceder los 105°F (40.5°C), como bajo la luz directa del sol o dentro de un vehículo o construcción metálica durante el verano.

Información sobre la batería

1. La batería suministrada con su pala quitanieve inalámbrica está cargada solo parcialmente. La batería tiene que ser cargada por completo antes de que usted use la herramienta por primera vez.
2. Para un óptimo rendimiento de la batería, evite ciclos de descarga baja cargando frecuentemente la batería.
3. Guarde la batería en un lugar fresco, de preferencia a 77°F (25°C) y cargada al menos a un 40%.
4. Las baterías de iones de litio están sujetas a un proceso natural de desgaste. La batería debe ser reemplazada a más tardar cuando su capacidad caiga a un 80% de su capacidad inicial, cuando estaba nueva. Las celdas debilitadas en una batería gastada no cumplirán con los requisitos de alta potencia necesarios para la operación adecuada de su pala quitanieve, y por tanto representan un riesgo de seguridad.
5. No arroje las baterías al fuego abierto ya que pueden causar una explosión.
6. No queme la batería ni la esponja al fuego.
7. No descargue las baterías exhaustivamente. Una descarga exhaustiva dañará las celdas de la batería. La causa más común de descarga exhaustiva es el almacenamiento prolongado o la falta de uso de baterías parcialmente descargadas. Deje de trabajar tan pronto como el rendimiento de la batería caiga considerablemente o se active el sistema de protección electrónico. Almacene la batería únicamente luego de haberla cargado por completo.
8. Proteja las baterías y la herramienta contra sobrecargas. Las sobrecargas causarán rápidamente un sobrecalentamiento y daños a las celdas dentro de la batería, incluso si este sobrecalentamiento no es aparente por fuera.
9. Evite daños y golpes. Reemplace inmediatamente una batería que se haya caído desde una altura de más de un metro o que haya sido expuesta a golpes violentos, incluso si el exterior de la batería aparenta no tener daños. Las celdas dentro de la batería pueden haber sufrido daños severos. En dichos casos, lea la información de eliminación para deshacerse apropiadamente de la batería.
10. Si la batería sufre una sobrecarga y sobrecalentamiento, el sistema interruptor de corte de protección integrado apagará el equipo por motivos de seguridad.
¡IMPORTANTE! No presione más el interruptor de encendido/apagado si el sistema interruptor de corte de protección se ha activado. Esto puede dañar la batería.
11. Use únicamente baterías originales. El uso de otras baterías puede causar lesiones personales o una explosión.

Información sobre el cargador y el proceso de carga

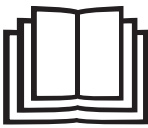





1. Verifique la información indicada en la placa de especificaciones del cargador de batería. Asegúrese de conectar el cargador de batería a una fuente de alimentación que tenga el voltaje indicado en la placa de especificaciones. Nunca lo conecte a una fuente de alimentación con un voltaje distinto al indicado.
2. Proteja el cargador de batería y su cable contra daños. Mantenga el cargador y su cable alejados del calor, grasa, aceite y bordes afilados. Haga reparar sin demora los cables dañados por un técnico calificado en un distribuidor autorizado Snow Joe® + Sun Joe® o comuníquese con la central de servicio al cliente Snow Joe® + Sun Joe® llamando al 1-866-SNOWJOE (1-866-766-9563).
3. Los enchufes eléctricos deben encajar en los tomacorrientes. Nunca modifique el enchufe de ninguna manera. No use ningún adaptador de enchufe con artefactos que tengan conexión a tierra. El uso de enchufes no modificados y tomacorrientes equivalentes reducirá el riesgo de un choque eléctrico.
4. Mantenga el cargador de batería, la batería y la herramienta inalámbrica lejos del alcance de los niños.
5. No use el cargador de batería suministrado para cargar baterías de otras herramientas inalámbricas.
6. Durante periodos de trabajo pesado, la batería se calentará. Deje que las baterías se enfríen a temperatura ambiente antes de conectarlas al cargador para su recarga.
7. No sobrecargue las baterías. No exceda los tiempos máximos de carga. Estos tiempos de carga solo se aplican a baterías descargadas. La conexión frecuente de una batería cargada o parcialmente cargada resultará en una sobrecarga y daños a las celdas. No deje las baterías conectadas al cargador por días enteros.
8. Nunca use o cargue las baterías si sospecha que han pasado más de doce (12) meses desde la última vez que fueron cargadas. Existe una alta probabilidad de que la batería ya haya sufrido un daño severo (descarga exhaustiva).
9. Cargar baterías a una temperatura menor de 41°F (5°C) causará daños químicos a las celdas y puede provocar un incendio.
10. No use baterías que hayan sido expuestas al calor durante el proceso de carga, ya que sus celdas pueden haber sufrido daños severos.
11. No use baterías que se hayan curvado o deformado durante el proceso de carga, ni aquellas que muestren otros síntomas atípicos como liberación de gases, zumbidos, grietas, etc.
12. Nunca descargue por completo la batería (se recomienda una profundidad de descarga de un 80%). Una descarga completa de la batería causará un envejecimiento prematuro de las celdas de la batería.

Protección contra influencias del entorno

1. Use ropa de trabajo adecuada. Use gafas protectoras.
2. Proteja su herramienta inalámbrica y cargador de batería contra la humedad y la lluvia. La humedad y la lluvia pueden causar daños severos a las celdas.
3. No use la herramienta inalámbrica o el cargador de batería cerca de vapores y líquidos inflamables.
4. Use el cargador de batería y la herramienta inalámbrica solo en entornos secos y a una temperatura ambiente de entre 41°F (5°C) y 105°F (40.5°C).
5. No coloque el cargador de batería en lugares donde la temperatura pueda sobrepasar los 105°F (40.5°C). En particular, no deje el cargador de batería en un auto estacionado bajo la luz directa del sol.
6. Proteja las baterías contra el sobrecalentamiento. Las sobrecargas, exceso de carga y exposición a la luz directa del sol darán como resultado un sobrecalentamiento y daños a las celdas. Nunca cargue ni trabaje con baterías que hayan estado sobrecalentadas. De ser posible, reemplácelas inmediatamente.
7. Guarde el cargador de batería y su herramienta inalámbrica solo en entornos secos y a una temperatura ambiente de entre 41°F (5°C) y 105°F (40.5°C). Guarde su batería de iones de litio en un lugar fresco y seco, a una temperatura ambiente de 77°F (25°C). Proteja la batería, el cargador y la herramienta inalámbrica contra la humedad y la luz directa del sol. Solo almacene baterías cargadas por completo.
8. Evite que la batería de iones de litio se congele. Las baterías almacenadas a temperaturas menores de 32°F (0°C) por más de una hora deberán ser desechadas.
9. Al manipular baterías, tenga cuidado con las descargas electrostáticas. Las descargas electrostáticas pueden dañar el sistema electrónico de protección y las celdas de la batería. Evite las descargas electrostáticas y nunca toque los polos de la batería.

Símbolos de seguridad

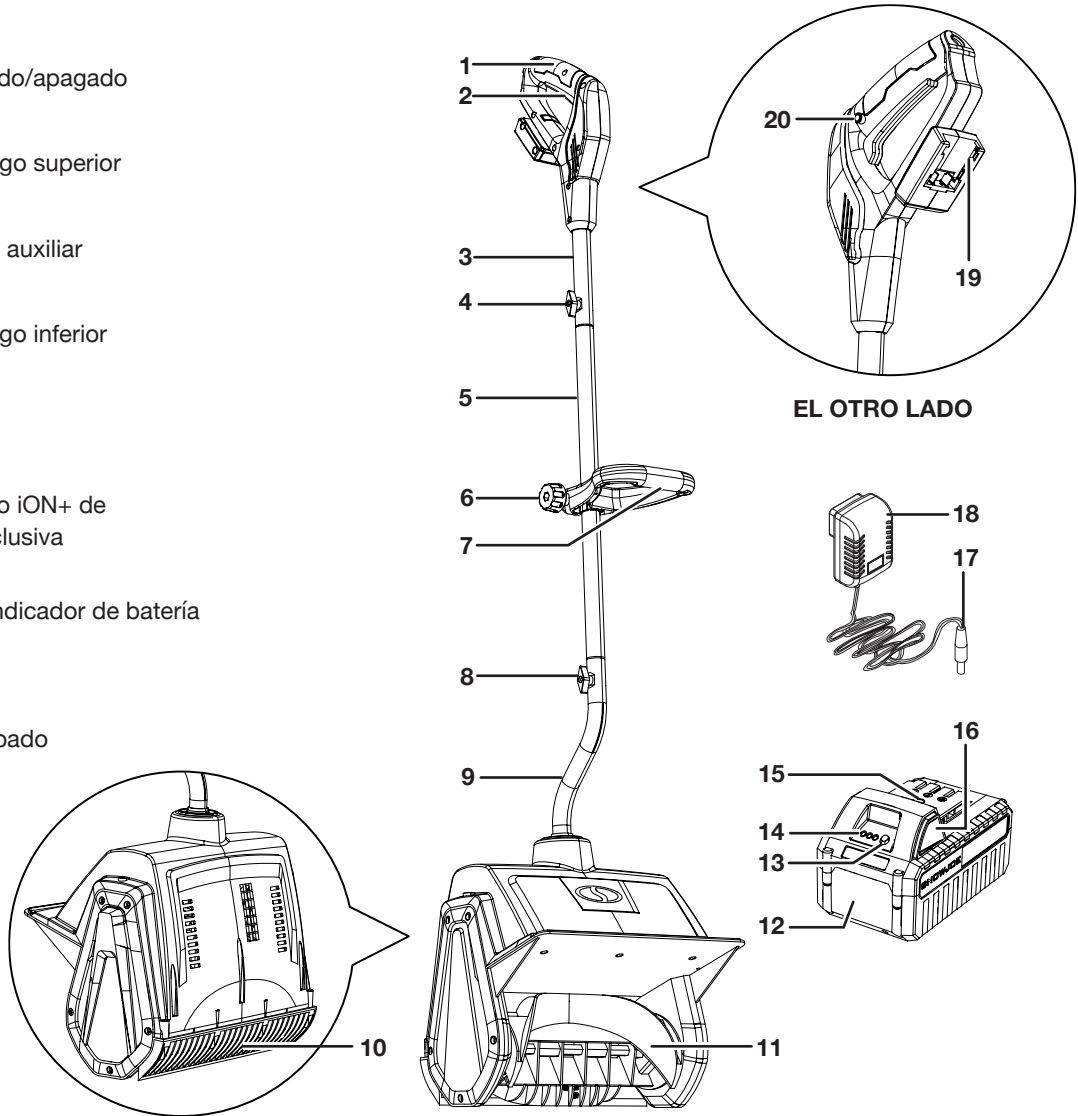
La siguiente tabla muestra y describe los símbolos de seguridad que pueden aparecer en este producto. Lea, comprenda y siga todas las instrucciones de la máquina antes de intentar ensamblarla y operarla.

Símbolo	Descripción	Símbolo	Descripción
	LEA EL(LOS) MANUAL(ES) DEL OPERADOR: lea, comprenda y siga todas las instrucciones en el(los) manual(es) antes de intentar ensamblar y operar la unidad.		¡ADVERTENCIA! No exponga la unidad a la lluvia ni a entornos mojados. Manténgala seca.
	ALERTA DE SEGURIDAD: indica una precaución, advertencia o peligro.		¡PELIGRO! Peligro de corte/ mutilación: mantenga los pies lejos de la barrena giratoria.
	Use protección auditiva. Use protección ocular. Use protección respiratoria.		¡PRECAUCIÓN! Tenga cuidado con piedras y otros objetos extraños que puedan ser arrojados por el artefacto.
	Use guantes de seguridad durante la operación para proteger sus manos.		Use todo el tiempo calzado protector para evitar que sus pies sean golpeados por objetos que puedan caerles accidentalmente.
	No use las manos para desatascar el conducto.		¡PELIGRO! Peligro de corte/ mutilación: mantenga las manos lejos de la barrena giratoria. No use las manos para desatascar la carcasa del rotor. Detenga el motor antes de retirar residuos.
	Mantenga las manos, pies y ropa lejos del rotor giratorio para evitar lesiones personales.		Mantenga a los espectadores y niños a una distancia segura (al menos 11 yardas [10 metros]) del área de trabajo.
	La parte giratoria seguirá moviéndose durante varios segundos después de que usted haya apagado la máquina.		Solo para uso en interiores. Utilice el cargador de batería solamente en interiores.

Conozca su pala quitanieve inalámbrica

Lea detenidamente este manual del propietario y las reglas de seguridad antes de operar su pala quitanieve inalámbrica. Compare la ilustración debajo con la unidad real para familiarizarse con las ubicaciones de los diversos controles y ajustes. Guarde este manual para referencias futuras.

1. Empuñadura superior
2. Interruptor de encendido/apagado
3. Mango superior
4. Perilla y perno de mango superior
5. Mango intermedio
6. Perilla de empuñadura auxiliar
7. Empuñadura auxiliar
8. Perilla y perno de mango inferior
9. Mango inferior
10. Barra raspadora
11. Hojas de la pala
12. Batería de iones de litio iON+ de 24 V (24VBAT) con exclusiva tecnología EcoSharp®.
13. Botón pulsador para indicador de batería
14. Indicador de batería
15. Receptáculo de carga
16. Botón pulsador de trabado
17. Conector de cargador
18. Cargador de batería de iones de litio de 24 V (XZ2600-0450)
19. Compartimiento de batería
20. Interruptor de seguridad



EL OTRO LADO

Datos técnicos

Motor	400 W	Rotor.....	Barrena con dos hojas de plástico
Voltaje máx. de batería*	24 V CC	Velocidad sin carga	1,650 RPM ±10%
Capacidad de la batería	4.0 Ah	Ancho de despeje	13 plg (33 cm)
Tiempo máx. de funcionamiento	1 hr 10 min	Profundidad de despeje de nieve.....	6 plg (15 cm)
	(despeja hasta 270 m ² de nieve de hasta 7.6 cm)	Distancia máx. de lanzamiento	20 pies (6 m)
Entrada de cargador.....	100 V – 240 V CA; de 50 Hz a 60 Hz; 19 W	Capacidad máx. de retiro de nieve	300 lb/min (136 kg/min)
Salida de cargador	24 V CC, 500 mA	Peso neto	13 lb (5.9 kg)
Tiempo máx. de carga de batería	5 horas		

*El voltaje inicial sin carga, cuando la batería está cargada por completo, alcanza un máximo de 24 V. El voltaje nominal bajo una carga típica es de 21.6 V.

Desembalaje

Contenido del paquete:

- Ensamblado de mango superior de pala quitanieve inalámbrica
- Ensamblado de mango intermedio de pala quitanieve inalámbrica
- Ensamblado de mango inferior de pala quitanieve inalámbrica
- Perilla y perno de tubo (2 juegos)
- Batería de iones de litio iON+ de 24 V
- Cargador de batería de iones de litio iON+ de 24 V
- Manuales y tarjeta de registro

1. Retire cuidadosamente la pala quitanieve inalámbrica y compruebe que todos los artículos anteriores estén suministrados.
2. Inspeccione cuidadosamente el producto para asegurarse de que no haya ocurrido ningún daño o ruptura durante su transporte. Si alguna parte está dañada o extraviada, NO DEVUELVA la unidad a la tienda. Comuníquese con la central de servicio al cliente Snow Joe® + Sun Joe® llamando al 1-866-SNOWJOE (1-866-766-9563).

NOTA: no se deshaga de la caja de transporte ni de los materiales de embalaje hasta que usted esté listo para usar su pala quitanieve inalámbrica. El empaquetado está hecho de materiales reciclables. Deseche estos materiales de acuerdo con los reglamentos de su localidad.

¡IMPORTANTE! El equipo y los materiales de embalaje no son juguetes. No deje que los niños jueguen con las bolsas plásticas, láminas o partes pequeñas. ¡Estos objetos pueden ser tragados y causar asfixia!

Operación de la batería

La unidad es alimentada con una batería de iones de litio. La batería está completamente sellada y no requiere de mantenimiento.






⚠ ¡ADVERTENCIA! Antes de su primer uso, la batería requiere al menos cinco horas de carga para que esté cargada por completo. Cuando la batería esté baja, recárguela por cinco horas nuevamente antes de reiniciar la operación de la unidad.

Indicador de nivel de carga de batería

La batería tiene un botón para comprobar su nivel de carga. Simplemente presione el botón para leer el nivel de carga de la batería en los LED indicadores de la batería:

- Los tres LED indicadores de nivel están encendidos: el nivel de carga de la batería es elevado.
- Dos LED indicadores de nivel están encendidos: el nivel de carga de la batería está disminuyendo. Deje de trabajar tan pronto como sea posible.

- Un LED indicador de nivel está encendido: el nivel de carga de la batería está bajo. Deje de trabajar INMEDIATAMENTE y cargue la batería, de otro modo, la vida útil de la batería se reducirá en gran medida.

	
Luces	Significado
	Botón de nivel de carga.
	La batería está cargada a un 30% y requiere ser cargada de inmediato.
	La batería está cargada a un 60% y requiere ser cargada pronto.
	La batería está cargada por completo.

NOTA: si el botón de nivel de carga no parece funcionar, conecte la batería al cargador y cargue según se requiera.

NOTA: inmediatamente luego del uso de la batería, el botón de nivel de carga puede mostrar una carga más baja que la que se mostrará algunos minutos después. Las celdas de las baterías “recuperan” parte de su carga luego de permanecer inactivas.

Operación del cargador

⚠ ¡ADVERTENCIA! Cargue las baterías de iones de litio iON+ de 24 V solo con su cargador de batería de iones de litio compatible iON+ de 24 V. Otros tipos de baterías pueden causar lesiones personales y daños materiales.

Para reducir el riesgo de un choque eléctrico, no permita que entre agua a la conexión CA/CC del cargador.

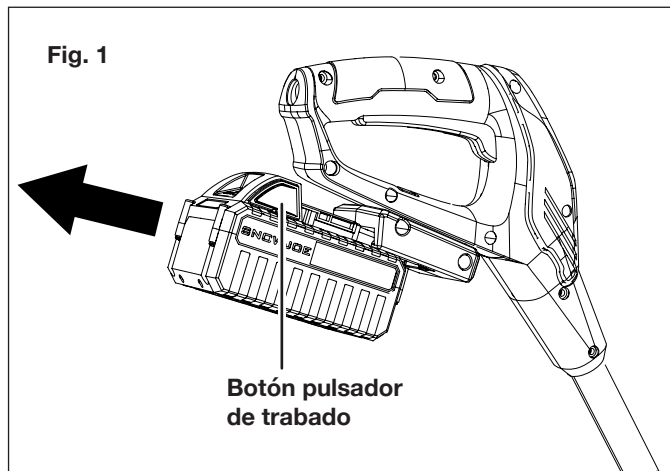
Cuándo cargar la batería de iones de litio iON+ 24VBAT

NOTA: las baterías de iones de litio iON+ 24VBAT no crean una “memoria” al ser cargadas luego de una descarga parcial. Por tanto, no hay necesidad de agotar la batería antes de colocarla en el cargador.

- Use las luces indicadoras de carga de batería para determinar cuándo cargar su batería de iones de litio iON+ 24VBAT.
- Usted puede cargar por completo su batería antes de empezar un trabajo grande o luego de un uso prolongado.

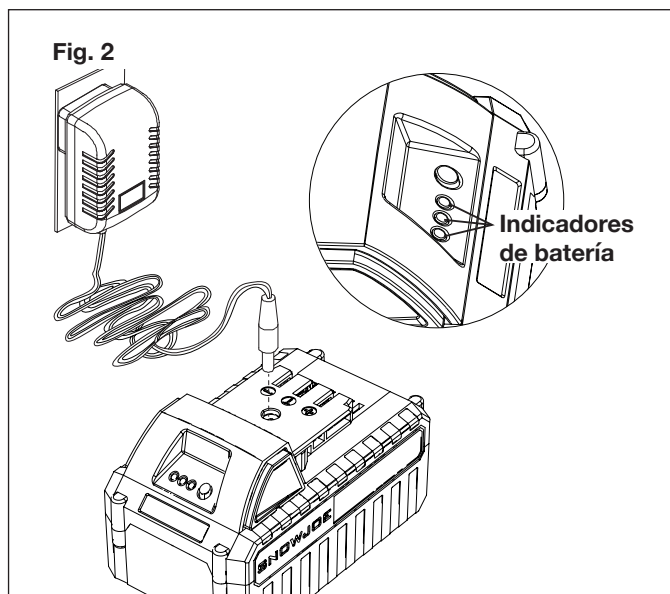
Carga de la batería

1. Presione los botones pulsadores de trabado en la batería para poder extraer la batería fuera del equipo (Fig. 1).



2. Compruebe que el voltaje de la red sea el mismo que el indicado en la placa de especificaciones del cargador de la batería. Luego, enchufe el adaptador del cargador en un tomacorriente CA apropiado. Conecte el conector del cargador en el receptáculo de carga de la batería para empezar a cargarla (Fig. 2).

NOTA: si el enchufe no encaja en el tomacorriente, o si usa este producto con un tomacorriente fuera de los EE.UU., use un accesorio adaptador de enchufe adecuado para el tomacorriente.



3. La batería tomará aproximadamente cinco horas en cargarse. Las luces LED indicadoras de la batería parpadearán y se iluminarán una a una durante el proceso de carga. Desconecte el cargador inmediatamente cuando las tres luces LED estén iluminadas.

⚠ ¡PRECAUCIÓN! PELIGRO DE INCENDIO. Al desconectar el cargador de la batería, asegúrese de desenchufar primero el cargador del tomacorriente, y luego desconectar el cargador de la batería.

⚠ ¡ADVERTENCIA! Este cargador no se apaga de forma automática cuando la batería está completamente cargada. No deje la batería conectada al cargador. Apague o desenchufe el cargador del tomacorriente cuando la carga haya sido completada.

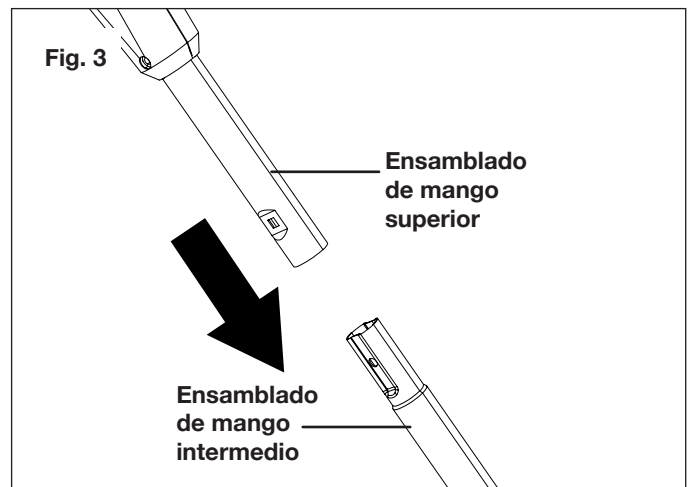
4. Una recarga oportuna de la batería ayudará a prolongar su vida útil. Usted debe recargar la batería cuando note una caída en la potencia del equipo.

¡IMPORTANTE! Nunca permita que la batería se descargue por completo ya que esto causará un daño irreversible a la batería.

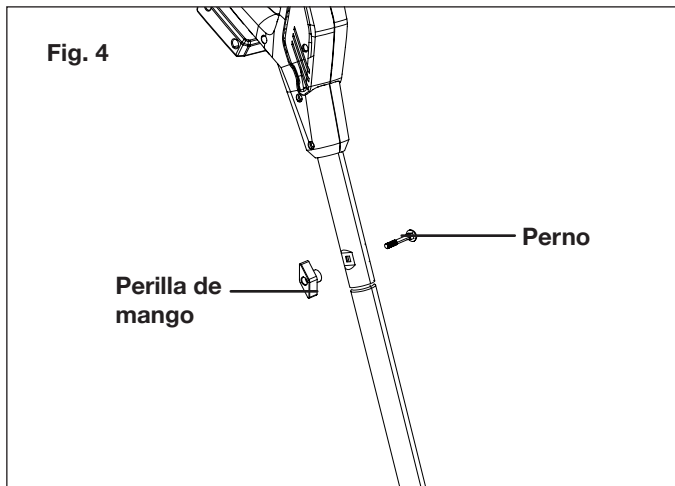
Ensamblado

Conexión de los mangos

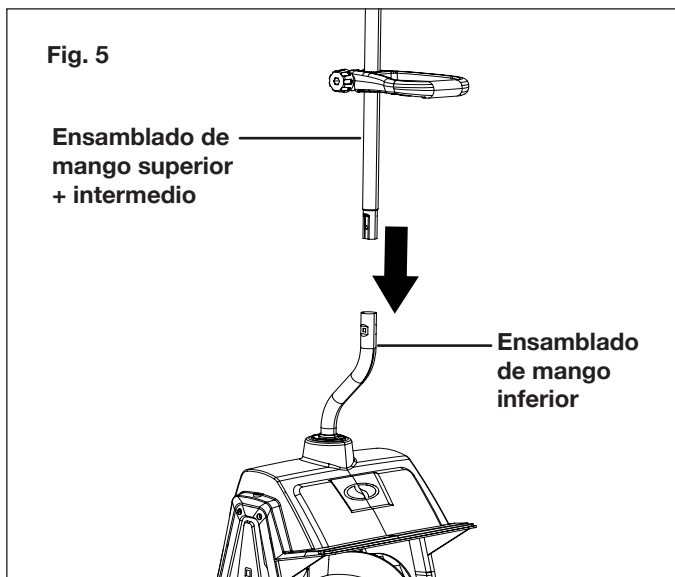
1. Conecte el ensamblado de mango superior con el ensamblado de mango intermedio. Alinee los orificios de los tornillos (Fig. 3).



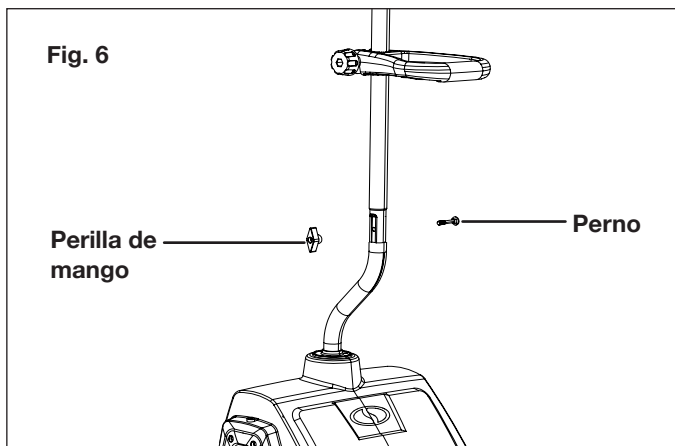
2. Inserte un perno a través de los orificios alineados en los mangos. Asegure el otro extremo del perno con una perilla, enrosándola hasta que esté apretada (Fig. 4).



3. Conecte el ensamblado de mango superior e intermedio con el ensamblado de mango inferior. Alinee los orificios de los tornillos (Fig. 5).



4. Inserte un perno a través de los orificios alineados en los mangos. Asegure el otro extremo del perno con una perilla, enroscándola hasta que esté apretada (Fig. 6).



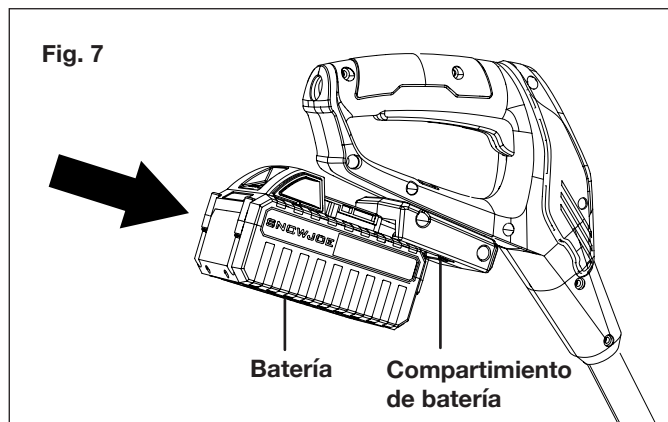
NOTA: para evitar que el cable dentro de los mangos interfiera con la instalación, asegúrese de conectar primero el ensamblado de mango superior con el ensamblado de mango intermedio. Usted quizás tenga que mover cuidadosamente el cable dentro de los mangos hacia un lado al momento de insertar el perno.

Operación

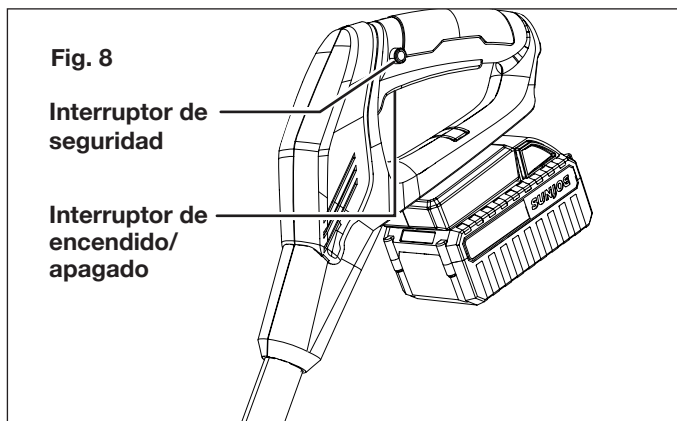
⚠ ¡ADVERTENCIA! Mantenga el área libre de piedras, juguetes u otros objetos extraños que las hojas del rotor puedan capturar y lanzar. Dichos objetos pueden estar cubiertos por nieve y ser fáciles de ignorar, así que asegúrese de llevar a cabo una minuciosa inspección del área antes de empezar a trabajar.

Encendido de la máquina

1. Deslice la batería dentro de su compartimento hasta que haga "clic" para trabarse en su posición (Fig. 7).



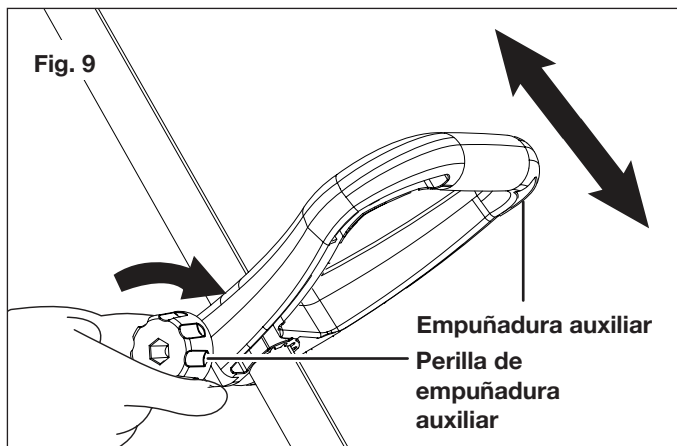
2. Para poner en marcha la pala quitanieve inalámbrica, presione con su pulgar el interruptor de seguridad en el costado de la empuñadura y, sin soltarlo, luego apriete el interruptor de encendido/apagado con sus dedos. Una vez que la máquina se encienda, usted puede soltar el interruptor de seguridad y proceder con la operación (Fig. 8).



3. Para detener la pala quitanieve inalámbrica, suelte el interruptor de encendido/apagado.

Colocación de la empuñadura auxiliar.

1. Afloje la perilla de la empuñadura auxiliar.
2. Mueva la empuñadura auxiliar a una posición de trabajo cómoda para usted (Fig. 9).
3. Apriete la perilla de la empuñadura auxiliar (Fig. 9).



NOTA: para evitar que la empuñadura auxiliar se mueva o deslice sobre el mango, asegúrese de haber apretado firmemente la perilla de empuñadura auxiliar.

Consejos de operación

- Encienda la pala quitanieve inalámbrica. Empuje la pala quitanieve hacia adelante a una velocidad cómoda, pero lo suficientemente lenta para despejar la ruta por completo. El ancho de despeje de la pala quitanieve y la profundidad de la nieve deberán controlar la velocidad de avance.
- Dirija el chorro de nieve hacia la derecha o izquierda sujetando la pala quitanieve inalámbrica en un ángulo mínimo.
- Para retirar la nieve de forma más eficiente, arroje la nieve en la dirección del viento, y superponga ligeramente cada pasada.

- Si usted necesita retirar nieve de una superficie de rocas trituradas o grava, empuje la empuñadura hacia abajo para mantener a la barra raspadora libre de cualquier material suelto que las hojas del rotor puedan lanzar.
- Esta pala quitanieve inalámbrica despeja una ruta de 13 plg (33 cm) de ancho y hasta 6 plg (15 cm) de profundidad en una sola pasada.
- Al limpiar acumulaciones más profundas, sujete la pala quitanieve inalámbrica por sus empuñaduras superior y auxiliar y muévala en un movimiento de vaivén o barrido. Retire un máximo de 6 plg (15 cm) de nieve con cada pasada, y repita tantas veces como sea necesario.
- Luego del uso, retire la batería de la pala quitanieve inalámbrica. Cuelgue la pala quitanieve para que no se extravíe o dañe.

Mantenimiento

Para ordenar partes de repuesto o accesorios genuinos de su pala quitanieve inalámbrica 24V-SS13 de Snow Joe®, visite snowjoe.com o comuníquese con la central de servicio al cliente Snow Joe® + Sun Joe® llamando al 1-866-SNOWJOE (1-866-766-9563).

Cuidado apropiado de la batería y el cargador

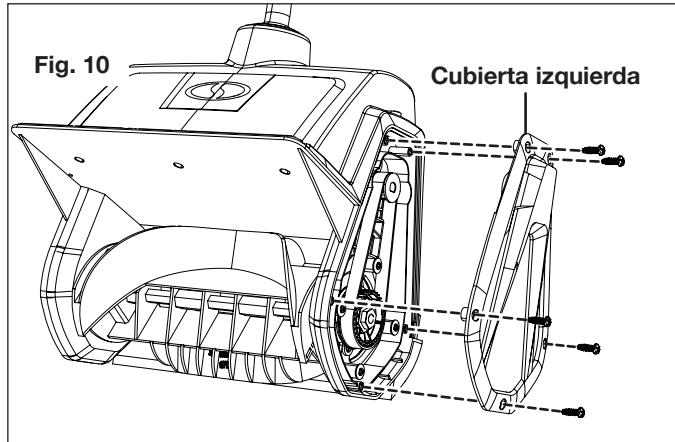
⚠ ¡ADVERTENCIA! Para reducir el riesgo de lesiones personales, desenchufe siempre el cargador y desconecte la batería del cargador antes de llevar a cabo cualquier tarea de mantenimiento. Nunca desarme la batería ni el cargador. Para TODAS las reparaciones, comuníquese con su distribuidor Snow Joe® + Sun Joe® o con la central de servicio al cliente Snow Joe® + Sun Joe®.

1. Para reducir el riesgo de daños y lesiones personales, nunca sumerja la batería o el cargador en un líquido ni permita que ningún líquido entre dentro de estos componentes.
2. Limpie de polvo y residuos los conductos de ventilación del cargador y los contactos eléctricos soplándolos con aire comprimido.
3. Use solo detergente suave en un paño húmedo para limpiar la batería y el cargador, manteniendo el paño alejado de todos los contactos eléctricos. Ciertos agentes y solventes de limpieza son dañinos para los plásticos y otras partes aisladas. Algunos de estos incluyen gasolina, trementina, diluyente de laca, diluyente de pintura, solventes clorados para limpieza, amoníaco y detergentes caseros con amoníaco. Nunca use solventes inflamables o combustibles cerca de baterías, cargadores de batería, o herramientas motorizadas.
4. El cargador de baterías de iones de litio iON+ de 24 V no tiene partes reparables.

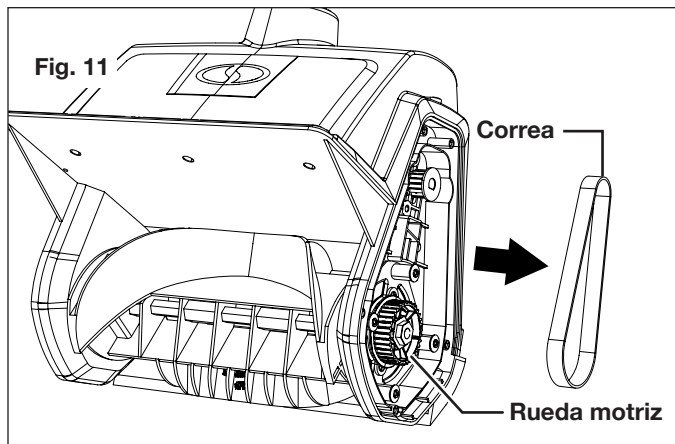
Reemplazo de la barrena

⚠ ¡ADVERTENCIA! Asegúrese de apagar su pala quitanieve inalámbrica y quitarle la batería antes de llevar a cabo cualquier tarea de mantenimiento.

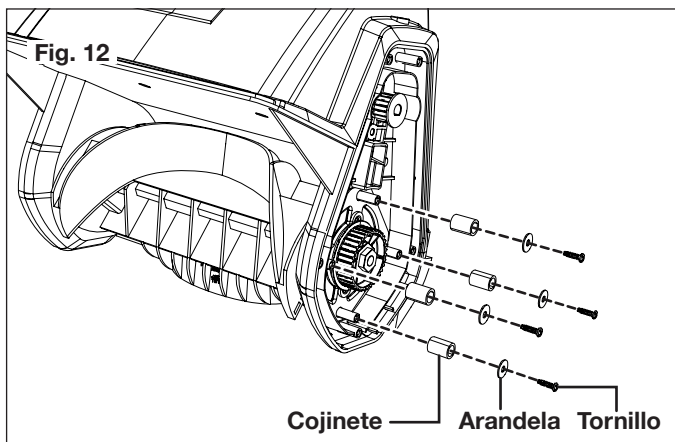
1. Desensamble la cubierta izquierda retirando los cinco (5) tornillos que la sostienen en su lugar (Fig. 10).



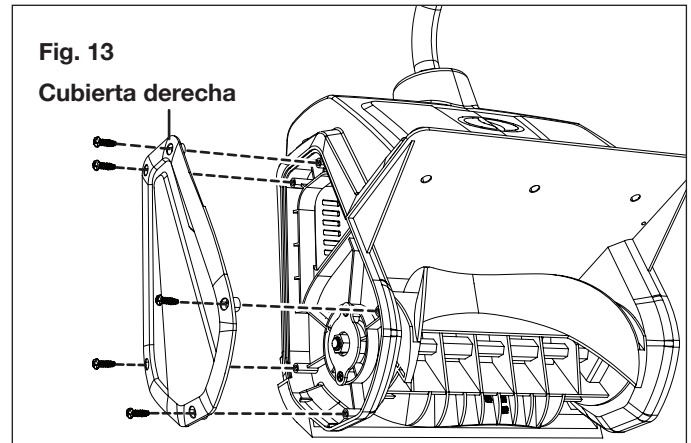
2. Retire la correa de la rueda motriz (Fig. 11).



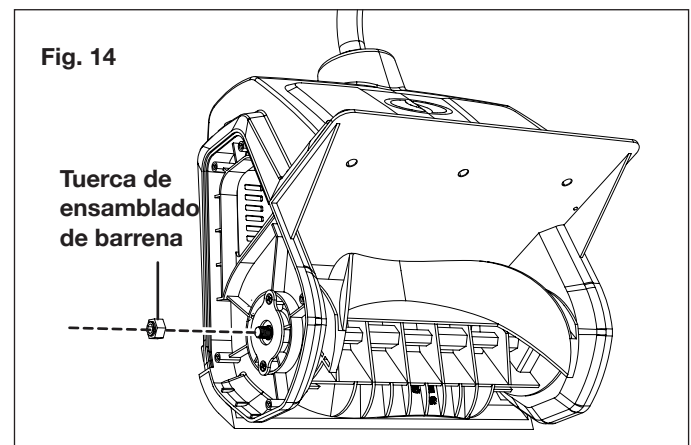
3. Retire los tornillos, arandelas y cojinetes de la rueda motriz (Fig. 12).



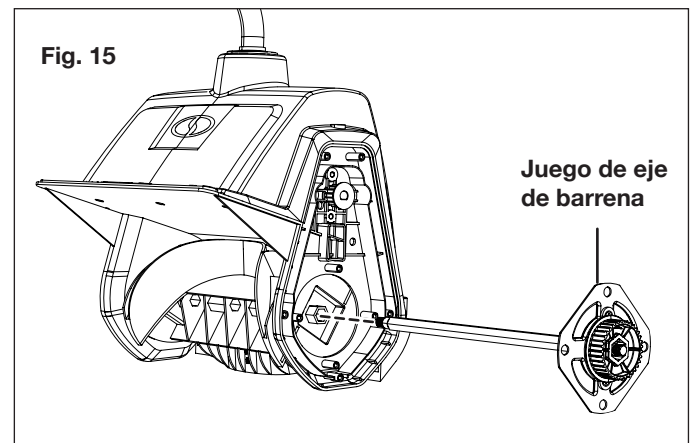
4. Desensamble la cubierta derecha retirando los cinco (5) tornillos que la sostienen en su lugar (Fig. 13).



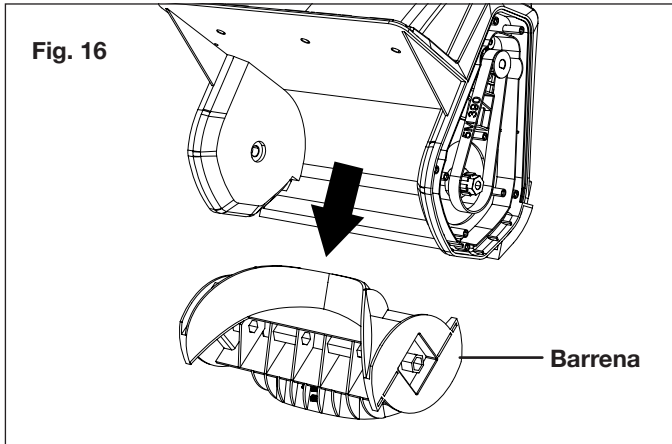
5. Use una mano para asegurar la barrena y, al mismo tiempo, use la otra mano para retirar la tuerca de ensamblado de barrena en el lado derecho. (Fig. 14).



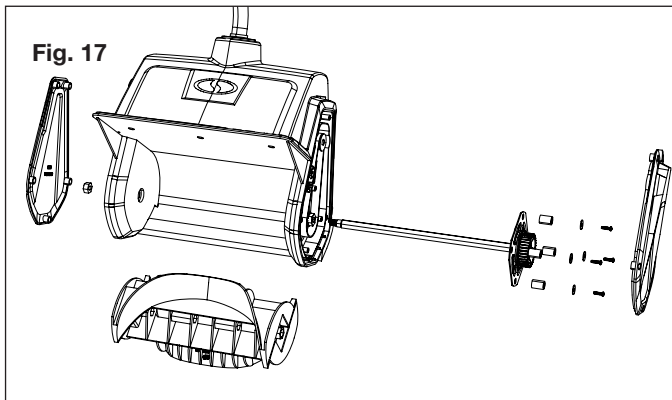
6. Desde el lado izquierdo, retire el juego de eje de barrena (Fig. 15).



7. Retire la barrena gastada de la carcasa (Fig. 16).



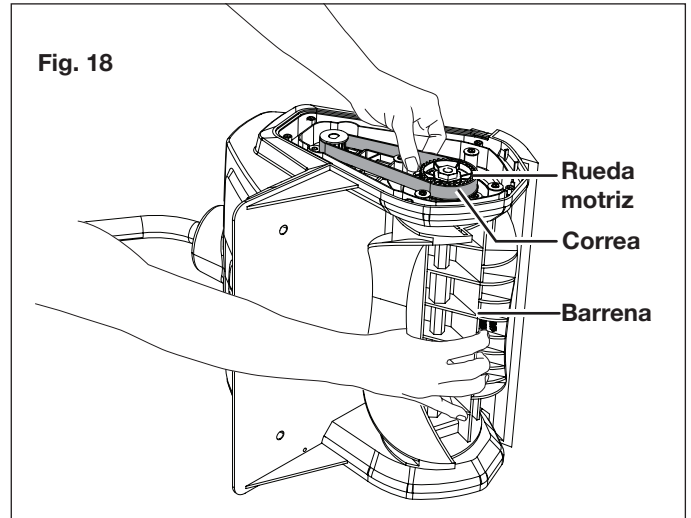
8. Instale la barrena de repuesto siguiendo los pasos anteriores en orden inverso (Fig. 17).



Reemplazo de la correa

⚠ ¡ADVERTENCIA! Asegúrese de apagar su pala quitanieve inalámbrica y quitarle la batería antes de llevar a cabo cualquier tarea de mantenimiento.

1. Desensamble la cubierta del lado izquierdo retirando los cinco (5) tornillos que la sostienen en su lugar (Fig. 10).
2. Para retirar la correa antigua de la rueda motriz, use una mano para mover lentamente la barrena y la otra mano para levantar la correa (Fig. 18).

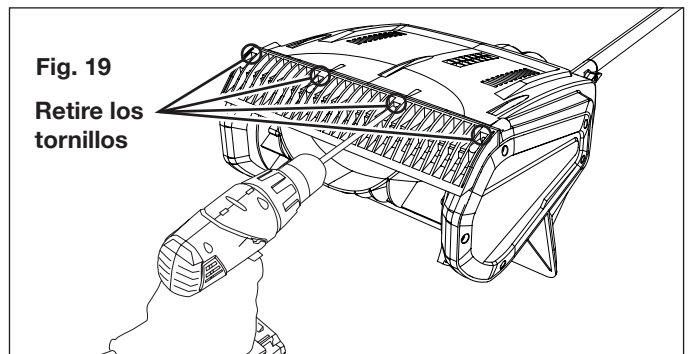


3. Instale una nueva correa en su lugar. Coloque la cubierta izquierda de vuelta en su posición y vuelva a ajustar los cinco (5) tornillos.

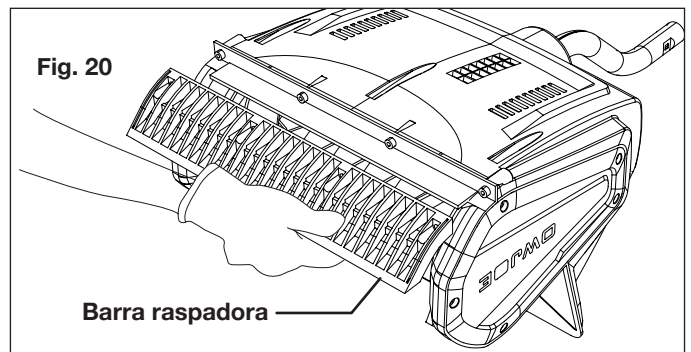
Reemplazo de la barra raspadora

⚠ ¡ADVERTENCIA! Asegúrese de apagar su pala quitanieve inalámbrica y quitarle la batería antes de llevar a cabo cualquier tarea de mantenimiento.

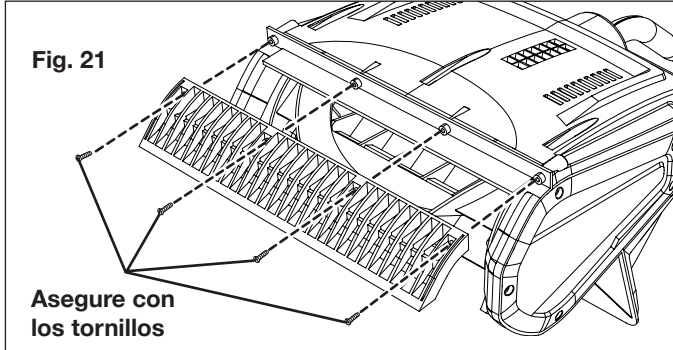
1. Invierta la pala quitanieve. Usando un destornillador eléctrico, retire los cuatro (4) tornillos que aseguran la barra raspadora a la base de la unidad (Fig. 19).



2. Retire la barra raspadora gastada (Fig. 20).



3. Instale la nueva barra raspadora y asegúrela a la carcasa con los cuatro (4) tornillos (Fig. 21).



Lubricación de la pala quitanieve inalámbrica

Esta pala quitanieve inalámbrica no necesita lubricación. Todos los rodamientos están lubricados de fábrica para todo el ciclo de vida útil del producto.

Almacenamiento

1. Examine la pala quitanieve inalámbrica cuidadosamente y compruebe que no haya partes gastadas, sueltas o dañadas. En caso de necesitar una reparación o reemplazar una parte, contacte a un distribuidor autorizado Snow Joe® + Sun Joe® o comuníquese con la central de servicio al cliente Snow Joe® + Sun Joe® llamando al 1-866-SNOWJOE (1-866-766-9563) para obtener asistencia.
2. Retire la batería de la pala quitanieve inalámbrica antes de guardarla.
3. Guarde la pala quitanieve inalámbrica en interiores, en un lugar seco y bajo llave, lejos del alcance de los niños para prevenir daños o un uso no autorizado.

Almacenamiento de la batería y el cargador fuera de temporada

1. No esponga su batería o cargador al agua o lluvia, ni permita que se mojen. Esto podría dañar permanentemente la batería y el cargador. No use aceites o solventes para limpiar o lubricar su batería ya que la cubierta de plástico puede tornarse quebradiza y romperse, causando lesiones personales graves.
2. Guarde la batería y el cargador a una temperatura ambiente, lejos de la humedad. No los guarde en lugares húmedos donde los terminales se puedan corroer. Como con cualquier otro tipo de batería, puede ocurrir una pérdida permanente de capacidad si la batería es almacenada por largos periodos de tiempo a temperaturas elevadas (mayores de 120°F [49°C]).

3. Las baterías de iones de litio iON+ 24VBAT mantienen su carga durante el almacenamiento por más tiempo que otras baterías. Como costumbre, es mejor desenchufar el cargador y retirar la batería cuando no estén siendo usados. Recargue la batería cada seis meses al 60% de su capacidad (2 luces encendidas) durante el almacenamiento fuera de temporada para mantener un rendimiento óptimo de la batería.

Precaución y eliminación de la batería

Deshágase de su batería de acuerdo con los reglamentos federales, estatales y locales. Para encontrar lugares de reciclaje, comuníquese con un servicio de reciclaje en su localidad.

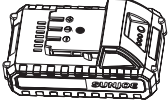
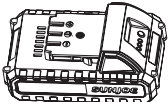
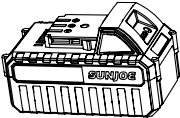
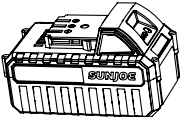

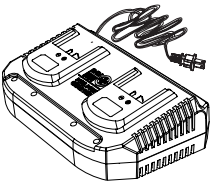

⚠ ¡PRECAUCIÓN! Incluso las baterías descargadas contienen algo de energía. Antes de deshacerse de estas, use cinta aislante para cubrir los terminales y evitar que la batería haga cortocircuito, lo cual puede causar una explosión o incendio.

⚠ ¡ADVERTENCIA! Para reducir el riesgo de lesiones personales o explosión, nunca quemar ni incinerar una batería incluso si está dañada, inservible o completamente descargada. Al ser quemada, los humos y materiales tóxicos son lanzados a la atmósfera circundante.

1. Las baterías varían de acuerdo al dispositivo. Consulte su manual para obtener la información específica.
2. Instale solo nuevas baterías del mismo tipo en su producto (donde corresponda).
3. No insertar las baterías con la polaridad correcta, tal como se indica en el compartimiento de la batería o en el manual, puede reducir el ciclo de vida útil de las baterías o causar fugas en estas.
4. No combine baterías nuevas con antiguas.
5. No combine baterías alcalinas, estándar (de zinc-carbono) o recargables (de níquel-cadmio, de níquel-hidruro metálico o de iones de litio).
6. No arroje las baterías al fuego.
7. Las baterías deben ser recicladas o desechadas según los reglamentos locales y estatales.

Accesorios opcionales

⚠ ¡ADVERTENCIA! USE SIEMPRE solo partes de repuesto y accesorios Snow Joe® + Sun Joe®. NUNCA use partes de repuesto o accesorios que no estén destinados para su uso con esta pala quitanieve inalámbrica. Comuníquese con Snow Joe® + Sun Joe® si tiene dudas sobre si es seguro usar una parte de repuesto o accesorio en particular con su pala quitanieve inalámbrica. El uso de cualquier otro accesorio o parte puede ser peligroso y causar lesiones personales o daños mecánicos.

Accesorio	Descripción	Modelo
<p>①</p> 	<p>Batería de iones de litio iON+ de 24 V y 2.0 Ah <i>Tiempo máximo de duración de batería: 35 min</i> <i>(despeja hasta 160 m² de nieve de hasta 7.6 cm)</i></p>	24VBAT-LTE
<p>②</p> 	<p>Batería de iones de litio iON+ de 24 V y 2.5 Ah <i>Tiempo máximo de funcionamiento de batería: 40 min</i> <i>(despeja hasta 160 m² de nieve de hasta 7.6 cm)</i></p>	24VBAT-LT
<p>③</p> 	<p>Batería de iones de litio iON+ de 24 V y 4.0 Ah <i>Tiempo máximo de duración de batería: 1 hr 10 min</i> <i>(despeja hasta 160 m² de nieve de hasta 7.6 cm)</i></p>	24VBAT
<p>④</p> 	<p>Batería de iones de litio iON+ de 24 V y 5.0 Ah <i>Tiempo máximo de duración de batería: 1 hr 20 min</i> <i>(despeja hasta 160 m² de nieve de hasta 7.6 cm)</i></p>	24VBAT-XR
<p>⑤</p> 	<p>Cargador rápido de batería de iones de litio iON+ de 24 V</p>	24VCHRG-QC
<p>⑥</p> 	<p>Cargador de doble puerto para baterías de iones de litio iON+ de 24 V</p>	24VCHRG-DPC
<p>⑦</p> 	<p>Cubierta universal protectora de pala quitanieve de 13 plg</p>	SJCVR-13

NOTA: los accesorios están sujetos a cambios sin obligación alguna por parte de Snow Joe® + Sun Joe®. Los accesorios se pueden ordenar en línea visitando snowjoe.com o por teléfono llamando a la central de servicio al cliente Snow Joe® + Sun Joe® al 1-866-SNOWJOE (1-866-766-9563).



LA PROMESA DE SNOW JOE® + SUN JOE® AL CLIENTE

POR SOBRE TODO, en Snow Joe, LLC (“Snow Joe”) estamos dedicados a usted, nuestro cliente. Nos esforzamos por hacer que su experiencia sea lo más placentera posible. Desafortunadamente, hay veces en que un producto Snow Joe®, Sun Joe®, o Aqua Joe® (el “Producto”) no funciona o sufre un desperfecto bajo condiciones normales de operación. Creemos que es importante que usted sepa que puede confiar en nosotros. Es por eso que tenemos esta Garantía Limitada (la “Garantía”) para nuestros Productos.

NUESTRA GARANTÍA:

Snow Joe garantiza que sus Productos motorizados y no motorizados, nuevos y genuinos, están libres de defectos materiales o de mano de obra al ser usados en tareas domésticas normales durante un periodo de dos (2) años a partir de la fecha de compra por parte del comprador original y usuario final, cuando este último los compra a través de Snow Joe o un vendedor autorizado por Snow Joe y ha obtenido un comprobante de compra. Ya que Snow Joe no puede controlar la calidad de sus Productos vendidos por vendedores no autorizados, a menos que la ley lo prohíba esta Garantía no cubre Productos adquiridos a través de vendedores no autorizados. Si su Producto no funciona, o hay un problema con una parte específica que está cubierta por los términos de esta Garantía, Snow Joe elegirá entre: (1) enviarle una parte de repuesto gratuita; (2) reemplazar el Producto con uno nuevo o similar sin costo alguno; o (3) reparar el Producto. ¡Un excelente soporte!

Esta Garantía le da derechos legales específicos, y usted puede también tener otros derechos según el Estado.

REGISTRO DEL PRODUCTO:

Snow Joe le recomienda enfáticamente registrar su Producto. Usted puede registrar su Producto en línea visitando snowjoe.com/register, imprimiendo y enviando por correo una tarjeta de registro disponible en línea en nuestro sitio Web, llamando a nuestra central de servicio al cliente al **1-866-SNOWJOE (1-866-766-9563)**, o enviándonos un e-mail a help@snowjoe.com. Si usted no registra su Producto sus derechos de garantía no disminuirán; sin embargo, registrar su Producto permitirá que Snow Joe le pueda atender mejor si usted tiene alguna necesidad como cliente.

¿QUIÉN PUEDE SOLICITAR COBERTURA DE GARANTÍA LIMITADA?

Esta Garantía es otorgada por Snow Joe al comprador original y propietario original del Producto.

¿QUÉ NO ESTÁ CUBIERTO?

Esta Garantía no se aplica si el Producto ha sido usado de forma comercial o en aplicaciones no domésticas o de alquiler. Esta Garantía tampoco se aplica si el Producto fue adquirido desde un vendedor no autorizado. Esta garantía tampoco cubre cambios cosméticos que no afecten el funcionamiento del Producto. Las partes desgastables como correas, brocas y cuchillas no están cubiertas por esta Garantía, y pueden ser compradas visitando snowjoe.com o llamando al **1-866-SNOWJOE (1-866-766-9563)**.



SNOWJOE®

FR

MANUEL D'UTILISATION

PELLE À NEIGE SANS CORDON

24 V MAX.* | 4,0 Ah | 33 cm

Une division de Snow Joe®, LLC

Modèle 24V-SS13

Formulaire n° SJ-24V-SS13-880F-MR2

IMPORTANT!


Consignes de sécurité

Tous les utilisateurs doivent lire ces instructions avant d'utiliser la machine

Lire et comprendre toutes les instructions avant d'utiliser cette pelle à neige sans cordon. Les précautions de sécurité élémentaires doivent toujours être suivies pour réduire le risque d'incendie, de secousse électrique ou de blessures.

AVERTISSEMENTS d'ordre général en matière de sécurité!


Vous-mêmes, ainsi que tout autre utilisateur de cette pelle à neige, devez lire, comprendre et observer ces instructions dans leur intégralité. Vous devez les lire à nouveau au début de chaque saison hivernale. Le non-respect de ces consignes de sécurité pourrait être à l'origine d'une SECOUSSE ÉLECTRIQUE, d'un INCENDIE et/ou de GRAVES BLESSURES.

Prenez note du symbole d'alerte de sécurité personnelle  **utilisé dans ce manuel pour attirer votre attention sur un AVERTISSEMENT s'appliquant à une consigne d'utilisation particulière. Ce symbole indique que cette utilisation nécessite d'être particulièrement VIGILANT, de prendre des PRÉCAUTIONS et d'être CONSCIENT DES DANGERS.**

- 1. Maintenir la zone de travail propre et bien éclairée** – Les endroits encombrés et sombres sont propices aux accidents.
- 2. Utiliser la bonne machine** – N'utilisez pas cette machine pour des travaux différents de ceux auxquels elle est destinée.
- 3. Pièces de rechange** – Pour réparer cette machine, utilisez uniquement des pièces de rechange identiques. Remplacez ou réparez immédiatement le cordon du chargeur s'il est endommagé.
Ne l'utilisez pas sur du gravier, à moins que la pelle à neige soit réglée pour ce type de revêtement conformément au manuel d'utilisation.
- 4. Maintenir à l'écart les enfants, les spectateurs et les animaux familiers** – Tous les spectateurs, notamment les animaux familiers, doivent être maintenus à une distance de sécurité de la zone de travail.

- 5. S'habiller en conséquence** – Ne portez ni articles vestimentaires amples ni bijoux. Ils peuvent être happés par les pièces mobiles. Portez des bottes de caoutchouc.

La pelle à neige sans cordon ne doit pas être utilisée en la portant à bout de bras sauf si les instructions fournies dans ce manuel l'autorisent spécifiquement.

- 6. Éviter tout démarrage accidentel** – Assurez-vous que le bouton-poussoir de sécurité et la gâchette marche-arrêt sont à la position d'arrêt avant d'insérer la batterie dans son compartiment. Ne transportez pas la pelle à neige sans cordon lorsque le bouton-poussoir de sécurité et la gâchette marche-arrêt ne sont pas à la position d'arrêt.
- 7. Pièces mobiles** – Gardez les mains et les pieds éloignés des pièces mobiles. Maintenez les dispositifs de protection en place et en bon ordre de marche.
- 8.  MISE EN GARDE!** Faire très attention pour éviter de glisser ou de tomber. Porter des chaussures de protection pour se protéger les pieds et avoir une meilleure prise sur les revêtements glissants.
- 9. Porter des lunettes de sécurité** – Portez également des chaussures de protection, des vêtements serrés près du corps, des gants de protection, des protecteurs d'oreille et une protection de la tête.
- 10. Rester vigilant** – Surveillez ce que vous faites. Faites preuve de bon sens. N'utilisez pas la pelle à neige sans cordon si vous êtes fatigué ou si vous avez consommé de l'alcool ou de la drogue.
- 11. Ne pas forcer la machine** – Elle fonctionnera mieux, sera moins dangereuse et moins susceptible de tomber en panne si elle est utilisée à la vitesse pour laquelle elle a été conçue.
- 12. Ne pas s'arc-bouter** – Restez en permanence sur les deux pieds pour ne pas perdre l'équilibre.
- 13. Si la pelle à neige sans cordon heurte quoi que ce soit, suivez ces étapes :**
 - **Arrêter la pelle à neige sans cordon. Retirer la batterie.**
 - **Vérifier si la machine n'est pas endommagée.**
 - **Réparer tout dommage avant de redémarrer et d'utiliser à nouveau la pelle à neige.**
- 14. Désactiver l'alimentation électrique de la machine** – Arrêtez la pelle à neige sans cordon et retirez la batterie lorsque vous ne l'utilisez pas, avant d'intervenir dessus, lorsque vous changez d'accessoire ou lorsque vous effectuez toute autre tâche d'entretien.

15. Lorsqu'elle n'est pas utilisée, ranger la machine à l'intérieur – Lorsque vous ne l'utilisez pas, la pelle à neige sans cordon doit être remise à l'intérieur dans un endroit sec, sous clé et hors de portée des enfants.

16. Effectuer avec soin l'entretien de la pelle à neige sans cordon – Suivez les instructions d'entretien spéciales pour le remplacement de pièces ou le changement d'accessoires. La lubrification n'est pas nécessaire.

⚠ Il s'agit du symbole d'alerte de sécurité. Il est utilisé pour vous alerter de dangers potentiels pouvant entraîner des blessures. Pour éviter toute blessure grave ou même fatale, obéissez à tous les messages de sécurité précédés de ce symbole.

La mauvaise utilisation ou l'entretien négligé de cette pelle à neige sans cordon pourrait entraîner des blessures pouvant même être mortelles. Pour réduire ce risque, respectez les consignes de sécurité suivantes.

Cette pelle à neige sans cordon peut amputer les mains et les pieds si elle est mal utilisée. Elle peut également ramasser des corps étrangers qui peuvent devenir de dangereux projectiles s'ils sont rejetés en l'air. Le fait de ne pas observer les consignes de sécurité suivantes pourrait entraîner de graves blessures.

Formation

- Avant d'utiliser cette machine, lisez, comprenez et suivez toutes les instructions sur la machine et dans le manuel. Familiarisez-vous bien avec les commandes et l'utilisation appropriée de la machine. Sachez comment arrêter rapidement la machine et débrayer rapidement les commandes.
- Les enfants ne devraient jamais être autorisés à avoir accès à la machine. Les adultes ne devraient jamais utiliser la machine sans avoir lu attentivement et compris ces instructions.
- Ne laissez personne s'approcher de la zone de travail, en particulier les petits enfants et les animaux familiers.
- Faites très attention pour éviter de glisser ou de tomber.

Préparation

- Inspectez soigneusement la zone où la machine doit être utilisée et retirez tous les paillasons, traîneaux, planches, fils de fer et autres corps étrangers.
- N'utilisez pas la pelle à neige sans porter de vêtements d'hiver appropriés. Évitez les vêtements amples qui pourraient se prendre dans les pièces mobiles. Portez des chaussures permettant d'avoir une meilleure prise sur les revêtements glissants.
- N'essayez pas de déblayer la neige sur un revêtement recouvert de gravier ou de gravillons. Cette machine est uniquement destinée à déblayer la neige sur les surfaces revêtues.

- N'essayez jamais de procéder à des réglages quand le moteur tourne (sauf recommandations spécifiques du fabricant).
- Portez toujours des lunettes de sécurité ou une protection des yeux pendant l'utilisation et lors de réglages ou de réparations, et ce afin de protéger vos yeux de tout ce qui peut être projeté par la machine.

Utilisation

- Ne mettez ni les mains ni les pieds sous les pièces tournantes ou à proximité. Tenez-vous en permanence à l'écart de l'ouverture d'éjection.
- Faites preuve d'une extrême prudence lorsque vous utilisez la machine ou lui faites traverser des chemins, des allées ou des routes de gravier. Soyez à l'affût des dangers cachés et de la circulation.
- Après avoir heurté quoi que ce soit, arrêtez le moteur. Inspectez soigneusement la pelle à neige sans cordon pour vérifier si elle n'est pas endommagée et réparez-la avant de la redémarrer et l'utiliser à nouveau.
- Si la machine commence à vibrer anormalement, arrêtez le moteur et inspectez immédiatement la machine pour trouver ce qui est à l'origine des vibrations. Les vibrations sont généralement des signes précurseurs d'un problème.
- Arrêtez le moteur et retirez la batterie toutes les fois que vous devez quitter la position d'utilisation de la machine, avant de la transporter, avant de déboucher le carter de la tarière rotative et lorsque vous réparez, réglez ou inspectez la machine.
- Lorsque vous nettoyez, réparez ou inspectez la pelle à neige sans cordon, assurez-vous que toutes les pièces mobiles sont complètement arrêtées avant de vous mettre au travail.
- Faites preuve d'une extrême prudence lorsque vous utilisez la machine sur des terrains pentus.
- N'utilisez jamais la pelle à neige sans cordon sans que les dispositifs de protection et de sécurité soient en place et en bon ordre de marche.
- Ne dirigez jamais la neige rejetée en direction de personnes ou d'endroits susceptibles d'être endommagés. Maintenez les enfants, les animaux familiers et autres spectateurs à bonne distance de la zone de travail.
- Ne surchargez pas la capacité de la machine en essayant de déblayer trop rapidement la neige.
- Regardez derrière vous et faites preuve de prudence lorsque vous reculez en ayant la pelle à neige sans cordon entre les mains.
- N'utilisez jamais la pelle à neige sans cordon sans bonne visibilité ou éclairage suffisant. Assurez toujours vos pas et tenez fermement la machine par les poignées. Marchez et ne courez jamais lorsque vous utilisez la machine.

Débouchage du carter de tarière rotative

Mettre les mains en contact avec la tarière rotative à l'intérieur du carter est la cause la plus commune des blessures associées aux pelles à neige sans cordon. N'utilisez jamais les mains pour déboucher un carter de tarière rotative.

Pour déboucher le carter de tarière rotative :

- Arrêtez le moteur et retirez la batterie.
- Patientez 10 secondes pour être certain que la tarière rotative est à l'arrêt complet.
- Utilisez toujours un outil de curage et non les mains pour déboucher la tarière rotative.

Entretien et remisage

- Inspectez régulièrement les attaches et vérifiez qu'elles sont bien serrées pour que la machine puisse être utilisée sans danger.
- Reportez-vous toujours au manuel d'utilisation pour des détails importants, par exemple la façon de remiser correctement votre pelle à neige sans cordon pendant une période prolongée.
- Maintenez visibles les étiquettes de sécurité et d'instructions ou, le cas échéant, remplacez-les.
- Pour empêcher la tarière rotative de geler, faites tourner la machine quelques minutes après avoir déblayé de la neige.

Consignes de sécurité concernant la batterie et le chargeur

Nous avons consacré beaucoup de temps à la conception de chaque bloc-piles afin de nous assurer de vous fournir des batteries qui peuvent être utilisées sans danger, sont robustes et ont une énergie volumique élevée. Les cellules des batteries sont dotées d'un large éventail de dispositifs de sécurité. Chaque cellule individuelle est initialement formatée et ses courbes électriques caractéristiques sont enregistrées. Ces données sont ensuite utilisées exclusivement pour pouvoir assembler les meilleurs blocs-piles possible.

Malgré toutes ces mesures de précaution, il faut toujours faire preuve de prudence lors de la manipulation de batteries. Pour utiliser sans danger les batteries, les points suivants doivent être observés en permanence. L'utilisation sans danger peut uniquement être garantie si les cellules sont intactes. Toute manipulation inappropriée d'un bloc-piles peut endommager les cellules.

IMPORTANT! Les analyses confirment que la mauvaise utilisation de batteries à haut rendement et un entretien laissant à désirer sont les principaux facteurs responsables de dommages corporels et/ou matériels.

⚠️ AVERTISSEMENT! Utiliser uniquement des batteries de rechange homologuées. D'autres types de batteries

peuvent endommager la pelle à neige sans cordon et empêcher son bon fonctionnement, ce qui peut entraîner de graves blessures.

⚠️ AVERTISSEMENT! Ne pas utiliser un bloc-piles ou un chargeur endommagé ou modifié. Les batteries endommagées ou modifiées peuvent se comporter de manière imprévisible et provoquer un incendie ou une explosion ou présenter un risque de blessure.

Ne modifiez pas le chargeur ou le bloc-piles ou n'essayez pas de les réparer, sauf précisions contraires concernant leur utilisation ou leur entretien.

Faites réparer ou entretenir votre bloc-piles par un réparateur qualifié utilisant uniquement des pièces de rechange identiques. C'est à ce prix que la sécurité des blocs-piles sera préservée.

⚠️ MISE EN GARDE! Pour réduire le risque de blessures, charger les blocs-piles au lithium-ion iON+ 24V uniquement à l'aide du chargeur au lithium-ion iON+ 24V spécifiquement prévu à cet effet. Les autres types de chargeurs présentent des risques d'incendie et de dommages corporels et matériels. Ne brancher aucune batterie sur le secteur ou sur l'allumecigare d'une voiture. Le bloc-piles serait définitivement et irrémédiablement endommagé.

- **Évitez les environnements dangereux :** ne chargez pas les blocs-piles sous la pluie, sous la neige ou dans les endroits humides. N'utilisez pas les blocs-piles ou le chargeur lorsque l'atmosphère est explosive (effluents gazeux, poussière ou matières inflammables), des étincelles pouvant se produire lors de l'insertion ou du retrait des blocs-piles, ce qui pourrait provoquer un incendie.
- **Chargez dans un endroit bien ventilé :** ne bloquez pas les orifices de ventilation du chargeur. Dégagez le voisinage immédiat du chargeur pour qu'il soit bien ventilé. Interdisez de fumer et n'autorisez la présence d'aucune flamme nue à proximité d'un bloc-piles se chargeant. Le gaz dispersé dans l'atmosphère peut exploser.

REMARQUE : la plage de sécurité de températures pour la batterie se situe entre 5 °C et 40,5 °C. Ne chargez pas la batterie à l'extérieur lorsqu'il gèle, chargez-la à température ambiante.

- **Prenez soin du cordon du chargeur :** lorsque vous débranchez le chargeur, tirez sur la fiche dans la prise et non sur le cordon pour éviter d'endommager la fiche électrique et le cordon. Ne tirez jamais le chargeur par le cordon et ne tirez pas brusquement sur le cordon pour le retirer de la prise. Maintenez le cordon éloigné de la chaleur, de l'huile et des arêtes tranchantes. Pendant l'utilisation du chargeur, assurez-vous que personne ne marche sur le cordon, ne trébuche dessus et qu'il ne peut être ni endommagé ni soumis à des tensions ou des pressions. N'utilisez pas le chargeur si sa fiche ou son cordon est endommagé. Remplacez immédiatement tout chargeur endommagé.

- **N'utilisez pas de rallonge électrique, à moins que cela soit absolument nécessaire** : l'utilisation d'une rallonge électrique mal adaptée, endommagée ou mal branchée présente des risques d'incendie et de secousse électrique. S'il s'avère nécessaire d'utiliser une rallonge électrique, branchez le chargeur dans une rallonge électrique de calibre 16 ou plus gros, la fiche femelle correspondant à la fiche mâle sur le chargeur. Vérifiez que la rallonge électrique est en bon état.
- **Le chargeur XZ2600-0450 est prévu uniquement pour 100 – 240 VCA** : il doit être branché dans une prise appropriée.
- **Utilisez uniquement des accessoires recommandés** : l'utilisation d'un accessoire non recommandé ou vendu par le fabricant des blocs-piles ou du chargeur peut provoquer un incendie, une secousse électrique ou des blessures.
- **Débranchez tout chargeur non utilisé** : assurez-vous de retirer le bloc-piles d'un chargeur débranché.

⚠ AVERTISSEMENT! Pour réduire le risque de secousse électrique, toujours débrancher le chargeur avant d'effectuer un nettoyage ou un entretien. Ne pas laisser d'eau couler dans le chargeur. Pour réduire le risque de secousse électrique, utiliser un disjoncteur différentiel de fuite de terre (DDFT)

- **Ne brûlez pas ou n'incinerez pas les blocs-piles** : ils peuvent exploser et provoquer des dommages corporels ou matériels. Des émanations et des particules toxiques se dégagent des blocs-piles qui brûlent.
- **N'écrasez pas, ne faites pas tomber ou n'endommagez pas le bloc-piles** : n'utilisez pas le bloc-piles ou le chargeur s'il a reçu un coup brutal, s'il est tombé, s'il a été écrasé ou endommagé d'une façon ou d'une autre (c.-à-d., percé par un clou, frappé d'un coup de marteau, foulé au pied, etc.).
- **Ne démontez rien** : un remontage mal effectué peut présenter un risque important de secousse électrique, d'incendie ou d'exposition aux produits chimiques de la batterie. Si la batterie ou le chargeur sont endommagés, veuillez communiquer avec un revendeur Snow Joe® + Sun Joe® agréé ou appeler le service clientèle Snow Joe® + Sun Joe® au 1-866-SNOWJOE (1-866-766-9563) pour de l'aide.
- **Les produits chimiques des batteries peuvent occasionner de graves brûlures** : ne laissez jamais un bloc-piles endommagé entrer en contact avec la peau, les yeux ou la bouche. Si un bloc-piles endommagé laisse fuir des produits chimiques, utilisez des gants en caoutchouc ou en néoprène pour les éliminer sans danger. Si la peau est entrée en contact avec les fluides d'une batterie, lavez la zone affectée à l'eau et au savon et rincez au vinaigre. Si les yeux sont entrés en contact avec des produits chimiques de batterie, rincez immédiatement à grande eau pendant 20 minutes et consultez un médecin. Retirez les vêtements contaminés et jetez-les.

- **Ne provoquez pas de court-circuit** : un court-circuit se produira si un objet en métal relie les contacts positif et négatif d'un bloc-piles. Ne placez aucun bloc-piles près de tout ce qui peut provoquer un court-circuit, par exemple un trombone, une pièce de monnaie, une clé, une vis, un clou ou tout autre objet métallique. Un bloc-piles en court-circuit présente un risque d'incendie et peut blesser gravement.
- **Rangez le bloc-piles et son chargeur dans un endroit frais et sec** : ne les rangez pas dans un endroit où la température peut être supérieure à 40,5 °C, par exemple directement sous les rayons du soleil, à l'intérieur d'un véhicule ou dans un cabanon à structure métallique pendant l'été.

Renseignements sur la batterie

1. Le bloc-piles fourni avec votre pelle à neige sans cordon n'est que partiellement chargé. Le bloc-piles doit être chargé avant d'utiliser la machine pour la première fois.
2. Pour un rendement optimal du bloc-piles, évitez d'attendre qu'il soit presque déchargé et chargez-le fréquemment.
3. Rangez le bloc-piles dans un endroit frais, idéalement à 25 °C et chargez au moins à 40 %.
4. Les batteries au lithium-ion s'usent naturellement avec le temps. Le bloc-piles doit être remplacé au plus tard lorsque sa capacité chute à 80 % de sa capacité d'origine, neuf. Les cellules affaiblies dans un bloc-piles usé ne peuvent plus produire la forte intensité exigée pour que votre pelle à neige fonctionne normalement, et elles présentent donc un risque pour la sécurité.
5. Ne jetez pas les blocs-piles dans un feu nu, ils pourraient exploser.
6. Ne mettez pas le feu aux blocs-piles et ne les exposez pas à une flamme.
7. Ne déchargez jamais complètement les blocs-piles. Les cellules d'une batterie complètement déchargée seront endommagées. Le rangement prolongé et la non-utilisation d'une batterie partiellement déchargée sont les causes les plus communes d'une décharge complète. Arrêtez votre travail dès que vous remarquez que la puissance de la batterie chute ou dès que le système de protection électronique se déclenche. Rangez le bloc-piles uniquement s'il est à charge complète.
8. Protégez la batterie et la machine contre les surcharges. Les surcharges donneront rapidement lieu à une surchauffe et endommageront les cellules à l'intérieur du boîtier de batterie, même si cette surchauffe n'est pas visible de l'extérieur.
9. Évitez d'endommager les batteries et de les soumettre à des chocs. Remplacez immédiatement toute batterie qui est tombée d'une hauteur supérieure à un mètre ou qui a été soumise à des chocs violents, même si le boîtier du bloc-piles ne semble pas endommagé. Les cellules à l'intérieur de la batterie peuvent avoir été gravement endommagées. Dans ce cas, veuillez lire les

renseignements sur l'élimination des déchets en ce qui concerne les batteries.

10. Si le bloc-piles souffre d'une surcharge ou d'une surchauffe, le coupe-circuit de protection intégré coupe le moteur de la machine pour des raisons de sécurité.

IMPORTANT! N'appuyez plus sur la gâchette marche-arrêt si le coupe-circuit de protection a été activé. Ceci pourrait endommager le bloc-piles.

11. Utilisez uniquement des blocs-piles d'origine. L'utilisation d'autres blocs-piles présente un risque d'incendie et pourrait provoquer des blessures ou une explosion.

Renseignements sur le chargeur et le processus de charge

1. Veuillez vérifier les données marquées sur la plaque signalétique du chargeur de batterie. Assurez-vous de brancher le chargeur de batterie sur une source d'alimentation correspondant à la tension indiquée sur la plaque signalétique. Ne le branchez jamais sur une tension de secteur différente.
2. Protégez le chargeur de batterie et son cordon pour éviter de les endommager. Maintenez le chargeur et son cordon éloignés de la chaleur, de l'huile et des objets tranchants. Faites réparer sans délai les cordons endommagés par un technicien qualifié chez un revendeur Snow Joe® + Sun Joe® agréé ou appelez le service clientèle Snow Joe® + Sun Joe® au 1-866-SNOWJOE (1-866-766-9563).
3. Les fiches électriques doivent correspondre à la prise. N'apportez aucune modification, quelle qu'elle soit, à la fiche. N'utilisez pas de fiche d'adaptation avec les appareils mis à la terre. Des fiches non modifiées et des prises correspondantes réduiront le risque de secousse électrique.
4. Maintenez hors de portée des enfants le chargeur de batterie, le bloc-piles et la machine sans cordon.
5. N'utilisez pas le chargeur de batterie qui est fourni pour charger d'autres outils ou machines sans cordon.
6. Le bloc-piles devient chaud après une utilisation prolongée. Laissez le bloc-piles se refroidir à la température ambiante avant de le brancher dans le chargeur pour le charger.
7. Ne chargez pas la batterie de façon excessive. Ne dépassez pas le temps maximal de charge. Ce temps de charge ne s'applique qu'aux batteries déchargées. Recharger fréquemment un bloc-piles chargé ou partiellement chargé provoquera une surcharge et endommagera les cellules. Ne laissez pas la batterie branchée dans le chargeur pendant plusieurs jours consécutifs.
8. N'utilisez ou ne chargez jamais la batterie si vous soupçonnez qu'il y a plus de 12 mois qu'elle a été chargée pour la dernière fois. Il est extrêmement probable que le bloc-piles soit déjà dangereusement endommagé (décharge complète).









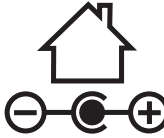
9. Si vous chargez la batterie à une température inférieure à 5 °C, vous endommagez les produits chimiques des cellules, ce qui peut provoquer un incendie.
10. N'utilisez pas les batteries qui ont été exposées à la chaleur pendant leur charge, car les cellules de batteries peuvent avoir été dangereusement endommagées.
11. N'utilisez pas les batteries qui se sont bombées ou ont subi des déformations pendant le processus de charge, ni celles présentant d'autres symptômes atypiques (échappement de gaz, sifflement, fissures, etc.).
12. Ne déchargez jamais complètement un bloc-piles (le niveau maximal de décharge est de 80 %). La décharge complète d'un bloc-piles entraînera le vieillissement prématuré de ses cellules.

Protection contre les influences environnementales

1. Portez des vêtements de travail adaptés. Portez des lunettes de sécurité.
2. Protégez votre machine sans cordon et le chargeur de batterie contre l'humidité et la pluie. L'humidité et la pluie peuvent endommager dangereusement les cellules.
3. N'utilisez pas la machine sans cordon ou le chargeur de batterie près de vapeurs ou de liquides inflammables.
4. Utilisez le chargeur de batterie et les outils ou machines sans cordon uniquement en milieu sec et à une température ambiante comprise entre 5 °C et 40,5 °C.
5. Ne conservez pas le chargeur de batterie dans les endroits où la température est susceptible d'être supérieure à 40,5 °C. Ne laissez surtout pas le chargeur de batterie dans une voiture qui stationne au soleil.
6. Protégez les batteries contre les surcharges. Les surcharges et l'exposition directe aux rayons du soleil entraînent une surchauffe des cellules et les endommagent. Ne chargez ou n'utilisez jamais de batteries qui ont surchauffé : au besoin, remplacez-les immédiatement.
7. Rangez le chargeur et votre machine sans cordon uniquement dans un endroit sec où la température ambiante est comprise entre 5 °C et 40,5 °C. Rangez votre bloc-piles au lithium-ion dans un endroit frais et sec à une température de 25 °C. Protégez le bloc-piles, le chargeur et la machine sans cordon contre l'humidité et les rayons du soleil directs. Rangez uniquement la batterie lorsqu'elle est à charge complète (chargée au minimum à 40 %).
8. Veillez à ce que le bloc-piles au lithium-ion ne gèle pas. Les blocs-piles qui ont été entreposés à une température inférieure à 0 °C pendant plus de 60 minutes doivent être éliminés.
9. Lorsque vous manipulez les batteries, prenez garde aux décharges électrostatiques, car elles peuvent endommager le système de protection électronique et les cellules des batteries. Évitez de produire des charges électrostatiques et ne touchez jamais les pôles d'une batterie.

Symboles de sécurité

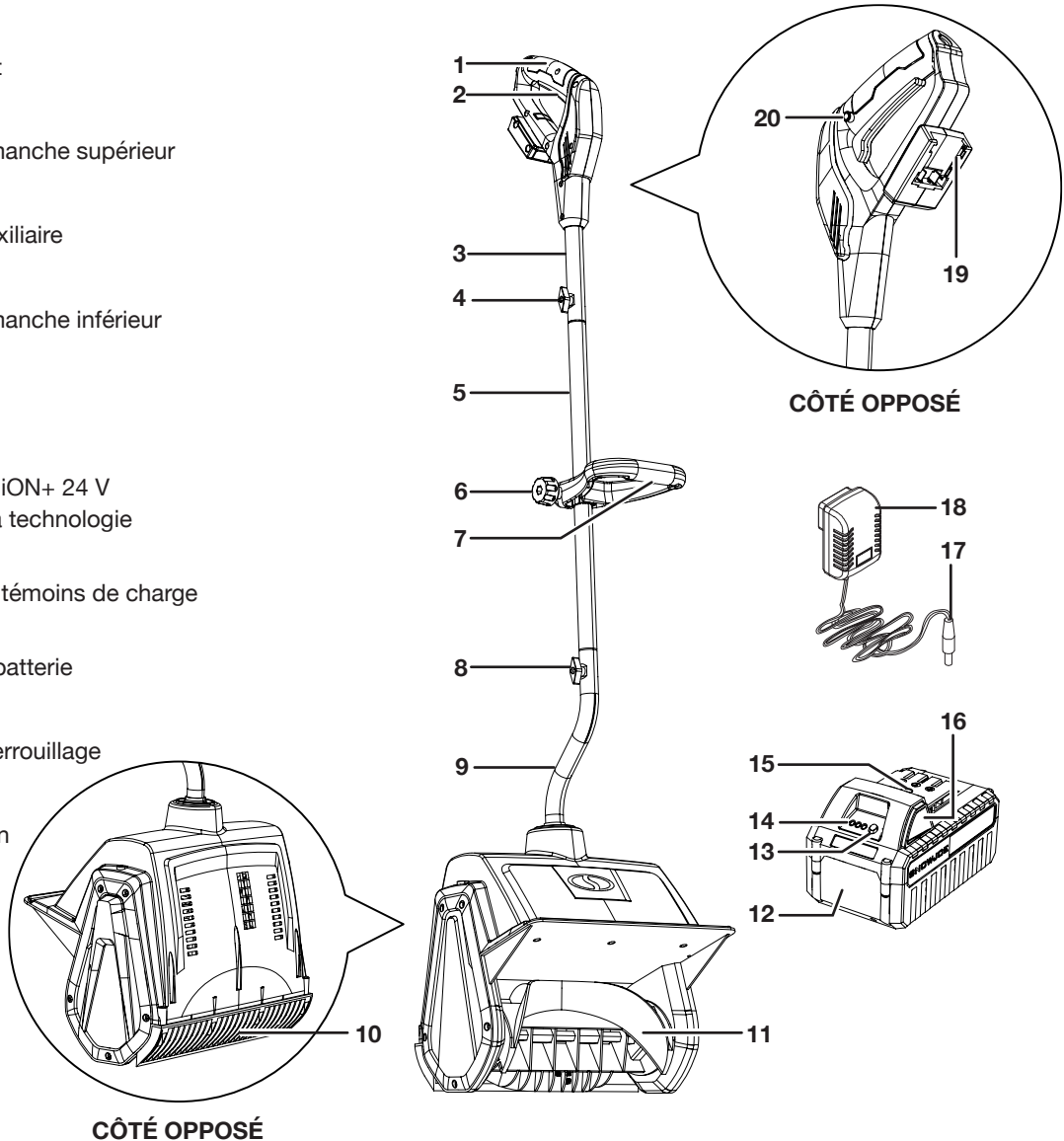
Le tableau suivant décrit et explique les symboles de sécurité pouvant être marqués sur cette machine. Avant d'essayer de procéder à son assemblage et de l'utiliser, lisez, comprenez et suivez toutes les instructions sur cette machine.

Symboles	Descriptions	Symboles	Descriptions
	LIRE LE OU LES MANUELS D'UTILISATION – Lire, comprendre et suivre toutes les instructions du ou des manuels avant d'essayer d'assembler et d'utiliser la machine.		AVERTISSEMENT! Ne pas utiliser la machine sous la pluie où par forte humidité. La maintenir au sec.
	ALERTE DE SÉCURITÉ – Indique une précaution, un avertissement ou un danger.		DANGER! Danger de coupure/ mutilation – Maintenir les pieds éloignés de la tarière rotative.
	Porter des protecteurs d'oreille. Porter des lunettes de protection. Porter un masque respiratoire.		MISE EN GARDE! Attention aux pierres et à tout ce qui pourrait être projeté par la machine.
	Pour la protection des mains, porter des gants de sécurité lors de l'utilisation de la machine.		Porter en permanence des chaussures de sécurité pour protéger les pieds contre toute chute d'objet accidentelle.
	Ne pas utiliser les mains pour déboucher la goulotte.		DANGER! Danger de coupure/ mutilation – Maintenir les mains éloignées de la tarière rotative. Ne pas utiliser les mains pour déboucher le carter de tarière. Arrêter le moteur avant de retirer des débris.
	Pour éviter de se blesser, maintenir les mains, les pieds et les vêtements éloignés de la tarière rotative.		Tous les spectateurs et les enfants doivent être maintenus à bonne distance (au moins 10 m) de la zone de travail.
	La pièce tournante continuera de tourner plusieurs secondes après avoir arrêté la machine.		Utilisation uniquement à l'intérieur. Utiliser uniquement le chargeur de batterie à l'intérieur.

Apprenez à mieux connaître votre pelle à neige sans cordon

Avant d'utiliser votre pelle à neige sans cordon, lisez attentivement le manuel d'utilisation et les consignes de sécurité. Comparez l'illustration ci-dessous avec votre machine afin de vous familiariser avec l'emplacement des différents réglages et commandes. Conservez ce manuel pour pouvoir le consulter dans le futur.

1. Poignée supérieure
2. Gâchette marche-arrêt
3. Manche supérieur
4. Bouton et boulon de manche supérieur
5. Manche intermédiaire
6. Bouton de poignée auxiliaire
7. Poignée auxiliaire
8. Bouton et boulon de manche inférieur
9. Manche inférieur
10. Lame de raclage
11. Lame de pelle
12. Batterie au lithium-ion iON+ 24 V (24VBAT) présentant la technologie exclusive EcoSharp®
13. Bouton-poussoir pour témoins de charge de batterie
14. Témoin de charge de batterie
15. Prise pour le chargeur
16. Bouton-poussoir de verrouillage
17. Fiche du chargeur
18. Chargeur au lithium-ion 24 V (XZ2600-0450)
19. Compartiment à batterie
20. Bouton-poussoir de sécurité



Données techniques

Moteur	400 W	Temps max. de charge de batterie	5 heures
Tension max. de la batterie*	24 VCC	Rotor.....	Tarière à 2 pales radiales en plastique
Capacité de la batterie	4,0 Ah	Régime à vide	1 650 tr/min ± 10 %
Autonomie max.	1 h 10 min (dégage jusqu'à 270 m ² de neige haute de 7,6 cm)	Largeur de déneigement	33 cm
Entrée du chargeur	100 – 240 VCA, 50 ~ 60 Hz, 19 W	Profondeur de tranchée de neige	15 cm
Sortie du chargeur	24 VCC, 500 mA	Distance max. de rejet	6 m
		Capacité max. de déneigement	136 kg/min
		Poids net	5,9 kg

*Tension initiale à vide; grimpe à 24 volts une fois à charge complète; la tension nominale sous charge typique est de 21,6 volts.

Déballage

Contenu de la caisse

- Ensemble manche supérieur de pelle à neige
- Ensemble manche inférieur de pelle à neige
- Ensemble manche intermédiaire de pelle à neige
- Bouton et boulon de manche (2 jeux)
- Batterie au lithium-ion iON+ 24V
- Chargeur de batterie au lithium-ion iON+ 24V
- Manuels et carte d'enregistrement

1. Retirez soigneusement la pelle à neige sans cordon de la caisse et inspectez-la pour vérifier que tous les éléments énumérés ci-dessus sont fournis.
2. Inspectez soigneusement le contenu afin de vous assurer qu'aucun élément ne s'est cassé ou n'a été endommagé pendant le transport. Si vous constatez que des pièces manquent ou sont endommagées, NE PAS retourner la caisse au magasin. Veuillez appeler le service clientèle Snow Joe® + Sun Joe® au 1-866-SNOWJOE (1-866-766-9563).

REMARQUE : ne jetez pas la caisse d'expédition et l'emballage tant que vous n'êtes pas prêt à utiliser votre nouvelle pelle à neige sans cordon. L'emballage est fabriqué dans des matériaux recyclables. Éliminez ces matériaux de façon appropriée et conformément aux réglementations locales.

IMPORTANT! La machine et son emballage ne sont pas des jouets. Ne laissez pas les enfants jouer avec les sacs en plastique, les feuilles métalliques ou les petites pièces. Ces éléments peuvent être avalés et risquent de provoquer une suffocation!

Utilisation du bloc-piles

La machine est alimentée par une batterie au lithium-ion. Le bloc-piles est entièrement scellé et sans entretien.






⚠️ AVERTISSEMENT! Avant sa première utilisation, la batterie nécessite d'être rechargée pendant au moins cinq heures pour être à charge complète. Lorsque la batterie est faible, la recharger pendant cinq heures avant de l'utiliser à nouveau.

Témoins de charge de batterie

Le bloc-piles est équipé d'un bouton-poussoir pour vérifier le niveau de charge. Appuyez simplement sur le bouton-poussoir pour lire le niveau de charge de la batterie à l'aide des témoins de charge :

- Les témoins de charge sont tous les trois allumés : le niveau de charge de batterie est élevé.
- Deux témoins de charge sont allumés : le niveau de charge de batterie diminue. Arrêtez votre travail dès que possible.

- Un témoin de charge est allumé : la batterie est épuisée. Arrêtez IMMÉDIATEMENT votre travail et chargez la batterie. Sinon, la longévité de la batterie s'en trouvera considérablement réduite.

	
Témoins	Indications
	Bouton de niveau de charge
	La batterie est à 30 % de sa capacité et nécessite d'être chargée
	La batterie est à 60 % de sa capacité et nécessite d'être chargée bientôt
	La batterie est à charge complète

REMARQUE : si le bouton de niveau de charge ne semble pas fonctionner, branchez la batterie dans le chargeur et chargez selon les besoins.

REMARQUE : immédiatement après avoir utilisé le bloc-piles, le bouton de niveau de charge peut afficher une charge plus faible que si la vérification avait eu lieu quelques minutes plus tard. Les cellules des batteries « récupèrent » une partie de leur charge après une période de repos.

Utilisation du chargeur

⚠️ AVERTISSEMENT! Chargez uniquement les blocs-piles au lithium-ion iON+ 24V à l'aide du chargeur au lithium-ion iON+ 24 V compatible. Les autres types de batteries peuvent causer des dommages corporels et matériels.

Pour réduire le risque de secousse électrique, ne laissez pas d'eau couler dans la fiche du chargeur CA/CC.

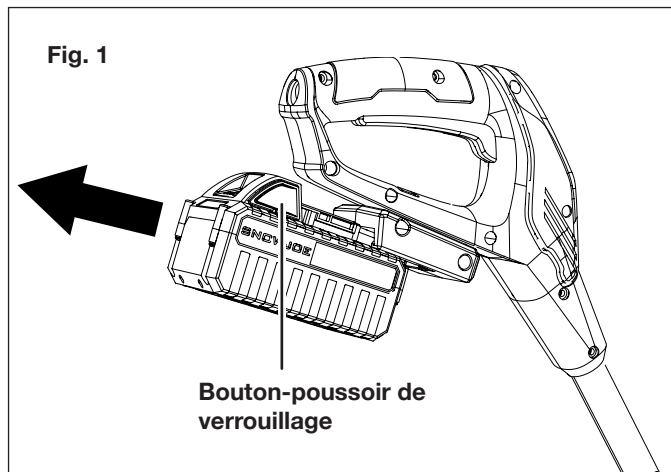
Quand charger la batterie au lithium-ion iON+ 24VBAT

REMARQUE : les blocs-piles au lithium-ion iON+ 24VBAT ne présentent pas « d'effet mémoire » quand ils sont chargés après une simple décharge partielle. C'est pourquoi il n'est pas nécessaire de décharger le bloc-piles avant de le placer dans le chargeur.

- Utilisez les témoins de charge de batterie pour déterminer quand charger votre bloc-piles au lithium-ion iON+ 24VBAT.
- Vous pouvez « compléter » la charge du bloc-piles avant de démarrer un gros travail ou après une longue journée d'utilisation.

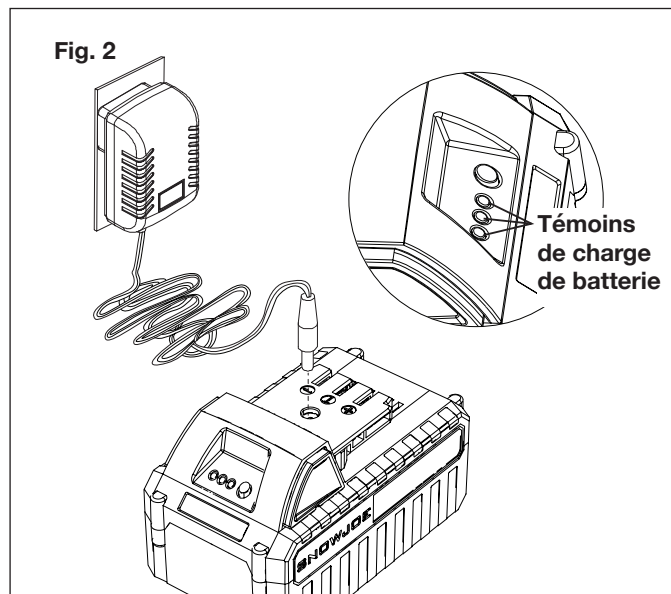
Comment charger la batterie

1. Appuyez sur le bouton-poussoir de verrouillage sur le bloc-piles pour le sortir de la machine en le tirant (Fig. 1).



2. Vérifiez que la tension de secteur est la même que celle marquée sur la plaque signalétique du chargeur de batterie. Branchez ensuite l'adaptateur de chargeur dans une prise de secteur appropriée. Pour commencer à charger, branchez la fiche du chargeur dans la prise de charge de la batterie (Fig. 2).

REMARQUE : si la fiche n'est pas compatible ou doit être branchée dans une prise en dehors de l'Amérique du Nord, utilisez un adaptateur de fiche pour la configuration de la prise électrique.



3. Il faut environ cinq heures pour charger la batterie. Les témoins de charge de batterie scintilleront et s'allumeront un par un pendant le processus de charge. Débranchez immédiatement le chargeur lorsque les témoins de charge sont tous les trois allumés.

⚠ MISE EN GARDE! RISQUE D'INCENDIE. Pour débrancher le chargeur de la batterie, s'assurer de débrancher d'abord le chargeur de la prise, puis débrancher le cordon du chargeur de la batterie

⚠ AVERTISSEMENT! Ce chargeur ne s'éteint pas automatiquement lorsque la batterie est à charge complète. Veiller à ne pas laisser la batterie branchée dans le chargeur. Éteindre le chargeur ou le débrancher du secteur une fois que la batterie est à charge complète.

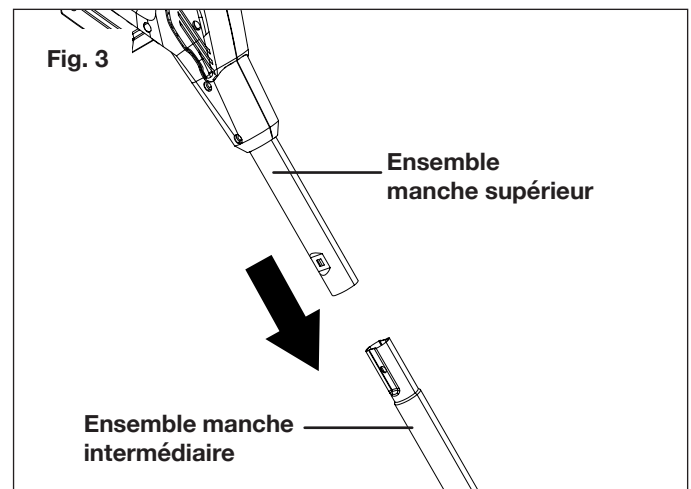
4. Recharger la batterie au moment opportun prolongera sa durée de vie. Vous devez recharger le bloc-piles quand vous remarquez une chute de puissance de la machine.

IMPORTANT! Ne laissez jamais le bloc-piles se décharger complètement, car ceci endommagerait irrémédiablement la batterie.

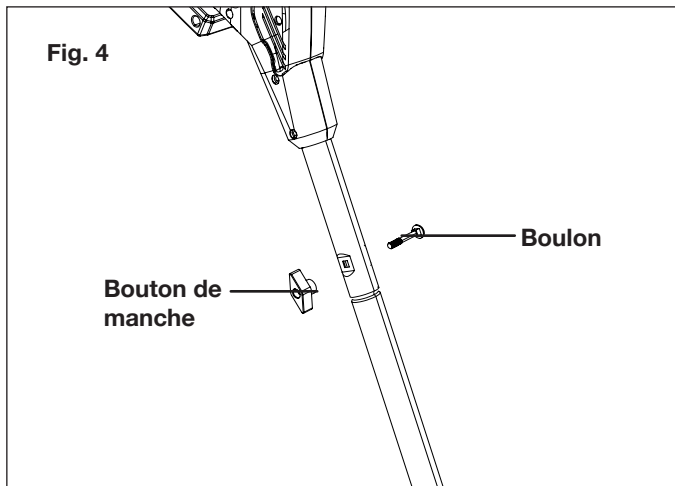
Assemblage

Raccordement des éléments du manche

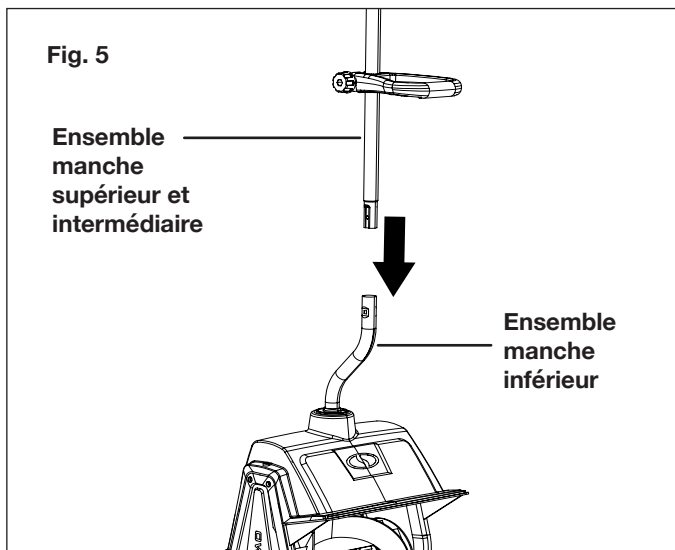
1. Raccordez l'ensemble manche supérieur à l'ensemble manche intermédiaire. Alignez les trous de vis (Fig. 3).



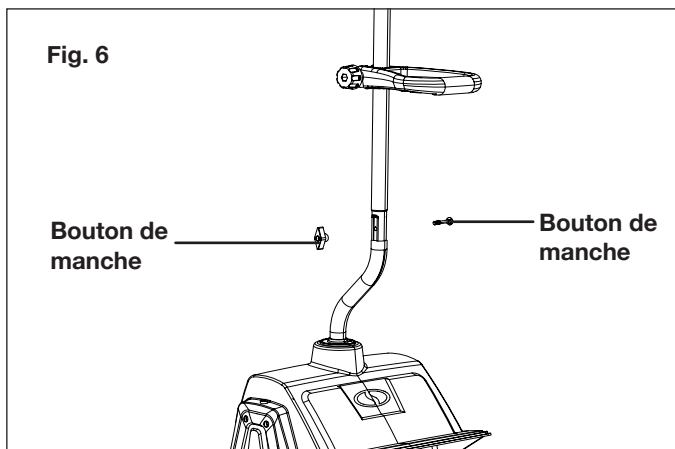
2. Insérez un boulon en le faisant passer à travers les trous alignés des éléments du manche et attachez l'autre extrémité à l'aide d'un bouton (Fig. 4). Tournez jusqu'à ce que le boulon soit bien serré.



3. Raccordez l'ensemble manche supérieur et l'ensemble manche intermédiaire à l'ensemble manche inférieur. Alignez les trous de vis (Fig. 5).



4. Insérez un boulon en le faisant passer à travers les trous alignés des éléments du manche et attachez l'autre extrémité à l'aide d'un bouton (Fig. 6). Tournez jusqu'à ce que le boulon soit bien serré.



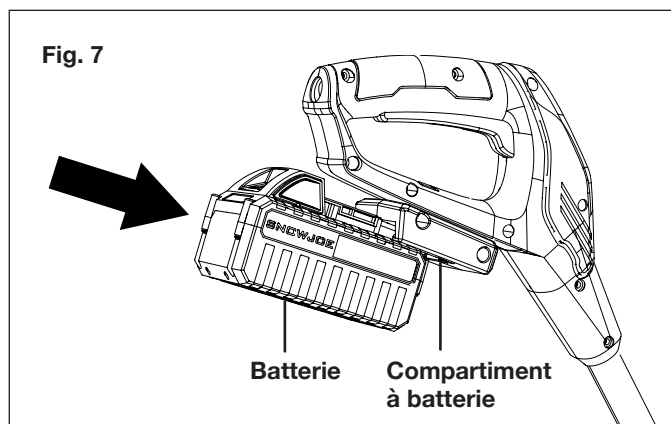
REMARQUE : pour empêcher les câbles à l'intérieur des éléments du manche de compliquer l'assemblage, assurez-vous de raccorder d'abord l'ensemble manche supérieur à l'ensemble manche intermédiaire. Lors de l'insertion du boulon, il se peut que vous deviez déplacer d'un côté les câbles à l'intérieur des éléments du manche.

Utilisation

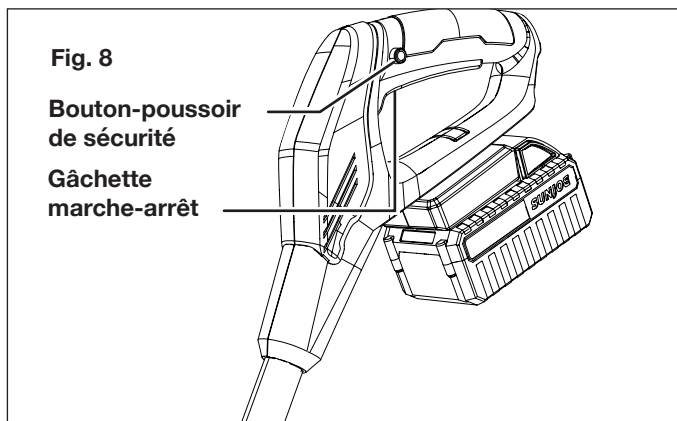
⚠️ AVERTISSEMENT! Maintenir la zone à déneiger exempte de pierres, jouets ou autres corps étrangers que les lames rotatives pourraient ramasser et rejeter. Ces corps étrangers pourraient être couverts de neige et passer facilement inaperçus. Par conséquent, s'assurer de bien inspecter la zone de travail avant de commencer à déneiger.

Démarrage de la machine

1. Faites glisser vers le bas la batterie dans le compartiment à batterie jusqu'à ce qu'elle s'encliquette pour se verrouiller une fois en place (Fig. 7).



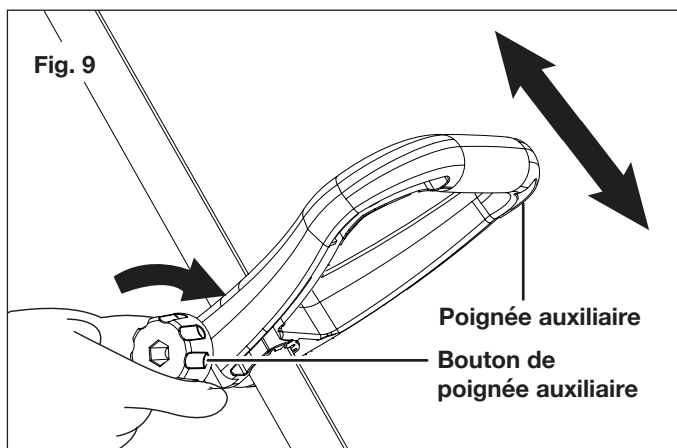
2. Pour démarrer la pelle à neige sans cordon, appuyez sur l'interrupteur de sécurité sur le côté de la poignée en le maintenant enfoncé à l'aide du pouce et pressez ensuite la gâchette marche-arrêt à l'aide des doigts. Une fois que la machine est en marche, vous pouvez relâcher l'interrupteur de sécurité et commencer à déblayer la neige (Fig. 8).



3. Pour arrêter la pelle à neige sans cordon, relâchez la gâchette marche-arrêt.

Réglage de la poignée auxiliaire

1. Desserrez le bouton de poignée auxiliaire.
2. Déplacez la poignée auxiliaire jusqu'à ce que vous obteniez une position de travail confortable (Fig. 9).
3. Serrez le bouton de poignée auxiliaire (Fig. 9).



REMARQUE : afin d'empêcher la poignée auxiliaire de se déplacer autour du manche ou de glisser dessus, assurez-vous de bien serrer le bouton de poignée.

Conseils d'utilisation

- Démarrez la pelle à neige sans cordon. Poussez la pelle à une vitesse confortable pour vous, mais suffisamment lentement pour déblayer complètement la neige. La largeur de la tranchée pratiquée dans la neige par la pelle à neige et la profondeur de la chute de neige doivent déterminer votre vitesse d'avancement.
- Orientez la neige rejetée vers la droite ou vers la gauche en imprimant un léger angle à la pelle à neige sans cordon.
- Pour déneiger plus efficacement, rejetez la neige dans le sens du vent et en pratiquant des tranchées se chevauchant légèrement.

- Si vous devez déneiger un revêtement recouvert de gravier ou de gravillons, appuyez sur la poignée vers le bas pour lever la lame de raclage et éviter que des gravillons se prennent dans la tarière rotative et soient rejetés.
- Cette pelle à neige sans cordon taille une tranchée de 33 cm de largeur pouvant mesurer jusqu'à 15 cm de profondeur, en un seul passage.
- Pour dégager des congères plus profondes, tenez la pelle à neige sans cordon par les poignées supérieure et inférieure et effectuez un mouvement de balancement ou de balayage. Déblayez jusqu'à 15 cm de neige à chaque passage et répétez autant de fois que nécessaire.
- Retirez la batterie après utilisation de la pelle à neige sans cordon. Suspendez la pelle à neige pour ne pas la perdre ou l'endommager.

Entretien

Pour commander des pièces de rechange ou des accessoires d'origine pour la pelle à neige sans cordon Snow Joe® 24V-SS13, veuillez vous rendre sur le site www.snowjoe.com ou communiquer avec le service clientèle Snow Joe® + Sun Joe® au 1-866-SNOWJOE (1-866-766-9563).

Entretien approprié pour la batterie et le chargeur

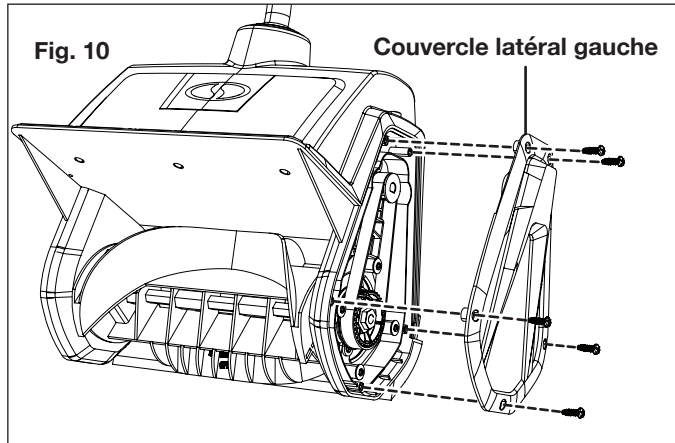
⚠ AVERTISSEMENT! Pour réduire le risque de se blesser, toujours débrancher le chargeur de la prise secteur et débrancher le bloc-piles du chargeur avant d'effectuer toute tâche d'entretien. Ne jamais démonter le bloc-piles ou le chargeur. Pour toutes les réparations, communiquer avec un revendeur Snow Joe® + Sun Joe® ou le service clientèle Snow Joe® + Sun Joe®.

1. Pour réduire le risque de vous blesser, ne plongez jamais votre bloc-piles ou votre chargeur dans un liquide et ne laissez jamais de liquide pénétrer à l'intérieur de ces composants.
2. Nettoyez la poussière et les débris des ouvertures de ventilation du chargeur et des contacts électriques en soufflant dessus de l'air comprimé.
3. Pour nettoyer le bloc-piles et le chargeur, utilisez uniquement un savon doux sur un chiffon mouillé, en le tenant à l'écart de tous les contacts électriques. Certains agents de nettoyage ou solvants peuvent attaquer les pièces en plastique ou isolées. Parmi ceux-ci figurent l'essence, l'essence de térébenthine, les diluants à peinture-laque, les diluants pour peintures, les solvants de nettoyage chlorés, l'ammoniac et les détergents ménagers contenant de l'ammoniac. N'utilisez jamais de solvants inflammables ou combustibles autour de blocs-piles, de chargeurs de batterie, de machines ou d'outils.
4. Le chargeur de batterie au lithium-ion iON+ 24V ne comporte aucune pièce réparable par l'utilisateur.

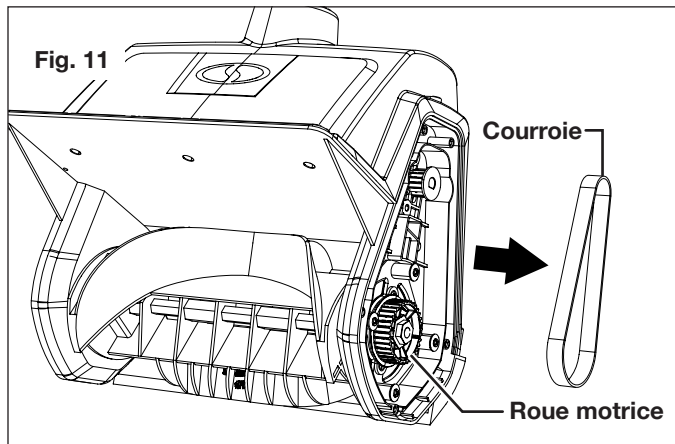
Remplacement de la tarière

⚠ AVERTISSEMENT! S'assurer d'arrêter la machine et de retirer la batterie avant de procéder à toute tâche d'entretien sur la pelle à neige sans cordon.

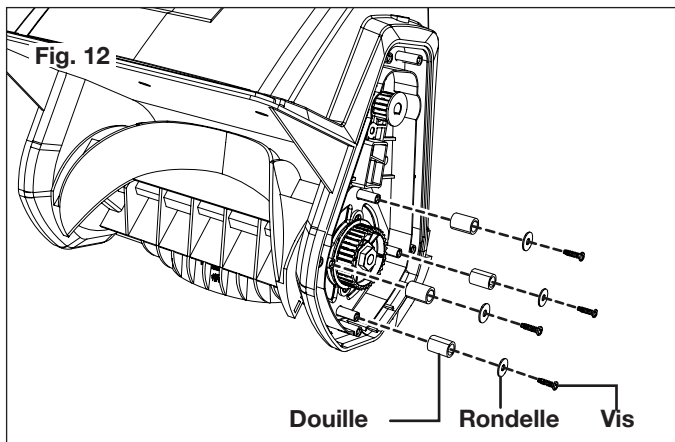
1. Démontez le couvercle latéral gauche en retirant les cinq (5) vis qui le maintiennent en place (Fig. 10).



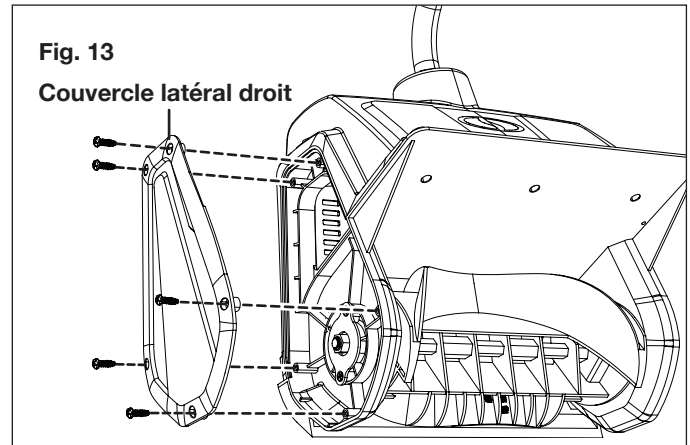
2. Retirez la courroie de la roue motrice (Fig. 11).



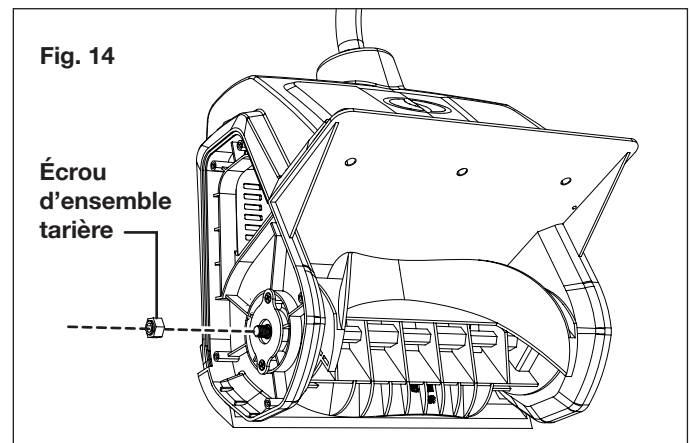
3. Retirez les vis, les rondelles et les douilles de la roue motrice (Fig. 12).



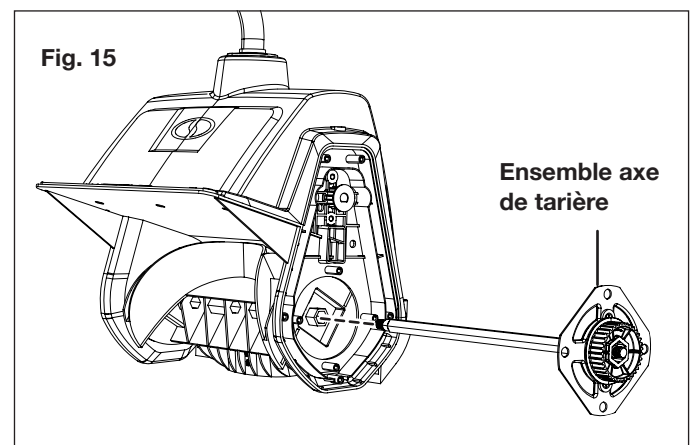
4. Démontez le couvercle latéral droit en retirant les cinq (5) vis qui le maintiennent en place (Fig. 13).



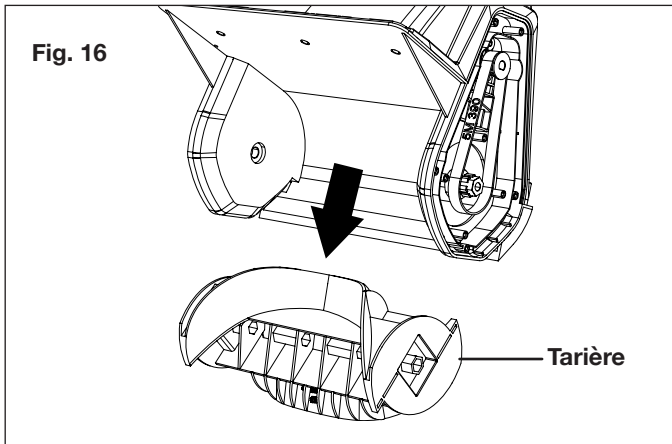
5. Utilisez une main pour tenir la tarière et, en même temps, utilisez l'autre main pour retirer l'écrou de l'ensemble tarière du côté droit (Fig. 14).



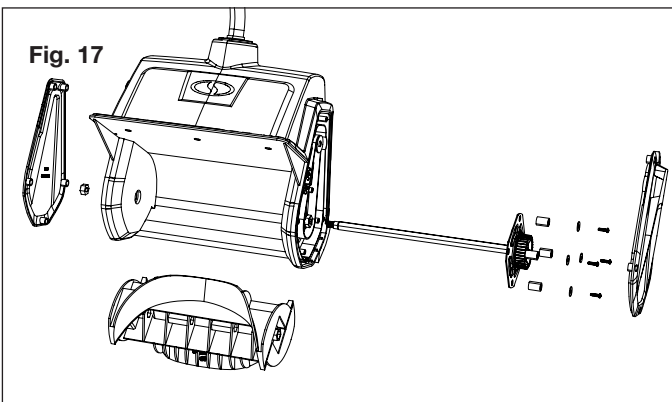
6. Du côté gauche, retirez l'ensemble axe de la tarière (Fig. 15).



7. Retirez de son logement la tarière à remplacer (Fig. 16).



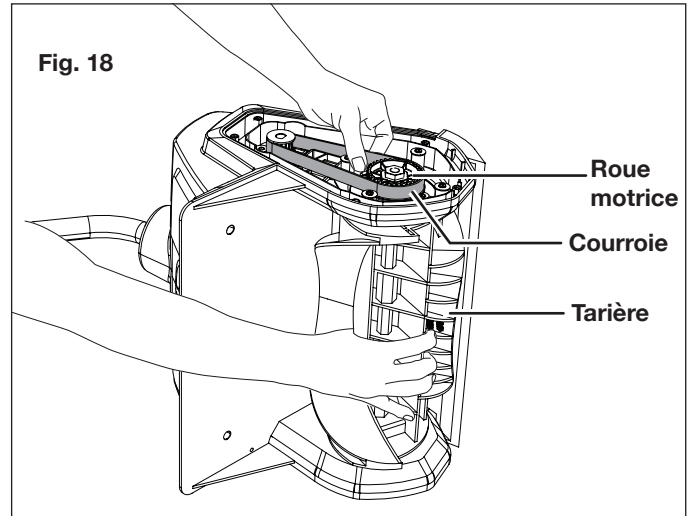
8. Posez la tarière de recharge en suivant les étapes ci-dessus en ordre inverse (Fig. 17).



Remplacement de la courroie

⚠ AVERTISSEMENT! S'assurer d'arrêter la machine et de retirer la batterie avant de procéder à toute tâche d'entretien sur la pelle à neige sans cordon.

1. Démontez le couvercle latéral gauche en retirant les cinq (5) vis qui le maintiennent en place (Fig. 10).
2. Pour retirer de la roue motrice la courroie à remplacer, utilisez une main pour faire tourner lentement la tarière tout en utilisant l'autre main pour lever la courroie (Fig. 18).

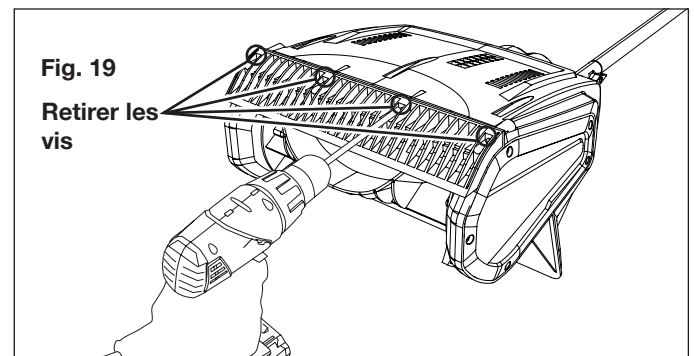


3. Posez une courroie neuve à la place de l'ancienne courroie. Remettez en place le couvercle latéral gauche et revissez les cinq (5) vis.

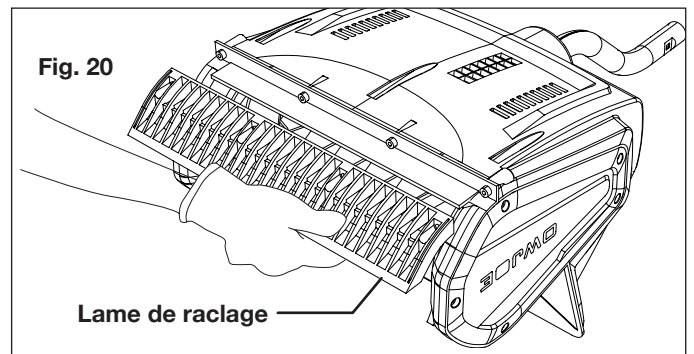
Remplacement de la lame de raclage

⚠ AVERTISSEMENT! S'assurer d'arrêter la machine et de retirer la batterie avant de procéder à toute tâche d'entretien sur la pelle à neige sans cordon.

1. Retournez la pelle à neige. À l'aide d'un tournevis électrique, retirez les quatre (4) vis qui attachent la lame de raclage à la base de la machine (Fig. 19).



2. Retirez la lame de raclage à changer (Fig. 20).



3. Posez la nouvelle lame de raclage et attachez-la solidement au carter à l'aide des quatre (4) vis (Fig. 21).

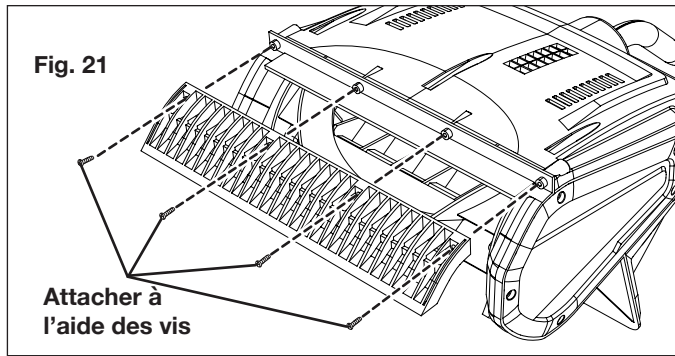


Fig. 21

Attacher à l'aide des vis

Lubrification de la pelle à neige sans cordon

Cette pelle à neige sans cordon ne nécessite aucune lubrification. Tous les roulements sont lubrifiés à l'usine pour la durée de vie de la machine.

Remisage

1. Examinez minutieusement la pelle à neige sans cordon pour vérifier qu'aucune pièce n'est usée, desserrée ou endommagée. Si vous devez faire réparer ou remplacer une pièce, communiquez avec votre revendeur Snow Joe® + Sun Joe® ou appelez le service à la clientèle Snow Joe® + Sun Joe® au 1-866-SNOWJOE (1-866-766-9563) pour de l'aide.
2. Retirez la batterie de la pelle à neige sans cordon avant de le remisage.
3. Remisez la pelle à neige sans cordon à l'intérieur, dans un endroit sec, sous clé et hors de portée des enfants, et ce pour éviter toute utilisation non autorisée de la machine ou l'endommager.

Rangement hors-saison de la batterie et du chargeur

1. N'exposez pas le bloc-piles ou le chargeur à l'eau, à la pluie ou à tout ce qui pourrait les rendre humides. Le chargeur et le bloc-piles pourraient être endommagés de façon permanente. N'utilisez ni huile ni solvants pour nettoyer ou lubrifier le bloc-piles, et ce dans la mesure où le boîtier en plastique pourrait devenir cassant, se fissurer et risquer de blesser quelqu'un.
2. Rangez le bloc-piles et le chargeur à température ambiante et dans un endroit non humide. Ne les rangez pas dans un endroit humide où les bornes pourraient se corroder. Comme pour les autres types de blocs-piles, une perte de capacité permanente peut se produire si le bloc-piles est rangé pendant de longues périodes à des températures élevées (supérieures à 49 °C).

3. Les blocs-piles au lithium-ion iON+ 24VBAT restent chargés plus longtemps que les autres types de blocs-piles lorsqu'ils sont rangés. En règle générale, il est préférable de débrancher le chargeur de batterie de la prise secteur et de débrancher le bloc-piles du chargeur lorsque vous ne les utilisez pas. Hors-saison, avant de le ranger et pour maintenir son rendement optimal, rechargez le bloc-piles tous les six mois jusqu'à 60 % de sa capacité (deux témoins de charge allumés).

Mise en garde concernant les batteries et informations sur leur élimination

Éliminez toujours les blocs-piles en vous conformant aux réglementations fédérales, provinciales ou territoriales et locales. Communiquez avec un organisme de recyclage de votre région pour obtenir la liste des sites de recyclage.

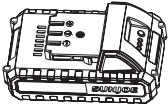
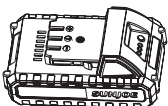



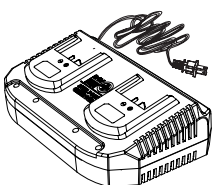

⚠ MISE EN GARDE! Même déchargés, les blocs-piles emmagasinent une certaine énergie. Avant de l'éliminer, utiliser du ruban isolant pour couvrir les bornes et empêcher ainsi le bloc-piles de provoquer un court-circuit, ce qui pourrait causer un incendie ou une explosion.

⚠ AVERTISSEMENT! Pour réduire le risque de blessure ou d'explosion, ne jamais brûler ou incinérer un bloc-piles, même s'il est endommagé, à plat ou complètement déchargé. En brûlant, des vapeurs et des matières toxiques sont émises dans l'atmosphère environnante.

1. Les batteries varient selon le type d'outils ou de machines. Consultez le manuel pour des renseignements spécifiques.
2. S'il en faut plusieurs, insérez uniquement des blocs-piles neufs de même type dans votre outil ou machine.
3. Si, en l'insérant, la polarité de la batterie n'est pas respectée, comme indiqué dans le compartiment à batterie ou dans le manuel, sa durée de vie pourrait être réduite ou elle pourrait fuir.
4. Ne mélangez pas des batteries anciennes et des neuves.
5. Ne mélangez pas des batteries alcalines, standard (carbone/zinc) ou rechargeables (au nickel-cadmium, au nickel-métal-hydrure ou au lithium-ion).
6. Ne jetez pas les batteries au feu.
7. Les batteries doivent être recyclées ou éliminées en observant les directives provinciales ou territoriales et locales.

Accessoires en option

⚠️ AVERTISSEMENT! TOUJOURS utiliser des pièces de rechange et des accessoires Snow Joe® + Sun Joe® homologués. NE JAMAIS utiliser des pièces ou des accessoires qui ne sont pas destinés à être utilisés avec cette pelle à neige sans cordon. Communiquez avec Snow Joe® + Sun Joe® si vous n'êtes pas sûr que l'utilisation d'une pièce de rechange ou d'un accessoire particulier avec votre pelle à neige sans cordon soit sans danger. L'utilisation de tout autre accessoire ou de toute autre pièce détachée peut être dangereuse et pourrait provoquer des dommages corporels ou des détériorations d'origine mécanique.

Accessoires	Description	Modèle
	Batterie au lithium-ion 2,0 Ah iON+ 24V <i>Autonomie max. : 35 min (dégage jusqu'à 160 m² de neige haute de 7,6 cm)</i>	24VBAT-LTE
	Batterie au lithium-ion 2,5 Ah iON+ 24V <i>Autonomie max. : 40 min (dégage jusqu'à 190 m² de neige haute de 7,6 cm)</i>	24VBAT-LT
	Batterie au lithium-ion 4,0 Ah iON+ 24V <i>Autonomie max. : 1 h 10 min (dégage jusqu'à 270 m² de neige haute de 7,6 cm)</i>	24VBAT
	Batterie au lithium-ion 5,0 Ah iON+ 24V <i>Autonomie max. : 1 h 20 min (dégage jusqu'à 330 m² de neige haute de 7,6 cm)</i>	24VBAT-XR
	Chargeur rapide de batterie au lithium-ion iON+ 24V	24VCHRG-QC
	Double chargeur de batteries au lithium-ion iON+ 24V	24VCHRG-DPC
	Housse protectrice universelle de 33 cm pour pelles à neige	SJCVR-13

REMARQUE : les accessoires sont sous réserve de changement sans aucune obligation de la part de Snow Joe® + Sun Joe®. Les accessoires peuvent être commandés en ligne sur le site snowjoe.com ou par téléphone en appelant le service clientèle Snow Joe® + Sun Joe® au 1-866-SNOWJOE (1-866-766-9563).



LA PROMESSE DE SNOW JOE® + SUN JOE® À SES CLIENTS

Vous êtes notre client et Snow Joe, LLC (« Snow Joe ») **SE MET EN QUATRE** pour vous servir. Nous nous efforçons de vous rendre l'utilisation de nos produits aussi plaisante que possible. Malheureusement, il peut arriver qu'un produit Snow Joe®, Sun Joe® ou Aqua Joe (« Produit ») ne fonctionne pas ou se casse dans des conditions d'utilisation normales. Nous pensons qu'il est important que vous sachiez ce que vous pouvez attendre de nous. C'est pourquoi nous avons une garantie limitée (« Garantie ») pour nos Produits.

NOTRE GARANTIE :

Snow Joe déclare et garantit que les Produits neufs, d'origine, électriques ou non électriques sont exempts de vices de matière ou de fabrication et, lorsqu'ils font l'objet d'une utilisation résidentielle et ménagère ordinaire, les garantit pendant une période de deux ans à compter de la date d'achat au détail par l'acheteur primitif auprès de Snow Joe ou d'un des revendeurs agréés de Snow Joe, preuve d'achat à l'appui. Étant donné que Snow Joe ne peut pas contrôler la qualité de ses Produits vendus par des revendeurs non agréés, sauf stipulation contraire de la loi, la présente Garantie ne couvre pas les Produits achetés auprès de vendeurs non agréés. Si votre Produit ne fonctionne pas ou si une pièce spécifique couverte par les modalités de la présente Garantie fait l'objet d'un problème quelconque, Snow Joe choisira (1) de vous envoyer une pièce de rechange gratuite, (2) de remplacer le Produit par un produit neuf ou comparable, gratuitement, ou (3) de réparer le Produit. Génial, n'est-ce pas?

La présente Garantie vous donne des droits judiciaires spécifiques, et vous pouvez également avoir d'autres droits qui peuvent varier d'une province ou d'un territoire à l'autre.

ENREGISTREMENT DU PRODUIT :

Snow Joe vous recommande vivement d'enregistrer votre Produit. Vous pouvez l'enregistrer en ligne sur le site snowjoe.com/register, ou en imprimant et en envoyant par courrier une carte d'enregistrement offerte en ligne sur notre site Web, ou par téléphone en appelant notre Service à la clientèle au **1-866-SNOWJOE (1-866-766-9563)**, ou encore en nous envoyant un courriel à l'adresse help@snowjoe.com. Le fait de ne pas enregistrer l'achat de votre Produit n'a aucune conséquence sur vos droits concernant la garantie. Toutefois, l'enregistrement de votre Produit permettra à Snow Joe de mieux répondre au moindre besoin que vous pourriez avoir en matière de service à la clientèle.

QUI PEUT REVENDIQUER LA COUVERTURE DE LA GARANTIE?

La présente Garantie est étendue par Snow Joe à l'acheteur et propriétaire primitif du Produit.

QU'EST-CE QUI N'EST PAS COUVERT?

La présente Garantie ne s'applique pas si le Produit a été utilisé commercialement, pour des travaux non résidentiels ou s'il fait l'objet d'une location. La présente Garantie ne s'applique pas non plus si le Produit a été acheté auprès d'un revendeur non agréé. La présente garantie ne couvre pas non plus les changements cosmétiques qui n'affectent pas le rendement. Les pièces d'usure comme les courroies, les tarières, les chaînes et les dents ne sont pas couvertes au titre de la présente Garantie et peuvent être achetées en ligne sur le site snowjoe.com ou en appelant le **1-866-SNOWJOE (1-866-766-9563)**.



snowjoe.com