



7/21/2022 24V-X2-17LM Blade Tighten Rework

Revision: 001

Consumer Inspection and Repair Instructions

The Hazard: the mower blade can detach unexpectedly, posing a laceration hazard.

Goal: Ensure that lawn mower blade is secured in place to manufacturer's specifications

Tools Needed: Ratchet Wrench

Training Needed: Basic familiarity with hand tools. Please contact Snow Joe at 800-641-2917 or by email at recalls@snowjoe.com if you have any questions regarding the inspection and repair or if you would like assistance in finding a repair center that can provide this service at no cost to you.

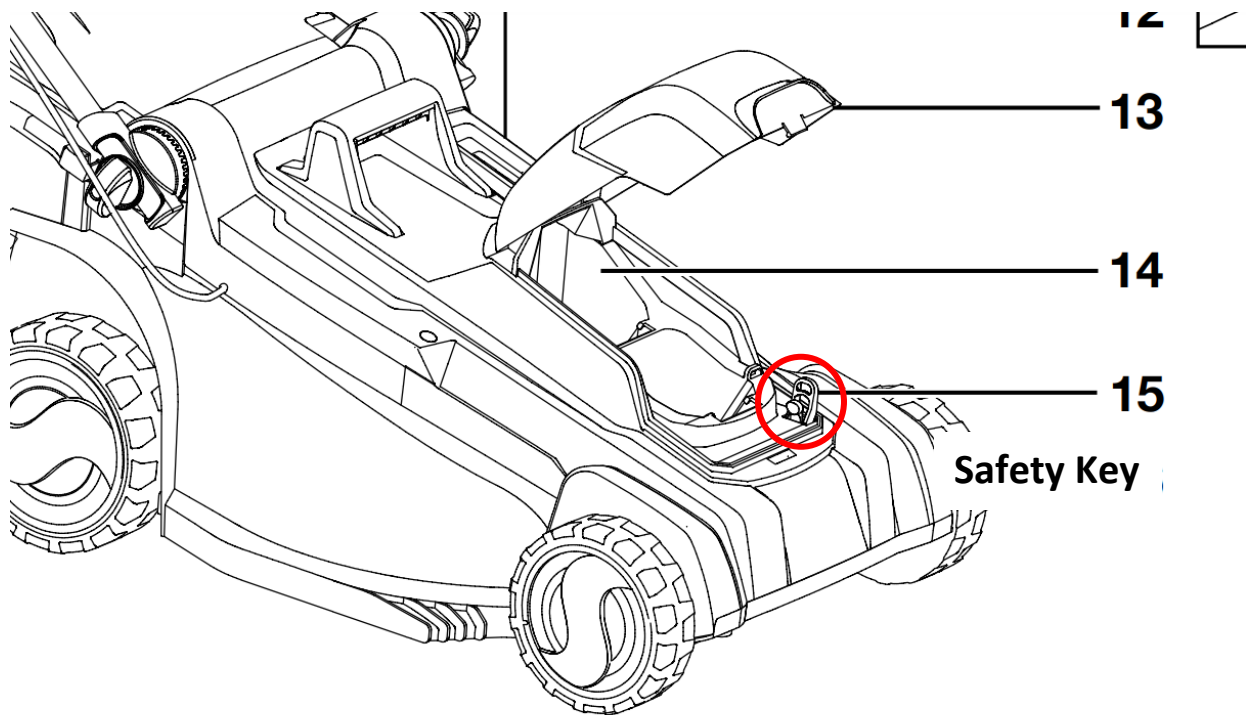
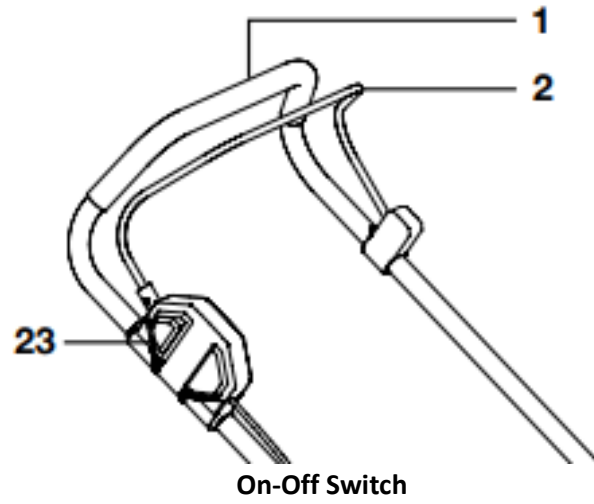
Time Needed: Approximately 5 Minutes

1. **⚠ WARNING** Read, understand, and follow all instructions before starting to repair the mower.
2. Disconnect the lawn mower – Turn OFF and REMOVE the batteries and the safety key before inspecting the mower.
3. Only responsible adults who are familiar with the instructions should be allowed to repair this machine.
4. Keep children, bystanders, and pets away – Always keep children and spectators a safe distance away from the mower during this inspection.
5. Dress properly – Always wear personal safety gear (i.e. glasses, rubber gloves, and protective footwear) and proper clothing when inspecting the mower. Loose clothing, long hair or jewelry may get caught in the moving parts.
6. Stay alert – Always be alert and watch what you are doing. Use common sense. Do not perform this operation with the lawn mower when you are tired or under the influence of alcohol or drugs.
7. Mower blade is sharp. Wrap the blade or wear gloves and use extra caution when servicing it.

Mower Inspection and Repair

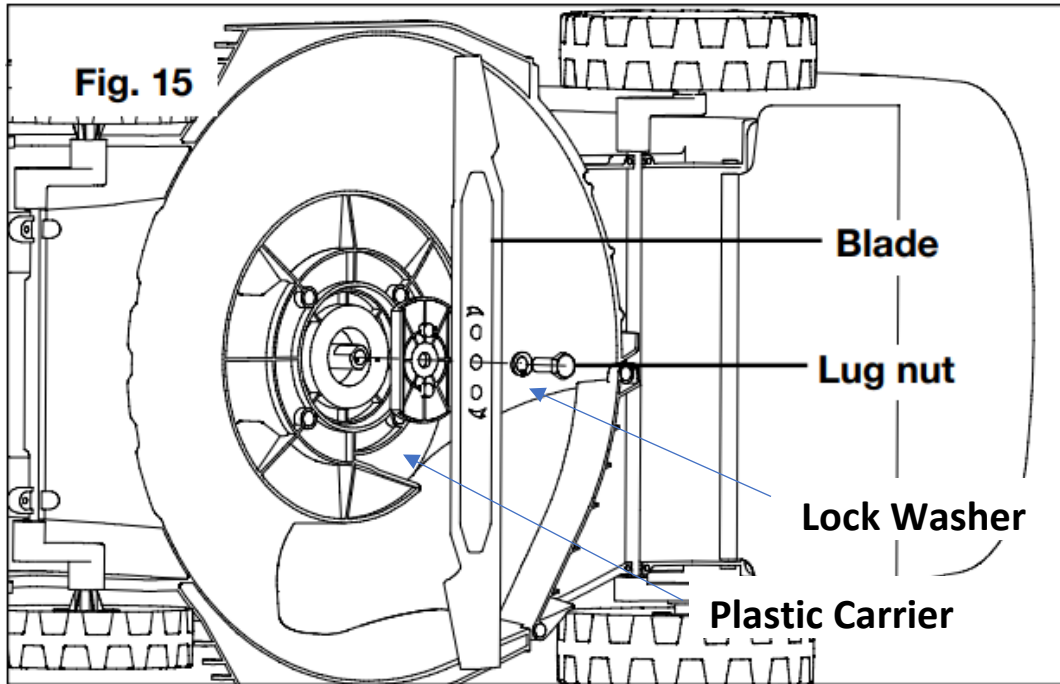
Please contact Snow Joe at 800-641-2917 if you have any questions regarding the inspection and repair or if you would like assistance in finding a repair center that can provide this service at no cost to you.

1. Disconnect the lawn mower – Turn OFF (see Item 23 in image below) and REMOVE the batteries (see Item 14 in image below) and the safety key (see Item 15 in image below) before inspecting the mower.

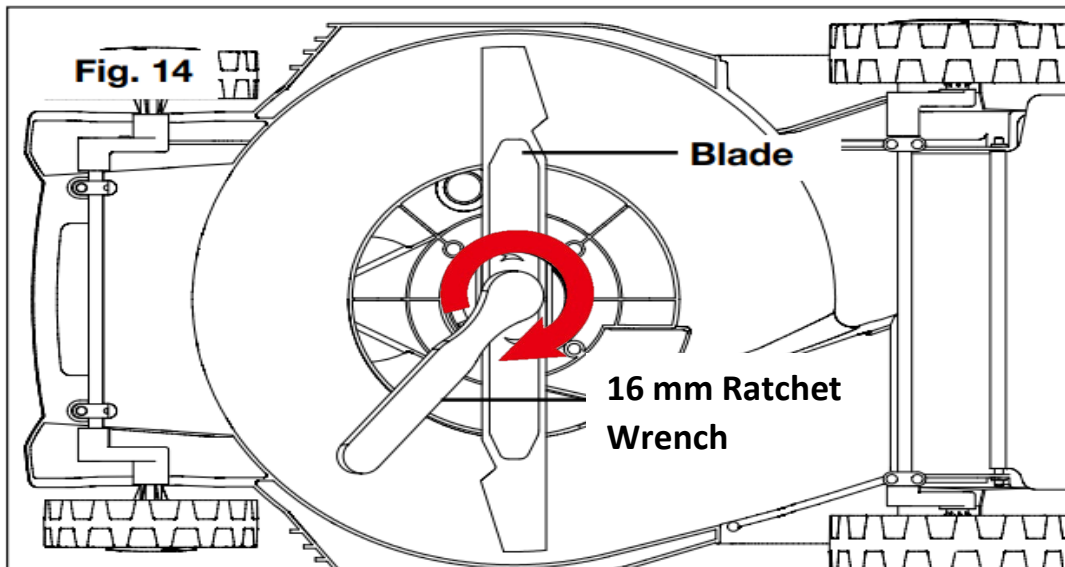




2. Carefully turn the mower upside down.
3. Inspect the mower blade and ensure the lug nut, lock washer, plastic carrier, and blade are all in place as shown in Fig. 15.



4. Tighten the lug nut until snug using a Ratchet Wrench by turning the wrench clockwise until the lug nut is snug against the lock washer using one hand to tighten until you cannot tighten further, as shown in Fig. 14.



5. Review user manual instructions before using the product.