



CORDLESS LAWN MOWER

48V MAX* | 4.0 Ah | 21-INCH

OPERATOR'S MANUAL

A Division of Snow Joe®, LLC

Model 24V-X2-21LMSP

Form No. SJ-24V-X2-21LMSP-880E-MR1

IMPORTANT! Safety Instructions

All Operators Must Read These Instructions Before Use

Always follow these safety guidelines. Failure to do so may result in serious bodily injury or death.

General Safety WARNINGS!

When using this cordless lawn mower, basic safety precautions should always be followed to reduce the risk of fire, electric shock and personal injury. These precautions include:

⚠️ WARNING! Do not operate without the entire grass collection bag, discharge guard, rear guard or other safety protective devices in place and in proper working order.

⚠️ WARNING! The use of any other accessory or attachment might increase the risk of injury.

⚠️ WARNING! To reduce the risk of injury, inspect the grass collection bag assembly frequently and replace with recommended replacement if there are signs of wear or deterioration.

Before using the mower, take the time to familiarize yourself with the controls, especially how to stop the mower in an emergency. The only individuals who should use the mower are those who have a thorough understanding of the instructions and who knows how to operate the machine. Children should never be allowed access to the mower.

Retain this manual for future reference and reread it at the start of each mowing season.

⚠️ WARNING! Contact with moving parts may cause entanglement, dismemberment or other serious bodily injury. Always keep body parts (i.e. hands, feet) a safe distance away from moving parts. Ensure all covers and guards are securely in place before use.

Hot surfaces (i.e. the motor) may ignite flammable or combustible items and cause a fire or explosion, which can result in serious bodily injury. Keep the mower a safe distance away from flammable or combustible items until surfaces that are hot have completely cooled. Do not store the mower near flammable or combustible items.

A damaged blade or worn blade nut may break off the mower assembly and cause serious injury. Replace the damaged blade or blade nut before using the mower.

- 1. Avoid dangerous conditions** – Do not use the mower in the rain or when the grass is damp or wet.
- 2. Keep children, bystanders and pets away** – Always keep children and spectators a safe distance away from the mower during operation and as the machine cools.
- 3. Dress properly** – Always wear personal safety gear (i.e. glasses, rubber gloves, protective footwear and dust masks) and proper clothing when using the mower. Loose clothing, long hair or jewelry may get caught in the moving parts.
- 4. Use the right appliance** – Do not use the lawn mower for any applications other than those for which it was intended.
- 5. Do not force the lawn mower** – It will perform better with less likelihood of personal or mechanical injury if it is used at the rate for which it was designed.
- 6. Do not overreach** – Keep proper footing and balance at all times.
- 7. Stay alert** – Always be alert and watch what you are doing. Use common sense. Do not operate the lawn mower when you are tired or under the influence of alcohol or drugs.
- 8. Disconnect the lawn mower** – Turn OFF and remove the batteries and the safety key when the mower is not in use, before servicing it, when changing accessories and when performing any other maintenance task.
- 9. Store idle lawn mower indoors** – When not in use, the lawn mower should be stored indoors in a dry, locked place out of the reach of children.
- 10. Maintain the lawn mower with care** – Keep cutting edges sharp and clean for best and safest performance.
- 11. Use personal protective equipment. Always wear eye protection** – Protective equipment such as safety glasses, a dusk mask, non-skid safety shoes, a hard hat, and hearing protection, when used for appropriate conditions, will reduce the possibility of personal injuries.
- 12. Avoid unintentional starting** – Ensure the switch is in the OFF position before insert the batteries or the safety key, or before picking up or carrying the tool. Carrying power tools with your finger on the switch or charging power tools with the switch ON can lead to accidents.
- 13. Remove any adjusting key or wrench before starting the power tool** – A wrench or a key left attached to a rotating part of the power tool may result in personal injury.

14. **Keep cutting blade sharp and clean** – Properly maintained cutting blades with sharp edges are less likely to bind and are easier to control.
15. **Keep all parts of the body away from the cutting blade** – Do not remove cut material or hold material to be cut when blade is moving. Make sure the switch is off when clearing jammed material. A moment of inattention while operating the product may result in serious personal injury.
16. If the lawn mower strikes a foreign object, follow these steps:
 - i) Stop the lawn mower by releasing the switch lever.
 - ii) Remove the batteries and the safety key.
 - iii) Inspect for damage.
 - iv) Repair any damage before restarting and operating the lawn mower.
17. Only use identical replacement blades and other genuine parts.
18. Keep guards in place and in proper working order.

Electrical Safety


1. If the battery charger cable is damaged, please call the Snow Joe® + Sun Joe® customer service center at 1-866-SNOWJOE (1-866-766-9563).
2. If charging the power tool in a damp location is unavoidable, use a residual current device (RCD) protected power supply. The using of an RCD reduces the risk of electric shock.
3. Avoid body contact with earthed or grounded surfaces such as pipes, radiators, ranges and refrigerators. There is an increased risk of electric shock if your body is earthed or grounded.
4. **Do not expose power tools to rain or wet conditions.** Water entering a power tool will increase the risk of electric shock.
5. **Do not abuse the charging cord.** Never use the cord for carrying, pulling or unplugging the charger. Keep cord away from heat, oil, sharp edges or moving parts. Damaged or entangled cords increase the risk of electric shock.
6. Battery charger is for indoor use only. Do not charge batteries in rain, or in wet locations.


Battery + Charger Safety Instructions

We pay a great deal of attention to the design of every battery pack to ensure that we supply you with batteries that are safe, durable and have a high energy density. The battery cells have a wide range of safety devices. Each individual cell is initially formatted and its electrical characteristic curves are recorded. This data is then used exclusively to be able to assemble the best possible battery packs.

Despite all the safety precautions, caution must always be exercised when handling batteries. The following points must be obeyed at all times to ensure safe use. Safe use can only be guaranteed if undamaged cells are used. Incorrect handling of the battery pack can cause cell damage.

IMPORTANT! Analyses confirm that incorrect use and poor care of high-performance batteries are the main factors responsible for personal and/or product damage.

 **WARNING!** Use only approved replacement batteries; other batteries may damage the lawn mower and cause it to malfunction, which can lead to serious personal injury.


 **CAUTION!** To reduce the risk of injury, charge the 24V iON+ lithium-ion battery packs only in the designated 24V iON+ lithium-ion charger. Other types of chargers present risk of fire, personal injury and damage. Do not wire the battery packs to a power supply plug or car cigarette lighter. Such misuse will permanently disable or damage the battery packs.

- **Avoid dangerous environments** – Do not charge the battery packs in rain, snow or in damp or wet locations. Do not use the battery packs or charger in the presence of explosive atmospheres (gaseous fumes, dust or flammable materials) because sparks may be generated when inserting or removing the battery packs, which could lead to a fire.
- **Charge in a well-ventilated area** – Do not block the charger vents. Keep them clear to allow for proper ventilation. Do not allow smoking or open flames near charging battery packs. Vented gases may explode.

NOTE: The safe temperature range for the batteries are 41°F (5°C) to 104°F (40.5°C). Do not charge the batteries outside in freezing weather; charge it at room temperature.
- **Maintain charger cord** – When unplugging the charger, pull the plug, not the cord, from the receptacle to reduce the risk of damage to the electrical plug and cord. Never carry the charger by its cord or yank it by the cord to disconnect it from the receptacle. Keep the cord away from heat, oil and sharp edges. Make sure the cord will not be stepped on, tripped over or subjected to damage or stress when the charger is in use. Do not use the charger with a damaged cord or plug. Replace a damaged charger immediately.
- **Do not use an extension cord unless it is absolutely necessary** – Using the wrong, damaged or improperly wired extension cord poses a risk of fire and electric shock.

If an extension cord must be used, plug the charger into a properly wired 16 AWG or larger extension cord with the female plug matching the male plug on the charger. Make sure that the extension cord is in good electrical condition.

- **Charger 24VCHRG-DPC is rated for 120 volt AC only** – The charger must be plugged into an appropriate receptacle.
- **Use only recommended attachments** – Use of an attachment not recommended or sold by the battery charger or battery pack manufacturer may result in risk of fire, electric shock or personal injury.
- **Unplug charger when not in use** – Make sure to remove battery packs from unplugged chargers.

 **WARNING!** To reduce the risk of electric shock, always unplug the charger before performing any cleaning or maintenance. Do not allow water to flow into the charger. Use a Ground Fault Circuit Interrupter (GFCI) to reduce shock hazards.

- **Do not burn or incinerate battery packs** – Battery packs may explode, causing personal injury or damage. Toxic fumes and materials are created when battery packs are burned.
- **Do not crush, drop or damage battery packs** – Do not use the battery packs or charger if they have sustained a sharp blow, been dropped, run over or have been damaged in any way (i.e. pierced with a nail, hit with a hammer, stepped on, etc.).
- **Do not disassemble** – Incorrect reassembly may pose a serious risk of electric shock, fire or exposure to toxic battery chemicals. If the batteries or charger are damaged, please contact an authorized Snow Joe® + Sun Joe® dealer or call the Snow Joe® + Sun Joe® customer service center at 1-866-SNOWJOE (1-866-766-9563).
- **Battery chemicals cause serious burns** – Never let a damaged battery pack contact the skin, eyes or mouth. If a damaged battery pack leaks battery chemicals, use rubber or neoprene gloves to safely dispose of it. If skin is exposed to battery fluids, wash the affected area with soap and water and rinse with vinegar. If eyes are exposed to battery chemicals, immediately flush with water for 20 minutes and seek medical attention. Remove and dispose of contaminated clothing.
- **Do not short circuit** – A battery pack will short circuit if a metal object makes a connection between the positive and negative contacts on the battery pack. Do not place a battery pack near anything that may cause a short circuit, such as paper clips, coins, keys, screws, nails and other metallic objects. A short-circuited battery pack poses a risk of fire and severe personal injury.
- **Store your battery packs and charger in a cool, dry place** – Do not store the battery packs or charger where temperatures may exceed 105°F (40.5°C), such as in direct sunlight or inside a vehicle or metal building during the summer.

Information about the batteries

1. The battery packs supplied with your cordless lawn mower are only partially charged. The battery packs have to be charged completely before you use the tool for the first time.
2. For optimum battery performance, avoid low discharge cycles by charging the battery packs frequently.
3. Store the battery packs in a cool place, ideally at 77°F (25°C) and charged to at least 40%.
4. Lithium-ion batteries are subject to a natural aging process. The battery packs must be replaced at the latest when its capacity falls to just 80% of its capacity when new. Weakened cells in aged battery packs are no longer capable of meeting the high power requirements needed for the proper operation of your cordless lawn mower, and therefore pose a safety risk.
5. Do not throw battery packs into an open fire as this poses a risk of explosion.
6. Do not ignite the battery packs or expose them to fire.
7. Do not exhaustively discharge batteries. Exhaustive discharge will damage the battery cells. The most common cause of exhaustive discharge is lengthy storage or non-use of partially discharged batteries. Stop working as soon as the performance of the batteries falls noticeably or the electronic protection system triggers. Place the battery packs in long-term storage only after they have been fully charged.
8. Protect batteries and the tool from overloads. Overloads will quickly result in overheating and cell damage inside the battery housing even if this overheating is not apparent externally.
9. Avoid damage and shocks. Immediately replace batteries that have been dropped from a height of more than one meter or those that have been exposed to violent shocks, even if the housing of the battery packs appear to be undamaged. The battery cells inside the battery may have suffered serious damage. In such instances, please read the waste disposal information for proper battery disposal.
10. If the battery packs suffer overloading and overheating, the integrated protective cutoff will switch off the equipment for safety reasons. If this situation happens, stop the tool and let the batteries cool down for a few minutes before restarting.
11. Use only original battery packs. The use of other batteries poses a fire risk and may result in injuries or an explosion.

Information about the charger and the charging process

1. Please check the data marked on the rating plate of the battery charger. Be sure to connect the battery charger to a power supply with the voltage marked on the rating plate. Never connect it to a different mains voltage.

2. Protect the battery charger and its cord from damage. Keep the charger and its cord away from heat, oil and sharp edges. Have damaged cords repaired without delay by a qualified technician at an authorized Snow Joe® + Sun Joe® dealer or call the Snow Joe® + Sun Joe® customer service center at 1-866-SNOWJOE (1-866-766-9563).
3. Electrical plugs must match the outlet. Never modify the plug in any way. Do not use any adapter plugs with grounded appliances. Unmodified plugs and matching outlets will reduce the risk of electric shock.
4. Keep the battery charger, battery packs and the cordless tool out of the reach of children.
5. Do not use the battery charger to charge other cordless tools.
6. During periods of heavy use, the battery packs will become warm. Allow the battery packs to cool to room temperature before inserting them into the charger to recharge.
7. Do not overcharge batteries. Do not exceed the maximum charging times. These charging times only apply to discharged batteries. Frequent insertion of charged or partially charged battery packs will result in overcharging and cell damage. Do not leave batteries in the charger for days on end.
8. Never use or charge batteries if you suspect that it has been more than 12 months since the last time they were charged. There is a high probability that the battery packs have already suffered dangerous damage (exhaustive discharge).
9. Charging batteries at a temperature below 41°F (5°C) will cause chemical damage to the cells and may cause a fire.
10. Do not use batteries that have been exposed to heat during the charging process, as the battery cells may have suffered dangerous damage.
11. Do not use batteries that have suffered curvature or deformation during the charging process or those that exhibit other atypical symptoms (gassing, hissing, cracking, etc.)
12. Never fully discharge the battery packs (maximum recommended depth of discharge is 80%). A complete discharge of the battery packs will lead to premature aging of the battery cells.
5. Do not keep the battery charger in places where the temperature is liable to reach over 105°F (40.5°C). In particular, do not leave the battery charger in a car that is parked in the sunshine.
6. Protect batteries from overheating. Overloads, overcharging and exposure to direct sunlight will result in overheating and cell damage. Never charge or work with batteries that have been overheated – replace them immediately, if possible.
7. Store the charger and your cordless tool only in dry locations with an ambient temperature of 41°F – 105°F (5°C – 40.5°C). Store your lithium-ion battery packs in a cool, dry place at a temperature of 77°F (25°C). Protect the battery packs, charger and cordless tool from humidity and direct sunlight. Only place fully charged batteries in storage (charged to at least 40%).
8. Prevent the lithium-ion battery packs from freezing. Battery packs that were stored below 32°F (0°C) for more than 60 minutes must be discarded.
9. When handling batteries, be wary of electrostatic charge. Electrostatic discharges can damage the electronic protection system and the battery cells. Avoid electrostatic charging and never touch the battery poles.

IMPORTANT!

Safety Instructions for Walk-Behind Mowers

General Operation

- Read, understand and follow all instructions on the machine and in the manual before starting.
- Do not put hands or feet near or under the machine. Always stay clear of the discharge opening.
- Only responsible adults who are familiar with the instructions should be allowed to operate this machine.
- Clear the mowing area of foreign objects such as rocks, wire, toys and other miscellaneous articles, which could be picked up and thrown by the blade. Stay behind the handle when the engine (motor) is running.
- Make sure that the mowing area is clear of bystanders before starting the machine. Stop the machine if anyone enters the area.
- Do not operate the machine barefooted or while wearing sandals. Always wear substantial footwear.
- Always look down and behind before and while moving backward with the mower.
- Never direct discharged material toward anyone. Avoid discharging material against a wall or other obstruction.
- Do not operate the machine without the entire grass catcher, discharge guard, rear guard or other safety protective devices in place and in proper working order.
- Never leave a running machine unattended.

Protection from environmental influences

1. Wear suitable work clothes. Wear safety goggles.
2. Protect your cordless tool and the battery charger from moisture and rain. Moisture and rain can cause dangerous cell damage.
3. Do not use the cordless tool or the battery charger near vapors and flammable liquids.
4. Use the battery charger and cordless tools only in dry conditions and at an ambient temperature of 41°F – 105°F (5°C – 40.5°C).

- Stop the engine (motor) and wait until the blade comes to a complete stop before cleaning the machine, removing the grass catcher or unclogging the discharge guard.
- Operate the machine only in daylight or in good artificial light.
- Do not operate the machine when you are tired or under the influence of alcohol or drugs.
- Never operate the mower in wet grass. Always be sure of your footing; walk, never run, with the mower.
- If the machine should start to vibrate abnormally, stop the engine (motor) and immediately check the machine to ascertain the cause. Vibration is generally a signal of trouble.
- Keep the blade sharp.
- Keep hands and feet away from the cutting area.
- Always wear eye protection when operating the machine.
- Objects struck by the lawn mower blade can cause severe injuries. The mowing area should always be carefully examined and cleared of all objects prior to each mowing.

Slope Operation

Slopes are major factors related to slip and fall accidents, which can result in severe injury. Operation on all slopes requires extra caution. If you feel uneasy on a slope, do not mow it.

- Mow across the face of slopes; never mow slopes following an up and down traverse. Exercise extreme caution when changing direction on a slope.
- Watch for holes, ruts, bumps, rocks or other hidden objects. These may cause an unexpected slip or fall.
- Do not mow on wet grass or excessively steep slopes. Poor footing could cause a slip and fall accident.
- Do not mow near drop offs, ditches or embankments. You could lose your footing or balance.

Children

Tragic accidents can occur if the operator is not alert to the presence of children. Children are often attracted to the machine and the mowing activity. Never assume that children will remain where you last saw them.

- Keep children out of the mowing area and under the watchful care of a responsible adult other than the operator.
- Stay alert and turn the mower off if a child enters the area.
- Never let children operate the machine.
- Use extra care when approaching blind corners, shrubs, trees or other objects that may block your view of a child.

Service

- Stop the machine and remove the batteries and the safety key before servicing, cleaning, or removing grass from the lawn mower.
- Keep all nuts and bolts tight.
- Never tamper with safety devices. Regularly check to ensure these devices are in place and in proper working order.
- Keep the mower free from grass, leaves or other debris buildup.
- If you strike a foreign object, stop and inspect the machine. Repair, if necessary, before restarting.
- Never make any adjustments or repairs with the engine (motor) running. Always remove the batteries before adjusting, cleaning or repairing.
- Check the grass bag components and the discharge guard frequently and replace with manufacturer's recommended parts when necessary.
- Mower blade is sharp. Wrap the blade or wear gloves, and use extra caution when servicing it.
- Maintain or replace safety and instruction labels, as necessary.
- If your power tool requires service, contact an authorized Snow Joe® + Sun Joe® dealer or call the Snow Joe® + Sun Joe® customer service center at 1-866-SNOWJOE (1-866-766-9563). Only identical replacement parts should be utilized for repairs. This will ensure that the safety of the power tool is maintained.
- If the battery charger cable is damaged, it must be immediately replaced to avoid a hazard. Contact the Snow Joe® + Sun Joe® customer service center at 1-866-SNOWJOE (1-866-766-9563) for assistance.

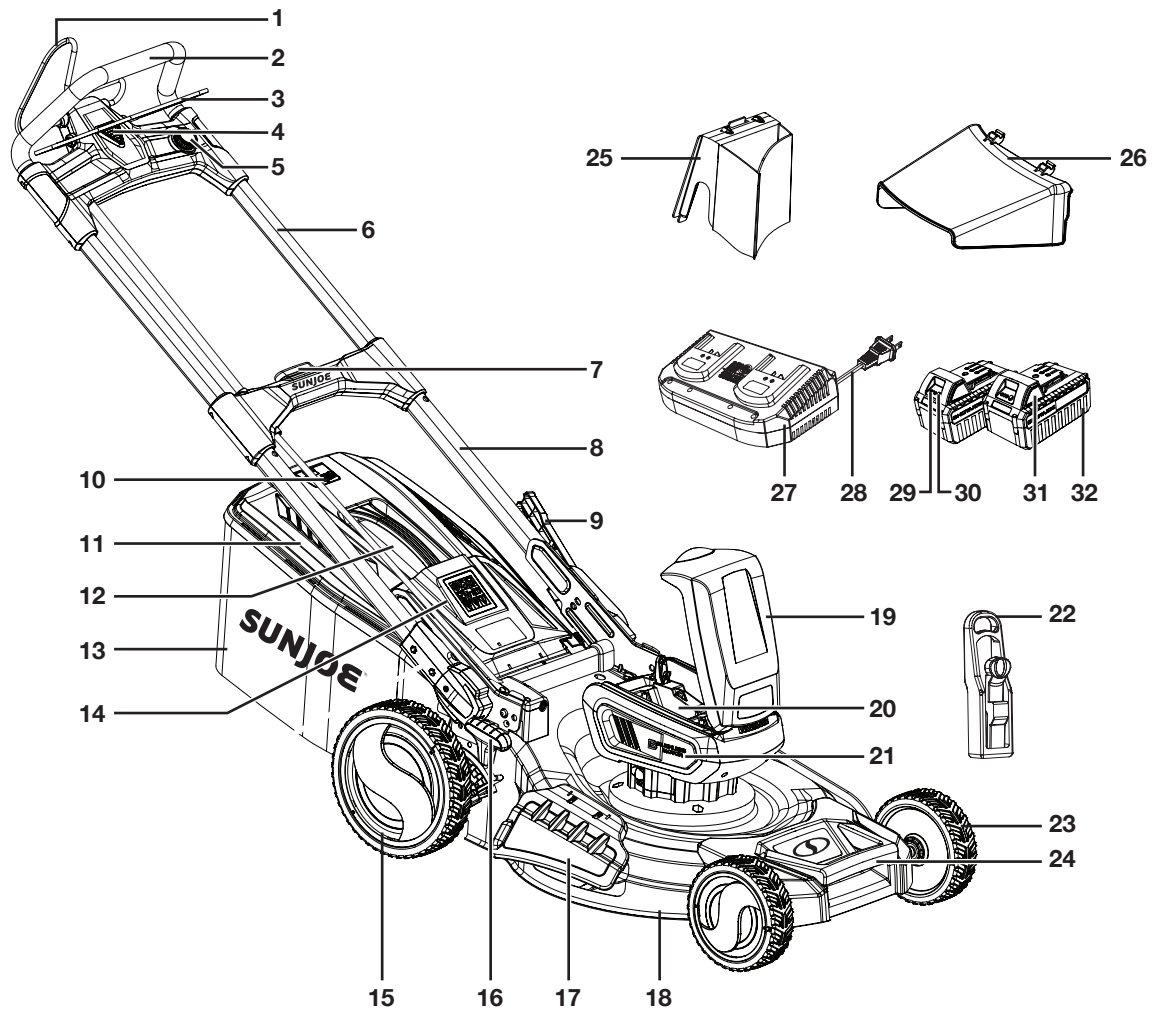
Safety Symbols

The following table depicts and describes safety symbols that may appear on this product. Read, understand and follow all instructions on the machine before attempting to assemble and operate.

Symbols	Descriptions	Symbols	Descriptions
	DANGER! Rotating blades. Keep hands and feet away.		Keep bystanders and children a safe distance away.
	Safety Alert. Caution. To reduce the risk of injury, user must read instruction manual.		Wear eye and hearing protection. For protection against injury, wear ear defenders and safety goggles.
	WARNING! Do not expose or operate the unit in rain or wet conditions. Keep dry.		Wear protective gloves and non-slip footwear when using the machine and handling debris.
	Slip on slope hazard – Use extra caution when mowing on slopes to prevent slip and fall accidents.		Severing of toes or fingers by rotary mower blade.
	Thrown objects and rotating blade can cause severe injury.		Keep bystanders a safe distance away from the work area.
	Blades continue to rotate after machine is switched off.		WARNING! Always turn the machine OFF and remove the safety key before conducting inspection, cleaning and maintenance.
	Rotating blades. Keep hands and feet away from the opening while the machine is running.		Look behind when backing up with the lawn mower.
	Indoor use only. Only use battery charger indoors.		

Know Your Cordless Lawn Mower

Read the owner's manual and safety instructions carefully before operating the mower. Compare the illustration below to the mower in order to become familiar with the location of the various controls and adjustments. Save this manual for future reference.



- | | | |
|-----------------------------------|-------------------------------|--|
| 1. Self-propel lever | 13. Grass collection bag | 25. Mulching plug |
| 2. Soft grip | 14. Ejector flap | 26. Side discharge chute |
| 3. Switch lever | 15. Rear wheel | 27. 24V iON+ lithium-ion dual-port charger (24VCHRG-DPC) |
| 4. Safety button | 16. Height adjustment lever | 28. Charger plug |
| 5. Self-propel speed control dial | 17. Side discharge door | 29. Battery indicator |
| 6. Upper handle frame | 18. Mower deck | 30. Push button for battery indicator |
| 7. Handle releasing button | 19. Battery compartment cover | 31. Push lock button |
| 8. Lower handle frame | 20. Battery compartment | 32. 24V iON+ lithium-ion battery (2 x 24VBAT) featuring exclusive EcoSharp® technology |
| 9. Handle latch | 21. Motor housing | |
| 10. Grass indicator window | 22. Safety key | |
| 11. Grass collection bag cover | 23. Front wheel | |
| 12. Grass collection bag handle | 24. Transport handle | |

Technical Data

Brushless Motor	Input: 1100 W Output: 900 W
Battery Voltage Max*	48V D.C. (2 x 24V)
Battery Capacity	4.0 Ah
Charger Input	120V AC, 60Hz, 160 W
Charger Output	26 V DC, 2 x 2.2 A
Charge Time Max	1 hr 50 mins
Cutting Width Max	20 in. (51 cm)
Cutting Height	1.2 in. to 3.5 in. (30 mm to 90 mm)
Deck Size	21 in. (53.3 cm)
Grass Catcher Capacity	13.2 gal (50 L)
Self-Propelled Speed	0.6 m/s – 1.4 m/s
No Load Speed	2500 rpm
Net Weight	65 lbs (29.6 kg)

* Generates 48 V max with two 24 V lithium-ion batteries. Initial no-load voltage, per fully charged battery, peaks at 24 V. Nominal voltage under typical load is 21.6 V.

Unpacking

Carton Contents

- Cordless lawn mower
- Safety key
- Grass collection bag
- Side discharge chute
- Mulching plug (inserted in rear discharge opening)
- 24V iON+ lithium-ion batteries (2)
- 24V iON+ lithium-ion dual port charger
- Manual and registration card

1. Carefully remove the lawn mower and check to see that all of the above items are supplied.
2. Inspect the product carefully to make sure no breakage or damage occurred during shipping.

NOTE: Do not discard the shipping carton and packaging material until you are ready to use your new cordless lawn mower. The packaging is made of recyclable materials. Properly dispose of these materials in accordance with local regulations.

IMPORTANT! The equipment and packaging material are not toys. Do not let children play with plastic bags, foils, or small parts. These items can be swallowed and pose a suffocation risk!

Battery Pack Operation

The equipment is powered by two lithium-ion batteries. The battery packs are completely sealed and maintenance free.





⚠️WARNING! The cordless lawn mower can only be powered by both of the batteries together. One battery cannot provide sufficient power to the tool. Make sure to use two batteries of the same voltage and the same capacity. Using the tool with batteries of different capacities will cause damage to the batteries.

⚠️WARNING! Before first use, the batteries require 1 hr 50 min charge time to be fully charged. When the batteries are at low capacity, recharge for 1 hr 50 min again before resuming operation.

Battery Charge Level Indicator

The battery packs are equipped with a push button for checking the charge level. Simply press the push button to read off the battery charge level from the LEDs of the battery indicator:

- All 3 level monitoring LEDs are lit: Battery charge level is high.
- 2 level monitoring LEDs are lit: Battery charge level is decreasing. Stop work as soon as possible.
- 1 level monitoring LED is lit: Battery is flat. Stop work IMMEDIATELY and charge the battery. Otherwise the battery's service life will be greatly shortened.

Lights	Light Indicators
	Charge level button
	The battery is at 30% capacity and requires charging
	The battery is at 60% capacity and requires charging soon
	The battery is at full capacity

NOTE: If the charge level button does not appear to be working, insert the batteries into the charger and charge as needed.

NOTE: Immediately after using the battery pack, the charge level button may display a lower charge than it will if checked a few minutes later. The battery cells “recover” some of their charge after resting.

Charger Operation

⚠️ WARNING! Charge only 24V iON+ lithium-ion battery packs with their compatible 24V iON+ lithium-ion charger. Other types of batteries may cause personal injury and damage.

To reduce the risk of electric shock, do not allow water to flow into the charger's AC/DC plug.

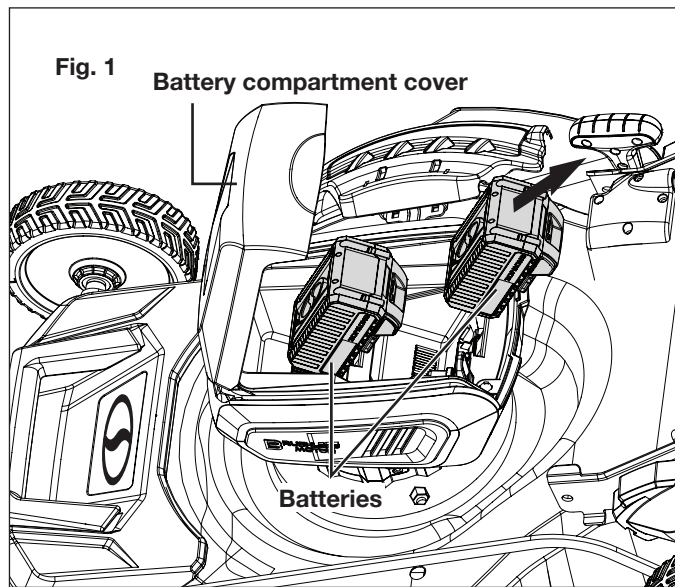
When to Charge the iON+ 24VBAT Lithium-Ion Batteries

NOTE: The iON+ 24VBAT lithium-ion battery packs do not develop a "memory" when charged after only a partial discharge. Therefore, it is not necessary to run down the battery packs before placing them into the charger.

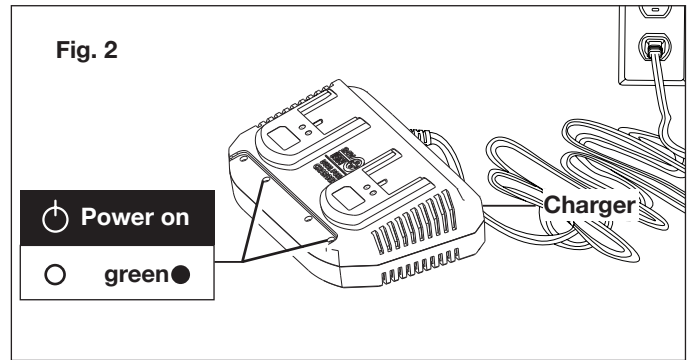
- Use the battery charge indicator lights to determine when to charge your iON+ 24VBAT lithium-ion battery packs.
- You can "top-off" your battery packs' charge before starting a big job or after a long day of use.

Charging the Batteries

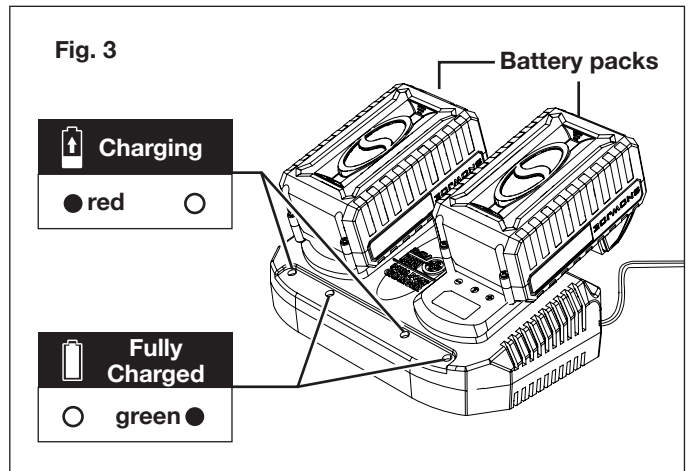
1. Open the battery compartment cover, and push the push lock buttons on the batteries to pull the battery packs out from the battery compartment (Fig. 1).



2. Check that the mains voltage is the same as that marked on the rating plate of the battery charger. Then, insert the charger's plug into the electrical wall outlet. When you plug in the charger, two green lights will illuminate and stay green (Fig. 2).



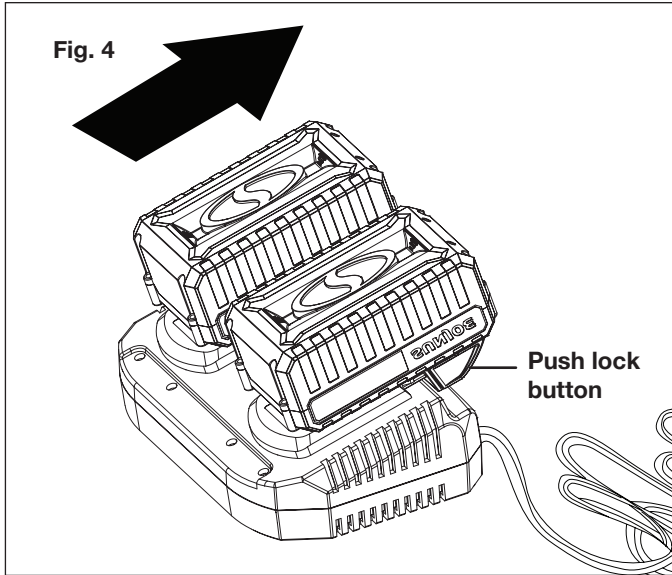
3. Place the battery packs into the charger by sliding the packs to lock them into position. When you insert the batteries into the charger, the two green lights will go off, and the red lights will illuminate to indicate that the batteries are charging (Fig. 3).



4. When the charger lights turn green, the batteries are fully charged (Fig. 3).

NOTE: A fully discharged pack with an internal temperature in the normal range will fully charge in 1 hr 50 min (between 32°F/0°C and 113°F/45°C).

5. If the light indicators do not come on at all, check that the battery packs are fully seated into the bay. Remove the battery packs and reinsert. If the problem persists, contact an authorized Snow Joe® + Sun Joe® dealer or call the Snow Joe® + Sun Joe® customer service center at 1-866-SNOWJOE (1-866-766-9563) for assistance.
6. When charging is complete, remove the batteries from the charger by pressing the push lock buttons and sliding the batteries backward to unlock them from the charger (Fig. 4).



CAUTION! FIRE HAZARD. When removing the batteries from the charger, be sure to unplug the charger from the outlet first, then remove the batteries from the charger.

WARNING! This charger does not automatically turn off when the batteries are fully charged. Please take care not to leave the batteries in the charger. Switch off or unplug the charger at the mains when charging is complete.

7. Timely recharging of the batteries will help prolong the batteries' life. You must recharge the battery packs when you notice a drop in the equipment's power.

IMPORTANT! Never allow the battery packs to become fully discharged as this will cause irreversible damage to the batteries.

Charging a Hot or Cold Battery Pack

The green indicator lights on the charger base indicates that the battery packs' temperatures are outside the charging range. Once the packs are within the acceptable range, normal charging will take place and the red light will be continuous. Hot or cold battery packs may take longer to charge.

Lithium-Ion Charging Status			
Battery Pack Temperature	Charger Base Indicator Light	Battery Pack Indicator Light	Charging Status
Too hot	Green	Flashing together	Not charging
Normal range	Red	Flashing one by one	Normal charging
Too cold	Green	Flashing together	Not charging

Assembly

WARNING! Do not insert the batteries until assembly is complete. Failure to comply could result in accidental starting and serious personal injury.

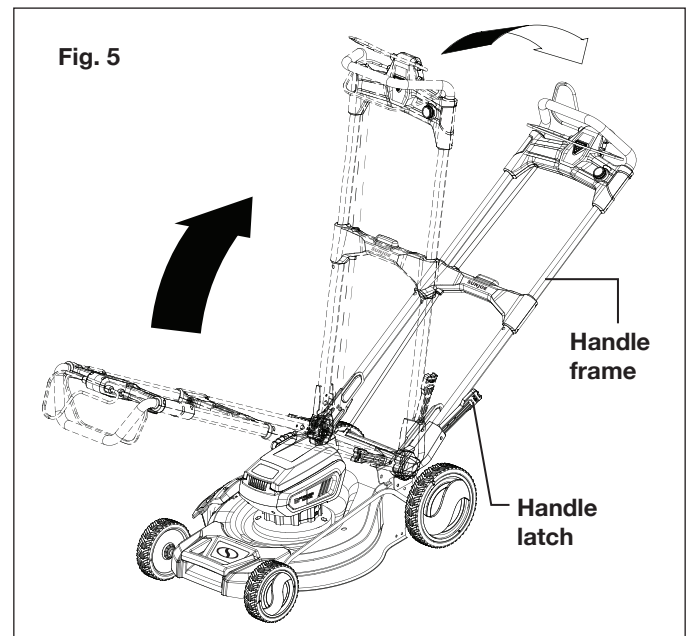
WARNING! Before performing any maintenance, make sure the batteries and the safety key are removed from the unit. Failure to heed this warning could result in serious personal injury.

WARNING! The product must be fully assembled before operation. Do not use a product that is only partially assembled or assembled with damaged parts.

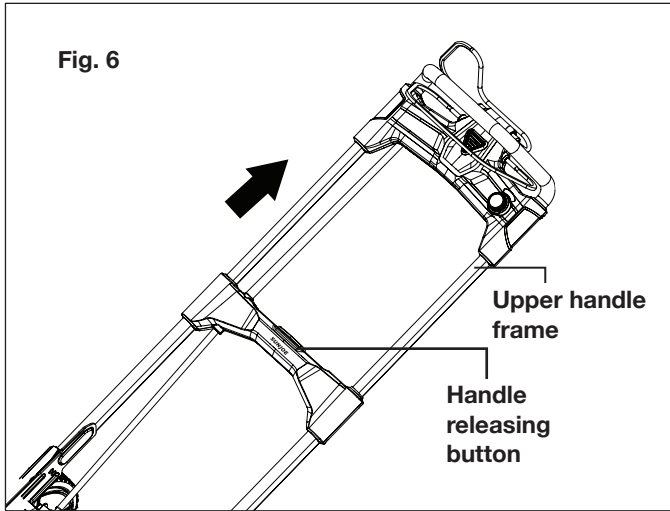
NOTE: Before using the mower, follow these instructions to assemble the handle and grass bag.

Handle Assembly

1. The unit arrives with the handle frame folded down in storage position. To unfold the handle, press down the handle latch and flip up the handle frame until the handle frame clicks into working position (Fig. 5).

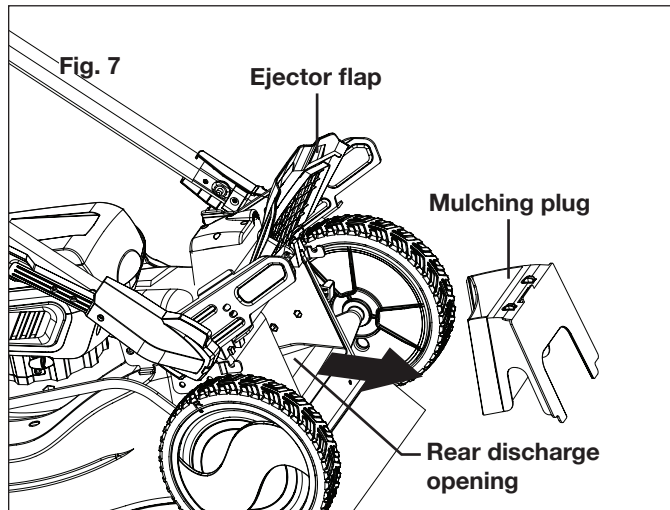


2. Press down the handle releasing button located on the middle bar of the handle frame, meanwhile pull the upper handle frame to extend it to full length (Fig. 6).

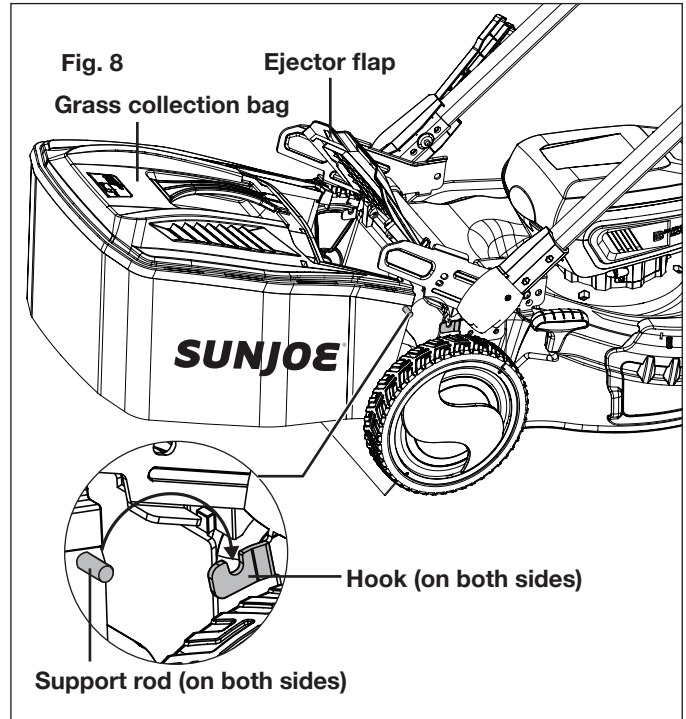


Grass Collection Bag Fitting

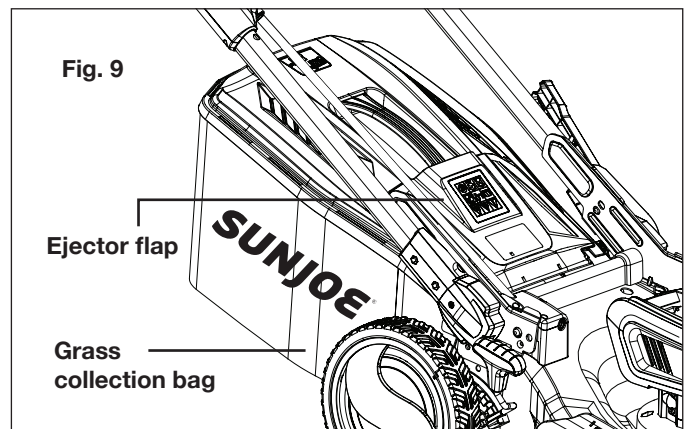
1. Lift the ejector flap up, and remove the mulching plug inserted in the rear discharge opening (Fig. 7).



2. With the ejector flap lifted up, hold the grass collection bag by the handle and hook the ends of the support rod on the hooks on both sides (Fig. 8).



3. Release the ejector flap so that it rests on the grass bag. (Fig. 9).

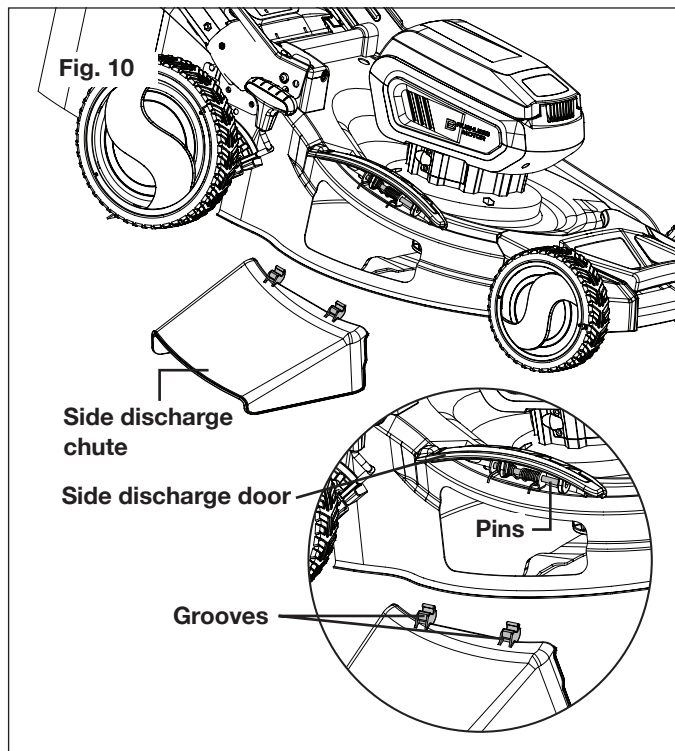


Side Discharge Chute Assembly + Fitting

Use the side discharge chute on your mower when the grass is too tall to mulch or when side discharging is preferred. The grass clippings produced by the side discharge chute are noticeably larger than those produced by the mulching plug.

NOTE: When using the side discharge chute, do not assemble the grass collection bag. Insert the mulching plug in the rear discharge opening.

1. Lift up the side discharge door.
2. Align the grooves on the side discharge chute with the pins on the underside of the door, and hook the grooves on the pins (Fig. 10).



3. Release the side discharge door.

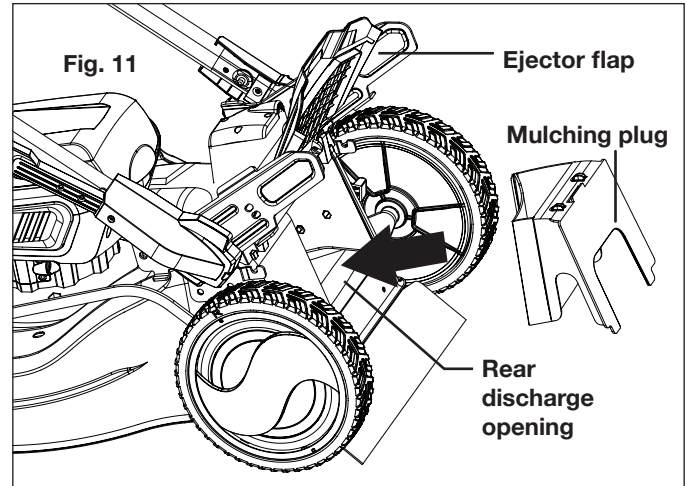
Mulching Plug Assembly + Fitting

Your mower is equipped with a mulching plug to allow the blade to cut and recut the grass for finer clippings.

NOTE: When using the mulching plug, do not assemble the grass collection bag or the side discharge chute.

NOTE: When the grass collection bag is not attached, the mulching plug must be inserted in the rear discharge opening.

1. Lift up the ejector flap.
2. Insert the mulching plug fully into the rear discharge opening and make sure it's seated securely (Fig. 11).



3. Release the ejector flap.

Operation

This lawn mower is intended for private residential use to cut grass in small lawns and gardens. This lawn mower is not intended to cut grass in public parks, playing fields, farms or forests. Do not use this lawn mower for any application other than that for which it is intended.

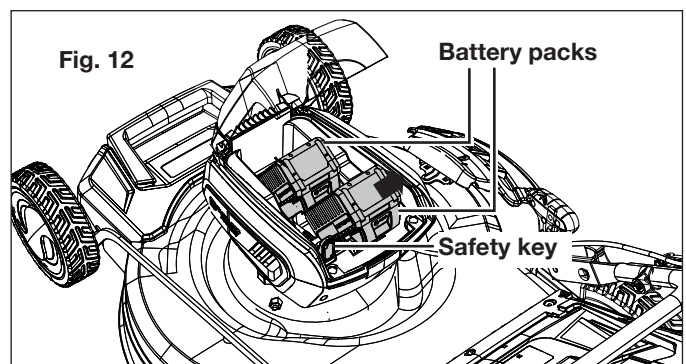
Adjusting the Cutting Height

This cordless lawn mower is equipped with a 7-position height adjustment lever to tailor grass cutting heights from 1.2 in. to 3.5 in. (30 mm to 90 mm). To change the cutting height of the grass, follow the instructions below.

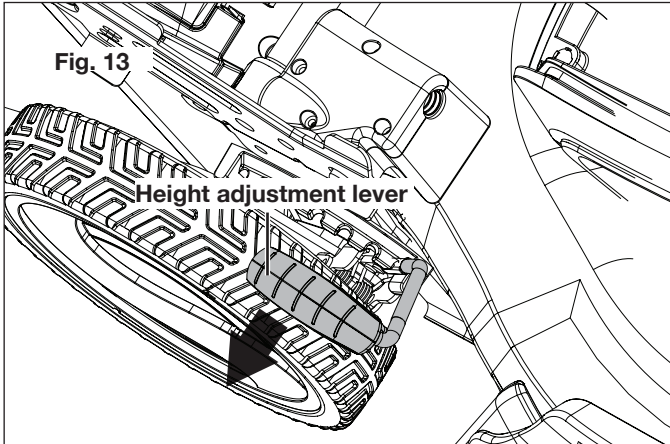
⚠ WARNING! Before making these adjustments, remove the batteries and the safety key from the lawn mower and wait until the rotating blade has come to a complete standstill.

ALWAYS FOLLOW ALL SAFETY PRECAUTIONS AND RECOMMENDATIONS LISTED PREVIOUSLY IN THIS MANUAL.

1. Power off the lawn mower and remove the batteries and the safety key (Fig. 12).



2. Push the cutting height adjustment lever to the outside of the original slot (Fig. 13).



3. Insert the lever into the desired slot.

7-Position Height Adjustment (From front to rear):

- (1) 1.2 in. (30 mm)
- (2) 1.6 in. (40 mm)
- (3) 2.0 in. (50 mm)
- (4) 2.4 in. (60 mm)
- (5) 2.8 in. (70 mm)
- (6) 3.1 in. (80 mm)
- (7) 3.5 in. (90 mm)

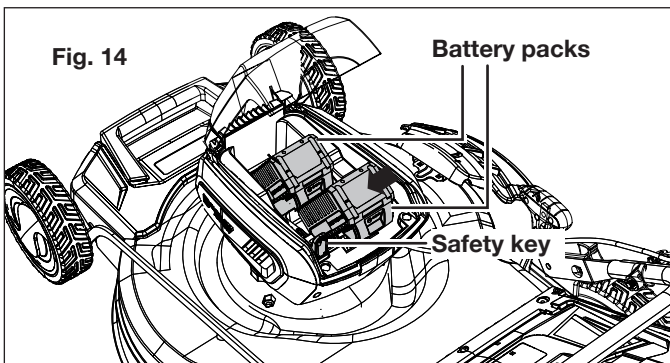
4. Reinsert the batteries and the safety key to the lawn mower and resume normal use.

Starting + Stopping

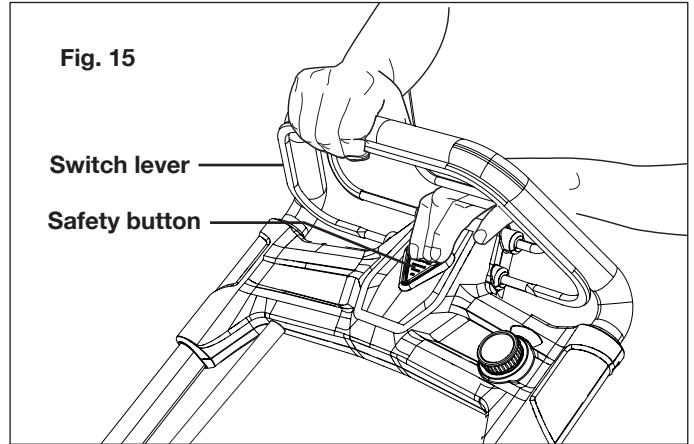
⚠️ WARNING! Before switching on the mower, make sure that it is not in contact with any foreign objects. Keep your hands and feet a safe distance away from the rotating mower blade and the ejector opening. Failure to comply with these warnings can result in severe personal injury.

IMPORTANT: Do not start the mower in tall grass.

1. Make sure the unit's switch lever is not squeezed on. Insert the batteries and the safety key in their slots (Fig. 14). Close the battery compartment cover.



2. To start the machine, press and hold the safety lock button while pulling the switch lever toward you (Fig. 15).



3. Once the machine powers on, release the safety lock button and proceed with operation.

4. To stop the mower, release the switch lever.

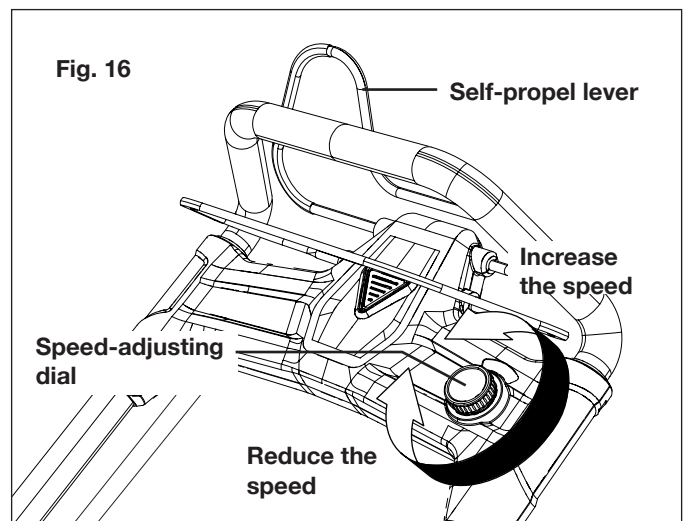
⚠️ WARNING! The mower blade will continue to rotate for a brief period after the unit has been switched off. Do not tilt or carry the unit while the motor is still running and do not touch the blade while it is still rotating. Failure to comply could result in severe personal injury.

Using the Self-Propelled System

The cordless lawn mower is equipped with a variable-speed self-propelled system, which is independent and can be operated without the blade rotation. For example, when you have completed cutting your lawn, you can use the self-propelled system to propel the mower back to your storage location without blade rotation. Or you may choose to operate the mower as a non-self-propelled mower to maximize battery run time.

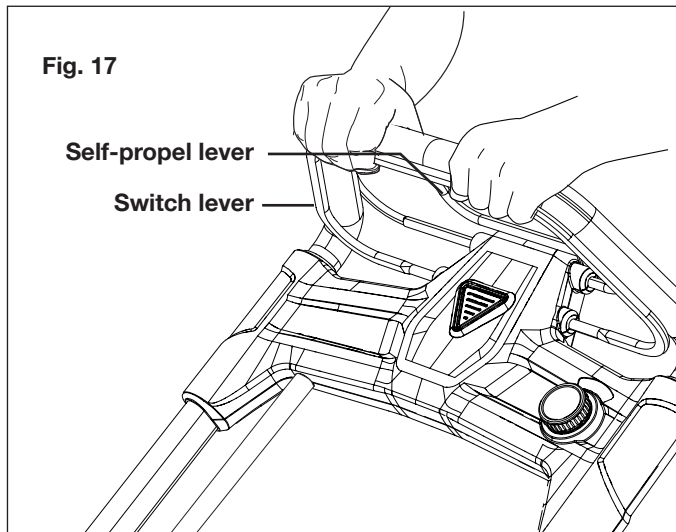
To operate the self-propelled system without blade rotation, push and hold the self-propel lever to the handle. To turn off the self-propel system, release the self-propel lever (Fig. 16).

The system has variable speeds. Adjust the speed by turning the speed-adjusting dial as shown (Fig. 16).



To operate the self-propelled system with the blade rotating for cutting:

1. Start the lawn mower as indicated by step 1 to step 3 in Starting + Stopping section.
2. While holding the switch lever against the handle with your left hand, push the self-propel lever to the handle with your right hand.
3. Proceed with operation with both hands holding the self-propel lever and the switch lever together with the soft grip (Fig. 17).



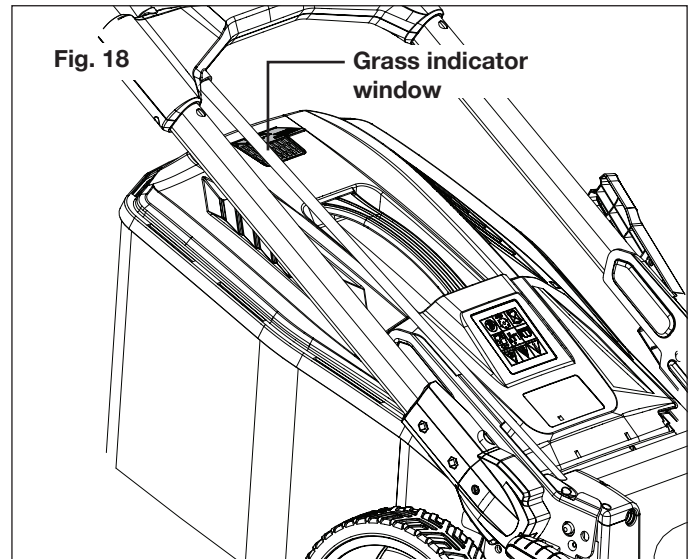
NOTE: When the self-propelled system is turned off, the lawn mower may lock itself from mowing backwards. In this case, simply push ahead slightly and then move the mower back as needed.

During operation, it may be easier to mow around an object with the self-propelled system turned off.

⚠ WARNING! To reduce the risk of injury, never attempt to override the operation of the switch or self-propelled system. Use the self-propelled system for its intended purpose only.

Grass Bag Filling Level Indicator

1. The grass bag is equipped with a filling level indicator window that is opened by the airflow that the lawn mower generates during operation (Fig. 18).
2. If the flap closes during mowing, this indicates that the grass bag is full and must be emptied.



NOTE: To ensure that the filling level indicator functions properly, keep the holes under the flap clean and permeable.

Mowing Tips

⚠ WARNING! Inspect the area prior to mowing and remove all the stones, sticks, wires and other foreign objects that could be picked up and thrown by the rotating blade. Failure to comply not only will damage the mower blade, but can also lead to serious personal injury.

- Be sure to check the mowing blade periodically for signs of wear and replace as needed, as described in the maintenance section.
NOTE: A sharp blade will greatly enhance the performance of the mower, especially when cutting tall blades of grass.
- When cutting thick grass, reduce your walking speed in order to allow for a more effective cut and a proper discharge of the clippings. For a healthy lawn, always cut off one-third or less from the total length of the grass. The average lawn should be approximately 1.5 in. to 2 in. (3.8 cm to 5 cm) long during cool months, and more than 2 in. (5 cm) long during hot months. If there is growth, the lawn should be cut in the fall.
- The lawn will look better if it is always cut to the same height and in alternate directions.
- When crossing any gravelled surfaces, release the switch bar lever to turn off the mower. The stones can be picked up and thrown by the rotating blade.
- Set the mower to the highest cutting height when mowing on uneven ground or in tall weeds.

⚠ WARNING! If you strike a foreign object, stop the motor and remove the batteries. Thoroughly inspect the mower and repair any damage before resuming work.

- **IMPORTANT!** Never open the ejector flap when the grass collection bag has been detached (to be emptied) and the motor is still running. A rotating blade can cause serious injuries!

- Always carefully fasten the ejector flap and grass collection bag. Switch off the motor before emptying the grass collection bag. Always ensure that a safe distance (provided by the length of the long handles) is maintained between the user and the mower housing. Be especially careful when mowing and changing direction on slopes and inclines.
- Maintain a solid footing and wear sturdy, non-slip footwear and long trousers. Always mow across an incline (not up and down).
- For safety reasons, the lawn mower may not be used to mow inclines with gradients exceeding 15 degrees.
- Use special caution when backing up and pulling the lawn mower towards you as such maneuvering of the machine poses a tripping hazard.
- For effective mulching, do not cut wet grass; it tends to stick to the underside of the deck, preventing the proper mulching of grass clippings. The best time to mow grass is in the late afternoon, when the grass is dry and the newly cut area will not be exposed to direct sunlight.
- For the best mulching performance, set the cutting height to remove approximately one third of the grass length, ideally no more than 1.5 in. at one time. If the grass is overgrown, it may be necessary to increase the cut height to make it easier to mow and to prevent overloading the motor. Slow your cutting pace in tall or thick grass conditions. For mulching extremely thick or tall grass, it is advisable to first cut at a high cut-height setting, and then re-cut to the final cut height. Otherwise, make narrower cuts and mow slowly. **ALWAYS MAKE SURE THAT THE BLADE IS SHARP**

Maintenance + Care

⚠ WARNING! Before cleaning, repairing or inspecting the mower, stop the machine, remove the batteries and the safety key. Verify that all moving parts have come to a complete stop.

General

- Always keep the mower clean and free of grass, dirt or other debris.
- Keep the handles dry, clean and free of oil and grease.
- After each cutting session, remove accumulated grass clippings and debris using either a dry cloth or handbrush. You may also clean the equipment with a damp cloth and some soft, non-abrasive soap. Do not use cleaning agents or harsh solvents as they may damage the equipment's plastic components. Make sure that no water penetrates the equipment's interior as intake of water can destroy the switch mechanism and the electric motor.
- Do not clean the lawn mower with running water, particularly with high-pressure water.
- Check all nuts, bolts and screws for proper tightness before each use.
- Frequently inspect the grass collection bag assembly for signs of wear and replace immediately with a genuine part if damage is found.
- Replace excessively worn or damaged parts immediately.

- To maximize your mower's longevity, all screwed parts, including the wheels and axles, should be cleaned and lubricated. There are no parts inside the equipment which require additional maintenance or lubrication.

Blade Maintenance

IMPORTANT: The mower blade is sharp and can cause severe personal injury if handled incorrectly. Wrap the blade or wear protective gloves, and use extra caution when handling.

The steel blade is designed to provide a fine cut in long or tough grass. Deterioration in the quality of cut indicates blade wear or damage. Follow these steps to determine if the blade needs to be resharpened or replaced:

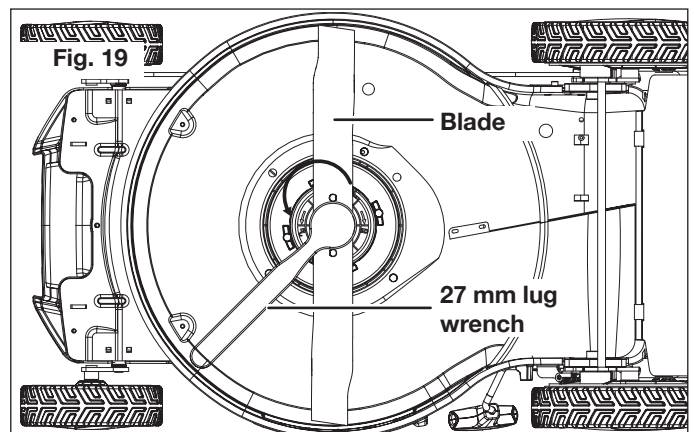
1. Disconnect the power supply to the mower by removing the batteries and the safety key.
2. Turn the mower on its side to expose the underside of the blade housing.
3. Check the blade.
 - a. If the blade is blunt or has minor wear, then resharpen.
 - b. If the blade shows signs of major wear or damage (i.e. gouged, bent), replace.

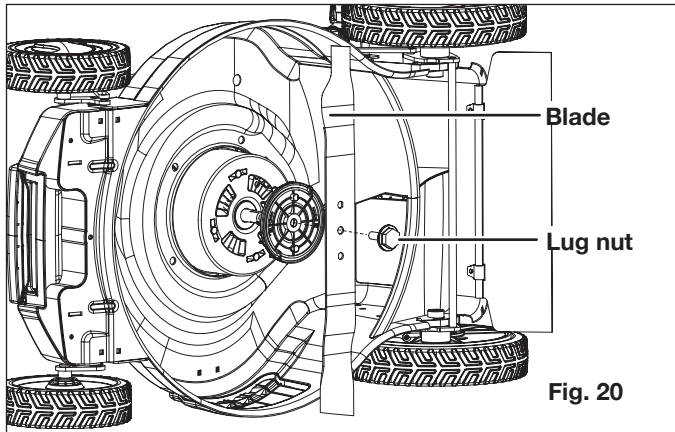
⚠ WARNING! An excessively vibrating mower indicates that the blade is not properly balanced or has become deformed from striking an object. In this case, the blade must be repaired or replaced. Please follow the proper maintenance procedures for blade care.

Blade Replacement

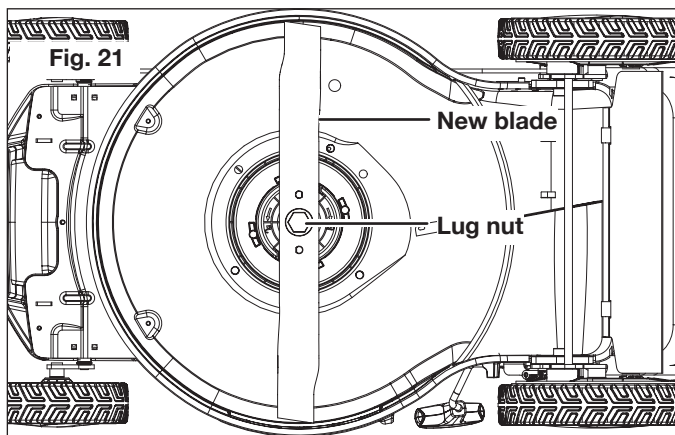
IMPORTANT: Only use original replacement parts specified for this mower. The use of parts that do not meet the original equipment specifications may lead to improper performance of the lawn mower, may compromise operator safety.

1. Remove the batteries and the safety key from the mower.
2. Turn the mower on its side to expose the underside of the blade housing.
3. Use a cloth to grip the blade or wear heavy-duty gloves.
4. Using a 27 mm lug wrench (not provided), remove the lug nut securing the blade by turning the lug nut counterclockwise, then carefully remove the blade (Figs. 19 to 20).





5. Fit the new blade on the same position and secure with the original lug nut (Fig. 21).

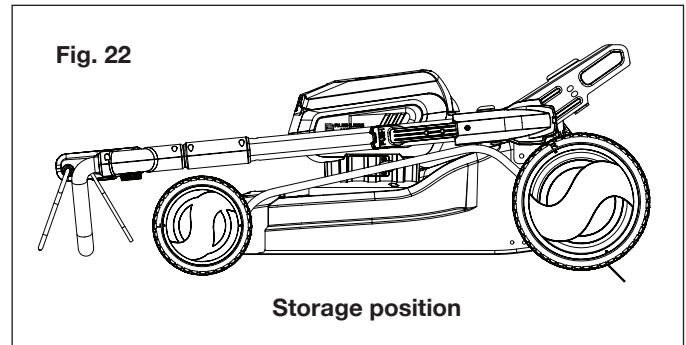


Storage

Follow the steps below to prepare the lawn mower for storage:

1. Remove the batteries and the safety key from the battery compartment.
2. Remove the grass collection bag. Engage the height adjustment lever in the lowest cutting height slot.
3. Clean the mower with a damp cloth or hand brush.
4. Inspect the mower carefully for worn, loose or damaged parts. Check connections and screws and tighten if necessary. Pay special attention to the mower blade and replace/sharpen if it shows signs of wear. Refer to the Maintenance and Care section.
5. Store the mower indoors in a dry, clean and cool area out of the reach of children. Do not store the unit next to corrosive materials, such as fertilizer and rock salt.
6. Do not cover the lawn mower with a solid plastic sheet. Plastic coverings trap moisture around the mower, which can damage the unit.
7. Press down the handle releasing button located on the middle bar of the handle frame, meanwhile push the upper handle frame to insert it into the lower handle frame.

8. Press and hold the handle latch. Gently pivot the handle frame toward the front of the mower until you hear and feel the handle frame locks in the storage position (Fig. 22).



Disposal

Recycling + Disposal

The product comes in a package that protects it against damage during shipping. Keep the package until you are sure that all parts have been delivered and the product is functioning properly. Recycle the package afterwards or keep it for long-term storage.



WEEE symbol. Waste electrical products should not be disposed of with household waste. Please recycle where facilities exist. Check with your local authority or local store for recycling regulations.

Battery Caution + Disposal

Always dispose of your battery packs according to federal, state, and local regulations. Contact a recycling agency in your area for recycling locations.

⚠ CAUTION! Even discharged battery packs contain some energy. Before disposing, use electrical tape to cover the terminals to prevent the battery pack from shorting, which could cause a fire or explosion.

⚠ WARNING! To reduce the risk of injury or explosion, never burn or incinerate a battery pack even if it is damaged, dead or completely discharged. When burned, toxic fumes and materials are emitted into the surrounding atmosphere.

1. Batteries vary according to device. Consult your manual for specific information.
2. Install only new batteries of the same type in your product (where applicable).
3. Failure to insert batteries in the correct polarity, as indicated in the battery compartment or manual, may shorten the life of the batteries or cause batteries to leak.
4. Do not mix old and new batteries.

- 5. Do not mix Alkaline, Standard (Carbon-Zinc) or Rechargeable (Nickel Cadmium, Nickel Metal Hydride, or Lithium-Ion) batteries.
- 6. Do not dispose of batteries in fire.
- 7. Batteries should be recycled or disposed of as per state and local guidelines.

Service + Support

If your Sun Joe® 24V-X2-21LMSP cordless lawn mower requires service or maintenance, please call 1-866-SNOWJOE (1-866-766-9563) for assistance.

Model + Serial Numbers

When contacting the company or reordering parts, you will need to provide the model and serial numbers of your product. These are found on the decal affixed to the housing or handle of your mower. Copy these numbers into the space provided below.

Record the following numbers from the housing or handle of your new product:	
	Model #:
2 4 V - X 2 - 2 1 L M S P	
	Serial #:

24VCHRG-DPC-2

Federal Communications Commission (FCC)

⚠️ WARNING! Any changes or modifications to this unit not expressly approved by the party responsible for compliance could void the user's authority to operate the equipment.

Class B device:

NOTE: This equipment has been tested and found to comply with the limits for a Class B digital device, pursuant to part 15 of the FCC Rules.

These limits are designed to provide reasonable protection against harmful interference in a residential installation.

This equipment generates, uses and can radiate radio frequency energy and, if not installed and used in accordance with the instructions, may cause harmful interference to radio communications.

However, there is no guarantee that interference will not occur in a particular installation.

If this equipment does cause harmful interference to radio or television reception, which can be determined by turning the equipment off and on, the user is encouraged to try to correct the interference by one or more of the following measures:

- Reorient or relocate the receiving antenna.
- Increase the separation between the equipment and receiver.
- Connect the equipment into an outlet on a circuit different from that to which the receiver is connected.
- Consult the dealer or an experienced radio/TV technician for help.

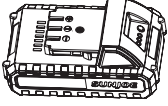
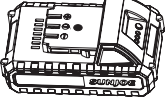


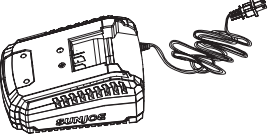
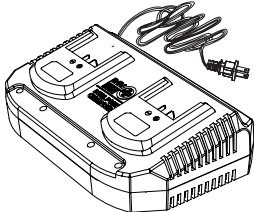

Troubleshooting

- Remove the batteries and the safety key before carrying out maintenance on the machine or when checking that its parts are in proper working order.
- To avoid unnecessary hassles, consult the following table before contacting a qualified repair person with any mechanical issues.

Fault	Possible Cause	Remedy
Mower fails to start	<ul style="list-style-type: none"> a) The safety key is not inserted b) The batteries are flat c) The batteries are not inserted securely d) The motor/blade control is disengaged e) The mower deck is clogged with grass or debris f) The grass is too tall 	<ul style="list-style-type: none"> a) Insert the safety key b) Charge the batteries c) Attach the battery packs to the mower; press it until you hear a click d) Press safety lock button first ,then the switch lever e) Clean the mower deck. Make sure the blade is free to move f) Set the mower to a high cutting height. Lift the front wheels slightly by pressing down on the handle bar
Mower stops while mowing	<ul style="list-style-type: none"> a) The batteries are flat b) The grass is too tall c) The mower deck is clogged with grass or debris d) The batteries or the mower circuitry is too hot 	<ul style="list-style-type: none"> a) Charge the batteries b) Reset the cutting height c) Clean the mower deck. Make sure the blade is free to move d) Cool down the batteries and the machine
The mower cannot cut grass evenly	<ul style="list-style-type: none"> a) The lawn is rough or uneven b) The blade is not sharp enough 	<ul style="list-style-type: none"> a) Adjust cutting height b) Sharpen or replace the blade
The mower cannot mulch properly	<ul style="list-style-type: none"> a) The mower deck is clogged with grass or debris b) The grass is too wet c) The grass is too tall d) The blade is not sharp enough 	<ul style="list-style-type: none"> a) Clean the mower deck. Make sure the blade is free to move b) Wait until the grass is dry c) Adjust the cutting height to the high position to mow for the first time, and mow again at the desired height setting d) Sharpen or replace the blade
The mower is difficult to push	<ul style="list-style-type: none"> a) The grass is too tall to cut b) The blade or the mower rear is dragged by heavy grass 	<ul style="list-style-type: none"> a) Adjust cutting height higher
The mower is vibrating at high speed	<ul style="list-style-type: none"> a) The motor shaft is bent b) The blade is unbalanced c) The blade lug nut is loose 	<ul style="list-style-type: none"> a) Stop the motor, remove the batteries, and inspect the damage. Contact with a qualified repair person. b) Balance the blade by grinding each cutting edge equally or replace a new one c) Tighten the blade lug nut

Optional Accessories

⚠️ WARNING! ALWAYS use only authorized Snow Joe® + Sun Joe® replacement parts and accessories. NEVER use replacement parts or accessories that are not intended for use with this tool. Contact Snow Joe® + Sun Joe® if you are unsure whether it is safe to use a particular replacement part or accessory with your tool. The use of any other attachment or accessory can be dangerous and could cause injury or mechanical damage.

Accessories	Item	Model
	24V iON+ 2.0 Ah Lithium-Ion Battery	24VBAT-LTE
	24V iON+ 2.5 Ah Lithium-Ion Battery	24VBAT-LT
	24V iON+ 4.0 Ah Lithium-Ion Battery	24VBAT
	24V iON+ 5.0 Ah Lithium-Ion Battery	24VBAT-XR
	24V iON+ Lithium-Ion Battery Quick Charger	24VCHRG-QC
	24V iON+ Lithium-Ion Dual-port Battery Charger	24VCHRG-DPC
	Cutting Blade Replacement	iON100V-21LM-BLD

NOTE: Accessories are subject to change without any obligation on the part of Snow Joe® + Sun Joe® to provide notice of such changes. Accessories can be ordered online at sunjoe.com or via phone by contacting the Snow Joe® + Sun Joe® customer service center at 1-866-SNOWJOE (1-866-766-9563).



SNOW JOE® + SUN JOE® CUSTOMER PROMISE

ABOVE ALL ELSE, Snow Joe, LLC (“Snow Joe”) is dedicated to you, our customer. We strive to make your experience as pleasant as possible. Unfortunately, there are times when a Snow Joe®, Sun Joe®, or Aqua Joe® product (“Product”) does not work or breaks under normal operating conditions. We think it’s important that you know what you can expect from us. That’s why we have a Limited Warranty (“Warranty”) for our Products.

OUR WARRANTY:

Snow Joe warrants new, genuine, powered and non-powered Products to be free from defects in material or workmanship when used for ordinary household use for a period of two years from the date of purchase by the original, end-user purchaser when purchased from Snow Joe or from one of Snow Joe’s authorized sellers with proof of purchase. Because Snow Joe is unable to control the quality of its Products sold by unauthorized sellers, unless otherwise prohibited by law, this Warranty does not cover Products purchased from unauthorized sellers. If your Product does not work or there’s an issue with a specific part that is covered by the terms of this Warranty, Snow Joe will elect to either (1) send you a free replacement part, (2) replace the Product with a new or comparable product at no charge, or (3) repair the Product. How cool is that!

This Warranty gives you specific legal rights, and you may also have other rights which vary from State to State.

PRODUCT REGISTRATION:

Snow Joe strongly encourages you to register your Product. You can register online at snowjoe.com/register, or by printing and mailing in a registration card available online from our website, or calling our Customer Service Department at **1-866-SNOWJOE (1-866-766-9563)**, or by e-mailing us at help@snowjoe.com. Failure to register your Product will not diminish your warranty rights. However, registering your Product will allow Snow Joe to better serve you with any of your customer service needs.

WHO CAN SEEK LIMITED WARRANTY COVERAGE:

This Warranty is extended by Snow Joe to the original purchaser and original owner of the Product.

WHAT IS NOT COVERED?

This Warranty does not apply if the Product has been used commercially or for non-household or rental applications. This Warranty also does not apply if the Product was purchased from an unauthorized seller. This Warranty also does not cover cosmetic changes that do not affect performance. Wearing parts like belts, augers, chains and tines are not covered under this Warranty, and can be purchased at snowjoe.com or by calling **1-866-SNOWJOE (1-866-766-9563)**.



MANUAL DEL OPERADOR

Una división de Snow Joe®, LLC

PODADORA DE CÉSPED INALÁMBRICA

48 V MÁX.* | 4.0 Ah | 53.3 CM

ES

Modelo 24V-X2-21LMSP

Forma N° SJ-24V-X2-21LMSP-880S-MR1

¡IMPORTANTE! Instrucciones de seguridad

Todos los operadores deberán leer estas instrucciones antes del uso

Siempre obedezca estas normas de seguridad. No hacerlo podría causar lesiones personales severas o incluso la muerte.

¡ADVERTENCIAS generales de seguridad!

Usted debe tomar precauciones básicas de seguridad siempre que use esta podadora de césped inalámbrica para reducir riesgos de incendio, choque eléctrico y lesiones personales. Estas precauciones incluyen:

⚠ ¡ADVERTENCIA! No la opere sin su bolsa recolectora de césped, protector contra descargas, protector posterior u otros dispositivos de seguridad en su lugar y funcionando apropiadamente.

⚠ ¡ADVERTENCIA! El uso de cualquier otro accesorio o acoplamiento podría aumentar el riesgo de lesiones personales.

⚠ ¡ADVERTENCIA! Para reducir el riesgo de lesiones personales, inspeccione frecuentemente el ensamblado de la bolsa recolectora de césped y reemplácelo con las partes recomendadas si es que presenta señales de desgaste o deterioro.

Antes de usar la podadora, tómese el tiempo para familiarizarse con los controles y, sobre todo, con la forma de detener la podadora en caso de emergencia. Las únicas personas que deben usar la podadora son aquellas que tengan un entendimiento completo de las instrucciones y sepan cómo operar esta máquina. Los niños nunca deben tener acceso a la podadora.

Conserve este manual para futuras referencias y vuélvalo a leer al inicio de cada temporada de podado.

⚠ ¡ADVERTENCIA! El contacto con las partes móviles puede causar enredos o lesiones personales severas incluyendo mutilaciones. Mantenga siempre las partes del cuerpo (p. ej., manos y pies) a una distancia segura de las partes móviles de la máquina. Asegúrese de que todos los protectores y cubiertas estén colocados de forma correcta y segura antes del uso.

Las superficies calientes (es decir, el motor) pueden encender objetos inflamables o combustibles y ocasionar un incendio o explosión que cause lesiones personales severas. Mantenga la podadora a una distancia segura lejos de objetos inflamables o combustibles hasta que las superficies que estén calientes se hayan enfriado por completo. No almacene la podadora cerca de objetos inflamables o combustibles.

Una cuchilla dañada o tuerca de cuchilla gastada puede desprenderse del ensamblado de la podadora y causar severas lesiones personales. Reemplace la cuchilla dañada o tuerca de cuchilla gastada antes de usar la podadora.

- 1. Evite entornos peligrosos:** no use la podadora bajo la lluvia, ni cuando el césped esté húmedo o mojado.
- 2. Mantenga alejados a los niños, espectadores y mascotas:** mantenga siempre a los niños, espectadores y mascotas a una distancia segura de la podadora mientras está en funcionamiento y mientras se esté enfriando.
- 3. Vístase apropiadamente:** utilice siempre equipos de protección personal (por ejemplo gafas, guantes de hule, calzado protector y máscara antipolvo) y una vestimenta adecuada al usar la podadora. La ropa suelta, alhajas o el cabello largo pueden engancharse en las partes móviles.
- 4. Use el artefacto correcto:** no use esta podadora en ninguna aplicación distinta a las aplicaciones para la que ha sido diseñada.
- 5. No fuerce la podadora de césped:** tendrá un mejor funcionamiento con menos probabilidades de lesiones personales o fallas mecánicas si es usada a la velocidad para la cual fue diseñada.
- 6. No se extralimite:** mantenga con sus pies una posición y un equilibrio adecuados todo el tiempo.
- 7. Manténgase alerta:** esté siempre alerta y vea lo que está haciendo. Utilice su sentido común. No opere la podadora de césped si usted está cansado o bajo la influencia del alcohol u otras drogas.
- 8. Desconecte la podadora de césped:** APAGUE y retire las baterías y la llave de seguridad cuando la podadora no esté siendo usada, antes de ser reparada, al cambiarle accesorios, o al realizar cualquier otra tarea de mantenimiento en esta.
- 9. Guarde la podadora de césped inactiva bajo techo:** cuando no esté siendo usada, la podadora de césped debe guardarse bajo techo y en un lugar seco, bajo llave y lejos del alcance de los niños.

10. **Cuide su podadora de césped:** mantenga las cuchillas afiladas y limpias para un mejor y más seguro funcionamiento.
11. **Use equipos de protección personal. Emplee siempre protección ocular:** al ser usados en situaciones apropiadas, los equipos protectores tales como gafas de seguridad, máscara antipolvo, zapatos antideslizantes, casco o protección auditiva, reducirán las probabilidades de lesiones personales.
12. **Evite encendidos accidentales:** asegúrese de que el interruptor esté en la posición de APAGADO antes de insertar las baterías o la llave de seguridad, o antes de levantar o transportar la herramienta motorizada. Llevar herramientas motorizadas con su dedo sobre el interruptor o cargarlas con el interruptor en la posición de ENCENDIDO puede provocar accidentes.
13. **Retire cualquier destornillador o llave de ajuste antes de encender la herramienta:** una llave inglesa o de otro tipo conectada a una parte giratoria de la herramienta motorizada podría causar lesiones personales.
14. **Mantenga la cuchilla limpia y afilada:** las cuchillas mantenidas adecuadamente, con bordes afilados, tienen menos probabilidades de atascarse y son más fáciles de controlar.
15. **Mantenga todas las partes del cuerpo alejadas de la cuchilla:** no retire material cortado ni sujete el material a ser cortado cuando las cuchillas estén moviéndose. Asegúrese de que el interruptor esté apagado al retirar material atascado. Un momento de distracción durante el uso de este producto podría ocasionar lesiones personales severas.
16. Si la podadora de césped golpea un objeto extraño, siga estas instrucciones:
 - i) Detenga la podadora soltando la palanca interruptora;
 - ii) Retire las baterías y la llave de seguridad;
 - iii) Inspeccione la unidad en busca de daños; y
 - iv) Repare cualquier daño antes de volver a encender la podadora de césped.
17. Solo use cuchillas de repuesto idénticas y otras partes genuinas.
18. Mantenga los protectores en su lugar y funcionando apropiadamente.
3. Evite el contacto de su cuerpo con superficies puestas a tierra tales como tuberías, radiadores, cocinas eléctricas y refrigeradoras. Hay un mayor riesgo de un choque eléctrico si su cuerpo está conectado a tierra.
4. **No exponga las herramientas motorizadas a la lluvia o a entornos mojados.** El agua que entre a una herramienta motorizada incrementará el riesgo de choque eléctrico.
5. **No maltrate el cable para carga.** Nunca use el cable para transportar, jalar o desenchufar el cargador. Mantenga el cable alejado del calor, aceite, bordes afilados o partes en movimiento. Los cables dañados o enredados aumentan el riesgo de un choque eléctrico.
6. El cargador de baterías solo es para uso en interiores. No cargue las baterías bajo la lluvia o en lugares mojados.

Instrucciones de seguridad para las baterías y el cargador

Prestamos mucha atención al diseño de cada batería para garantizar la producción de baterías seguras y durables, con una alta densidad de energía. Las celdas de las baterías tienen varios dispositivos de seguridad. Cada celda individual es inicialmente formateada y sus curvas eléctricas características son registradas. Estos datos son luego usados exclusivamente para ensamblar las mejores baterías posibles.

Independientemente de todas las precauciones de seguridad, se debe tener mucho cuidado al manipular las baterías. Las siguientes instrucciones deben ser obedecidas en todo momento para garantizar un uso seguro. Un uso seguro solo puede ser garantizado si se usan celdas libres de daños. Una manipulación incorrecta de las baterías puede causar daños en sus celdas.

¡IMPORTANTE! Los análisis han confirmado que el uso incorrecto y el cuidado deficiente de baterías de alto rendimiento son las causas principales de lesiones personales y/o daños al producto.

⚠ ¡ADVERTENCIA! Use solo baterías de repuesto aprobadas. Otras baterías pueden dañar la podadora y provocar un desperfecto que pueda causar lesiones personales severas.


⚠ ¡PRECAUCIÓN! Para reducir el riesgo de lesiones personales, cargue las baterías de iones de litio iON+ de 24 V solo con el cargador de baterías de iones de litio iON+ de 24 V designado. Otros tipos de cargadores presentan riesgos de incendio, lesiones personales y daños materiales. No conecte las baterías a un tomacorriente doméstico ni encendedor de cigarrillos en su vehículo. Dicho uso indebido dañará o deshabilitará permanentemente las baterías.

- **Evite entornos peligrosos:** no cargue las baterías bajo la lluvia o nieve, ni en lugares húmedos o mojados. No use las baterías ni el cargador en atmósferas explosivas (gases, polvo o materiales inflamables) ya que al insertar o retirar las baterías se pueden generar chispas que causen un incendio.

Seguridad eléctrica

1. Si el cable del cargador de baterías está dañado, comuníquese con la central de servicio al cliente Snow Joe® + Sun Joe® llamando al 1-866-SNOWJOE (1-866-766-9563).
2. Si cargar la herramienta motorizada en una ubicación mojada es inevitable, utilice una fuente de alimentación protegida por un dispositivo de corriente residual (residual current device o RCD por sus siglas en inglés). El uso de un RCD reduce el riesgo de un choque eléctrico.

- **Cargue las baterías en un área bien ventilada:** no bloquee los conductos de ventilación del cargador. Manténgalos despejados para permitir una ventilación adecuada. No permita que se fume o haya fuego abierto cerca de baterías siendo cargadas. Los gases presentes pueden explotar.
NOTA: el rango seguro de temperatura para las baterías es de 41°F (5°C) a 105°F (40.5°C). No cargue las baterías en exteriores a temperaturas congelantes. Carguelas a temperatura ambiente en interiores.
- **Cuide el cable de alimentación del cargador:** al desenchufar el cargador tire del enchufe, no del cable de alimentación, para desconectarlo del tomacorriente y así evitar daños al enchufe y cable. Nunca transporte el cargador colgado de su cable, ni tire del cable para desconectarlo del tomacorriente. Mantenga el cable alejado del calor, grasas y bordes afilados. Asegúrese de que el cable no sea pisado, que la gente no se tropiece con éste, ni que esté sujeto a daños o tensiones mientras el cargador esté siendo usado. No use el cargador con un cable o enchufe dañado. Reemplace un cargador dañado inmediatamente.
- **No use un cable de extensión a menos que sea absolutamente necesario:** usar un cable de extensión incorrecto, dañado o conectado de forma inapropiada puede causar un incendio o choque eléctrico. Si se debe usar un cable de extensión, conecte el cargador a un cable de extensión de calibre AWG N° 16 (o más grueso) de alambrado adecuado, con el enchufe macho del cargador encajando perfectamente en el enchufe hembra del cable de extensión. Verifique que el cable de extensión esté en buenas condiciones.
- **El cargador 24VCHRГ-DPC está clasificado solo para 120 V CA:** el cargador debe estar enchufado a un tomacorriente apropiado.
- **Use solo los accesorios recomendados:** el uso de un accesorio no recomendado ni vendido por el fabricante de las baterías o cargador puede causar un choque eléctrico, incendio o lesiones personales.
- **Desenchufe el cargador cuando no esté siendo usado:** asegúrese de retirar las baterías de los cargadores desenchufados.

 **¡ADVERTENCIA!** Para reducir el riesgo de un choque eléctrico, desenchufe siempre el cargador antes de llevar a cabo cualquier tarea de limpieza o mantenimiento. No permita que entre agua dentro del cargador. Use un interruptor de circuito por falla a tierra (GFCI) para reducir el riesgo de un choque eléctrico.

- **No quemar ni incinerar baterías:** las baterías pueden explotar, causando lesiones personales o daños. Cuando las baterías son quemadas se generan sustancias y humos tóxicos.
- **No triture, deje caer ni dañe las baterías:** no use las baterías ni el cargador si han sido severamente golpeados, se han dejado caer, se han aplastado o se han dañado de cualquier forma como por ejemplo perforados con un clavo, golpeados con un martillo, pisados, etc.

- **No desarme las baterías ni el cargador:** un reensamblado incorrecto puede presentar un riesgo severo de choque eléctrico, fuego o exposición a químicos tóxicos de las baterías. Si las baterías o el cargador están dañados, contacte a un distribuidor autorizado Snow Joe® + Sun Joe® o comuníquese con la central de servicio al cliente Snow Joe® + Sun Joe® llamando al 1-866-SNOWJOE (1-866-766-9563).
- **Los químicos de las baterías causan quemaduras severas:** nunca deje que una batería dañada haga contacto con la piel, ojos o boca. Si una batería dañada deja escapar químicos, use guantes de hule o neopreno para deshacerse de ella de forma segura. Si la piel es expuesta a los químicos de la batería, lave el área afectada con jabón y agua, y enjuague con vinagre. Si los ojos son expuestos a los químicos, inmediatamente enjuáguelos con agua durante 20 minutos y busque atención médica. Quítese y deshágase de las vestimentas contaminadas.
- **No provoque un cortocircuito:** una batería puede hacer cortocircuito si un objeto metálico hace conexión entre los contactos positivo y negativo de la batería. No coloque una batería cerca de objetos que puedan causar un cortocircuito tales como monedas, sujetapapeles, tornillos, clavos, llaves u otros objetos metálicos. Una batería cortocircuitada representa un riesgo de incendio y lesiones personales severas.
- **Guarde sus baterías y cargador en un lugar fresco y seco:** no guarde las baterías ni el cargador donde las temperaturas puedan exceder los 105°F (40.5°C), como bajo la luz directa del sol o dentro de un vehículo o construcción metálica durante el verano.

Información sobre las baterías

1. Las baterías suministradas con su podadora de césped inalámbrica están cargadas solo parcialmente. Las baterías tienen que ser cargadas por completo antes de que usted use esta herramienta por primera vez.
2. Para un óptimo rendimiento de las baterías, evite ciclos de descarga baja cargándolas frecuentemente.
3. Guarde las baterías en un lugar fresco, de preferencia a 77°F (25°C), y cargadas al menos a un 40%.
4. Las baterías de iones de litio están sujetas a un proceso natural de desgaste. Las baterías deben ser reemplazadas a más tardar cuando su capacidad caiga a un 80% de su capacidad inicial, cuando estaban nuevas. Las celdas debilitadas en baterías gastadas no son capaces de cumplir con los requisitos de alta potencia necesarios para la operación adecuada de su podadora de césped inalámbrica, y por tanto representan un riesgo de seguridad.
5. No arroje las baterías al fuego abierto ya que pueden explotar.
6. No quemar las baterías ni las exponga al fuego.

7. No descargue las baterías exhaustivamente, ya que una descarga exhaustiva dañará sus celdas. La causa más común de descarga exhaustiva es el almacenamiento prolongado o la falta de uso de baterías parcialmente descargadas. Deje de trabajar tan pronto como el rendimiento de las baterías caiga considerablemente o se active el sistema de protección electrónico. Almacene las baterías a largo plazo únicamente luego de haberlas cargado por completo.
8. Proteja las baterías y la herramienta contra sobrecargas. Las sobrecargas causarán rápidamente un sobrecalentamiento y daños a las celdas dentro de la batería, incluso si este sobrecalentamiento no es aparente por fuera.
9. Evite daños y golpes. Reemplace inmediatamente una batería que se haya caído desde una altura de más de un metro o que haya sido expuesta a golpes violentos, incluso si el exterior de la batería aparenta no tener daños. Las celdas dentro de la batería pueden haber sufrido daños severos. En dichos casos, lea la información de eliminación para deshacerse apropiadamente de la batería.
10. Si las baterías sufren una sobrecarga y sobrecalentamiento, el sistema interruptor de corte de protección integrado apagará el equipo por motivos de seguridad. Si esto ocurre, apague la herramienta y deje que las baterías se enfríen por algunos minutos antes de volverla a encender.
11. Use únicamente baterías originales. El uso de otras baterías puede causar lesiones personales o una explosión.
6. Durante periodos de trabajo pesado, las baterías se calentarán. Permita que las baterías se enfríen a temperatura ambiente antes de insertarlas en el cargador para su recarga.
7. No sobrecargue las baterías. No exceda los tiempos máximos de carga. Estos tiempos de carga solo se aplican a baterías descargadas. La inserción frecuente de baterías cargadas o parcialmente cargadas resultará en una sobrecarga y daños a las celdas. No deje las baterías en el cargador por días enteros.
8. Nunca use o cargue las baterías si sospecha que han pasado más de doce (12) meses desde la última vez que fueron cargadas. Existe una alta probabilidad de que las baterías ya hayan sufrido daños severos (descarga exhaustiva).
9. Cargar baterías a temperaturas menores de 41°F (5°C) causará daños químicos a las celdas y puede provocar un incendio.
10. No use baterías que hayan sido expuestas al calor durante el proceso de carga, ya que sus celdas pueden haber sufrido daños severos.
11. No use baterías que se hayan curvado o deformado durante el proceso de carga, ni que muestren otros síntomas atípicos tales como liberación de gases, zumbidos, grietas, etc.
12. Nunca descargue por completo las baterías (se recomienda una profundidad de descarga de un 80%). Una descarga completa de las baterías conducirá a un envejecimiento prematuro de las celdas de las baterías.

Información sobre el cargador y el proceso de carga

1. Verifique la información indicada en la placa de especificaciones del cargador de baterías. Asegúrese de conectar el cargador de baterías a una fuente de alimentación que tenga el voltaje indicado en su placa de especificaciones. Nunca lo conecte a una fuente de alimentación con un voltaje diferente al indicado.
2. Proteja el cargador de baterías y su cable contra daños. Mantenga el cargador de baterías y su cable alejados del calor, grasa, aceite y bordes afilados. Haga reparar sin demora los cables dañados por un técnico calificado en un concesionario autorizado Snow Joe® + Sun Joe® o comuníquese con la central de servicio al cliente Snow Joe® + Sun Joe® llamando al 1-866-SNOWJOE (1-866-766-9563).
3. Los enchufes deben encajar en los tomacorrientes. Nunca modifique el enchufe de ninguna manera. No use ningún adaptador de enchufe con artefactos que tengan conexión a tierra. El uso de enchufes no modificados y tomacorrientes equivalentes reducirá el riesgo de un choque eléctrico.
4. Mantenga el cargador de baterías, las baterías y la herramienta inalámbrica lejos del alcance de los niños.
5. No use el cargador de baterías para cargar baterías de otras herramientas inalámbricas.

Protección contra influencias del entorno

1. Use ropa de trabajo adecuada. Use gafas protectoras.
2. Proteja su herramienta inalámbrica y cargador de baterías contra la humedad y la lluvia. La humedad y la lluvia pueden causar daños severos a las celdas de las baterías.
3. No use la herramienta inalámbrica ni el cargador de baterías cerca de vapores y líquidos inflamables.
4. Use el cargador de baterías y la herramienta inalámbrica solo en entornos secos y a una temperatura ambiente de entre 41°F (5°C) y 105°F (40.5°C).
5. No coloque el cargador de baterías en lugares donde la temperatura pueda sobrepasar los 105°F (40.5°C). En particular, no deje el cargador de baterías en un auto estacionado bajo la luz directa del sol.
6. Proteja las baterías contra el sobrecalentamiento. Las sobrecargas, exceso de carga y exposición a la luz directa del sol darán como resultado un sobrecalentamiento y daños a las celdas. Nunca cargue ni trabaje con baterías que hayan estado sobrecalentadas. De ser posible, reemplácelas inmediatamente.

7. Guarde el cargador de baterías y su herramienta inalámbrica solo en entornos secos y a una temperatura ambiente de entre 41°F (5°C) y 105°F (40.5°C). Guarde sus baterías de iones de litio en un lugar fresco y seco, a una temperatura ambiente de 77°F (25°C). Proteja las baterías, el cargador y la herramienta inalámbrica contra la humedad y la luz directa del sol. Solo almacene baterías cargadas por completo.
 8. Evite que las baterías de iones de litio se congelen. Las baterías almacenadas a temperaturas menores de 32°F (0°C) por más de una hora deberán ser desechadas.
 9. Al manipular una batería, tenga cuidado con las descargas electrostáticas. Las descargas electrostáticas pueden dañar el sistema electrónico de protección y las celdas de la batería. Evite las descargas electrostáticas y nunca toque los polos de la batería.
- No opere la máquina si usted está cansado o bajo la influencia del alcohol o las drogas.
 - Nunca opere la podadora de césped sobre césped mojado. Esté siempre atento a dónde esté pisando. Camine, nunca corra, con la podadora.
 - Si la máquina empieza a vibrar de manera anormal, detenga el motor e inmediatamente inspeccione la máquina para determinar la causa de la vibración. Las vibraciones generalmente son señales de problemas.
 - Mantenga la cuchilla afilada.
 - Mantenga las manos y los pies lejos del área de corte.
 - Utilice siempre protección ocular al operar la máquina.
 - Los objetos arrojados por la cuchilla de la podadora de césped pueden causar lesiones personales severas. Siempre se debe examinar cuidadosamente el área a podar y retirar todos los objetos antes de cada poda.

¡IMPORTANTE!

Instrucciones de seguridad para podadoras de rodadura

Operación general

- Lea, entienda y siga todas las instrucciones en la máquina y en el(los) manual(es) antes de empezar.
- No ponga sus manos o pies cerca o debajo de la máquina. Manténgase siempre alejado de la abertura de descarga.
- Solo adultos responsables familiarizados con las instrucciones deberán estar autorizados a operar esta máquina.
- Retire del área a podar objetos extraños como rocas, alambres, juguetes y otros objetos que pueden ser recogidos y arrojados por las cuchillas. Manténgase detrás del mango cuando el motor esté funcionando.
- Asegúrese de que el área a podar esté libre de transeúntes antes de encender la máquina. Detenga la máquina si alguien entra al área.
- No opere la máquina descalzo o usando sandalias. Use siempre calzado protector.
- Siempre mire hacia abajo y hacia atrás antes y durante el movimiento en reversa de la podadora.
- Nunca arroje material directamente hacia nadie. Evite arrojar material contra una pared u otras obstrucciones.
- No opere la máquina sin todo el receptor de césped, protector contra descargas, protector posterior u otro dispositivo de seguridad en su lugar y funcionando apropiadamente.
- Nunca deje sin atender una máquina encendida.
- Detenga el motor y espere a que las cuchillas se hayan detenido por completo antes de limpiar la máquina, retirar el receptor de césped o desatascar el protector contra descargas.
- Opere la máquina solo bajo luz diurna o luz artificial apropiada.

Trabajo en pendientes

Las pendientes son causas principales de accidentes de resbalos y caídas, los cuales pueden causar lesiones personales severas. La operación en todas las pendientes requiere mucho cuidado. Si no se siente seguro en una pendiente, no la pade.

- Pade el césped de forma lateral en la pendiente. Nunca pade pendientes siguiendo una ruta trasversal de arriba a abajo. Tenga mucho cuidado al cambiar de dirección en una pendiente.
- Esté atento a hoyos, surcos, baches, rocas u otros objetos ocultos. Estos pueden causar un inesperado resbalón o caída.
- No pade sobre césped mojado o pendientes demasiado inclinadas. Una mala postura puede causar un accidente de resbalo y caída.
- No pade cerca de laderas, zanjas o terraplenes. Usted puede perder su postura o equilibrio.

Niños

Pueden ocurrir accidentes trágicos si el operador no está alerta de la presencia de niños. Los niños son generalmente atraídos a la máquina y a la actividad de podado. Nunca asuma que los niños permanecerán en donde usted los vio por última vez.
















- Mantenga a los niños lejos del área de poda y bajo la estricta vigilancia de un adulto responsable que no sea el operador.
- Esté siempre atento y apague la podadora si un niño entra al área.
- Nunca permita que niños operen esta máquina.
- Tenga especial cuidado al acercarse a esquinas ciegas, arbustos, árboles u otros objetos que puedan impedir ver a un niño.

Servicio

- Detenga la máquina y quítele las baterías antes de repararla, limpiarla o retirar los recortes de césped.
- Mantenga ajustados todos los pernos y tuercas.
- Nunca manipule los dispositivos de seguridad. Inspecciónelos regularmente para asegurarse de que estén en su lugar y funcionando apropiadamente.
- Mantenga la podadora libre de acumulaciones de césped, hojas y otros residuos.
- Si la máquina golpea un objeto extraño, deténgase e inspeccione la máquina. Repárela, de ser necesario, antes de reiniciar su trabajo.
- Nunca efectúe ningún ajuste o reparación con el motor encendido. Siempre retire las baterías antes de ajustar, limpiar o reparar la unidad.
- Verifique frecuentemente los componentes de la bolsa recolectora de césped y del protector contra descargas, y reemplácelos con partes recomendadas por el fabricante cuando sea necesario.
- La cuchilla de la podadora de césped está afilada. Al manipular la cuchilla, envuélvala o use guantes, y tenga especial cuidado al repararla.
- Conserve o reemplace las etiquetas de seguridad y de instrucción, de ser necesario.
- Si su herramienta motorizada requiere servicio, contacte a un distribuidor Snow Joe® + Sun Joe® autorizado o comuníquese con la central de servicio al cliente Snow Joe® + Sun Joe® llamando al 1-866-SNOWJOE (1-866-766-9563). Para las reparaciones se deben utilizar únicamente partes de repuesto idénticas. Esto mantendrá la seguridad de la herramienta motorizada.
- Si el cable de su cargador de baterías está dañado, deberá ser reemplazado inmediatamente para evitar accidentes. Comuníquese con la central de servicio al cliente Snow Joe® + Sun Joe® llamando al 1-866-SNOWJOE (1-866-766-9563) para obtener asistencia.

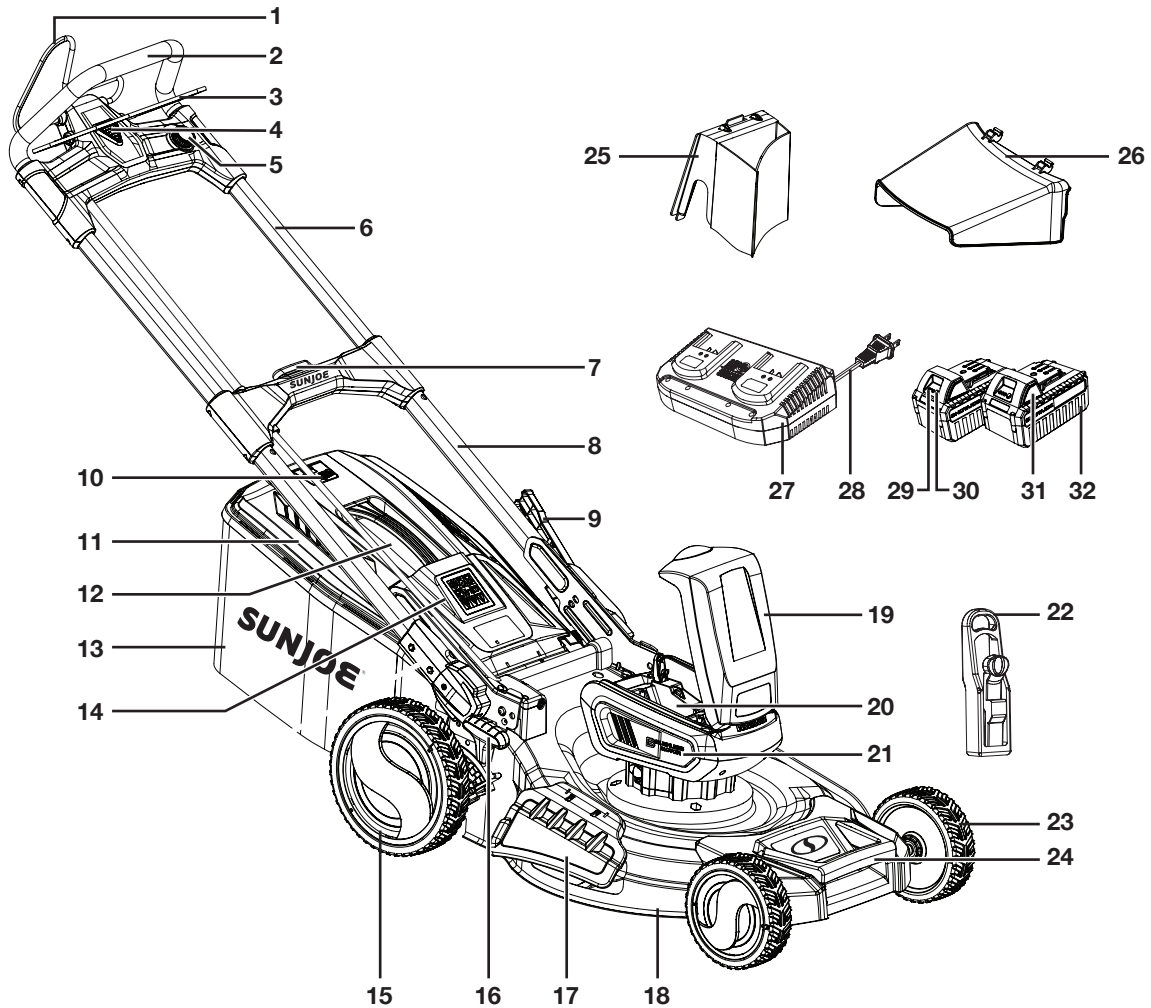
Símbolos de seguridad

La siguiente tabla muestra y describe los símbolos de seguridad que pueden aparecer en este producto. Lea, comprenda y siga todas las instrucciones de la máquina antes de intentar ensamblarla y operarla.

Símbolo	Descripción	Símbolo	Descripción
	¡PELIGRO! Cuchillas giratorias. Mantenga los pies y manos alejados.		Mantenga a los transeúntes y niños alejados a una distancia segura.
	Alerta de seguridad. Precaución. Para reducir el riesgo de lesiones personales, el usuario debe leer el manual de instrucciones.		Use protección para sus ojos y oídos. Para evitar lesiones personales, use protectores para los oídos y gafas de seguridad.
	¡ADVERTENCIA! No exponga ni opere la unidad bajo la lluvia o en entornos mojados. Manténgala seca.		Use guantes protectores y calzado no deslizante al operar esta máquina y al manipular desechos.
	Peligro de resbalo en pendientes: tenga extremo cuidado al podar en pendientes para evitar resbalar y caer.		Amputación de dedos de pies o manos por cuchilla giratoria de podadora de césped.
	Los objetos arrojados y la cuchilla giratoria pueden causar lesiones personales severas.		Mantenga a los espectadores a una distancia segura del área de trabajo.
	Las cuchillas continúan girando luego de que la máquina se haya apagado.		¡ADVERTENCIA! Siempre APAGUE la máquina y retire la llave de seguridad antes de llevar a cabo tareas de inspección, limpieza o mantenimiento.
	Cuchillas giratorias. Mantenga las manos y pies alejados de la abertura mientras la máquina esté funcionando.		Mire hacia atrás cuando retroceda con la podadora de césped.
	Solo para uso en interiores. Utilice el cargador de baterías solamente en interiores.		

Conozca su podadora de césped inalámbrica

Lea detenidamente el manual del operador y las instrucciones de seguridad antes de operar la podadora. Compare la ilustración debajo con la podadora de césped inalámbrica para familiarizarse con las ubicaciones de los diversos controles y ajustes. Conserve este manual para futuras referencias.



- | | | |
|--|--|---|
| 1. Palanca de auto-propulsión | 12. Mango de bolsa recolectora de césped | 24. Manillar para transporte |
| 2. Empuñadura suave | 13. Bolsa recolectora de césped | 25. Enchufe de mantillo |
| 3. Palanca interruptora | 14. Compuerta eyectora | 26. Conducto de descarga lateral |
| 4. Botón de seguridad | 15. Rueda posterior | 27. Cargador de doble puerto de baterías de iones de litio iON+ de 24 V (24VCHRG-DPC) |
| 5. Dial de control de velocidad de auto-propulsión | 16. Palanca de ajuste de altura | 28. Conector de cargador |
| 6. Estructura de mango superior | 17. Compuerta de descarga lateral | 29. Indicador de batería |
| 7. Botón de destrabado de mango | 18. Plataforma de podado | 30. Botón para indicador de batería |
| 8. Estructura de mango inferior | 19. Tapa de compartimiento de batería | 31. Botón de trabado |
| 9. Pestillo de mango | 20. Compartimiento de baterías | 32. Batería de iones de litio iON+ de 24 V (24VBAT) con exclusiva tecnología (2 x 24VBAT) EcoSharp® |
| 10. Ventana indicadora de llenado de césped | 21. Carcasa de motor | |
| 11. Cubierta de bolsa recolectora de césped | 22. Llave de seguridad | |
| | 23. Rueda frontal | |

Datos técnicos

Motor sin escobillas	Entrada: 1,100 W Salida: 900 W
Voltaje máximo de baterías	48 V CC (2 × 24 V)
Capacidad de baterías	4.0 Ah
Entrada de cargador.....	120V CA, 60Hz, 160 W
Salida de cargador	26 V CC, 2 × 2.2 A
Tiempo máximo de carga	1 hr 50 min
Ancho de corte máximo	20 plg (51 cm)
Altura de corte	De 1.2 plg a 3.5 plg (de 30 mm a 90 mm)
Tamaño de cubierta	21 plg (53.3 cm)
Capacidad de bolsa recolectora	13.2 gal (50 L)
Velocidad de auto-propulsión	De 0.6 m/s a 1.4 m/s
Velocidad sin carga	2,500 RPM
Peso neto	65 lb (29.6 kg)

* Genera 48 V máx. con dos baterías de iones de litio de 24 V. El voltaje inicial sin carga para cada batería completamente cargada alcanza un máximo de 24 V. El voltaje nominal bajo una carga típica es de 21.6 V

Desembalaje

Contenido del paquete:

- Podadora de césped inalámbrica
- Llave de seguridad
- Bolsa recolectora de césped
- Conducto de descarga lateral
- Enchufe de mantillo (insertado en la abertura de descarga posterior)
- Baterías de iones de litio iON+ de 24 V (x2)
- Cargador de doble puerto de baterías de iones de litio iON+ de 24 V
- Manual y tarjeta de registro

1. Retire cuidadosamente la podadora de césped y compruebe que todos los artículos anteriores estén suministrados.
2. Inspeccione cuidadosamente el producto para asegurarse de que no haya ocurrido ningún daño o ruptura durante el transporte.

NOTA: No se deshaga de la caja de transporte ni de los materiales de embalaje hasta que usted esté listo para usar su podadora de césped inalámbrica. El empaquetado está hecho de materiales reciclables. Deseche estos materiales en conformidad con los reglamentos locales.

¡IMPORTANTE! Este artefacto y sus materiales de embalaje no son juguetes. No permita que los niños jueguen con bolsas plásticas, láminas o partes pequeñas. ¡Estos objetos pueden ser tragados y causar asfixia!

Operación de las baterías

La unidad es alimentada con dos baterías de iones de litio. Las baterías están completamente selladas y no requieren de mantenimiento.

⚠ ¡ADVERTENCIA! La podadora de césped inalámbrica solo podrá funcionar con las dos baterías juntas. Usar una sola batería no dará suficiente alimentación a la herramienta. Asegúrese de usar dos baterías del mismo voltaje y capacidad. Operar la herramienta con baterías de diferentes capacidades provocará daños a las baterías.

⚠ ¡ADVERTENCIA! Antes de su primer uso, las baterías requieren al menos 1 hr 50 min de carga para que estén cargadas por completo. Cuando las baterías estén bajas, recárguelas por 1 hr 50 min nuevamente antes de reiniciar la operación.

Indicadores de nivel de carga de batería

Cada batería tiene un botón para comprobar su nivel de carga. Simplemente presione el botón para leer el nivel de carga de la batería en los LED indicadores de la batería:

- Los tres LED indicadores de nivel están encendidos: el nivel de carga de la batería es elevado.
- Dos LED indicadores de nivel están encendidos: el nivel de carga de la batería está disminuyendo. Deje de trabajar tan pronto como sea posible.
- Un LED indicador de nivel está encendido: La batería está agotada. Deje de trabajar INMEDIATAMENTE y cargue la batería, de otro modo, la vida útil de la batería se reducirá en gran medida.

Luces	Significado
	Botón indicador de nivel de carga.
	La batería está cargada a un 30% y requiere ser cargada de inmediato.
	La batería está cargada a un 60% y requiere ser cargada pronto.
	La batería está cargada por completo.

NOTA: si el botón indicador de nivel de carga no parece funcionar, inserte las baterías dentro del cargador y cargue según se requiera.

NOTA: inmediatamente luego del uso de la batería, el botón indicador de nivel de carga puede mostrar una carga más baja que la que se mostrará algunos minutos después. Las celdas de las baterías “recuperan” parte de su carga luego de permanecer inactivas.

Operación del cargador

⚠ ¡ADVERTENCIA! Cargue las baterías de iones de litio iON+ de 24 V solo con su cargador de baterías de iones de litio compatible iON+ de 24 V. Otros tipos de baterías pueden causar lesiones personales y daños materiales.

Para reducir el riesgo de un choque eléctrico, no permita que entre agua a la conexión CA/CC del cargador.

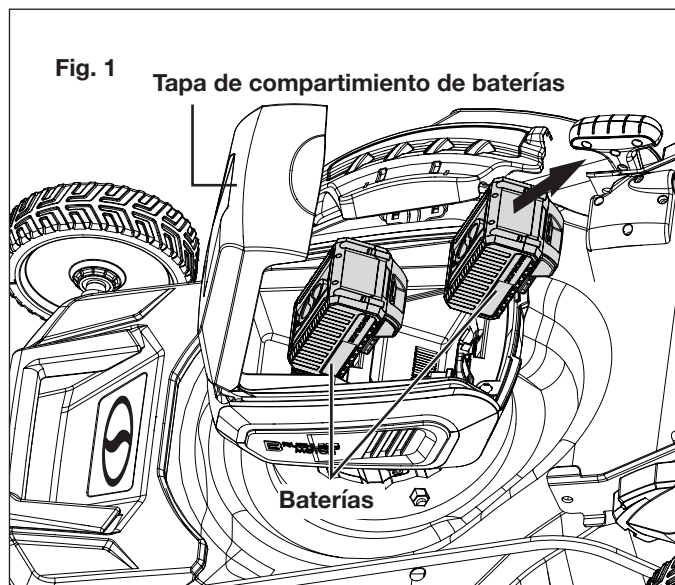
Cuándo cargar las baterías de iones de litio iON+ 24VBAT

NOTA: las baterías de iones de litio iON+ 24VBAT no crean una “memoria” al ser cargadas luego de una descarga parcial. Por tanto, no hay necesidad de agotar las baterías antes de colocarlas en el cargador.

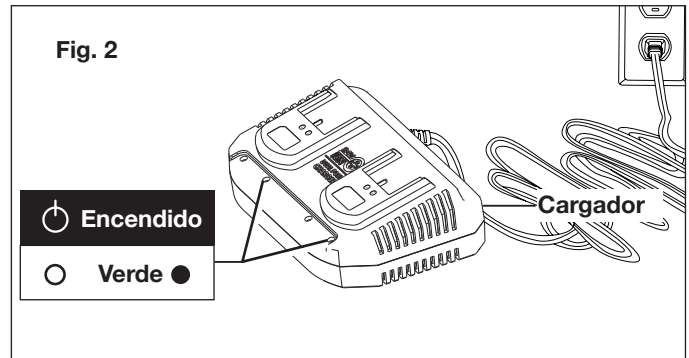
- Use las luces indicadoras de carga de batería para determinar cuándo cargar sus baterías de iones de litio iON+ 24VBAT.
- Usted puede cargar por completo sus baterías antes de empezar un trabajo grande o luego de un uso prolongado.

Carga de las baterías

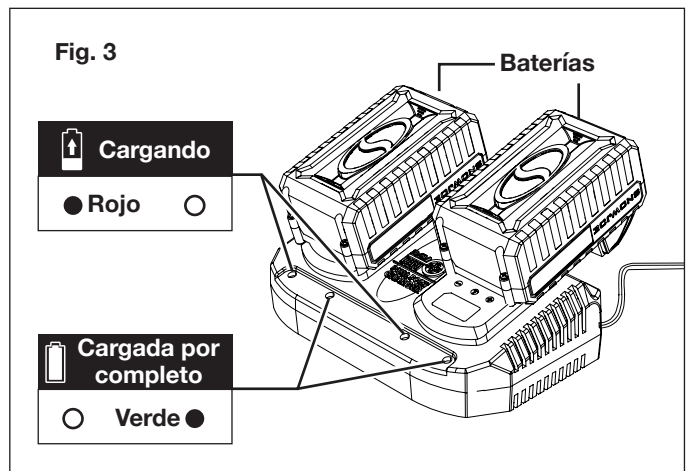
1. Abra la tapa del compartimiento de baterías, y apriete los botones de trabado en las baterías para sacarlas de su compartimiento (Fig. 1).



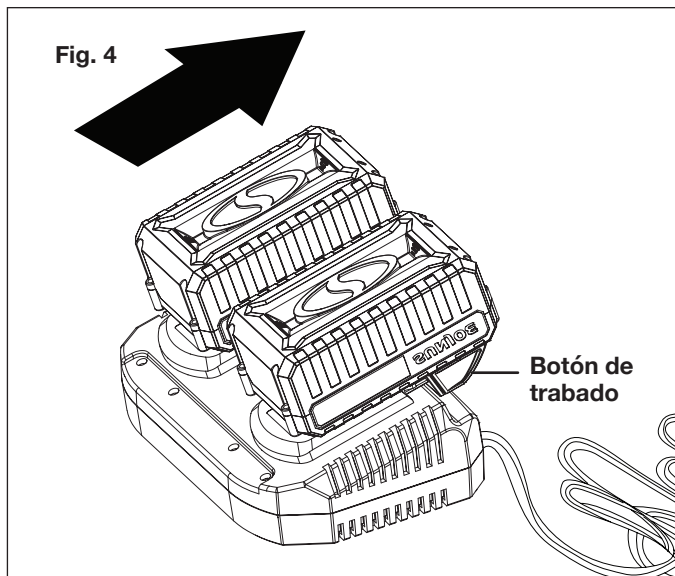
2. Compruebe que el voltaje de la red eléctrica sea el mismo que el indicado en la placa de especificaciones del cargador de baterías. Luego, inserte el enchufe del cargador en el tomacorriente de pared. Cuando enchufe el cargador, dos luces verdes se iluminarán y permanecerán verdes (Fig. 2).



3. Coloque las baterías en el cargador deslizando las para trabarlas en su posición. Cuando usted inserte las baterías en el cargador, las dos luces verdes se apagarán y las luces rojas se encenderán indicando que las baterías se están cargando (Fig. 3).



4. Cuando las luces del cargador se tornen verdes, las baterías estarán totalmente cargadas (Fig. 3).
NOTA: una batería descargada por completo, con una temperatura interna en el rango normal, se cargará por completo dentro de 1 hora y 50 minutos a una temperatura de entre 32°F (0°C) y 113°F (45°C).
5. Si las luces indicadoras no aparecen del todo, verifique que las baterías estén colocadas correctamente en sus ubicaciones. Retire las baterías y reinsértelas. Si el problema persiste, contacte a un concesionario autorizado Snow Joe® + Sun Joe® o comuníquese con la central de servicio al cliente Snow Joe® + Sun Joe® llamando al 1-866-SNOWJOE (1-866-766-9563) para obtener asistencia.
6. Cuando la carga haya finalizado, retire las baterías del cargador presionando los botones de trabado y deslizando las baterías hacia atrás para destrabarlas del cargador (Fig. 4).



⚠ ¡PRECAUCIÓN! PELIGRO DE INCENDIO. Al sacar las baterías del cargador, asegúrese de primero desenchufar el cargador del tomacorriente, y después retirar las baterías del cargador.

⚠ ¡ADVERTENCIA! Este cargador no se apaga de forma automática cuando las baterías están completamente cargadas. No deje las baterías conectadas al cargador. Apague o desenchufe el cargador del tomacorriente cuando la carga haya sido completada.

- Una recarga oportuna de las baterías ayudará a prolongar el ciclo de vida útil de estas. Usted debe recargar las baterías cuando note una caída en la potencia de la máquina.

¡IMPORTANTE! Nunca permita que las baterías se descarguen por completo ya que esto les causará daños irreversibles.

Carga de una batería caliente o fría

Las luces verdes indicadoras en la base del cargador indican que las temperaturas de las baterías están fuera del rango de carga. Una vez que las baterías estén a una temperatura dentro del rango aceptable, se cargarán de forma normal y las luces rojas serán continuas. Las baterías frías o calientes pueden tardar más tiempo en cargarse.

Estado de carga de batería de iones de litio			
Temperatura de la batería	Luces indicadoras en base de cargador	Luces indicadoras de carga de batería	Estado de carga
Demasiado caliente	Verde	Parpadeando juntas	No está cargándose
Rango normal	Roja	Parpadeando una por una	Carga normal
Muy fría	Verde	Parpadeando juntas	No está cargándose

Ensamblado

⚠ ¡ADVERTENCIA! No inserte la batería hasta que el ensamblado haya sido completado. El incumplimiento de esta advertencia puede resultar en un encendido accidental y lesiones personales severas.

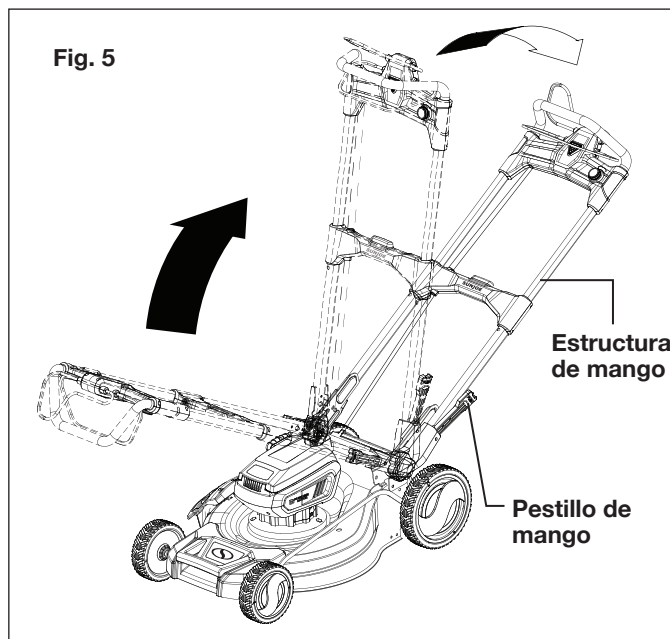
⚠ ¡ADVERTENCIA! Antes de realizar cualquier tarea de mantenimiento, asegúrese de que las baterías y la llave de seguridad hayan sido retiradas de la unidad. No seguir esta advertencia puede causar lesiones personales severas.

⚠ ¡ADVERTENCIA! El producto debe estar completamente ensamblado antes de su operación. No use un producto que esté parcialmente ensamblado, o ensamblado con partes dañadas.

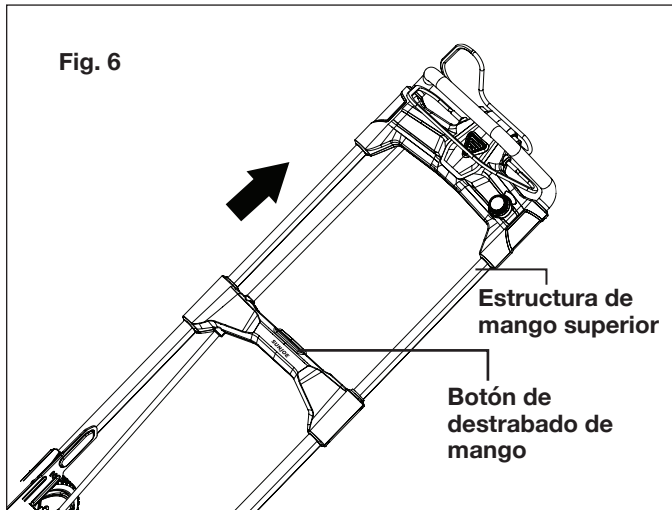
NOTA: antes de usar la podadora siga estas instrucciones para ensamblar el mango y la bolsa para césped.

Ensamblado de mango

- La unidad viene con la estructura de mango plegada en posición de almacenamiento. Para desplegar el mango, presione el pestillo de mango y levante la estructura de mango hasta que esta haga clic en su posición de trabajo (Fig. 5).

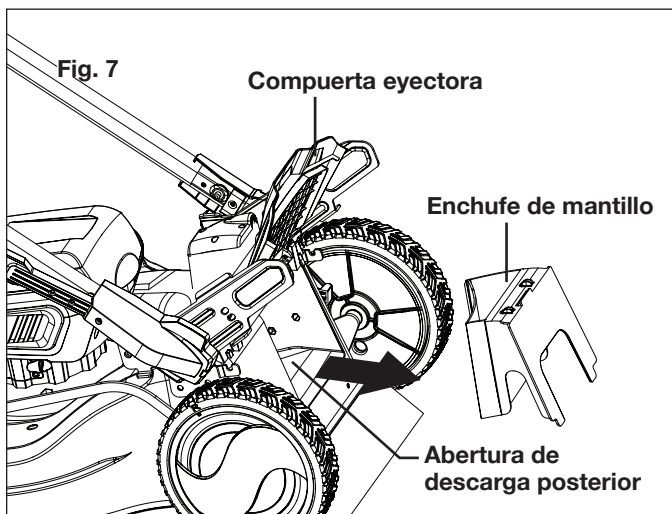


- Presione el botón de destrabado de mango ubicado en la barra intermedia de la estructura de mango mientras jala la estructura de mango superior para extenderla a su máxima longitud (Fig. 6).

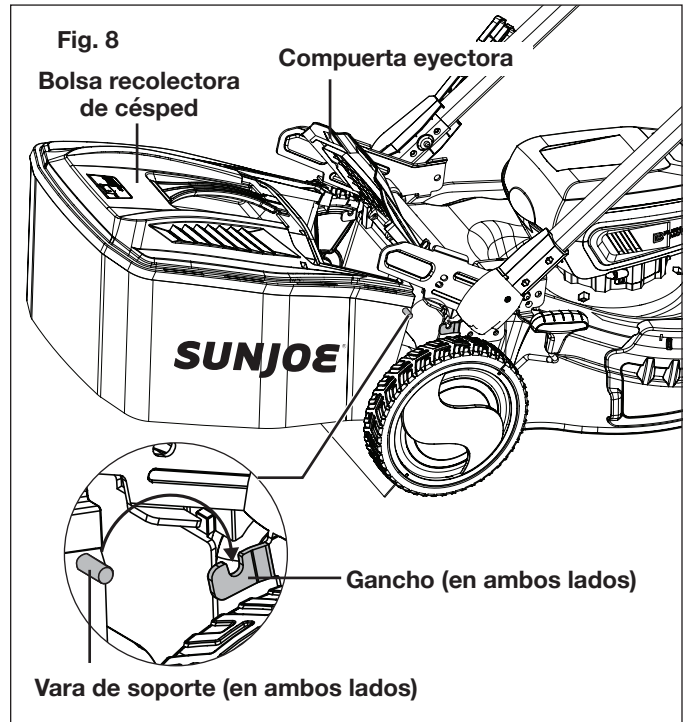


Instalación de bolsa recolectora de césped

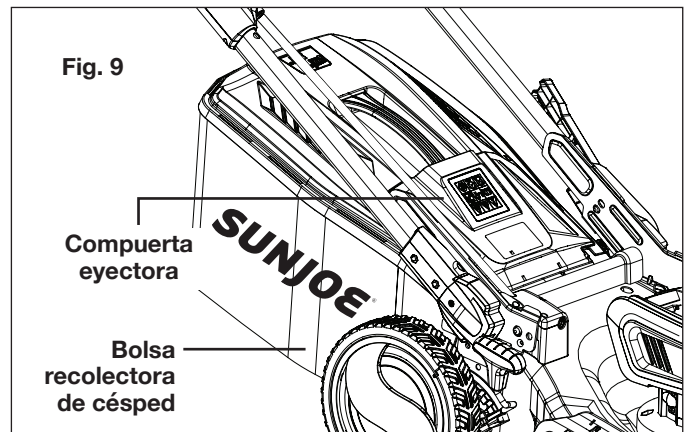
1. Levante la compuerta eyectora y retire el enchufe de mantillo insertado en la abertura de descarga posterior (Fig. 7).



2. Con la compuerta eyectora levantada, sujete la bolsa recolectora de césped por su mango y enganche los extremos de la vara de soporte en los ganchos de ambos lados (Fig. 8).



3. Suelte la compuerta eyectora de manera que descansa sobre la bolsa recolectora de césped (Fig. 9).

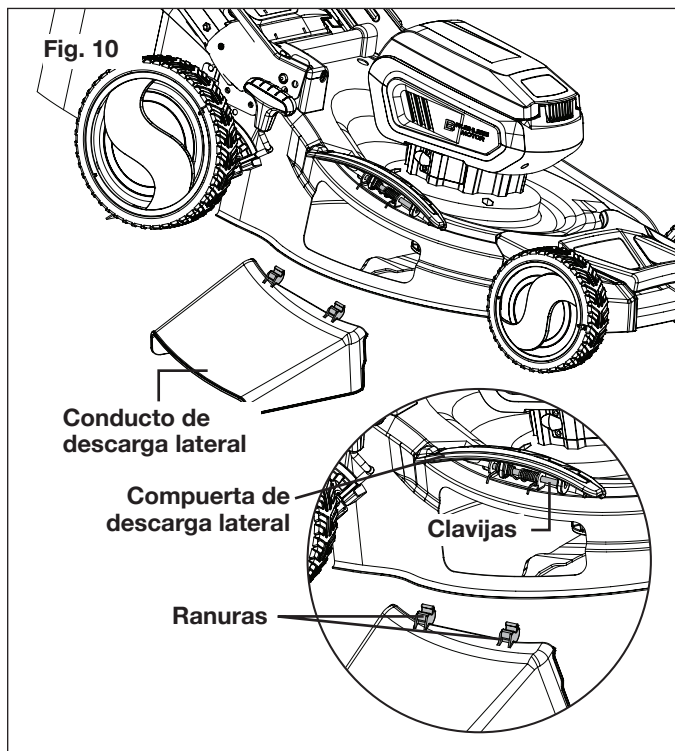


Ensamblado y colocación del conducto de descarga lateral

Use el conducto de descarga lateral de su podadora cuando el césped es demasiado alto para triturar o cuando se prefiera una descarga lateral. Los recortes de césped lanzados por el conducto de descarga lateral son notablemente más grandes que aquellos producidos por el enchufe de mantillo.

NOTA: al usar el conducto de descarga lateral, no ensamble la bolsa recolectora. Inserte el enchufe para mantillo en la abertura de descarga posterior.

1. Levante la compuerta de descarga lateral.
2. Alinee las ranuras en el conducto de descarga lateral con las clavijas en el lado inferior de la compuerta, y enganche las ranuras en las clavijas (Fig. 10).



3. Suelte la compuerta de descarga lateral.

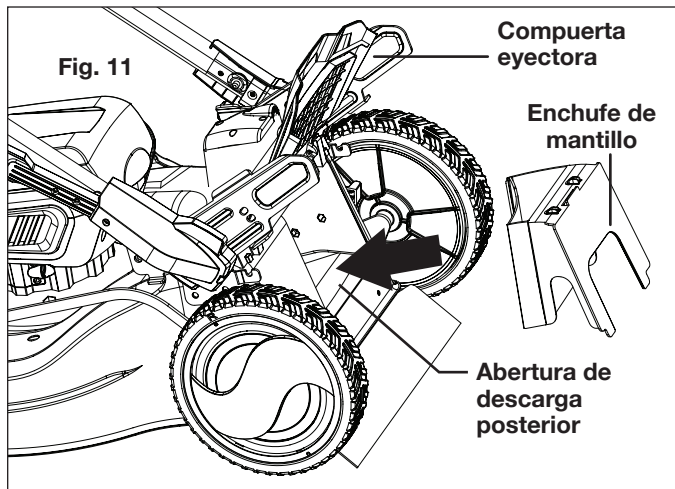
Ensamblado y colocación del enchufe de mantillo

Su podadora está equipada con un enchufe de mantillo para que la cuchilla corte el césped y lo vuelva a cortar en recortes más finos.

NOTA: al usar el enchufe de mantillo, no instale la bolsa recolectora de césped ni el conducto de descarga lateral.

NOTA: cuando la bolsa recolectora de césped no está conectada, el enchufe de mantillo debe ser insertado en la abertura de descarga posterior.

1. Levante la compuerta eyectora.
2. Inserte el enchufe de mantillo por completo en la abertura de descarga posterior y asegúrese de que esté instalado de forma segura (Fig. 11).



3. Suelte la compuerta eyectora.

Operación

Esta podadora de césped está diseñada para el corte de césped en jardines y patios pequeños. Esta podadora de césped no está destinada para cortar césped de parques públicos, campos de juego, granjas o bosques. No use esta podadora en ninguna aplicación distinta a las aplicaciones para la que ha sido diseñada.

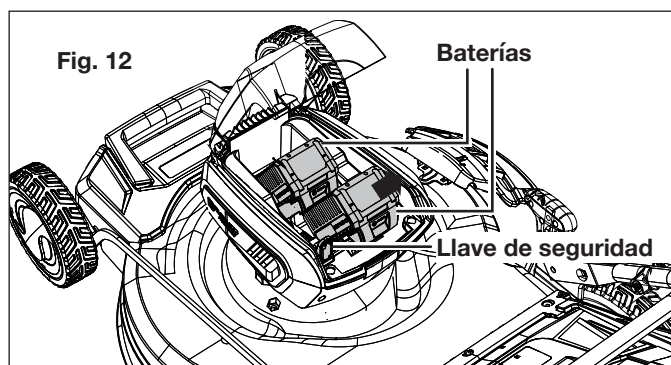
Ajuste de la altura de corte de césped

Esta podadora de césped eléctrica está equipada con una palanca de ajuste de altura de siete posiciones para ajustar las alturas de corte de césped desde 1.2 plg (30 mm) hasta 3.5 plg (90 mm). Para cambiar la altura de corte de césped, siga las instrucciones a continuación.

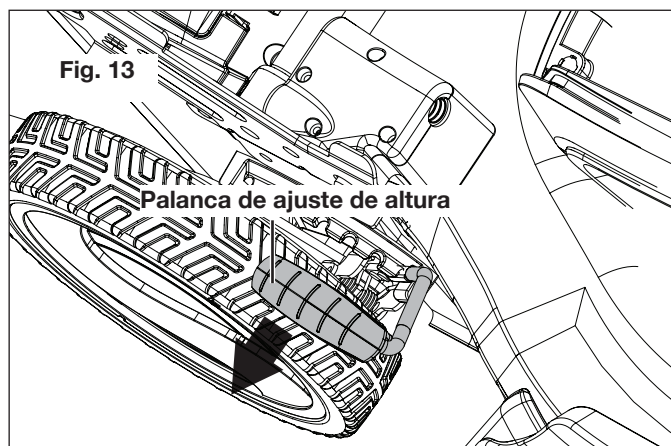
⚠ ¡ADVERTENCIA! Antes de realizar estos ajustes, retire las baterías y la llave de seguridad de la podadora de césped y espere hasta que la cuchilla giratoria se haya detenido por completo.

OBEDIENZA SIEMPRE TODAS LAS PRECAUCIONES Y RECOMENDACIONES DE SEGURIDAD MENCIONADAS PREVIAMENTE EN ESTE MANUAL.

1. Apague la podadora de césped y retire las baterías y la llave de seguridad (Fig. 12).



2. Empuje la palanca de ajuste de altura de corte hacia fuera de la ranura original (Fig. 13).



3. Inserte la palanca en la ranura deseada.

Ajuste de altura de siete posiciones (desde el frente hacia atrás):

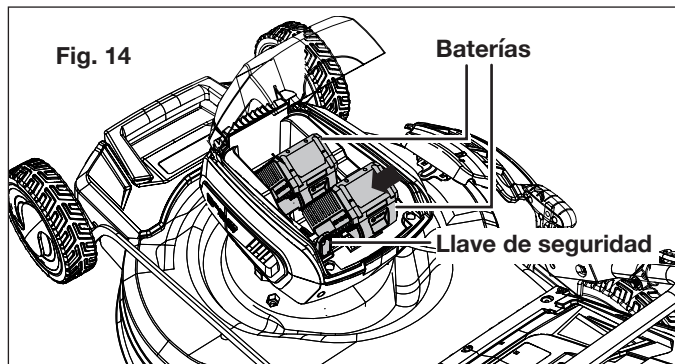
- (1) 1.2 plg (30 mm)
 - (2) 1.6 plg (40 mm)
 - (3) 2.0 plg (50 mm)
 - (4) 2.4 plg (60 mm)
 - (5) 2.8 plg (70 mm)
 - (6) 3.1 plg (80 mm)
 - (7) 3.5 plg (90 mm)
4. Reinserte las baterías y la llave de seguridad en la podadora de césped y reinicie el funcionamiento normal.

Arranque y parada

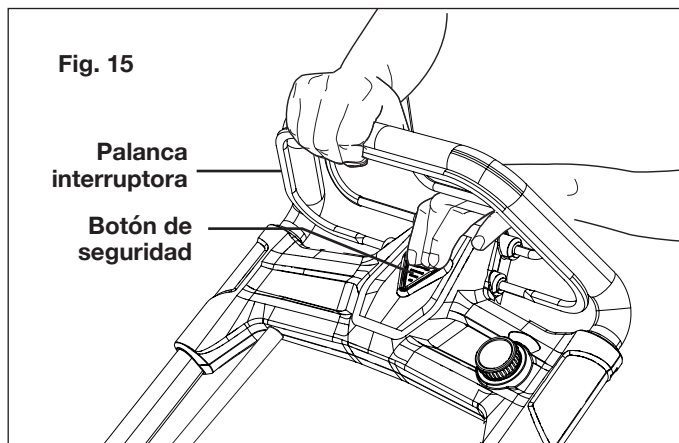
⚠ ¡ADVERTENCIA! Antes de encender la podadora, asegúrese de que no haga contacto con ningún objeto extraño. Mantenga sus manos y pies a una distancia segura de la cuchilla giratoria y de la compuerta eyectora. No obedecer estas advertencias podría causar lesiones personales severas.

IMPORTANTE: no encienda la podadora sobre césped alto.

1. Asegúrese de que la palanca interruptora de la unidad no esté apretada. Inserte las baterías y la llave de seguridad en sus ranuras (Fig. 14). Cierre la tapa del compartimiento de la batería.



2. Para encender la máquina, presione y sujete el botón de trabado de seguridad mientras jala la palanca interruptora hacia usted (Fig. 15).



3. Una vez que la máquina se encienda, suelte el botón de trabado de seguridad y proceda con la operación.
4. Para detener la podadora, suelte la palanca interruptora.

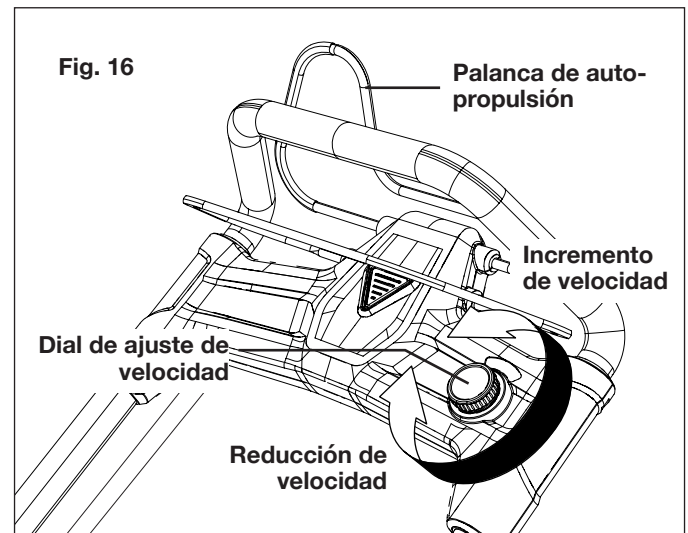
⚠ ¡ADVERTENCIA! La cuchilla podadora continuará girando por un breve periodo luego de que la unidad se haya apagado. No incline ni transporte la unidad mientras el motor esté aún funcionando, ni toque la cuchilla cuando aún esté girando. No obedecer esta advertencia puede causar lesiones personales severas.

Uso del sistema de auto-propulsión

La podadora de césped inalámbrica está equipada con un sistema de auto-propulsión de velocidad variable, el cual es autónomo y puede ser operado sin la rotación de la cuchilla. Por ejemplo, cuando usted haya finalizado el podado de su jardín, puede usar el sistema de auto-propulsión para mover su podadora al lugar de almacenamiento sin que gire la cuchilla. O usted puede elegir operar la podadora como una unidad no autopropulsada para maximizar el tiempo de funcionamiento de la batería.

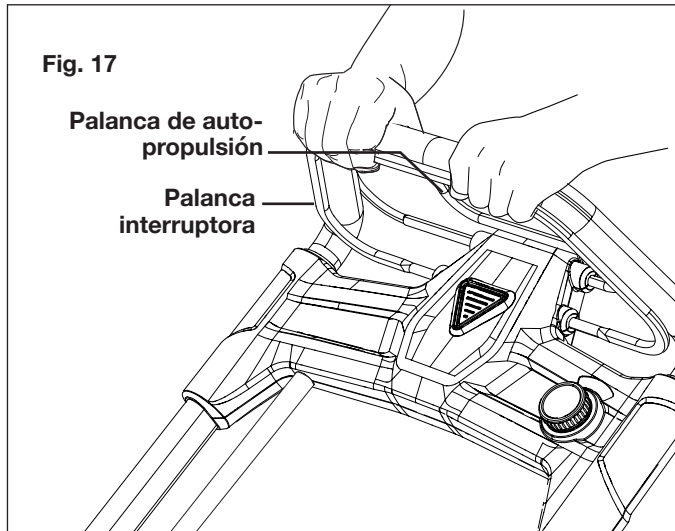
Para operar el sistema de auto-propulsión sin rotación de cuchilla, presione y mantenga presionada la palanca de auto-propulsión contra el mango. Para desactivar el sistema de auto-propulsión, suelte la palanca de auto-propulsión (Fig. 16).

El sistema tiene varias velocidades. Cambie la velocidad girando el dial de ajuste de velocidad tal como se muestra (Fig. 16).



Instrucciones de operación del sistema de auto-propulsión con la cuchilla girando para el corte:

1. Arranque la podadora según lo indicado en los pasos 1, 2 y 3 de la sección arranque y parada.
2. Mientras aprieta con su mano izquierda la palanca interruptora contra el mango, empuje con su mano derecha la palanca de auto-propulsión contra el mango.
3. Proceda a operar con ambas manos sujetando la palanca de auto-propulsión y la palanca interruptora contra la empuñadura suave (Fig. 17).



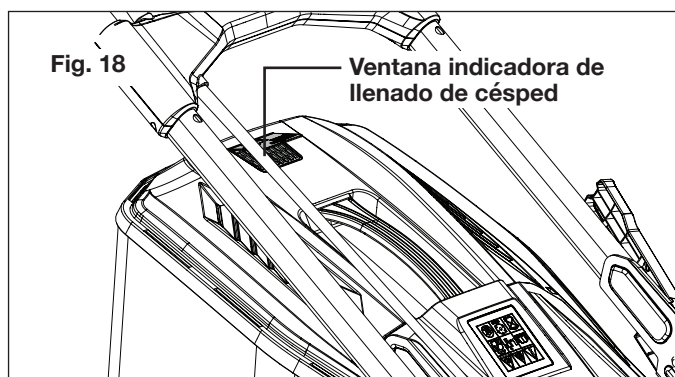
NOTA: cuando el sistema de auto-propulsión se apague, la podadora puede trabarse y no retroceder. De ocurrir esto, simplemente empuje levemente la máquina hacia adelante y luego retroceda la podadora según sea necesario.

Durante la operación, puede ser más fácil podar alrededor de un objeto con el sistema de auto-propulsión apagado.

¡ADVERTENCIA! Para reducir el riesgo de lesiones personales, nunca intente modificar o desactivar la operación del interruptor ni la del sistema de auto-propulsión. Use el sistema de auto-propulsión solo para su propósito previsto.

Indicador de nivel de llenado de bolsa para césped

1. La bolsa para césped está equipada con un indicador de nivel de llenado que se abre por el flujo de aire que la podadora genera durante la operación (Fig. 18).



2. Si la compuerta se cierra durante la poda, esto quiere decir que la bolsa de césped está llena y debe ser vaciada.

NOTA: para asegurarse de que la ventana indicadora de nivel de llenado funcione correctamente, mantenga los orificios debajo de la compuerta limpios y permeables.

Consejos para la poda

¡ADVERTENCIA! Inspeccione el área antes del podado y retire todas las piedras, palos, alambres y otros objetos extraños que puedan ser recogidos y lanzados por la cuchilla giratoria. No hacerlo puede no solo dañar la cuchilla sino también causar severas lesiones personales.

- Asegúrese de inspeccionar periódicamente la cuchilla podadora para ver si hay señales de desgaste, y reemplácela según se necesite, siguiendo las instrucciones de la sección de mantenimiento.
- NOTA:** una cuchilla afilada mejorará de manera significativa el rendimiento de la podadora, especialmente al cortar hojas altas de césped.
- Al cortar césped grueso, reduzca su velocidad de caminata para permitir un corte más efectivo y una descarga apropiada del césped cortado. Para un césped saludable, corte siempre $\frac{1}{3}$ o menos de la altura del césped. El césped en promedio deberá tener de 1.5 plg (3.8 cm) a 2 plg (5 cm) de alto durante los meses fríos, y más de 2 plg (5 cm) de alto durante los meses calurosos. Si hay crecimiento, el césped deberá ser cortado en el otoño.
- El césped se verá mejor si es siempre cortado a la misma altura y en direcciones alternas.
- Al cruzar cualquier superficie con grava, suelte la palanca interruptora para apagar la podadora. Las piedras pueden ser recogidas y lanzadas por la cuchilla giratoria.
- Ajuste la podadora a su mayor altura de corte al podar en terreno disperejo o con maleza.

¡ADVERTENCIA! Si la máquina golpea un objeto extraño, detenga el motor y retire las baterías. Inspeccione minuciosamente la podadora y, de encontrar daños, repárela antes de volver a trabajar.

- **¡IMPORTANTE!** Nunca abra la compuerta eyectora cuando la bolsa haya sido retirada (para ser vaciada) y el motor aún esté funcionando. ¡Una cuchilla giratoria puede causar severas lesiones personales!
- Siempre ajuste cuidadosamente la compuerta eyectora y la bolsa recolectora de césped. Apague el motor antes de vaciar la bolsa recolectora de césped. Cerciórese de que siempre se mantenga una distancia segura (proporcionada por la longitud de los mangos largos) entre el usuario y la carcasa de la podadora. Tenga especial cuidado al podar y cambiar de dirección en pendientes.
- Mantenga con sus pies una posición firme y use calzado resistente y antideslizante, y pantalones largos. Siempre pade a lo largo de una pendiente (no hacia arriba y abajo).
- Por motivos de seguridad, la podadora no puede ser usada para podar pendientes cuyas gradientes excedan 15°.
- Tenga especial cuidado al retroceder y jalar la podadora

hacia usted, ya que dicha maniobra puede hacerle tropezar.

- Para crear eficientemente un mantillo, no corte césped mojado ya que tiende a pegarse en el lado inferior de la plataforma de corte, evitando la trituración apropiada del césped cortado. El mejor momento para podar césped es hacia las últimas horas de la tarde, cuando el césped está seco y el área recién cortada no está expuesta a la luz directa del sol.
- Para el mejor triturado posible, establezca la altura de corte para retirar aproximadamente $\frac{1}{3}$ de la altura de césped, idealmente no más de 1.5 plg por vez. Si el césped ha crecido demasiado, puede ser necesario incrementar la altura de corte para hacer más fácil la poda y evitar la sobrecarga del motor. Reduzca su velocidad de corte en áreas con césped alto o grueso. Para triturar césped extremadamente alto o grueso, se recomienda primero cortar a una altura elevada de corte, y luego volver a cortar en la altura de corte final. De otro modo, haga cortes más estrechos y pade más lentamente. **ASEGÚRESE SIEMPRE DE QUE LA CUCHILLA ESTÉ AFILADA.**

Cuidado y mantenimiento

⚠ ¡ADVERTENCIA! Antes de limpiar, reparar o inspeccionar la podadora, deténgala y quítele las baterías y la llave de seguridad. Compruebe que todas las partes móviles se hayan detenido por completo.

General

- Mantenga siempre la podadora limpia y libre de césped, tierra y otros residuos.
- Mantenga los mangos secos, limpios y sin aceite ni grasa.
- Luego de cada sesión de podado, retire los recortes de césped y residuos acumulados usando un paño seco o cepillo de mano. Usted puede también limpiar el equipo con un paño mojado y algo de detergente suave y no abrasivo. No use agentes de limpieza o solventes agresivos ya que pueden dañar los componentes plásticos en el equipo. Asegúrese de que no entre agua al interior del equipo, ya que el agua puede destruir el mecanismo interruptor, así como el motor eléctrico.
- No limpie la podadora de césped con agua corriente, particularmente con agua a alta presión.
- Compruebe que todas las tuercas, pernos y tornillos estén ajustados apropiadamente antes de cada uso.
- Inspeccione frecuentemente el ensamblado de la bolsa recolectora de césped para ver si hay señales de desgaste, y reemplace inmediatamente con una parte genuina si se encuentran daños.
- Reemplace inmediatamente las partes gastadas en exceso o dañadas.
- Para maximizar la vida útil de su podadora, todas las partes atornilladas, incluyendo ruedas y ejes, deben ser limpiadas y lubricadas. No hay partes dentro del equipo que requieran mantenimiento o lubricación adicional.

Mantenimiento de la cuchilla

IMPORTANTE: la cuchilla podadora es afilada y puede causar severas lesiones personales si es manipulada incorrectamente. Envuelva la cuchilla o use guantes, y tenga especial cuidado al manipularla.

La cuchilla de acero está diseñada para proporcionar un corte fino en césped alto o difícil. El deterioro en la calidad de corte indica desgaste o daño de la cuchilla. Siga estos pasos para determinar si la cuchilla necesita ser reafileada o reemplazada:

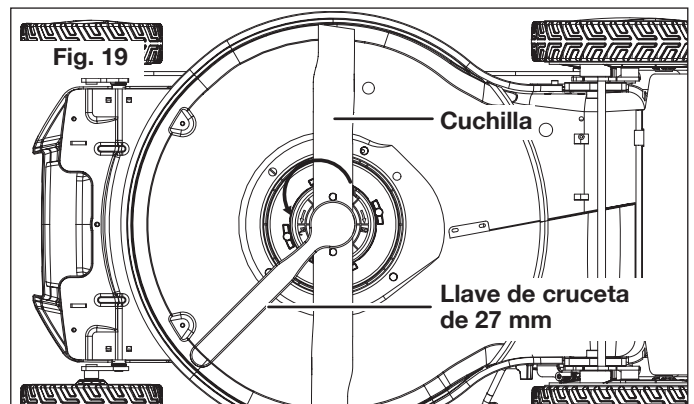
1. Desconecte la podadora de su fuente de alimentación mediante el retiro de las baterías y de la llave de seguridad.
2. Voltee la podadora sobre uno de sus lados para exponer la parte inferior del alojamiento de la cuchilla.
3. Inspeccione la cuchilla.
 - a. Si la cuchilla está desafilada o tiene algo de desgaste, reafilela.
 - b. Si la cuchilla muestra señales de desgaste severo o daños (es decir, está abollada o doblada), reemplácela.

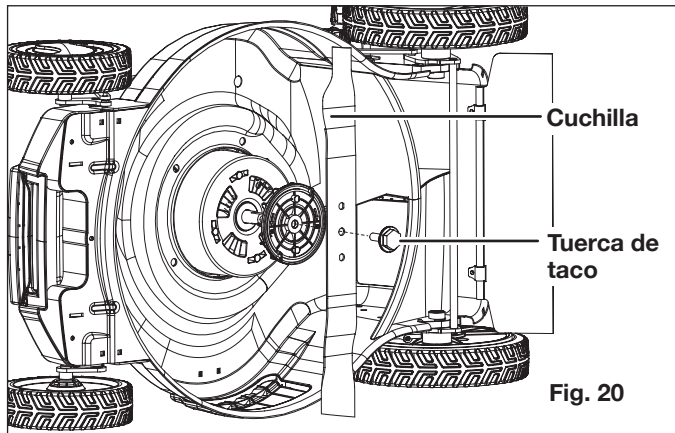
⚠ ¡ADVERTENCIA! Una podadora que vibre en exceso indica que la cuchilla no está balanceada adecuadamente o se ha deformado debido a que golpeó un objeto. En este caso, la cuchilla deberá ser reparada o reemplazada. Siga los procedimientos adecuados de mantenimiento para el cuidado de la cuchilla.

Reemplazo de cuchilla

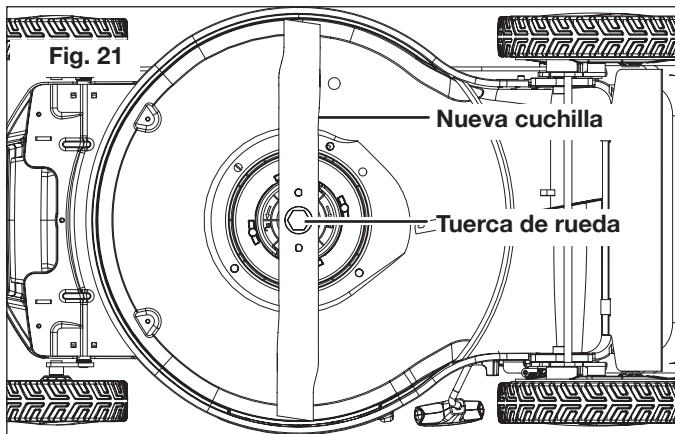
IMPORTANTE: use solo partes de repuesto originales especificadas para esta podadora. El uso de partes que no cumplan con las especificaciones del equipo original puede provocar un funcionamiento incorrecto de la podadora de césped y comprometer la seguridad del operador.

1. Retire las baterías y la llave de seguridad de la podadora de césped.
2. Voltee la podadora sobre uno de sus lados para exponer la parte inferior del alojamiento de la cuchilla.
3. Use un paño para sujetar la cuchilla, o use guantes de alta resistencia.
4. Usando una llave de cruceta de 27 mm (no incluida), retire la tuerca de taco que asegura la cuchilla girándola en sentido antihorario, y luego retire cuidadosamente la cuchilla (Figs. 19 y 20).





- Coloque la nueva cuchilla en la misma posición, y asegúrela con la tuerca de taco original (Fig. 21).

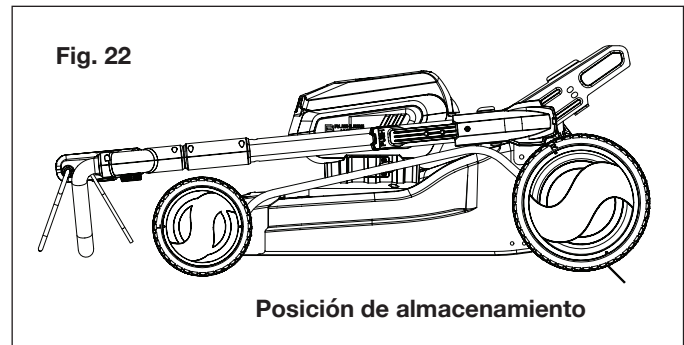


Almacenamiento

Siga los pasos a continuación con el fin de preparar la podadora de césped para su almacenamiento:

- Retire las baterías y la llave de seguridad del compartimiento de baterías.
- Retire la bolsa recolectora de césped. Coloque la palanca de ajuste de altura en la ranura más baja de altura de corte.
- Limpie la podadora con un paño mojado o cepillo de mano.
- Inspeccione la podadora de césped cuidadosamente para detectar partes gastadas, sueltas o dañadas. Verifique las conexiones y tornillos, y ajústelos de ser necesario. Preste especial atención a la cuchilla podadora y reemplácela o reafilela si presenta señales de desgaste. Consulte la sección de mantenimiento y cuidado.
- Guarde la podadora en interiores y en un área seca, limpia y fría lejos del alcance de los niños. No guarde la unidad cerca de materiales corrosivos tales como fertilizantes y sal de roca.
- No cubra la podadora de césped con una cubierta sólida de plástico. Las cubiertas de plástico atrapan humedad alrededor de la podadora. Dicha humedad puede dañar la unidad.

- Presione el botón de destrabado de mango ubicado en la barra intermedia de la estructura de mango mientras empuja la estructura de mango superior para insertarla en la estructura de mango inferior.
- Presione y no suelte el pestillo de mango. Gire delicadamente la estructura de mango hacia el frente de la podadora hasta que usted oiga y sienta que la estructura de mango se traba en la posición de almacenamiento (Fig. 22).



Eliminación

Reciclaje y eliminación

El producto viene en un empaquetado que lo protege contra daños durante el transporte. Conserve el empaquetado hasta que usted esté seguro de que todas las partes hayan venido en este y que el producto esté funcionando adecuadamente. Luego, recicle el empaquetado o consérvelo para un almacenamiento a largo plazo.



Símbolo WEEE. Los productos eléctricos no deben ser desechados en la basura doméstica. Recíclelos donde hayan instalaciones adecuadas. Consulte con las autoridades locales o tienda local para saber sobre las normas de reciclaje.

Precaución y eliminación de la batería

Deshágase de sus baterías de acuerdo con los reglamentos federales, estatales y locales. Para encontrar lugares de reciclaje, comuníquese con un servicio de reciclaje en su localidad.



¡PRECAUCIÓN! Incluso las baterías descargadas contienen algo de energía. Antes de deshacerse de estas, use cinta aislante para cubrir los terminales y evitar que la batería haga cortocircuito, lo cual puede causar una explosión o incendio.



¡ADVERTENCIA! Para reducir el riesgo de lesiones personales o explosión, nunca queme ni incinere una batería incluso si está dañada, inservible o completamente descargada. Al ser quemada, los humos y materiales tóxicos son lanzados a la atmósfera circundante.

- Las baterías varían de acuerdo al dispositivo. Consulte su manual para obtener la información específica.

2. Instale solo nuevas baterías del mismo tipo en su producto (donde corresponda).
3. No insertar las baterías con la polaridad correcta, tal como se indica en el compartimiento de la batería o en el manual, puede reducir el ciclo de vida útil de las baterías o causar fugas en estas.
4. No combine baterías nuevas con antiguas.
5. No combine baterías alcalinas, estándar (de zinc-carbono) o recargables (de níquel-cadmio, de níquel-hidruro metálico o de iones de litio).
6. No arroje las baterías al fuego.
7. Las baterías deben ser recicladas o desechadas según los reglamentos locales y estatales.

Servicio y soporte

Si su podadora de césped inalámbrica 24V-X2-21LMSP de Sun Joe® requiere servicio o mantenimiento, llame al 1-866-SNOWJOE (1-866-766-9563) para obtener ayuda.

Modelo y número de serie

Al contactar a la empresa o al ordenar partes de repuesto, usted necesitará proveer el modelo y el número de serie de su producto. Estos se encuentran en la etiqueta pegada a la carcasa o mango de su podadora. Copie estos números en el espacio proporcionado a continuación.

Registre los siguientes números que se encuentran en la carcasa o mango de su nuevo producto:																					
Modelo:																					
<table style="width: 100%; border-collapse: collapse;"> <tr> <td style="border: 1px solid black; width: 10%; text-align: center;">2</td> <td style="border: 1px solid black; width: 10%; text-align: center;">4</td> <td style="border: 1px solid black; width: 10%; text-align: center;">V</td> <td style="border: 1px solid black; width: 10%; text-align: center;">-</td> <td style="border: 1px solid black; width: 10%; text-align: center;">X</td> <td style="border: 1px solid black; width: 10%; text-align: center;">2</td> <td style="border: 1px solid black; width: 10%; text-align: center;">-</td> <td style="border: 1px solid black; width: 10%; text-align: center;">2</td> <td style="border: 1px solid black; width: 10%; text-align: center;">1</td> <td style="border: 1px solid black; width: 10%; text-align: center;">L</td> <td style="border: 1px solid black; width: 10%; text-align: center;">M</td> <td style="border: 1px solid black; width: 10%; text-align: center;">S</td> <td style="border: 1px solid black; width: 10%; text-align: center;">P</td> <td style="border: 1px solid black; width: 10%;"></td> <td style="border: 1px solid black; width: 10%;"></td> <td style="border: 1px solid black; width: 10%;"></td> <td style="border: 1px solid black; width: 10%;"></td> <td style="border: 1px solid black; width: 10%;"></td> <td style="border: 1px solid black; width: 10%;"></td> <td style="border: 1px solid black; width: 10%;"></td> </tr> </table>	2	4	V	-	X	2	-	2	1	L	M	S	P								
2	4	V	-	X	2	-	2	1	L	M	S	P									
N° de serie:																					
<table style="width: 100%; border-collapse: collapse;"> <tr> <td style="border: 1px solid black; width: 10%;"></td> <td style="border: 1px solid black; width: 10%;"></td> <td style="border: 1px solid black; width: 10%;"></td> <td style="border: 1px solid black; width: 10%;"></td> <td style="border: 1px solid black; width: 10%;"></td> <td style="border: 1px solid black; width: 10%;"></td> <td style="border: 1px solid black; width: 10%;"></td> <td style="border: 1px solid black; width: 10%;"></td> <td style="border: 1px solid black; width: 10%;"></td> <td style="border: 1px solid black; width: 10%;"></td> <td style="border: 1px solid black; width: 10%;"></td> <td style="border: 1px solid black; width: 10%;"></td> <td style="border: 1px solid black; width: 10%;"></td> <td style="border: 1px solid black; width: 10%;"></td> <td style="border: 1px solid black; width: 10%;"></td> <td style="border: 1px solid black; width: 10%;"></td> <td style="border: 1px solid black; width: 10%;"></td> <td style="border: 1px solid black; width: 10%;"></td> <td style="border: 1px solid black; width: 10%;"></td> <td style="border: 1px solid black; width: 10%;"></td> </tr> </table>																					

24VCHRG-DPC-2

Federal Communications Commission (Comisión Federal de Comunicaciones o FCC):

⚠ ¡ADVERTENCIA! Cualquier cambio o modificación a esta unidad no aprobados expresamente por la parte responsable del cumplimiento pueden hacer que el usuario pierda el derecho de utilizar el equipo.

Dispositivo Clase B:

NOTA: este equipo ha sido probado y cumple con los límites de la Clase B de dispositivos digitales, de acuerdo con la Parte 15 de las normas de la FCC.

Estos límites están diseñados para proporcionar protección razonable contra interferencias dañinas en una instalación residencial.

Este equipo genera, usa y puede irradiar energía de radiofrecuencia y, si no se instala y utiliza de acuerdo con las instrucciones, puede provocar interferencias perjudiciales en las comunicaciones radiofónicas.

No obstante, no hay garantía alguna de que no se produzcan interferencias en una instalación concreta.

Si este equipo llegara a causar una interferencia perjudicial para la recepción de radio o televisión (la cual se puede determinar apagando y encendiendo el equipo), se recomienda que el usuario trate de corregir la interferencia tomando una o más de las siguientes medidas:

- Reorientar o reubicar la antena receptora.
- Aumentar la distancia entre el equipo y el receptor.
- Conectar el equipo a un tomacorriente correspondiente a un circuito diferente de aquel al que está conectado el receptor.
- Consultar con un comerciante o con un técnico experimentado de radio y televisión.

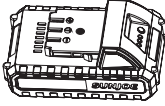
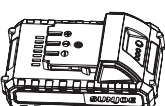


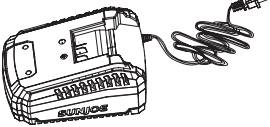
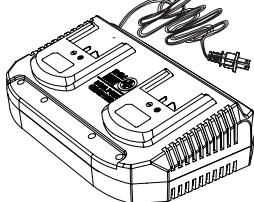

Solución de problemas

- Retire las baterías y la llave de seguridad antes de llevar a cabo tareas de mantenimiento en la máquina o verificar que sus partes estén funcionando correctamente.
- Para evitar complicaciones innecesarias, consulte la siguiente tabla antes de ponerse en contacto con un técnico calificado debido a cualquier problema mecánico.

Falla	Causa posible	Solución
La podadora no enciende.	<ul style="list-style-type: none"> a) La llave de seguridad no está insertada. b) Las baterías están bajas. c) Las baterías no están insertadas de forma segura. d) El control del motor/cuchilla está desactivado. e) La plataforma de podado está obstruida con césped o residuos. f) El césped es demasiado alto. 	<ul style="list-style-type: none"> a) Inserte la llave de seguridad. b) Cargue las baterías. c) Conecte las baterías a la podadora. Presione las baterías hasta que oiga un "clic". d) Presione primero el botón de trabado de seguridad, y luego la palanca interruptora. e) Limpie la plataforma de podado. Asegúrese de que la cuchilla se mueva libremente. f) Ajuste la podadora a una altura mayor de corte. Levante levemente las ruedas frontales empujando hacia abajo la empuñadura.
La podadora se detiene mientras poda.	<ul style="list-style-type: none"> a) Las baterías están bajas. b) El césped es demasiado alto. c) La plataforma de podado está obstruida con césped o residuos. d) Las baterías o el circuito interno de la podadora están demasiado calientes. 	<ul style="list-style-type: none"> a) Cargue las baterías. b) Restablezca la altura de corte. c) Limpie la plataforma de podado. Asegúrese de que la cuchilla se mueva libremente. d) Deje que las baterías y la máquina se enfríen.
La podadora no puede cortar césped de forma pareja.	<ul style="list-style-type: none"> a) El césped está grueso o disperejo. b) La cuchilla no está lo suficientemente afilada. 	<ul style="list-style-type: none"> a) Ajuste la altura de corte. b) Afile o reemplace la cuchilla.
La podadora no puede triturar adecuadamente.	<ul style="list-style-type: none"> a) La plataforma de podado está obstruida con césped o residuos. b) El césped está demasiado mojado. c) El césped es demasiado alto. d) La cuchilla no está lo suficientemente afilada. 	<ul style="list-style-type: none"> a) Limpie la plataforma de podado. Asegúrese de que la cuchilla se mueva libremente. b) Espere a que el césped se seque. c) Ajuste la altura de corte a la posición más alta para podar por primera vez, y vuelva a podar a la altura deseada. d) Afile o reemplace la cuchilla.
La podadora es difícil de empujar.	<ul style="list-style-type: none"> a) El césped es demasiado alto para ser cortado. b) La cuchilla o la parte trasera de la podadora arrastran césped acumulado. 	<ul style="list-style-type: none"> a) Aumente la altura de corte.
La podadora vibra a altas velocidades.	<ul style="list-style-type: none"> a) El eje del motor está doblado. b) La cuchilla está desbalanceada. c) La tuerca de taco de la cuchilla está suelta. 	<ul style="list-style-type: none"> a) Detenga el motor, retire las baterías, e inspeccione los daños. Comuníquese con un técnico calificado. b) Balancee la cuchilla afilando cada borde de corte equitativamente, o reemplácela con una nueva. c) Apriete la tuerca de taco de la cuchilla.

Accesorios opcionales

⚠ ¡ADVERTENCIA! USE SIEMPRE solo partes de repuesto y accesorios Snow Joe® + Sun Joe®. Nunca use partes de repuesto o accesorios que no estén destinados para su uso con esta herramienta. Comuníquese con Snow Joe® + Sun Joe® si tiene dudas sobre si es seguro usar una parte de repuesto o accesorio en particular con su herramienta. El uso de cualquier otro accesorio o parte puede ser peligroso y causar lesiones personales o daños mecánicos.

Accesorio	Descripción	Modelo
	Batería de iones de litio iON+ de 24 V y 2.0 Ah	24VBAT-LTE
	Batería de iones de litio iON+ de 24 V y 2.5 Ah	24VBAT-LT
	Batería de iones de litio iON+ de 24 V y 4.0 Ah	24VBAT
	Batería de iones de litio iON+ de 24 V y 5.0 Ah	24VBAT-XR
	Cargador rápido de batería de iones de litio iON+ de 24V	24VCHRG-QC
	Cargador de doble puerto para baterías de iones de litio iON+ de 24 V	24VCHRG-DPC
	Cuchilla de repuesto	iON100V-21LM-BLD

NOTA: los accesorios están sujetos a cambios sin obligación alguna por parte de Snow Joe® + Sun Joe® de notificar sobre dichos cambios. Los accesorios pueden ser pedidos en línea en sunjoe.com o vía telefónica llamando a la central de servicio al cliente Snow Joe® + Sun Joe® al 1-866-SNOWJOE (1-866-766-9563).



LA PROMESA DE SNOW JOE® + SUN JOE® AL CLIENTE

POR SOBRE TODO, en Snow Joe, LLC (“Snow Joe”) estamos dedicados a usted, nuestro cliente. Nos esforzamos por hacer que su experiencia sea lo más placentera posible. Desafortunadamente, hay veces en que un producto Snow Joe®, Sun Joe®, o Aqua Joe® (el “Producto”) no funciona o sufre un desperfecto bajo condiciones normales de operación. Creemos que es importante que usted sepa que puede confiar en nosotros. Es por eso que tenemos esta Garantía Limitada (la “Garantía”) para nuestros Productos.

NUESTRA GARANTÍA:

Snow Joe garantiza que sus Productos motorizados y no motorizados, nuevos y genuinos, están libres de defectos materiales o de mano de obra al ser usados en tareas domésticas normales durante un periodo de dos (2) años a partir de la fecha de compra por parte del comprador original y usuario final, cuando este último los compra a través de Snow Joe o un vendedor autorizado por Snow Joe y ha obtenido un comprobante de compra. Ya que Snow Joe no puede controlar la calidad de sus Productos vendidos por vendedores no autorizados, a menos que la ley lo prohíba esta Garantía no cubre Productos adquiridos a través de vendedores no autorizados. Si su Producto no funciona, o hay un problema con una parte específica que está cubierta por los términos de esta Garantía, Snow Joe elegirá entre: (1) enviarle una parte de repuesto gratuita; (2) reemplazar el Producto con uno nuevo o similar sin costo alguno; o (3) reparar el Producto. ¡Un excelente soporte!

Esta Garantía le da derechos legales específicos, y usted puede también tener otros derechos según el Estado.

REGISTRO DEL PRODUCTO:

Snow Joe le recomienda enfáticamente registrar su Producto. Usted puede registrar su Producto en línea visitando snowjoe.com/register, imprimiendo y enviando por correo una tarjeta de registro disponible en línea en nuestro sitio Web, llamando a nuestra central de servicio al cliente al **1-866-SNOWJOE (1-866-766-9563)**, o enviándonos un e-mail a help@snowjoe.com. Si usted no registra su Producto sus derechos de garantía no disminuirán; sin embargo, registrar su Producto permitirá que Snow Joe le pueda atender mejor si usted tiene alguna necesidad como cliente.

¿QUIÉN PUEDE SOLICITAR COBERTURA DE GARANTÍA LIMITADA?

Esta Garantía es otorgada por Snow Joe al comprador original y propietario original del Producto.

¿QUÉ NO ESTÁ CUBIERTO?

Esta Garantía no se aplica si el Producto ha sido usado de forma comercial o en aplicaciones no domésticas o de alquiler. Esta Garantía tampoco se aplica si el Producto fue adquirido desde un vendedor no autorizado. Esta garantía tampoco cubre cambios cosméticos que no afecten el funcionamiento del Producto. Las partes desgastables como correas, brocas y cuchillas no están cubiertas por esta Garantía, y pueden ser compradas visitando snowjoe.com o llamando al **1-866-SNOWJOE (1-866-766-9563)**.



TONDEUSE À GAZON SANS CORDON

48 V MAX.* | 4,0 Ah | 53,3 cm

MANUEL D'UTILISATION

Une division de Snow Joe®, LLC

Modèle 24V-X2-21LMSP

Formulaire n° SJ-24V-X2-21LMSP-880F-MR1

IMPORTANT!

Consignes de sécurité

Tous les utilisateurs doivent lire ces instructions avant d'utiliser la machine

Suivez toujours ces consignes de sécurité. Ne pas s'y conformer peut entraîner de graves blessures pouvant même être fatales.

AVERTISSEMENTS d'ordre général en matière de sécurité!

Lorsque vous utilisez cette tondeuse à gazon sans cordon, les précautions de sécurité de base doivent toujours être suivies pour réduire le risque d'incendie, de secousse électrique ou de dommages corporels. Ces précautions sont les suivantes :

⚠️ AVERTISSEMENT! Ne pas utiliser la machine sans que le sac à herbe complet, le déflecteur de protection d'éjection, le protecteur arrière ou d'autres dispositifs de protection et de sécurité soient en place et en bon ordre de marche.

⚠️ AVERTISSEMENT! L'utilisation de tout autre accessoire ou pièce attachée pourrait augmenter le risque de dommages corporels.

⚠️ AVERTISSEMENT! Pour réduire le risque de dommages corporels, inspecter fréquemment l'ensemble sac à herbe et le remplacer par une pièce de rechange recommandée s'il présente des signes d'usure ou de détérioration.

Avant d'utiliser la tondeuse, prenez le temps de vous familiariser avec les commandes, surtout la façon d'arrêter la tondeuse en cas d'urgence. Les seules personnes qui devraient utiliser la tondeuse sont celles qui comprennent parfaitement les instructions et qui savent comment utiliser la machine. Les enfants ne devraient jamais être autorisés à avoir accès à la tondeuse.

Conservez ce manuel pour le consulter éventuellement dans le futur et relisez-le au début de chaque saison de tonte de pelouses.

⚠️ AVERTISSEMENT! Tout contact avec des pièces mobiles peut être cause d'un happement, de mutilation ou d'autres blessures graves. Toujours maintenir les parties du corps (c.-à-d., les mains, les pieds) à bonne distance des pièces mobiles. Avant utilisation de la machine, s'assurer que tous les éléments couvrants et dispositifs de protection sont bien en place.

Les surfaces chaudes (c.-à-d., le moteur) peuvent enflammer des éléments inflammables ou combustibles et déclencher un incendie ou une explosion, ce qui peut être à l'origine de graves dommages corporels. Maintenir la tondeuse à bonne distance des éléments inflammables ou combustibles tant que les surfaces qui sont chaudes n'ont pas complètement refroidi. Ne pas remiser la tondeuse à proximité d'éléments inflammables ou combustibles.

Une lame endommagée ou un écrou de lame usé peut briser l'ensemble tondeuse et entraîner de graves dommages corporels. Remplacer la lame ou l'écrou de lame endommagé avant d'utiliser la tondeuse.

- 1. Éviter les situations dangereuses** – N'utilisez pas la tondeuse sous la pluie ou lorsque l'herbe est trempée ou humide.
- 2. Maintenir à l'écart les enfants, les spectateurs et les animaux familiers** – Tenez toujours les enfants et les spectateurs à bonne distance de la tondeuse pendant son utilisation et le refroidissement du moteur.
- 3. S'habiller en conséquence** – Lorsque vous utilisez la tondeuse, portez toujours un équipement de protection individuelle (c.-à-d., des lunettes, des gants en caoutchouc, des chaussures de protection et un masque antipoussières) et des vêtements appropriés lorsque vous utilisez la tondeuse. Les vêtements amples, les cheveux longs ou les bijoux peuvent se prendre dans les pièces mobiles.
- 4. Utiliser la machine appropriée** – N'utilisez pas la tondeuse à gazon pour un travail autre que celui auquel elle est destinée.
- 5. Ne pas forcer la tondeuse à gazon** – Elle fonctionnera mieux, sera moins dangereuse et moins susceptible de tomber en panne si elle est utilisée au régime du moteur pour lequel elle a été conçue.
- 6. Ne pas s'arc-bouter** – Restez en permanence sur les deux pieds pour ne pas perdre l'équilibre.
- 7. Rester vigilant** – Soyez toujours à l'affût et surveillez ce que vous faites. Faites preuve de bon sens. N'utilisez pas la tondeuse à gazon si vous êtes fatigué ou si vous êtes sous l'emprise de l'alcool ou de la drogue.

8. **Désactiver l'alimentation électrique de la tondeuse à gazon** – L'interrupteur étant à la position d'arrêt, retirez les batteries et la clé de sécurité lorsque vous n'utilisez pas la tondeuse, avant d'intervenir dessus, lorsque vous changez d'accessoire ou lorsque vous effectuez toute autre tâche d'entretien.
9. **Remiser la tondeuse à gazon à l'intérieur lorsqu'elle n'est pas utilisée** – Si vous ne l'utilisez pas, la tondeuse à gazon doit être remise à l'intérieur dans un endroit sec, sous clé et hors de portée des enfants.
10. **Entretenir soigneusement la tondeuse à gazon** – Pour qu'ils puissent être utilisés au mieux de leur rendement et sans danger, maintenez les tranchants affûtés et propres.
11. **Utiliser un équipement de protection individuel.**
Toujours porter des lunettes de protection – Des équipements de protection, par exemple des lunettes de sécurité, un masque antipoussières, des chaussures de sécurité antidérapantes, un casque de protection ou des protecteurs d'oreille, utilisés dans les conditions appropriées, réduiront les risques de dommages corporels.
12. **Prévenir les démarrages accidentels** – Avant d'insérer les batteries ou la clé de sécurité, ou avant de saisir la machine ou la transporter, assurez-vous que l'interrupteur est à la position d'arrêt. Transporter une machine électrique en maintenant le doigt sur l'interrupteur ou la recharger lorsque l'interrupteur est à la position de marche peut être source d'accidents.
13. **Retirez toute clé de réglage ou autre clé avant de mettre en marche la machine électrique** – Toute clé qui reste attachée à une pièce tournante de la machine électrique peut entraîner des dommages corporels.
14. **Maintenir la lame de coupe bien affûtée et propre** – Une lame bien entretenue, au tranchant affuté, est moins susceptible de se gripper et plus facile à contrôler.
15. **Maintenir toutes les parties du corps éloignées de la lame de coupe** – Lorsque la lame est en mouvement, ne retirez pas ce qui est déjà tondu ou ne tenez pas ce qui va être tondu. Avant de retirer tout ce qui coince la lame, assurez-vous que l'interrupteur est à la position d'arrêt. Lorsque vous utilisez la machine, un moment d'inattention peut se traduire par de graves dommages corporels.
16. Si la tondeuse à gazon heurte quoi que ce soit, suivez ces étapes :
 - i) Arrêtez la tondeuse à gazon en relâchant le levier marche/arrêt.
 - ii) Retirez les batteries et la clé de sécurité.
 - iii) Inspectez la machine pour vérifier qu'elle n'est pas endommagée.
 - iv) Réparez tout dommage avant de redémarrer et d'utiliser à nouveau la tondeuse à gazon.
17. Utilisez uniquement des lames de rechange identiques et des pièces d'origine.
18. Maintenez les dispositifs de protection en place et en bon ordre de marche.

Sécurité électrique

1. Si le câble du chargeur de batteries est endommagé, veuillez appeler le service à la clientèle Snow Joe® + Sun Joe® au 1-866-SNOWJOE (1-866-766-9563).
2. S'il vous est impossible d'éviter de recharger la machine électrique dans un endroit humide, utilisez une source d'alimentation électrique protégée par un dispositif différentiel à courant résiduel. Ce type de dispositif de protection réduit le risque de secousse électrique.
3. Évitez tout contact du corps avec tout ce qui est mis à la terre, p. ex., tuyaux, radiateurs, fourneaux de cuisine et réfrigérateurs. Il y a un risque accru de secousse électrique si votre corps est relié à la terre.
4. **N'utilisez pas de machines électriques sous la pluie ou par forte humidité.** L'eau qui pénètre dans une machine électrique augmente le risque de secousse électrique.
5. **Ne malmenez pas le cordon du chargeur.** N'utilisez jamais le cordon pour transporter, tirer ou débrancher le chargeur. Maintenez le cordon éloigné de la chaleur, de l'huile, d'arêtes vives ou de pièces mobiles. Les cordons endommagés ou entortillés augmentent le risque de secousse électrique.
6. Le chargeur de batteries est conçu pour être utilisé uniquement à l'intérieur. Ne chargez pas les batteries sous la pluie ou dans les endroits humides.

Batterie et chargeur Consignes de sécurité

Nous avons consacré beaucoup de temps à la conception de chaque bloc-piles afin de nous assurer de vous fournir des batteries qui peuvent être utilisées sans danger, sont robustes et ont une énergie volumique élevée. Les cellules des batteries sont dotées d'un large éventail de dispositifs de sécurité. Chaque cellule individuelle est initialement formatée et ses courbes électriques caractéristiques sont enregistrées. Ces données sont ensuite utilisées exclusivement pour pouvoir assembler les meilleurs blocs-piles possible.

Malgré toutes ces mesures de précaution, il faut toujours faire preuve de prudence lors de la manipulation de batteries. Pour utiliser sans danger les batteries, les points suivants doivent être observés en permanence. L'utilisation sans danger peut uniquement être garantie si les cellules sont intactes. Toute manipulation inappropriée d'un bloc-piles peut endommager les cellules.

IMPORTANT! Les analyses confirment que la mauvaise utilisation de batteries à haut rendement et un entretien laissant à désirer sont les principaux facteurs responsables de dommages corporels et/ou matériels.

⚠️ AVERTISSEMENT! Utiliser uniquement des batteries de rechange homologuées. D'autres types de batteries peuvent endommager la tondeuse à gazon et empêcher son bon fonctionnement, ce qui peut entraîner de graves dommages corporels.

⚠ MISE EN GARDE! Pour réduire le risque de dommages corporels, charger les blocs-piles au lithium-ion iON+ 24V dans le chargeur au lithium-ion iON+ 24V désigné. Les autres types de chargeurs présentent des risques d'incendie et de dommages corporels et matériels. Ne pas brancher les blocs-piles sur le secteur ou l'allumecigare d'une voiture. Les blocs-piles seraient définitivement et irrémédiablement endommagés.

- **Évitez les environnements dangereux :** ne chargez pas les blocs-piles sous la pluie, sous la neige ou dans les endroits humides. N'utilisez pas les blocs-piles ou le chargeur lorsque l'atmosphère est explosive (vapeurs d'essence, poussière ou matières inflammables), des étincelles pouvant se produire lors de l'insertion ou le retrait des blocs-piles, ce qui pourrait provoquer un incendie.
- **Chargez dans un endroit bien ventilé :** ne bloquez pas les orifices de ventilation du chargeur. Dégagez le voisinage immédiat du chargeur pour qu'il soit bien ventilé. Interdisez de fumer et n'autorisez la présence d'aucune flamme nue à proximité de blocs-piles se chargeant. Le gaz dispersé dans l'atmosphère peut exploser.

REMARQUE : la zone de température de sécurité pour les batteries est comprise entre 5 °C et 40,5 °C. Ne chargez pas les batteries à l'extérieur lorsqu'il gèle, chargez-les à température ambiante.

- **Prenez soin du cordon du chargeur :** lorsque vous débranchez le chargeur, tirez sur la fiche dans la prise et non sur le cordon pour éviter d'endommager la fiche électrique et le cordon. Ne tirez jamais le chargeur par le cordon et ne tirez pas brusquement sur le cordon pour le retirer de la prise. Maintenez le cordon éloigné de la chaleur, de l'huile et des arêtes vives. Pendant l'utilisation du chargeur, assurez-vous que personne ne marche sur le cordon, ne trébuche dessus et qu'il ne peut être ni endommagé ni soumis à des tensions ou des pressions. N'utilisez pas le chargeur si sa fiche ou son cordon est endommagé. Remplacez immédiatement tout chargeur endommagé.
- **N'utilisez pas de rallonge électrique, à moins que cela soit absolument nécessaire :** l'utilisation d'une rallonge électrique mal adaptée, endommagée ou mal branchée présente des risques d'incendie et de secousse électrique. S'il s'avère nécessaire d'utiliser une rallonge électrique, branchez le chargeur dans une rallonge électrique de calibre 16 AWG ou plus gros, la fiche femelle correspondant à la fiche mâle sur le chargeur. Vérifiez que la rallonge électrique est en bon état.
- **Le chargeur 24VCHR-G-DPC est prévu uniquement pour 120 VCA :** le chargeur doit être branché dans une prise appropriée.
- **Utilisez uniquement des accessoires recommandés :** l'utilisation d'un accessoire non recommandé ou vendu par le fabricant des blocs-piles ou du chargeur peut provoquer un incendie, une secousse électrique ou des dommages corporels.
- **Débranchez tout chargeur non utilisé :** assurez-vous de retirer les blocs-piles du chargeur débranché.

⚠ AVERTISSEMENT! Pour réduire le risque de secousse électrique, toujours débrancher le chargeur avant d'effectuer un nettoyage ou un entretien. Ne pas laisser d'eau couler dans le chargeur. Pour réduire le risque de secousse électrique, utiliser un disjoncteur différentiel de fuite de terre (DDFT).

- **Ne brûlez pas ou n'incinerez pas les blocs-piles :** ils peuvent exploser et provoquer des dommages corporels ou matériels. Des gaz et des particules toxiques se dégagent d'un bloc-piles qui brûle.
- **N'écrasez pas, ne faites pas tomber ou n'endommagez pas les blocs-piles :** n'utilisez pas les blocs-piles ou le chargeur s'ils ont reçu un coup brutal, s'ils sont tombés, s'ils ont été écrasés ou endommagés d'une façon ou d'une autre (c.-à-d., percés par un clou, frappés d'un coup de marteau, foulés au pied, etc.).
- **Ne démontez rien :** un remontage mal effectué peut présenter un risque important de secousse électrique, d'incendie ou d'exposition aux produits chimiques toxiques des batteries. Si les batteries ou le chargeur sont endommagés, veuillez communiquer avec un revendeur Snow Joe® + Sun Joe® agréé ou appeler le service à la clientèle Snow Joe® + Sun Joe® au 1-866-SNOWJOE (1-866-766-9563).
- **Les produits chimiques des batteries peuvent occasionner de graves brûlures :** ne laissez jamais un bloc-piles endommagé entrer en contact avec la peau, les yeux ou la bouche. Si un bloc-piles endommagé laisse fuir des produits chimiques, utilisez des gants en caoutchouc ou en néoprène pour les éliminer sans danger. Si la peau est entrée en contact avec les fluides d'une batterie, lavez la zone affectée à l'eau et au savon et rincez au vinaigre. Si les yeux sont entrés en contact avec des produits chimiques de batterie, rincez immédiatement à grande eau pendant 20 minutes et consultez un médecin. Retirez les vêtements contaminés et jetez-les.
- **Ne provoquez pas de court-circuit :** un court-circuit se produira si un objet en métal relie les contacts positif et négatif du bloc-piles. Ne placez aucun bloc-piles près de tout ce qui peut provoquer un court-circuit, par exemple un trombone, une pièce de monnaie, une clé, une vis, un clou ou tout autre objet métallique. Un bloc-piles en court-circuit présente un risque d'incendie et peut blesser gravement.
- **Rangez les blocs-piles et le chargeur dans un endroit frais et sec :** ne rangez pas les blocs-piles ou le chargeur lorsque la température peut être supérieure à 40,5 °C, par exemple directement sous les rayons du soleil, à l'intérieur d'un véhicule ou dans un cabanon à structure métallique pendant l'été.

Renseignements sur les batteries

1. Les blocs-piles fournis avec votre tondeuse à gazon sans cordon ne sont que partiellement chargés. Les blocs-piles doivent être complètement chargés avant d'utiliser la machine pour la première fois.
2. Pour un rendement optimal des blocs-piles, évitez d'attendre qu'ils soient presque déchargés et chargez-les fréquemment.

3. Rangez les blocs-piles dans un endroit frais, idéalement à 25 °C et chargés au moins à 40 %.
4. Les batteries au lithium-ion s'usent naturellement avec le temps. Les blocs-piles doivent être remplacés au plus tard lorsque leur capacité d'origine, à l'état neuf, chute de 80 %. Les cellules affaiblies de blocs-piles usés ne peuvent plus produire la forte intensité exigée pour que votre tondeuse à gazon sans cordon fonctionne normalement, ce qui présente un risque pour la sécurité.
5. Ne jetez pas de blocs-piles dans un feu nu, ce qui pourrait les faire exploser.
6. Ne mettez pas le feu aux blocs-piles et ne les exposez pas à une flamme.
7. Ne déchargez jamais complètement les blocs-piles. La décharge poussée d'une batterie endommagera ses cellules. Le rangement prolongé et la non-utilisation de batteries partiellement déchargées sont les causes les plus communes d'une décharge complète. Arrêtez votre travail dès que vous remarquez que la puissance des batteries chute ou dès que le système de protection électronique se déclenche. Rangez les blocs-piles pour une longue période uniquement s'ils sont à charge complète.
8. Protégez les batteries et la machine contre les surcharges. Les surcharges donneront rapidement lieu à une surchauffe et endommageront les cellules à l'intérieur du boîtier des batteries, même si cette surchauffe n'est pas visible de l'extérieur.
9. Évitez d'endommager les batteries et de les soumettre à des chocs. Remplacez immédiatement les batteries qui sont tombées d'une hauteur supérieure à un mètre ou celles qui ont été soumises à des chocs violents, même si le boîtier des blocs-piles ne paraît pas être endommagé. Les cellules de batterie à l'intérieur de la batterie peuvent avoir été gravement endommagées. Dans ce cas, veuillez lire les renseignements sur l'élimination des déchets en ce qui concerne les batteries.
10. Si les blocs-piles souffrent d'une surcharge ou d'une surchauffe, le coupe-circuit de protection intégré coupe le moteur de la machine par mesure de sécurité. Si cette situation se produit, arrêtez la machine et laissez les blocs-piles se refroidir quelques minutes avant de redémarrer.
11. Utilisez uniquement des blocs-piles d'origine. L'utilisation d'autres batteries présente un risque d'incendie et pourrait provoquer des dommages corporels ou une explosion.
2. Protégez le chargeur de batteries et son cordon pour éviter de les endommager. Maintenez le chargeur et son cordon éloignés de la chaleur, de l'huile et des arêtes vives. Faites réparer sans délai tout cordon endommagé par un technicien qualifié chez un revendeur Snow Joe® + Sun Joe® agréé ou appelez le service à la clientèle Snow Joe® + Sun Joe® au 1-866-SNOWJOE (1-866-766-9563).
3. La fiche électrique doit correspondre à la prise. N'apporter aucune modification, quelle qu'elle soit, à la fiche. N'utilisez pas de fiche d'adaptation avec un chargeur mis à la terre. L'utilisation de fiches non modifiées et des prises correspondantes réduira le risque de secousse électrique.
4. Maintenez hors de portée des enfants le chargeur de batteries, les blocs-piles et la machine sans cordon.
5. N'utilisez pas le chargeur de batteries pour charger d'autres outils ou machines sans cordon.
6. Les blocs-piles deviennent chauds après une utilisation prolongée. Laissez les blocs-piles se refroidir à la température ambiante avant de les insérer dans le chargeur pour les charger.
7. Ne chargez pas les batteries de façon excessive. Ne dépassez pas le temps maximal de charge. Ce temps de charge ne s'applique qu'aux batteries déchargées. L'insertion fréquente de blocs-piles chargés ou partiellement chargés provoquera une surcharge et endommagera les cellules. Ne laissez pas la batterie branchée dans le chargeur pendant plusieurs jours consécutifs.
8. N'utilisez ou ne chargez jamais les batteries si vous soupçonnez qu'il y a plus de 12 mois qu'elles ont été chargées pour la dernière fois. Il est extrêmement probable que les blocs-piles soient déjà dangereusement endommagés (décharge poussée).
9. Si vous chargez les batteries à une température inférieure à 5 °C, vous endommagez les produits chimiques des cellules, ce qui peut provoquer un incendie.
10. N'utilisez pas les batteries qui ont été exposées à la chaleur pendant leur charge, car les cellules des batteries peuvent avoir été dangereusement endommagées.
11. N'utilisez pas une batterie qui s'est bombée ou qui a subi des déformations pendant le processus de charge, ni une batterie présentant d'autres symptômes atypiques (échappement de gaz, sifflement, fissures, etc.)
12. Ne déchargez jamais complètement les blocs-piles (le niveau maximal de décharge recommandé est de 80 %). La décharge poussée des blocs-piles entraînera le vieillissement prématuré de leurs cellules.

Renseignements sur le chargeur et le processus de charge

1. Veuillez vérifier les données marquées sur la plaque signalétique du chargeur de batterie. Assurez-vous de brancher le chargeur de batteries sur une source d'alimentation correspondant à la tension indiquée sur la plaque signalétique. Ne le branchez jamais à une tension de secteur différente.

Protection contre les influences environnementales

1. Portez des vêtements de travail adaptés. Portez des lunettes de sécurité.
2. Protégez votre machine sans cordon et le chargeur de batteries contre l'humidité et la pluie. L'humidité et la pluie peuvent endommager dangereusement les cellules.

3. N'utilisez pas la machine sans cordon ou le chargeur de batteries près d'émanations ou de liquides inflammables.
 4. Utilisez le chargeur de batteries et les outils ou machines sans cordon uniquement en milieu sec et à une température ambiante comprise entre 5 °C et 40,5 °C.
 5. Ne conservez pas le chargeur de batteries dans les endroits où la température est susceptible d'être supérieure à 40,5 °C. Ne laissez surtout pas le chargeur de batteries dans une voiture qui stationne au soleil.
 6. Protégez les batteries contre la surchauffe. Les surcharges et l'exposition directe aux rayons du soleil entraînent une surchauffe des cellules et les endommagent. Ne chargez ou n'utilisez jamais de batteries qui ont surchauffé : au besoin, remplacez-les immédiatement.
 7. Rangez le chargeur et remisez votre machine sans cordon uniquement dans un endroit sec où la température ambiante est comprise entre 5 °C et 40,5 °C. Rangez vos blocs-piles au lithium-ion dans un endroit frais et sec à une température de 25 °C. Protégez les blocs-piles, le chargeur et la machine sans cordon contre l'humidité et les rayons du soleil directs. Rangez uniquement les batteries lorsqu'elles sont à charge complète (chargées au minimum à 40 %).
 8. Veillez à ce que les blocs-piles au lithium-ion ne gèlent pas. Les blocs-piles qui ont été entreposés à une température inférieure à 0 °C pendant plus de 60 minutes doivent être éliminés.
 9. Lorsque vous manipulez des batteries, prenez garde aux décharges électrostatiques, car elles peuvent endommager le système de protection électronique et les cellules des batteries. Évitez de produire des charges électrostatiques et ne touchez jamais les pôles d'une batterie.
- Regardez toujours vers le bas et l'arrière lorsque vous utilisez la tondeuse à reculons.
 - Ne dirigez jamais les matières rejetées en direction d'une personne. Évitez de diriger les matières rejetées contre un mur ou tout autre obstacle.
 - N'utilisez pas la machine sans que la totalité du sac à herbe, le déflecteur de protection d'éjection, la protection arrière ou les autres dispositifs de sécurité soient en place et en bon ordre de marche.
 - Ne laissez jamais sans surveillance une machine dont le moteur tourne.
 - Arrêtez le moteur et attendez jusqu'à ce que la lame s'arrête complètement avant de nettoyer la machine, de retirer le sac à herbe ou de déboucher le déflecteur de protection d'éjection.
 - Utilisez la machine uniquement à la lumière du jour ou sous un bon éclairage artificiel.
 - N'utilisez pas la machine lorsque vous êtes fatigué ou si vous êtes sous l'emprise de l'alcool ou de la drogue.
 - N'utilisez jamais la tondeuse dans de l'herbe humide. Assurez toujours vos pas; marchez, ne courez jamais lorsque vous utilisez la tondeuse.
 - Si la machine commence à vibrer d'une manière anormale, arrêtez le moteur et inspectez immédiatement la machine pour rechercher ce qui est à l'origine des vibrations. Les vibrations sont généralement des signes précurseurs d'un problème.
 - Maintenez la lame affûtée.
 - Gardez les mains et les pieds à bonne distance de l'ensemble de coupe.
 - Portez toujours des lunettes de protection lorsque vous utilisez la machine.
 - Tout ce qui est heurté par la lame de la tondeuse à gazon peut provoquer de graves dommages corporels. Avant chaque tonte de pelouse, la zone à tondre doit toujours être inspectée attentivement et débarrassée de tout corps étranger.

IMPORTANT!

Consignes de sécurité pour les tondeuses poussées

Généralités concernant l'utilisation

- Avant de démarrer, lisez, comprenez et suivez toutes les instructions sur la machine et dans le ou les manuels.
- Ne mettez ni les mains ni les pieds sous la machine. Tenez-vous toujours à l'écart de l'ouverture d'éjection.
- Seuls les adultes responsables et familiarisés avec les instructions devraient être autorisés à utiliser cette machine.
- Débarrassez la zone à tondre de tout corps étranger, par exemple les roches, fils, jouets et autres éléments divers, susceptibles d'être ramassés et projetés par la lame. Restez derrière le guidon pendant que le moteur tourne.
- Avant de démarrer la machine, assurez-vous qu'il n'y a plus aucun spectateur dans la zone à tondre. Arrêtez la machine si une personne pénètre dans la zone à tondre.
- N'utilisez pas la machine pieds nus ou si vous portez des sandales. Portez toujours des chaussures suffisamment montantes.

Utilisation sur terrain pentu

Les terrains pentus sont la cause majeure d'accidents dus à des glissades ou à des chutes et aux graves blessures qu'ils peuvent entraîner. L'utilisation d'une tondeuse sur terrain pentu exige une extrême vigilance. Si vous ne vous sentez pas à l'aise sur un terrain pentu, ne le tondez pas.

- Tondez en travers de la pente, jamais en montant ou en descendant. Faites preuve d'une extrême prudence lorsque vous changez de direction sur un terrain pentu.
- Faites attention aux trous, aux ornières, aux bosses, aux roches et à tout ce qui peut être caché. Ils peuvent vous faire glisser ou tomber sans prévenir.
- Ne tondez pas de l'herbe mouillée ou des pelouses excessivement pentues. Si vous êtes instable sur vos deux pieds, vous risquez de glisser ou de tomber.

- Ne tondez pas à proximité d'à-pics, de fossés ou de talus. Vous pourriez perdre l'équilibre.

Enfants

Des accidents tragiques peuvent se produire si l'utilisateur ne fait pas attention à la présence d'enfants. Les enfants font souvent preuve d'une grande curiosité à l'égard de la machine et de l'opération de tonte elle-même. Ne supposez jamais que les enfants resteront là où vous les avez vus pour la dernière fois.

- Maintenez les enfants à l'écart de la zone à tondre et sous la stricte surveillance d'un adulte responsable autre que l'utilisateur.
- Soyez vigilant et arrêtez la tondeuse si un enfant pénètre dans la zone de travail.
- Ne laissez jamais un enfant utiliser la machine.
- Redoublez d'attention en approchant les coins aveugles, les buissons, les arbres ou tout ce qui pourrait vous empêcher de voir un enfant.













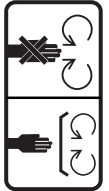


Entretien et réparation

- Avant d'entretenir ou de réparer la tondeuse, de la nettoyer ou de retirer l'herbe accumulée dessous, arrêtez la machine et retirez les batteries et la clé de sécurité.
- Maintenez serrés tous les écrous et boulons.
- Ne trafiquez jamais les dispositifs de sécurité. Faites des vérifications régulières afin de vous assurer que ces dispositifs sont en place et en bon ordre de marche.
- Ne laissez pas de l'herbe, des feuilles ou d'autres débris s'accumuler sur la tondeuse à gazon.
- Si vous heurtez un corps étranger, arrêtez le moteur et inspectez la machine. Réparez au besoin avant de redémarrer.
- N'effectuez jamais de réglages ou de réparations lorsque le moteur tourne. Retirez toujours les batteries avant de régler, nettoyer ou réparer la machine.
- Inspectez fréquemment les composants du sac à herbe et le déflecteur de protection d'éjection et, au besoin, remplacez-les par des pièces recommandées par le fabricant.
- La lame de la tondeuse est affûtée. Enveloppez la lame ou portez des gants, et faites preuve d'extrême précaution pour l'entretenir ou la réparer.
- Maintenez visibles les étiquettes de sécurité et d'instructions ou remplacez-les, le cas échéant.

- Si votre machine électrique nécessite d'être réparée, communiquez avec un revendeur Snow Joe® + Sun Joe® agréé ou appelez le service à la clientèle Snow Joe® + Sun Joe® au 1-866-SNOWJOE (1-866-766-9563). Pour les réparations, il faut uniquement utiliser des pièces de rechange identiques. C'est à ce prix que la sécurité de la machine électrique sera préservée.
- Si le câble du chargeur de batteries est endommagé, il doit être immédiatement remplacé pour éviter tout danger. Communiquez avec le service à la clientèle Snow Joe® + Sun Joe® en appelant le 1-866-SNOWJOE (1-866-766-9563) pour de l'aide.

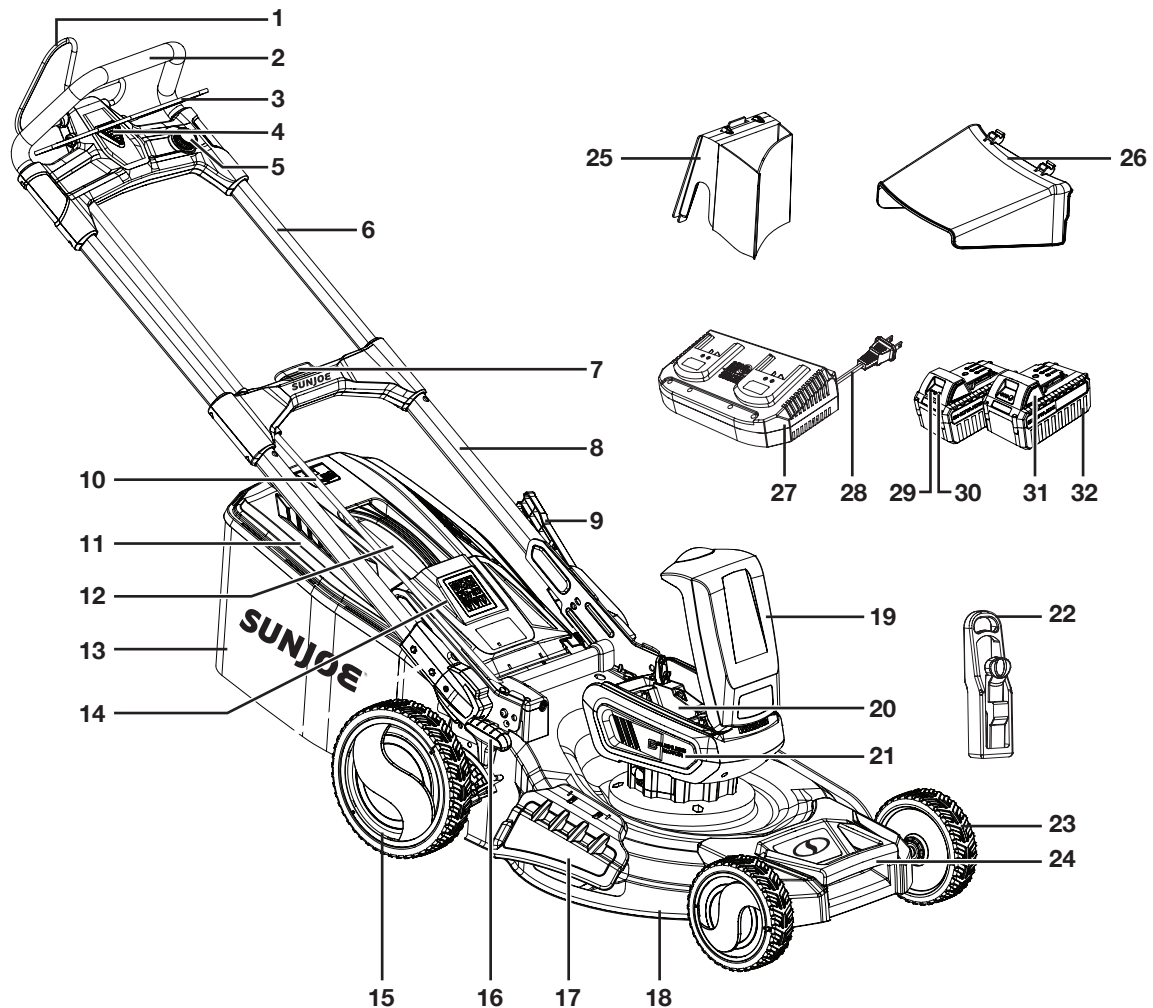
Symboles de sécurité

Le tableau suivant décrit et explique les symboles de sécurité pouvant être marqués sur cette machine. Avant d'essayer de procéder à son assemblage et de l'utiliser, lisez, comprenez et suivez toutes les instructions sur cette machine.

Symboles	Descriptions	Symboles	Descriptions
	DANGER! Lame rotative. Garder mains et pieds à distance.		Maintenir les spectateurs et les enfants à une distance de sécurité suffisante.
	Alerte de sécurité. Mise en garde. Pour réduire le risque de dommages corporels, l'utilisateur doit lire le manuel d'instructions.		Porter des lunettes de sécurité et une protection de l'ouïe. Pour une bonne protection contre les dommages corporels, porter des protecteurs d'oreille et des lunettes de sécurité.
	AVERTISSEMENT! Ne pas utiliser la machine sous la pluie où par forte humidité. La maintenir au sec.		Porter des gants de protection et des chaussures antidérapantes pour utiliser la machine et manipuler les débris.
	Risque de glissade sur terrain pentu - Pour éviter toute glissade ou chute accidentelle, faire preuve d'une extrême prudence en tondant sur des pentes.		Sectionnement des orteils ou des doigts par la lame rotative de la tondeuse.
	La projection d'objets et la lame rotative peuvent provoquer de graves dommages corporels.		Maintenir les spectateurs à bonne distance de la zone de travail.
	La lame continue de tourner après avoir coupé le moteur de la machine.		AVERTISSEMENT! Toujours arrêter la machine et retirer la clé de sécurité avant toute inspection, tout nettoyage ou tout entretien.
	Lame rotative. Tenir les mains et les pieds éloignés des ouvertures lorsque la machine est en marche.		Regarder vers l'arrière lorsque la tondeuse est manœuvrée à reculons.
	Utilisation uniquement à l'intérieur. Utiliser uniquement le chargeur de batteries à l'intérieur.		

Apprenez à mieux connaître votre tondeuse à gazon sans cordon

Avant d'utiliser la tondeuse, lisez attentivement le manuel d'utilisation et les consignes de sécurité. Pour vous familiariser avec l'emplacement des différents réglages et commandes, comparez l'illustration ci-dessous avec la tondeuse. Conservez ce manuel pour pouvoir le consulter dans le futur.



- | | | |
|---|---|---|
| 1. Levier d'autotraction | 13. Sac à herbe | 25. Obturateur de déchetage |
| 2. Poignée rembourrée | 14. Volet d'éjection | 26. Goulotte d'éjection latérale |
| 3. Levier marche/arrêt | 15. Roue arrière | 27. Double chargeur au lithium-ion iON+ 24V (24VCHRG-DPC) |
| 4. Bouton-poussoir de sécurité | 16. Levier de réglage de hauteur | 28. Fiche du chargeur |
| 5. Cadran sélecteur de vitesse en mode d'autotraction | 17. Trappe d'éjection latérale | 29. Témoin de charge de batterie |
| 6. Cadre supérieur de guidon | 18. Châssis de tondeuse | 30. Bouton-poussoir pour témoins de charge de batterie |
| 7. Bouton de déverrouillage de guidon | 19. Couvercle de compartiment à batteries | 31. Bouton-poussoir de déverrouillage |
| 8. Cadre inférieur de guidon | 20. Compartiment à batteries | 32. Batterie au lithium-ion iON+ 24V (2 x 24VBAT) présentant la technologie exclusive EcoSharp® |
| 9. Levier de serrage de guidon | 21. Caisson moteur | |
| 10. Hublot indicateur de remplissage | 22. Clé de sécurité | |
| 11. Couvercle du sac à herbe | 23. Roue avant | |
| 12. Poignée du sac à herbe | 24. Poignée de transport | |

Données techniques

Moteur sans balais	Puissance absorbée : 1 100 W Puissance utile : 900 W
Tension max. des batteries*	48 VCC (2 x 24 V)
Capacité des batteries	4,0 Ah
Entrée du chargeur	120 VCA, 60 Hz, 160 W
Sortie du chargeur	26 VCC, 2 x 2,2 A
Temps max. de charge	1 h 50 min
Largeur de coupe max.	51 cm
Hauteur de coupe.....	30 mm à 90 mm
Taille du châssis de tondeuse	53,3 cm
Contenance du sac à herbe	50 l
Vitesse d'autotraction.....	0,6 m/s à 1,4 m/s
Régime à vide	2 500 tr/min
Poids net	29,6 kg

*Génère 48 V max. grâce à deux batteries au lithium-ion de 24 V. La tension initiale à vide, une fois la batterie à charge complète, grimpe à 24 V; la tension nominale sous charge typique est de 21,6 V.

Déballage

Contenu de la caisse

- Tondeuse à gazon sans cordon
 - Clé de sécurité
 - Sac à herbe
 - Goulotte d'éjection latérale
 - Obturateur de déchetage (inséré dans l'ouverture d'éjection arrière)
 - (2) Batteries au lithium-ion iON+ 24V
 - Double chargeur au lithium-ion iON+ 24V
 - Manuel et carte d'enregistrement
1. Retirez soigneusement la tondeuse à gazon de la caisse et inspectez-la pour vérifier que tous les éléments énumérés ci-dessus sont fournis.
 2. Inspectez soigneusement le contenu afin de vous assurer qu'aucun élément ne s'est cassé ou n'a été endommagé pendant l'expédition.

REMARQUE : ne jetez pas la caisse d'expédition et l'emballage tant que vous n'êtes pas prêt à utiliser votre nouvelle tondeuse à gazon sans cordon. L'emballage est fabriqué dans des matériaux recyclables. Éliminez ces matériaux de façon appropriée et conformément aux réglementations locales.

IMPORTANT! La machine et son emballage ne sont pas des jouets. Ne laissez pas les enfants jouer avec les sacs en plastique, les feuilles métalliques ou les petites pièces. Ces éléments peuvent être avalés et risquent de provoquer une suffocation!

Utilisation des blocs-piles

Cette machine est alimentée par deux batteries au lithium-ion. Les blocs-piles sont entièrement scellés et sans entretien.





⚠️ AVERTISSEMENT! La tondeuse à gazon sans cordon peut uniquement être alimentée par les deux batteries ensemble. Une seule batterie ne peut pas fournir suffisamment d'énergie à la machine. S'assurer d'utiliser deux batteries de même tension et de même capacité. L'utilisation de la machine avec des batteries de différentes capacités endommagera les batteries.

⚠️ AVERTISSEMENT! Avant leur première utilisation, les batteries nécessitent d'être rechargées pendant 1 h 50 min pour être à charge complète. Lorsque les batteries sont faibles, les recharger pendant 1 h 50 min avant de les utiliser à nouveau.

Témoin de charge de batterie

Les blocs-piles sont dotés d'un bouton-poussoir pour vérifier le niveau de charge. Appuyez simplement sur le bouton-poussoir pour lire le niveau de charge de la batterie à l'aide des témoins de charge :

- Les témoins de charge sont tous les trois allumés : le niveau de charge de batterie est élevé.
- Deux témoins de charge sont allumés : le niveau de charge de batterie diminue. Arrêtez votre travail dès que possible.
- Un témoin de charge est allumé : la batterie est à plat. Arrêtez IMMÉDIATEMENT votre travail et chargez la batterie. Sinon, la longévité de la batterie s'en trouvera considérablement réduite.

Lights	Light Indicators
	Charge level button
	The battery is at 30% capacity and requires charging
	The battery is at 60% capacity and requires charging soon
	The battery is at full capacity

REMARQUE : si le bouton de niveau de charge ne semble pas fonctionner, insérez la batterie dans le chargeur et chargez.

REMARQUE : immédiatement après avoir utilisé le bloc-piles, le bouton de niveau de charge peut afficher une charge plus faible que si la vérification avait eu lieu quelques minutes plus tard. Les cellules des batteries « récupèrent » une partie de leur charge après une période de repos.

Utilisation du chargeur

⚠️ AVERTISSEMENT! Charger uniquement des blocs-piles au lithium-ion iON+ 24V à l'aide du chargeur au lithium-ion iON+ 24V compatible. Les autres types de batteries peuvent causer des dommages corporels et matériels.

Pour réduire le risque de secousse électrique, ne laissez pas d'eau couler dans la fiche du chargeur CA/CC.

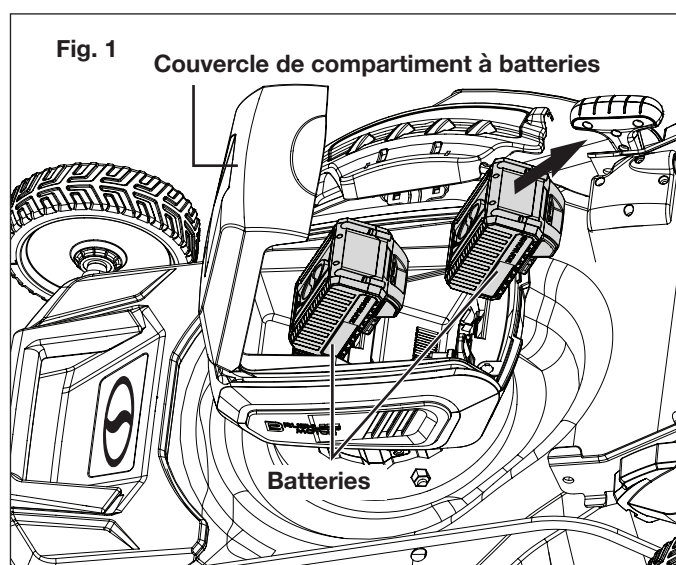
Quand charger les batteries au lithium-ion iON+ 24VBAT

REMARQUE : les blocs-piles au lithium-ion iON+ 24VBAT ne présentent pas « d'effet mémoire » lorsqu'ils sont chargés après une simple décharge partielle. C'est pourquoi il n'est pas nécessaire de décharger les blocs-piles avant de les placer dans le chargeur.

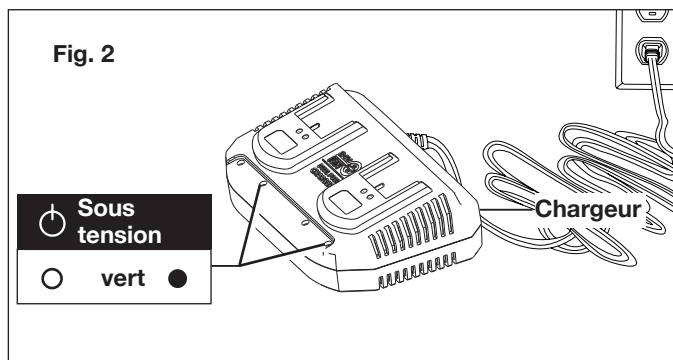
- Utilisez les témoins de charge de batterie pour déterminer quand charger vos blocs-piles au lithium-ion iON+ 24VBAT.
- Vous pouvez « compléter » la charge des blocs-piles avant de démarrer un gros travail ou après une longue journée d'utilisation.

Comment charger les batteries

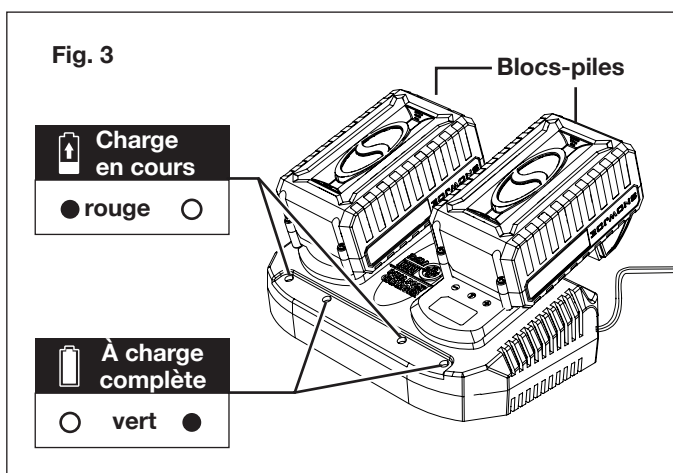
1. Pour retirer les blocs-piles de leur compartiment, ouvrez le couvercle du compartiment à batteries et appuyez sur les boutons-poussoirs de verrouillage de chaque batterie (Fig. 1).



2. Vérifiez que la tension de secteur est la même que celle marquée sur la plaque signalétique du chargeur de batteries. Insérez ensuite la fiche du chargeur dans une prise murale. Lorsque vous branchez le chargeur, deux témoins s'allument en vert sans clignoter (Fig. 2).



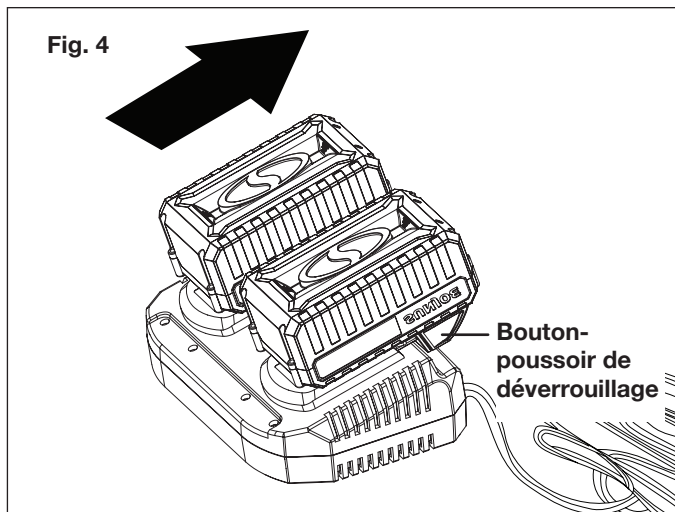
3. Insérez les blocs-piles dans le chargeur en les faisant glisser jusqu'à ce qu'ils se mettent en place en se verrouillant. Lorsque vous insérez les batteries dans le chargeur, les deux témoins verts s'éteignent et les témoins rouges s'allument pour indiquer que la charge des batteries est en cours (Fig. 3).



4. Lorsque les témoins du chargeur passent au vert, les batteries sont à charge complète (Fig. 3).

REMARQUE : un bloc-piles complètement déchargé dont la température interne est dans une plage normale se chargera complètement en 1 h 50 min (entre 0 et 45 °C).

5. Si les témoins de charge ne s'allument pas du tout, vérifiez que les blocs-piles reposent bien dans leur compartiment. Retirez les blocs-piles et réinsérez-les. Si le problème persiste, communiquez avec un revendeur Snow Joe® + Sun Joe® agréé ou appelez le service à la clientèle Snow Joe® + Sun Joe® au 1-866-SNOWJOE (1-866-766-9563) pour de l'aide.
6. Une fois que les blocs-piles sont à charge complète, retirez-les du chargeur en appuyant sur les boutons-poussoirs de verrouillage de chaque bloc-piles et en les faisant glisser vers l'arrière pour les dégager du chargeur (Fig. 4).



⚠ MISE EN GARDE! RISQUE D'INCENDIE. Avant de retirer les batteries du chargeur, s'assurer de débrancher d'abord le chargeur de la prise, puis retirer les batteries du chargeur.

⚠ AVERTISSEMENT! Ce chargeur ne s'éteint pas automatiquement lorsque les batteries sont à charge complète. Veiller à ne pas laisser les batteries dans le chargeur. Éteindre le chargeur ou le débrancher du secteur une fois que les batteries sont à charge complète.

7. En rechargeant les batteries au moment opportun, vous prolongerez leur durée de vie. Vous devez recharger les blocs-piles lorsque vous remarquez une chute de puissance de la machine.

IMPORTANT! Ne laissez jamais les blocs-piles se décharger complètement, car ceci les endommagerait irrémédiablement.

Charger un bloc-piles chaud ou froid

Les témoins verts sur la base du chargeur indiquent que la température des blocs-piles est en dehors de la zone normale pour se charger. Une fois que la température des batteries retourne dans la zone normale, elles se chargent normalement et le témoin passe au rouge sans clignoter. Les blocs-piles chauds ou froids prennent davantage de temps pour se charger.

Statut de charge lithium-ion			
Batterie Bloc Température	Chargeur Base Indicateur Témoin	Bloc-piles Indicateur Témoin	Charge en cours Statut
Trop chaude	Vert	Clignotant ensemble	Aucune charge en cours
Zone normale	Rouge	Clignotant l'un après l'autre	Charge en cours normale
Trop froide	Vert	Clignotant ensemble	Aucune charge en cours

Assemblage

⚠ AVERTISSEMENT! Ne pas insérer les batteries tant que l'assemblage n'est pas terminé. Ne pas tenir compte de cet avertissement peut entraîner un démarrage accidentel et de graves dommages corporels.

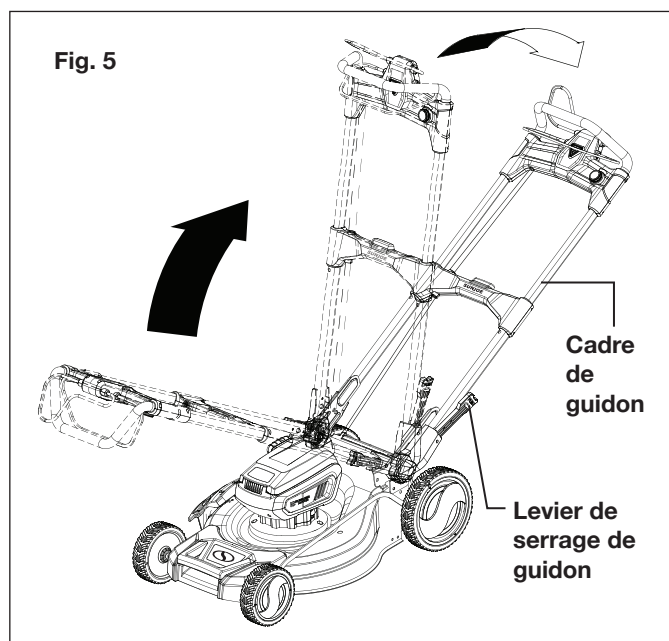
⚠ AVERTISSEMENT! Avant d'effectuer le moindre entretien, assurez-vous de retirer les batteries et la clé de sécurité de la machine. Toute personne ne tenant pas compte de cet avertissement s'expose à de graves dommages corporels.

⚠ AVERTISSEMENT! La machine doit être complètement assemblée avant de pouvoir l'utiliser. Ne pas utiliser une machine qui n'est assemblée que partiellement ou avec des pièces endommagées.

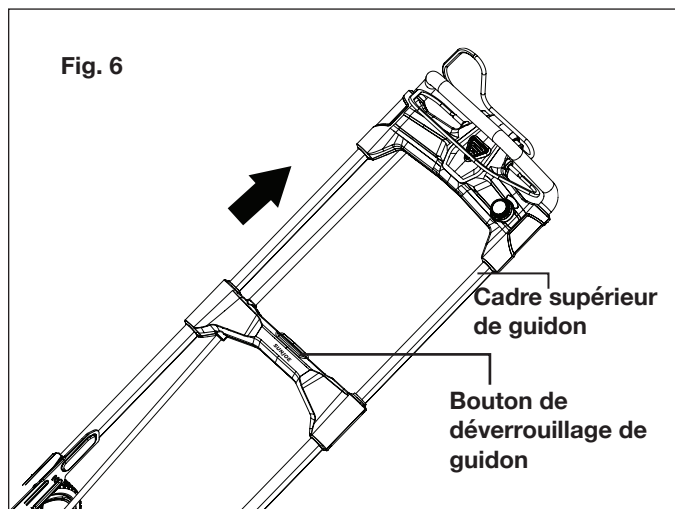
REMARQUE : avant d'utiliser la tondeuse, suivez ces instructions pour assembler le guidon et le sac à herbe.

Assemblage du guidon

1. Pour l'expédition de la machine, le cadre de guidon replié en position de remisage. Pour déplier le guidon, appuyez sur le levier de serrage de cadre de guidon et relevez-le jusqu'à ce qu'il s'encliquette en se mettant en position d'utilisation (Fig. 5).

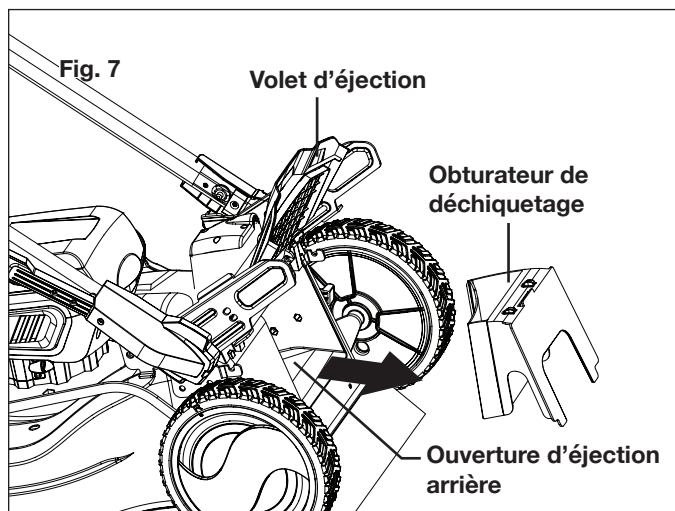


2. Tout en tirant sur le cadre supérieur de guidon pour le déployer complètement, enfoncez le bouton de déverrouillage de guidon situé sur la barre intermédiaire du cadre de guidon (Fig. 6).

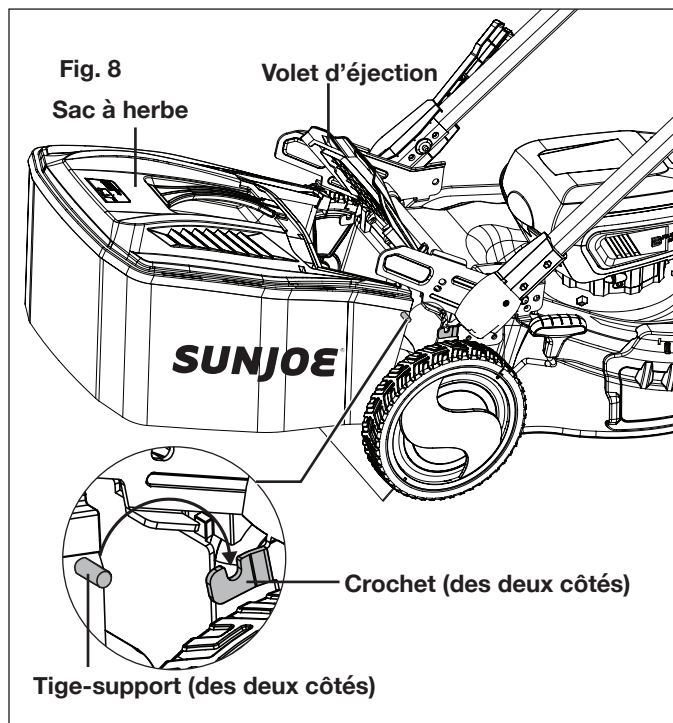


Pose du sac à herbe

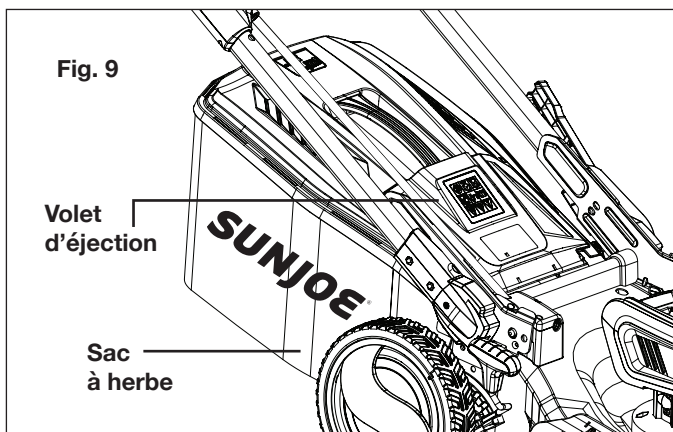
1. Relevez le volet d'éjection et retirez l'obturateur de déchiquetage inséré dans l'ouverture d'éjection arrière (Fig. 7).



2. Le volet d'éjection étant relevé, tenez le sac à herbe par la poignée et attachez les extrémités de la tige-support aux crochets de chaque côté (Fig. 8).



3. Relâchez le volet d'éjection afin qu'il repose sur le sac à herbe (Fig. 9).

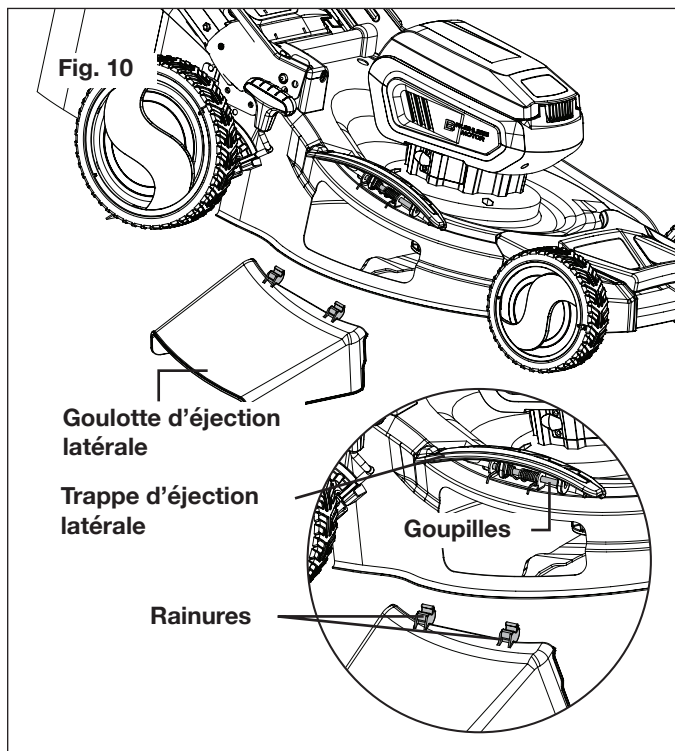


Assemblage et pose de la goulotte d'éjection latérale

Utilisez la goulotte d'éjection latérale de la tondeuse lorsque l'herbe est trop haute pour être déchiquetée ou si vous préférez une éjection latérale. Les brins d'herbe coupée à la sortie de la goulotte d'éjection latérale sont visiblement plus gros que ceux obtenus après déchiquetage.

REMARQUE : lorsque vous utilisez la goulotte d'éjection latérale, n'attachez pas le sac à herbe. Insérez l'obturateur de déchiquetage dans l'ouverture d'éjection arrière.

1. Relevez la trappe d'éjection latérale.
2. Alignez la rainure de chaque attache sur la goulotte d'éjection latérale avec les goupilles du dessous de la trappe et accrochez les attaches aux goupilles (Fig. 10).



3. Relâchez la trappe d'éjection latérale.

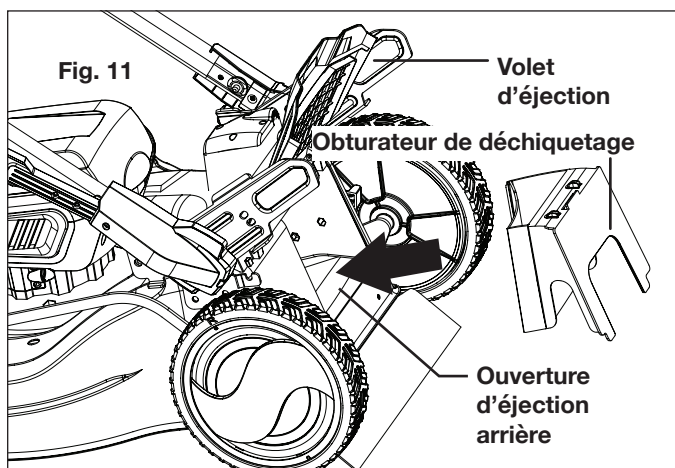
Assemblage et pose de l'obturateur de déchiquetage

Votre tondeuse est équipée d'un obturateur de déchiquetage qui permet à la lame de couper et de recouper l'herbe en brins très fins.

REMARQUE : lorsque vous utilisez l'obturateur de déchiquetage, n'attachez ni le sac à herbe ni la goulotte d'éjection.

REMARQUE : lorsque le sac à herbe n'est pas attaché, l'obturateur de déchiquetage doit être inséré dans l'ouverture d'éjection arrière.

1. Relevez le volet d'éjection.
2. Insérez complètement l'obturateur de déchiquetage dans l'ouverture d'éjection arrière et assurez-vous qu'il y repose bien (Fig. 11).



3. Relâchez le volet d'éjection.

Utilisation

Cette tondeuse à gazon est destinée à un usage résidentiel privé consistant à tondre les pelouses de petite superficie dans les jardins. Cette tondeuse n'est pas adaptée pour tondre le gazon dans les parcs publics, les terrains de jeu, les fermes ou les forêts. N'utilisez pas cette tondeuse à gazon pour un travail autre que celui auquel elle est destinée.

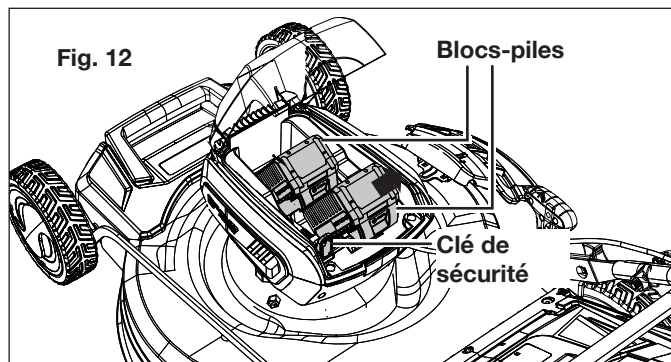
Réglage de la hauteur de coupe

Cette tondeuse à gazon sans cordon est équipée d'un levier de réglage de hauteur de coupe à sept positions pour régler sur mesure les hauteurs de coupe de l'herbe de 30 mm à 90 mm. Pour changer la hauteur de coupe de l'herbe, suivez les instructions ci-dessous.

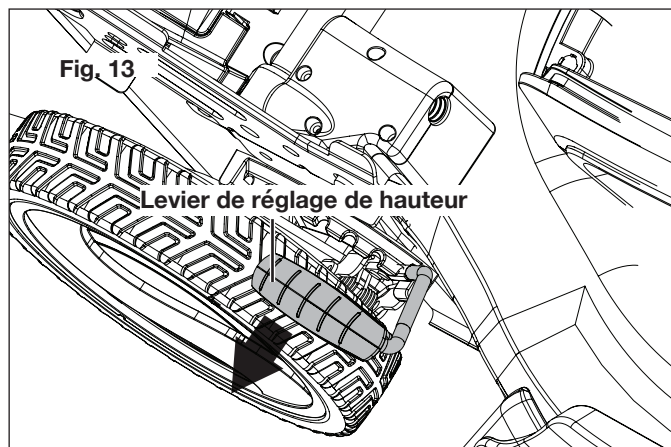
⚠ AVERTISSEMENT! Avant de procéder à ces réglages, retirer les batteries et la clé de sécurité de la tondeuse à gazon et patienter jusqu'à ce que la lame rotative se soit complètement arrêtée de tourner.

TOUJOURS SUIVRE LES MESURES DE SÉCURITÉ ET LES RECOMMANDATIONS ÉNUMÉRÉES PRÉCÉDEMMENT DANS CE MANUEL.

1. Coupez le moteur de la tondeuse à gazon et retirez les batteries et la clé de sécurité (Fig. 12).



2. Poussez le levier de réglage de hauteur de coupe vers l'extérieur de l'encoche dans laquelle il est placé (Fig. 13).



3. Insérez le levier dans l'encoche voulue.

Réglage de hauteur à sept positions (de l'avant vers l'arrière) :

- (1) 30 mm
- (2) 40 mm
- (3) 50 mm
- (4) 60 mm
- (5) 70 mm
- (6) 80 mm
- (7) 90 mm

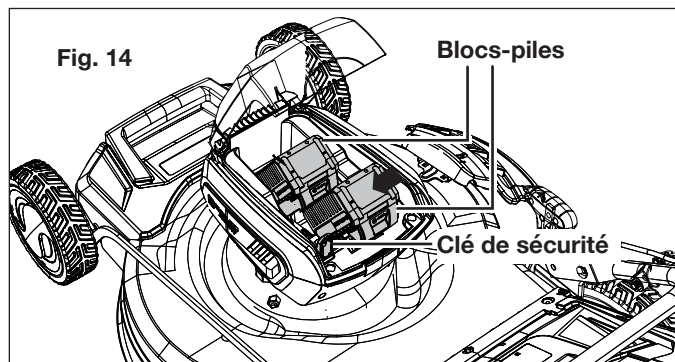
4. Réinsérez les batteries et la clé de sécurité dans la tondeuse à gazon et reprenez normalement la tonte.

Démarrage et arrêt

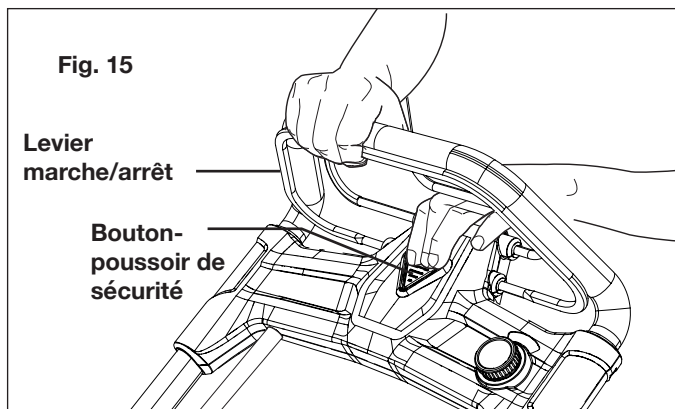
⚠ AVERTISSEMENT! Avant de démarrer la tondeuse, vérifier qu'elle n'est en contact avec aucun corps étranger. Maintenir les pieds et les mains à bonne distance de la lame rotative de la tondeuse et de l'ouverture d'éjection. Toute personne ne tenant pas compte de ces avertissements peut se blesser gravement.

IMPORTANT : ne démarrez pas la tondeuse dans de l'herbe haute.

1. Assurez-vous de ne pas presser le levier marche/arrêt de la machine. Insérez les batteries et la clé de sécurité dans leurs logements respectifs (Fig. 14). Fermez le couvercle du compartiment à batteries.



2. Pour démarrer la machine, appuyez sur le bouton-poussoir de sécurité tout en tirant le levier marche/arrêt vers vous (Fig. 15).



3. Une fois que la machine a démarré, relâchez le bouton-poussoir de sécurité et commencez à tondre.
4. Pour arrêter la tondeuse, relâchez le levier marche/arrêt.

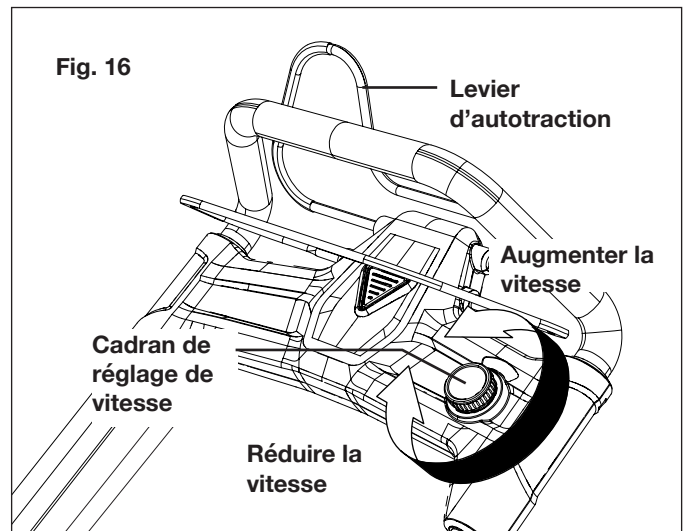
⚠ AVERTISSEMENT! La lame de la tondeuse continue à tourner pendant un bref instant une fois que le moteur a été coupé. Ne pas incliner ou transporter la machine quand le moteur tourne encore et ne pas toucher la lame pendant qu'elle est encore en rotation. Toute personne ne tenant pas compte de cet avertissement s'expose à de graves dommages corporels.

Utilisation du système d'autotraction

La tondeuse à gazon sans cordon est équipée d'un système d'autotraction à vitesse variable qui est indépendant et peut être utilisé sans faire tourner la lame. Par exemple, lorsque vous avez fini de tondre votre pelouse, vous pouvez utiliser le système d'autotraction pour déplacer la tondeuse jusqu'à l'endroit où vous la rangez, sans faire tourner la lame. Pour prolonger au maximum son autonomie, vous pouvez également choisir d'utiliser la tondeuse comme une machine sans autotraction.

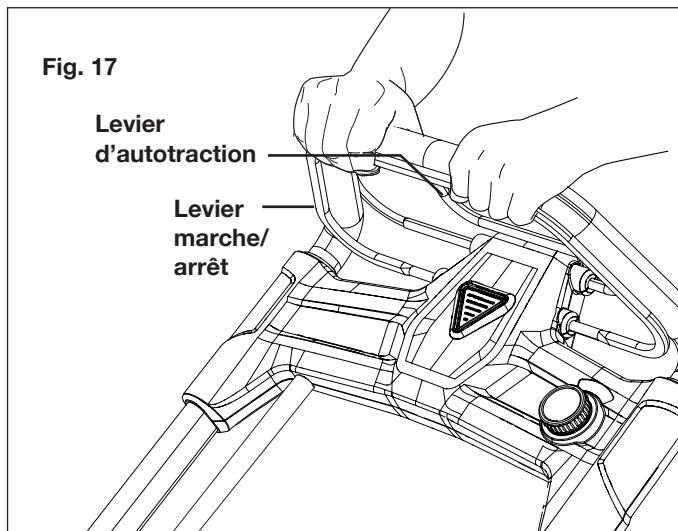
Pour utiliser le système d'autotraction sans faire tourner la lame, pressez sans le relâcher le levier d'autotraction contre le guidon. Pour désactiver le système d'autotraction, relâchez le levier d'autotraction (Fig. 16).

Le système est doté de vitesses variables. Réglez la vitesse en tournant le cadran de réglage de vitesse comme l'indique la Fig. 16.



Pour utiliser le système d'autotraction en faisant tourner la lame pour tondre :

1. Démarrez la tondeuse à gazon comme l'indiquent les étapes 1 à 3 dans la section Démarrage et arrêt.
2. Tout en pressant de la main gauche le levier marche/arrêt contre le guidon, poussez de la main droite le levier d'autotraction contre le guidon.
3. Maintenez en position le levier d'autotraction et le levier marche/arrêt en ayant les deux mains sur la poignée rembourrée (Fig. 17).



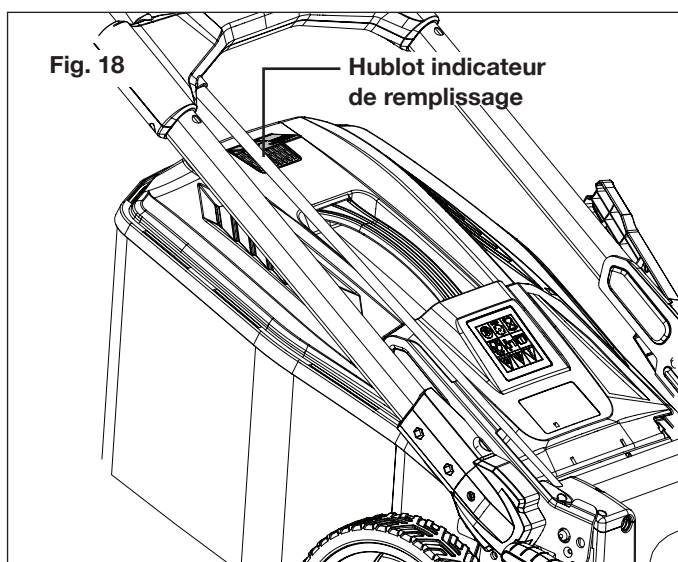
REMARQUE : lorsque le système d'autotraction est désactivé, la tondeuse à gazon peut se bloquer elle-même et ne pas se déplacer à reculons. Dans ce cas, poussez-la légèrement vers l'avant et, au besoin, faites reculer ensuite la tondeuse.

Lorsque vous utilisez la tondeuse, il peut s'avérer plus facile de tondre autour d'un arbre ou d'un massif en ayant désactivé le système d'autotraction.

⚠ AVERTISSEMENT! Pour réduire le risque de dommages corporels, ne jamais essayer de neutraliser le fonctionnement de l'interrupteur ou du système d'autotraction. Utiliser uniquement le système d'autotraction aux fins prévues.

Indicateur de niveau de remplissage du sac à herbe

1. Le sac à herbe est équipé d'un volet indicateur de niveau de remplissage qui s'ouvre sous l'effet de la circulation d'air que la tondeuse à gazon génère pendant son utilisation (Fig. 18).



2. Si le volet se ferme pendant la tonte, ceci indique que le sac à herbe est plein et doit être vidé.

REMARQUE : pour s'assurer que l'indicateur de niveau de remplissage fonctionne normalement, maintenez les orifices sous le volet propres et perméables.

Conseils pour la tonte

⚠ AVERTISSEMENT! Inspecter le terrain avant de le tondre et retirer toutes les pierres, bâtons, fils et tout ce qui peut être ramassé et projeté en l'air par la lame rotative. Ne pas tenir compte de cet avertissement aura pour effet non seulement d'endommager la lame de la tondeuse, mais également de provoquer de graves dommages corporels.

- Assurez-vous d'inspecter périodiquement la lame de coupe afin de vérifier qu'elle ne présente aucun signe d'usure et, au besoin, remplacez-la comme cela est décrit dans la section sur l'entretien.

REMARQUE : une lame affûtée améliorera nettement le rendement de la tondeuse, spécialement lorsqu'il faut couper des herbes hautes.

- Lorsque vous tondez de l'herbe épaisse, réduisez votre vitesse de progression pour vous permettre de tondre plus efficacement et rejeter de façon appropriée l'herbe coupée. Pour obtenir une pelouse saine, coupez toujours un tiers ou moins de la hauteur totale de l'herbe. La hauteur moyenne de l'herbe d'une pelouse doit se situer approximativement entre 4 cm et 5 cm pendant la saison froide et être supérieure à 5 cm pendant la saison chaude. S'il y a repousse, la pelouse doit être tondue à l'automne.
- La pelouse aura un meilleur aspect si l'herbe est toujours coupée à la même hauteur et en croisant les directions.
- Lorsque vous traversez un revêtement de gravier, relâchez le levier marche/arrêt pour couper le moteur de la tondeuse. Des pierres peuvent être ramassées et projetées par la lame rotative.
- Réglez la tondeuse à la hauteur de coupe maximale lorsque vous tondez un terrain accidenté ou de mauvaises herbes hautes.

⚠ AVERTISSEMENT! Si la tondeuse heurte quoi que ce soit, arrêter le moteur et retirer les batteries. Inspecter soigneusement la tondeuse et réparer tout dommage avant de reprendre le travail.

- **IMPORTANT!** N'ouvrez jamais le volet d'éjection lorsque le sac à herbe a été détaché (pour être vidé) et lorsque le moteur tourne toujours. La lame rotative peut provoquer de graves blessures!
- Attachez toujours soigneusement le volet d'éjection et le sac à herbe. Coupez le moteur avant de vider le sac à herbe. Assurez-vous toujours qu'une distance de sécurité suffisante (fournie par la longueur du cadre du guidon) est maintenue entre l'utilisateur et le caisson de la tondeuse. Soyez particulièrement vigilant lorsque vous tondez et changez de direction sur une pente ou un plan incliné.
- Gardez toujours un bon équilibre et portez des chaussures robustes et antidérapantes ainsi que des pantalons

longs. Tondez toujours en travers de la pente (et non en descendant et en montant).

- Par mesure de sécurité, la tondeuse à gazon ne peut pas être utilisée pour tondre sur les plans inclinés dont la pente est supérieure à 15 degrés.
- Faites preuve de précautions particulières lorsque vous reculez et lorsque vous tirez la tondeuse à gazon vers vous, car ce type de manœuvre risque de vous faire trébucher.
- Pour un déchiquetage efficace, ne coupez pas de l'herbe mouillée, car elle a tendance à se coller sur le dessous du châssis de tondeuse en empêchant le déchiquetage approprié de l'herbe coupée. La fin d'après-midi est le meilleur moment pour tondre lorsque l'herbe est sèche, la zone fraîchement tondu ne pouvant pas être exposée aux rayons du soleil.
- Pour obtenir un rendement maximal de déchiquetage, réglez la hauteur de coupe de manière à ce qu'environ un tiers de la longueur de l'herbe soit coupée, idéalement pas plus de 4 cm à la fois. Si la hauteur de l'herbe est excessive, il peut s'avérer nécessaire d'augmenter la hauteur de coupe afin de faciliter la tonte et empêcher le moteur de surchauffer. Ralentissez votre rythme de tonte lorsque l'herbe est épaisse ou haute. Pour déchiqueter de l'herbe épaisse ou haute, il est conseillé de tondre d'abord à un réglage de hauteur élevée et de repasser en utilisant le réglage de hauteur voulue. Sinon, faites des passages plus étroits et tondez plus lentement. **TOUJOURS S'ASSURER QUE LA LAME EST AFFUTÉE.**

Soin et entretien

⚠️ AVERTISSEMENT! Avant de nettoyer, réparer ou inspecter la tondeuse, arrêter la machine, retirer les batteries et la clé de sécurité. Vérifier que toutes les pièces mobiles sont à l'arrêt complet.

Généralités

- Veillez à ce que la tondeuse soit toujours propre et qu'il n'y ait ni herbe, saleté ou autres débris accumulés dessus.
- Maintenez le guidon sec, propre et exempt d'huile et de graisse.
- Après chaque tonte, retirez l'herbe coupée et les débris qui se sont accumulés à l'aide d'un chiffon sec ou d'une brosse à main. Vous pouvez également nettoyer le matériel à l'aide d'un chiffon humide et d'un savon doux et non abrasif. N'utilisez ni agents nettoyants ni solvants corrosifs, car ils peuvent endommager les pièces en plastique de la machine. Assurez-vous qu'il n'y ait pas d'eau qui pénètre à l'intérieur de la machine et qui puisse détruire le mécanisme de l'interrupteur et le moteur électrique.
- Ne nettoyez pas la tondeuse à gazon à l'eau courante et bien évidemment non plus à l'eau à haute pression.
- Avant chaque utilisation, vérifiez que tous les écrous, boulons et vis sont correctement serrés.
- Inspectez fréquemment l'ensemble sac à herbe pour déceler la présence éventuelle de signes d'usure et

remplacez immédiatement toute pièce endommagée par une pièce d'origine.

- Remplacez immédiatement les pièces excessivement usées ou endommagées.
- Pour prolonger au maximum la durée de vie de votre tondeuse, toutes les pièces vissées, y compris les roues et les arbres, doivent être nettoyées et lubrifiées. Il n'y a aucune pièce à l'intérieur de la machine qui nécessite un entretien ou une lubrification supplémentaire.

Entretien de la lame

IMPORTANT : la lame de tondeuse est acérée et peut provoquer de graves blessures si elle est manipulée de façon inappropriée. Envelopper la lame ou porter des gants de protection et faire preuve d'une extrême prudence en la manipulant.

La lame d'acier est conçue pour que la coupe de l'herbe haute ou drue soit franche. La détérioration de la qualité de tonte indique que la lame est usée ou endommagée. Suivez ces étapes pour déterminer si la lame nécessite d'être réaffûtée ou remplacée :

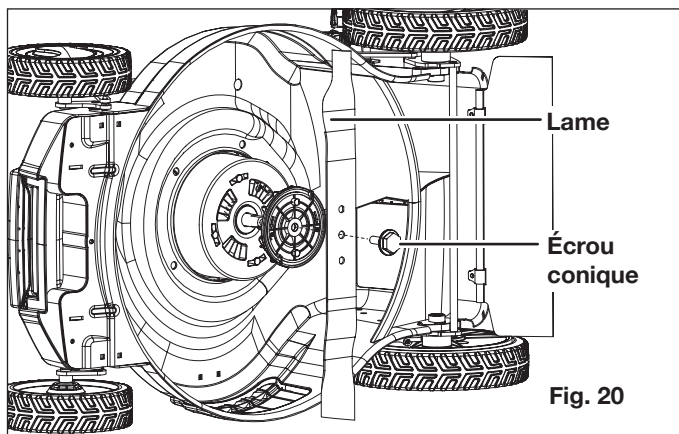
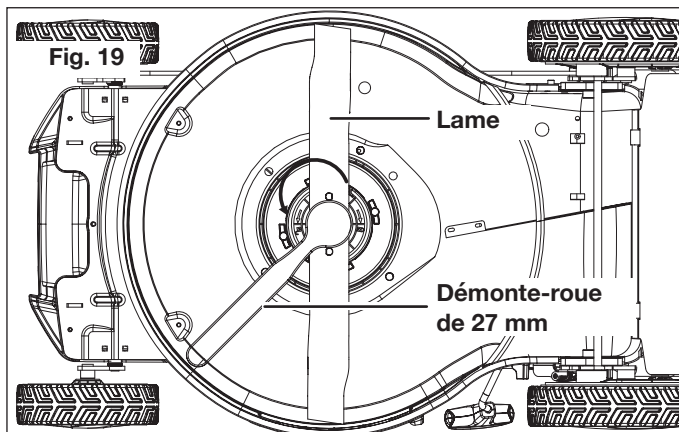
1. Désactivez l'alimentation électrique de la tondeuse en retirant les batteries et la clé de sécurité.
2. Retournez la tondeuse sur son flanc pour pouvoir accéder au dessous du carter de lame.
3. Vérifiez la lame.
 - a. Si la lame est émoussée ou présente une usure mineure, réaffutez-la.
 - b. Si la lame présente des signes d'usure majeure ou est gravement endommagée (c.-à-d., entaillée, recourbée), remplacez-la.

⚠️ AVERTISSEMENT! Si la tondeuse vibre de manière excessive, cela veut dire que la lame n'est pas bien équilibrée ou qu'elle s'est déformée en heurtant quelque chose. Dans ce cas, la lame doit être réparée ou remplacée. Veuillez suivre les procédures d'entretien appropriées pour la lame.

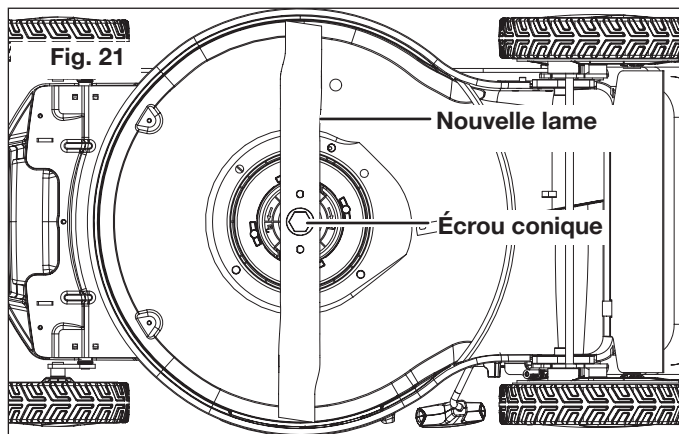
Changement de lame

IMPORTANT : utilisez uniquement les pièces de rechange spécifiées pour cette tondeuse. L'utilisation de pièces qui ne répondent pas aux spécifications de la machine d'origine peut être la cause d'un rendement anormal de la tondeuse à gazon et peut compromettre la sécurité de l'utilisateur.

1. Retirez les batteries et la clé de sécurité de la tondeuse à gazon.
2. Retournez la tondeuse sur son flanc pour pouvoir accéder au dessous du carter de lame.
3. Pour saisir la lame, utilisez un chiffon ou portez des gants résistants.
4. À l'aide d'un démonte-roue de 27 mm (non fourni), retirez l'écrou conique attachant la lame en le tournant dans le sens antihoraire, puis retirez la lame avec précaution (Fig. 19 et 20).



5. Montez la nouvelle lame dans la même position et attachez-la à l'aide de l'écrou conique (Fig. 21).

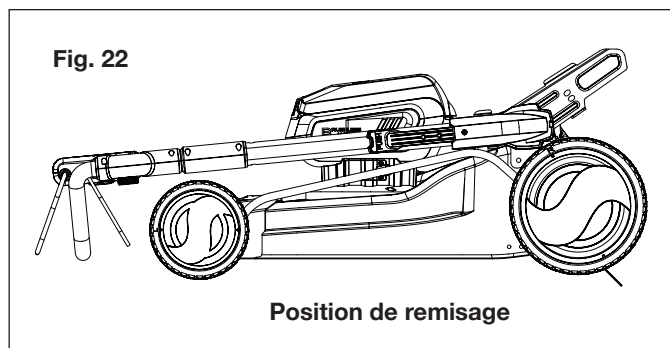


Remisage

Suivez les étapes ci-dessous pour préparer la tondeuse à gazon avant son remisage :

1. Retirez les batteries et la clé de sécurité du compartiment à batteries.
2. Retirez le sac à herbe. Réglez le levier de réglage de hauteur de coupe à la position la plus basse.
3. Nettoyez la tondeuse à l'aide d'un chiffon mouillé ou d'une brosse à main.

4. Inspectez soigneusement la tondeuse pour détecter la présence éventuelle de pièces usées, desserrées ou endommagées. Vérifiez les raccords et les vis et resserrez au besoin. Prenez particulièrement soin de la lame de la tondeuse et remplacez-la ou réaffûtez-la si elle présente des signes d'usure. Reportez-vous à la section Entretien de la lame.
5. Remisez la tondeuse à l'intérieur dans un endroit sec, propre, frais et hors de portée des enfants. Ne remisez pas la machine à proximité de matériaux corrosifs, par exemple de l'engrais ou du chlorure de sodium.
6. Ne recouvrez pas la tondeuse à gazon d'une bâche en plastique. Les couvertures en plastique retiennent l'humidité autour de la machine, ce qui peut l'endommager.
7. Tout en poussant le cadre supérieur de guidon pour l'insérer complètement dans le cadre inférieur de guidon, enfoncez le bouton de déverrouillage de guidon situé sur la barre intermédiaire du cadre de guidon.
8. Appuyez sans le relâcher sur le levier de serrage de guidon. Faites tourner doucement le cadre de guidon vers l'avant de la tondeuse jusqu'à ce que vous entendiez que le cadre de guidon se verrouille en position de remisage (Fig. 22).



Élimination

Recyclage et élimination

La machine est livrée dans un emballage qui l'empêche d'être endommagée pendant son expédition. Conservez l'emballage jusqu'à ce que vous soyez sûr que toutes les pièces ont été livrées et que la machine fonctionne correctement. Ensuite, recyclez l'emballage ou conservez-le pour le remisage de longue durée.



Symbole DEEE. Les déchets d'équipements électriques ne doivent pas être jetés avec les déchets ménagers. Veuillez les recycler dans les installations prévues à cet effet. Pour les réglementations de recyclage, communiquez avec les services publics locaux ou avec votre revendeur.

Mise en garde concernant les batteries et informations sur leur élimination

Éliminez toujours vos blocs-piles en vous conformant aux réglementations fédérales, provinciales ou territoriales et locales. Pour obtenir la liste des sites de recyclage, communiquez avec un organisme de recyclage de votre région.

⚠ MISE EN GARDE! Même déchargés, les blocs-piles emmagasinent une certaine énergie. Avant de les éliminer, utiliser du ruban isolant pour couvrir les bornes et empêcher ainsi les blocs-piles de provoquer un court-circuit, ce qui pourrait causer un incendie ou une explosion.

⚠ AVERTISSEMENT! Pour réduire le risque de blessure ou d'explosion, ne jamais brûler ou incinérer un bloc-piles, même s'il est endommagé, à plat ou complètement déchargé. En brûlant, des émanations et des matières toxiques sont émises dans l'atmosphère environnante.

1. Les batteries varient selon le type de machines, d'appareils ou d'outils. Consultez le manuel pour des renseignements spécifiques.
2. S'il en faut plusieurs, insérez uniquement des batteries neuves de même type dans votre outil, appareil ou machine.
3. Si, en les insérant, la polarité des blocs-piles n'est pas respectée, comme indiqué dans le compartiment à batteries ou dans le manuel, leur durée de vie pourrait être réduite ou ils pourraient fuir.
4. Ne mélangez pas des batteries anciennes et des neuves.
5. Ne mélangez pas des batteries alcalines, standard (carbone/zinc) ou rechargeables (au nickel-cadmium, au nickel-métal-hydrure ou au lithium-ion).
6. Ne jetez pas les blocs-piles au feu.
7. Les blocs-piles doivent être recyclés ou éliminés en observant les directives provinciales, territoriales ou locales.

Entretien, réparation et assistance technique

Si votre tondeuse à gazon sans cordon Sun Joe® 24V-X2-21LMSP nécessite une intervention technique ou un entretien, veuillez appeler le 1-866-SNOWJOE (1-866-766-9563) pour de l'aide.

Numéros de modèle et de série

Lorsque vous communiquez avec l'entreprise pour commander des pièces, vous devez fournir les numéros de modèle et de série de votre produit. Ceux-ci se trouvent sur l'étiquette autocollante apposée sur le caisson ou le guidon de votre tondeuse. Copiez ces numéros dans l'espace réservé ci-dessous.

Veuillez noter les numéros suivants sur le caisson ou le guidon de votre nouveau produit :																				
N° de modèle :																				
2	4	V	-	X	2	-	2	1	L	M	S	P								
N° de série :																				

24VCHRG-DPC-2

FCC (Commission fédérale des communications)

⚠ AVERTISSEMENT! Toute modification ou tout changement apporté à cet appareil et non approuvé par la partie à qui incombe la responsabilité de sa conformité pourrait annuler l'autorisation de l'utiliser.

Appareil de Classe B :

REMARQUE : ce matériel a été testé et il a été constaté qu'il est conforme aux limites des appareils numériques de Classe B, conformément à la Partie 15 des Règles de la FCC.

Ces limites sont conçues pour fournir une protection raisonnable contre le brouillage préjudiciable dans une installation résidentielle.

Ce matériel génère, utilise et peut rayonner une énergie de fréquence radio et, s'il n'est pas installé et utilisé conformément aux instructions, peut être à l'origine d'un brouillage préjudiciable aux communications radio.

Toutefois, il n'est pas exclu que le brouillage affecte une installation particulière.

Si cet appareil est à l'origine de brouillage préjudiciable à la réception radio et télévision, ce qui peut être déterminé en éteignant et en allumant l'appareil, l'utilisateur est invité à supprimer le brouillage en prenant une ou plusieurs des mesures suivantes :

- Réorienter ou repositionner l'antenne de réception.
- Augmenter la distance entre l'appareil et le récepteur.
- Brancher l'appareil dans la sortie d'un circuit différent de celui dans lequel le récepteur est branché.
- Pour de l'aide, consulter le revendeur ou un technicien radio/télévision qualifié.

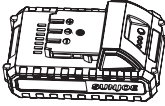
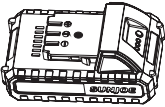


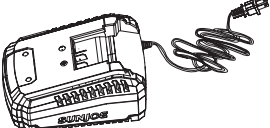
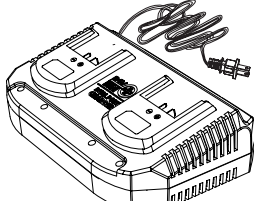

Dépannage

- Retirez les batteries et la clé de sécurité avant d'effectuer un entretien ou lorsque vous voulez vérifier que les pièces sont en bon ordre de marche.
- Pour éviter des ennuis inutiles, consultez le tableau suivant avant de communiquer avec un réparateur qualifié pour tout problème mécanique.

Problème	Cause possible	Solutions
La tondeuse ne réussit pas à démarrer	<ul style="list-style-type: none"> a) La clé de sécurité n'est pas insérée. b) Les batteries sont épuisées. c) Les batteries sont mal insérées. d) La commande du moteur ou de la lame est débrayée. e) Le châssis de tondeuse est coincé par de l'herbe ou des débris. f) L'herbe est trop haute. 	<ul style="list-style-type: none"> a) Insérez la clé de sécurité. b) Rechargez les batteries. c) Insérez les blocs-piles dans la tondeuse et enfoncez-les jusqu'à ce que vous entendiez un déclic. d) Appuyez d'abord sur le bouton-poussoir de sécurité, puis sur le levier marche/arrêt. e) Nettoyez le châssis de tondeuse. Assurez-vous que la lame tourne librement. f) Réglez la tondeuse à une hauteur de coupe haute. Levez légèrement les roues en appuyant sur le guidon vers le bas
La tondeuse s'arrête pendant la tonte	<ul style="list-style-type: none"> a) Les batteries sont épuisées. b) L'herbe est trop haute. c) Le plateau de coupe est bloqué par de l'herbe ou des débris. d) Les batteries ou le circuit électrique de la tondeuse sont trop chauds. 	<ul style="list-style-type: none"> a) Rechargez les batteries. b) Corrigez la hauteur de coupe. c) Nettoyez le châssis de tondeuse. Assurez-vous que la lame tourne librement. d) Laissez refroidir les batteries et la machine.
La tondeuse ne peut pas couper l'herbe régulièrement	<ul style="list-style-type: none"> a) Le terrain de la pelouse est accidenté ou plein de mauvaises herbes. b) La lame n'est pas assez affûtée. 	<ul style="list-style-type: none"> a) Réglez la hauteur de coupe. b) Affutez ou remplacez la lame.
La tondeuse ne peut pas tondre correctement	<ul style="list-style-type: none"> a) Le châssis de tondeuse est bloqué par de l'herbe ou des débris. b) L'herbe est trop humide. c) L'herbe est trop haute. d) La lame n'est pas assez affûtée. 	<ul style="list-style-type: none"> a) Nettoyez le châssis de tondeuse. Assurez-vous que la lame tourne librement. b) Attendez que l'herbe soit sèche. c) Réglez la hauteur de coupe à la position haute pour tondre la première fois et repassez la tondeuse après l'avoir réglée à la hauteur de coupe voulue. d) Affutez ou remplacez la lame.
La tondeuse est difficile à pousser	<ul style="list-style-type: none"> a) L'herbe est trop haute pour la couper. b) La lame ou l'arrière de la tondeuse est retenu par de l'herbe haute. 	<ul style="list-style-type: none"> a) Réglez plus haut la hauteur de coupe.
La tondeuse vibre à vitesse élevée	<ul style="list-style-type: none"> a) L'arbre du moteur est voilé. b) La lame n'est pas équilibrée. c) L'écrou conique de lame est desserré. 	<ul style="list-style-type: none"> a) Arrêtez le moteur, retirez les batteries et vérifiez si la machine est endommagée. Communiquez avec un réparateur qualifié. b) Équilibrez la lame en meulant chaque tranchant de façon identique ou remplacez la lame par une nouvelle. c) Serrez l'écrou conique de lame.

Accessoires en option

⚠️ AVERTISSEMENT! TOUJOURS utiliser des pièces de rechange et des accessoires Snow Joe® + Sun Joe® homologués. NE JAMAIS utiliser des pièces de rechange ou des accessoires qui ne sont pas destinés à être utilisés avec cette machine. Communiquez avec Snow Joe® + Sun Joe® si vous n'êtes pas sûr que l'utilisation d'une pièce de rechange ou d'un accessoire particulier avec votre machine soit sans danger. L'utilisation de tout autre accessoire ou de toute autre pièce détachée peut être dangereuse et pourrait provoquer des dommages corporels ou des détériorations d'origine mécanique.

Accessoires	Description	Modèle
<p>①</p> 	Batterie au lithium-ion 2,0 Ah iON+ 24V	24VBAT-LTE
<p>②</p> 	Batterie au lithium-ion 2,5 Ah iON+ 24V	24VBAT-LT
<p>③</p> 	Batterie au lithium-ion 4,0 Ah iON+ 24V	24VBAT
<p>④</p> 	Batterie au lithium-ion 5,0 Ah iON+ 24V	24VBAT-XR
<p>⑤</p> 	Chargeur rapide de batterie au lithium-ion iON+ 24V	24VCHRG-QC
<p>⑥</p> 	Double chargeur de batteries au lithium-ion iON+ 24V	24VCHRG-DPC
<p>⑦</p> 	Remplacement de lame de coupe	iON100V-21LM-BLD

REMARQUE : les accessoires sont sous réserve de changements sans que Snow Joe® + Sun Joe® soit pour autant tenue de donner un préavis desdits changements. Les accessoires peuvent être commandés en ligne sur le site sunjoe.com ou par téléphone en appelant le service à la clientèle Snow Joe® + Sun Joe® au 1-866-SNOWJOE (1-866-766-9563).



LA PROMESSE DE SNOW JOE® + SUN JOE® À SES CLIENTS

Vous êtes notre client et Snow Joe, LLC (« Snow Joe ») **SE MET EN QUATRE** pour vous servir. Nous nous efforçons de vous rendre l'utilisation de nos produits aussi plaisante que possible. Malheureusement, il peut arriver qu'un produit Snow Joe®, Sun Joe® ou Aqua Joe (« Produit ») ne fonctionne pas ou se casse dans des conditions d'utilisation normales. Nous pensons qu'il est important que vous sachiez ce que vous pouvez attendre de nous. C'est pourquoi nous avons une garantie limitée (« Garantie ») pour nos Produits.

NOTRE GARANTIE :

Snow Joe déclare et garantit que les Produits neufs, d'origine, électriques ou non électriques sont exempts de vices de matière ou de fabrication et, lorsqu'ils font l'objet d'une utilisation résidentielle et ménagère ordinaire, les garantit pendant une période de deux ans à compter de la date d'achat au détail par l'acheteur primitif auprès de Snow Joe ou d'un des revendeurs agréés de Snow Joe, preuve d'achat à l'appui. Étant donné que Snow Joe ne peut pas contrôler la qualité de ses Produits vendus par des revendeurs non agréés, sauf stipulation contraire de la loi, la présente Garantie ne couvre pas les Produits achetés auprès de vendeurs non agréés. Si votre Produit ne fonctionne pas ou si une pièce spécifique couverte par les modalités de la présente Garantie fait l'objet d'un problème quelconque, Snow Joe choisira (1) de vous envoyer une pièce de rechange gratuite, (2) de remplacer le Produit par un produit neuf ou comparable, gratuitement, ou (3) de réparer le Produit. Génial, n'est-ce pas?

La présente Garantie vous donne des droits judiciaires spécifiques, et vous pouvez également avoir d'autres droits qui peuvent varier d'une province ou d'un territoire à l'autre.

ENREGISTREMENT DU PRODUIT :

Snow Joe vous recommande vivement d'enregistrer votre Produit. Vous pouvez l'enregistrer en ligne sur le site snowjoe.com/register, ou en imprimant et en envoyant par courrier une carte d'enregistrement offerte en ligne sur notre site Web, ou par téléphone en appelant notre Service à la clientèle au **1-866-SNOWJOE (1-866-766-9563)**, ou encore en nous envoyant un courriel à l'adresse help@snowjoe.com. Le fait de ne pas enregistrer l'achat de votre Produit n'a aucune conséquence sur vos droits concernant la garantie. Toutefois, l'enregistrement de votre Produit permettra à Snow Joe de mieux répondre au moindre besoin que vous pourriez avoir en matière de service à la clientèle.

QUI PEUT REVENDIQUER LA COUVERTURE DE LA GARANTIE?

La présente Garantie est étendue par Snow Joe à l'acheteur et propriétaire primitif du Produit.

QU'EST-CE QUI N'EST PAS COUVERT?

La présente Garantie ne s'applique pas si le Produit a été utilisé commercialement, pour des travaux non résidentiels ou s'il fait l'objet d'une location. La présente Garantie ne s'applique pas non plus si le Produit a été acheté auprès d'un revendeur non agréé. La présente garantie ne couvre pas non plus les changements cosmétiques qui n'affectent pas le rendement. Les pièces d'usure comme les courroies, les tarières, les chaînes et les dents ne sont pas couvertes au titre de la présente Garantie et peuvent être achetées en ligne sur le site snowjoe.com ou en appelant le **1-866-SNOWJOE (1-866-766-9563)**.





A series of 20 horizontal lines for writing, spaced evenly down the page.



sunjoe.com