



SNOWJOE®

EN

# CORDLESS SNOW BLOWER – TOOL ONLY

## OPERATOR'S MANUAL

96V MAX\* | 21-INCH

A Division of Snow Joe, LLC

Model 24V-X4-SB21-CT

Form No. SJ-24V-X4-SB21-CT-880E-M

## IMPORTANT!

### Safety Instructions

### All Operators Must Read These Instructions Before Use

Read all instructions before using this snow blower. Basic safety precautions should always be followed to reduce the risk of fire, electric shock and personal injury.

### General Safety

**⚠️WARNING!** This machine is not intended for use by children or by unassisted, unsupervised persons whose physical, sensory or mental capabilities prevent them from using it safely. Children should be supervised to ensure that they do not play with the machine.

Before using your snow blower, please check it carefully for any defects. If you find any, do not use it. Instead, contact your authorized Snow Joe® + Sun Joe® dealer or call the Snow Joe® + Sun Joe® customer service center at 1-866-SNOWJOE (1-866-766-9563).

**⚠️WARNING!** When using the snow blower, basic safety precautions should always be followed to reduce the risk of personal injury. These include:

- **Stay alert** – Watch what you are doing. Use common sense. Do not operate the snow blower when you are tired or under the influence of drugs, alcohol, or other medication.
- **Dress properly** – Do not wear loose clothing or jewelry as such articles can become caught in moving parts. Tie up long hair. Protective gloves and non-slip footwear are recommended when working outdoors.
- **Usage** – This snow blower is intended for use on paved surfaces. Do not use on gravel, stone or other unpaved surfaces. Do not use this snow blower for any job except for what it is intended for.
- **Personal protective equipment** – Always wear safety glasses while operating the snow blower.
- **Do not force the snow blower** – Use the snow blower at the rate for which it was designed to ensure optimal performance and safe operation.
- **Do not overreach** – Keep proper footing and balance at all times. Watch for uneven surfaces and do not overreach. In case you fall or collide with the snow blower, inspect the unit for any damages or cracks. When stepping backwards, be careful to avoid obstacles behind you.

- **Moving parts** – Keep your face, hair, clothing, hands, and feet away from moving parts. All guards and safety attachments must be installed properly before using the machine. Shut off and disconnect the battery packs before touching any parts other than the handles and switch.

**⚠️WARNING!** If the snow blower strikes any object, follow these steps:

1. Stop the snow blower and remove the battery packs.
2. Inspect for damage.
3. Repair any damage before restarting and operating the snow blower.

**⚠️WARNING!** Always disengage the switch bar lever, and disconnect the battery packs; wait for all movement to stop before making any adjustments, inspecting, servicing, changing accessories or cleaning the snow blower. Any such operation should be performed after rotating parts inside the snow blower stop completely. Such preventive safety measures reduce the risk of starting the machine accidentally.

**⚠️WARNING!** When replacing any parts, you must strictly observe the instructions and procedures described in this user manual. Special care should be paid to any rubber parts, since these parts may increase the engine load and decrease its mechanical power if damaged.

**⚠️WARNING!** If you notice that the snow blower is not running properly or hear abnormal sounds from the engine when it is in use, immediately stop the machine, disconnect the battery packs, and contact Snow Joe® + Sun Joe® customer service center at 1-866-SNOWJOE (1-866-766-9563).

### Work Area Safety

- **Work area** – Always inspect the area where the machine is to be used and operate it in a well-lit environment.
- **Keep bystanders away** – All bystanders and pets should be kept a safe distance away from the work area.

### Maintenance + Storage

**⚠️WARNING!** Do not use detergents, acids, alkaline solutions, bleaches or solvents such as acetone to clean your snow blower. These substances may damage the plastic parts of the machine.

- **Store indoors** – When not in use, the machine should be stored indoors in a dry place inaccessible by children.

\*Generates 96V max with four 24V lithium-ion batteries. Initial no-load voltage, per fully charged battery, peaks at 24V. Nominal voltage under typical load is 21.6V.

- **Inspect before use** – Visually inspect for any loose fasteners or worn, missing or damaged parts. Make sure all fasteners are tight to assure the machine is in safe working condition.

## Battery & Charger Safety Instructions

**NOTE:** This unit is the tool only. The battery and the charger are not included. They must be purchased separately.

Model 24V-X4-SB21-CT is compatible with the 24V iON+ System batteries and chargers. See page 17 for more information.

We pay a great deal of attention to the design of every battery pack to ensure that we supply you with batteries that are safe, durable and have a high energy density. The battery cells have a wide range of safety devices. Each individual cell is initially formatted and its electrical characteristic curves are recorded. This data is then used exclusively to assemble the best possible battery packs.

Despite all the safety precautions, caution must always be exercised when handling batteries. The following points must be obeyed at all times to ensure safe use. Safe use can only be guaranteed if undamaged cells are used. Incorrect handling of the battery packs can cause cell damage.

**IMPORTANT!** Analyses confirm that incorrect use and poor care of high-performance batteries are the main factors responsible for product damage and/or personal injury.

**⚠ WARNING!** Use only approved replacement batteries; other batteries may damage the machine and cause it to malfunction, which can lead to serious personal injury.

**⚠ WARNING!** Do not use a battery pack or machine that is damaged or modified. Damaged or modified batteries may exhibit unpredictable behavior resulting in fire, explosion or risk of injury.

Have your battery packs serviced by a qualified repair person using only identical replacement parts. This will ensure that the safety of the battery packs is maintained.

**⚠ CAUTION!** To reduce the risk of injury, use only official 24V iON+ designated chargers with the 24V iON+ battery packs. The use of other batteries or chargers poses a risk of fire, personal injury and damage. Do not modify or attempt to repair the machine or the battery packs except as indicated in the instructions for use and care. Do not wire a battery pack to a power supply or car cigarette lighter, as such misuse will permanently disable or damage the battery packs.

**⚠ WARNING!** To reduce the risk of electric shock, always unplug the charger before performing any cleaning or maintenance. Do not allow water to flow into the charger. Use a Ground Fault Circuit Interrupter (GFCI) to reduce shock hazards.

- **Avoid dangerous environments** – Do not charge the battery packs in rain, snow or in damp or wet locations. Do not use the battery packs or charger in the presence of explosive atmospheres (gaseous fumes, dust or flammable materials) because sparks may be generated when inserting or removing the battery packs, which could lead to a fire.

- **Charge in a well-ventilated area** – Do not block the charger vents. Keep them clear to allow for proper ventilation. Do not allow smoking or open flames near a charging battery pack. Vented gases may explode.

**NOTE:** The safe temperature range for the batteries are 41°F (5°C) to 105°F (40.5°C). Do not charge the batteries outside in freezing weather; charge it at room temperature.

- **Maintain charger cord** – When unplugging the charger, pull the plug, not the cord, from the receptacle to reduce the risk of damage to the electrical plug and cord. Never carry the charger by its cord or yank it by the cord to disconnect it from the receptacle. Keep the cord away from heat, oil and sharp edges. Make sure the cord will not be stepped on, tripped over or subjected to damage or stress when the charger is in use. Do not use the charger with a damaged cord or plug. Replace a damaged charger immediately.
- **Do not use an extension cord unless it is absolutely necessary** – Using the wrong, damaged or improperly wired extension cord poses a risk of fire and electric shock. If an extension cord must be used, plug the charger into a properly wired 16 gauge or larger extension cord with the female plug matching the male plug on the charger. Make sure that the extension cord is in good electrical condition.
- **Do not expose the tool or battery packs to fire** – Exposure to fire or temperatures above 265°F (130°C) may cause the battery packs to explode, causing personal injury or damage. Toxic fumes and materials are created when battery packs are ignited.
- **Check the rated input for the charger before using** – The charger must be plugged into an appropriate receptacle.
- **Use only recommended attachments** – Use of an unapproved attachment may result in risk of fire, electric shock or personal injury.
- **Do not crush, drop or damage battery packs** – Do not use the battery packs or charger if they have sustained a sharp blow, been dropped, run over or have been damaged in any way (i.e. pierced with a nail, hit with a hammer, stepped on, etc.).
- **Do not disassemble** – Incorrect reassembly may pose a serious risk of electric shock, fire or exposure to toxic battery chemicals. If the batteries or charger is damaged, contact an authorized Snow Joe® + Sun Joe® dealer or call the Snow Joe® + Sun Joe® customer service center at 1-866-SNOWJOE (1-866-766-9563) for assistance.
- **Battery chemicals cause serious burns** – Never let a damaged battery pack contact the skin, eyes or mouth. If damaged, battery chemicals will react violently with air. Use rubber or neoprene gloves to safely dispose of the battery. If skin is exposed to battery chemicals, wash the affected area with soap and water. If eyes are exposed to battery chemicals, immediately flush with water for 20 minutes and seek medical attention. Remove and dispose of contaminated clothing.














- **Risk of short circuit** – A battery pack will short circuit if a metal object makes a connection between the positive and negative contacts on the battery pack. Do not place a battery pack near anything that may cause a short circuit, such as paperclips, coins, keys, screws, nails and other metallic objects. A short-circuited battery pack poses a risk of fire and severe personal injury.
- **Store your battery packs and charger in a cool, dry place** – Ideally, store the battery packs at 59°F (15°C) and charged to at least 40%. Do not store the battery packs or charger where temperatures may exceed 105°F (40.5°C), such as in direct sunlight or inside a vehicle, or where temperatures may drop below 41°F (5°C).
 

**NOTE:** Prevent the battery packs from freezing. Battery packs that were stored below 32°F (0°C) for more than 60 minutes must be discarded.
- **Charge before use** – The battery packs supplied with your tool is only partially charged. The battery packs have to be fully charged before using the snow blower for the first time.
- **Battery Aging** – Lithium-ion batteries are subject to a natural aging process. A battery pack must be replaced at the latest when its capacity falls to just 80% of its capacity when new. Weakened cells in an aged battery pack are no longer capable of meeting the high power requirements needed for the proper operation of your tool, and therefore pose a safety risk.
- **Do not exhaustively discharge the battery packs** – A complete discharge will damage the battery cells. The most common cause of exhaustive discharge is lengthy storage. Stop working as soon as the performance of a battery falls noticeably or the electronic protection system triggers. For optimum battery performance, charge the battery packs frequently. Place the battery packs in storage only after it has been fully charged.
- **Do not overload the battery packs** – Protect the tool and batteries from overloading. Overloads will quickly result in overheating and cell damage inside the battery housing even if it is not apparent externally. For safety reasons, the integrated protective cutoff will activate to switch off the equipment. After regular use, allow the battery packs to cool to room temperature before recharging them.
 

**IMPORTANT!** Do not attempt to turn on the tool if the protective cutoff has been activated. This may damage the battery packs.
- **Outlet voltage** – Please check the data marked on the rating label of the battery charger. Be sure that the voltage of the power supply matches that marked on the rating label. Never connect it to a different mains voltage. Never modify the plug in any way. Do not use any adapter plugs with grounded tools.
- **Charger use** – Do not use the supplied battery charger to charge other types of battery packs or tools.
- **Do not overcharge battery packs** – Unplug the charger when not in use. Frequently overcharging the battery packs will result in cell damage. Do not leave batteries charging for days on end.
- **Battery pack abnormalities** – Do not use batteries that have suffered swelling or deformation or those that exhibit other atypical symptoms (gassing, hissing, cracking, etc.).
- **Electrostatic discharge** – When handling batteries, be wary of electrostatic charge. Electrostatic discharges can damage the electronic protection system and the battery cells. To avoid electrostatic discharges, never touch the battery terminals.

# Safety Symbols

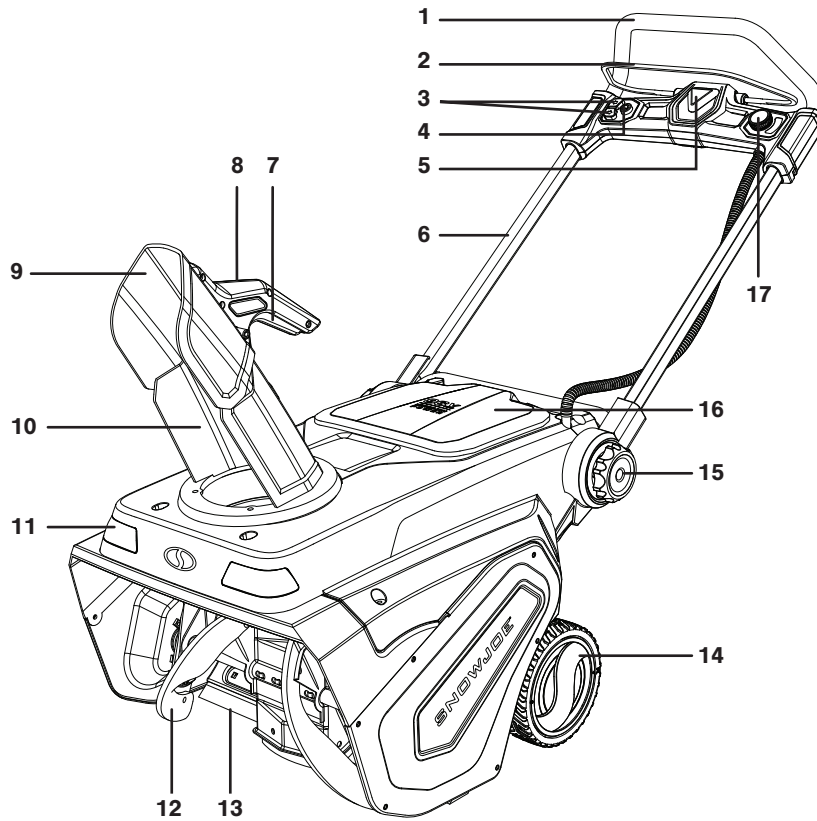
The following table depicts and describes safety symbols that may appear on this product. Read, understand, and follow all instructions on the tool before attempting to assemble and operate.

Symbols	Descriptions	Symbols	Descriptions
	<b>READ THE OPERATOR'S MANUAL</b> – Read, understand, and follow all instructions in the user manual before attempting to assemble and operate.		<b>SAFETY ALERT</b> – Indicates a precaution, a warning, or a danger.
	<b>WEAR EYE AND HEARING PROTECTION</b> – For protection against injury, wear ear defenders and safety goggles.		<b>WARNING!</b> Do not expose the tool to rain or wet conditions. Keep dry.
	Wear protective gloves and non-slip footwear when using the tool and handling debris.		<b>CAUTION!</b> Beware of stones and other foreign objects that could be thrown from the machine.
	<b>DANGER!</b> Cutting/dismemberment hazard – Keep hands away from the rotating auger.		<b>DANGER!</b> Cutting/dismemberment hazard – Keep feet away from the rotating auger.
	Keep hands, feet and clothing away from the rotating auger to avoid injury.		Do not use hands to unclog the chute.
	The rotating part will continuously run for several seconds after you turn off the machine.		Keep bystanders a minimum distance of 50 ft (15 m) away from the work area.
	Only use battery charger indoors.		



# Know Your 21" Snow Blower

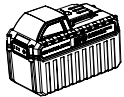
Read the owner's manual and safety instructions carefully before operating the snow blower. Compare the illustration below to the product in order to become familiar with the location of the various controls and adjustments. Save this manual for future reference.




- |   |                            |                            |
|---|----------------------------|----------------------------|
| 1. Soft grip                                | 7. Chute deflector trigger | 13. Scraper bar            |
| 2. Switch bar level                         | 8. Chute deflector handle  | 14. Wheels (2)             |
| 3. Chute rotate buttons<br>(left and right) | 9. Chute deflector         | 15. Handle frame locks (2) |
| 4. LED light button                         | 10. Discharge chute        | 16. Battery compartment    |
| 5. Safety button                            | 11. LED lights (2)         | 17. Auger speed dial       |
| 6. Handle frame                             | 12. Auger blades           |                            |

**SOLD SEPARATELY**


Battery\* + Charger options available at [snowjoe.com](http://snowjoe.com)



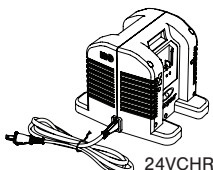
24VBAT-XR12



24VCHRG-QC



24VCHRG-DPC



24VCHRG-HS-DPC

\*FOR USE WITH  
24V iON+ 12.0 Ah  
BATTERIES ONLY.

## Technical Data

Brushless Motor.....	2800 W	Directional Control .....	180° adjustable chute
Clearing Width.....	21 in. (53 cm)	LED Lights.....	3 W
Depth of Snow Cut Max .....	12 in. (30 cm)	Tire Size.....	7 in. (18 cm)
Throw Distance Max .....	30 ft (9 m)	Battery Voltage Max* .....	96V DC (4 x 24V)
Rotor.....	2-blade paddle auger	Charger Input .....	120V AC   60 Hz   160 W
No Load Speed.....	1400 ± 100 rpm (high) 1200 ± 100 rpm (low)	Charger Output .....	26V DC   2.2 A (each socket)
Stages.....	Single stage	Charge Time Max .....	6 hours
		Net Weight.....	57.3 lbs (26 kg)

\*Generates 96V max with four 24V lithium-ion batteries. Initial no-load voltage, per fully charged battery, peaks at 24V. Nominal voltage under typical load is 21.6V.

# Unpacking

## Carton Contents:

- Cordless snow blower with handle frame
- Discharge chute assembly
- Discharge chute screws (x3)
- Hex key
- Manual with registration card

**NOTE:** In order to operate this cordless snow blower you will need 24V iON+ System batteries and chargers. See page 17 for battery options and specifications, or visit snowjoe.com.

1. Carefully remove the cordless snow blower and check to see that all of the above items are supplied.
2. Inspect the product carefully to make sure no breakage or damage occurred during shipping. If you find damaged or missing parts, DO NOT return the unit to the store. Please call the Snow Joe® + Sun Joe® customer service center at 1-866-SNOWJOE (1-866-766-9563).
3. **NOTE:** Do not discard the shipping carton and packaging material until you are ready to use the cordless snow blower. The packaging is made of recyclable materials. Properly dispose of these materials in accordance with local regulations or save the packaging for long-term product storage.

**IMPORTANT!** The equipment and packaging material are not toys. Do not let children play with plastic bags, foils or small parts. These items can be swallowed and pose a suffocation risk!

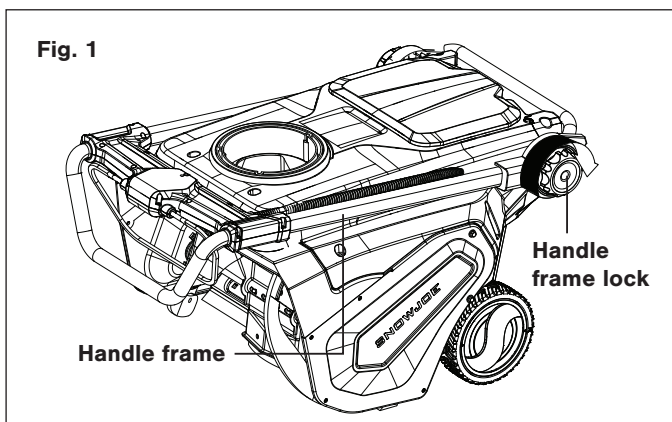
## Assembly

**⚠ WARNING!** To avoid serious personal injury, read and understand all safety instructions provided.

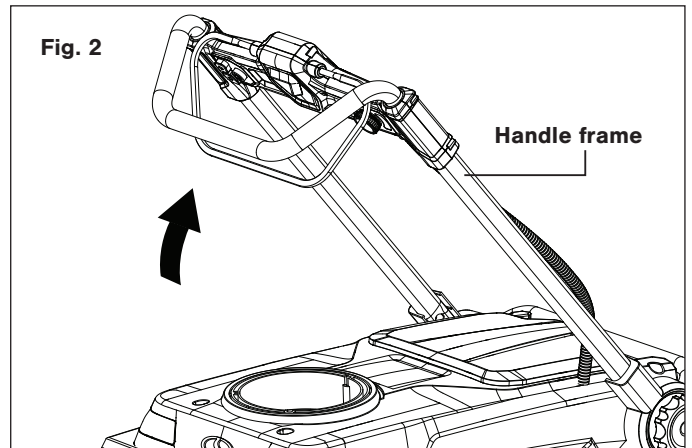
**⚠ WARNING!** Unpacking and assembly should be completed on a flat and stable surface, with adequate space for moving the machine and its packaging.

## Adjusting the Handle Frame

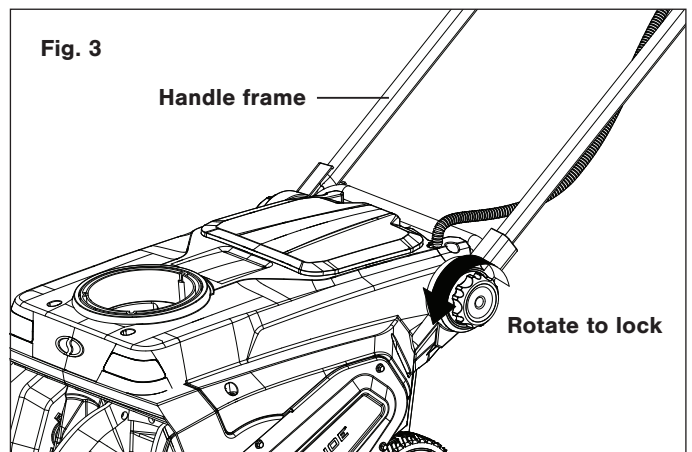
1. Unlock the handle frame by rotating the handle frame locks on both sides clockwise (Fig. 1).



2. Rotate the handle frame up in a comfortable operation position (Fig. 2).

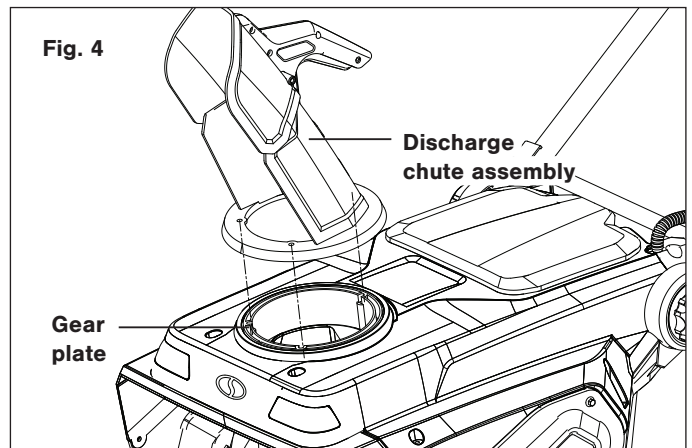


3. Lock the handle frame in position by rotating the handle frame locks on both sides counter-clockwise (Fig. 3).

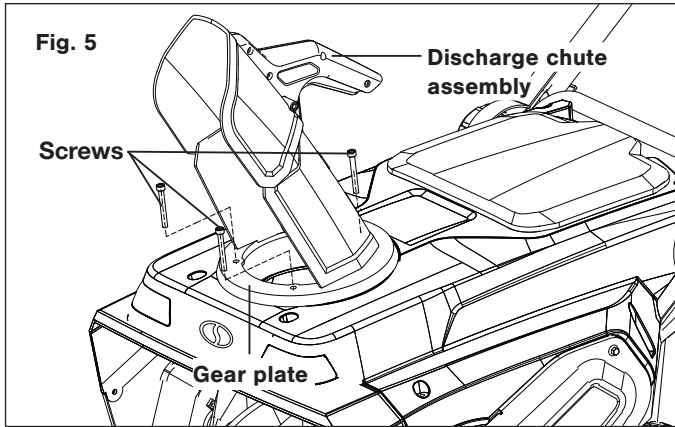


## Discharge Chute Assembly

1. Place the discharge chute assembly onto the gear plate, aligning the 3 holes in the gear plate, and push down until the chute is flush and flat against the housing (Fig. 4).



- Use the 3 discharge chute screws to secure the discharge chute assembly to the gear plate as shown. Tighten with the provided hex key (Fig. 5).



## Battery Pack Operation

The equipment is powered by 4 lithium-ion batteries. The battery packs are completely sealed and maintenance free.

### TOOL ONLY BATTERY + CHARGER SOLD SEPARATELY

In order to operate this cordless snow blower you will need four batteries and a charger from the 24V iON+ System. See page 17 for battery and charger options and specifications, or for more information visit [snowjoe.com](http://snowjoe.com).

**⚠ WARNING!** The cordless snow blower can only be powered by four of the batteries together. One battery cannot provide sufficient power to the tool. Make sure to use four batteries of the same voltage and the same capacity. Using the tool with batteries of different capacities will cause damage to the batteries.

## Battery Charge Level Indicator

The battery packs are equipped with a push button for checking the charge level. Simply press the push button to read off the battery charge level from the LEDs of the battery indicator:

- All 3 level monitoring LEDs are lit: Battery charge level is high.
- 2 level monitoring LEDs are lit: Battery charge level is decreasing. Stop work as soon as possible.
- 1 level monitoring LED is lit: Battery is flat. Stop work IMMEDIATELY and charge the battery. Otherwise, the battery's service life will be greatly shortened.

Lights	Light Indicators
	Charge level button
	The battery is at 30% capacity and requires charging
	The battery is at 60% capacity and requires charging soon
	The battery is at full capacity

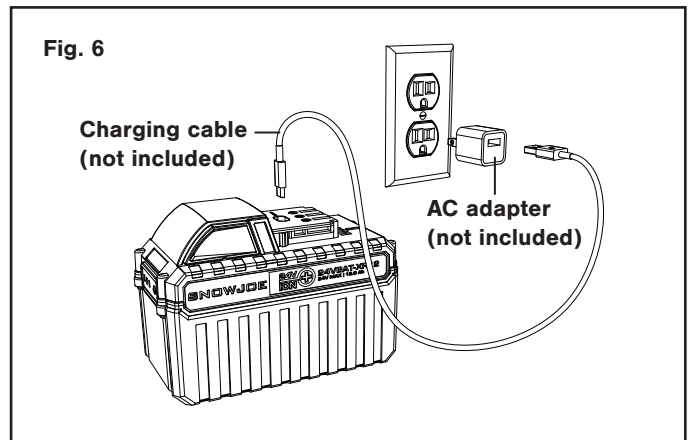
**NOTE:** If the charge level button does not appear to be working, place the battery pack on the charger and charge as needed.

**NOTE:** Immediately after using the battery packs, the charge level button may display a lower charge than it will if checked a few minutes later. The battery cells "recover" some of their charge after resting.

## USB Charging Port

Using a USB-C charging cable (not included), plug the USB-C connector into the battery. Then plug the other end of the cable into an AC adapter (not included) for charging at an electrical outlet (Fig. 6).

The battery indicator LEDs will illuminate to indicate charging progress. All three LEDs will light up once the battery is fully charged, at which point unplug the battery from the charging cable.



**NOTE:** You may also charge the battery using other USB devices such as computers.

**NOTE:** When disconnected from a power source, the USB-C port can also be used to charge other electronic devices such as smartphones and tablets.

# Charger Operation

## TOOL ONLY BATTERY + CHARGER SOLD SEPARATELY

In order to operate this cordless snow blower you will need four batteries and a charger from the 24V iON+ System. See page 17 for battery and charger options and specifications, or for more information visit snowjoe.com.

**⚠ WARNING!** Charge only 24V iON+ lithium-ion battery packs with their compatible 24V iON+ lithium-ion chargers. Other types of batteries may cause personal injury and damage.

To reduce the risk of electric shock, do not allow water to flow into the charger's AC/DC plug.

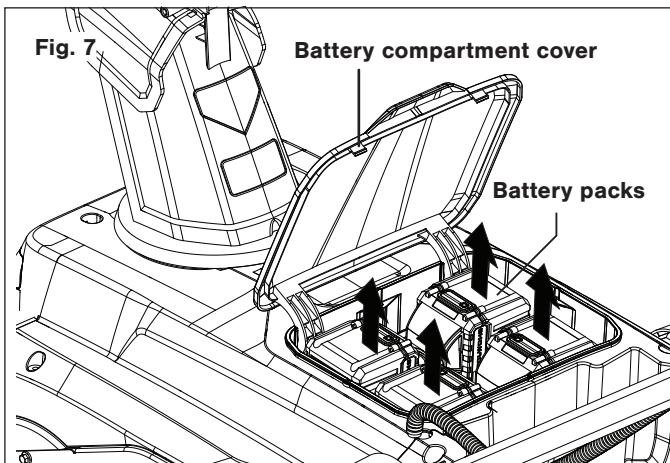
## When to Charge the 24V iON+ Lithium-ion Batteries

**NOTE:** The 24V iON+ lithium-ion battery packs do not develop a “memory” when charged after only a partial discharge. Therefore, it is not necessary to run down the battery pack before inserting the charger plug.

- Use the battery indicator lights to determine when to charge your 24V iON+ lithium-ion battery packs.
- You can “top-off” your battery packs’ charge before starting a big job or after a long day of use.

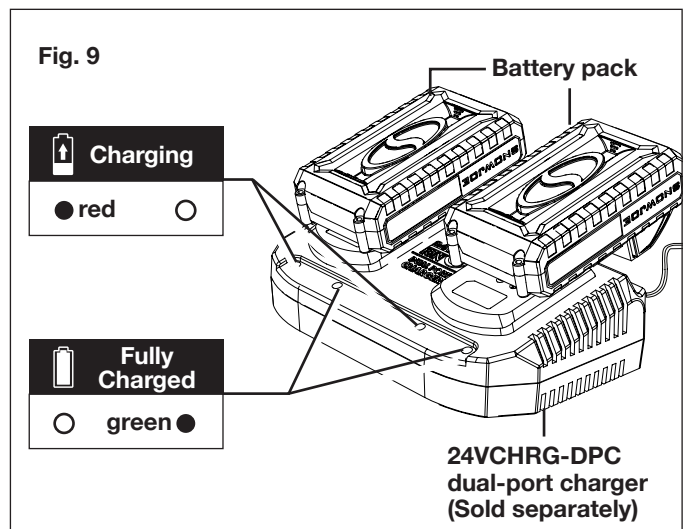
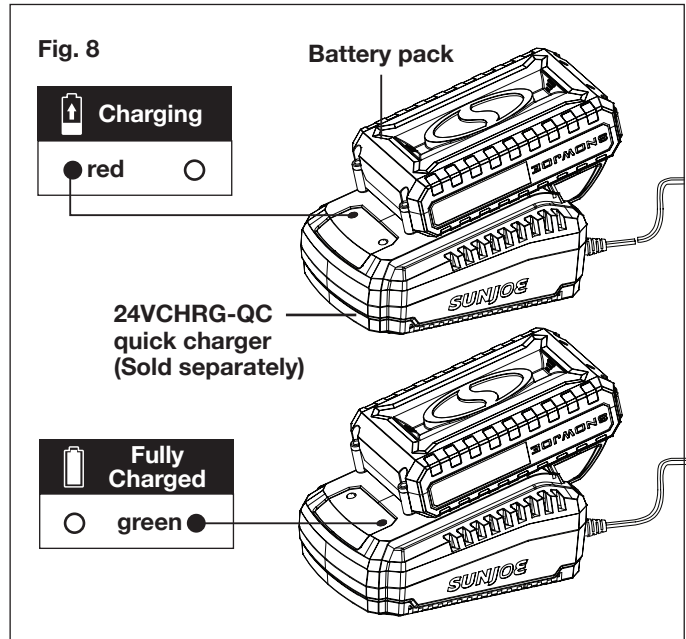
## Charging the Batteries

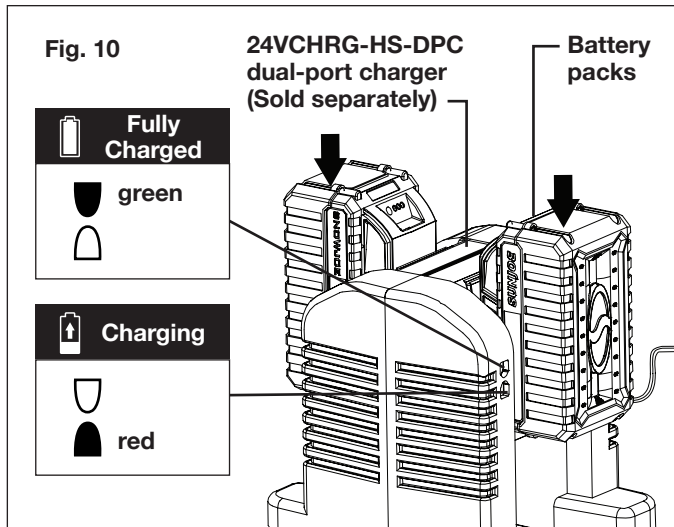
1. Open the battery compartment cover, and push the push lock buttons on the batteries to pull the battery packs out from the battery compartment (Fig. 7).



2. Depending on your Snow Joe® + Sun Joe® charger model, how to recharge your lithium-ion battery will vary. You may either insert your 24-volt battery into the 24VCHRG-QC Quick Charger (sold separately), 24VCHRG-DPC Dual-port Charger (sold separately), or the 24VCHRG-HS-DPC High Speed Dual-port Charger (sold separately).

3. The battery indicator LEDs will illuminate one by one during the charging process. Unplug the charger immediately when the 3 LEDs are all illuminated.
4. The 24VCHRG-QC Quick Charger (sold separately), 24VCHRG-DPC Dual-port Charger (sold separately), and the 24VCHRG-HS-DPC High Speed Dual-port Charger (sold separately) are also equipped with additional charging indicating lights which will indicate the charging status (Figs. 8 – 10).





**CAUTION!** FIRE HAZARD. When disconnecting the charger from the battery, be sure to unplug the charger from the outlet first, then disconnect the charger from the battery.

**WARNING!** The chargers do not automatically turn off when the battery is fully charged. Please take care not to leave the battery plugged into the charger. Switch off or unplug the charger at the mains when charging is complete.

5. Timely recharging of the battery will help prolong the battery's life. You must recharge the battery pack when you notice a drop in the equipment's power.

**IMPORTANT!** Never allow the battery pack to become fully discharged as this will cause irreversible damage to the battery.

6. When charging is complete, remove the battery from the charger by pulling the push lock button and sliding the battery backward to unlock it from the charger.

## Charging a Hot or Cold Battery Pack

The green indicator lights on the charger base indicates that the battery packs' temperatures are outside the charging range. Once the packs are within the acceptable range, normal charging will take place and the red light will be continuous. Hot or cold battery packs may take longer to charge.

Lithium-Ion Charging Status			
Battery Pack Temperature	Charger Base Indicator Light	Battery Pack Indicator Light	Charging Status
Too hot	Green	Flashing together	Not charging
Normal range	Red	Flashing one by one	Normal charging
Too cold	Green	Flashing together	Not charging

## Operations

**WARNING!** AVOID INJURY. Read and understand the entire safety section before proceeding.

**NOTE:** Before inserting the batteries, verify that the snow blower's auger and rubber plates are firmly secured. Perform a test run to ensure that the rotor turns freely.

### TOOL ONLY BATTERY + CHARGER SOLD SEPARATELY

In order to operate this cordless snow blower you will need four batteries and a charger from the 24V iON+ System. See page 17 for battery and charger options and specifications, or for more information visit [snowjoe.com](http://snowjoe.com).

## Starting + Stopping

**WARNING!** The auger starts rotating immediately after the snow blower is switched on. Keep hands and feet away from the auger.

1. Open the battery compartment cover and insert the four batteries in until they click into place (Fig. 11). Close the battery compartment cover.



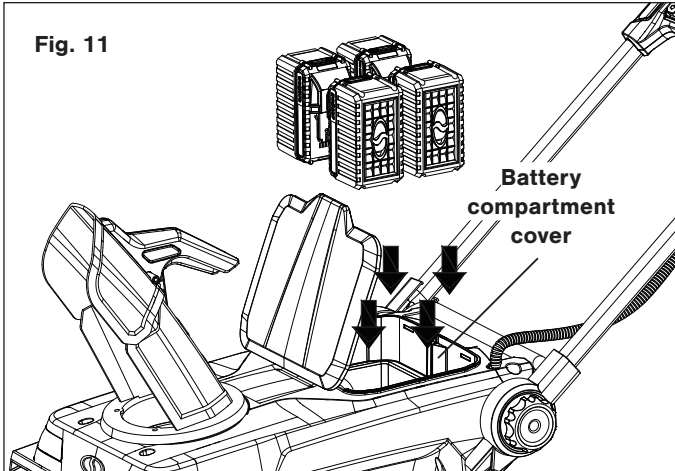


Fig. 11

Battery compartment cover

2. To switch the snow blower ON, press the safety button, then squeeze the switch bar lever (Fig. 12).

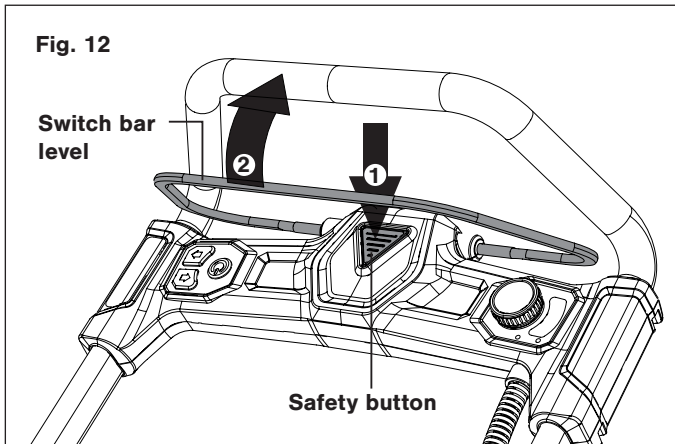


Fig. 12

Switch bar level

Safety button

3. Once the snow blower starts, release the safety button and proceed with operation.
4. To power OFF, release the switch bar lever.

## Adjust Auger Speed

This snow blower is equipped with auger speed adjustment system, which can set the auger speed from low to high. Follow the instruction to set the auger speed to fit in the working environment. Consider the working time, snow volume, and the surroundings when adjusting the auger speed. In general, lower auger speed provides longer battery runtime, but smaller plowing capacity and shorter throw distance. Check attached table for the specs that can be affected by the auger speed.

	MIN. Auger Speed	MAX. Auger Speed
Throw Distance	25 ft (7.6 m)	30 ft (9 m)

1. To increase the auger speed, scroll the speed adjustable

dial counterclockwise with the switch bar level squeezed (Fig. 13).

2. To reduce the auger speed, scroll the speed adjustable dial clockwise with the switch bar lever squeezed (Fig. 13).

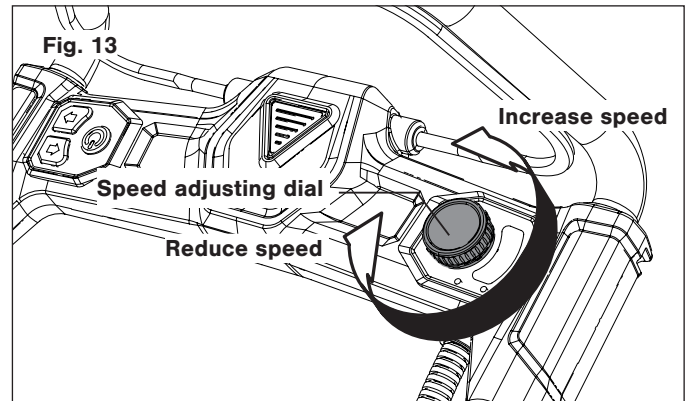


Fig. 13

Increase speed

Speed adjusting dial

Reduce speed

## Changing Throw Direction and Throw Height

**⚠ WARNING!** Never direct the snow discharge chute at the operator, at bystanders, at vehicles or at nearby windows. The discharged snow and foreign objects accidentally picked up by the snow blower can cause serious damage and personal injury.

Always orient the discharge chute in the opposite direction from where you, bystanders, surrounding vehicles or windows are located.

1. The discharge chute can be adjusted 180 degrees by pressing the chute rotate button in the desired direction (Fig. 14).

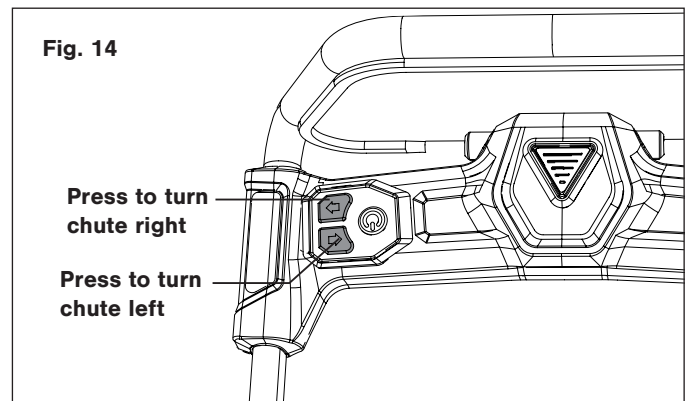
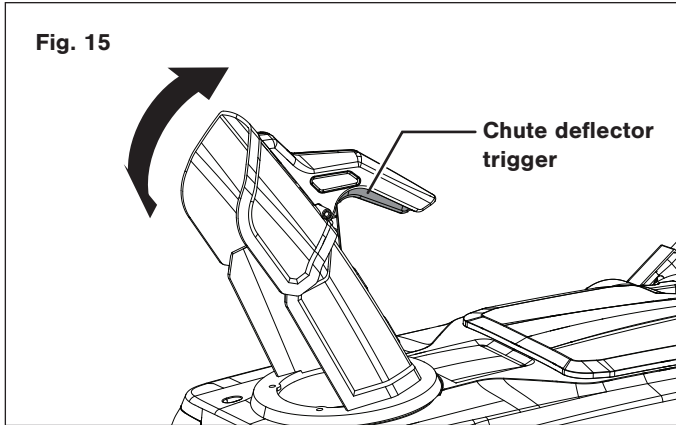


Fig. 14

Press to turn chute right

Press to turn chute left

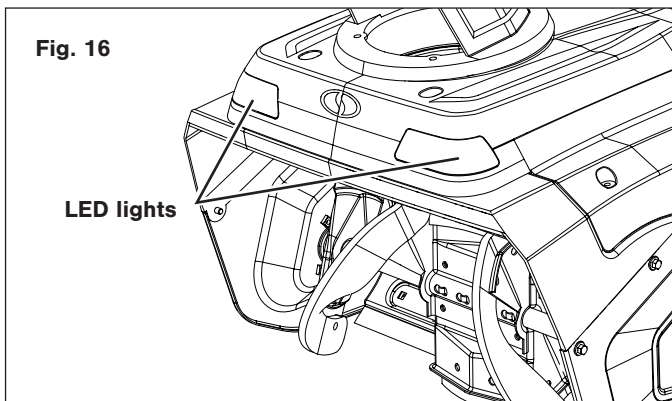
2. The chute deflector on the top of the discharge chute controls the height of the snow stream. To adjust the height that the snow is thrown, squeeze the trigger on the chute-deflector handle, and then raise/lower the chute deflector. Release the trigger on the chute deflector handle to lock the chute deflector in place (Fig. 15).



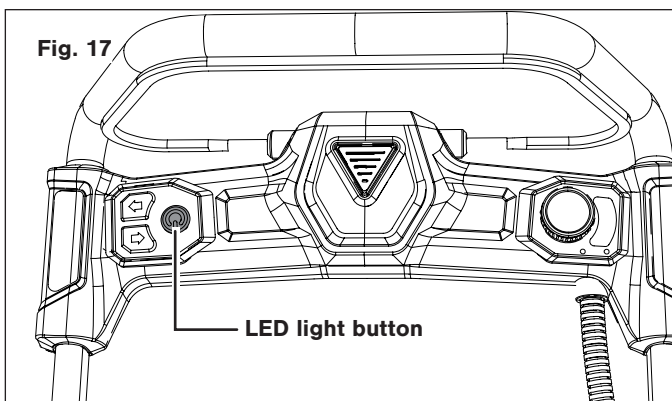
**NOTE:** ALWAYS position discharge chute deflector at a safe angle before engaging the auger. DO NOT throw snow any higher than necessary.

## LED Headlights

The LED headlights are located on the front of the snow blower (Fig. 16).



1. To turn on the LED light, press the LED light button (Fig. 17).



2. To turn off, press the LED light button again.

**NOTE:** After you have finished using your snow blower, remember to turn OFF the LED light button.

## Operating Tips

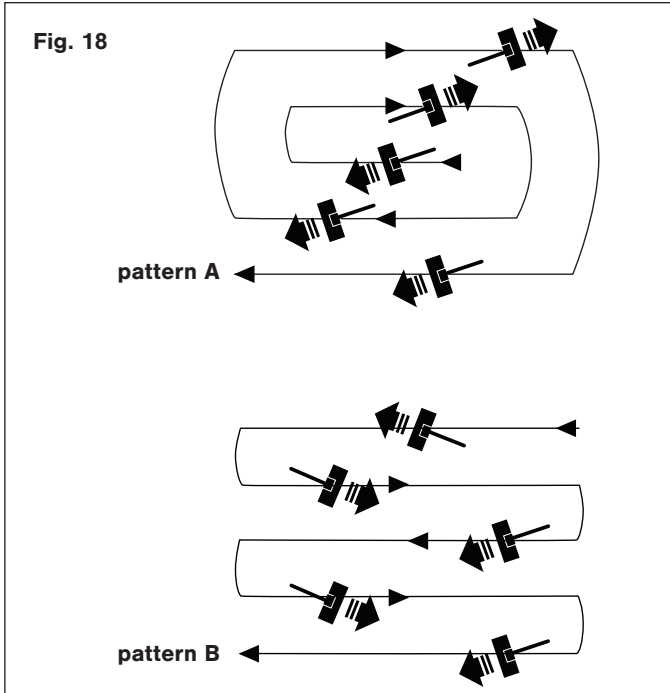
**⚠️ WARNING!** Foreign objects, such as rocks, broken glass, nails, wire, or string, can be picked up and thrown by the snow blower, causing serious personal injury. Remove all foreign objects from the area to be plowed before operating the snow blower.

Snow is best removed as soon as possible after snow fall.

1. Keep the area of operation free of foreign objects that can become thrown by the blades. Perform a thorough inspection of the area since some objects may be hidden from view by surrounding snow. If the snow blower hits an obstruction or picks up a foreign object during use, stop the snow blower, remove the battery, remove the obstruction, and inspect the unit for damage. Repair or replace any damaged part before restarting and operating the unit.
2. Keep children, pets, and bystanders away from the area of operation. Be aware that the normal noise of the machine when turned on may make it difficult for you to hear approaching people.
3. To clear an area, run unit in an overlapping series of paths. For large areas, start in the middle and throw snow to each side, so snow is not cleared more than once.
4. Note the wind direction. If possible, move in the same direction as the wind so that the snow is not thrown against the wind (and thus back into your face and on the just cleared path).
5. Do not push the snow blower with excessive force. Do not exceed the unit's intake or throw rate.
6. Some parts of the snow blower may freeze under extreme temperature conditions. Do not attempt to operate the snow blower with frozen parts. If the parts freeze while the snow blower is in use, stop the snow blower, remove the battery, and inspect for frozen parts. Free all parts before restarting or operating the snow blower. Never force controls that have frozen.
7. For larger areas, a definite pattern of operation is required to thoroughly clean an area of snow. These patterns will avoid throwing snow in unwanted places, as well as eliminate the need for a second removal of snow (Fig. 18).

Pattern A: Throw the snow to the right or left side where it is possible. For areas such as a long driveway, it is advantageous to start in the middle. Plow from one end to the other, throwing snow to both sides.

Pattern B: If the snow can only be thrown to one side of the area to be cleared, start on the opposite side.



- Use only mild soap on a damp cloth to clean the battery packs and chargers, keeping away from all electrical contacts. Certain cleaning agents and solvents are harmful to plastics and other insulated parts. Some of these include gasoline, turpentine, lacquer thinner, paint thinner, chlorinated cleaning solvents, ammonia and household detergents containing ammonia. Never use flammable or combustible solvents around battery packs, battery chargers or tools.
- The 24V iON+ lithium-ion battery chargers have no serviceable parts.

## Replacing Scraper Bar

**IMPORTANT!** Damage to auger housing will result if the scraper bar wears down too far.

To replace scraper bar:

1. Position unit on a hard, flat, smooth level surface.
2. Detach the worn scraper bar from the snow blower by removing the 4 sets of nuts, washers and bolts that hold it in place (Fig. 19).
3. Install the new scraper bar and fasten it securely to the snow blower with the original sets of nuts, washers and bolts.

## Maintenance

To order genuine replacement parts or accessories for the Snow Joe® 24V-X4-SB21-CT cordless snow blower, please visit [snowjoe.com](http://snowjoe.com) or contact the Snow Joe® + Sun Joe® customer service center at 1-866-SNOWJOE (1-866-766-9563).

**⚠ WARNING!** Make sure to turn off the switch and remove the batteries before performing any maintenance task on your snow blower.

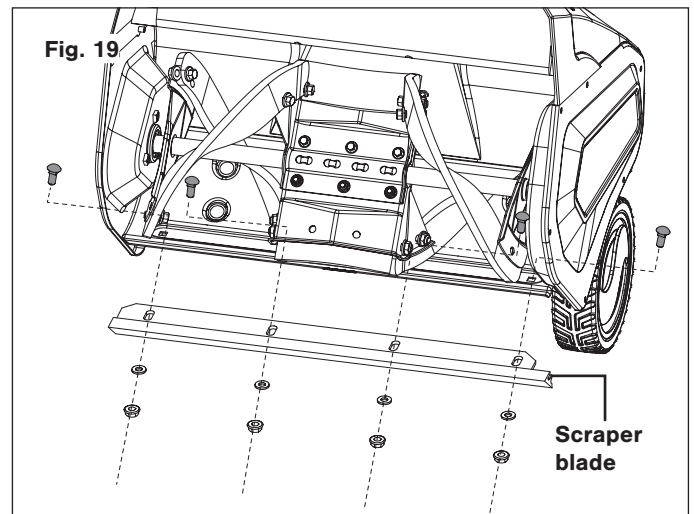
### General Maintenance Tips

- Do not attempt to repair the machine unless you have the proper tools and instructions for disassembly and repair of the machine.
- Check bolts and screws at frequent intervals for proper tightness to ensure that the equipment is in safe working condition.
- After each snow removal, shut off the motor, wait for all revolving parts to stop completely, remove the batteries and wipe residual ice and snow off the unit.

### Proper Care for Batteries + Chargers

**⚠ WARNING!** To reduce the risk of injury, always unplug the chargers and remove the battery packs from the charger before performing any maintenance task. Never disassemble the battery pack or charger. Contact your Snow Joe® + Sun Joe® dealer or the Snow Joe® + Sun Joe® customer service center for ALL repairs.

- To reduce the risk of injury and damage, never immerse your battery packs or charger in liquid or allow any liquid to flow inside these components.
- Clean out dust and debris from chargers vents and electrical contacts by blowing with compressed air.



## Replacing Auger Blades

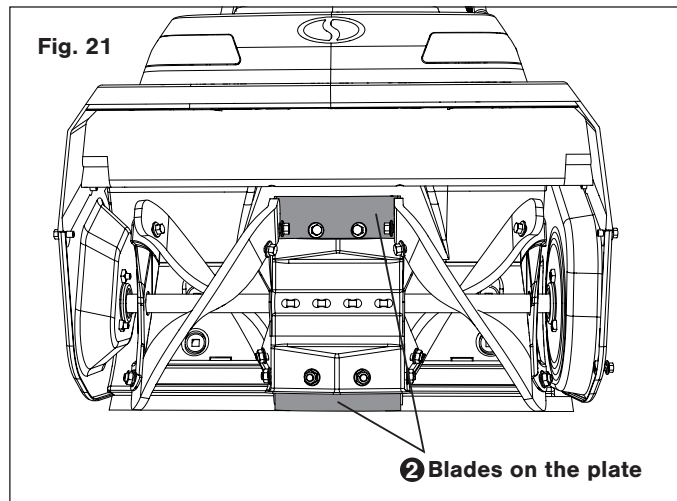
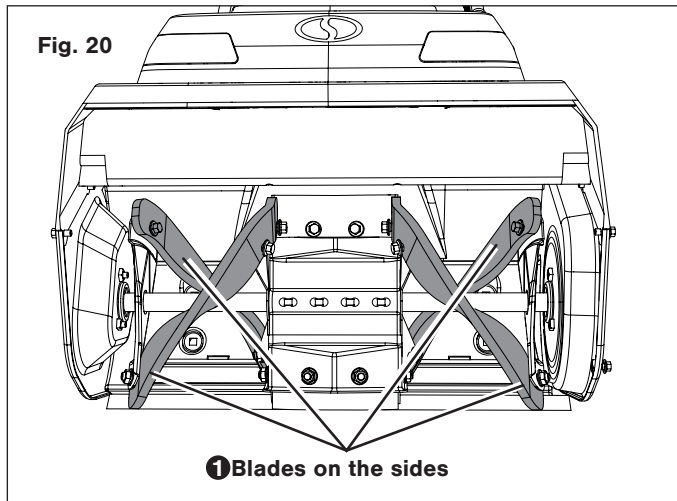
During use, the auger blades will wear down over time, which will eventually cause incomplete cleaning. If the unit cannot plow snow completely and leaves snow on ground, consider changing the auger blades.

**⚠ WARNING!** Replacing the auger blades involves close operation with the auger and the blades. To avoid injury caused by unintentional starting, make sure the batteries are not inserted before proceeding with the operation, and wear heavy duty gloves during operation.

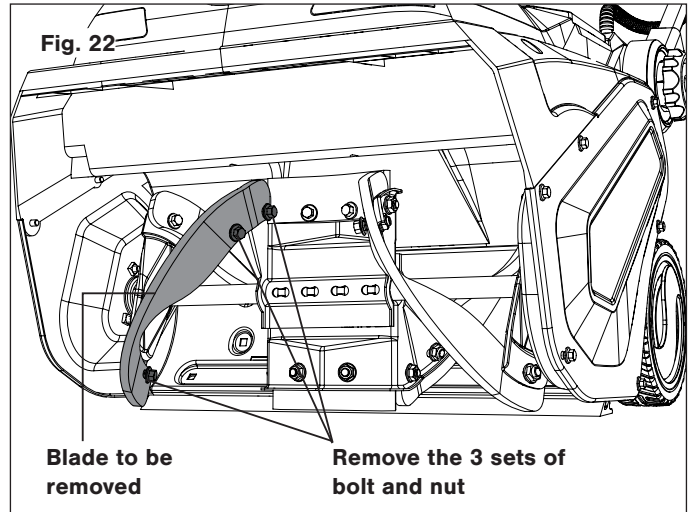
Tools Required (Not Provided):

- 10 mm wrench
- 13 mm wrench
- Heavy duty gloves

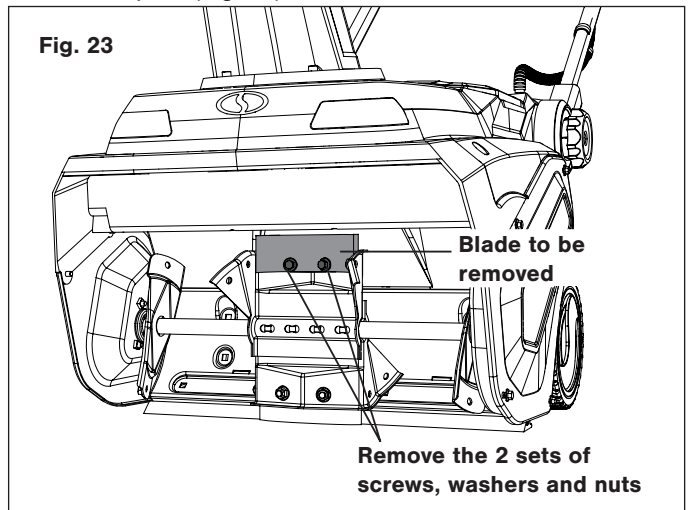
In total there are 6 blade pieces fixed by 16 sets of screws, washers and nuts in the unit. When replacing worn auger blades, pay close attention to the order in which you remove them. Remove the 4 blade pieces on the sides first, and then the 2 blade pieces fixed on the middle steel plate. Assemble the new auger blades in the reverse order of the disassembly (Figs. 20 – 21).



1. To remove the first blade on the side, use a 10 mm wrench to hold the bolt steady, and use a 13 mm wrench to loosen and remove the nut. Repeat the operation to remove all 3 sets of bolt and nut, and gently remove the blade from the auger (Fig. 22).



2. Follow the same instruction to remove the other 3 blades located on the sides. Rotate the auger when working on the blades on the back.
3. After 4 blades on the side are removed, move to the two blade pieces that are fixed on the middle steel plate. Use the 10 mm wrench to hold the bolt steady, and use the 13 mm wrench to loosen and remove the nut. Repeat on the other nut and bolt set, and gently remove the blade from the central plate (Fig. 23).



4. Rotate the auger to expose the other blade on the plate. Follow the same instruction to remove it.
5. After all old blades are removed, follow the reverse order to assemble the new blades. Use the original sets of hardware to secure the blades on the auger.

## Replacing Auger Belt

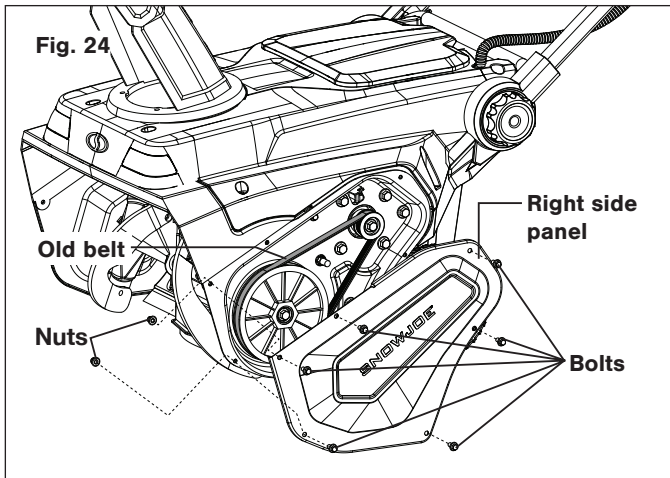
Tools Required (Not Provided):

- 10 mm wrench (2)
- Heavy duty gloves

1. Position unit on a hard, flat, smooth level surface, with the batteries removed.

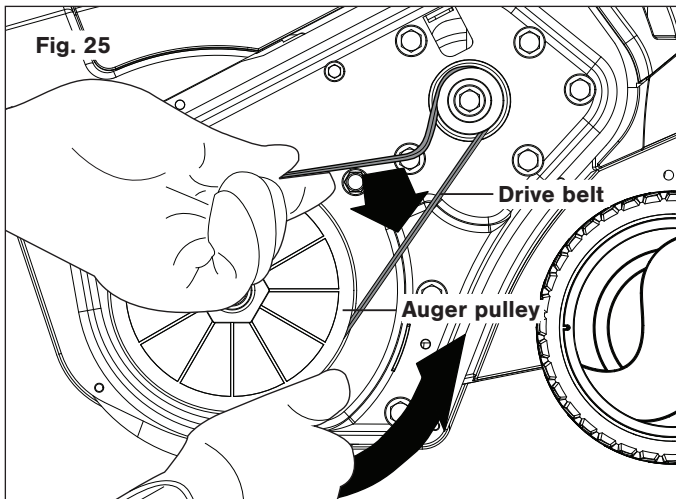


- Use 2 10 mm wrenches to remove the bolts and nuts that are used to fix the right side panel. Then remove the right side panel to expose the belt, as shown (Fig. 24).

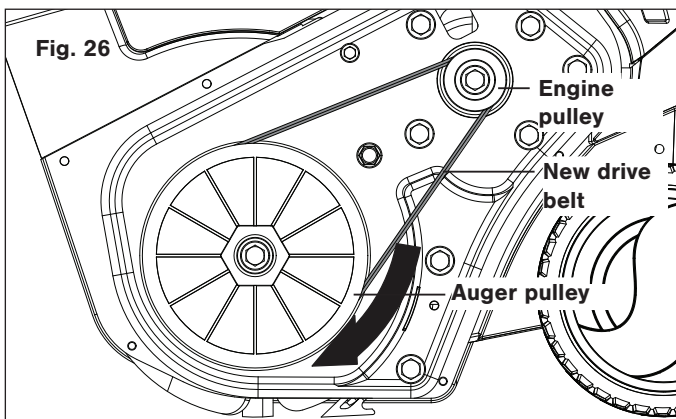


**NOTE:** The 2 bolts located on the left have 2 nuts on the back, while the other 4 bolts don't. Use one 10 mm wrench to hold the left two bolts steady and remove the nuts with the other 10 mm wrench first, and then remove all the bolts.

- Remove the drive belt by slowly turning the auger pulley counterclockwise while pulling the belt outwards (Fig. 25).



- Install the new drive belt, rotating it onto the pulleys (Fig. 26).



**NOTE:** Rotate the new drive belt first around the engine pulley, then around the auger pulley. Slowly turn the auger pulley clockwise to drive the belt inwards.

- Replace the side panel on the unit, secure with the original hardware. The snow blower is ready to use.

## Storage

- Examine the cordless snow blower thoroughly for worn, loose or damaged parts. Should you need to repair or replace a part, contact an authorized Snow Joe® + Sun Joe® dealer or call the Snow Joe® + Sun Joe® customer service center at 1-866-SNOWJOE (1-866-766-9563) for assistance.
- Clean the snow blower before storing or transporting. Be sure to secure the unit while transporting.
- Remove the battery packs from the cordless snow blower before storing.
- Store the cordless snow blower indoors in a locked, dry place out of the reach of children to prevent unauthorized use or damage.

## Battery + Charger Off-Season Storage

- Do not expose your battery packs or chargers to water, rain or allow them to get wet. This could permanently damage the chargers and the battery packs. Do not use oil or solvents to clean or lubricate your battery packs as the plastic casing can become brittle and crack, causing a serious risk of injury.
- Store the battery packs and chargers at room temperature away from moisture. Do not store in damp locations where corrosion of terminals may occur. As with other battery pack types, permanent capacity loss can result if the pack is stored for long periods of time at high temperatures (over 120°F/49°C).
- 24V iON+ lithium-ion battery packs maintain their charge during storage longer than other battery pack types. As a general practice, it is best to unplug the battery chargers and remove the battery packs when they are not in use. Recharge the battery packs every 6 months to 50% capacity (2 lights on) during off-season storage to maintain optimal battery performance.

## Battery Caution + Disposal Information

Always dispose of your battery packs according to federal, state, and local regulations. Contact a recycling agency in your area for recycling locations.

**⚠ CAUTION!** Even discharged battery packs contain some energy. Before disposing, use electrical tape to cover the terminals to prevent the battery pack from shorting, which could cause a fire or explosion.



**⚠️ WARNING!** To reduce the risk of injury or explosion, never burn or incinerate a battery pack even if it is damaged, dead or completely discharged. When burned, toxic fumes and materials are emitted into the surrounding atmosphere.

- Batteries vary according to device. Consult your manual for specific information.
- Install only new batteries of the same type in your product (where applicable).
- Failure to insert batteries in the correct polarity, as indicated in the battery compartment or manual, may shorten the life of the batteries or cause batteries to leak.
- Do not mix old and new batteries.
- Do not mix Alkaline, Standard (Carbon-Zinc) or Rechargeable (Nickel Cadmium, Nickel Metal Hydride, or Lithium-Ion) batteries.
- Do not dispose of batteries in fire.
- Batteries should be recycled or disposed of as per state and local guidelines.

## Service + Support

If your Snow Joe® 24V-X4-SB21-CT cordless snow blower requires service or maintenance, please call the Snow Joe® + Sun Joe® customer service center at 1-866-SNOWJOE (1-866-766-9563).

## Model + Serial Numbers

When contacting the company, reordering parts or arranging service from an authorized dealer, you will need to provide the model and serial numbers, which can be found on the decal located on the housing of the unit. Copy these numbers into the space provided below.

<b>Record the following numbers from the housing or handle of your new product:</b>	
Model #:	
2   4   V   -   X   4   -   S   B   2   1   -   C   T	
Serial #:	


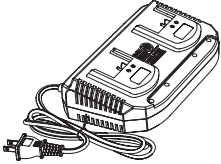
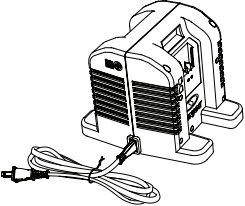
# Troubleshooting

**⚠️ WARNING!** Always turn the tool OFF and remove the batteries before performing any adjustments, maintenance, or repairs to your cordless snow blower.

Problem	Possible Cause	Solution
Unit will not start	<ol style="list-style-type: none"> <li>1. Batteries are flat.</li> <li>2. Batteries are not locked in position.</li> <li>3. The safety button is not depressed</li> </ol>	<ol style="list-style-type: none"> <li>1. Charge the batteries.</li> <li>2. Reinsert the batteries, and try to start the machine again.</li> <li>3. Depress the safety button, and pull the switch bar lever.</li> </ol>
The auger doesn't rotate while the motor is running	<ol style="list-style-type: none"> <li>1. Auger belt is wore out.</li> <li>2. Auger belt is not assembled properly.</li> </ol>	<ol style="list-style-type: none"> <li>1. Change the auger belt.</li> <li>2. Check the auger belt, make sure it's assembled tightly on the rail.</li> </ol>
Chute doesn't rotate when pressing the button	<ol style="list-style-type: none"> <li>1. There's no power.</li> <li>2. Too much wet snow are accumulated around the chute and preventing the chute rotating.</li> </ol>	<ol style="list-style-type: none"> <li>1. Make sure the batteries are charged and locked in position.</li> <li>2. Clean the wet snow around the chute.</li> </ol>
Snow left on the ground after cleaning	<ol style="list-style-type: none"> <li>1. Worn out auger blades.</li> <li>2. Worn out scraper bar.</li> </ol>	<ol style="list-style-type: none"> <li>1. Replace the blades.</li> <li>2. Replace the scraper bar.</li> </ol>

## Optional Accessories

**⚠ WARNING!** ALWAYS use only authorized Snow Joe® + Sun Joe® replacement parts and accessories. NEVER use replacement parts or accessories that are not intended for use with this cordless snow blower. Contact Snow Joe® + Sun Joe® if you are unsure whether it is safe to use a particular replacement part or accessory with your cordless snow blower. The use of any other attachment or accessory can be dangerous and could cause injury or mechanical damage.

Accessories	Item	Model
<p>①</p> 	<p>24V iON+ Lithium-ion Battery Quick Charger</p>	<p>24VCHRG-QC</p>
<p>②</p> 	<p>24V iON+ Lithium-ion Dual-Port Battery Charger</p>	<p>24VCHRG-DPC</p>
<p>③</p> 	<p>24V iON+ Lithium-ion High Speed Dual-Port Battery Charger</p>	<p>24VCHRG-HS-DPC</p>
<p>Visit <a href="http://snowjoe.com">snowjoe.com</a> for more options</p>		

**NOTE:** Accessories are subject to change without any obligation on the part of Snow Joe® + Sun Joe® to provide notice of such changes. Accessories can be ordered online at [snowjoe.com](http://snowjoe.com) or via phone by contacting the Snow Joe® + Sun Joe® customer service center at 1-866-SNOWJOE (1-866-766-9563).



## SNOW JOE® + SUN JOE® CUSTOMER PROMISE

**ABOVE ALL ELSE**, Snow Joe, LLC (“Snow Joe”) is dedicated to you, our customer. We strive to make your experience as pleasant as possible. Unfortunately, there are times when a Snow Joe®, Sun Joe®, or Aqua Joe® product (“Product”) does not work or breaks under normal operating conditions. We think it’s important that you know what you can expect from us. That’s why we have a Limited Warranty (“Warranty”) for our Products.

---

### **OUR WARRANTY:**

Snow Joe warrants new, genuine, powered and non-powered Products to be free from defects in material or workmanship when used for ordinary household use for a period of two years from the date of purchase by the original, end-user purchaser when purchased from Snow Joe or from one of Snow Joe’s authorized sellers with proof of purchase. Because Snow Joe is unable to control the quality of its Products sold by unauthorized sellers, unless otherwise prohibited by law, this Warranty does not cover Products purchased from unauthorized sellers. If your Product does not work or there’s an issue with a specific part that is covered by the terms of this Warranty, Snow Joe will elect to either (1) send you a free replacement part, (2) replace the Product with a new or comparable product at no charge, or (3) repair the Product. How cool is that!

**This Warranty gives you specific legal rights, and you may also have other rights which vary from State to State.**

### **PRODUCT REGISTRATION:**

Snow Joe strongly encourages you to register your Product. You can register online at [snowjoe.com/register](http://snowjoe.com/register), or by printing and mailing in a registration card available online from our website, or calling our Customer Service Department at **1-866-SNOWJOE (1-866-766-9563)**, or by e-mailing us at [help@snowjoe.com](mailto:help@snowjoe.com). Failure to register your Product will not diminish your warranty rights. However, registering your Product will allow Snow Joe to better serve you with any of your customer service needs.

### **WHO CAN SEEK LIMITED WARRANTY COVERAGE:**

This Warranty is extended by Snow Joe to the original purchaser and original owner of the Product.

### **WHAT IS NOT COVERED?**

This Warranty does not apply if the Product has been used commercially or for non-household or rental applications. This Warranty also does not apply if the Product was purchased from an unauthorized seller. This Warranty also does not cover cosmetic changes that do not affect performance. Wearing parts like belts, augers, chains and tines are not covered under this Warranty, and can be purchased at [snowjoe.com](http://snowjoe.com) or by calling **1-866-SNOWJOE (1-866-766-9563)**.



A series of 21 horizontal lines for writing, spaced evenly down the page.







# QUITANIEVE INALÁMBRICO – SOLO HERRAMIENTA

96 V MÁX\*. | 53 CM

## MANUAL DEL OPERADOR

Una división de Snow Joe, LLC

Modelo 24V-X4-SB21-CT

Forma Nº SJ-24V-X4-SB21-CT-880S-M

## ¡IMPORTANTE!

### Instrucciones de seguridad

### Todos los operadores deberán leer estas instrucciones antes del uso

Lea todas las instrucciones antes de usar este quitanieve. Tendrán que tomarse siempre las precauciones que se indican a continuación para reducir riesgos de incendios, choques eléctricos o lesiones personales.

## Seguridad general

**⚠ ¡ADVERTENCIA!** Esta máquina no está destinada para su uso por niños ni por otras personas sin asistencia o supervisión cuyas habilidades físicas, sensoriales o mentales les impidan usarla de forma segura. Los niños deben estar bajo supervisión para garantizar que no jueguen con esta máquina.

Antes de encender su quitanieve, inspecciónelo cuidadosamente para cerciorarse de que no tenga defectos. Si encuentra un defecto en el quitanieve, no lo use. Más bien contacte a un concesionario autorizado Snow Joe® + Sun Joe® o comuníquese con la central de servicio al cliente Snow Joe® + Sun Joe® llamando al 1-866-SNOWJOE (1-866-766-9563).

**⚠ ¡ADVERTENCIA!** Usted debe tomar precauciones básicas de seguridad siempre que use este quitanieve para reducir el riesgo de lesiones personales. Estas incluyen:

- **Manténgase alerta:** vea lo que está haciendo. Use su sentido común. No opere el quitanieve si siente cansancio o está bajo la influencia de las drogas, alcohol u otros medicamentos.
- **Vístase apropiadamente:** no use ropa holgada o joyas ya que pueden engancharse en las partes móviles. Átese el cabello largo. Al trabajar en exteriores, se recomienda el uso de guantes y calzado antideslizante.
- **Uso:** este quitanieve está diseñado para ser usado sobre superficies pavimentadas. No lo use sobre grava, piedras u otras superficies no pavimentadas. No use este quitanieve en una tarea para la cual no ha sido diseñado.
- **Equipos de protección personal:** use siempre gafas de seguridad al operar este quitanieve.
- **No fuerce el quitanieve:** use el quitanieve con la intensidad para la cual fue diseñado con el fin de asegurar un rendimiento óptimo y una operación segura.
- **No se extralimite:** mantenga una postura y equilibrio adecuados en todo momento. Esté atento ante superficies desniveladas y no se extienda demasiado. En caso de que

usted se caiga o choque contra el quitanieve, inspeccione la unidad para detectar daños o resquebrajaduras. Al retroceder, tenga cuidado y evite los obstáculos detrás de usted.

- **Partes móviles:** mantenga su rostro, cabello, ropa, manos y pies alejados de las partes móviles. Todos los protectores y accesorios de seguridad deben estar instalados apropiadamente antes de usar la máquina. Apague y desconecte las baterías antes de tocar cualquier parte que no sea los mangos o el interruptor.

**⚠ ¡ADVERTENCIA!** Si el quitanieve golpea un objeto extraño, siga estas instrucciones:

1. Detenga el quitanieve y retire las baterías.
2. Inspeccione la máquina en busca de daños; y
3. Repare cualquier daño antes de volver a encender el quitanieve.

**⚠ ¡ADVERTENCIA!** Siempre desactive la palanca interruptora y retire las baterías. Espere a que todas las partes se hayan detenido antes de hacer cualquier tarea de ajuste, inspección, reparación, cambio de accesorios o limpieza en el quitanieve. Cualquiera de estas tareas deberá ser realizada luego de que las partes giratorias dentro del quitanieve se hayan detenido por completo. Dichas medidas preventivas de seguridad reducen el riesgo de encender la máquina de forma accidental.

**⚠ ¡ADVERTENCIA!** Al reemplazar cualquier parte, usted debe seguir rigurosamente las instrucciones y procedimientos descritos en este manual del operador. Se debe tener especial cuidado con las partes de goma, ya que estas partes, de estar dañadas, pueden aumentar la carga del motor y reducir su potencia mecánica.

**⚠ ¡ADVERTENCIA!** Si usted nota que el quitanieve no está funcionando apropiadamente u oye sonidos anormales de su motor cuando está en uso, detenga inmediatamente el quitanieve, retire las baterías y comuníquese con la central de servicio al cliente Snow Joe® + Sun Joe® llamando al 1-866-SNOWJOE (1-866-766-9563).

## Seguridad en el área de trabajo

- **Área de trabajo:** siempre inspeccione el área donde el quitanieve será usado, y opérela en un entorno bien iluminado.
- **Mantenga alejados a los visitantes:** todos los visitantes y mascotas deberán encontrarse a una distancia segura del área de trabajo.

*\*Genera 96 V máx. con cuatro baterías de iones de litio. El voltaje inicial sin carga, cuando cada batería está cargada por completo, alcanza un máximo de 24 V. El voltaje nominal bajo una carga típica es de 21.6 V.*

## Mantenimiento y almacenamiento

**⚠ ¡ADVERTENCIA!** Para limpiar su quitanieve no use detergentes, ácidos, soluciones alcalinas, productos a base de lejía o solventes tales como acetona. Estas sustancias pueden dañar las partes de plástico de la máquina.

- **Guárdelo en interiores:** cuando no esté siendo usado, este quitanieve deberá ser guardada en interiores, en un lugar seco lejos del alcance de los niños.
- **Inspeccione antes del uso:** inspeccione visualmente el quitanieve en busca de ajustadores sueltos, o partes gastadas, dañadas o faltantes. Mantenga todos los ajustadores apretados para garantizar que el quitanieve esté en una condición segura de funcionamiento.

## Instrucciones de seguridad para las baterías y el cargador

**NOTA:** esta unidad es una sola herramienta. La batería y el cargador no están incluidos. Deben ser adquiridos por separado.

El modelo 24V-X4-SB21-CT es compatible con las baterías y cargadores del sistema iON+ de 24 V. Vea la página 37 para más información.

Prestamos mucha atención al diseño de cada batería para garantizar la producción de baterías seguras y durables, con alta densidad de energía. Las celdas de las baterías tienen varios dispositivos de seguridad. Cada celda individual es inicialmente formateada y sus curvas eléctricas características son registradas. Estos datos son luego usados exclusivamente para ensamblar las mejores baterías posibles.

Independientemente de todas las precauciones de seguridad, se debe tener mucho cuidado al manipular las baterías. Las siguientes instrucciones deben ser obedecidas en todo momento para garantizar un uso seguro. Un uso seguro solo puede ser garantizado si se emplean celdas libres de daños. Una manipulación incorrecta de la batería puede causar daños en sus celdas.

**¡IMPORTANTE!** Los análisis han confirmado que el uso incorrecto y el cuidado deficiente de baterías de alto rendimiento son las causas principales de daños al producto y/o lesiones personales.

**⚠ ¡ADVERTENCIA!** Use solo baterías de repuesto aprobadas. Otras baterías pueden dañar la máquina y provocar un desperfecto que pueda causar lesiones personales severas.

**⚠ ¡ADVERTENCIA!** No use baterías o una máquina que hayan sido dañadas o modificadas. Las baterías dañadas o modificadas pueden reaccionar impredeciblemente, causando un incendio, explosión o lesiones personales.

Sus baterías deberán ser reparadas por una persona calificada usando únicamente partes de repuesto originales. Esto mantendrá la seguridad de las baterías.

**⚠ ¡PRECAUCIÓN!** Para reducir el riesgo de lesiones, use solo cargadores originales iON+ de 24 V diseñados para las baterías iON+ de 24 V. El uso de otras baterías o cargadores representa un riesgo de incendio, daños y lesiones personales. No modifique ni intente reparar la máquina o las baterías, a menos que lo haga según lo indicado en las instrucciones de uso y cuidado. No conecte una batería a un tomacorriente doméstico o encendedor de cigarrillos en un vehículo, ya que dicho uso indebido dañará o deshabilitará permanentemente la batería.

**⚠ ¡ADVERTENCIA!** Para reducir el riesgo de un choque eléctrico, desenchufe siempre el cargador antes de llevar a cabo cualquier tarea de limpieza o mantenimiento. No permita que entre agua dentro del cargador. Use un interruptor de circuito por falla a tierra (GFCI) para reducir el riesgo de un choque eléctrico.

- **Evite entornos peligrosos:** no cargue las baterías bajo la lluvia o nieve, ni en lugares húmedos o mojados. No use las baterías ni el cargador en atmósferas explosivas (gases, polvo o materiales inflamables) ya que al insertar o retirar las baterías se pueden generar chispas que causen un incendio.

- **Cargue en un área bien ventilada:** no bloquee los conductos de ventilación. Manténgalos despejados para permitir una ventilación adecuada. No permita que se fume o haya fuego abierto cerca de una batería siendo cargada. Los gases presentes pueden explotar.














**NOTA:** el rango seguro de temperatura para las baterías es de 41°F (5°C) a 105°F (40.5°C). No cargue las baterías en exteriores a temperaturas congelantes. Cárguelas a temperatura ambiente en interiores.

- **Cuide el cable de alimentación del cargador:** al desenchufar el cargador tire del enchufe, no del cable de alimentación, para desconectarlo del tomacorriente y así evitar daños al enchufe y cable. Nunca transporte el cargador colgado de su cable, ni tire del cable para desconectarlo del tomacorriente. Mantenga el cable alejado del calor, grasas y bordes afilados. Asegúrese de que el cable no sea pisado, que la gente no se tropiece con éste, ni que esté sujeto a daños o tensiones mientras el cargador esté siendo usado. No use el cargador con un cable o enchufe dañado. Reemplace un cargador dañado inmediatamente.
- **No use un cable de extensión a menos que sea absolutamente necesario:** usar un cable de extensión incorrecto, dañado o conectado de forma inapropiada puede causar un incendio o choque eléctrico. Si se debe usar un cable de extensión, conecte el cargador a un cable de extensión de calibre 16 (o más grueso) de alambrado adecuado, con el enchufe macho del cargador encajando perfectamente en el enchufe hembra del cable de extensión. Verifique que el cable de extensión esté en buenas condiciones.
- **Compruebe la entrada nominal del cargador antes del uso:** el cargador debe estar enchufado a un tomacorriente apropiado.

- **No exponga la herramienta o sus baterías al fuego:** una exposición al fuego o a temperaturas por encima de los 265°F (130°C) puede hacer que las baterías exploten, causando lesiones personales o daños. Las baterías generan sustancias y humos tóxicos al ser quemadas.
- **Use solo accesorios recomendados:** el uso de un accesorio no aprobado puede causar un incendio, choque eléctrico o lesiones personales.
- **No triture, deje caer ni dañe las baterías:** no use las baterías ni el cargador si han sido severamente golpeados, se han dejado caer, se han aplastado, o han sido dañados de cualquier forma; como por ejemplo perforados con un clavo, golpeados con un martillo, pisados, etc.
- **No desarme las baterías ni el cargador:** un reensamblado incorrecto puede presentar un riesgo severo de choque eléctrico, fuego o exposición a químicos tóxicos de batería. Si las baterías o el cargador están dañados, contacte a un concesionario autorizado Snow Joe® + Sun Joe® o comuníquese con la central de servicio al cliente Snow Joe® + Sun Joe® llamando al 1-866-SNOWJOE (1-866-766-9563) para obtener ayuda.
- **Los químicos de las baterías causan quemaduras severas:** nunca deje que una batería dañada haga contacto con la piel, ojos o boca. Si la batería está dañada, sus sustancias químicas reaccionarán violentamente con el aire. Use guantes de hule o neopreno para deshacerse de la batería de forma segura. Si la piel es expuesta a las sustancias químicas de la batería, lave el área afectada con agua y jabón. Si los ojos son expuestos a las sustancias químicas, inmediatamente enjuáguelos con agua durante 20 minutos y busque atención médica. Quitese y deshágase de las vestimentas contaminadas.
- **Riesgo de cortocircuito:** una batería puede hacer cortocircuito si un objeto metálico hace conexión entre los contactos positivo y negativo de la batería. No coloque una batería cerca de objetos que puedan causar un cortocircuito tales como monedas, sujetapapeles, tornillos, clavos, llaves u otros objetos metálicos. Una batería cortocircuitada puede causar un incendio o lesiones personales graves.
- **Guarde sus baterías y cargador en un lugar fresco y seco:** idealmente, guarde las baterías a 59°F (15°C) y cargadas al menos a un 40%. No guarde las baterías ni el cargador donde la temperatura pueda exceder los 105°F (40.5°C), como bajo la luz directa del sol o dentro de un vehículo, o donde la temperatura pueda caer por debajo de los 41°F (5°C).  
**NOTA:** evite que las baterías se congelen. Las baterías almacenadas a temperaturas menores de 32°F (0°C) por más de una hora deberán ser desechadas.
- **Cargue antes del uso:** las baterías suministradas con su herramienta están cargadas solo de forma parcial. Las baterías tienen que estar completamente cargadas antes de que usted use este quitanieve por primera vez.
- **Desgaste de las baterías:** las baterías de iones de litio están sujetas a un proceso natural de desgaste. Una batería debe ser reemplazada a más tardar cuando su capacidad caiga a un 80% de su capacidad inicial (cuando estaba nueva). Las celdas debilitadas en una batería gastada no son capaces de cumplir con los requisitos de alta potencia necesarios para la operación adecuada de su herramienta, y por tanto representan un riesgo de seguridad.
- **No descargue las baterías de forma exhaustiva:** una descarga completa dañará las celdas de las baterías. La causa más común de descarga exhaustiva es un almacenamiento prolongado. Deje de trabajar tan pronto como el rendimiento de una batería caiga considerablemente o se active el sistema de protección electrónico. Para un rendimiento óptimo de las baterías, cárguelas de forma frecuente. Almacene las baterías únicamente luego de haberlas cargado por completo.
- **No sobrecargue las baterías:** proteja la herramienta y las baterías contra las sobrecargas. Las sobrecargas causarán rápidamente un sobrecalentamiento y daños a las celdas dentro de la batería, incluso si por fuera estos daños no son aparentes. Por motivos de seguridad, el sistema interruptor de corte de protección se activará para apagar el equipo. Después de un uso regular, permita que las baterías se enfrien a temperatura ambiente antes de volverlas a cargar.  
**¡IMPORTANTE!** No intente encender la herramienta si el sistema interruptor de corte de protección se ha activado. Esto puede dañar las baterías.
- **Voltaje de tomacorriente:** verifique la información indicada en la placa de especificaciones del cargador de baterías. Asegúrese de que el voltaje de la fuente de alimentación concuerde con el indicado en la placa de especificaciones. Nunca lo conecte a una fuente de alimentación con un voltaje distinto al indicado. Nunca modifique el enchufe de ninguna manera. No use ningún adaptador de enchufe con herramientas que tengan conexión a tierra.
- **Uso del cargador:** no use el cargador de baterías suministrado para cargar otros tipos de baterías o herramientas.
- **No cargue en exceso las baterías:** desconéctelas de los cargadores cuando éstos no estén siendo usados. Una sobrecarga frecuente de las baterías causará daños a las celdas de las baterías. No deje las baterías cargando por días enteros.
- **Anormalidades de baterías:** no use baterías que se hayan deformado o hinchado, o aquellas que muestren otros síntomas atípicos tales como liberación de gases, zumbidos, grietas, etc.
- **Descargas electrostáticas:** al manipular una batería, tenga cuidado con las descargas electrostáticas. Las descargas electrostáticas pueden dañar el sistema electrónico de protección y las celdas de las baterías. Para evitar descargas electrostáticas, nunca toque los terminales de las baterías.

# Símbolos de seguridad

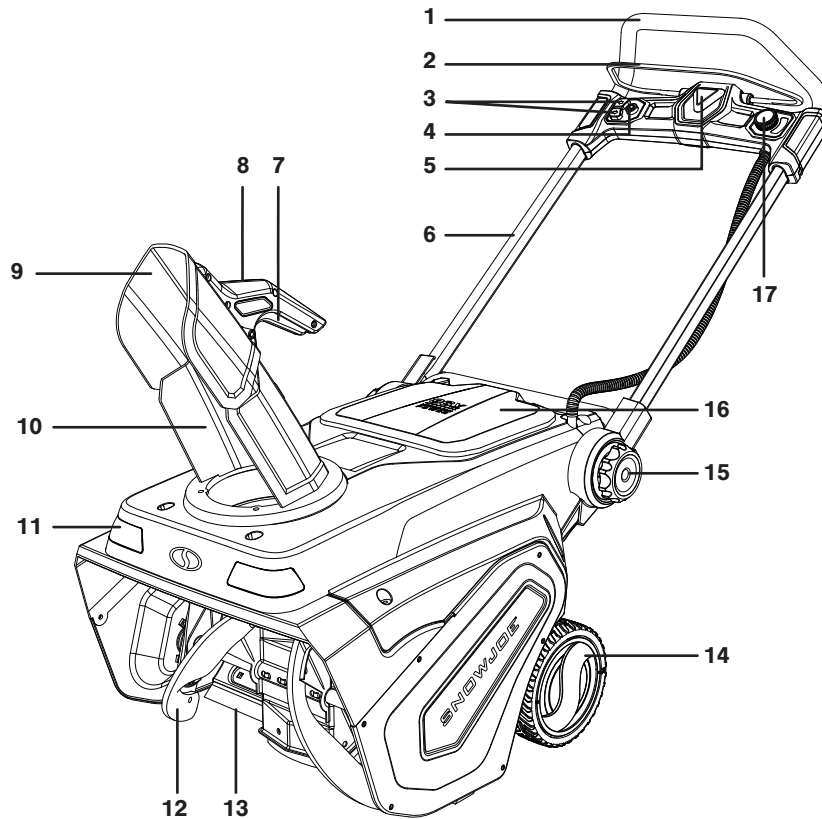
La siguiente tabla muestra y describe los símbolos de seguridad que pueden aparecer en este producto. Lea, comprenda y siga todas las instrucciones relacionadas con la herramienta antes de intentar ensamblarla y operarla.

Símbolo	Descripción	Símbolo	Descripción
	<b>LEA EL MANUAL DEL OPERADOR:</b> lea, comprenda y siga todas las instrucciones en el manual antes de intentar ensamblar y operar esta unidad.		<b>ALERTA DE SEGURIDAD:</b> indica una precaución, advertencia o peligro.
	<b>USE PROTECCIÓN OCULAR Y AUDITIVA:</b> para evitar lesiones personales, use protección auditiva y gafas protectoras.		<b>¡ADVERTENCIA!</b> No exponga la herramienta a la lluvia ni a entornos mojados. Manténgala seca.
	Use guantes protectores y calzado no deslizante al operar esta herramienta y al manipular desechos.		<b>¡PRECAUCIÓN!</b> Tenga cuidado con piedras y otros objetos extraños que puedan ser arrojados por la máquina.
	<b>¡PELIGRO!</b> Peligro de corte/ mutilación: mantenga las manos lejos de la barrena giratoria.		<b>¡PELIGRO!</b> Peligro de corte/ mutilación: mantenga los pies lejos de la barrena giratoria.
	Mantenga las manos, pies y ropa lejos de la barrena giratoria para evitar lesiones personales.		No use las manos para desatascar el conducto.
	La parte giratoria seguirá moviéndose durante varios segundos después de que usted haya apagado la máquina.		Mantenga a los espectadores a una distancia mínima de 50 pies (15 m) del área de trabajo.
	Utilice el cargador de baterías solamente en interiores.		



# Conozca su quitanieve de 53 cm

Lea detenidamente el manual del operador y las instrucciones de seguridad antes de operar la pala quitanieve. Compare la ilustración debajo con el producto para familiarizarse con las ubicaciones de los diversos controles y ajustes. Conserve este manual para futuras referencias.



- |  |                                     |  |
|--|-------------------------------------|--|
| 1. Empuñadura suave                                      | 7. Gatillo de deflector de conducto | 14. Ruedas (×2)                        |
| 2. Palanca interruptora                                  | 8. Mango de deflector de conducto   | 15. Trabas de estructura de mango (×2) |
| 3. Botones de rotación de conducto (izquierda y derecha) | 9. Deflector de conducto            | 16. Compartimiento de batería          |
| 4. Botón de luces LED                                    | 10. Conducto de descarga            | 17. Dial de velocidad de barrena       |
| 5. Botón de seguridad                                    | 11. Luces LED (×2)                  |  |
| 6. Estructura de mango                                   | 12. Hojas de barrena                |  |
|  | 13. Barra raspadora                 |  |

**DE VENTA POR SEPARADO** | Opciones de batería\* y cargadores disponibles en [snowjoe.com](http://snowjoe.com)

24VBAT-XR12      24VCHRG-QC

24VCHRG-DPC

24VCHRG-HS-DPC

\*SOLO PARA USO CON BATERÍAS iON+ DE 24 V Y 12.0 Ah.

## Datos técnicos

Motor sin escobillas.....	2,800 W	Control direccional.....	Conducto ajustable 180°
Ancho de despeje.....	21 plg (53 cm)	Potencia de luces LED.....	De 3 W
Profundidad de despeje de nieve.....	12 plg (30 cm)	Tamaño de rueda.....	7 plg (18 cm)
Distancia máxima de lanzamiento.....	30 pies (9 m)	Voltaje máximo de baterías*.....	96 V CC, (4 × 24 V CC)
Rotor.....	Barrena con 2 palas	Entrada de cargador.....	120 V CA   60 Hz   160 W
Velocidad sin carga.....	1,400 ±100 RPM (alta) 1,200 ±100 RPM (baja)	Salida de cargador.....	26 V CC   2.2 A (cada conector)
Etapas.....	Etapas únicas	Tiempo máximo de carga.....	6 horas
		Peso neto.....	57.3 lb (26 kg)

\*Genera 96 V máx. con cuatro baterías de iones de litio. El voltaje inicial sin carga, cuando cada batería está cargada por completo, alcanza un máximo de 24 V. El voltaje nominal bajo una carga típica es de 21.6 V.

# Desembalaje

## El paquete contiene:

- Quitanieve inalámbrico con estructura de mango
- Ensamblado del conducto de descarga
- Tornillos de conducto de descarga (×3)
- Llave hexagonal
- Manual y tarjeta de registro

**NOTA:** para operar su quitanieve inalámbrico usted necesitará baterías y cargadores del sistema iON+ de 24 V. Vea la página 37 para las opciones y especificaciones de batería, o visite snowjoe.com.

1. Retire cuidadosamente su quitanieve inalámbrico y compruebe que todos los artículos anteriores hayan sido suministrados.
2. Inspeccione cuidadosamente el producto para asegurarse de que no haya ocurrido ningún daño o ruptura durante el transporte. Si alguna parte está dañada o extraviada, **NO DEVUELVA** el producto a la tienda. Comuníquese con la central de servicio al cliente Snow Joe® + Sun Joe® llamando al 1-866-SNOWJOE (1-866-766-9563).
3. **NOTA:** no se deshaga de la caja de transporte ni de los materiales de embalaje hasta que usted esté listo para usar su quitanieve inalámbrico. El empaquetado está hecho de materiales reciclables. Deshágase apropiadamente de estos materiales según los reglamentos locales, o guarde el empaquetado para un almacenamiento del producto a largo plazo.

**¡IMPORTANTE!** El equipo y los materiales de embalaje no son juguetes. No deje que los niños jueguen con las bolsas plásticas, láminas o partes pequeñas. ¡Estos objetos pueden ser tragados y causar asfixia!

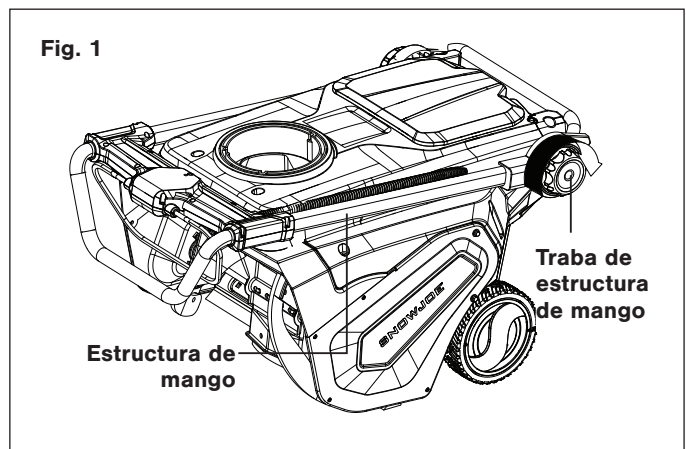
## Ensamblado

**⚠ ¡ADVERTENCIA!** Para evitar lesiones personales severas, lea y entienda todas las instrucciones de seguridad proporcionadas.

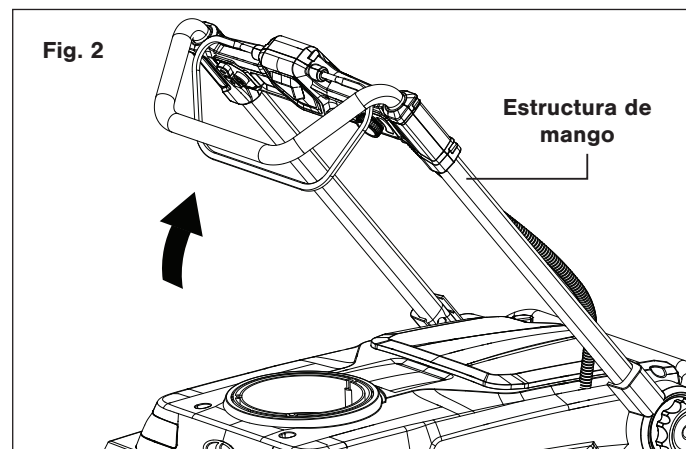
**⚠ ¡ADVERTENCIA!** El desempacado y ensamblado deben ser realizados en una superficie plana y estable, con un espacio adecuado para mover la máquina y su embalaje.

## Ajuste de la estructura de mango

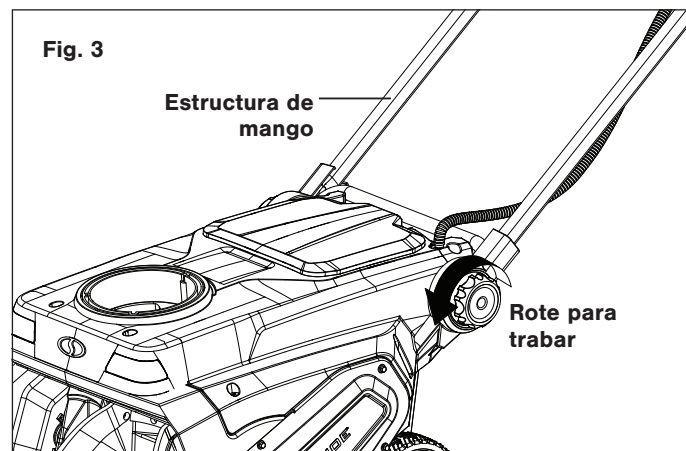
1. Destrahe la estructura de mango girando en sentido horario las trabas de estructura de mango en ambos lados (Fig. 1).



2. Rote la estructura de mango hacia arriba, a una posición de operación cómoda (Fig. 2).

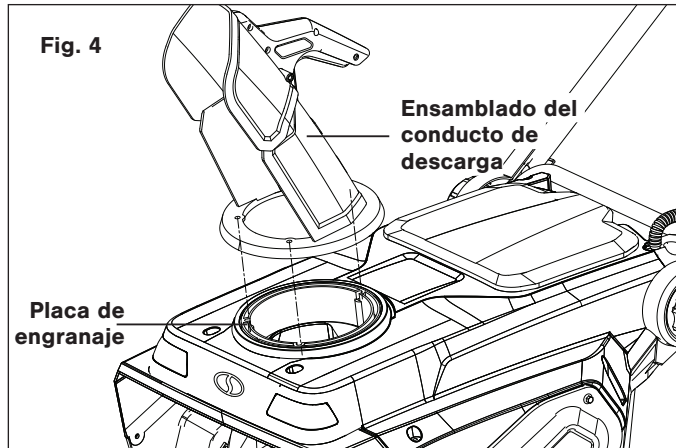


3. Trabe la estructura de mango girando en sentido antihorario las trabas de estructura de mango en ambos lados (Fig. 3).

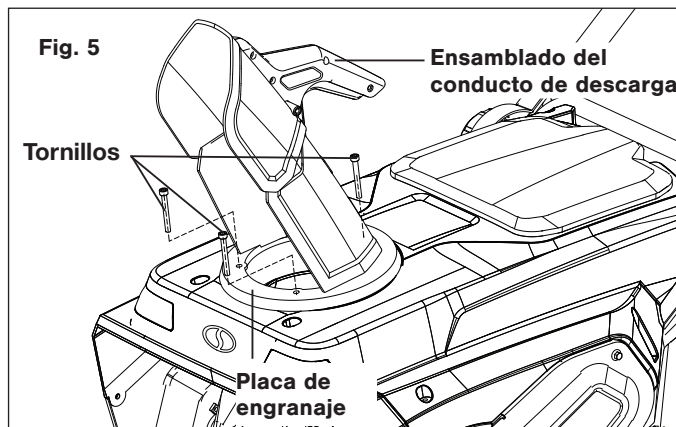


## Ensamblado del conducto de descarga

1. Coloque el ensamblado del conducto de descarga en la placa de engranaje, alineando los tres orificios en la placa de engranaje, y empuje hacia abajo hasta que el conducto esté al ras y nivelado con la carcasa (Fig. 4).



2. Use los tres tornillos de conducto de descarga para asegurar el ensamblado de conducto de descarga a la placa de engranaje, tal como se muestra. Apriete con la llave hexagonal suministrada (Fig. 5).



## Operación de la batería

La unidad es alimentada con cuatro baterías de iones de litio. Las baterías están completamente selladas y no requieren de mantenimiento.

### SOLO HERRAMIENTA BATERÍA Y CARGADOR DE VENTA POR SEPARADO

Para operar su quitanieve inalámbrico usted necesitará cuatro baterías y un cargador del sistema iON+ de 24 V. Vea la página 37 para las opciones y especificaciones de batería y cargador, o visite [snowjoe.com](http://snowjoe.com).

**⚠ ¡ADVERTENCIA!** El quitanieve inalámbrico solo podrá funcionar con las cuatro baterías juntas. Usar una sola batería no dará suficiente alimentación al quitanieve. Asegúrese de usar cuatro baterías del mismo voltaje y capacidad. Operar el quitanieve con baterías de diferentes capacidades provocará daños a las baterías.

## Indicador de nivel de carga de baterías

Cada batería tiene un botón para comprobar su nivel de carga. Simplemente presione el botón para leer el nivel de carga de la batería en los LED indicadores:

- Los tres LED indicadores de nivel están encendidos: el nivel de carga de la batería es elevado.
- Dos LED indicadores de nivel están encendidos: el nivel de carga de la batería está disminuyendo. Deje de trabajar tan pronto como sea posible.
- Un LED indicador de nivel está encendido: la batería está agotada. Deje de trabajar INMEDIATAMENTE y cargue la batería, de otro modo el ciclo de vida útil de la batería se reducirá en gran medida.

Luces	Significado
	Botón indicador de nivel de carga.
	La batería está cargada a un 30% y requiere ser cargada de inmediato.
	La batería está cargada a un 60% y requiere ser cargada pronto.
	La batería está cargada por completo.

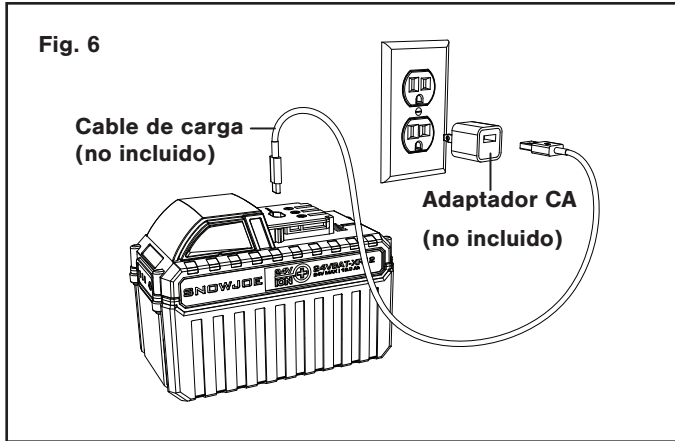
**NOTA:** si el botón indicador de nivel de carga parece no funcionar, coloque la batería en el cargador y cargue según se requiera.

**NOTA:** inmediatamente luego del uso de las baterías, el botón indicador de nivel de carga puede mostrar una carga más baja que la que se mostrará algunos minutos después. Las celdas de una batería "recuperan" parte de su carga luego de que la batería haya estado inactiva.

## Puertos de carga USB

Usando un cable de carga USB-C (no incluido), conecte el conector USB-C a la batería. Luego conecte el otro extremo del cable a un adaptador CA (no incluido) para su carga en un tomacorriente (Fig. 6).

Las luces LED indicadores de la batería se iluminarán indicando el proceso de carga. Las tres luces LED se iluminarán al mismo tiempo una vez que la batería esté completamente cargada. En ese momento, desconecte la batería del cable de carga.



**NOTA:** usted puede también cargar la batería usando otros dispositivos USB tales como computadoras.

**NOTA:** cuando la batería esté desconectada de una fuente de alimentación, su puerto USB-C puede también ser usado para cargar otros dispositivos tales como teléfonos y tablets.

## Operación del cargador

### SOLO HERRAMIENTA BATERÍA Y CARGADOR DE VENTA POR SEPARADO

Para operar su quitanieve inalámbrico usted necesitará cuatro baterías y un cargador del sistema iON+ de 24 V. Vea la página 37 para las opciones y especificaciones de batería y cargador, o visite snowjoe.com.

**⚠ ¡ADVERTENCIA!** Cargue las baterías de iones de litio iON+ de 24 V solo con sus cargadores de baterías de iones de litio compatibles iON+ de 24 V. Otros tipos de baterías pueden causar lesiones personales y daños materiales.

Para reducir el riesgo de un choque eléctrico, no permita que entre agua a la conexión CA/CC del cargador.

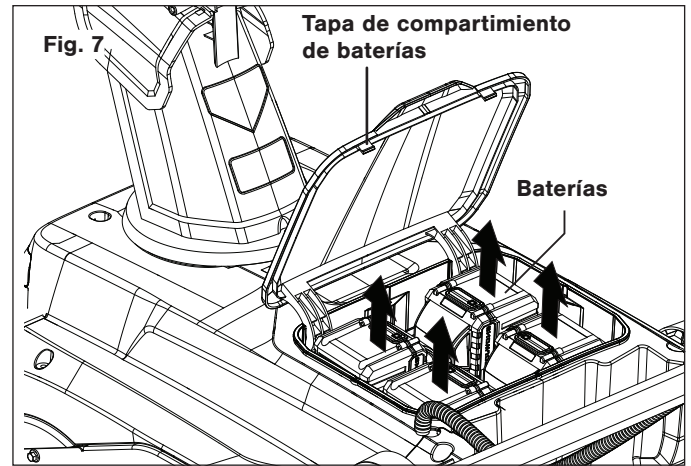
### Cuándo cargar las baterías de iones de litio iON+ 24VBAT-XR12

**NOTA:** las baterías de iones de litio iON+ 24VBAT-XR12 no crean una “memoria” al ser cargadas luego de una descarga parcial. Por tanto, no hay necesidad de agotar las baterías antes de cargarlas de nuevo.

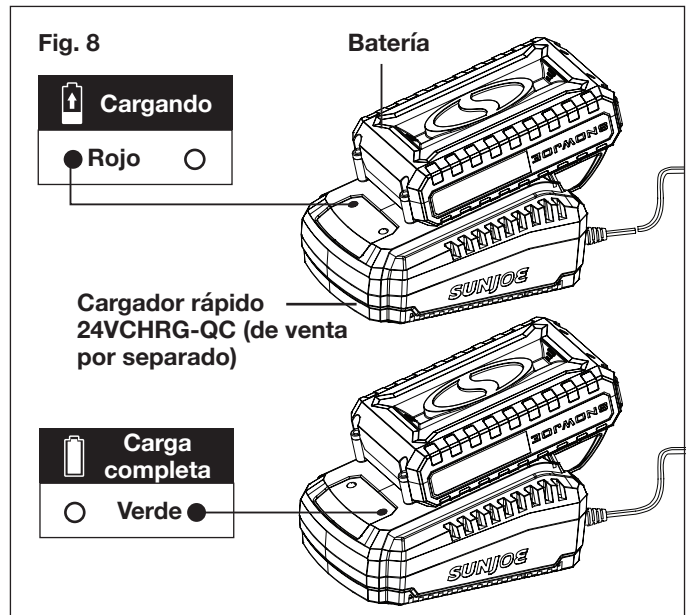
- Observe las luces indicadoras de carga de baterías para determinar cuándo cargar sus baterías de iones de litio iON+ 24VBAT-XR12.
- Usted puede cargar por completo sus baterías antes de empezar un trabajo grande o luego de un uso prolongado.

## Carga de las baterías

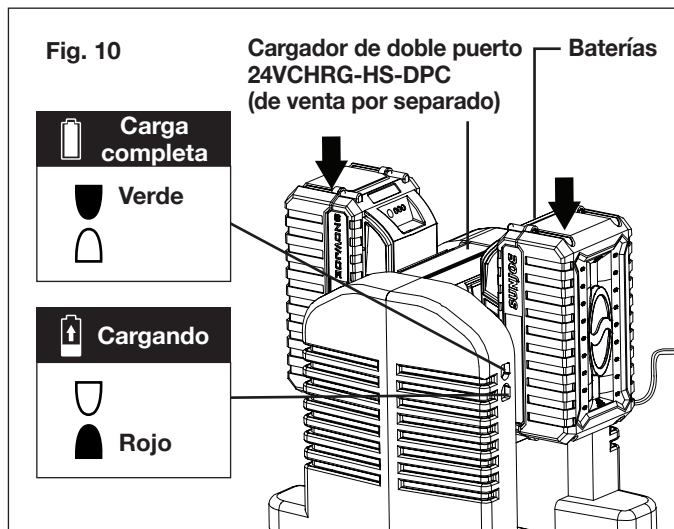
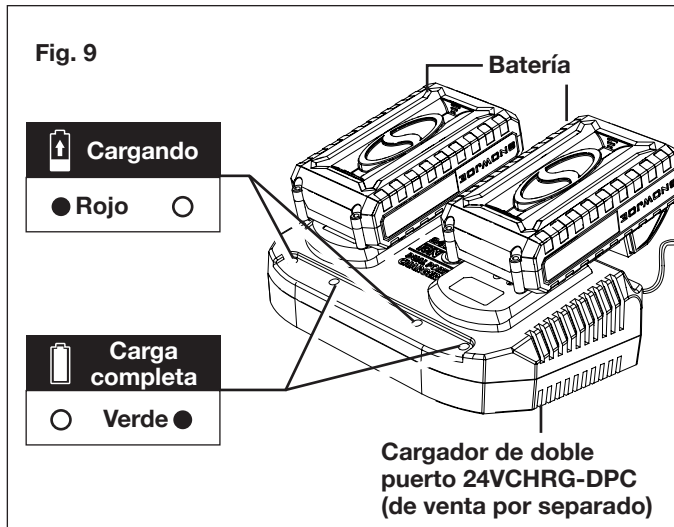
1. Abra la tapa del compartimento de baterías, y apriete los botones de trabado en las baterías para sacarlas del compartimento (Fig. 7).



2. El método para cargar su batería de iones de litio variará dependiendo del modelo de su cargador Snow Joe® + Sun Joe®. Usted puede insertar su batería de 24 V en el cargador rápido 24VCHRG-QC (de venta por separado), el cargador de doble puerto 24VCHRG-DPC (de venta por separado), o el cargador de alta velocidad de doble puerto 24VCHRG-HS-DPC (de venta por separado) (Figs. 8 a 10).







- Las luces LED indicadoras de la batería se iluminarán una a una durante el proceso de carga. Desconecte el cargador inmediatamente cuando las tres luces LED estén iluminadas.
- El cargador rápido 24VCHRG-QC (de venta por separado), el cargador de doble puerto 24VCHRG-DPC (de venta por separado), y el cargador de alta velocidad de doble puerto 24VCHRG-HS-DPC (de venta por separado) están también equipados con luces indicadoras que indican el estado de carga (Figs. 8 a 10).

**⚠ ¡PRECAUCIÓN! PELIGRO DE INCENDIO.**

Al desconectar el cargador de la batería, asegúrese de primero desconectar el cargador del tomacorriente, y luego desconectar el cargador de la herramienta.

**⚠ ¡ADVERTENCIA! Los cargadores no se apagan de forma automática cuando las baterías están completamente cargadas. No deje la batería conectada al cargador. Apague o desenchufe el cargador del tomacorriente cuando la carga haya sido completada.**

- Una recarga oportuna de la batería ayudará a prolongar su vida útil. Usted debe recargar la batería cuando note una caída en la potencia del equipo.

**¡IMPORTANTE!** Nunca permita que la batería se descargue por completo ya que esto causará un daño irreversible a la batería.

- Cuando se haya completado la carga, retire la batería del cargador presionando el botón pulsador de trabado y deslizando la batería hacia atrás para destrabarla del cargador.

## Carga de una batería caliente o fría

Las luces verdes indicadoras en la base del cargador indican que las temperaturas de las baterías están fuera del rango de carga. Una vez que las baterías estén a una temperatura dentro del rango aceptable, se cargarán normalmente y las luces rojas serán continuas. Las baterías frías o calientes pueden tardar más tiempo en cargarse.

Estado de carga de batería de iones de litio			
Temperatura de batería	Luz indicadora de base de cargador	Luz indicadora de batería	Estado de carga
Demasiado caliente	Verde	Parpadeando juntas	No está cargándose
Rango normal	Rojo	Parpadeando una por una	Carga normal
Muy fría	Verde	Parpadeando juntas	No está cargándose

## Operaciones

**⚠ ¡ADVERTENCIA! EVITE LESIONES PERSONALES.**

Lea y entienda en su totalidad la sección de seguridad antes de proceder.

**NOTA:** antes de insertar las baterías, compruebe que la barrena y las placas de goma del quitanieve estén firmemente aseguradas. Lleve a cabo un encendido de prueba para asegurarse de que la barrena gire libremente.

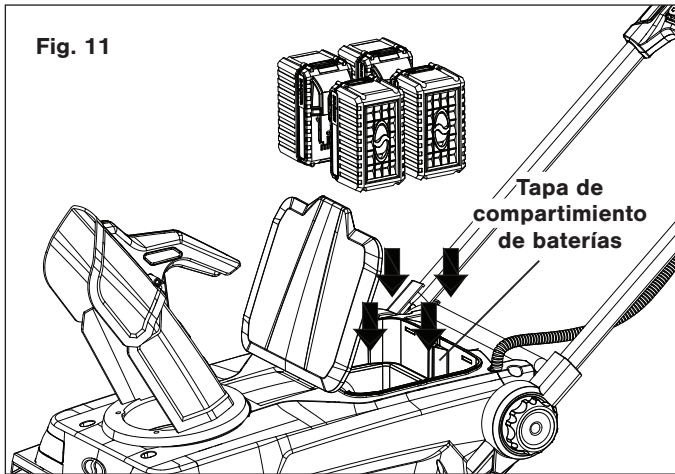
## SOLO HERRAMIENTA BATERÍA Y CARGADOR DE VENTA POR SEPARADO

Para operar su quitanieve inalámbrico usted necesitará cuatro baterías y un cargador del sistema iON+ de 24 V. Vea la página 37 para las opciones y especificaciones de batería y cargador, o visite snowjoe.com.

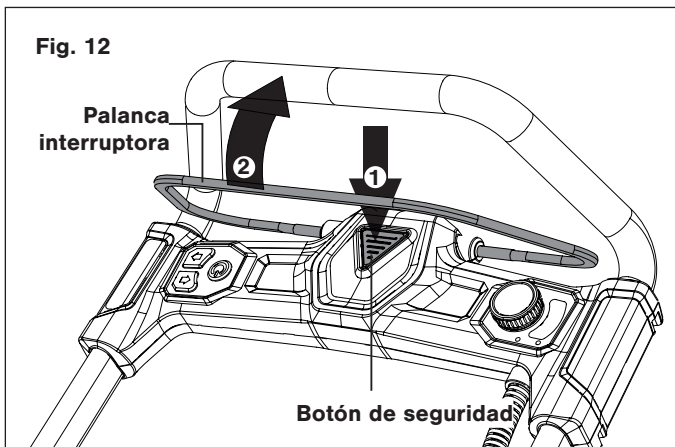
## Arranque y parada

**⚠ ¡ADVERTENCIA!** La barrena empieza a girar inmediatamente después de que el quitanieve se enciende. Mantenga las manos y pies alejados de la barrena.

1. Levante la tapa del compartimiento de baterías e inserte las cuatro baterías hasta que hagan “clic” en su lugar (Fig. 11). Cierre la tapa del compartimiento de baterías.



2. Para encender el quitanieve, presione el botón de seguridad y, sin soltarlo, apriete la palanca interruptora (Fig. 12).



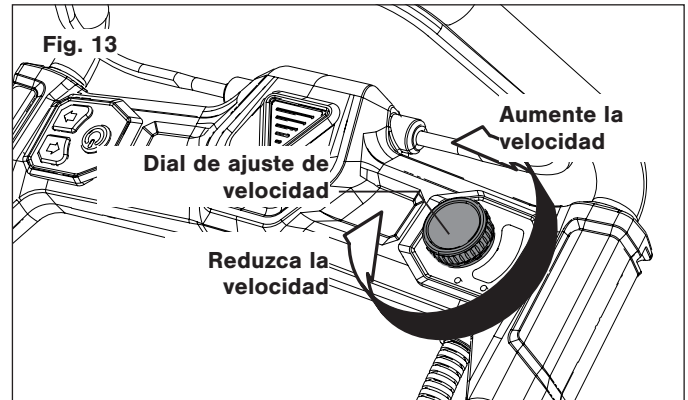
3. Una vez que el quitanieve arranque, suelte el botón de seguridad y proceda con la operación.
4. Para apagar el quitanieve, suelte la palanca interruptora.

## Ajuste de la velocidad de la barrena

Este quitanieve está equipado con un sistema de ajuste de velocidad de barrena, que puede modificar de baja a alta dicha velocidad. Siga las instrucciones para ajustar la velocidad de barrena según las necesidades del entorno de trabajo. Considere el tiempo de trabajo, volumen de nieve, y entorno al ajustar la velocidad de la barrena. En general, las velocidades bajas de barrena permiten un mayor tiempo de funcionamiento de batería, pero menos capacidad de retiro de nieve y una menor distancia de lanzamiento. Vea la siguiente tabla para ver las especificaciones afectadas por la velocidad de la barrena.

	Velocidad MÍNIMA de barrena	Velocidad MÁXIMA de barrena
Distancia de lanzamiento	25 pies (7.6 m)	30 pies (9 m)

1. Para incrementar la velocidad de la barrena, mueva el dial de velocidad en sentido antihorario con la palanca interruptora apretada (Fig. 13).
2. Para reducir la velocidad de la barrena, mueva el dial de velocidad en sentido horario con la palanca interruptora apretada (Fig. 13).

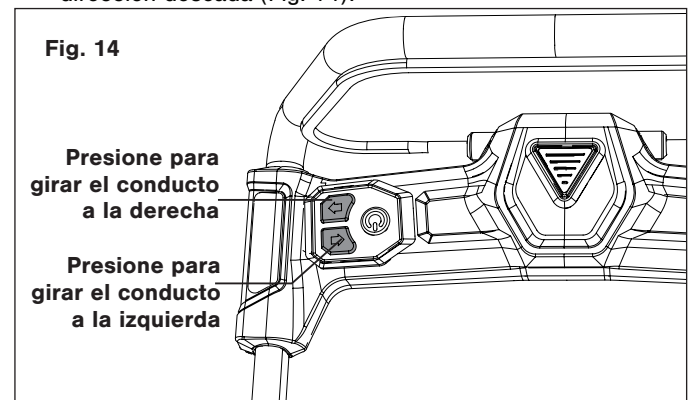


## Cambio de la dirección y altura de lanzamiento de nieve

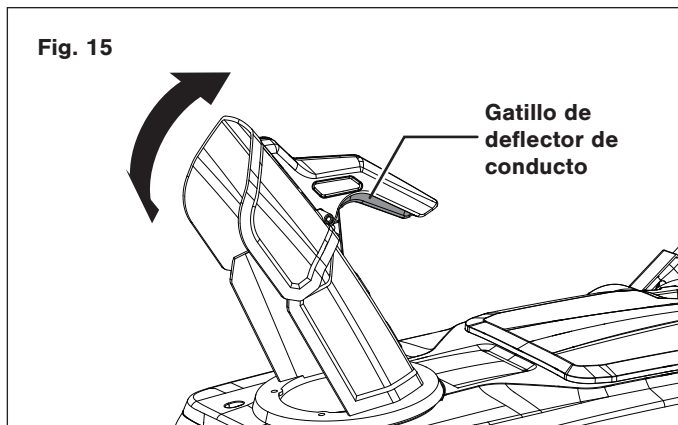
**⚠ ¡ADVERTENCIA!** Nunca apunte el conducto de descarga de nieve al operador, espectadores, vehículos o ventanas cercanas. Los objetos extraños lanzados junto con la nieve accidentalmente por el quitanieve pueden causar daños materiales y lesiones personales severas.

Siempre oriente el conducto de descarga a la dirección opuesta a donde usted, los espectadores, vehículos y ventanas estén ubicados.

1. El conducto de descarga puede ser girado 180° presionando el botón de rotación de conducto en la dirección deseada (Fig. 14).



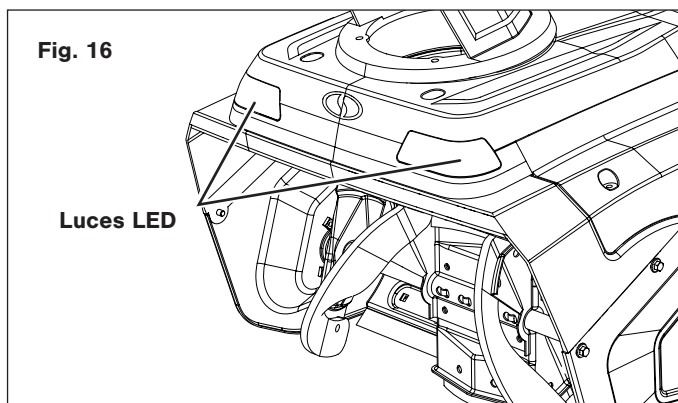
2. El deflector del conducto en la parte superior del conducto de descarga controla la altura del flujo de nieve. Para ajustar la altura a la que la nieve es lanzada, apriete el gatillo en el mango del deflector del conducto, y luego levante o baje el deflector del conducto. Suelte el gatillo en el mango del deflector del conducto para trabar el deflector en su lugar (Fig. 15).



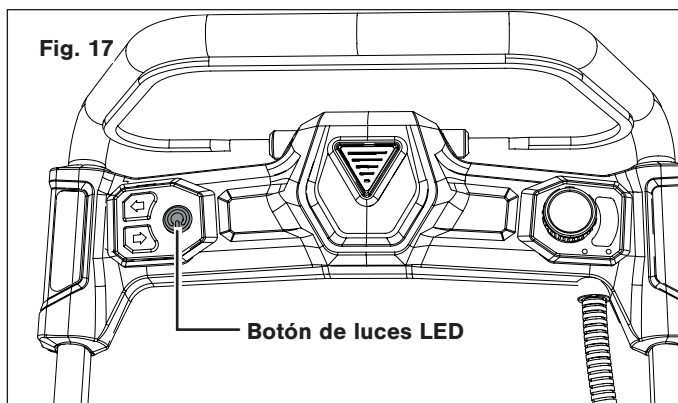
**NOTA:** SIEMPRE posicione el deflector de conducto de descarga a un ángulo seguro antes de activar la barrena. NO LANCE NIEVE MÁS ALTO DE LO NECESARIO.

## Luces frontales LED

Las luces frontales LED están ubicadas al frente del quitanieve (Fig. 16).



1. Para encender las luces frontales LED, presione el botón de luces LED (Fig. 17).



2. Para apagarla, presione el botón de luces LED nuevamente.

**NOTA:** después de usar su quitanieve, no se olvide de APAGAR la luz LED presionando el botón de luz LED.

## Consejos de operación

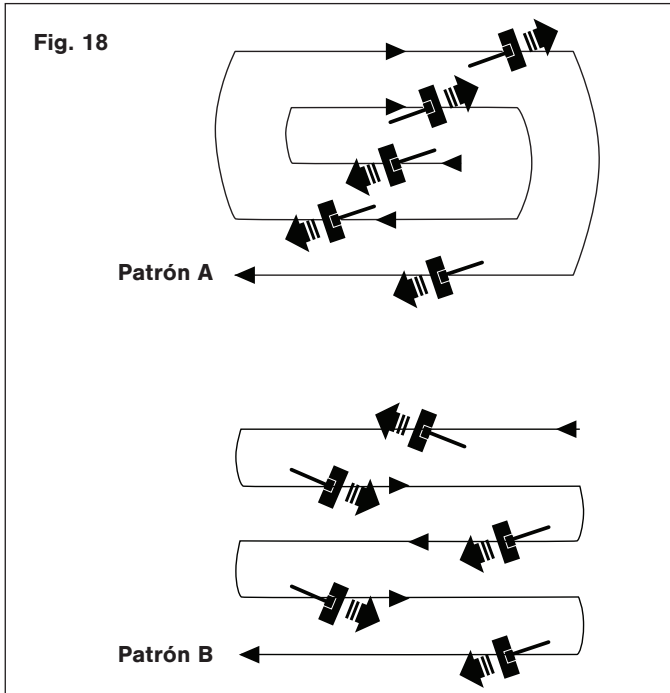
**⚠ ¡ADVERTENCIA!** Objetos extraños como piedras, vidrios rotos, clavos, alambres o cuerdas pueden ser recogidos y arrojados por el quitanieve, causando lesiones personales severas. Retire todos los objetos extraños del área a ser trabajada antes de operar el quitanieve.

La nieve se retira mejor tan pronto como sea posible después de una nevada.

1. Mantenga el área de trabajo libre de objetos extraños que puedan ser arrojados por las hojas de la barrena. Lleve a cabo una inspección completa del área, ya que algunos objetos pueden estar ocultos a la vista por la nieve. Si el quitanieve golpea una obstrucción o recoge un objeto extraño durante su uso, detenga el quitanieve, retire la batería, saque la obstrucción, e inspeccione la unidad para ver si se ha dañado. Repare o reemplace cualquier parte dañada antes de volver a encender y operar la unidad.
2. Mantenga a las mascotas, niños y espectadores alejados del área de operación. Tenga en cuenta que el ruido normal de la máquina al estar funcionando puede hacer difícil para usted oír a la gente acercarse.
3. Para despejar un área, haga funcionar la unidad por sobre una serie de rutas superpuestas. Para áreas grandes, empiece en el medio y lance nieve a cada lado de manera que la nieve no se despeje más de una vez.
4. Tenga en cuenta la dirección del viento. De ser posible, muévase en la misma dirección que el viento de manera que la nieve no sea lanzada contra el viento (y por tanto hacia su cara y por sobre la ruta recién despejada).
5. No empuje el quitanieve con demasiada fuerza. No exceda la capacidad de entrada o de lanzamiento de nieve.
6. Algunas partes del quitanieve se pueden congelar bajo temperaturas extremas. No intente operar el quitanieve con partes congeladas. Si las partes se congelan mientras el quitanieve está siendo usado, detenga el quitanieve, retire la batería e inspeccione las partes congeladas. Libere todas las partes antes de volver a encender u operar el quitanieve. Nunca fuerce controles que se hayan congelado.
7. En áreas más grandes se requiere un patrón definido de operación para despejar bien la nieve de un área. Estos patrones evitarán el lanzamiento de nieve en lugares no deseados, eliminando la necesidad de una segunda pasada para quitar nieve (Fig. 18).

Patrón A: lance la nieve hacia la derecha o izquierda, donde sea posible. Para áreas como una entrada larga para vehículos, es ventajoso empezar en el medio. Despeje desde un extremo al otro, lanzando nieve a ambos lados.

Patrón B: si la nieve puede solo ser lanzada a un lado del área a ser despejada, empiece en el lado opuesto.



## Mantenimiento

Para ordenar partes de repuesto o accesorios genuinos de su quitanieve inalámbrico 24V-X4-SB21-CT de Snow Joe®, visite [snowjoe.com](http://snowjoe.com) o comuníquese con la central de servicio al cliente Snow Joe® + Sun Joe® llamando al 1-866-SNOWJOE (1-866-766-9563).

**⚠ ¡ADVERTENCIA!** Asegúrese de apagar el interruptor y retirar las baterías antes de llevar a cabo cualquier tarea de mantenimiento en su quitanieve.

### Consejos generales de mantenimiento

- No intente reparar el quitanieve a no ser que usted tenga las herramientas e instrucciones apropiadas para desarmarlo y repararlo.
- Inspeccione los pernos y tornillos en intervalos frecuentes para un ajuste correcto y asegurarse de que el quitanieve esté en una condición de trabajo segura.
- Después de cada tarea de retiro de nieve, apague el motor, espere a que todas las partes giratorias se hayan detenido por completo, retire las baterías, y limpie la unidad de hielo y nieve residuales.

### Cuidado apropiado de las baterías y el cargador

**⚠ ¡ADVERTENCIA!** Para reducir el riesgo de lesiones personales, desenchufe siempre los cargadores y retire las baterías de los cargadores antes de llevar a cabo cualquier tarea de mantenimiento. Nunca desarme las baterías ni los

cargadores. Para TODAS las reparaciones, comuníquese con su distribuidor Snow Joe® + Sun Joe® o la central de servicio al cliente Snow Joe® + Sun Joe®.

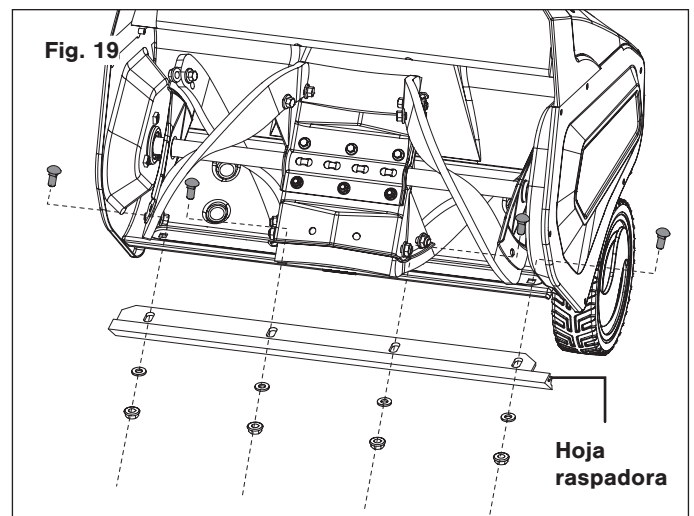
- Para reducir el riesgo de daños y lesiones personales, nunca sumerja las baterías ni cargadores en un líquido, ni permita que ningún líquido entre dentro de estos dispositivos.
- Limpie de polvo y residuos los conductos de ventilación de los cargadores y los contactos eléctricos soprándolos con aire comprimido.
- Use solo un paño humedecido con detergente suave para limpiar las baterías y cargadores, manteniendo el paño alejado de todos los contactos eléctricos. Ciertos agentes y solventes de limpieza son dañinos para los plásticos y otras partes aisladas. Algunos de estos incluyen gasolina, trementina, diluyente de laca, diluyente de pintura, solventes clorados para limpieza, amoníaco y detergentes caseros con amoníaco. Nunca use solventes inflamables o combustibles cerca de baterías, cargadores de batería, o herramientas.
- Los cargadores de baterías de iones de litio iON+ de 24 V no tienen partes reparables.

### Reemplazo de la barra raspadora

**¡IMPORTANTE!** El desgaste excesivo de la barra raspadora causará un daño a la carcasa de barrena.

Para reemplazar la barra raspadora:

1. Coloque la unidad en una superficie dura, plana, suave y nivelada.
2. Saque la barra raspadora gastada del quitanieve retirando los cuatro juegos de tuercas, arandelas y pernos que la sujetan en su lugar (Fig. 19).
3. Instale la nueva barra raspadora y asegúrela firmemente al quitanieve con los juegos originales de tuercas, arandelas y pernos.



### Reemplazo de hojas de barrena

Las hojas de la barrena se gastarán con el uso y el tiempo, lo que causará una limpieza incompleta. Si la unidad no puede retirar la nieve por completo y deja nieve en el suelo, considere



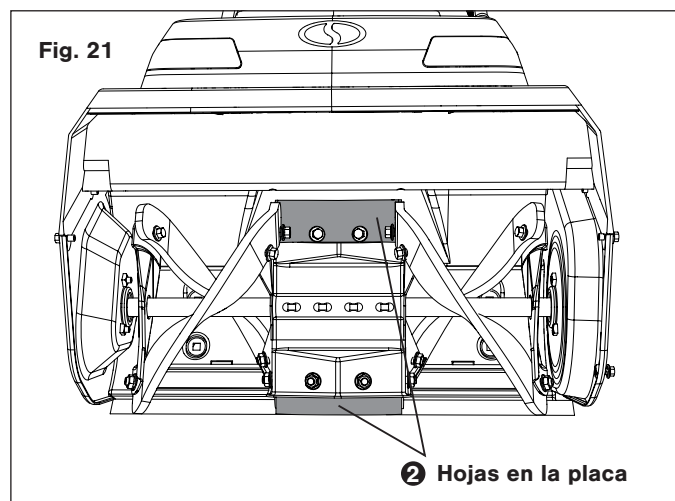
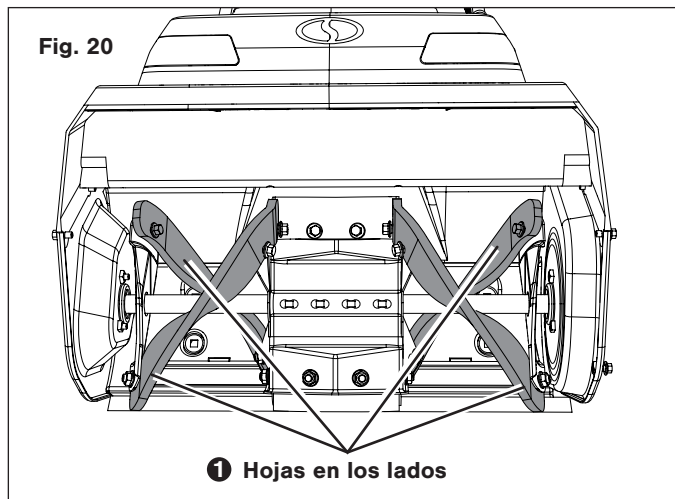
cambiar las hojas de la barrena.

**⚠ ¡ADVERTENCIA!** El reemplazo de las hojas de la barrena implica una operación muy cercana a la barrena y las hojas. Para evitar lesiones personales causadas por un encendido accidental, asegúrese de que no haya ninguna batería insertada antes de proceder con la operación, y use guantes de alta resistencia durante la operación.

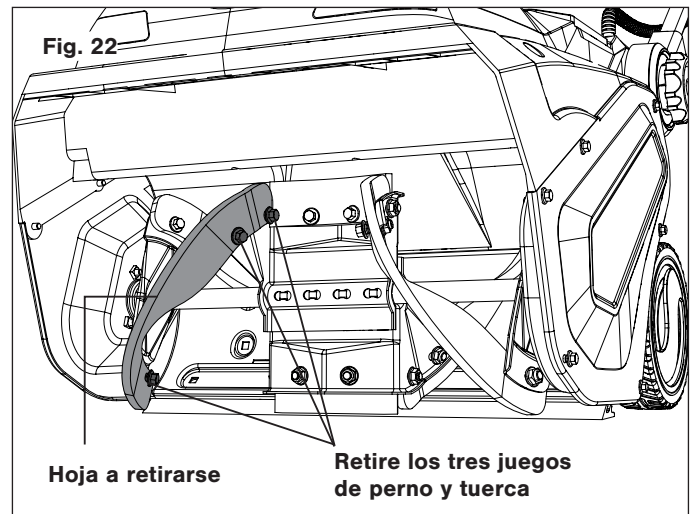
Herramientas requeridas (no incluidas):

- Llave de 10 mm;
- Llave de 13 mm; y
- Guantes de alta resistencia.

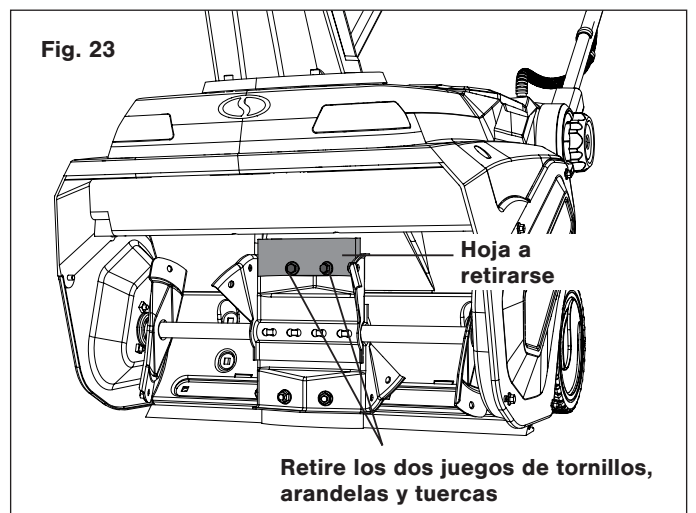
En el quitanieve hay un total de seis piezas de hojas sujetas por 16 juegos de tornillos, arandelas y tuercas. Al reemplazar las hojas de barrena gastadas, preste mucha atención al orden en el cual las retire. Primero retire las cuatro piezas de hoja en los lados, y luego las dos piezas de hoja fijadas en la placa de acero en medio. Ensamble las nuevas hojas de barrena en el orden inverso del desensamblado (Figs. 20 y 21).



1. Retire la primera hoja del lado usando una llave de 10 mm para sujetar fijamente el perno, y una llave de 13 mm para aflojar y retirar la tuerca. Repita la operación para retirar los tres juegos de tuercas y pernos, y delicadamente retire la hoja de la barrena (Fig. 22).



2. Repita la instrucción anterior para retirar las otras tres hojas ubicadas en los lados. Gire la barrena para sacar las hojas en la parte trasera.
3. Luego de que las cuatro hojas en los lados hayan sido retiradas, pase a retirar las dos hojas fijadas en la placa de acero intermedia. Use la llave de 10 mm para sujetar el perno fijamente, y use la llave de 13 mm para aflojar y retirar la tuerca. Repita en el otro juego de tuerca y perno, y delicadamente retire la hoja de la placa central (Fig. 23).



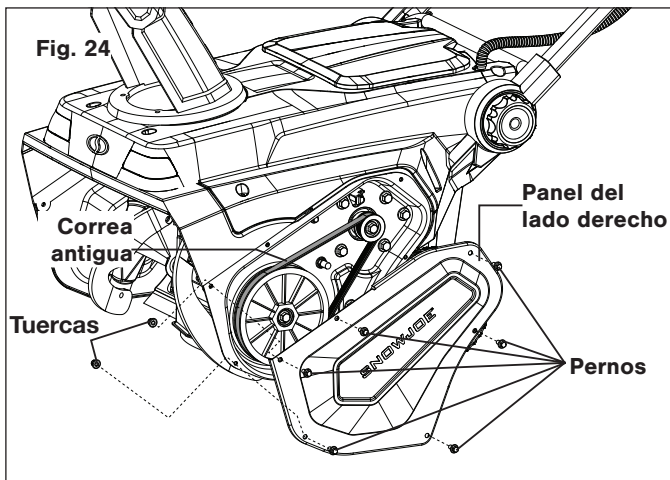
4. Gire la barrena para exponer la otra hoja en la placa. Siga la misma instrucción anterior para retirarla.
5. Luego de que todas las hojas antiguas hayan sido retiradas, ensamble las nuevas hojas siguiendo el orden inverso. Use los juegos originales de hardware para fijar las hojas en la barrena.

## Reemplazo de correa de impulso de barrena

Herramientas requeridas (no incluidas):

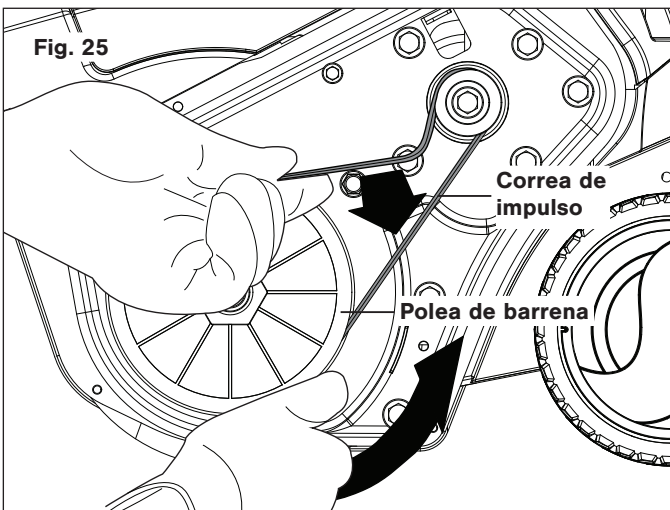
- Llaves de 10 mm (×2); y
- Guantes de alta resistencia.

1. Posicione la unidad en una superficie dura, plana y nivelada, con las baterías retiradas.
2. Empleando dos llaves de 10 mm, retire las tuercas y pernos usados para fijar el panel lateral derecho. Luego retire el panel lateral derecho para exponer la correa, tal como se muestra (Fig. 24).

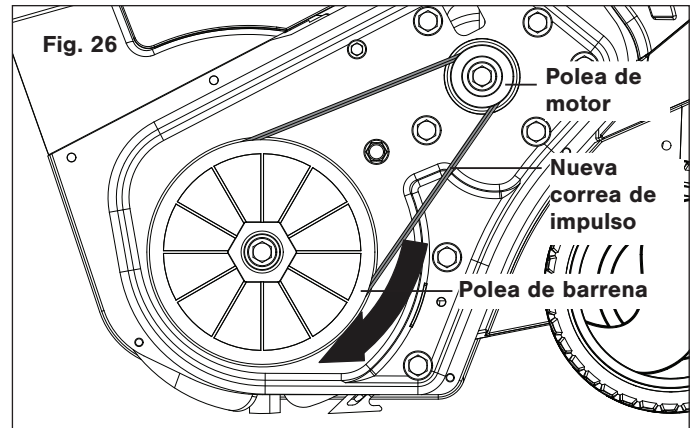


**NOTA:** los dos pernos ubicados a la izquierda tienen dos tuercas en la parte trasera, mientras que los otros cuatro no. Primero use una llave de 10 mm para sujetar los dos pernos de la izquierda, y con la otra llave de 10 mm retire las tuercas, para luego sacar todos los pernos.

3. Retire la correa de impulso girando lentamente la polea de barrena en sentido antihorario mientras jala la correa hacia afuera (Fig. 25).



4. Instale la nueva correa de impulso, rotándola sobre las poleas (Fig. 26).



**NOTA:** rote la nueva correa de impulso primero alrededor de la polea del motor, y después alrededor de la polea de barrena. Gire lentamente la polea de barrena en sentido horario para meter la correa hacia dentro.

5. Vuelva a colocar el panel lateral en el quitanieve y asegúrelo con el hardware original. El quitanieve está listo para usar.

## Almacenamiento

1. Examine el quitanieve inalámbrico cuidadosamente y compruebe que no haya partes gastadas, sueltas o dañadas. En caso de necesitar una reparación o reemplazar una parte, contacte a un concesionario autorizado Snow Joe® + Sun Joe® o comuníquese con la central de servicio al cliente Snow Joe® + Sun Joe® llamando al 1-866-SNOWJOE (1-866-766-9563) para obtener asistencia.
2. Limpie el quitanieve antes de guardarlo o transportarlo. Asegúrese de sujetar la unidad durante su transporte.
3. Retire las baterías del quitanieve inalámbrico antes de guardarlo.
4. Guarde el quitanieve inalámbrico en interiores, en un lugar seco y bajo llave, lejos del alcance de los niños para prevenir daños o un uso no autorizado.

## Almacenamiento de las baterías y cargadores fuera de temporada

- No esponga sus baterías o cargador al agua o lluvia, ni permita que se mojen. Esto podría dañar permanentemente las baterías y el cargador. No use aceites o solventes para limpiar o lubricar sus baterías ya que las cubiertas de plástico pueden tornarse quebradizas y romperse, causando un grave riesgo de lesiones personales.
- Guarde las baterías y el cargador a temperatura ambiente, lejos de la humedad. No los guarde en lugares húmedos donde los terminales se puedan corroer. Como con cualquier otro tipo de baterías, puede ocurrir una pérdida permanente de capacidad si las baterías son almacenadas por largos periodos de tiempo a elevadas temperaturas de más de 120°F (49°C).

- Las baterías de iones de litio LiON+ de 24 V mantienen su carga durante el almacenamiento por más tiempo que otras baterías. Como costumbre, es mejor desenchufar el cargador y retirar las baterías cuando no estén en uso. Recargue las baterías cada seis meses al 50% de su capacidad (dos luces encendidas) durante el almacenamiento fuera de temporada para mantener un rendimiento óptimo de las baterías.

## Precaución para la eliminación de las baterías

Deshágase de sus baterías de acuerdo con los reglamentos federales, estatales y locales. Para encontrar lugares de reciclaje, comuníquese con un servicio de reciclaje en su localidad.

**⚠ ¡PRECAUCIÓN!** Incluso las baterías descargadas contienen algo de energía. Antes de deshacerse de estas, use cinta aislante para cubrir los terminales de las baterías y evitar que hagan cortocircuito, lo cual puede causar una explosión o incendio.

**⚠ ¡ADVERTENCIA!** Para reducir el riesgo de lesiones personales o una explosión, nunca queme ni incinere una batería incluso si está dañada, inservible o completamente descargada. Al ser quemada, los humos y materiales tóxicos son lanzados a la atmósfera circundante.

- Las baterías varían de acuerdo al dispositivo. Consulte su manual para obtener la información específica.
- Instale solo nuevas baterías del mismo tipo en su producto (donde corresponda).
- No insertar las baterías con la polaridad correcta, tal como se indica en el compartimiento de baterías o en el manual, puede reducir el ciclo de vida útil de las baterías o causar fugas en estas.
- No combine baterías nuevas con antiguas.
- No combine baterías alcalinas, estándar (de zinc-carbono) o recargables (de níquel-cadmio, de níquel-hidruro metálico o de iones de litio).
- No arroje baterías al fuego.
- Las baterías deben ser recicladas o desechadas según los reglamentos locales y estatales.

## Servicio y soporte


Si su quitanieve inalámbrico 24V-X4-SB21-CT de Snow Joe® requiere servicio o mantenimiento, comuníquese con la central de servicio al cliente Snow Joe® + Sun Joe® llamando al 1-866-SNOWJOE (1-866-766-9563).

## Modelo y número de serie

Al comunicarse con la empresa, ordenar partes de repuesto o programar una reparación en un centro autorizado, usted necesitará proporcionar el modelo y número de serie, los cuales se encuentran en la etiqueta ubicada en la carcasa de la unidad. Copie estos números en el espacio proporcionado a continuación.

Registre los siguientes números que se encuentran en la carcasa o mango de su nuevo producto:																			
Modelo:																			
2	4	V	-	X	4	-	S	B	2	1	-	C	T						
Nº de serie:																			

## Solución de problemas

 **¡ADVERTENCIA!** Siempre apague el quitanieve y retire las baterías antes de realizar cualquier tarea de ajuste, mantenimiento o reparación.

Problema	Causa posible	Solución
La unidad no enciende.	<ol style="list-style-type: none"> <li>1. Baterías sin carga.</li> <li>2. Baterías no instaladas y trabadas en su posición.</li> <li>3. Botón de seguridad no presionado.</li> </ol>	<ol style="list-style-type: none"> <li>1. Cargue las baterías.</li> <li>2. Reinserte la batería y trate de encender la máquina de nuevo.</li> <li>3. Presione el botón de seguridad y apriete la palanca interruptora.</li> </ol>
La barrena no gira cuando el motor está funcionando.	<ol style="list-style-type: none"> <li>1. Correa de barrena gastada.</li> <li>2. Correa de barrena no instalada apropiadamente.</li> </ol>	<ol style="list-style-type: none"> <li>1. Cambie la correa de impulso de barrena.</li> <li>2. Inspeccione la correa de impulso de barrena y asegúrese de que esté instalada de forma tensa en el riel.</li> </ol>
El conducto no gira al presionar el botón.	<ol style="list-style-type: none"> <li>1. No hay energía.</li> <li>2. Se ha acumulado demasiada nieve mojada alrededor del conducto, evitando que gire el conducto.</li> </ol>	<ol style="list-style-type: none"> <li>1. Asegúrese de que las baterías estén cargadas e instaladas correctamente.</li> <li>2. Retire la nieve mojada de los alrededores del conducto.</li> </ol>
Queda nieve en el suelo luego de la limpieza.	<ol style="list-style-type: none"> <li>1. Hojas de barrena gastadas.</li> <li>2. Barra raspadora gastada.</li> </ol>	<ol style="list-style-type: none"> <li>1. Reemplace las hojas.</li> <li>2. Reemplace la barra raspadora.</li> </ol>

# Accesorios opcionales

**⚠ ¡ADVERTENCIA!** USE SIEMPRE solo partes de repuesto y accesorios Snow Joe® + Sun Joe®. NUNCA use partes de repuesto o accesorios que no estén destinados para su uso con este quitanieve inalámbrico. Comuníquese con Snow Joe® + Sun Joe® si tiene dudas sobre si es seguro usar una parte de repuesto o accesorio en particular con su quitanieve inalámbrico. El uso de cualquier otro accesorio o parte puede ser peligroso y puede causar lesiones personales o daños mecánicos.

Accesorio	Descripción	Modelo
<p>1</p> 	<p>Cargador rápido de batería de iones de litio iON+ de 24 V</p>	<p>24VCHRG-QC</p>
<p>2</p> 	<p>Cargador de doble puerto para baterías de iones de litio iON+ de 24 V</p>	<p>24VCHRG-DPC</p>
<p>3</p> 	<p>Cargador de alta velocidad de doble puerto para baterías de iones de litio iON+ de 24 V</p>	<p>24VCHRG-HS-DPC</p>
<p>Visite <a href="http://snowjoe.com">snowjoe.com</a> para más opciones</p>		

**NOTA:** los accesorios están sujetos a cambios sin obligación alguna por parte de Snow Joe® + Sun Joe® de notificar sobre dichos cambios. Los accesorios pueden ser pedidos en línea en [snowjoe.com](http://snowjoe.com) o vía telefónica llamando a la central de servicio al cliente Snow Joe® + Sun Joe® al 1-866-SNOWJOE (1-866-766-9563).



## LA PROMESA DE SNOW JOE® + SUN JOE® AL CLIENTE

**POR SOBRE TODO**, en Snow Joe, LLC (“Snow Joe”) estamos dedicados a usted, nuestro cliente. Nos esforzamos por hacer que su experiencia sea lo más placentera posible. Desafortunadamente, hay veces en que un producto Snow Joe®, Sun Joe®, o Aqua Joe® (el “Producto”) no funciona o sufre un desperfecto bajo condiciones normales de operación. Creemos que es importante que usted sepa que puede confiar en nosotros. Es por eso que tenemos esta Garantía Limitada (la “Garantía”) para nuestros Productos.

### NUESTRA GARANTÍA:

Snow Joe garantiza que sus Productos motorizados y no motorizados, nuevos y genuinos, están libres de defectos materiales o de mano de obra al ser usados en tareas domésticas normales durante un periodo de dos (2) años a partir de la fecha de compra por parte del comprador original y usuario final, cuando este último los compra a través de Snow Joe o un vendedor autorizado por Snow Joe y ha obtenido un comprobante de compra. Ya que Snow Joe no puede controlar la calidad de sus Productos vendidos por vendedores no autorizados, a menos que la ley lo prohíba esta Garantía no cubre Productos adquiridos a través de vendedores no autorizados. Si su Producto no funciona, o hay un problema con una parte específica que está cubierta por los términos de esta Garantía, Snow Joe elegirá entre: (1) enviarle una parte de repuesto gratuita; (2) reemplazar el Producto con uno nuevo o similar sin costo alguno; o (3) reparar el Producto. ¡Un excelente soporte!

**Esta Garantía le da derechos legales específicos, y usted puede también tener otros derechos según el Estado.**

### REGISTRO DEL PRODUCTO:

Snow Joe le recomienda enfáticamente registrar su Producto. Puede registrar su producto en línea visitando [snowjoe.com/register](http://snowjoe.com/register), imprimiendo y enviando por correo una tarjeta de registro disponible en línea en nuestro sitio Web, llamando a nuestra central de servicio al cliente al **1-866-SNOWJOE (1-866-766-9563)**, o enviándonos un e-mail a [help@snowjoe.com](mailto:help@snowjoe.com). Si usted no registra su Producto, sus derechos de garantía no disminuirán; sin embargo, registrar su Producto permitirá que Snow Joe le pueda atender mejor si usted tiene alguna necesidad como cliente.

### ¿QUIÉN PUEDE SOLICITAR COBERTURA DE GARANTÍA LIMITADA?

Esta Garantía es otorgada por Snow Joe al comprador original y propietario original del Producto.

### ¿QUÉ NO ESTÁ CUBIERTO?

Esta Garantía no se aplica si el Producto ha sido usado de forma comercial o en aplicaciones no domésticas o de alquiler. Esta Garantía tampoco se aplica si el Producto fue adquirido desde un vendedor no autorizado. Esta garantía tampoco cubre cambios cosméticos que no afecten el funcionamiento del Producto. Las partes desgastables como correas, brocas y cuchillas no están cubiertas por esta Garantía, y pueden ser compradas visitando [snowjoe.com](http://snowjoe.com) o llamando al **1-866-SNOWJOE (1-866-766-9563)**.



A series of horizontal lines for writing, consisting of 20 lines spaced evenly down the page.





# SOUFFLEUSE À NEIGE SANS CORDON – OUTIL SEULEMENT

**MANUEL D'UTILISATION**

96 V MAX.\* | 53 cm

Une division de Snow Joe, LLC

**Modèle 24V-X4-SB21-CT**

Formulaire n° SJ-24V-X4-SB21-CT-880E-M

## IMPORTANT!

### Consignes de sécurité

### Tous les utilisateurs doivent lire ces instructions avant utilisation

Lire et comprendre toutes les instructions avant d'utiliser cette souffleuse à neige. Les précautions de sécurité élémentaires doivent toujours être suivies pour réduire le risque d'incendie, de secousse électrique ou de lésions corporelles.

## Sécurité générale

**⚠️ AVERTISSEMENT!** Cette machine n'est pas destinée à être utilisée par des enfants ou par des personnes qui ne sont ni assistées ni supervisées et dont les capacités physiques, sensorielles ou mentales les empêchent de l'utiliser sans danger. Les enfants doivent être supervisés afin de s'assurer qu'ils ne jouent pas avec la machine.

Avant d'utiliser votre souffleuse à neige, veuillez l'inspecter soigneusement pour vérifier si elle présente d'éventuels défauts. Si vous constatez le moindre défaut, ne l'utilisez pas. Communiquez plutôt avec votre revendeur Snow Joe® + Sun Joe® agréé ou appelez le service à la clientèle Snow Joe® + Sun Joe® au 1-866-SNOWJOE (1-866-766-9563).

**⚠️ AVERTISSEMENT!** Lors de l'utilisation de la souffleuse à neige, les précautions de sécurité élémentaires doivent toujours être prises afin de réduire le risque de lésions corporelles. Il s'agit des précautions suivantes :

- **Rester vigilant** – Surveillez ce que vous faites. Faites preuve de bon sens. N'utilisez pas la souffleuse à neige si vous êtes fatigué, si vous êtes sous l'emprise de l'alcool ou de la drogue ou si vous avez pris des médicaments.
- **S'habiller en conséquence** – Ne portez ni vêtements amples ni bijoux, ceux-ci pouvant se prendre dans les pièces mobiles. Nouez les cheveux longs. Pour tout travail à l'extérieur, il est recommandé de porter des gants de protection et des chaussures à semelle antidérapante.
- **Utilisation** – Cette souffleuse à neige est destinée à être utilisée sur une surface revêtue. Ne l'utilisez pas sur du gravier, de la pierre ou sur toute autre surface non revêtue. N'utilisez pas cette souffleuse à neige pour des travaux différents de ceux auxquels elle est destinée.
- **Équipement de protection individuelle** – Portez en permanence des lunettes de sécurité lors de l'utilisation de la souffleuse à neige.
- **Ne pas forcer la souffleuse à neige** – Pour un rendement optimal et une utilisation sans danger, utilisez la souffleuse

à neige au régime du moteur pour lequel elle a été conçue.

- **Ne pas s'arc-bouter** – Restez en permanence sur les deux pieds pour ne pas perdre l'équilibre. Ne vous laissez pas surprendre par l'irrégularité du revêtement et ne vous arc-boutez pas. Si vous chutez ou si vous heurtez la souffleuse à neige, inspectez la machine pour vérifier la présence éventuelle de dommages ou de fissures. Lorsque vous reculez, veillez à éviter tout obstacle sous vos pieds ou derrière vous.
- **Pièces mobiles** – Maintenez le visage, les cheveux, les vêtements, les mains et les pieds à l'écart de toutes les pièces mobiles. Toutes les protections et tous les accessoires de sécurité doivent être convenablement posés avant d'utiliser la machine. Coupez le contact et débranchez les blocs-piles avant de toucher les pièces autres que les poignées et l'interrupteur.

**⚠️ AVERTISSEMENT!** Si la souffleuse à neige heurte quoi que ce soit, suivre ces étapes :

1. Arrêter la souffleuse à neige et retirer les blocs-piles.
2. Vérifier que rien n'est endommagé.
3. Réparer tout dommage avant de redémarrer et d'utiliser à nouveau la souffleuse à neige.

**⚠️ AVERTISSEMENT!** Avant de régler, inspecter, réparer ou nettoyer la souffleuse à neige, lors d'un changement d'accessoire, toujours relâcher le levier marche/arrêt, retirer les blocs-piles et patienter jusqu'à ce qu'aucune pièce ne soit plus en mouvement. Chacune de ces opérations doit être effectuée une fois que les pièces rotatives à l'intérieur de la souffleuse à neige se sont complètement arrêtées. Ces mesures préventives de sécurité visent à réduire le risque de démarrage accidentel de la machine électrique.

**⚠️ AVERTISSEMENT!** Si vous remplacez une pièce, quelle qu'elle soit, vous devez strictement observer les instructions et les procédures décrites dans ce manuel d'utilisation. Des précautions spéciales doivent être prises pour toutes les pièces en caoutchouc dans la mesure où ces pièces peuvent surcharger le moteur et réduire sa puissance mécanique si elles sont endommagées.

**⚠️ AVERTISSEMENT!** Si vous remarquez que la souffleuse à neige ne fonctionne pas normalement ou si vous entendez des sons anormaux provenant du moteur quand il tourne, arrêtez immédiatement la machine, déconnectez les blocs-piles et communiquez avec le service à la clientèle Snow Joe® + Sun Joe® au 1-866-SNOWJOE (1-866-766-9563).

*\*Genera un voltaje máximo de 96 V con cuatro baterías de iones de litio de 24 V. El voltaje inicial sin carga, cuando la batería está cargada por completo, alcanza un máximo de 24 V. El voltaje nominal bajo una carga típica es de 21.6 V.*

## Sécurité de la zone de travail

- **Zone de travail** – Inspectez toujours la zone dans laquelle la machine sera utilisée et assurez-vous qu'elle est bien éclairée.
- **Maintenir les spectateurs à bonne distance** – Tous les spectateurs et les animaux familiers doivent être maintenus à une distance de sécurité de la zone de travail.

## Entretien et remisage

**⚠ AVERTISSEMENT!** N'utiliser ni détergents, ni acides, ni solutions alcalines, ni eau de Javel, ni solvants, par exemple de l'acétone, pour nettoyer votre souffleuse à neige. Ces substances peuvent endommager les pièces en plastique de la machine.

- **Remiser à l'intérieur** – Lorsque vous ne l'utilisez pas, la machine doit être remise à l'intérieur dans un endroit sec et inaccessible aux enfants.
- **Inspecter avant utilisation** – Examinez visuellement la machine pour vérifier qu'il n'y a ni attaches desserrées ni pièces usées, manquantes ou endommagées. Assurez-vous que les attaches sont toutes bien serrées et que la machine peut être utilisée en toute sécurité.

## Consignes de sécurité concernant les batteries et les chargeurs

**REMARQUE** : ce produit est un outil seulement. La batterie et le chargeur ne sont pas inclus. Ils doivent être achetés séparément.

Le modèle 24V-X4-SB24-CT est compatible avec les batteries et chargeurs du système 24V iON+. Pour plus de renseignements, voir la page 57.

Nous avons consacré beaucoup de temps à la conception de chaque bloc-piles afin de nous assurer de vous fournir des batteries qui peuvent être utilisées sans danger, sont robustes et ont une énergie volumique élevée. Les cellules de batterie sont munies d'un large éventail de dispositifs de sécurité. Chaque cellule individuelle est initialement formatée et ses courbes électriques caractéristiques sont enregistrées. Ces données sont ensuite utilisées exclusivement pour assembler les meilleurs blocs-piles possibles.

Malgré toutes ces mesures de précaution, il faut toujours faire preuve de prudence lors de la manipulation de batteries. Pour utiliser sans danger les batteries, les points suivants doivent être observés en permanence. L'utilisation sans danger peut uniquement être garantie si les cellules sont intactes. Toute manipulation inappropriée des blocs-piles peut endommager les cellules.

**IMPORTANT!** Les analyses confirment que la mauvaise utilisation de batteries à haut rendement et un entretien laissant à désirer sont les principaux facteurs responsables de dommages corporels et/ou des produits.

**⚠ AVERTISSEMENT!** Utiliser uniquement des batteries de rechange homologuées. D'autres types de batteries peuvent endommager la machine et empêcher son bon fonctionnement, ce qui peut entraîner de graves dommages corporels.

**⚠ AVERTISSEMENT!** Ne pas utiliser de blocs-piles ou une machine endommagés ou modifiés. Les batteries endommagées ou modifiées peuvent se comporter de manière imprévisible et être la cause d'un incendie, d'une explosion ou de dommages corporels.

Faites réparer ou entretenir vos blocs-piles par un réparateur qualifié utilisant uniquement des pièces de rechange identiques. C'est à ce prix que la sécurité des blocs-piles sera préservée.

**⚠ MISE EN GARDE!** Pour réduire le risque de lésions corporelles, utiliser uniquement les chargeurs iON+ de 24 V d'origine désignés pour les blocs-piles iON+ de 24 V. L'utilisation d'autres types de batteries ou de chargeurs présente des risques d'incendie et de dommages corporels et matériels. Ni modifier la machine ou les blocs-piles ni essayer de les réparer, sauf précisions contraires concernant leur utilisation ou leur entretien. Ne brancher aucun bloc-piles sur le secteur ou l'allume-cigare d'une voiture, car une mauvaise utilisation de ce type désactivera et endommagera irrémédiablement le bloc-piles.

**⚠ AVERTISSEMENT!** Pour réduire le risque de secousse électrique, toujours débrancher les chargeurs avant d'effectuer un nettoyage ou un entretien. Ne pas laisser d'eau couler dans les chargeurs. Pour réduire le risque de secousse électrique, utiliser un disjoncteur différentiel de fuite de terre (DDFT).

- **Éviter les endroits dangereux** – Ne chargez pas les blocs-piles sous la pluie, sous la neige ou dans les endroits humides ou mouillés. N'utilisez pas les blocs-piles ou les chargeurs lorsque l'atmosphère est explosive (vapeurs d'essence, poussière ou matières inflammables), des étincelles pouvant se produire lors de l'insertion ou le retrait des blocs-piles, ce qui pourrait provoquer un incendie.
- **Charger dans un endroit bien ventilé** – N'obstruez pas les fentes d'aération des chargeurs. Dégagez le voisinage immédiat des chargeurs pour qu'ils soient bien ventilés. Interdisez de fumer et n'autorisez la présence d'aucune flamme nue à proximité d'un bloc-piles se chargeant. Les gaz dégagés dans l'atmosphère peuvent exploser.

**REMARQUE** : la zone de températures de sécurité pour les batteries est comprise entre 5 °C et 40,5 °C. Ne chargez pas les batteries à l'extérieur lorsqu'il gèle, chargez-les à température ambiante.









- **Prendre soin du cordon des chargeurs** – Pour réduire le risque d'endommager la fiche électrique et le cordon lorsque vous débranchez un chargeur, tirez sur la fiche dans la prise et non sur le cordon. Ne transportez jamais un chargeur par le cordon et ne tirez pas brusquement sur le cordon pour le retirer de la prise. Maintenez le cordon à l'écart de la chaleur, de l'huile et des arêtes vives. Pendant l'utilisation d'un chargeur, assurez-vous que personne ne marche sur le cordon, ne trébuche dessus et qu'il ne peut être ni endommagé ni soumis à des tensions ou des pressions. N'utilisez pas un chargeur si sa fiche ou son cordon est endommagé. Remplacez immédiatement tout chargeur endommagé.
- **Ne pas utiliser de rallonge électrique, sauf nécessité absolue** – L'utilisation d'une rallonge électrique mal adaptée, endommagée ou mal branchée présente des risques d'incendie et de secousse électrique. S'il s'avère nécessaire d'utiliser une rallonge électrique, branchez un chargeur

dans une rallonge électrique de calibre 16 ou plus gros, la fiche femelle correspondant à la fiche mâle sur le chargeur. Vérifiez que la rallonge électrique est en bon état.

- **Ne pas exposer au feu la machine ou les blocs-piles** – Une exposition au feu ou à une température supérieure à 130 °C peut déclencher l'explosion des blocs-piles et entraîner des dommages corporels ou matériels. Des gaz et des particules toxiques se dégagent de blocs-piles qui brûlent.
  - Avant utilisation, vérifiez la tension nominale pour le chargeur : le chargeur doit être branché dans une prise appropriée.
  - **Utiliser uniquement les accessoires recommandés** – L'utilisation d'un accessoire non recommandé par le fabricant présente des risques d'incendie, de secousse électrique ou de lésions corporelles.
  - **Ne pas écraser, faire tomber ou endommager les blocs-piles** – N'utilisez pas les blocs-piles ou les chargeurs s'ils ont reçu un coup brutal, s'ils sont tombés, s'ils ont été écrasés ou endommagés d'une façon ou d'une autre (c.-à-d., percés par un clou, frappés d'un coup de marteau, foulés au pied, etc.).
  - **Ne rien démonter** – Un remontage mal effectué peut poser un risque important de secousse électrique, d'incendie ou d'exposition aux produits chimiques toxiques de la batterie. Si les blocs-piles ou les chargeurs sont endommagés, veuillez communiquer avec un revendeur Snow Joe® + Sun Joe® agréé ou appeler le service à la clientèle Snow Joe® + Sun Joe® au 1-866-SNOWJOE (1-866-766-9563) pour de l'aide.
  - **Les produits chimiques d'une batterie peuvent occasionner de graves brûlures** – Ne laissez jamais un bloc-piles endommagé entrer en contact avec la peau, les yeux ou la bouche. S'il est endommagé, les produits chimiques du bloc-piles réagiront violemment avec l'air. Utilisez des gants en caoutchouc ou en néoprène pour l'éliminer sans danger. Si la peau est entrée en contact avec les produits chimiques d'une batterie, lavez la zone affectée à l'eau et au savon. Si les yeux sont entrés en contact avec les produits chimiques d'une batterie, rincez immédiatement à grande eau pendant 20 minutes et consultez un médecin. Retirez les vêtements contaminés et jetez-les.
  - **Risque de court-circuit** – Un court-circuit se produira si un objet en métal relie les contacts positif et négatif d'un bloc-piles. Ne placez aucun bloc-piles près de tout ce qui peut provoquer un court-circuit, par exemple un trombone, une pièce de monnaie, une clé, une vis, un clou ou tout autre objet métallique. Un bloc-piles en court-circuit présente un risque d'incendie et peut blesser gravement.
  - **Ranger les blocs-piles et les chargeurs dans un endroit frais et sec** – Idéalement, rangez les blocs-piles à 15 °C et chargez-les au moins à 40 %. Ne rangez ni les blocs-piles ni les chargeurs dans un endroit où la température peut être supérieure à 40,5 °C, par exemple directement sous les rayons du soleil ou à l'intérieur d'un véhicule, ou lorsqu'elle peut descendre en dessous de 5 °C.
- REMARQUE :** veillez à ce que les blocs-piles ne gèlent pas. Les blocs-piles qui ont été entreposés à une température inférieure à 0 °C pendant plus de 60 minutes doivent être éliminés.
- **Charger avant utilisation** – Les blocs-piles fournis avec votre machine ne sont que partiellement chargés. Les blocs-piles doivent être à charge complète avant d'utiliser la souffleuse à neige pour la première fois.
  - **Vieillessement des batteries** – Les batteries au lithium-ion s'usent naturellement avec le temps. Un bloc-piles doit être remplacé au plus tard lorsque sa capacité chute à 80 % de sa capacité d'origine, neuf. Les cellules affaiblies d'un bloc-piles usé ne peuvent plus produire la forte intensité exigée pour que votre machine fonctionne normalement, ce qui pose un risque pour la sécurité.
  - **Ne pas décharger complètement les blocs-piles** – La décharge totale des batteries endommagera leurs cellules. Le rangement prolongé d'une batterie est la cause la plus commune d'une décharge poussée. Arrêtez votre travail dès que vous remarquez que la puissance d'une batterie chute ou dès que le système de protection électronique se déclenche. Pour que les blocs-piles aient un rendement optimal, chargez-les fréquemment. Rangez les blocs-piles uniquement s'ils sont à charge complète.
  - **Ne pas charger le bloc-piles de façon excessive** – Évitez de surcharger la machine et les batteries. Les surcharges donneront rapidement lieu à une surchauffe et endommageront les cellules à l'intérieur du boîtier de batterie, même si cette surchauffe n'est pas visible de l'extérieur. Par mesure de sécurité, le coupe-circuit de protection intégré coupera l'alimentation électrique de la machine. Après une utilisation normale et avant de recharger les blocs-piles, laissez-les se refroidir à la température ambiante.
- IMPORTANT!** N'essayez pas d'allumer la machine si le coupe-circuit de protection a été activé. Vous pourriez endommager les blocs-piles.
- **Tension de sortie** – Veuillez vérifier les données marquées sur l'étiquette signalétique des chargeurs de batteries. Assurez-vous que la tension de l'alimentation électrique correspond à celle marquée sur l'étiquette signalétique. Ne les branchez jamais sur une tension de secteur différente. N'apportez aucune modification, quelle qu'elle soit, à la fiche. N'utilisez pas de fiches d'adaptation avec les outils mis à la terre.
  - **Utilisation des chargeurs** – N'utilisez pas les chargeurs de batteries qui sont fournis pour charger d'autres types de blocs-piles ou d'outils.
  - **Ne pas charger les blocs-piles de façon excessive** – Débranchez les chargeurs quand vous ne les utilisez pas. En chargeant de façon excessive les blocs-piles, vous endommagez les cellules. Ne laissez pas les batteries se charger pendant plusieurs jours consécutifs.
  - **Anormalités de bloc-piles** – N'utilisez ni batterie qui a enflé ou subi des déformations ni batterie présentant d'autres symptômes atypiques (dégagement de gaz, sifflement, fissures, etc.).
  - **Décharge électrostatique** – Lorsque vous manipulez une batterie, prenez garde aux décharges électrostatiques, car elles peuvent endommager le système de protection électronique et les cellules de la batterie. Pour éviter de produire des décharges électrostatiques, ne touchez jamais les bornes d'une batterie.

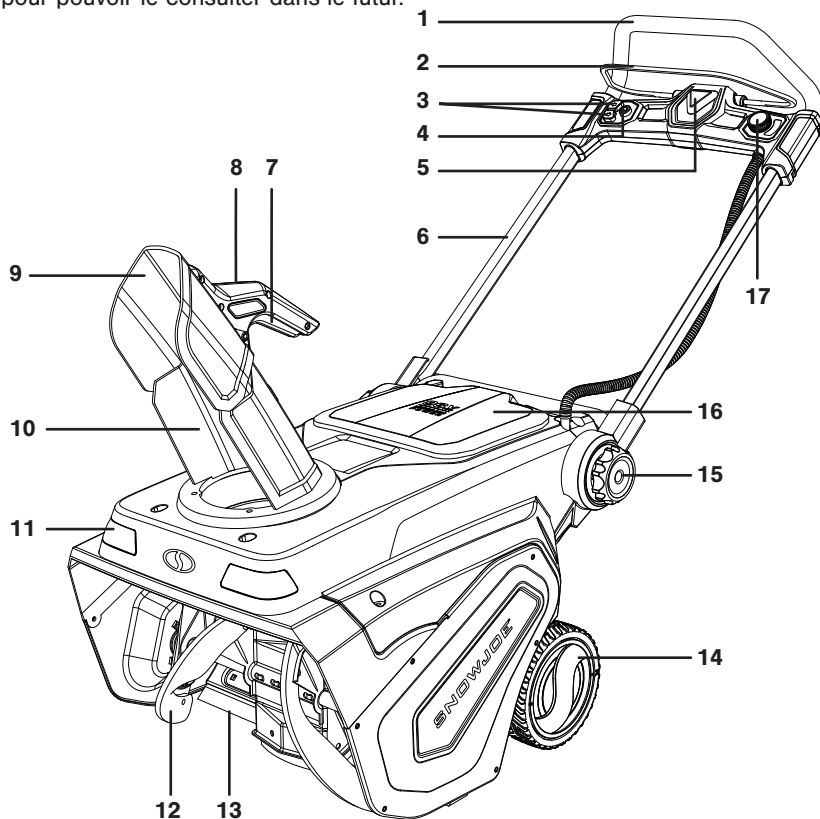
# Symboles de sécurité

Le tableau suivant décrit et explique les symboles de sécurité pouvant être marqués sur ce produit. Avant d'essayer de procéder à son assemblage et de l'utiliser, lisez, comprenez et suivez toutes les instructions sur cette machine.

Symboles	Descriptions	Symboles	Descriptions
	<b>LIRE LE MANUEL D'UTILISATION</b> – Lire, comprendre et suivre toutes les instructions du manuel avant d'essayer d'assembler et d'utiliser la machine.		<b>ALERTE DE SÉCURITÉ –</b> Indique une précaution, un avertissement ou un danger.
	<b>PORT OBLIGATOIRE DE PROTECTIONS DES YEUX ET DE L'OUÏE</b> – Pour éviter de se blesser, porter des protecteurs d'oreille et des lunettes de sécurité.		<b>AVERTISSEMENT!</b> Ne pas exposer la machine à la pluie ou une forte humidité. Maintenir au sec.
	Porter des gants de protection et des chaussures à semelle antidérapante pour utiliser la machine et manipuler les débris.		<b>MISE EN GARDE!</b> Attention aux pierres et à tout ce qui pourrait être projeté par la machine.
	<b>DANGER!</b> Danger de coupure/mutilation – Maintenir les mains à l'écart de la tarière rotative.		<b>DANGER!</b> Danger de coupure/mutilation – Maintenir les pieds à l'écart de la tarière rotative.
	Pour éviter de se blesser, maintenir les mains, les pieds et les vêtements à l'écart de la tarière rotative.		Ne pas utiliser les mains pour déboucher la goulotte.
	La pièce rotative continuera de tourner pendant plusieurs secondes après avoir arrêté la machine		Maintenir les spectateurs à une distance minimale de 15 m de la zone de travail.
	Utiliser uniquement les chargeurs de batteries à l'intérieur.		

# Apprenez à mieux connaître votre souffleuse à neige de 53 cm

Avant d'utiliser la souffleuse à neige, lisez attentivement le manuel d'utilisation et les consignes de sécurité. Pour vous familiariser avec l'emplacement des différents réglages et commandes, comparez l'illustration ci-dessous avec votre produit. Conservez ce manuel pour pouvoir le consulter dans le futur.



- |   |                                       |   |
|---|---------------------------------------|---|
| 1. Poignée rembourrée                                     | 6. Cadre de guidon                    | 12. Lames de tarière                              |
| 2. Levier marche/arrêt                                    | 7. Gâchette de déflecteur de goulotte | 13. Lame de raclage                               |
| 3. Boutons de rotation de goulotte (à gauche et à droite) | 8. Poignée de déflecteur de goulotte  | 14. Roue (2)                                      |
| 4. Bouton de phares à DEL                                 | 9. Déflecteur de goulotte             | 15. Bouton de verrouillage de cadre de guidon (2) |
| 5. Bouton de sécurité                                     | 10. Goulotte d'éjection               | 16. Compartiment à batteries                      |
|   | 11. Phare à DEL (2)                   | 17. Cadran de vitesse de tarière                  |

**VENDUS SÉPARÉMENT** | Un choix de batterie\* et de chargeurs est offert sur le site [snowjoe.com](http://snowjoe.com)

24VBAT-XR12      24VCHRG-QC

24VCHRG-DPC

24VCHRG-HS-DPC

\*POUR UTILISATION UNIQUEMENT AVEC LES BATTERIES iON+ DE 12,0 Ah ET 24 V.

## Données techniques

Moteur sans balais.....	2 800 W	Commande directionnelle.....	Goulotte pivotante à 180°
Largeur de déneigement.....	53 cm	Phares à DEL.....	3 W
Profondeur max. de tranchée de neige.....	30 cm	Taille des pneus.....	18 cm
Distance max. d'éjection.....	9 m	Tension max.* des batteries.....	96 VCC (4 x 24 V)
Rotor.....	Tarière à deux pales radiales	Entrée de chargeur.....	120 VCA   60 Hz   160 W
Régime à vide.....	1 400 ± 100 tr/min (rapide) 1 200 tr/min ± 100 tr/min (lent)	Sortie de chargeur.....	26 VCC   2,2 A (chaque support de charge)
Type de souffleuse.....	Mono-étagée	Temps max. de charge.....	6 heures
		Poids net.....	26 kg

\*Genera un voltaje máximo de 96 V con cuatro baterías de iones de litio de 24 V. El voltaje inicial sin carga, cuando la batería está cargada por completo, alcanza un máximo de 24 V. El voltaje nominal bajo una carga típica es de 21.6 V.



# Déballage

## Contenu de la caisse :

- Souffleuse à neige sans cordon avec cadre de guidon
- Ensemble goulotte d'éjection
- Vis de goulotte d'éjection (3)
- Clé hexagonale
- Manuel et carte d'enregistrement

**REMARQUE :** pour utiliser la souffleuse à neige sans cordon, il vous faut une batterie et un chargeur du système 24V iON+. Pour les options et spécifications de batteries, veuillez consulter la page 57 ou vous rendre sur le site snowjoe.com.

1. Retirez soigneusement la souffleuse à neige de la caisse et inspectez-la pour vérifier que tous les éléments énumérés ci-dessus sont fournis.
2. Inspectez soigneusement le contenu afin de vous assurer qu'aucun élément ne s'est cassé ou n'a été endommagé pendant l'expédition. Si vous constatez que des pièces manquent ou sont endommagées, NE PAS retourner le produit au magasin. Veuillez appeler le service à la clientèle Snow Joe® + Sun Joe® au 1-866-SNOWJOE (1-866-766-9563).
3. **REMARQUE :** ne jetez pas la caisse d'expédition et l'emballage tant que vous n'êtes pas prêt à utiliser la souffleuse à neige sans cordon. L'emballage est fabriqué dans des matériaux recyclables. Éliminez ces matériaux de façon appropriée et conformément à la réglementation ou conservez l'emballage pour le remisage de longue durée du produit.

**IMPORTANT!** Le matériel et son emballage ne sont pas des jouets. Ne laissez pas les enfants jouer avec les sacs en plastique, les feuilles métalliques ou les petites pièces. Ces éléments peuvent être avalés et risquent de provoquer une suffocation!

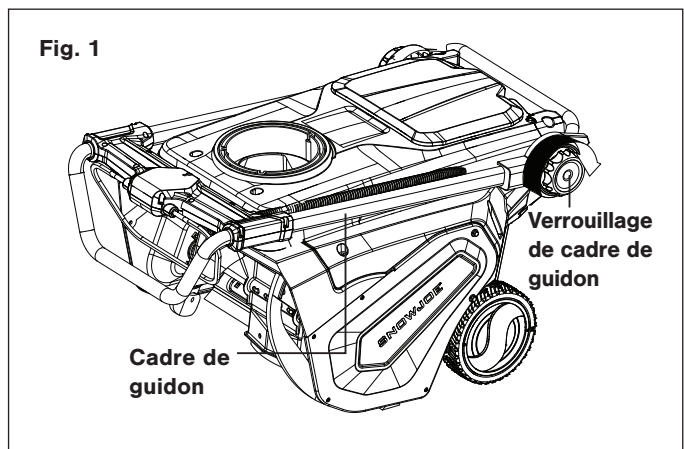
## Assemblage

**⚠️ AVERTISSEMENT!** Pour éviter de graves dommages corporels, lire et comprendre toutes les consignes de sécurité fournies.

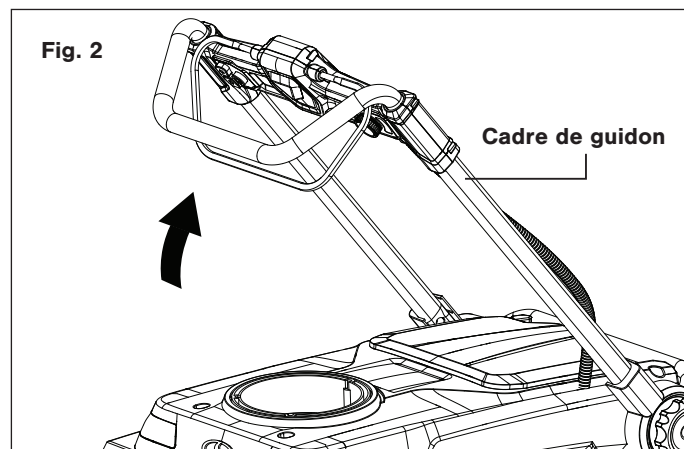
**⚠️ AVERTISSEMENT!** Le déballage et l'assemblage doivent être effectués sur une surface plane et stable, suffisamment d'espace étant prévu pour déplacer la machine et ses composants.

## Réglage du cadre de guidon

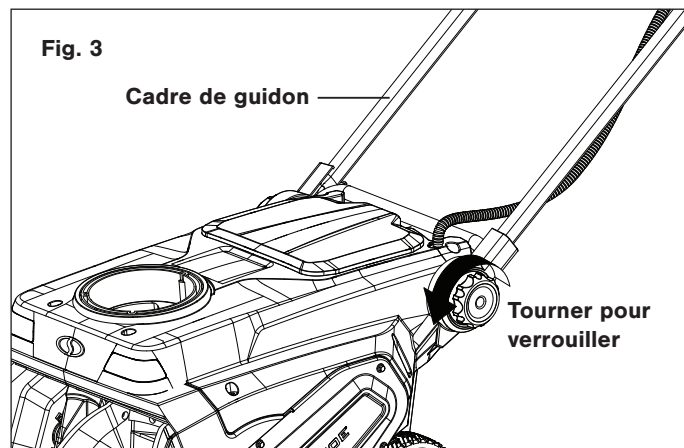
1. Déverrouillez le cadre de guidon en tournant dans le sens horaire les boutons de verrouillage des deux côtés (Fig. 1).



2. Relevez le cadre de guidon pour le placer dans une position confortable pour l'utilisateur (Fig. 2).



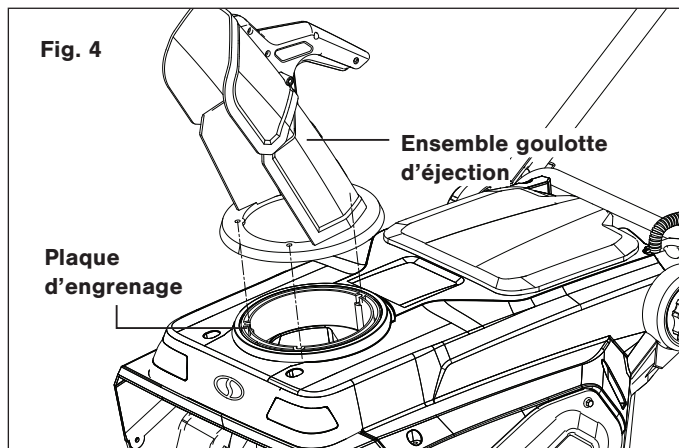
3. Une fois dans la position souhaitée, verrouillez le cadre de guidon en tournant dans le sens antihoraire les boutons de verrouillage des deux côtés (Fig. 3).



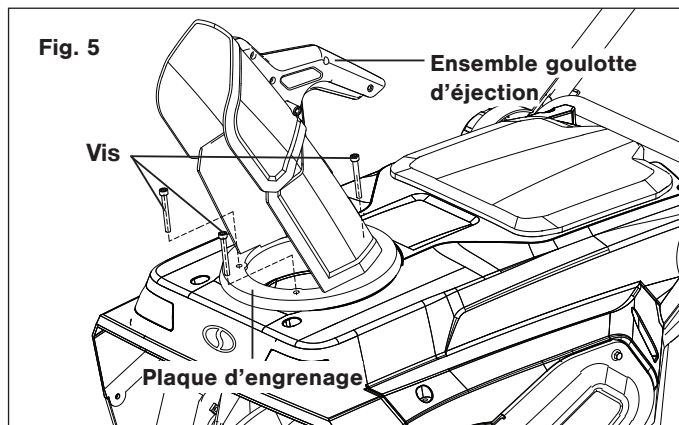


## Ensemble goulotte d'éjection

1. Placez l'ensemble goulotte d'éjection sur la plaque d'engrenage en alignant les trois trous de la plaque d'engrenage et poussez vers le bas jusqu'à ce que la goulotte repose bien à plat contre le caisson (Fig. 4).



2. À l'aide des trois vis de goulotte d'éjection, attachez l'ensemble goulotte d'éjection à la plaque d'engrenage, comme l'indique l'illustration. Serrez à l'aide de la clé hexagonale (Fig. 5).



## Utilisation des blocs-piles

La machine est alimentée par quatre batteries au lithium-ion. Les blocs-piles sont entièrement scellés et ne nécessitent aucun entretien.

### OUTIL SEULEMENT BATTERIE ET CHARGEUR VENDUS SÉPARÉMENT

Pour utiliser la souffleuse à neige sans cordon, il vous faut quatre batteries et un chargeur du système 24V iON+. Pour les options et spécifications de batteries et de chargeurs, veuillez consulter la page 57 ou vous rendre sur le site [snowjoe.com](http://snowjoe.com) pour plus de renseignements.

**⚠ AVERTISSEMENT!** La souffleuse à neige sans cordon peut uniquement être alimentée par les quatre batteries ensemble. Une seule batterie ne peut pas fournir suffisamment d'énergie à la machine. S'assurer d'utiliser quatre batteries de même tension et de même capacité. L'utilisation de la machine avec des batteries de différentes capacités endommagera les batteries.

## Témoin de charge de batterie

Les blocs-piles sont dotés d'un bouton-poussoir pour vérifier le niveau de charge. Appuyez simplement sur le bouton-poussoir pour lire le niveau de charge de la batterie à l'aide des témoins de charge :

- Les témoins de charge sont tous les trois allumés : le niveau de charge de batterie est élevé.
- Deux témoins de charge sont allumés : le niveau de charge de batterie diminue. Arrêtez votre travail dès que possible.
- Un témoin de charge est allumé : la batterie est à plat. Arrêtez IMMÉDIATEMENT votre travail et chargez la batterie. Sinon, la longévité de la batterie s'en trouvera considérablement réduite.

Témoins	Indications
	Bouton de niveau de charge
	La batterie est à 30 % de sa capacité et nécessite d'être chargée
	La batterie est à 60 % de sa capacité et nécessite d'être chargée bientôt
	La batterie est à charge complète

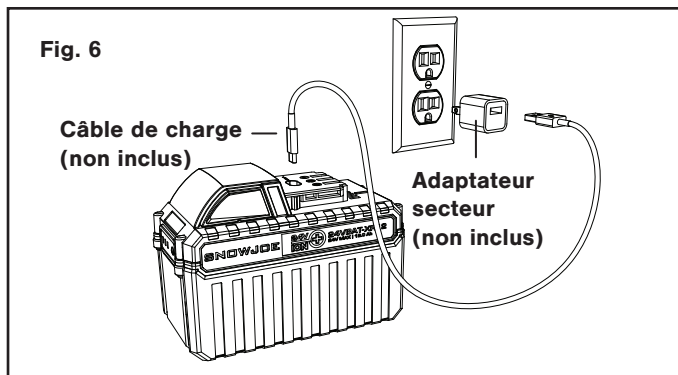
**REMARQUE :** si le bouton de niveau de charge ne semble pas fonctionner, placez au besoin le bloc-piles dans le chargeur et chargez.

**REMARQUE :** immédiatement après avoir utilisé les blocs-piles, le bouton de niveau de charge peut afficher une charge plus faible que si la vérification avait eu lieu quelques minutes plus tard. Les cellules des batteries « récupèrent » une partie de leur charge après une période de repos.

## Port de charge USB

À l'aide d'un câble de charge USB-C (non inclus), branchez le connecteur USB-C dans la batterie. Branchez ensuite l'autre extrémité du câble dans l'adaptateur secteur (non inclus) pour recharger la batterie dans une prise électrique (Fig. 6).

Les témoins de charge de batterie s'allumeront pour indiquer la progression de la charge en cours. Les témoins de charge s'allumeront tous les trois une fois que la batterie sera à charge complète; c'est à ce moment qu'il faudra débrancher la batterie du câble de charge.



**REMARQUE** : vous pouvez également recharger la batterie à l'aide d'autres appareils USB, par exemple un ordinateur.

**REMARQUE** : lorsqu'il n'est pas relié à une source d'alimentation électrique, le port USB-C peut également être utilisé pour recharger d'autres appareils électroniques, par exemple un téléphone intelligent ou une tablette.

## Utilisation des chargeurs

### OUTIL SEULEMENT BATTERIE ET CHARGEUR VENDUS SÉPARÉMENT

Pour utiliser la souffleuse à neige sans cordon, il vous faut quatre batteries et un chargeur du système 24V iON+. Pour les options et spécifications de batteries et de chargeurs, veuillez consulter la page 57 ou vous rendre sur le site [snowjoe.com](http://snowjoe.com) pour plus de renseignements.

**⚠ AVERTISSEMENT!** Charger uniquement les blocs-piles au lithium-ion iON+ de 24 V à l'aide des chargeurs au lithium-ion iON+ de 24 V compatible. Tout autre type de batteries peut être à l'origine de dommages corporels et matériels.

Pour réduire le risque de secousse électrique, ne laissez pas d'eau couler dans la fiche des chargeurs c.a./c.c.

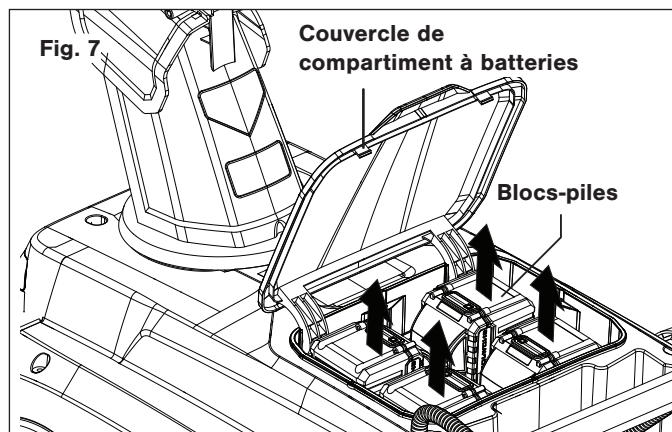
### Quand charger les batteries au lithium-ion 24V iON+

**REMARQUE** : les blocs-piles au lithium-ion 24V iON+ ne présentent pas « d'effet mémoire » quand ils sont chargés après une simple décharge partielle. C'est pourquoi il n'est pas nécessaire d'épuiser les blocs-piles avant d'insérer la fiche du chargeur.

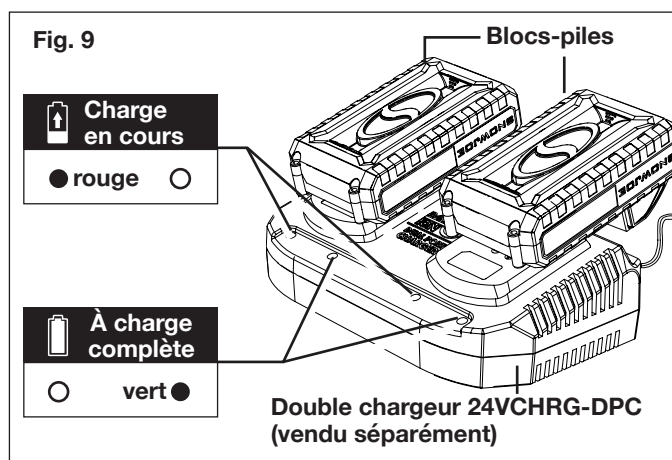
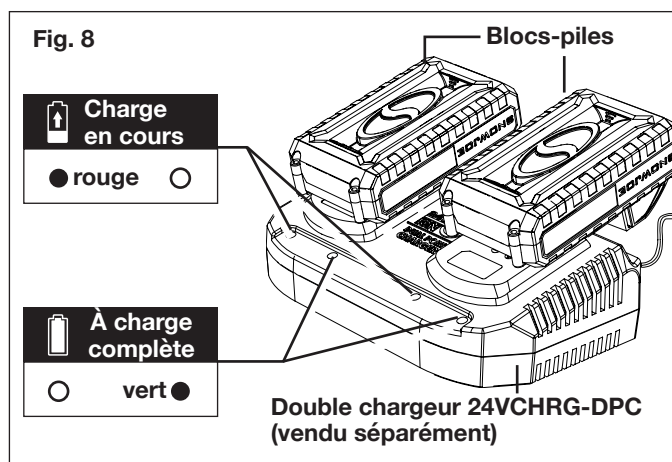
- Utilisez les témoins indicateurs de charge pour déterminer quand charger vos blocs-piles au lithium-ion 24V iON+.
- Vous pouvez « compléter » la charge des blocs-piles avant de démarrer un gros travail ou après une longue journée d'utilisation.

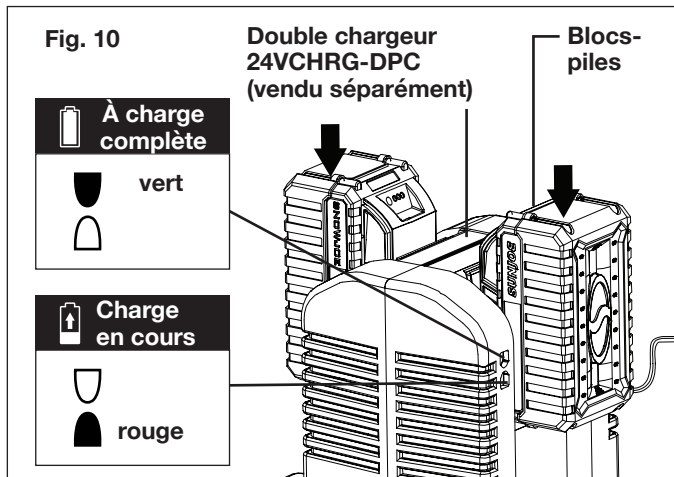
## Comment charger les batteries

1. Pour retirer les blocs-piles de leur compartiment, ouvrez le couvercle du compartiment à batteries et appuyez sur les boutons-poussoirs de verrouillage de chaque batterie (Fig. 7).



2. La façon de recharger votre batterie au lithium-ion dépend de votre modèle de chargeur Snow Joe® + Sun Joe®. Vous pouvez insérer votre batterie de 24 V dans le chargeur rapide 24VCHRG-QC (vendu séparément), le double chargeur 24VCHRG-DPC (vendu séparément), ou dans le double chargeur ultra rapide 24VCHRG-HS-DPC (vendu séparément) (Fig. 8 à 10).





- Les témoins de charge de batterie s'allumeront un par un pendant le processus de charge. Débranchez immédiatement le chargeur lorsque les témoins de charge sont tous les trois allumés.
- Le chargeur rapide 24VCHRG-QC (vendu séparément), le double chargeur 24VCHRG-DPC (vendu séparément), et le double chargeur ultra rapide 24VCHRG-HS-DPC (vendu séparément) sont également dotés de témoins de charge supplémentaires qui indiquent le statut de charge (Fig. 8 à 10).

**⚠ MISE EN GARDE! RISQUE D'INCENDIE.**

Pour débrancher le chargeur de la batterie, s'assurer de débrancher d'abord le chargeur de la prise, puis débrancher le cordon du chargeur de la batterie.

**⚠ AVERTISSEMENT!** Les chargeurs ne s'éteignent pas automatiquement lorsque la batterie est à charge complète. Veiller à ne pas laisser la batterie branchée dans le chargeur. Éteindre le chargeur ou le débrancher du secteur une fois que la batterie est à charge complète.

- Recharger la batterie au moment opportun prolongera sa durée de vie. Vous devez recharger le bloc-piles lorsque vous remarquez une chute de puissance de l'outil.

**IMPORTANT!** Ne laissez jamais le bloc-piles se décharger complètement, car ceci l'endommagerait irrémédiablement.

- Une fois que le bloc-piles est à charge complète, retirez-le du chargeur en tirant le bouton-poussoir de verrouillage et en le faisant glisser vers l'arrière pour le dégager du chargeur.

### Charger un bloc-piles chaud ou froid

Les témoins verts sur la base du chargeur indiquent que la température des blocs-piles est en dehors de la zone normale pour se charger. Une fois que la température des batteries retourne dans la zone normale, elles se chargent normalement et le témoin passe au rouge sans clignoter. Les blocs-piles chauds ou froids prennent davantage de temps pour se charger.

Statut de charge lithium-ion			
Température de bloc-piles	Témoin indicateur de base de chargeur	Témoin indicateur de bloc-piles	Statut de charge en cours
Trop chaude	Vert	Clignotant ensemble	Aucune charge en cours
Zone normale	Rouge	Clignotant l'un après l'autre	Charge en cours normale
Trop froide	Vert	Clignotant ensemble	Aucune charge en cours

## Utilisation

**⚠ AVERTISSEMENT! ÉVITER DE SE BLESSER!** Avant de poursuivre, lire et comprendre la totalité de la section sur la sécurité.

**REMARQUE :** avant d'insérer les batteries, vérifiez que la tarière et les patins en caoutchouc de la souffleuse à neige sont solidement attachés. Effectuez un essai pour vous assurer que la tarière rotative tourne librement.

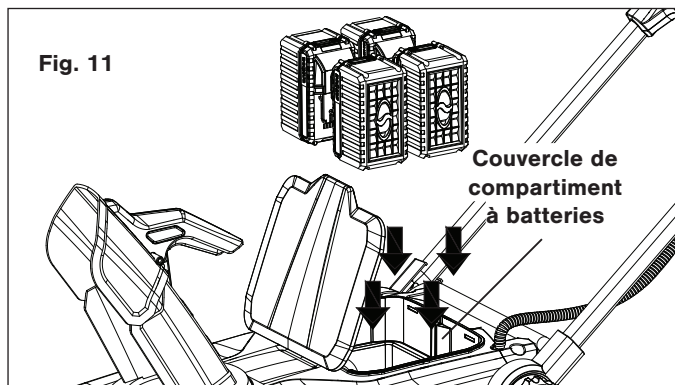
## OUTIL SEULEMENT BATTERIE ET CHARGEUR VENDUS SÉPARÉMENT

Pour utiliser la souffleuse à neige sans cordon, il vous faut quatre batteries et un chargeur du système 24V iON+. Pour les options et spécifications de batteries et de chargeurs, veuillez consulter la page 57 ou vous rendre sur le site [snowjoe.com](http://snowjoe.com) pour plus de renseignements.

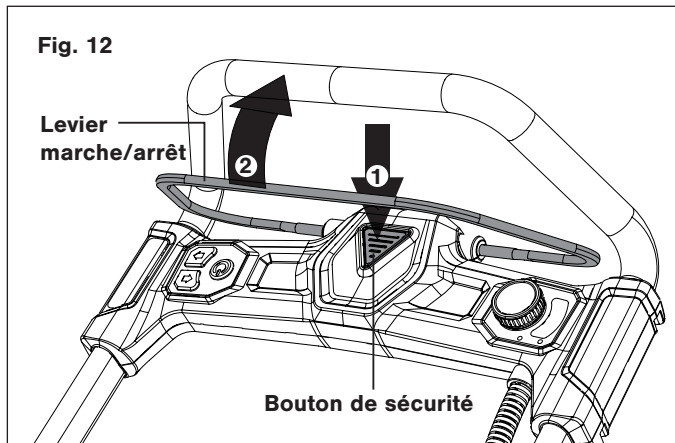
## Démarrage et arrêt

**⚠ AVERTISSEMENT!** La tarière commence à tourner immédiatement après avoir allumé la souffleuse à neige. Tenir les mains et les pieds à l'écart de la tarière.

- Rabattez vers le haut le couvercle du compartiment à batteries et insérez les quatre batteries jusqu'à ce qu'elles se mettent en place en s'encliquetant (Fig. 11). Fermez le couvercle du compartiment à batteries.



2. Pour mettre en marche la souffleuse à neige, appuyez sur le bouton de sécurité, puis pressez le levier marche/arrêt (Fig. 12).



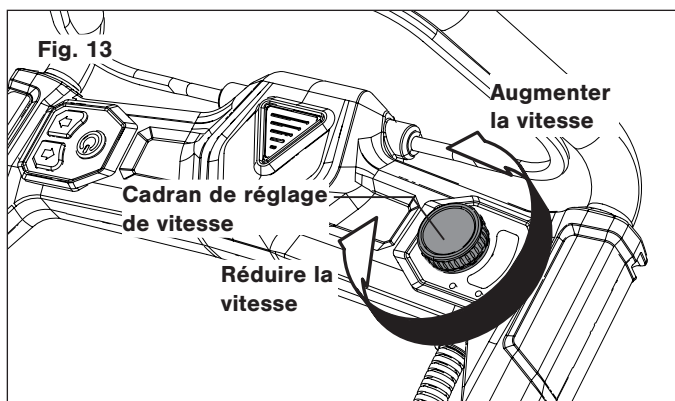
3. Une fois que la machine démarre, relâchez le bouton-poussoir de sécurité et commencez à déneiger.
4. Pour arrêter la machine, relâchez le levier marche/arrêt.

## Comment régler la vitesse de la tarière

Cette souffleuse à neige est équipée d'un système de réglage de vitesse de tarière qui peut faire passer la vitesse de la tarière de lent à rapide. Suivez les instructions pour régler la vitesse de la tarière en fonction de l'environnement où elle est utilisée. Lorsque vous réglez la vitesse de la tarière, prenez en compte la durée d'utilisation, le volume de neige et l'environnement. En général, une vitesse lente permet d'avoir une autonomie plus longue, mais une plus petite capacité de déneigement et une distance de rejet plus courte. Vérifiez le tableau ci-joint pour les spécifications qui peuvent être affectées par la vitesse de la tarière.

	Vitesse MIN. de tarière	Diamètre MAX. de tarière
Distance de rejet	7,6 m	9 m

1. Pour augmenter la vitesse de la tarière, tournez le cadran de réglage de vitesse dans le sens antihoraire, le levier marche/arrêt étant pressé (Fig. 13).
2. Pour réduire la vitesse de la tarière, tournez le cadran de réglage de vitesse dans le sens horaire, le levier marche/arrêt étant pressé (Fig. 13).

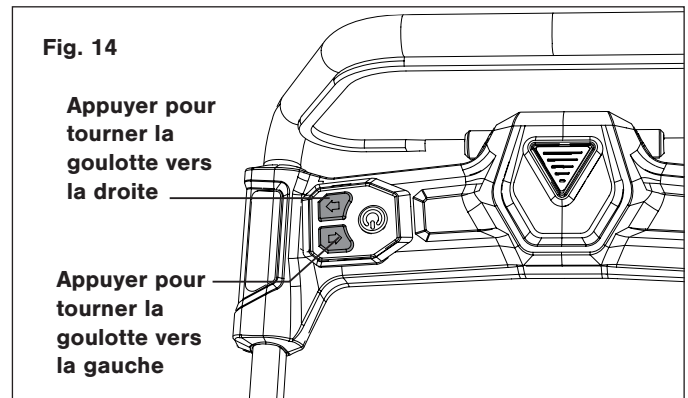


## Changement de l'orientation et de la hauteur du jet de neige

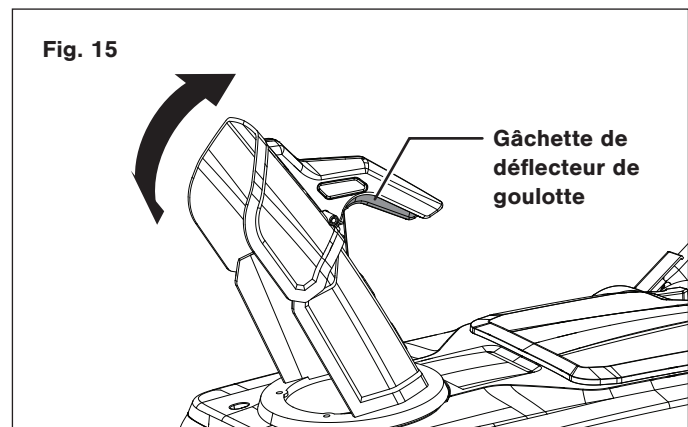
**⚠️ AVERTISSEMENT!** Ne jamais diriger la goulotte d'éjection vers l'utilisateur de la machine, des spectateurs, des véhicules ou des fenêtres à proximité. La neige rejetée et tout ce qui a été accidentellement ramassé par la souffleuse à neige peuvent provoquer de graves dommages matériels et corporels.

Toujours orienter la goulotte d'éjection dans la direction opposée où vous êtes, où se trouvent des spectateurs, des véhicules ou des fenêtres.

1. La goulotte d'éjection peut pivoter jusqu'à 180 degrés en appuyant sur le bouton de rotation de goulotte du sens désiré (Fig. 14).



2. Le déflecteur de goulotte sur la partie supérieure de la goulotte d'éjection permet de contrôler la hauteur du jet de neige. Pour régler la hauteur à laquelle la neige est rejetée, pressez la gâchette sur la poignée du déflecteur de goulotte et levez ou abaissez ensuite le déflecteur de goulotte. Pour verrouiller le déflecteur de goulotte une fois en place, relâchez la gâchette sur la poignée du déflecteur de goulotte (Fig. 15).

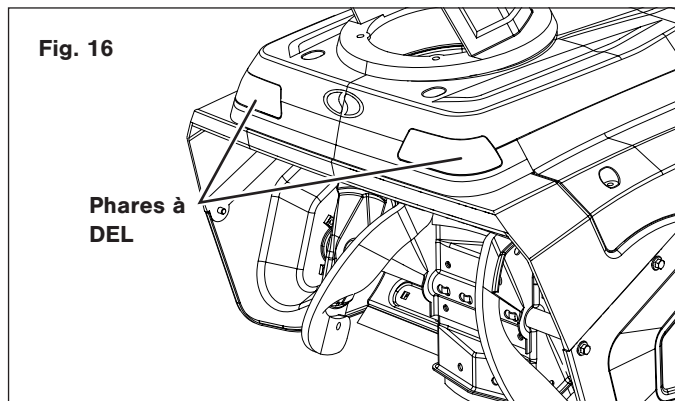


**REMARQUE :** orientez TOUJOURS le déflecteur de goulotte d'éjection pour que la neige soit rejetée sans danger. NE PAS rejeter la neige plus haut que nécessaire.

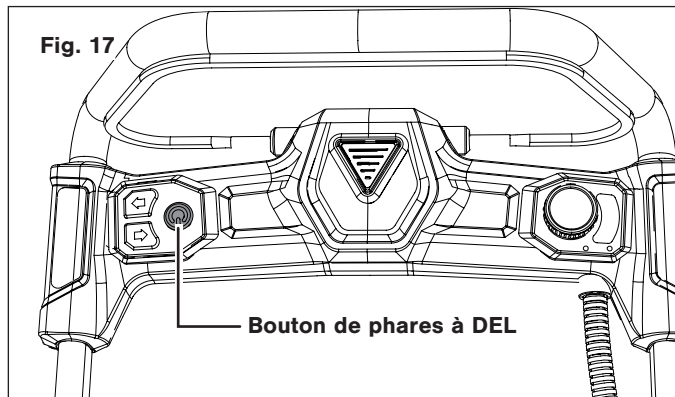


## Phares à DEL

Des phares à DEL sont montés à l'avant de la souffleuse à neige (Fig. 16).



1. Pour allumer les phares, appuyez sur le bouton de phares à DEL (Fig. 17).



2. Pour éteindre les phares, appuyez à nouveau sur le bouton de phares à DEL

**REMARQUE :** lorsque vous avez fini d'utiliser votre souffleuse à neige, n'oubliez pas d'éteindre les phares.

## Conseils d'utilisation

**⚠ AVERTISSEMENT!** Des corps étrangers, par exemple des roches, des éclats de verre, des clous, des fils ou de la ficelle peuvent être ramassés et projetés par la souffleuse à neige en provoquant de graves dommages corporels. Avant d'utiliser la souffleuse à neige, retirez tous les corps étrangers de la zone à déneiger.

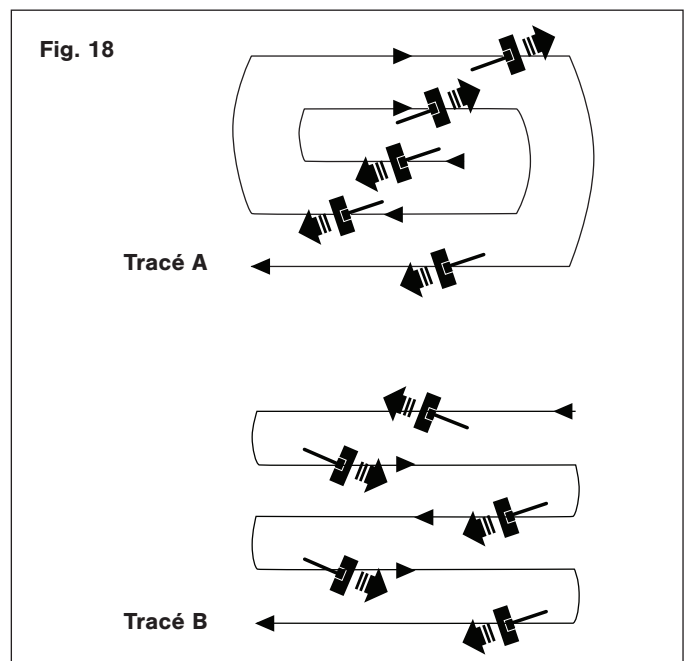
Il est préférable de déneiger dès que possible après une chute de neige.

1. Débarrassez la zone de travail de tout ce qui pourrait être rejeté par les lames. Sachant que certains corps étrangers peuvent être cachés sous la neige, effectuez une inspection minutieuse de la zone de travail. Si la souffleuse à neige heurte un obstacle ou ramasse quoi que ce soit, sauf de la neige, pendant l'utilisation, arrêtez la souffleuse à neige, retirez la batterie, retirez ce qui fait obstacle et inspectez la machine pour vérifier qu'elle n'est pas endommagée. Réparez ou remplacez toute pièce endommagée avant de redémarrer et d'utiliser à nouveau la machine.

2. Maintenez les enfants, les animaux familiers et les spectateurs éloignés de la zone de travail. Souvenez-vous que le volume sonore normal de la machine en marche peut vous empêcher d'entendre facilement des personnes s'approchant.
3. Pour déneiger un endroit, ouvrez une série de tranchées qui se chevauchent. Pour les grandes surfaces, démarrez au milieu et rejetez la neige de chaque côté pour que la neige ne soit pas déblayée plusieurs fois.
4. Notez la direction du vent. Au besoin, déplacez-vous dans la même direction que le vent pour éviter que la neige soit projetée contre le vent (dans votre visage et sur la tranchée venant juste d'être ouverte).
5. Poussez la souffleuse à neige sans force excessive. Ne dépassez pas la capacité de déneigement ou de rejet de la machine.
6. Certaines pièces de la souffleuse à neige peuvent geler sous une température extrême. N'essayez pas d'utiliser la souffleuse à neige si des pièces sont gelées. Si des pièces gèlent pendant que vous utilisez la souffleuse à neige, arrêtez la machine, retirez la batterie et inspectez les pièces gelées. Faites en sorte que toutes les pièces se déplacent librement avant de redémarrer et d'utiliser à nouveau la souffleuse à neige. Ne forcez pas les commandes lorsqu'elles sont gelées.
7. Pour déneiger entièrement des superficies plus grandes, il est nécessaire de procéder systématiquement en sachant d'avance où faire passer la souffleuse à neige. En procédant de la sorte, vous éviterez de rejeter la neige là où vous ne le voulez pas et vous ne devrez pas déblayer la neige une seconde fois (Fig. 18).

Tracé A : rejetez la neige à droite ou à gauche, selon le cas. Par exemple, pour une longue voie d'accès pour autos, il est préférable de commencer au milieu. Déneigez d'une extrémité à l'autre en rejetant la neige des deux côtés.

Tracé B : si la neige peut être rejetée d'un seul côté de la zone à déneiger, commencez du côté opposé.



## Entretien

Pour commander des pièces de rechange ou des accessoires d'origine pour la souffleuse à neige sans cordon Sun Joe® 24V-X4-SB21-CT, veuillez vous rendre sur le site [www.snowjoe.com](http://www.snowjoe.com) ou communiquer avec le service à la clientèle Snow Joe® + Sun Joe® au 1-866-SNOWJOE (1-866-766-9563).

**⚠️ AVERTISSEMENT!** S'assurer de fermer l'interrupteur et de retirer les batteries avant de procéder à toute tâche d'entretien sur la souffleuse à neige.

## Conseils d'entretien d'ordre général

- N'essayez pas de réparer la machine à moins d'avoir l'outillage adéquat et les bonnes instructions pour démonter et réparer la machine.
- Inspectez les boulons et les vis à intervalles réguliers et vérifiez qu'ils sont bien serrés pour que le matériel puisse fonctionner en toute sécurité.
- Après chaque opération de déneigement, coupez le moteur, attendez que toutes les pièces en rotation s'arrêtent complètement, retirez les batteries et essuyez la glace et la neige résiduelles de la machine.

## Entretien approprié des batteries et des chargeurs

**⚠️ AVERTISSEMENT!** Pour réduire le risque de se blesser, toujours débrancher les chargeurs et retirer les blocs-piles des chargeurs avant d'effectuer toute tâche d'entretien. Ne jamais démonter un bloc-piles ou un chargeur. Pour TOUTES les réparations, communiquez avec votre revendeur Snow Joe® + Sun Joe® ou le service à la clientèle Snow Joe® + Sun Joe®.

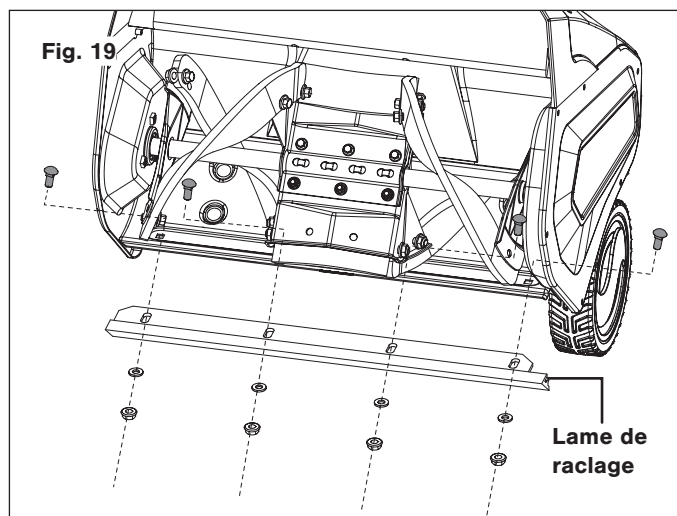
- Pour réduire le risque de vous blesser, ne plongez jamais les blocs-piles ou les chargeurs dans un liquide et ne laissez jamais de liquide pénétrer à l'intérieur de ces composants.
- Nettoyez la poussière et les débris des ouvertures de ventilation des chargeurs et des contacts électriques en soufflant dessus de l'air comprimé.
- Pour nettoyer les blocs-piles et les chargeurs, utilisez uniquement un savon doux sur un chiffon mouillé, en tenant à l'écart de tous les contacts électriques. Certains produits de nettoyage ou solvants peuvent attaquer les pièces en plastique ou isolantes. Parmi ceux-ci figurent l'essence, l'essence de térébenthine, les diluants à peinture-laque, les diluants pour peintures, les solvants de nettoyage chlorés, l'ammoniac et les détergents ménagers contenant de l'ammoniac. N'utilisez jamais de solvants inflammables ou combustibles autour de blocs-piles, de chargeurs de batterie, de machines, d'appareils ou d'outils électriques.
- Le chargeur de batteries au lithium-ion iON+ de 24 V ne comporte aucune pièce réparable par l'utilisateur.

## Remplacement de la lame de raclage

**IMPORTANT!** Si l'usure de la lame de raclage est trop importante, le carter de tarière sera endommagé.

Remplacez la lame de raclage.

1. Placez la machine sur une surface dure, plate, lisse et de niveau.
2. Détachez la lame de raclage usée de la souffleuse à neige en retirant les quatre jeux d'écrous, rondelles et boulons qui la maintiennent en place (Fig. 19).
3. Posez la nouvelle lame de raclage et attachez-la solidement à la souffleuse à neige à l'aide des quatre jeux d'écrous, rondelles et boulons.



## Remplacement des lames de tarière

Les lames de tarière s'usent au fil du temps pendant leur utilisation, et elles finiront par mal faire leur travail. Si la machine ne peut pas déblayer complètement la neige et la laisse sur le sol, envisagez de changer les lames de tarière.

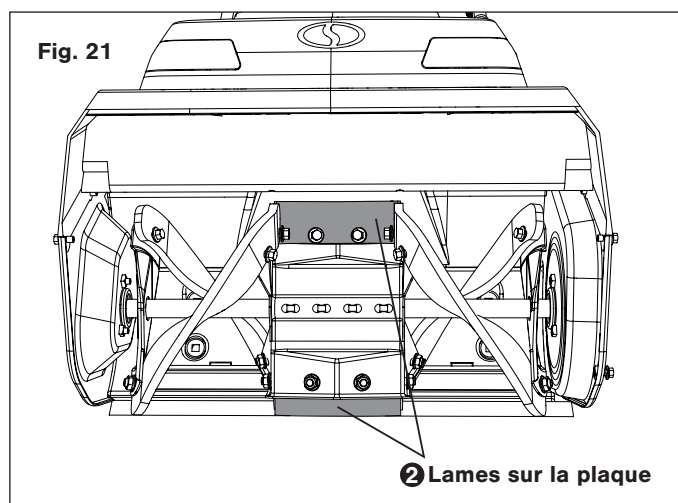
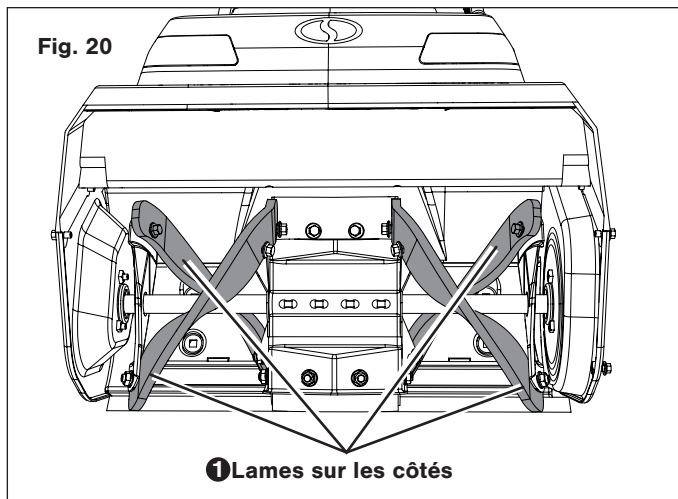
**⚠️ AVERTISSEMENT!** Le remplacement des lames de tarière implique de travailler directement sur la tarière et les lames. Pour empêcher un démarrage accidentel et les blessures en résultant, avant de procéder à l'opération, s'assurer que les batteries ne sont pas insérées et porter des gants résistants pendant l'opération.

Outils nécessaires (non fournis) :

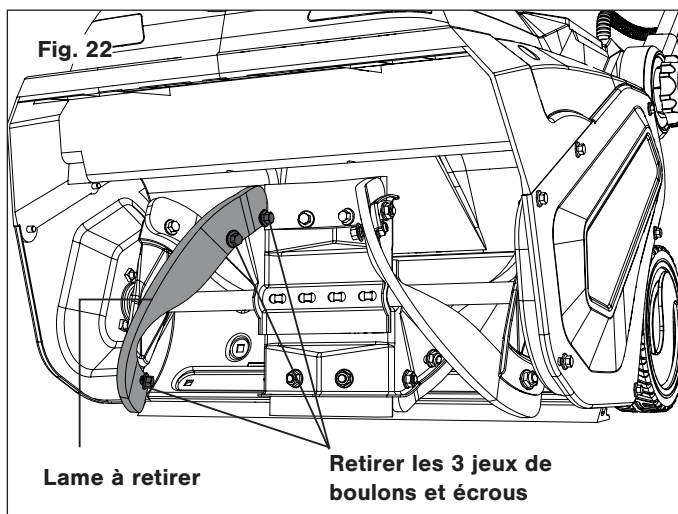
- Clé de 10 mm
- Clé de 13 mm
- Gants résistants

Au total, il y a 6 lames attachées par 16 jeux de vis, rondelles et écrous. Lors du remplacement de lames de tarière usées, veuillez particulièrement à l'ordre dans lequel vous les retirez. Retirez d'abord les 4 éléments de lame sur les côtés, puis les 2 éléments de lame attachés à la plaque intermédiaire en acier. Assemblez les nouvelles lames de tarière dans l'ordre inverse de leur démontage (Fig. 20 et 21).

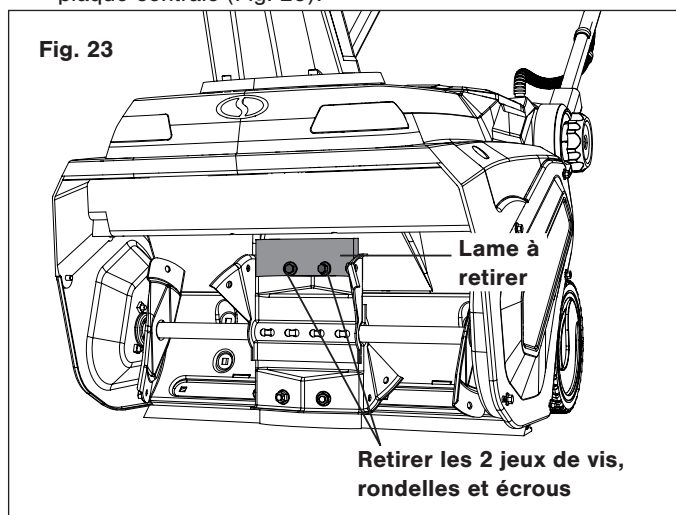




1. Pour retirer la première lame sur le côté, utilisez une clé de 10 mm pour tenir fermement le boulon et utilisez une clé de 13 mm pour desserrer et retirer l'écrou. Répétez l'opération pour retirer les 3 jeux de boulons et d'écrous et retirez doucement la lame de la tarière (Fig. 22).



2. Suivez les mêmes instructions pour retirer les 3 autres lames situées sur les côtés. Lorsque vous travaillez sur les lames à l'arrière, faites tourner la tarière.
3. Une fois que les 4 lames sur les côtés ont été retirées, passez aux 2 lames attachées à la plaque intermédiaire en acier. Utilisez la clé de 10 mm pour tenir fermement le boulon et utilisez la clé de 13 mm pour desserrer et retirer l'écrou. Répétez l'opération pour retirer l'autre jeu de boulons et d'écrous et retirez doucement la lame de la plaque centrale (Fig. 23).



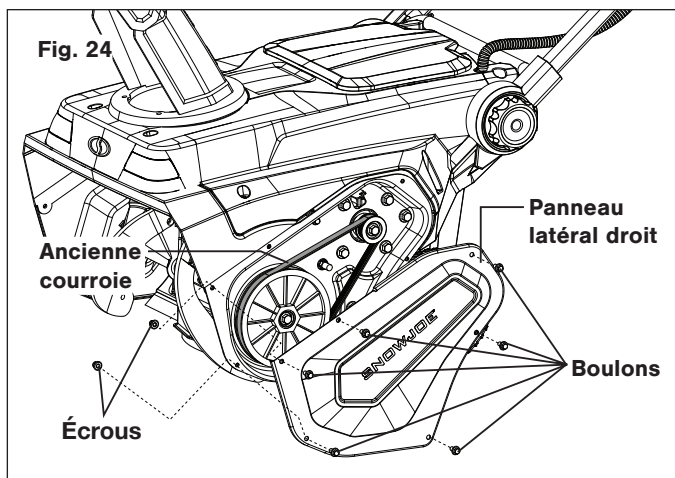
4. Faites tourner la tarière pour pouvoir travailler sur l'autre lame attachée à la plaque. Pour la retirer, suivez les mêmes instructions.
5. Une fois que toutes les lames usées sont retirées, assemblez les nouvelles lames dans le sens inverse du démontage. Pour attacher les lames à la tarière, utilisez les jeux de boulonnerie d'origine.

## Remplacement de la courroie de tarière

Outils nécessaires (non fournis) :

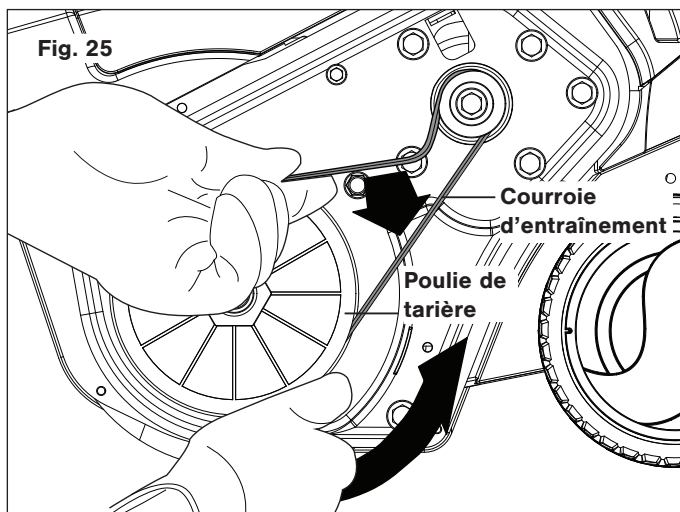
- Clé de 10 mm (2)
- Gants résistants

1. Placez la machine sur une surface dure, plate, lisse et de niveau, les batteries étant retirées.
2. Utilisez deux clés de 10 mm pour retirer les boulons et les écrous qui attachent le panneau latéral droit. Retirez ensuite le panneau latéral droit pour travailler sur la courroie, comme l'indique la Fig. 24.

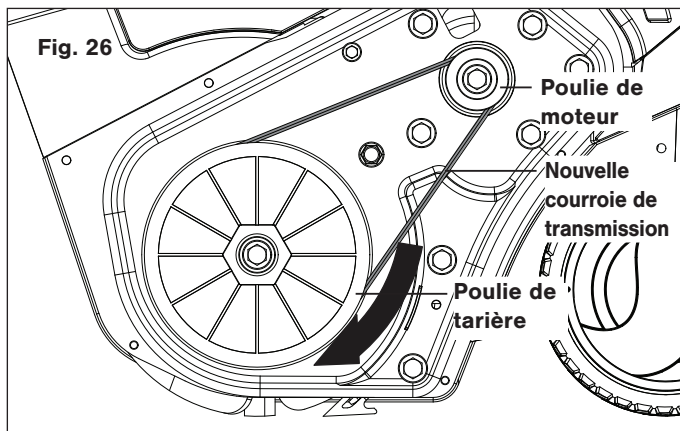


**REMARQUE :** les deux boulons situés sur la gauche ont deux écrous à l'arrière, alors que les quatre autres boulons n'en ont pas. Utilisez une clé de 10 mm pour tenir fermement les deux boulons à gauche et retirez d'abord les écrous à l'aide de l'autre clé de 10 mm, puis retirez tous les boulons.

3. Retirez la courroie de transmission en tournant lentement la poulie de tarière dans le sens antihoraire tout en tirant la courroie vers l'extérieur (Fig. 25).



4. Posez la nouvelle courroie de transmission en la faisant tourner sur les poulies (Fig. 26).



**REMARQUE :** faites d'abord tourner la nouvelle courroie de transmission autour de la poulie du moteur, puis autour de la poulie de tarière. Pour entraîner la courroie vers l'intérieur, tournez lentement la poulie de tarière dans le sens horaire

5. Remplacez le panneau latéral sur la machine et attachez-le à l'aide de la boulonnerie d'origine. La souffleuse à neige est prête à être utilisée.

## Remisage

1. Examinez minutieusement la souffleuse à neige sans cordon pour vérifier qu'il n'y a pas de pièces usées, desserrées ou endommagées. Si vous devez faire réparer ou remplacer une pièce, communiquez avec votre revendeur Snow Joe® + Sun Joe® agréé ou appelez le service à la clientèle Snow Joe® + Sun Joe® au 1-866-SNOWJOE (1-866-766-9563) pour de l'aide.
2. Nettoyez la souffleuse à neige avant de la remiser ou de la transporter. Avant de transporter la machine, veillez à ce qu'elle ne présente aucun danger potentiel.
3. Retirez le bloc-piles de la souffleuse à neige sans cordon avant de la remiser.
4. Remisez la souffleuse à neige sans cordon à l'intérieur, dans un endroit sec, sous clé et hors de portée des enfants, et ce pour empêcher la machine d'être utilisée sans autorisation ou endommagée.

## Rangement hors-saison des batteries et des chargeurs

- N'exposez pas les blocs-piles ou les chargeurs à l'eau, à la pluie ou à tout ce qui pourrait les rendre humides. Les chargeurs et les blocs-piles pourraient être endommagés de façon permanente. N'utilisez ni huile ni solvants pour nettoyer ou lubrifier vos blocs-piles, et ce dans la mesure où le boîtier en plastique pourrait devenir cassant, se fissurer et risquer de blesser quelqu'un.
- Rangez les blocs-piles et les chargeurs à température ambiante et dans un endroit non humide. Ne les rangez pas dans un endroit humide où les bornes pourraient se corroder. Comme pour les autres types de blocs-piles, une perte de capacité permanente peut se produire si les blocs-piles sont rangés pendant de longues périodes à une température élevée (supérieure à 49 °C).
- Les blocs-piles au lithium-ion iON+ de 24 V restent chargés plus longtemps que les autres types de blocs-piles lorsqu'ils sont rangés. En règle générale, il est préférable de débrancher les chargeurs de batteries et de retirer les blocs-piles lorsque vous ne les utilisez pas. Hors-saison, avant de les ranger et pour maintenir leur rendement optimal, rechargez les blocs-piles tous les six mois jusqu'à 50 % de leur capacité (deux témoins allumés).

## Mise en garde concernant les batteries et informations sur leur élimination

Éliminez toujours vos blocs-piles en vous conformant aux réglementations fédérales, provinciales ou territoriales et locales. Pour obtenir la liste des sites de recyclage, communiquez avec un organisme de recyclage de votre région.

**⚠ MISE EN GARDE!** Même déchargés, les blocs-piles emmagasinent une certaine énergie. Avant de les éliminer, utiliser du ruban isolant pour couvrir les bornes et empêcher ainsi les blocs-piles de provoquer un court-circuit, ce qui pourrait déclencher un incendie ou une explosion.

**⚠ AVERTISSEMENT!** Pour réduire le risque de dommage corporel ou d'explosion, ne jamais brûler ou incinérer un bloc-piles, même s'il est endommagé, à plat ou complètement déchargé. En brûlant, des vapeurs et des matières toxiques sont émises dans l'atmosphère environnante.

- Les batteries varient selon le type de machines, d'appareils ou d'outils. Consultez le manuel pour des renseignements spécifiques.
- S'il en faut plusieurs, insérez uniquement des batteries neuves de même type dans votre outil, appareil ou machine.
- Si, en les insérant, la polarité des blocs-piles n'est pas respectée, comme indiqué dans le compartiment à batteries ou dans le manuel, leur durée de vie pourrait être réduite ou ils pourraient fuir.
- Ne mélangez pas des batteries anciennes et des neuves.
- Ne mélangez pas des piles alcalines, standard (carbone/zinc) ou rechargeables (au nickel-cadmium, au nickel-métal-hydrure ou au lithium-ion).
- Ne jetez pas les blocs-piles au feu.
- Les blocs-piles doivent être recyclés ou éliminés en observant les directives provinciales, territoriales ou locales.

## Entretien, réparation et assistance technique

Si votre souffleuse à neige sans cordon Sun Joe® 24V-X4-SB21-CT nécessite une réparation ou un entretien, veuillez appeler le service à la clientèle Snow Joe® + Sun Joe® au 1-866-SNOWJOE (1-866-766-9563).

## Numéros de modèle et de série

Lorsque vous communiquez avec l'entreprise pour commander des pièces ou prendre rendez-vous pour une intervention technique chez un revendeur agréé, vous devez fournir les numéros de modèle et de série qui se trouvent sur l'étiquette autocollante apposée sur le caisson de la machine. Copiez ces numéros dans l'espace réservé ci-dessous.

Veuillez noter les numéros suivants sur le caisson ou la poignée de votre nouveau produit :	
N° de modèle :	
2   4   V   -   X   4   -   S   B   2   1   -   C   T	
N° de série :	

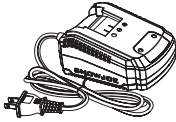
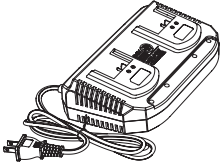
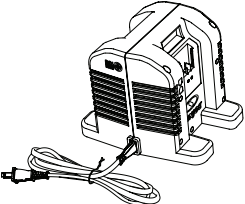
# Dépannage

**⚠️ AVERTISSEMENT!** Toujours couper le moteur et retirer les batteries avant d'effectuer un réglage quelconque, de l'entretien ou des réparations sur votre souffleuse à neige sans cordon.

<b>Problème</b>	<b>Cause possible</b>	<b>Solution</b>
La machine ne veut pas démarrer	<ol style="list-style-type: none"><li>1. Les batteries sont à plat.</li><li>2. Les batteries ne sont pas verrouillées en place.</li><li>3. Le bouton de sécurité n'est pas enfoncé.</li></ol>	<ol style="list-style-type: none"><li>1. Chargez les batteries.</li><li>2. Réinsérez les batteries et essayez à nouveau de démarrer la machine.</li><li>3. Appuyez sur le bouton de sécurité et tirez le levier marche/arrêt.</li></ol>
La tarière ne veut pas tourner lorsque le moteur est en marche	<ol style="list-style-type: none"><li>1. La courroie de tarière est usée.</li><li>2. La courroie de tarière n'est pas assemblée de façon appropriée.</li></ol>	<ol style="list-style-type: none"><li>1. Changez la courroie de tarière.</li><li>2. Inspectez la courroie de tarière et assurez-vous qu'elle est bien rentrée dans la gorge.</li></ol>
La goulotte ne tourne pas lorsqu'on appuie sur le bouton	<ol style="list-style-type: none"><li>1. Il y a un manque de puissance.</li><li>2. Trop de neige humide s'est accumulée autour de la goulotte, ce qui l'empêche de tourner.</li></ol>	<ol style="list-style-type: none"><li>1. Assurez-vous que les blocs-piles sont chargés et verrouillés en place.</li><li>2. Nettoyez la neige humide autour de la goulotte.</li></ol>
Neige encore sur le sol après passage de la souffleuse à neige	<ol style="list-style-type: none"><li>1. Lames de tarière usées.</li><li>2. Barre de raclage usée.</li></ol>	<ol style="list-style-type: none"><li>1. Remplacez les lames.</li><li>2. Remplacez la lame de raclage.</li></ol>

## Accessoires en option

**⚠️ AVERTISSEMENT!** TOUJOURS utiliser des pièces de rechange et des accessoires Snow Joe® + Sun Joe® homologués. NE JAMAIS utiliser des pièces ou des accessoires qui ne sont pas destinés à être utilisés avec cette souffleuse à neige sans cordon. Communiquez avec Snow Joe® + Sun Joe® si vous n'êtes pas sûr que l'utilisation d'une pièce de rechange ou d'un accessoire particulier avec votre souffleuse à neige sans cordon soit sans danger. L'utilisation de tout autre accessoire ou pièce détachée peut être dangereuse et pourrait être la cause de dommages corporels ou de détériorations d'origine mécanique.

Accessoires	Description	Modèle
	Chargeur rapide de batterie au lithium-ion iON+ de 24 V	24VCHRG-QC
	Double chargeur de batteries au lithium-ion iON+ de 24 V	24VCHRG-DPC
	Double chargeur de batteries au lithium-ion ultra rapide iON+ de 24 V	24VCHRG-HS-DPC

Pour plus d'options, veuillez vous rendre sur le site [snowjoe.com](http://snowjoe.com)

**REMARQUE :** les accessoires sont sous réserve de changements sans que Snow Joe® + Sun Joe® soit pour autant tenue de donner un préavis desdits changements. Les accessoires peuvent être commandés en ligne sur le site [snowjoe.com](http://snowjoe.com) ou par téléphone en appelant le service à la clientèle Snow Joe® + Sun Joe® au 1-866-SNOWJOE (1-866-766-9563).



## LA PROMESSE DE SNOW JOE® + SUN JOE® À SES CLIENTS

Vous êtes notre client et Snow Joe, LLC (« Snow Joe ») **SE MET EN QUATRE** pour vous servir. Nous nous efforçons de vous rendre l'utilisation de nos produits aussi plaisante que possible. Malheureusement, il peut arriver qu'un produit Snow Joe®, Sun Joe® ou Aqua Joe (« Produit ») ne fonctionne pas ou se casse dans des conditions d'utilisation normales. Nous pensons qu'il est important que vous sachiez ce que vous pouvez attendre de nous. C'est pourquoi nous avons une garantie limitée (« Garantie ») pour nos Produits.

### NOTRE GARANTIE :

Snow Joe déclare et garantit que les Produits neufs, d'origine, électriques ou non électriques sont exempts de vices de matière ou de fabrication et, lorsqu'ils font l'objet d'une utilisation résidentielle et ménagère ordinaire, les garantit pendant une période de deux ans à compter de la date d'achat au détail par l'acheteur primitif auprès de Snow Joe ou d'un des revendeurs agréés de Snow Joe, preuve d'achat à l'appui. Étant donné que Snow Joe ne peut pas contrôler la qualité de ses Produits vendus par des revendeurs non agréés, sauf stipulation contraire de la loi, la présente Garantie ne couvre pas les Produits achetés auprès de vendeurs non agréés. Si votre Produit ne fonctionne pas ou si une pièce spécifique couverte par les modalités de la présente Garantie fait l'objet d'un problème quelconque, Snow Joe choisira (1) de vous envoyer une pièce de rechange gratuite, (2) de remplacer le Produit par un produit neuf ou comparable, gratuitement, ou (3) de réparer le Produit. Génial, n'est-ce pas?

**La présente Garantie vous donne des droits judiciaires spécifiques, et vous pouvez également avoir d'autres droits qui peuvent varier d'une province ou d'un territoire à l'autre.**

### ENREGISTREMENT DU PRODUIT :

Snow Joe vous recommande vivement d'enregistrer votre Produit. Vous pouvez l'enregistrer en ligne sur le site [snowjoe.com/register](https://snowjoe.com/register), ou en imprimant et en envoyant par courrier une carte d'enregistrement offerte en ligne sur notre site Web, ou par téléphone en appelant notre Service à la clientèle au **1-866-SNOWJOE (1-866-766-9563)**, ou encore en nous envoyant un courriel à l'adresse [help@snowjoe.com](mailto:help@snowjoe.com). Le fait de ne pas enregistrer l'achat de votre Produit n'a aucune conséquence sur vos droits concernant la garantie. Toutefois, l'enregistrement de votre Produit permettra à Snow Joe de mieux répondre au moindre besoin que vous pourriez avoir en matière de service à la clientèle.

### QUI PEUT REVENDIQUER LA COUVERTURE DE LA GARANTIE?

La présente Garantie est étendue par Snow Joe à l'acheteur et propriétaire primitif du Produit.

### QU'EST-CE QUI N'EST PAS COUVERT?

La présente Garantie ne s'applique pas si le Produit a été utilisé commercialement, pour des travaux non résidentiels ou s'il fait l'objet d'une location. La présente Garantie ne s'applique pas non plus si le Produit a été acheté auprès d'un revendeur non agréé. La présente garantie ne couvre pas non plus les changements cosmétiques qui n'affectent pas le rendement. Les pièces d'usure comme les courroies, les tarières, les chaînes et les dents ne sont pas couvertes au titre de la présente Garantie et peuvent être achetées en ligne sur le site [snowjoe.com](https://snowjoe.com) ou en appelant le **1-866-SNOWJOE (1-866-766-9563)**.





A series of 20 horizontal lines for writing, evenly spaced and extending across the width of the page.



**[snowjoe.com](http://snowjoe.com)**