



ELECTRIC SNOW SHOVEL

13-INCH | 10-AMP

OPERATOR'S MANUAL

A Division of Snow Joe®, LLC

Model 323E-RM

Form No. SJ-323E-RM-880E-V1

THANKS FOR YOUR PURCHASE OF A REMANUFACTURED PRODUCT.

To make sure you get the most out of your product, be sure to register online at

snowjoe.com

to enjoy full product support.

PASTE UPC LABEL HERE



ELECTRIC SNOW SHOVEL

13-INCH | 10-AMP

OPERATOR'S MANUAL

A Division of Snow Joe®, LLC

Model 323E-RM

Form No. SJ-323E-RM-880E-V1


IMPORTANT! Safety Instructions

All Operators Must Read These Instructions Before Use

Any electrical appliance can be dangerous if used incorrectly. Some of the safety precautions given in this manual apply generally to many appliances. Other warnings are specific to the use of this snow shovel.

General Safety WARNINGS!


You and any other operator of this snow shovel must read, understand and follow these instructions in their entirety, and should re-read them at the start of each snow season. Failure to follow these instructions may result in ELECTRIC SHOCK, FIRE and/or serious PERSONAL INJURY.

Notice the personal safety alert symbol  used in this manual to draw your attention to a WARNING given along with the particular operating instruction. This means that the operation requires special ATTENTION, CAUTION and AWARENESS.

- 1. Replacement parts** – When servicing this unit, use only identical replacement parts. Replace or repair damaged cords immediately.

Do not use on gravel surfaces unless the snow shovel is adjusted for such surfaces in accordance with the operator's manual.
- 2. Keep children, bystanders and pets away** – All spectators, including pets, should be kept a safe distance away from the work area.
- 3. Dress properly** – Do not wear loose articles of clothing or jewelry. They can become caught in moving parts. Wear rubber boots.

The electric snow shovel should not be operated in the hand-held position except when the instructions provided in this manual deem such use permissible.
- 4. Extension cords** – To prevent disconnection of the appliance cord from the extension cord during operation, secure the extension cord to the product as shown in Figs. 8 & 9.

 **WARNING!** To prevent electric shock, use only with an extension cord suitable for outdoor use.

- 5. Avoid accidental starting** – Do not carry the electric snow shovel with your finger on the switch. Make sure the switch is off before plugging in the unit.

If the cord is damaged in any manner during operation, pull the extension cord from the wall receptacle.

- 6. Do not abuse the cord** – Never carry the electric snow shovel by the cord or yank the cord to disconnect it from the receptacle. Keep the cord away from heat, oil and sharp edges.
- 7. Moving parts** – Keep hands and feet away from moving parts. Keep guards in place and in proper working order.
- 8. Do not force the tool** – It will perform better with less likelihood of personal or mechanical injury if it is used at the rate for which it was designed.
- 9. Do not overreach** – Keep proper footing and balance at all times.


If the electric snow shovel strikes a foreign object, follow these steps:

- Stop the electric snow shovel.
- Inspect for damage.
- Repair any damage before restarting and operating the snow shovel.

- 10. Disconnect the tool** – Disconnect the electric snow shovel from the power supply when it is not in use, before servicing it, when changing accessories and when performing any other maintenance task.
- 11. Store idle tool indoors** – When not in use, the electric snow shovel should be stored indoors in a dry, locked place out of the reach of children.
- 12. Maintain the electric snow shovel with care** – Follow the applicable maintenance instructions for replacing parts and changing accessories. Lubrication is not required.

This electric snow shovel meets or exceeds the B71.3 specifications of the American National Standards Institute in effect at the time of production.

Read and understand the contents of this manual before you start the motor.

 This is the safety alert symbol. It is used to alert you to potential personal injury hazards. Obey all safety messages that follow this symbol to avoid possible injury or death.

Improperly using or maintaining this electric snow shovel could result in injury or death. To reduce this potential, comply with the following safety instructions.

This electric snow shovel can amputate hands and feet if used incorrectly. It can also pick up foreign objects, which can become dangerous projectiles when thrown into the air. Failure to observe the following safety instructions could result in serious personal injury.

Training

- Read, understand and follow all instructions on the machine and in the manual before operating this unit. Thoroughly familiarize yourself with the controls and the proper use of the equipment. Know how to stop the unit and disengage the controls quickly.
- Children should never be allowed access to the equipment. Adults should never operate the equipment without carefully reading and understanding these instructions.
- Keep the area of operation clear of all persons, particularly small children and pets.
- Exercise caution to avoid slipping or falling.

Preparation

- Thoroughly inspect the area where the equipment is to be used and remove all doormats, sleds, boards, wires and other foreign objects.
- Do not operate the equipment without wearing adequate winter garments. Avoid loose fitting articles of clothing that can become caught in moving parts. Wear footwear that will improve footing on slippery surfaces.
- Do not attempt to clear snow from a gravel or crushed rock surface. This product is intended for use only on paved surfaces.
- Never attempt to make any adjustments while the motor is running (except when specifically recommended by the manufacturer).
- Always wear safety glasses or eye shields during operation or while performing an adjustment or repair to protect your eyes from foreign objects that may be thrown from the machine.

Operation

- Do not put hands or feet near or under rotating parts. Keep clear of the discharge opening at all times.
- Exercise extreme caution when operating on or crossing gravel drives, walks or roads. Stay alert for hidden hazards or traffic.
- After striking a foreign object, stop the motor. Thoroughly inspect the electric snow shovel for any damage, and repair the damage before restarting and operating the electric snow shovel.
- If the unit should start to vibrate abnormally, stop the motor and check the unit immediately to ascertain the cause. Vibration is generally a sign of trouble.
- Stop the motor and disconnect the electric snow shovel from the power supply whenever you leave the operating position, when transporting the unit, before unclogging the rotor blade housing and when making any repairs, adjustments or inspections to the unit.
- When cleaning, repairing or inspecting the electric snow shovel, make sure that all moving parts have come to a complete stop before beginning work.
- Exercise extreme caution when operating on slopes.
- Never operate the electric snow shovel without proper guards and other safety devices in place and in proper working order.
- Never direct the discharge toward people or areas where property damage can occur. Keep children, pets and other bystanders away from the work area.
- Do not overload the machine capacity by attempting to clear snow at too fast a rate.
- Look behind and use care when backing up with the electric snow shovel.
- Never operate the electric snow shovel without good visibility or light. Always be sure of your footing, and keep a firm hold on the handles. Walk, never run, with the unit.

Clearing a Clogged Rotor Housing

Hand contact with the rotating rotor blades inside the rotor housing is the most common cause of injury associated with electric snow shovels. Never use your hands to clear a clogged rotor housing.


To clear the rotor housing:

- Shut the motor off and disconnect the unit from the power supply.
- Wait 10 seconds to be sure the rotor blades have come to a complete stop.
- Always use a clean-out tool, not your hands, to free the rotating blades.

Maintenance and Storage

- Check all fasteners at frequent intervals for proper tightness to ensure that the equipment is in safe working condition.
- Always refer to the operator's manual for important details, such as how to properly store your electric snow shovel for an extended period of time.
- Maintain or replace safety and instruction labels as needed.
- Run the machine a few minutes after throwing snow to prevent the rotor blades from freezing.

Double-Insulated Appliances

In a double-insulated appliance, two systems of insulation are provided instead of grounding. No grounding means is provided on a double-insulated appliance, nor should a means for grounding be added to the appliance. Servicing a double-insulated appliance requires extreme care and knowledge of the system, and should be performed only by qualified service personnel at an authorized Snow Joe® + Sun Joe® dealer. Replacement parts for a double-insulated appliance must be identical to the parts they replace. A double-insulated appliance is marked with the words "Double Insulation" or "Double Insulated." The symbol  (square within a square) may also be marked on the appliance.



DOUBLE-INSULATED: GROUNDING NOT REQUIRED. WHEN SERVICING, USE ONLY IDENTICAL REPLACEMENT PARTS.

This electric snow shovel is double-insulated, eliminating the need for a separate grounding system. Use only identical replacement parts. Read the instructions before servicing double-insulated appliances. Use this snow shovel only as described in this manual.

Electrical Safety

1. Ground fault circuit interrupter (GFCI) protection should be provided on the circuit(s) or outlet(s) to be used for this electric snow shovel. Receptacles are available having built-in GFCI protection and may be used for this measure of safety.
2. To reduce the risk of electric shock, this appliance has a polarized plug (i.e. one blade is wider than the other). Use this appliance only with a polarized UL-, CSA- or ETL-listed extension cord recommended for outdoor, all-weather use.

The appliance plug will fit into a polarized extension cord only one way. If the appliance plug does not fit fully into the extension cord, reverse the plug. If the plug still does not fit, obtain a correct polarized extension cord. A polarized extension cord will require the use of a polarized wall outlet. The extension cord plug will fit into the polarized wall outlet only one way. If the plug does not fit fully into the wall outlet, reverse the plug. If the plug still does not fit, contact a qualified electrician to install the proper wall outlet. Do not modify the appliance plug, extension cord receptacle or extension cord plug in any way.

3. To prevent electric shock, use only with an extension cord suitable for outdoor use, such as SW-A, SOW-A, STW-A, STOW-A, SJW-A, SJOW-A, SJTW-A, or SJTOW-A.

Before use, check that the extension cord is in good condition. When using an extension cord, make sure to use one heavy enough to carry the current your product will draw. For lengths less than 50 ft (15 m), a No.16 AWG (or greater) extension cord should be used. An undersized cord will cause a drop in line voltage resulting in loss of power and overheating.



WARNING!



Electric shock may cause SEVERE INJURY or DEATH. Heed these warnings:

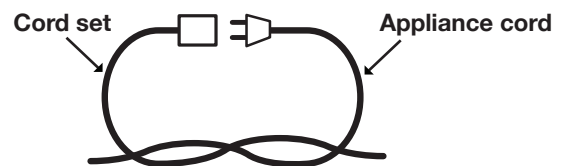
- Do not allow any part of the electric snow shovel to make contact with water while it is in operation. If the appliance becomes wet while turned off, wipe dry before starting.
- Use only a UL-, CSA- or ETL-rated extension cord for outdoor, all-weather use. Do not use an extension cord over 100 ft (30 m).
- Do not touch the appliance or its plug with wet hands or while standing in water. Wearing rubber boots offers some protection.

EXTENSION CORD CHART

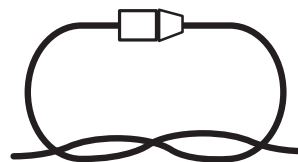
Cord Length:	Up to 50 ft (15 m)	+50 ft - 100 ft (+15 m - 30 m)
Min. Wire Gauge (A.W.G.):	16	14

4. To prevent the appliance cord from disconnecting from the extension cord during operation, make a knot with the two cords as shown in Table 1.

Table 1. Method of Securing Extension Cord



(A) Tie cord as shown


















(B) Connect plug and receptacle

5. Do not abuse the cord. Never pull the snow shovel by the cord or yank the cord to disconnect it from the receptacle. Keep the cord away from heat, oil, and sharp edges.

Safety Symbols

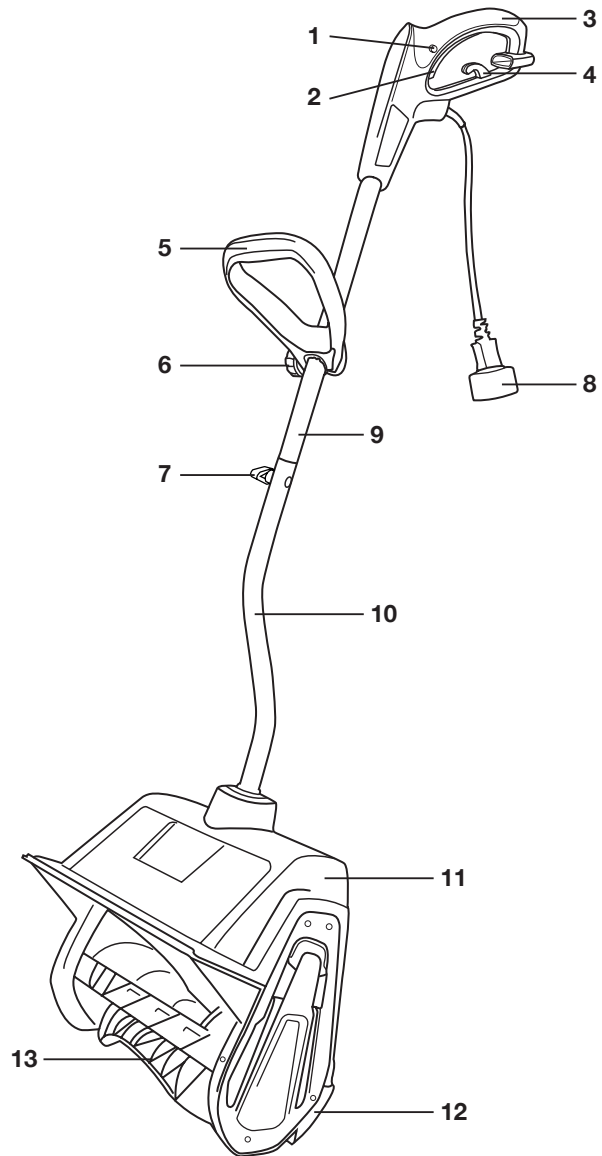
The following table depicts and describes safety symbols that may appear on this product. Read, understand and follow all instructions on the machine before attempting to assemble and operate.

Symbols	Descriptions	Symbols	Descriptions
	READ THE OPERATOR'S MANUAL(S) – Read, understand and follow all instructions in the user manual(s) before attempting to assemble and operate.		WARNING! Electrical shock hazard.
	SAFETY ALERT – Indicates a precaution, a warning or a danger.		WARNING! Do not expose the unit to rain or wet conditions. Keep dry.
	Wear hearing protection. Wear eye protection. Wear breathing protection.		DANGER! Cutting/dismemberment hazard - Keep feet away from the rotating auger.
	Keep the flexible power supply cord away from the cutting blades.		DANGER! Cutting/dismemberment hazard - Keep hands away from the rotating auger. Do not use hands to unclog rotor housing. Stop motor before removing debris.
	Wear safety gloves during use to protect hands.		Wear safety footwear at all times to provide protection against objects that may accidentally fall on feet.
	Keep bystanders and children a safe distance (at least 11 yd/10 m) away from the work area.		CAUTION! Beware of stones and other foreign objects that could be thrown from the appliance.
	Always keep the power cable away from heat sources, oils or sharp edges. Immediately remove plug from the mains if the cable is damaged, frayed or entangled.		WARNING! Turn the machine OFF and disconnect it from the power supply before inspecting, cleaning, changing accessories or conducting any other maintenance task.
	Double Insulation.		The rotating part will continuously run for several seconds after you turn off the machine.

Know Your Electric Snow Shovel

Read the owner's manual and safety instructions carefully before operating the electric snow shovel. Compare the illustration below to the electric snow shovel in order to familiarize yourself with the location of the various controls and adjustments. Save this manual for future reference.

1. Safety lock button
2. ON/OFF trigger switch
3. Upper handle
4. Extension cord restraint hook
5. Adjustable handle
6. Handle knob
7. Joint-fixing knob & bolt
8. Appliance cord
9. Upper tube
10. Lower tube
11. Motor housing
12. Scraper blade
13. High-impact/low-temperature resistant paddle auger



Technical Data

Rated Voltage	120 V ~ 60 Hz	Clearing Width	13 in. (33 cm)
Power	10 A	Depth of Snow Cut	6 in. (15 cm)
No Load Speed	2150 ± 10% rpm	Throw Distance (Max)	20 ft (6 m)
Rotor	High-impact/low-temperature resistant paddle auger	Plowing Capacity (Max)	400 lbs/min (181 kg/min)
		Weight	13.8 lbs (6.3 kg)

Unpacking

Carton Contents

- Electric snow shovel
- Joint-fixing knob and bolt
- Adjustable handle and knob
- Manual

1. Carefully remove the electric snow shovel and check to see that all of the above items are supplied.
2. Inspect the product carefully to make sure no breakage or damage occurred during shipping. If you find damaged or missing parts, DO NOT return the unit to the store. Please call the Snow Joe® + Sun Joe® customer service center at 1-866-SNOWJOE (1-866-766-9563).

NOTE: Do not discard the shipping carton and packaging material until you are ready to use your new electric snow shovel. The packaging is made of recyclable materials. Properly dispose of these materials in accordance with local regulations.

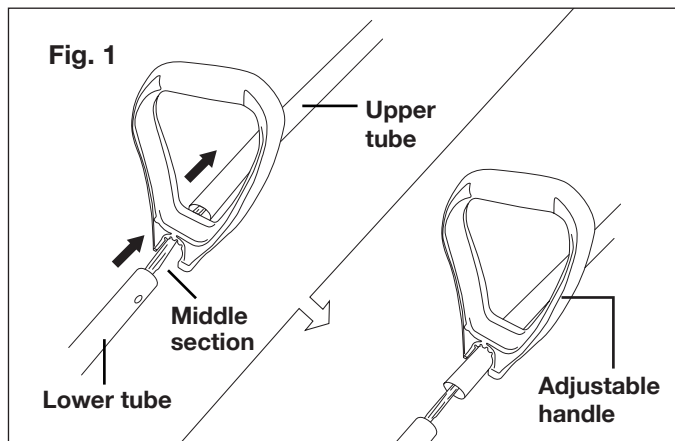
IMPORTANT! The equipment and packaging material are not toys. Do not let children play with plastic bags, foils or small parts. These items can be swallowed and pose a suffocation risk!

Assembly

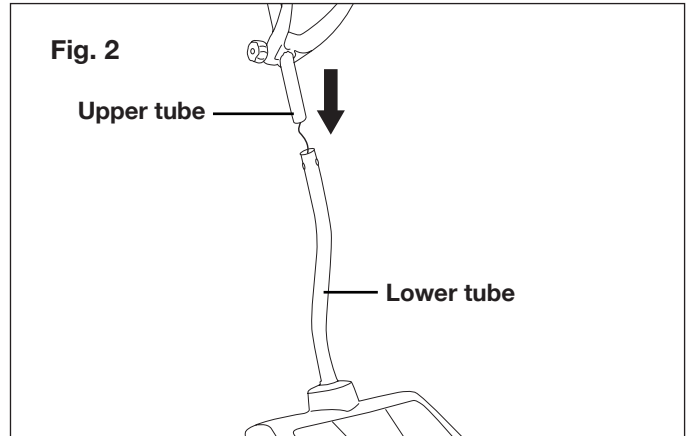
Connecting the Upper and Lower Tubes

1. Before connecting the upper and lower tubes, slide the adjustable handle onto the upper tube at the middle section (Fig. 1).

NOTE: Do not try to install the adjustable handle after the tubes are assembled.

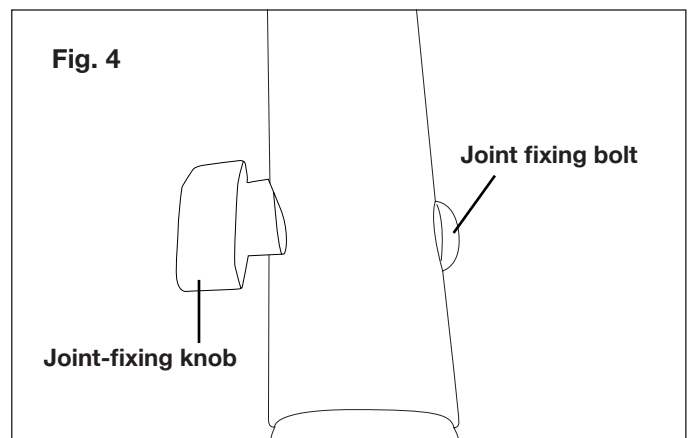
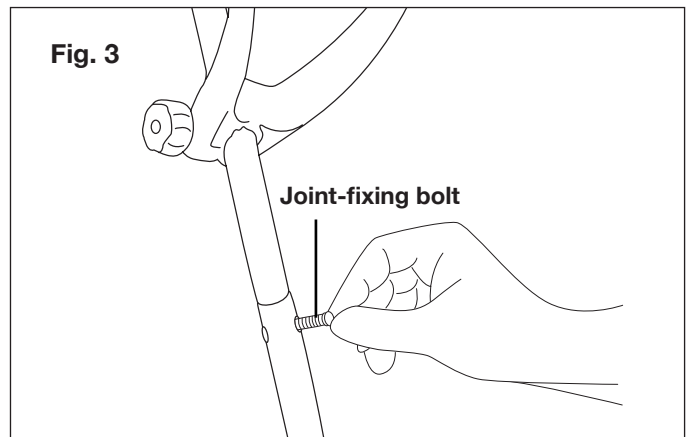


2. Slide the upper tube inside the lower tube and align the screw holes (Fig. 2).



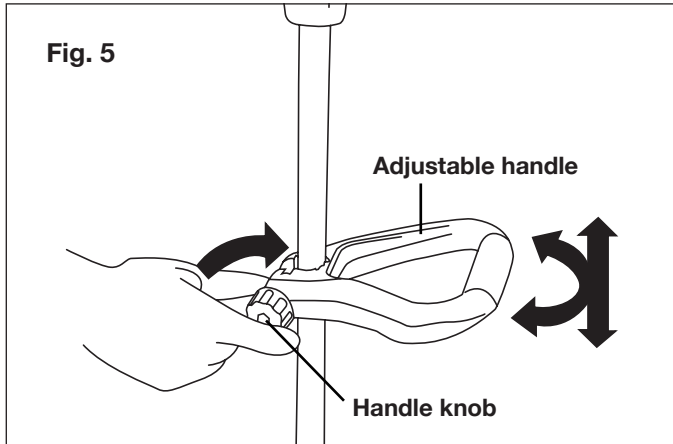
3. Insert the joint-fixing bolt through the aligned holes in the upper and lower tubes and secure the other end with the joint-fixing knob (Figs. 3 & 4).

NOTE: You may have to carefully move the wiring inside the tube to one side if it blocks the path of the bolt. (Use the shipping wire to maneuver the electrical wiring; do not use a sharp tool.)



Positioning the Adjustable Handle

1. Move and rotate the adjustable handle to a comfortable working position (Fig. 5).
2. Tighten the handle knob.

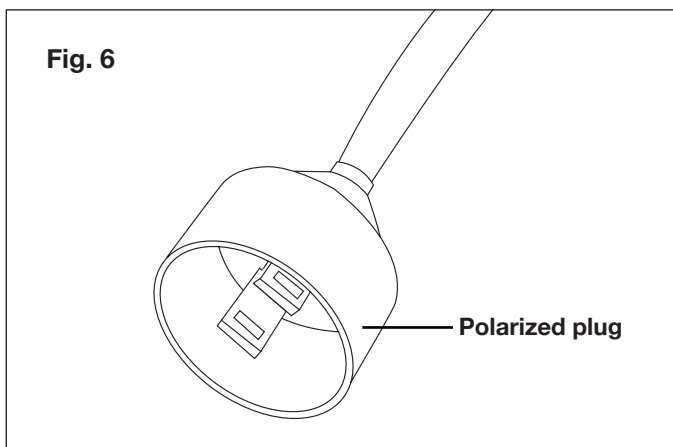


Operation

IMPORTANT: This electric snow shovel is intended for outdoor, residential use only. Do not use this appliance indoors or for commercial or industrial purposes.

Connecting to a Power Source

To reduce the risk of electric shock, this appliance has a polarized plug (i.e. one blade is wider than the other; see Fig. 6).



Use this appliance only with a polarized UL-, CSA- or ETL-listed extension cord recommended for outdoor, all-weather use.

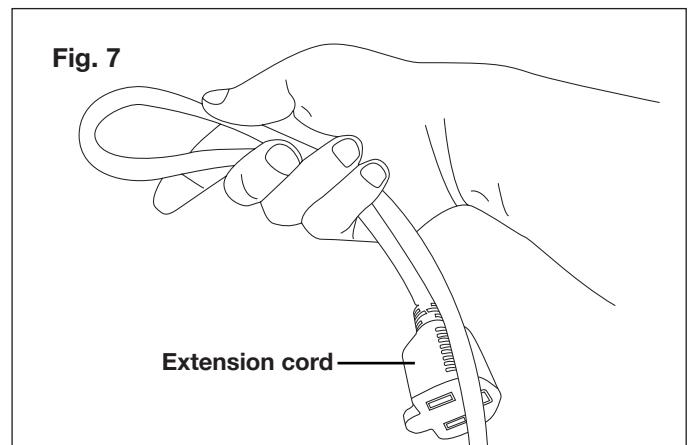
The appliance plug will fit into a polarized extension cord only one way. If the appliance plug does not fit fully into the extension cord, reverse the plug. If the plug still does not fit, obtain a correct polarized extension cord. A polarized extension cord will require the use of a polarized wall outlet. The extension cord plug will fit into the polarized wall outlet only one way. If the plug does not fit fully into the wall outlet, reverse the plug. If the plug still does not fit, contact a qualified electrician to install the proper wall outlet. Do not modify the appliance plug, extension cord receptacle or extension cord plug in any way.

IMPORTANT: Check the extension cord frequently during use for holes or cracks in the insulation. Do not use a damaged cord. Do not run the cord through standing water or wet grass.

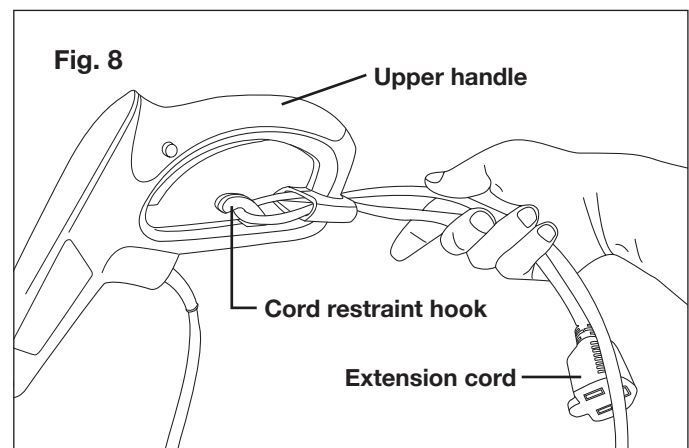
Use only an extension cord recommended for outdoor use.

Securing the Extension Cord

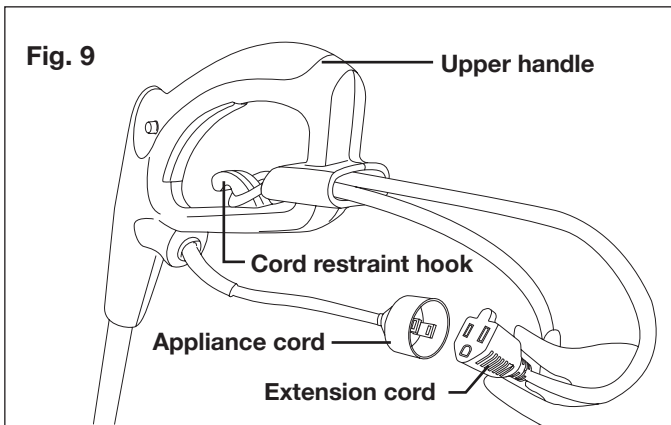
1. Make a loop with the extension cord (Fig. 7).



2. Insert the loop through the opening in the back of the upper handle and secure the loop onto the extension cord restraint hook (Fig. 8).



3. Connect the extension cord to the appliance cord (Fig. 9).

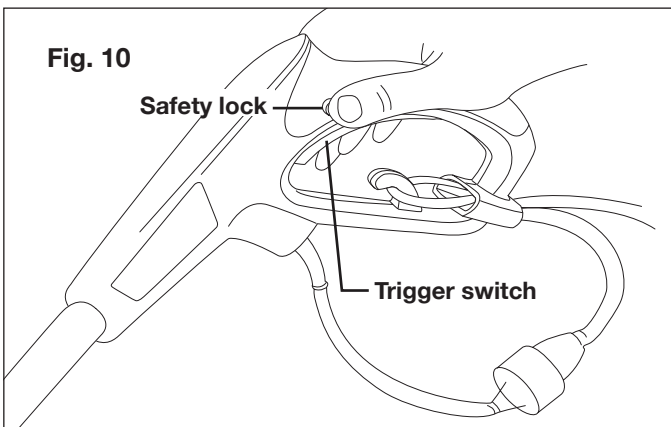


NOTE: Securing the extension cord in this way helps to prevent you from accidentally disconnecting the extension cord from the appliance during operation.

4. Plug the extension cord into a wall outlet.
5. Keep the area to be cleared free of stones, toys or other foreign objects that the rotor blades might pick up and throw. Such items could be covered by snow and are easy to overlook, so be sure to conduct a thorough inspection of the area before beginning work.

Starting and Stopping

1. To start the electric snow shovel, push and hold the safety lock button on the top of the handle grip with your thumb and then squeeze the trigger switch with your fingers. Once the machine powers on, you can release the safety lock button and proceed with operation (Fig. 10).



2. To stop the electric snow shovel, release the trigger switch.

Operating Tips

- Start the electric snow shovel and tilt it forward until the scraper blade at the base of the unit contacts the ground. Push the shovel forward at a comfortable rate, yet slow enough to clear the path completely. The clearing width of the snow shovel and the depth of snowfall should dictate your forward speed.

- Direct the snow discharge to the right or to the left by holding the electric snow shovel at a slight angle.
- To remove snow most efficiently, throw the snow downwind and slightly overlap each swath.
- If you need to clear snow from a crushed rock or gravel surface, push down on the handle to clear the scraper of any loose material that the rotor blades could throw.
- This electric snow shovel cuts a path 13 in. (33 cm) wide and up to 6 in. (15 cm) deep in one pass.
- When clearing deeper drifts, hold the electric snow shovel by the upper and lower handles and use a swinging or sweeping motion. Remove up to 6 in. (15 cm) of snow with each pass and repeat as many times as needed.
- Keep the cord clear of obstructions, sharp objects and the rotating auger. Do not pull sharply on the cord or abuse it in any manner. Frequently inspect the cord for signs of damage. If damage is found, replace the cord immediately.
- Disconnect the extension cord after using the electric snow shovel. Hang the extension cord with the shovel so it will not be misplaced or damaged.

Maintenance

To order genuine replacement parts or accessories for the Snow Joe® 323E-RM electric snow shovel, please visit snowjoe.com or contact the Snow Joe® + Sun Joe® customer service center at 1-866-SNOWJOE (1-866-766-9563).

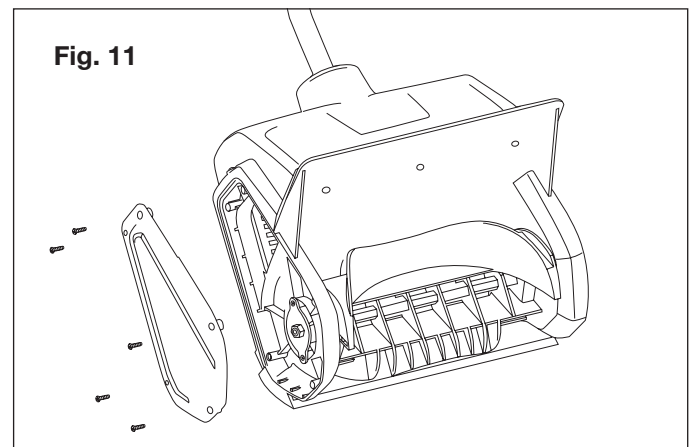
⚠️ WARNING! Disconnect the extension cord before performing any maintenance task.

If the extension cord is plugged into the appliance, someone could accidentally turn on the unit while you are performing maintenance on it, which could result in serious personal injury.

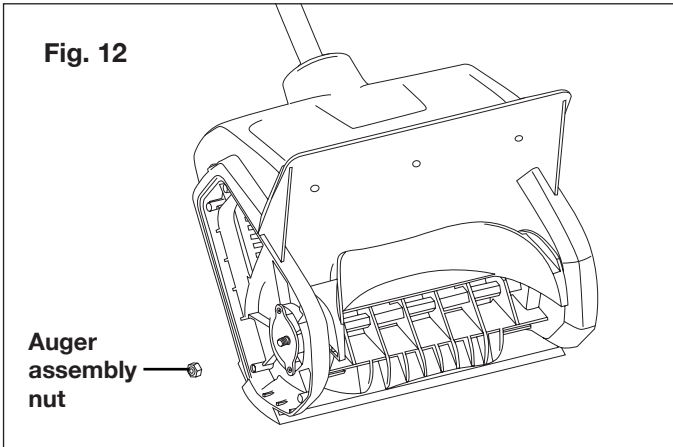
Replacing the Auger

⚠️ WARNING! Disconnect the power supply to the electric snow shovel before beginning work.

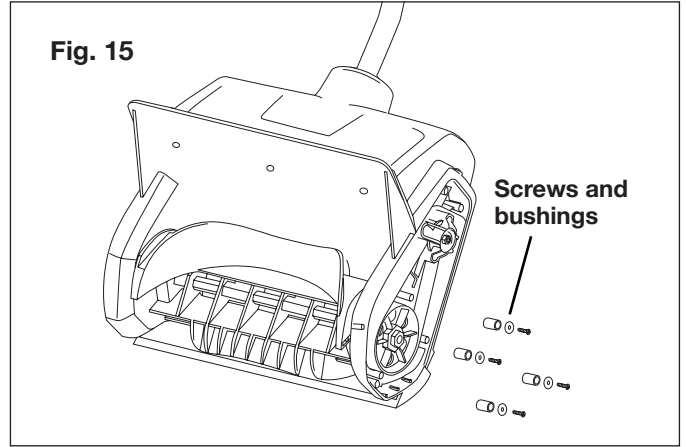
1. Disassemble the right side cover by removing the five (5) screws that hold it in place (Fig. 11).



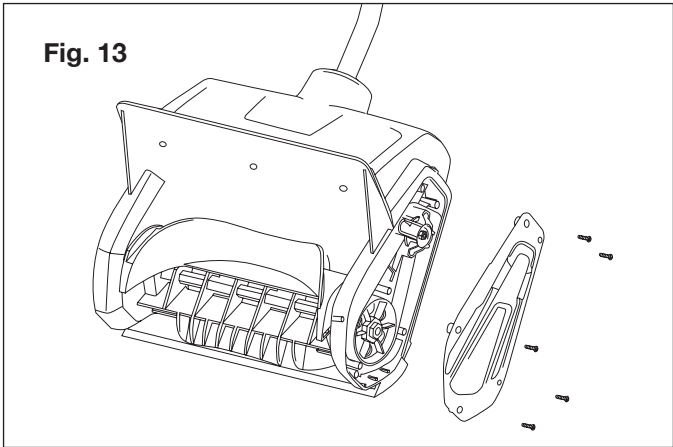
2. Secure the auger as you disassemble the auger assembly nut (Fig. 12).



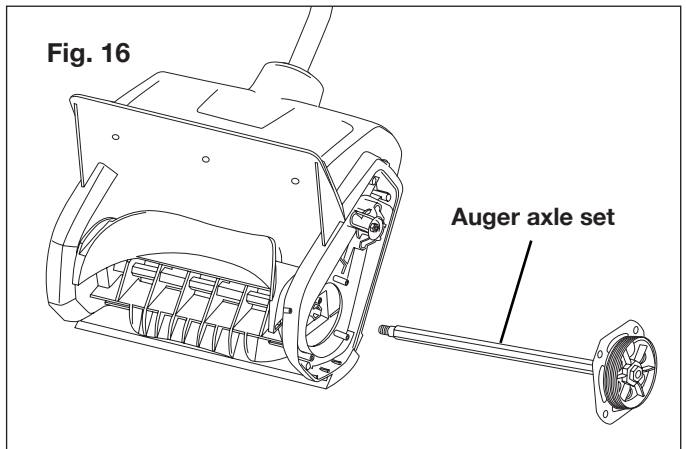
5. Remove the screws and the bushings from the drive wheel (Fig. 15).



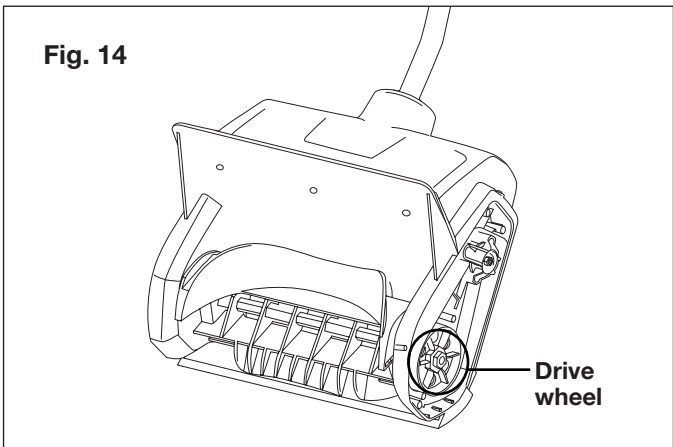
3. Disassemble the left side cover by removing the five (5) screws that hold it in place (Fig. 13).



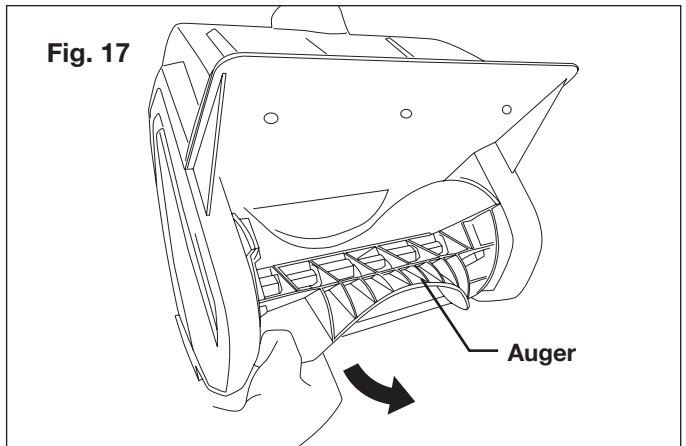
6. Remove the auger axle set (Fig. 16).



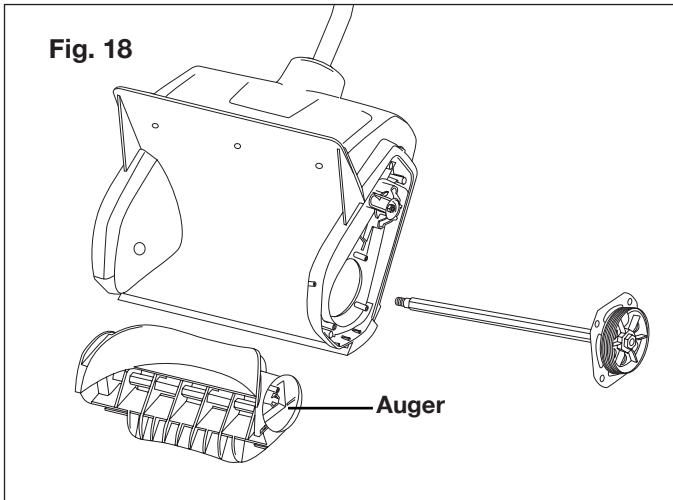
4. Remove the belt from the drive wheel (Fig. 14).



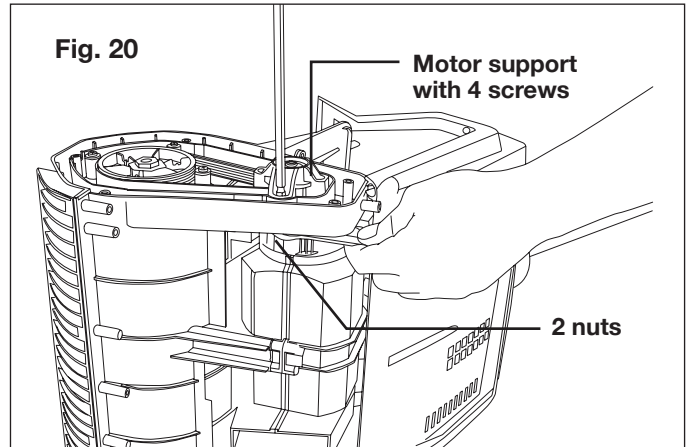
7. Remove the old auger from the housing (Fig. 17).



8. Install the replacement auger by following the above steps in reverse order (Fig. 18).



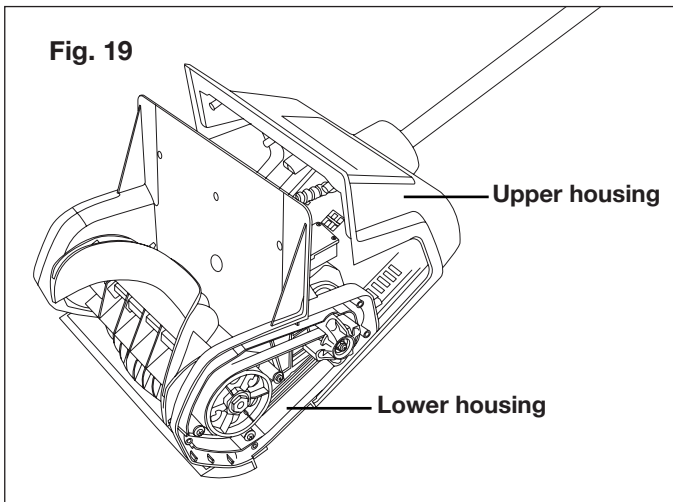
4. Remove the four (4) screws and two (2) nuts from the motor support (Fig. 20).



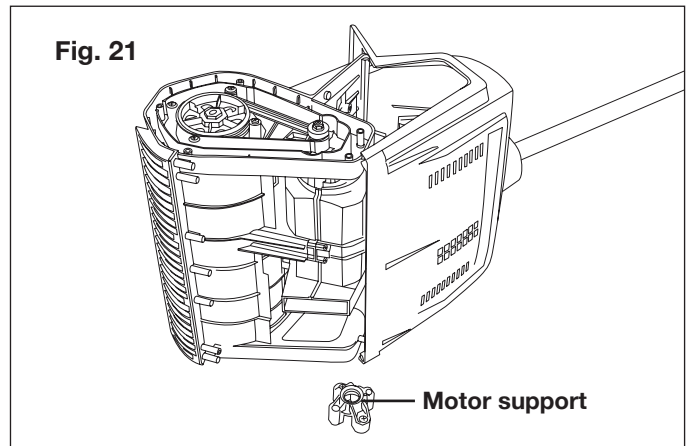
Replacing the Belt

⚠ WARNING! Disconnect the power from the electric snow shovel before performing this task.

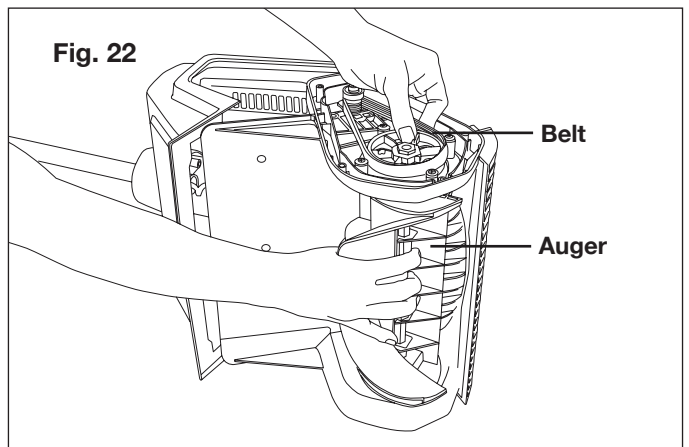
1. Disassemble the right side cover by removing the five (5) screws that hold it in place (Fig. 11).
2. Disassemble the left side cover by removing the five (5) screws that hold it in place (Fig. 13).
3. Remove all housing screws and set the upper housing apart from the lower housing (Fig. 19).

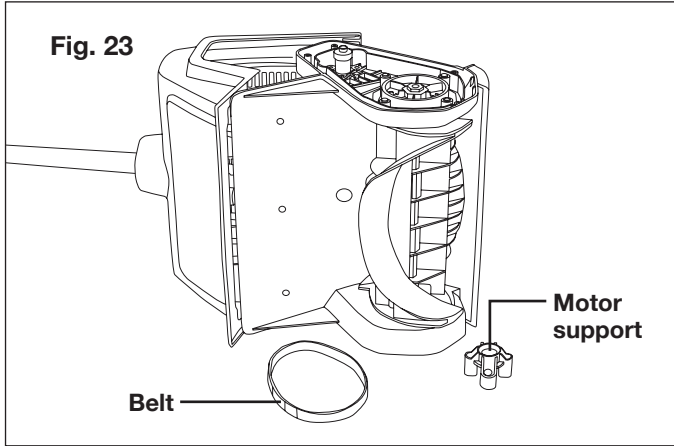


5. Remove the motor support from the body (Fig. 21).

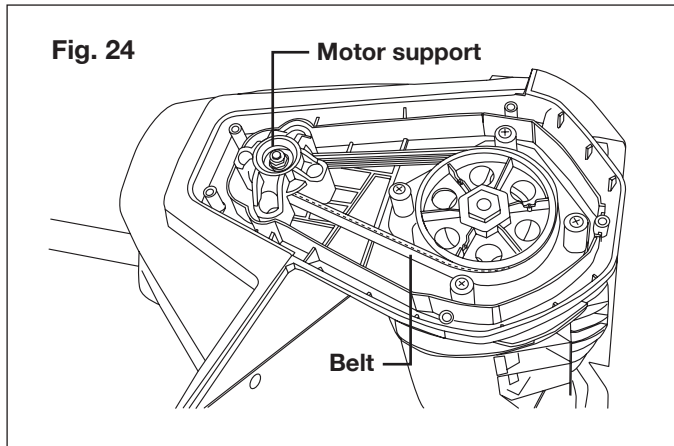


6. Remove the old belt from the body by slowly turning the auger while lifting the belt (Figs. 22 & 23).





7. Replace the worn belt with a new belt, then screw the motor support back into position (Fig. 24).

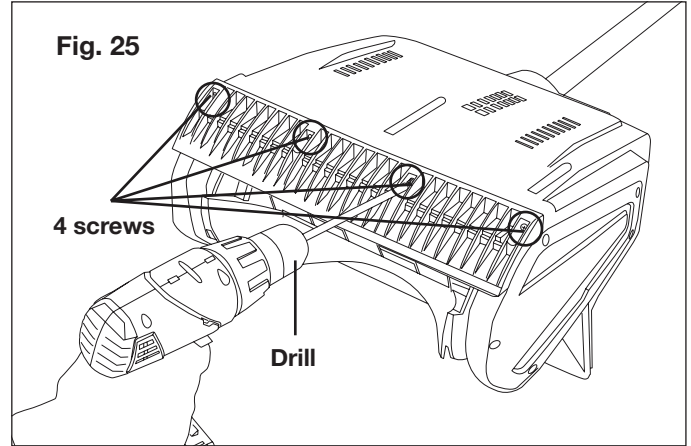


8. Reattach the upper housing to the lower housing by replacing all housing screws (Fig. 19).
9. Place the left side cover back into position and refasten the five (5) screws.
10. Place the right side cover back into position and refasten the five (5) screws.

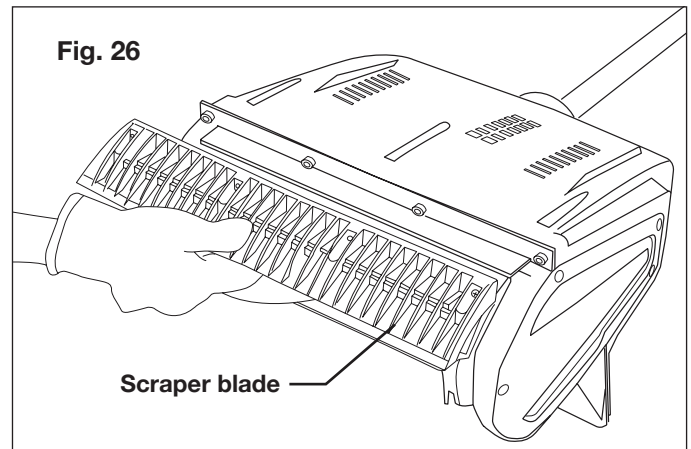
Replacing the Scraper Blade

⚠ WARNING! Disconnect the power from the electric snow shovel before performing this task.

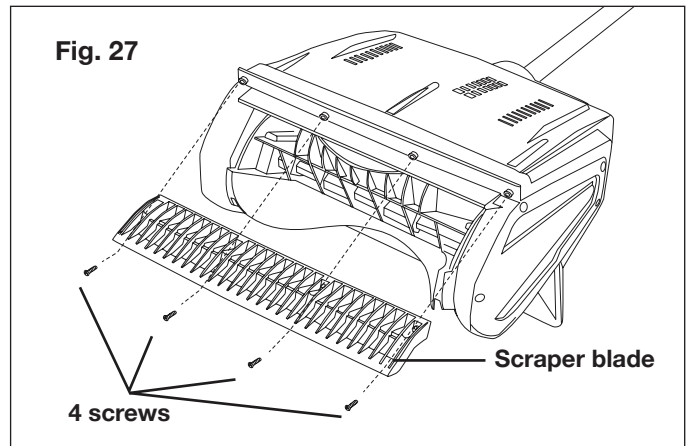
1. Turn the snow shovel over. Using a drill, remove the four (4) screws that secure the scraper blade to the base of the unit (Fig. 25).



2. Remove the old scraper blade (Fig. 26).



3. Install the new scraper blade and fasten it securely to the housing with the four (4) screws (Fig. 27).



Lubricating the Electric Snow Shovel

This electric snow shovel does not need lubrication. All bearings are lubricated at the factory for the life of the product.

Storage

1. Examine the electric snow shovel thoroughly for worn, loose or damaged parts. Should you need to repair or replace a part, contact an authorized Snow Joe® + Sun Joe® dealer or call the Snow Joe® + Sun Joe® customer service center at 1-866-SNOWJOE (1-866-766-9563) for assistance.
2. Examine the extension cord thoroughly for signs of excess wear or damage. If it is worn or damaged, replace it immediately.
3. Disconnect the extension cord from the electric snow shovel before storing.
4. Store the cord with the electric snow shovel indoors in a clean, dry and locked location out of the reach of children and animals.

NOTE: Devices for retaining extension cords are commercially available, should you wish to purchase one.

5. For added protection against snow, ice, sun damage, rain, dust, tree sap and birds, cover your electric snow shovel with the Snow Joe® Universal Fit Snow Shovel Cover (Model SJPCVR). To order this cover online, visit snowjoe.com or, to order by phone, call 1-866-SNOWJOE (1-866-766-9563).

Service and Support

If your Snow Joe® 323E-RM electric snow shovel requires service or maintenance, please call the Snow Joe® + Sun Joe® customer service center at 1-866-SNOWJOE (1-866-766-9563).


Model and Serial Numbers

When contacting the company, reordering parts or arranging service from an authorized dealer, you will need to provide the model and serial numbers, which can be found on the decal located on the housing of the unit. Copy these numbers into the space provided below.

Record the following numbers from the housing or handle of your new product:	
Model #:	_____
3 2 3 E - R M	_____
Serial #:	_____

Accessories

⚠️ WARNING! ALWAYS use only authorized Snow Joe® + Sun Joe® replacement parts and accessories. NEVER use replacement parts or accessories that are not intended for use with this electric snow shovel. Contact Snow Joe® + Sun Joe® if you are unsure whether it is safe to use a particular replacement part or accessory with your electric snow shovel. The use of any other attachment or accessory can be dangerous and could cause injury or mechanical damage.

Accessories	Item	Model
<p>①</p> 	Universal 13-inch snow shovel protective cover	SJPCVR

NOTE: Accessories are subject to change without any obligation on the part of Snow Joe® + Sun Joe®. Accessories can be ordered online at snowjoe.com or via phone by contacting the Snow Joe® + Sun Joe® customer service center at 1-866-SNOWJOE (1-866-766-9563).



SNOW JOE® + SUN JOE® REFURBISHED GOODS WARRANTY

GENERAL CONDITIONS:

Snow Joe® + Sun Joe® operating under Snow Joe®, LLC warrants this refurbished product to the original purchaser for 90 days against defects in material or workmanship when used for normal residential purposes. If a replacement part or product is needed, it will be sent free of charge to the original purchaser except as noted below.

The duration of this warranty applies only if the product is put to personal use around the household. It is the owner's responsibility to correctly perform all maintenance and minor adjustments explained in the owner's manual.

HOW TO OBTAIN YOUR REPLACEMENT PART OR PRODUCT:

To obtain a replacement part or product, please visit snowjoe.com/help or email us at help@snowjoe.com for instructions. Please be sure to register your unit beforehand to speed up this process. Certain products may require a serial number, typically found on the decal affixed to the housing or guard of your product. All products require a valid proof of purchase.

EXCLUSIONS:

- Wearing parts like belts, augers, chains and tines are not covered under this warranty. Wearing parts can be purchased at snowjoe.com or by calling 1-866-SNOWJOE (1-866-766-9563).
- Batteries are covered in full for 90-days from the date of purchase.

Snow Joe® + Sun Joe® may from time to time change the design of its products. Nothing contained in this warranty shall be construed as obligating Snow Joe® + Sun Joe® to incorporate such design changes into previously manufactured products, nor shall such changes be construed as an admission that previous designs were defective.

This warranty is intended to cover product defects only. Snow Joe®, LLC is not liable for indirect, incidental or consequential damages in connection with the use or misuse of the Snow Joe® + Sun Joe® products covered by this warranty. This warranty does not cover any cost or expense incurred by the purchaser in providing substitute equipment or service during reasonable periods of malfunction or non-use of this product while waiting for a replacement part or unit under this warranty. Some states do not allow exclusions of incidental or consequential damages so the above exclusions may not apply in all states. This warranty may give you specific legal rights in your state.

HOW TO REACH US:

We're here to help Monday through Friday from 9AM to 6PM EST. You can reach us at 1-866-SNOWJOE (1-866-766-9563), online at snowjoe.com, via email at help@snowjoe.com or tweet us @snowjoe.

EXPORTS:

Customers who have purchased Snow Joe® + Sun Joe® products exported from the United States and Canada should contact their Snow Joe® + Sun Joe® distributor (dealer) to obtain information applicable to your country, province or state. If for any reason, you are not satisfied with the distributor's service, or if you have difficulty obtaining warranty information, contact your Snow Joe® + Sun Joe® seller. If in the event your efforts are unsatisfactory, please reach out to us directly.



snowjoe.com

⚠️WARNING! This product or its power cord contains chemicals, including lead, known to the State of California to cause cancer and birth defects or other reproductive harm. Wash hands after handling. For more information go to www.P65Warnings.ca.gov.

⚠️WARNING! Some dust created by power sanding, sawing, grinding, drilling, and other construction activities contains chemicals known [to the State of California] to cause cancer, birth defects, or other reproductive harm. Some examples of these chemicals are:

- lead from lead-based paints,
- crystalline silica from bricks and cement and other masonry products, and
- arsenic and chromium from chemically-treated lumber.

Your risk from these exposures varies, depending on how often you do this type of work. To reduce your exposure to these chemicals: work in a well ventilated area, and work with approved safety equipment, such as those dust masks that are specifically designed to filter out microscopic particles. For more information go to www.P65Warnings.ca.gov.