



ELECTRIC LAWN SCARIFIER + DETHATCHER

12.6-INCH | 12-AMP

EN

OPERATOR'S MANUAL

A Division of Snow Joe®, LLC

Model AJ798E

Form No. SJ-AJ798E-880E-M

IMPORTANT! Safety Instructions

All Operators Must Read These Instructions Before Use

Always follow these safety guidelines. Failure to do so may result in serious bodily injury or death.

General Safety WARNINGS!

When using this electric scarifier + dethatcher, basic safety precautions should always be followed to reduce the risk of fire, electric shock and personal injury.

Before using the scarifier + dethatcher, take the time to familiarize yourself with the controls, especially how to stop the machine in an emergency. The only individuals who should use the scarifier + dethatcher are those who have a thorough understanding of the instructions and who know how to operate the machine. Children should never be allowed access to the scarifier + dethatcher.

Retain this manual for future reference and reread it at the start of each dethatching session.

General Safety


- 1. Keep work area clean and well-lit** – Cluttered, dark areas invite accidents.
- 2. Replacement parts** – When servicing this unit, use only identical replacement parts. Replace or repair damaged cords immediately.
- 3. Keep children, bystanders, and pets away** – All spectators, including pets, should be kept a safe distance away from the work area.
- 4. Dress properly** – Do not wear loose clothing or jewelry as such articles can get caught in moving parts. Wear a protective covering to contain long hair. Wearing rubber gloves and substantial non-slip footwear is recommended when working outdoors.
- 5. Avoid accidental starting** – Do not carry the scarifier + dethatcher with your finger on the switch. Make sure the switch is off before plugging in the unit.
- 6. Do not force the tool** – It will perform better with less likelihood of personal or mechanical injury if it is used at the rate for which it is designed.

- 7. Wear personal protective equipment** – When using this tool, wear safety glasses with side shields or goggles to provide necessary eye protection. Wear ear defenders to prevent hearing damage. Use a face or dust mask if the work environment is dusty.
- 8. Disconnect the tool** – Disconnect the scarifier + dethatcher from the power supply when it is not in use, before servicing it, when changing accessories, and when performing any other maintenance task.
- 9. Store idle tool indoors** – When not in use, the scarifier + dethatcher should be stored indoors in a dry and high or locked-up place out of the reach of children.
- 10. Maintain the scarifier + dethatcher with care** – Keep cutting edges sharp and clean for optimal and safest performance.

Inspect the scarifier + dethatcher cord periodically and if damage is found have it repaired by an authorized service facility. Extension cords should also be inspected periodically and immediately replaced if damaged. Keep handles dry, clean and free from oil and grease.

- 11. Use the right tool** – Do not use the tool for any job except that for which it is intended.
- 12. Avoid dangerous environments** – Do not use the scarifier + dethatcher in rain, damp, or wet locations.
- 13. Stay alert** – Watch what you are doing. Use common sense. Do not operate the scarifier + dethatcher when you are tired or under the influence of drugs, alcohol, or other medication.
- 14. Do not overreach** – Keep proper footing and balance at all times.
- 15. Check Damaged Parts** – Before further use of the appliance, a guard or other part that is damaged should be carefully checked to determine that it will operate properly and perform its intended function. Check for alignment of moving parts, binding of moving parts, breakage of parts, mounting, and any other condition that may affect its operation. A guard or other part that is damaged should be properly repaired or replaced. Contact the Snow Joe® + Sun Joe® customer service center at 1-866-SNOWJOE (1-866-766-9563) for assistance.

Double-Insulated Appliances

In a double-insulated appliance, two systems of insulation are provided instead of grounding. No grounding means that it is already provided on a double-insulated appliance. Servicing a double-insulated appliance requires extreme care and knowledge of the system, and should be performed only by qualified service personnel at an authorized Snow Joe® + Sun Joe® dealer. Replacement parts for a double-insulated appliance must be identical to the parts they replace. A double-insulated appliance is marked with the words “Double Insulation” or “Double Insulated.” The symbol  (square within a square) may also be marked on the appliance.





DOUBLE-INSULATED: GROUNDING NOT REQUIRED. WHEN SERVICING, USE ONLY IDENTICAL REPLACEMENT PARTS.

This electric scarifier + dethatcher is double-insulated, eliminating the need for a separate grounding system. Use only identical replacement parts. Read the instructions before servicing double-insulated appliances. Use this electric scarifier + dethatcher only as described in this manual.

Electric Safety

1. Ground fault circuit interrupter (GFCI) protection should be provided on the circuit(s) or outlet(s) to be used for the dethatcher. Receptacles are available having built-in GFCI protection and may be used for this measure of safety.
2. To prevent electric shock, use only with an extension cord suitable for outdoor use, such as SW-A, SOW-A, STW-A, STOW-A, SJW-A, SJOW-A, SJTW-A, or SJTOW-A.

Before use, check that the extension cord is in good condition. When using an extension cord, make sure to use one heavy enough to carry the current your product will draw. An undersized cord will cause a drop in line voltage resulting in loss of power and overheating.


WARNING


Electric shock may cause SEVERE INJURY or DEATH. Heed these warnings:

- Do not allow any part of the electric scarifier + dethatcher to make contact with water while it is in operation. If the appliance becomes wet while turned off, wipe dry before starting.
- Use only a UL-, CSA-, or ETL-rated extension cord for outdoor, all-weather use, such as the Snow Joe®+ Sun Joe® SJTW-A 14-gauge 50-foot extension cord with lighted end (Model PJEXT50-B). Visit sunjoe.com to purchase this extension cord online or, to order by phone, call 1-866-SNOWJOE (1-866-766-9563).
- Do not use an extension cord over 100 ft (30 m).
- Do not touch the appliance or its plug with wet hands or while standing in water. Wearing rubber boots offers some protection.

EXTENSION CORD CHART

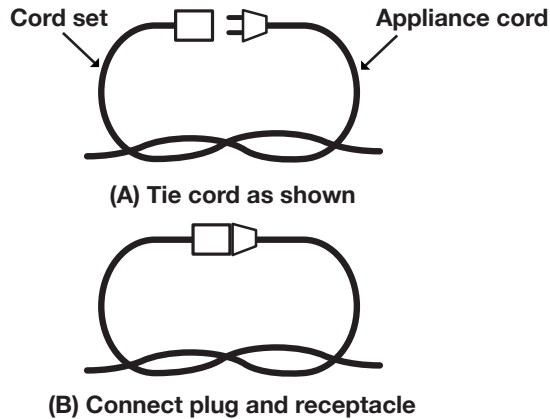
Extension Cord Length	Up to 50 ft (15 m)	+50 ft - 100 ft (+15 m - 30 m)
Wire Gauge (A.W.G.):	14	12

3. To reduce the risk of electric shock, this appliance has a polarized plug (i.e. one blade is wider than the other). Use this appliance only with a polarized, UL-listed (CSA certified in Canada) extension cord recommended for outdoor use. The appliance plug will fit into a polarized extension cord only one way.

If the appliance plug does not fit fully into the extension cord, reverse the plug. If the plug still does not fit, obtain a correct polarized extension cord. A polarized extension cord will require the use of a polarized wall outlet. The extension cord plug will fit into the polarized wall outlet only one way. If the plug does not fit fully into the wall outlet, reverse the plug. If the plug still does not fit, contact a qualified electrician to install the proper wall outlet. Do not modify the appliance plug, extension cord receptacle or extension cord plug in any way.

4. To prevent the appliance cord from disconnecting from the extension cord during operation, make a knot with the two cords as shown in Table 1.

Table 1. Method of Securing Extension Cord



5. Do not abuse the cord. Never pull the dethatcher by the cord or yank the cord to disconnect it from the receptacle. Keep the cord away from heat, oil and sharp edges, especially the rotating tines. Position the cord so that it will not get caught on lumber, tools or other obstructions while working with the dethatcher. Failure to heed these warnings can result in serious personal injury.

IMPORTANT!

Safety Instructions for Walk-Behind Scarifier + Dethatchers

General Operation

- Read, understand and follow all instructions on the machine and in the manual(s) before starting.
- Thoroughly inspect the area where the equipment is to be used and remove all foreign objects.

⚠️ WARNING! Foreign objects in the work area can be picked up by the scarifier + dethatcher and launched into your eyes, which can result in severe personal injury. In addition to surveying the area and removing foreign objects before beginning work, always wear safety goggles or safety glasses with side shields and, when necessary, a full face shield.

- Use the electric scarifier + dethatcher only in daylight or good artificial light.
- Do not operate the equipment without wearing adequate outer garments. Wear protective footwear that will improve footing on slippery surfaces.
- Use extension cords and receptacles as specified by the manufacturer for all units with electric drive motors or electric starting motors (see extension cord chart on page 2).
- Never attempt to make any adjustments while the motor is running.

- Never operate the scarifier + dethatcher in wet grass. Always be sure of your footing; walk, never run, with the machine.
- Do not put hands or feet near or under rotating parts.
- Exercise extreme caution when operating on or crossing gravel drives, walks or roads. Stay alert for hidden hazards or traffic.
- Exercise caution to avoid slipping or falling.
- Stop the motor and disconnect the power supply when leaving the operating position, before unclogging the tines and when repairing, adjusting, inspecting or performing any other maintenance on the machine.
- Take all necessary precautions when leaving the machine unattended. Stop the motor and remove the power cord.
- Before cleaning, repairing or inspecting the unit, shut off the motor, disconnect the power supply and wait until all moving parts have come to a complete stop.
- Never operate the machine without proper guards, plates or other safety protective devices in place and in proper working order.
- Keep children and pets away.
- Do not overload the machine capacity by attempting to dethatch too deep at too fast a rate.
- Never operate the machine at high transport speeds on hard or slippery surfaces.
- Never allow bystanders near the unit when operating.
- Use only attachments and accessories approved by the manufacturer of the machine.
- Never operate the machine without good visibility or light.
- Be careful when cultivating in hard ground. The tines may catch in the ground and propel the machine forward. If this occurs, let go of the handlebars and the starting lever and do not restrain the machine.
- Use extreme caution when reversing or pulling the machine towards you.
- Stop the tines if the machine has to be tilted for transportation. Do not operate the tines when crossing surfaces other than grass, and when transporting the product to and from the working area.
- Do not tilt the machine when switching on the motor, except if the product has to be tilted for starting. In this case, do not tilt it more than absolutely necessary and lift only the part which is away from the operator.
- Do not start the motor when standing in front of the discharge opening.
- Switch on the motor carefully according to the instructions and keep your feet clear of the rotating tines.
- Never pick up or carry the machine while the motor is running.
- Stop the motor and disconnect the machine from the power supply:
 - before clearing blockages or unclogging the discharge opening;

- before checking, cleaning or working on the machine;
- after striking a foreign object. Inspect the machine for damage and make repairs before restarting and operating the machine;
- if the machine starts to vibrate abnormally (check immediately).
- whenever you leave the machine.
- Never use the scarifier + dethatcher without the thatch collection bag securely fitted.
- **WARNING!** Beware of sharp tines. Tines continue to rotate after the motor is switched off.

Slope Operation

Slopes are major factors related to slip and fall accidents, which can result in severe injury. Operation on all slopes requires extra caution. If you feel uneasy on a slope, do not dethatch it.

- Dethatch across the face of slopes; never dethatch slopes following an up and down traverse. Exercise extreme caution when changing direction on a slope.
- Watch for holes, ruts, bumps, rocks or other hidden objects. These may cause an unexpected slip or fall.
- Do not dethatch on wet grass or excessively steep slopes. Poor footing could cause a slip and fall accident.
- Do not dethatch near drop offs, ditches or embankments. You could lose your footing or balance.

Children Safety

Tragic accidents can occur if the operator is not alert to the presence of children. Children are often attracted to the machine and the dethatching activity. Never assume that children will remain where you last saw them.

- Keep children out of the dethatching area and under the watchful care of a responsible adult other than the operator.
- Stay alert and turn the dethatcher off if a child enters the area.
- Never let children operate the machine.
- Use extra care when approaching blind corners, shrubs, trees or other objects that may block your view of a child.

Vibration + Noise Reduction

To reduce the impact of noise and vibration emission, limit the time of operation, use low-vibration and low-noise operating modes as well as wear personal protective equipment. Take the following points into account to minimize the vibration and noise exposure risks:

- Only use the product as intended by its design and these instructions.
- Ensure that the product is in good condition and well maintained.
- Use correct application tools for the product and ensure they are in good condition.

- Keep tight grip on the handles/grip surface.
- Maintain this product in accordance with these instructions and keep it well lubricated (where appropriate).
- Plan your work schedule to spread any high vibration tool use across a number of days.

Residual Risks

Even if you are operating this product in accordance with all the safety requirements, potential risks of injury and damage remain. The following dangers can arise in connection with the structure and design of this product:

- Health defects resulting from vibration emission if the product is being used over long periods of time or not adequately managed and properly maintained.
- Injuries and damage to property due to broken application tools or the sudden impact of hidden objects during use.
- Danger of injury and property damage caused by flying objects.

⚠ WARNING! This product produces an electromagnetic field during operation! This field may under some circumstances interfere with active or passive medical implants! To reduce the risk of serious or fatal injury, we recommend persons with medical implants to consult their doctor and the medical implant manufacturer before operating this product!

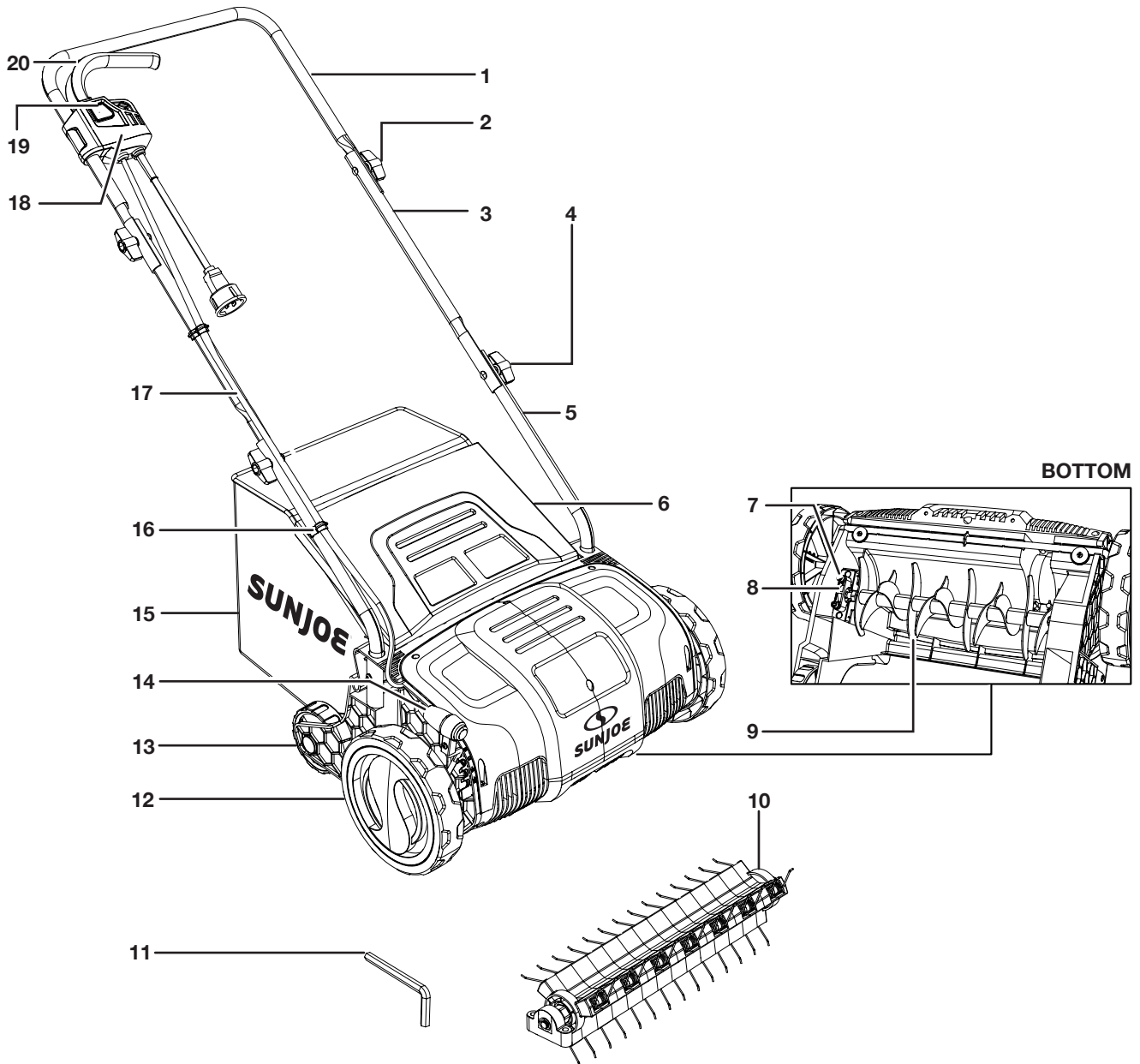
Safety Symbols

The following table depicts and describes safety symbols that may appear on this product. Read, understand and follow all instructions on the machine before attempting to assemble and operate.

Symbols	Descriptions	Symbols	Descriptions
	READ THE OPERATOR'S MANUAL(S) – Read, understand, and follow all instructions in the user manual(s) before attempting to assemble and operate.		SAFETY ALERT – Indicates a precaution, a warning, or a danger.
	WARNING! Do not expose the unit to rain or wet conditions.		WEAR EYE AND HEARING PROTECTION – For protection against injury, wear ear defenders and safety goggles.
	Wear protective gloves and non-slip footwear when using the machine and handling debris.		DANGER! Rotating blades – Keep hands and feet away from moving parts.
	Keep bystanders a safe distance away from the work area.		Thrown objects picked up by the rotating tines can cause severe injury.
	Inspect the work area prior to use and remove all objects that could be thrown by the appliance. If a hidden object is discovered while working, stop the engine and remove the object.		Use extreme CAUTION when reversing or pulling the machine towards you.
	SWITCH OFF! Remove plug from outlet before cleaning or conducting maintenance checks.		SWITCH OFF! Remove plug from outlet immediately if the cord is damaged or cut.
	Do not push down stairs.		Keep hands and feet away from the rotating parts.
	Double Insulation.		

Know Your Electric Scarifier + Dethatcher

Read the owner's manual and safety instructions carefully before operating the scarifier + dethatcher. Compare the illustration below to the dethatcher in order to familiarize yourself with the location of the various controls and adjustments. Save this manual for future reference and reread it prior to each dethatching session.



- | | | |
|-----------------------------------|--|---------------------------|
| 1. Upper handle frame | 8. Bearing seat | 15. Thatch collection bag |
| 2. Upper handle knobs + bolts (2) | 9. Scarifying cylinder | 16. Cable clips (2) |
| 3. Middle handle bars (2) | 10. Dethatcher cylinder | 17. Appliance cord |
| 4. Lower handle knobs + bolts (2) | 11. Hex key wrench | 18. Switch box |
| 5. Lower handle bars (2) | 12. Front wheel (2) | 19. Safety lock button |
| 6. Ejector flap | 13. Rear wheel (2) | 20. Switch lever |
| 7. Locking bolts (2) | 14. Scarifying/raking depth adjustment lever | |

Technical Data

Rated Voltage	120 V ~ 60 Hz
Motor	12 amp
No Load Speed	3000 rpm
Raking Width Max	12.6 inch (32 cm)
Scarifying Depth [†]	-0.4 inch – 0 inch (-10 mm – 0 mm)
Raking Depth [†]	0 inch – 0.2 inch (0 mm – 5 mm)
Depth Adjustment	4-position
Thatch Bag Capacity	8 gal (30 L)
Dethatcher Cylinder	21 spring steel raking tines 1.5 mm thick + 1.2 inch (30 mm) long
Scarifier Cylinder	22 slicing blades 5.1 inch (130 mm) long
Wheel Size	8 in. (20 cm) front 4 in. (10 cm) rear
Net Weight	21 lbs (9.6 kg)

[†] The negative scarifying/raking depth indicates that the tines/blades are raking below the horizon (i.e. penetrating the soil layer).

Unpacking

Carton Contents

- Scarifier + dethatcher
- Handle knobs and bolts (4)
- Phillips screws (2)
- Upper handle frame
- Middle handle bars (2)
- Lower handle bars (2)
- Thatch collection bag
- Switch box
- Cable clips (2)
- Hex key wrench
- Scarifying cylinder (Pre-assembled)
- Dethatcher cylinder
- Manual and registration card

1. Carefully remove the electric scarifier + dethatcher and check to see that all of the above items are supplied.
2. Inspect the product carefully to make sure no breakage or damage occurred during shipping. If you find damaged or missing parts, DO NOT return the unit to the store. Please call the Snow Joe® + Sun Joe® customer service center at 1-866-SNOWJOE (1-866-766-9563).

NOTE: Do not discard the shipping carton and packaging material until you are ready to use the electric scarifier + dethatcher. The packaging is made of recyclable materials. Properly dispose of these materials in accordance with local regulations or save the packaging for long-term product storage.

IMPORTANT! The equipment and packaging material are not toys. Do not let children play with plastic bags, foils, or small parts. These items can be swallowed and pose a suffocation risk!

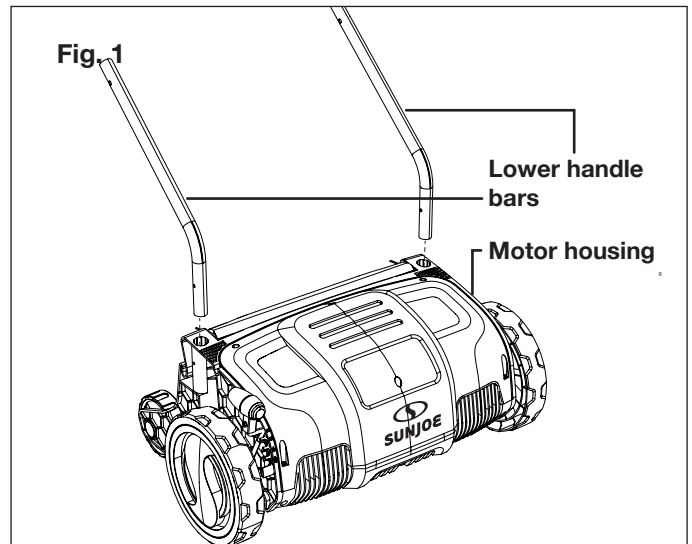
Assembly

⚠ WARNING! Do not connect the scarifier + dethatcher to the power supply until assembly is complete. Failure to comply could result in accidental starting and severe personal injury.

Always wear gloves during assembly.

Connecting the Handle Bars

1. Insert the lower handle bars into the motor housing and secure it with the two Phillips screws (Figs. 1 & 2).



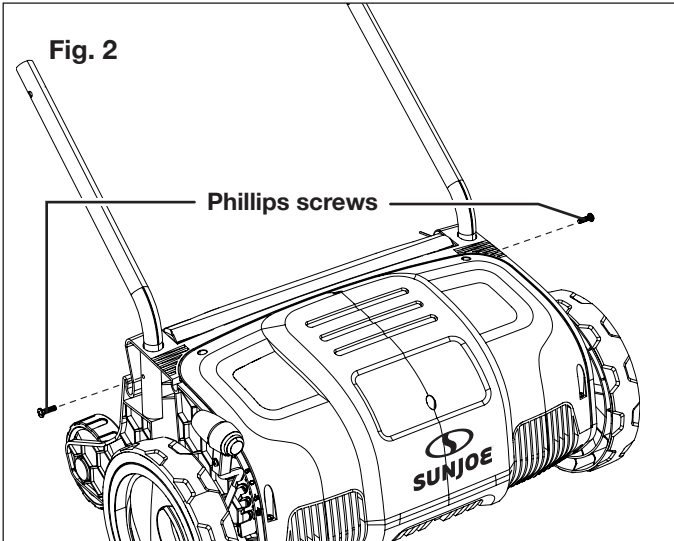


Fig. 2

Phillips screws

2. Secure the two middle handle bars to the lower handle bars using the first set of knobs and bolts. Tighten the knobs on each side to ensure a secure fit (Fig. 3).

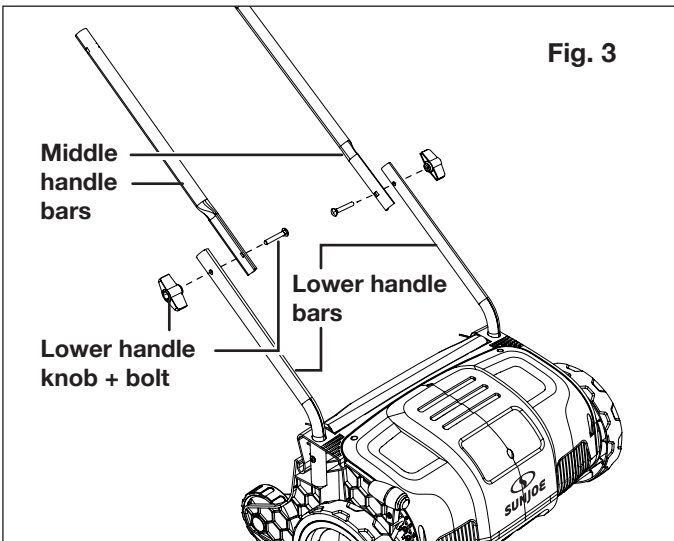


Fig. 3

Middle handle bars

Lower handle bars

Lower handle knob + bolt

3. Slide the switch box on the left side of the upper handle frame until it clicks and locks in position (Fig. 4).

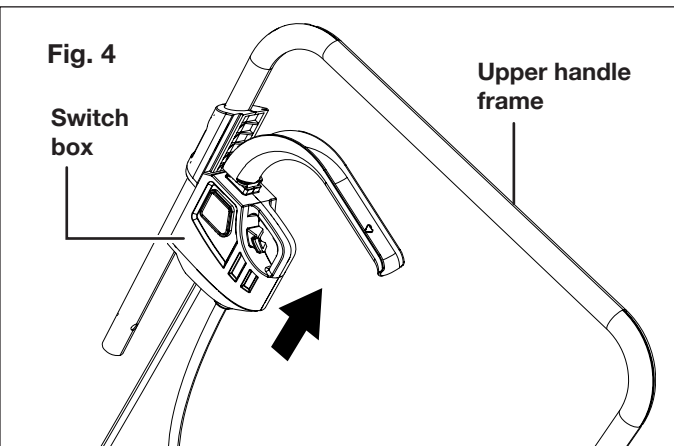


Fig. 4

Switch box

Upper handle frame

4. Connect the upper handle frame to the middle handle bars using the second set of knobs and bolts. Tighten the knobs on each side to ensure a secure fit (Fig. 5).

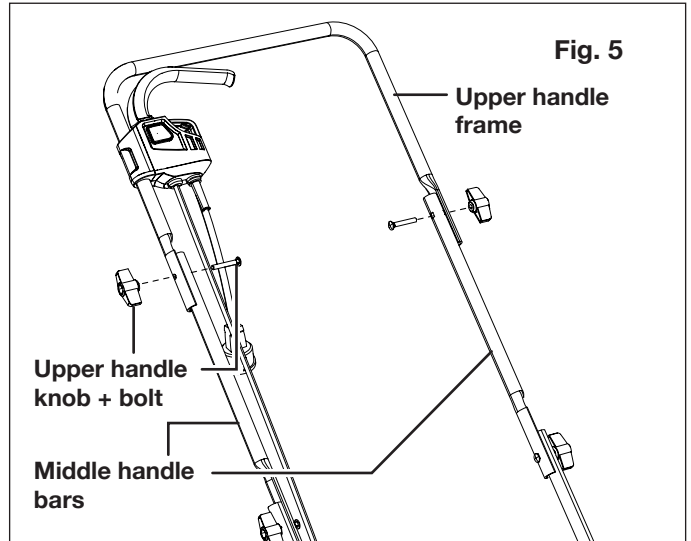


Fig. 5

Upper handle frame

Upper handle knob + bolt

Middle handle bars

5. Fix the cord with cord clips to the middle and lower handle bars (Fig. 6).

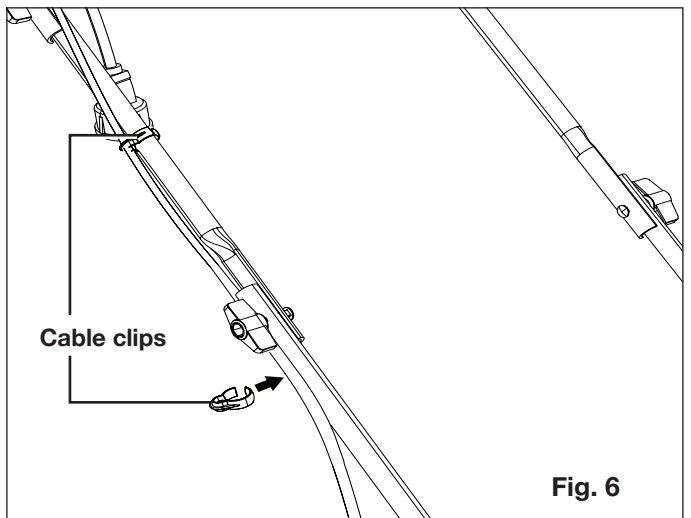


Fig. 6

Cable clips

Thatch Collection Bag Assembly

⚠️ WARNING! Do not attempt to use the product without the thatch collection bag attached. This could pose a danger of flying debris.

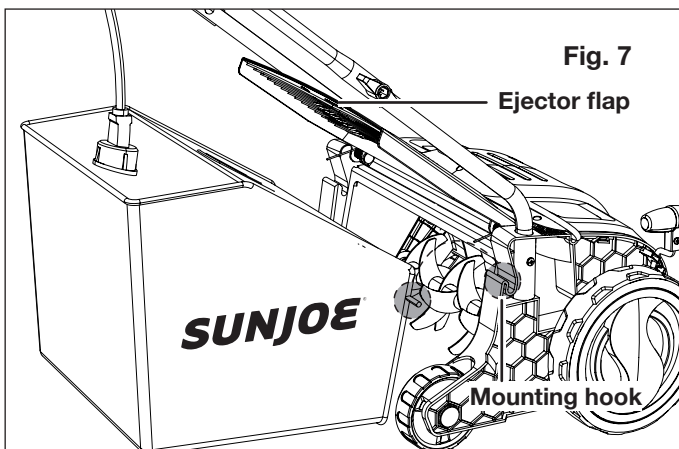
⚠️ WARNING! The product must be switched off and the cutting device must have stopped rotating before you attach or empty the thatch collection bag.

⚠️ WARNING! Never use the scarifier without the thatch collection bag securely fitted.

NOTE: A full thatch collection bag will reduce the performance of this product.

Attach the thatch collection bag to the lawn scarifier + dethatcher before operation.

1. Lift the ejector flap, and hang the thatch collection bag to the mounting hooks (Fig. 7).



Removing + Emptying the Thatch Collection Bag

Empty the thatch collection bag frequently during use. Do not wait until it is completely full. We recommend emptying it when it is half full.

1. Lift the ejector flap and pull the thatch collection bag off the mounting hooks to remove it.
2. Empty the bag's contents into a suitable waste receptacle. Mount the bag back into position before resuming work.

Intended Use

1. This scarifier + dethatcher is designated with a 12 amp motor. Depending on the fitted cutting device, this machine is either intended for scarifying and removing thatch from lawns or raking in domestic and hobby gardens.
2. When used as a scarifier, this machine works by scratching through and between the grass with specially adapted prongs that collect and remove any unwanted parts from the lawn while leaving the grass blades intact. At the same time the machine scarifies the ground resulting in a better aeration.
3. When used as a dethatcher the fine needles will scratch the surface of the lawn while simultaneously picking up light debris for better oxygen absorption, airing and drainage.
4. This machine is not to be used in wet weather conditions and may not be used to mow dry, wet or unusually high grass, e.g., pasture grass or for shredding leaves.
5. This machine is intended for private domestic use only, not for any commercial trade use. It must not be used for any purposes other than those described.

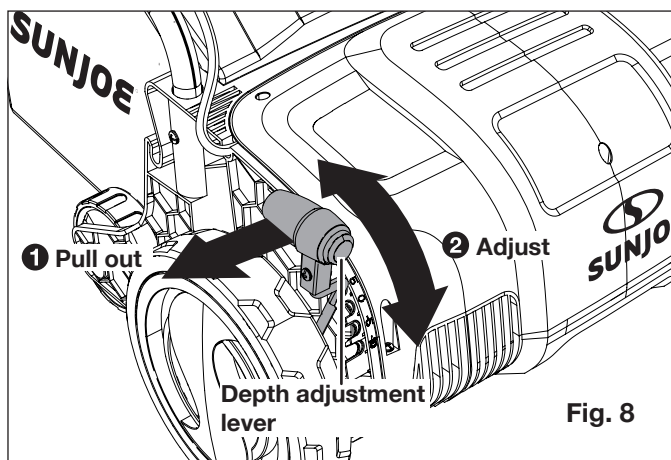
Operation

Cutting Depth Adjustment

⚠ WARNING! The unit must be switched off and disconnected from the power supply before adjusting the tine settings.

Adjust the depth according to the needs of your lawn. The most suitable depth depends on the kind of lawn and the actual height of the grass.

1. Pull the depth adjustment lever away from the wheel, then move it forward or backward to adjust the cutting depth (Fig. 8).

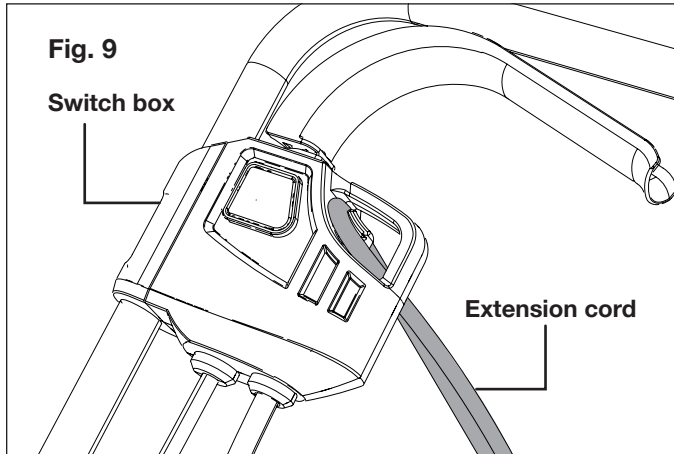


2. Adjust the lever to one out of the four stages. Read the adjusted depth from the scale.

Setting	Depth	Application
Minimal	5 mm	For raking healthy lawn. Do not use for scarifying.
Middle	0 mm	For transport, storage, scarifying and raking.
Deep	-5 mm	For scarifying, not recommended for raking.
Deep	-10 mm	For scarifying, do not use for raking.

Power Connection

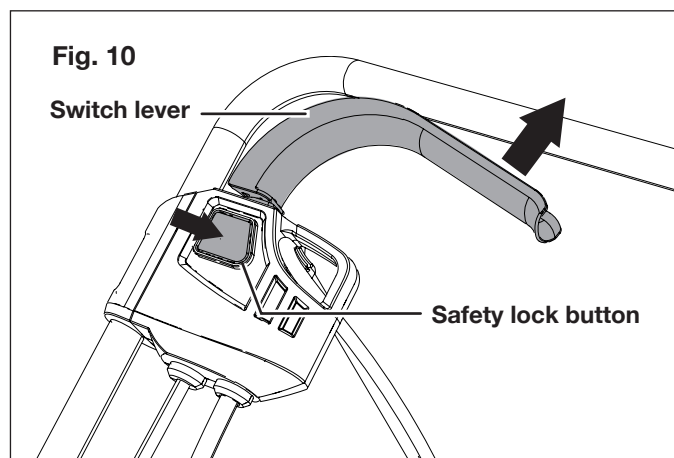
Push a loop of the extension cord through the slot on the switch box from the opposite side of the switch box (Fig. 9). Insert the appliance cord into a proper outdoor extension cord (see Extension Cord Chart on page 2).



Starting + Stopping

⚠️ WARNING! Before switching on the lawn scarifier + dethatcher, make sure that it is not in contact with any foreign objects. Keep your feet and hands a safe distance away from the rotating tines and the ejector opening. Failure to comply with these warnings can result in severe personal injury.

1. To start, press and hold the safety lock button while pulling the switch lever toward you. Once the machine powers on, release the safety lock button and proceed with operation (Fig. 10).



2. To stop the lawn scarifier + dethatcher, release the switch lever.

⚠️ WARNING! The tine cylinder continues to run for a brief period after the unit has been switched off. Do not tilt or carry the unit while the motor is still running and do not touch the cylinder while it is still rotating. Failure to comply could result in severe personal injury.

Overload Protection

The overload protection will be activated in the following circumstances:

1. A build up of scarified material around the cutting device.
2. If the material scarified is larger than the motor capacity.
3. Where there is too much resistance against the cutting device.

When the circuit breaker has been activated switch off the product and disconnect from the power supply.

Let the product cool down and eliminate the cause before using the product again.

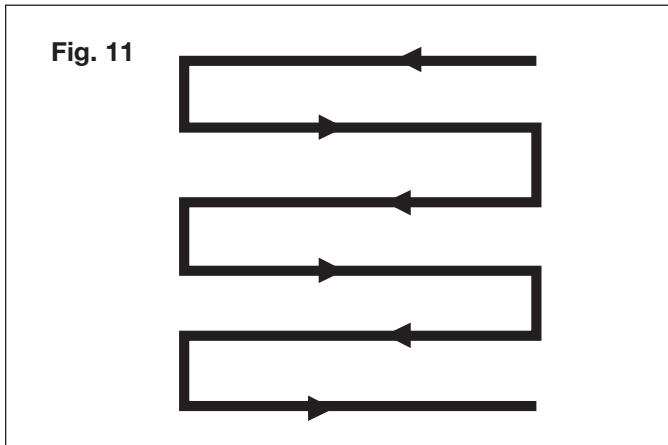
General Operation

⚠️ WARNING! If the product strikes a foreign object stop the motor. Switch the product off, disconnect it from the power supply and let it cool down. Inspect the product thoroughly for damage. Have any damage repaired before restarting.

⚠️ WARNING! Extensive vibration of the product during operation is an indication of damage. The product should be promptly inspected and repaired.

- Check the machine, its power cord and plug as well as accessories for damage before each use. Do not use the machine if it is damaged or shows wear.
- Double check that accessories are properly fixed.
- Push the machine forward by its handle. Keep the handle dry to ensure safe support.
- Ensure that the air vents are always unobstructed and clear. Clean them if necessary with a soft brush. Blocked air vents may lead to overheating and damage the product.
- Switch the machine off immediately if you are disturbed while working by other people entering the working area. Always let the machine come to complete stop before putting it down.
- Do not overwork yourself. Take regular breaks to ensure you can concentrate on the work and have full control over the machine.
- Mow the lawn before working and fertilize afterwards.
- Make sure that the lawn is clear of stones, sticks, wire, or other objects that could damage the machine or its motor.
- Select the suitable cutting depth for the actual grass height.
- Do not work with this machine on a wet lawn because it tends to stick to the underbody of the machine, preventing the proper discharge of collected material, and it could also cause you to slip and fall.
- Slowly push the machine forward. Move the machine at appropriate speed. Do not move it too fast to prevent the discharge from getting blocked and engine from useless overloading.

- Work in slight overlapping rows. The most effective pattern for scarifying/raking lawns is straight lines along one of the sides. This will keep the rows even and ensures that all the lawn is scarified/raked without missing any spots (Fig. 11).



- Circle around flower beds. When reaching a flower bed in the middle of the lawn, make a row or two around the circumference of the bed.
- Pay special attention when changing direction.

Scarifying

Consider the weather when scarifying. Scarify the lawn with an increased depth setting during spring time between April and May as the lawn is better able to recover during this season. During a wet summer scarify again in late summer with a decreased depth setting. Do not scarify during periods of hot weather condition. During a dry rainless summer do not scarify a second time in autumn.

Raking

In order for a healthy lawn to develop in the spring, it is necessary for greater amounts of air to penetrate the area around the roots of the grass. We recommend aerating the lawn every 4 – 6 weeks depending on the state of your lawn.

Maintenance

⚠️ WARNING! Before carrying out any repairs or servicing work, you must ensure that the machine has been disconnected from the power supply. Repairs and maintenance work other than described within this instruction manual may be performed only by qualified specialist!

Service + Storage

To ensure long and reliable service, carry out the following maintenance regularly. Servicing and cleaning work on the machine and the removal of the guards may only be carried out after the motor has been switched off and the plug disconnected from the power supply.

- Keep all nuts, bolts and screws tight to be sure the product is in a safe working condition.
- Allow the product to cool before storing in any enclosure.
- Check the thatch collection bag frequently for wear or deterioration.
- Examine the product regularly and replace worn or damaged parts for safety.
- Check that covers and guards are undamaged and correctly fitted. Carry out necessary maintenance or repairs before using the machine.
- If the cutting device should happen to fail despite the care taken in manufacturing and testing, repair should be carried out by an authorized repair facility.
- Do not clean the machine while it is running.
- Ensure that all the fastening elements (screws, nuts, etc.) are tight at all times so that you can safely work with the machine.
- Check the machine frequently for signs of wear. Replace worn or damaged parts.
- Store your machine in a dry place. To ensure a long service life all screws and bolts should be cleaned and then oiled.
- Clean the machine with a brush or cloth. Do not use any solvents or water to remove dirt.
- The component that is subject to most wear is the cutting device. You should therefore check the condition of the cutting device and its mounting at regular intervals.
 - If the cutting device is worn or blunt it must be replaced immediately.
 - If the machine starts to suffer from excessive vibrations, this means that the cutting device has not been balanced correctly or has suffered deformation due to impacts. In this case it must be repaired or replaced.

Replacing/Changing Cutting Device

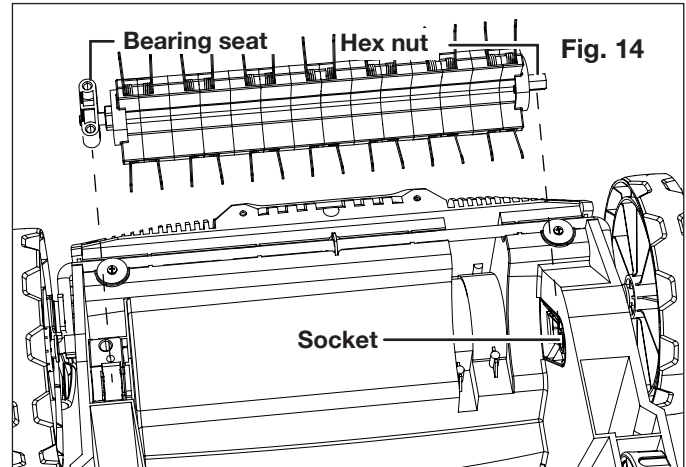
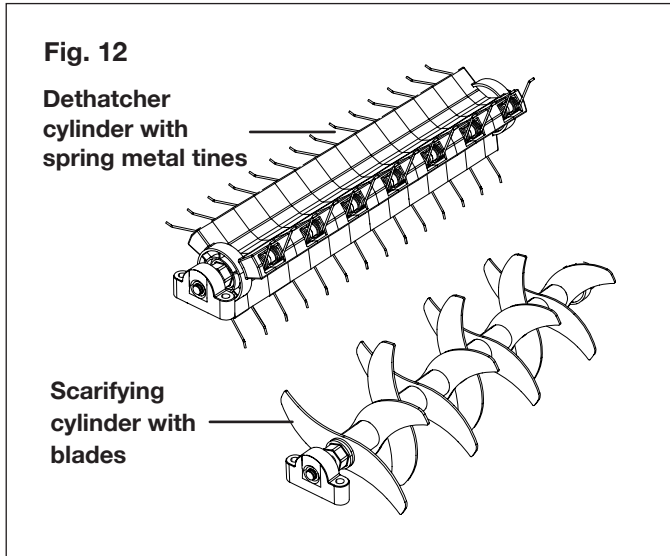
⚠️ WARNING! Always switch the machine off, disconnect it from power supply and let it cool down before changing/replacing the cutting device.

⚠️ WARNING! Cutting devices are very sharp and become hot during use. Handle them carefully.

⚠️ WARNING! Wear safety gloves when handling cutting devices in order to avoid injuries like burns and cuts.

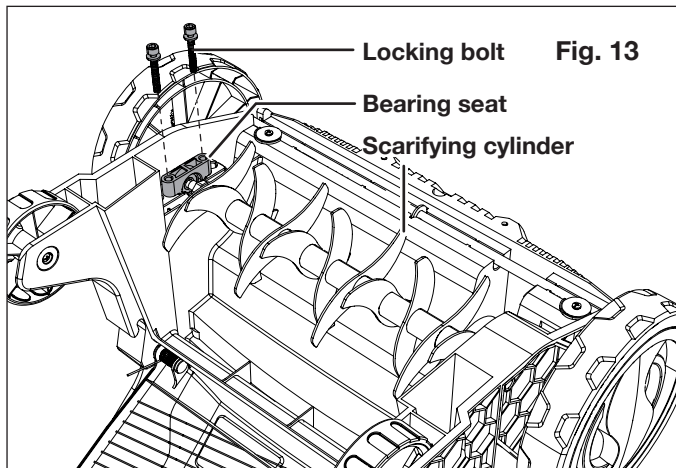
⚠️ WARNING! Make sure all bolts are completely tightened before operating the machine. Don't operate the machine if any bolts are missing, loose, or damaged.

The product has two functions, scarifying or raking. The scarifying cylinder is preassembled on the machine. The dethatcher cylinder is included in the supply box. The cylinder can be changed according to the application (Fig. 12).



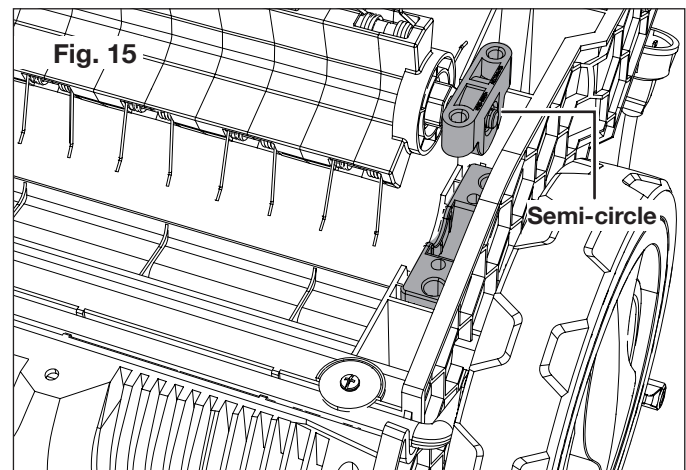
⚠ WARNING! Before performing any maintenance, always disconnect the power supply to the unit and wait until the tine cylinder comes to a complete stop. Wear protective gloves when handling the tines.

1. Remove the thatch collection bag.
2. Place the machine upside down on a flat stable surface to access the underbody.
3. Loosen the two locking bolts with the provided hex key wrench, remove them together with the attached cutting device (Fig. 13).



4. To remove the cutting device, first lift the bearing seat and then pull it out from the drive shaft.
5. Align and insert the respective cutting device: Slide the hex nut into the socket of the drive shaft and fix the bearing seat to the support with the locking bolts (Fig. 14).

⚠ WARNING! Make sure the cutting device (dethatcher cylinder) is inserted properly. Make sure the semi-circle on the bearing seat of the cylinder goes downward into the unit. If the semi-circle is face up, it has been inserted incorrectly (Fig. 15).



NOTE: If you have any questions, please call the Snow Joe® + Sun Joe® customer service center at 1-866-766-9563 (1-866-SNOWJOE) for assistance.

After Use

1. Switch the machine off, disconnect it from the power supply and let it cool down.
2. Check, clean and store the machine as described below.

Cleaning and Storage

1. Clean the exterior of the machine thoroughly using a soft brush and cloth before storing. Do not use water, solvents, or polishes.
2. Turn the scarifier + dethatcher on its side to clean the cylinder area.

Troubleshooting

⚠ WARNING! Only perform the steps described within these instructions!

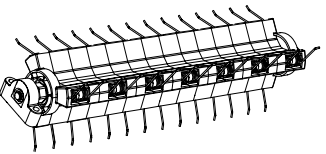
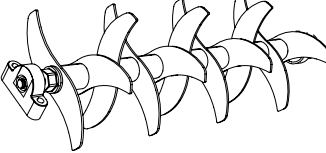
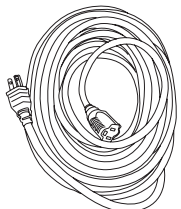
All further inspection, maintenance and repair work must be performed by an authorized service center or a similarly qualified specialist if you cannot solve the problem yourself!

Suspected malfunctions, disturbances or damages are often due to causes that the user can fix themselves. Follow the below troubleshooting guidelines when checking the unit. In most cases, the problem can be resolved quickly and the dethatcher can be restored to proper working order.

Problem	Possible Cause	Solution
Motor does not start	<ul style="list-style-type: none"> a) Not connected to power supply b) Power cord or plug is defective c) Other electrical defect to the product d) Safety lock button not pressed e) The machine is overheated. 	<ul style="list-style-type: none"> a) Connect to power supply. b) Contact an authorized service agent. c) Contact an authorized service agent. d) Press Safety lock button first, then the switch lever. e) Clean the grass clippings around the cylinder. Wait a while for the machine to cool down, then restart again.
Product does not reach full power	<ul style="list-style-type: none"> a) Extension cord not suitable for operation with this product b) Air vents are blocked 	<ul style="list-style-type: none"> a) Use a proper extension cord b) Clean the air vents
Unsatisfying result	<ul style="list-style-type: none"> a) Cutting device worn b) Scarified material exceeds capacity c) Scarifying depth is incorrect 	<ul style="list-style-type: none"> a) Replace the tine cylinder (see page 11) b) Only scarify materials according to capacity of the product c) Adjust depth

Optional Accessories

⚠️ WARNING! ALWAYS use only authorized Snow Joe® + Sun Joe® replacement parts and accessories. NEVER use replacement parts or accessories that are not intended for use with this electric scarifier + dethatcher. Contact Snow Joe® + Sun Joe® if you are unsure whether it is safe to use a particular replacement part or accessory with your electric scarifier + dethatcher. The use of any other attachment or accessory can be dangerous and could cause injury or mechanical damage.

Accessories	Item	Model
 <p>①</p>	Replacement Dethatcher Tines	AJ798E-DTNS
 <p>②</p>	Replacement Scarifier Blade	AJ798E-SCRF
 <p>③</p>	Snow Joe® + Sun Joe® SJTW-A 14-gauge 50-foot extension cord with lighted end	PJEXT50-B

NOTE: Accessories are subject to change without any obligation on the part of Snow Joe® + Sun Joe® to provide notice of such changes. Accessories can be ordered online at sunjoe.com or via phone by contacting the Snow Joe® + Sun Joe® customer service center at 1-866-SNOWJOE (1-866-766-9563).



SNOW JOE® + SUN JOE® CUSTOMER PROMISE

ABOVE ALL ELSE, Snow Joe, LLC (“Snow Joe”) is dedicated to you, our customer. We strive to make your experience as pleasant as possible. Unfortunately, there are times when a Snow Joe®, Sun Joe®, or Aqua Joe® product (“Product”) does not work or breaks under normal operating conditions. We think it’s important that you know what you can expect from us. That’s why we have a Limited Warranty (“Warranty”) for our Products.

OUR WARRANTY:

Snow Joe warrants new, genuine, powered and non-powered Products to be free from defects in material or workmanship when used for ordinary household use for a period of two years from the date of purchase by the original, end-user purchaser when purchased from Snow Joe or from one of Snow Joe’s authorized sellers with proof of purchase. Because Snow Joe is unable to control the quality of its Products sold by unauthorized sellers, unless otherwise prohibited by law, this Warranty does not cover Products purchased from unauthorized sellers. If your Product does not work or there’s an issue with a specific part that is covered by the terms of this Warranty, Snow Joe will elect to either (1) send you a free replacement part, (2) replace the Product with a new or comparable product at no charge, or (3) repair the Product. How cool is that!

This Warranty gives you specific legal rights, and you may also have other rights which vary from State to State.

PRODUCT REGISTRATION:

Snow Joe strongly encourages you to register your Product. You can register online at snowjoe.com/register, or by printing and mailing in a registration card available online from our website, or calling our Customer Service Department at **1-866-SNOWJOE (1-866-766-9563)**, or by e-mailing us at help@snowjoe.com. Failure to register your Product will not diminish your warranty rights. However, registering your Product will allow Snow Joe to better serve you with any of your customer service needs.

WHO CAN SEEK LIMITED WARRANTY COVERAGE:

This Warranty is extended by Snow Joe to the original purchaser and original owner of the Product.

WHAT IS NOT COVERED?

This Warranty does not apply if the Product has been used commercially or for non-household or rental applications. This Warranty also does not apply if the Product was purchased from an unauthorized seller. This Warranty also does not cover cosmetic changes that do not affect performance. Wearing parts like belts, augers, chains and tines are not covered under this Warranty, and can be purchased at snowjoe.com or by calling **1-866-SNOWJOE (1-866-766-9563)**.





ESCARIFICADORA + AIREADORA ELÉCTRICA 12.6 PLG Y 12 A

SP

MANUAL DEL OPERADOR

Una división de Snow Joe®, LLC

Modelo AJ798E

Formulario N.º SJ-AJ798E-880S-M

¡IMPORTANTE!

Instrucciones de seguridad

Todos los operadores deberán leer estas instrucciones antes del uso

Siga siempre estas normas de seguridad. No hacerlo podría resultar en lesiones corporales severas o incluso la muerte.

¡ADVERTENCIAS generales de seguridad!

Usted debe tomar precauciones básicas de seguridad siempre que use esta escarificadora + aireadora eléctrica para reducir el riesgo de incendio, choque eléctrico y daños personales.

Antes de usar la escarificadora + aireadora eléctrica, tómese el tiempo para familiarizarse con sus controles, sobre todo con la forma de detener la máquina en caso de emergencia. Las únicas personas que deben usar la escarificadora + aireadora eléctrica son aquellas que tengan un entendimiento completo de sus instrucciones y sepan cómo operarla. Los niños nunca deben tener acceso a la escarificadora + aireadora eléctrica.

Conserve este manual para futuras referencias y vuélvalo a leer al inicio de cada sesión de aireado o escarificado.

Seguridad general


- 1. Mantenga el área de trabajo limpia y bien iluminada:** las áreas de trabajo abarrotadas y las áreas oscuras provocan accidentes.
- 2. Partes de repuesto:** al repararla, utilice solamente partes de reemplazo idénticas. Reemplace o repare los cables dañados inmediatamente.
- 3. Mantenga alejados a los transeúntes, niños y mascotas:** todos los espectadores, incluidas las mascotas, deberán estar a una distancia segura del área de trabajo.
- 4. Vístase adecuadamente:** no use vestimenta suelta o joyería, ya que dichos objetos pueden engancharse en las partes móviles. Utilice una cubierta protectora para contener cabellos largos. Se recomienda usar guantes de hule y calzado antideslizante protector al trabajar en exteriores.
- 5. Evite los encendidos accidentales:** no transporte la escarificadora + aireadora eléctrica con su dedo sobre

el interruptor. Asegúrese de que el interruptor esté en la posición de apagado antes de enchufar la unidad.

- 6. No fuerce la herramienta eléctrica:** tendrá un mejor funcionamiento con menos probabilidades de lesiones personales o fallas mecánicas si es usada a la velocidad para la cual fue diseñada.
- 7. Use equipos de protección personal:** al usar esta herramienta eléctrica, use gafas protectoras con cubiertas laterales o gafas de seguridad para proporcionar la protección ocular adecuada. Use protección auditiva para evitar daños a los oídos. Use una máscara antipolvo o para el rostro si el entorno de trabajo es polvoriento.
- 8. Desconecte la herramienta:** desconecte la escarificadora + aireadora eléctrica de la fuente de alimentación cuando no esté siendo usada, antes de ser reparada, al cambiarle accesorios y al realizar cualquier otra tarea de mantenimiento.
- 9. Guarde la herramienta inactiva en interiores:** cuando no esté en uso, la escarificadora + aireadora eléctrica debe almacenarse bajo techo, en un lugar seco, alto o bajo llave, lejos del alcance de los niños.
- 10. Cuide la escarificadora + aireadora eléctrica:** mantenga los bordes de corte afilados y limpios para el más óptimo y seguro funcionamiento.
Inspeccione el cable de alimentación de la escarificadora + aireadora eléctrica periódicamente. Si el cable está dañado, hágalo reparar en un centro de servicio autorizado. Los cables de extensión deben también ser inspeccionados de forma periódica y reemplazados inmediatamente si están dañados. Mantenga el mango y barras secos, limpios y libres de aceites y grasa.
- 11. Utilice la herramienta correcta:** no utilice la herramienta para ningún otro trabajo excepto para el cual esté destinada.
- 12. Evite entornos peligrosos:** no use la escarificadora + aireadora eléctrica bajo la lluvia o lugares húmedos o mojados.
- 13. Manténgase alerta:** vea lo que está haciendo. Utilice su sentido común. No opere la escarificadora + aireadora eléctrica si está cansado o bajo la influencia del alcohol, drogas u otros medicamentos.
- 14. No se sobreextienda:** mantenga con sus pies balance y posición adecuados durante todo el tiempo.
- 15. Verifique si hay partes dañadas:** antes de continuar utilizando la cultivadora, se deberá examinar cuidadosamente cualquier protector o componente dañado para determinar si funcionará correctamente o

no. Verifique el alineamiento de las partes móviles, las juntas de las partes móviles, roturas de las partes, montaje y cualquier otra condición que pueda afectar su funcionamiento. Los protectores o cualquier otra parte dañada deberán ser correctamente reparados o reemplazados. Comuníquese con el centro de servicio al cliente Snow Joe® + Sun Joe® llamando al 1-866-SNOWJOE (1-866-766-9563) para obtener ayuda.

Artefactos de doble aislamiento

En un artefacto de doble aislamiento se proporcionan dos sistemas de aislamiento en lugar de una conexión a tierra. Un artefacto de doble aislamiento ya posee una conexión a tierra. La reparación de un artefacto de doble aislamiento requiere sumo cuidado y conocimiento del sistema, y solo debe ser realizada por personal técnico calificado en un centro de servicio autorizado por Snow Joe® + Sun Joe®. Las partes de reemplazo de un artefacto de doble aislamiento deben ser idénticas a las partes originales. Un artefacto de doble aislamiento está marcado con las frases “Double Insulation” (“doblemente aislado”) o “Double Insulated” (“doble aislamiento”). El símbolo  (un cuadrado dentro de otro) puede también estar marcado en el artefacto.



DOBLE AISLAMIENTO: NO SE REQUIERE CONEXIÓN A TIERRA. AL REPARAR, USE SOLO PARTES DE REPUESTO IDÉNTICAS.

Esta escurificadora + aireadora eléctrica tiene doble aislamiento y elimina la necesidad de un sistema separado de conexión a tierra. Use solo partes de repuesto idénticas. Lea las instrucciones antes de reparar artefactos de doble aislamiento. Use esta escurificadora + aireadora eléctrica únicamente como se describe en este manual.

Seguridad eléctrica

1. Un interruptor de circuito de falla de conexión a tierra (GFCI) deberá proteger al(a los) circuito(s) o tomacorriente(s) a ser utilizado(s) para esta escurificadora + aireadora eléctrica. Hay receptáculos disponibles con protección incorporada GFCI y pueden ser utilizados para esta medida de seguridad.
2. Para evitar un choque eléctrico, use solo cables de extensión adecuados para uso en exteriores, tales como SW-A, SOW-A, STW-A, STOW-A, SJW-A, SJOW-A, SJTW-A o SJTOW-A.

Antes del uso, verifique que el cable de extensión esté en buenas condiciones. Al usar un cable de extensión, asegúrese de que sea lo suficientemente fuerte como para poder transportar toda la electricidad que su escurificadora + aireadora eléctrica consumirá. Un cable de extensión demasiado fino causará una caída de tensión de alimentación produciendo pérdida de potencia y recalentamiento.



ADVERTENCIA



Un choque eléctrico puede causar DAÑOS SEVEROS o MUERTE. Tenga en cuenta estas advertencias:

- No deje que ninguna parte de la escurificadora + aireadora eléctrica haga contacto con agua mientras esté funcionando. Si el artefacto se moja mientras está apagado, séquelo antes de encenderlo.
- Use solo un cable de extensión aprobado por UL, CSA o ETL y recomendado para uso en exteriores y todo tipo de clima, tal como el cable de extensión de 50 pies y calibre 14 SJTW-A de Snow Joe® + Sun Joe® con extremo iluminado (modelo PJEXT50-B). Visite sunjoe.com para comprar este cable de extensión, o pídalo llamando al 1-866-SNOWJOE (1-866-766-9563).
- No use un cable de extensión de más de 100 pies (30 m).
- No toque el artefacto o su enchufe con las manos húmedas, o mientras esté parado sobre agua. Usar botas de hule le dará algo de protección.

TABLA DE CABLES DE EXTENSIÓN

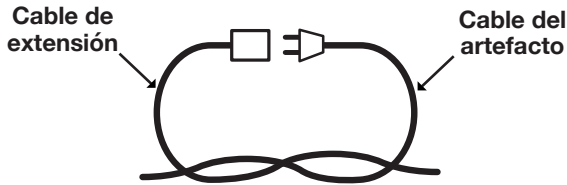
Longitud de cable de extensión	Hasta 50 pies (15 m)	+50 pies - 100 pies (+15 m - 30 m)
Calibre de alambre mínimo (AWG):	14	12

3. Para reducir el riesgo de un choque eléctrico, este artefacto posee un enchufe polarizado (es decir, una pata es más ancha que la otra). Use este artefacto solo con un cable de extensión polarizado aprobado por UL, CSA o ETL y recomendado para uso en exteriores. El enchufe del artefacto encajará en el receptáculo del cable de extensión polarizado de una sola manera.

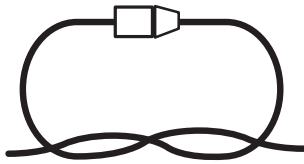
Si el enchufe del artefacto no entra por completo dentro del receptáculo del cable de extensión, invierta las clavijas del enchufe. Si el enchufe aún no encaja, obtenga un cable de extensión polarizado correcto. Un cable de extensión polarizado requerirá el uso de un tomacorriente polarizado. El enchufe del cable de extensión encajará en el tomacorriente polarizado de la pared de una sola manera. Si el enchufe no entra por completo dentro del tomacorriente de la pared, invierta las clavijas del enchufe. Si el enchufe aún no encaja, contacte a un electricista calificado para la instalación del tomacorriente de pared apropiado. No modifique el enchufe del artefacto, ni el receptáculo del cable de extensión ni el enchufe del cable de extensión en ninguna forma.

- Para evitar que el cable del artefacto se desconecte del cable de extensión durante la operación, haga un nudo con los dos cables tal como se muestra en el gráfico 1.

Gráfico 1. Método para asegurar el cable de extensión



(A) Ate el cable como se indica



(B) Conecte el enchufe y el receptáculo

- No maltrate el cable. Nunca jale la escarificadora + aireadora por su cable ni tire de este para desconectarla del tomacorriente. Mantenga el cable alejado del calor, grasas y bordes afilados, especialmente las púas giratorias. Coloque el cable de manera que no quede atrapado entre leños, herramientas u otras obstrucciones mientras trabaje con la escarificadora + aireadora. No seguir estas advertencias podría causar lesiones personales severas.

¡IMPORTANTE!

Instrucciones de seguridad para escarificadoras + aireadoras eléctricas de rodadura

Operación general

- Lea, entienda y siga todas las instrucciones en la máquina y en el(los) manual(es) antes de empezar con la operación.
- Inspeccione cuidadosamente el área donde el equipo será utilizado y retire todos los objetos extraños.

⚠ ¡ADVERTENCIA! Objetos extraños en el área de trabajo pueden ser recogidos por la escarificadora + aireadora eléctrica y lanzados a sus ojos, resultando en lesiones personales severas. Además de inspeccionar el área y retirar objetos extraños antes de empezar a trabajar, use siempre gafas de seguridad o gafas protectoras con cubiertas laterales y, de ser necesario, un protector facial completo.

- Use la escarificadora + aireadora eléctrica solo durante el día o bajo una buena luz artificial.
- No opere el equipo sin emplear vestimenta protectora adecuada. Utilice calzado protector que mejorará su posición de pie en superficies resbaladizas.

- Utilice cables de extensión y receptáculos según lo especificado por el fabricante para todas las unidades con motores de dirección eléctrica o motores de arranque eléctrico (vea la tabla de cables de extensión en la página 20).
- Nunca intente realizar ningún ajuste mientras el motor esté funcionando.
- Nunca opere la escarificadora + aireadora eléctrica sobre césped mojado. Siempre esté atento a dónde esté pisando. Camine, nunca corra con la máquina.
- No ponga sus manos o pies cerca o debajo de las partes giratorias.
- Tenga mucho cuidado al operar sobre o cruzando senderos de grava, aceras o caminos. Manténgase alerta ante peligros ocultos o tráfico.
- Tenga cuidado y evite resbalarse o caerse.
- Detenga el motor y desconecte la fuente de alimentación antes de dejar su posición de operación, antes de desatascar las púas, y al reparar, ajustar, inspeccionar o llevar a cabo cualquier otra tarea de mantenimiento en la máquina.
- Tome todas las precauciones necesarias cuando vaya a dejar la máquina sin atender. Detenga el motor y desenchufe el cable de alimentación.
- Antes de limpiar, reparar o inspeccionar la unidad, apague el motor, desconecte la máquina de la fuente de alimentación y asegúrese de que todas las partes móviles se hayan detenido por completo.
- Nunca opere la máquina sin protectores, placas u otros dispositivos de seguridad adecuados en su lugar y funcionando correctamente.
- Mantenga alejados a los niños y mascotas.
- No sobrecargue la capacidad de la máquina intentando airear demasiado profundo a una velocidad demasiado rápida.
- Nunca opere la máquina a altas velocidades de arrastre en superficies duras o resbaladizas.
- Nunca deje que transeúntes estén cerca de la unidad durante la operación.
- Use solo accesorios aprobados por el fabricante de la máquina.
- Nunca opere la máquina sin buena visibilidad o luz.
- Tenga cuidado al cultivar en terrenos duros. Las cuchillas o púas pueden engancharse en el suelo e impulsar la máquina hacia adelante. Si esto ocurre, suelte el mango y la palanca interruptora, y no retenga la máquina.
- Tenga mucho cuidado al hacer retroceder o jalar la máquina hacia usted.
- Detenga las cuchillas o púas si la máquina debe ser inclinada para su transporte. No opere las cuchillas o púas al cruzar superficies que no sean césped, ni al transportar el producto desde y hacia el área de trabajo.

- No incline la máquina al encender el motor, excepto si tiene que ser inclinada para ser encendida. En este caso, no incline más de lo absolutamente necesario y solo levante la parte de la máquina más alejada del operador.
- No encienda el motor estando de pie en frente de la abertura de descarga.
- Encienda el motor cuidadosamente, de acuerdo a las instrucciones, y mantenga sus pies alejados de las cuchillas o pásas giratorias.
- Nunca levante o lleve la máquina mientras el motor esté funcionando.
- Detenga el motor y desenchufe la máquina de la fuente de alimentación:
 - Antes de retirar obstrucciones o desatascar el conducto de descarga;
 - Antes de inspeccionar, limpiar o trabajar en la máquina;
 - Luego de golpear un objeto extraño. Inspeccione la máquina en busca de daños y haga las reparaciones antes de volver a encender y operar la máquina;
 - Si la máquina empieza a vibrar de forma anormal (inspeccione inmediatamente); y
 - Cuando abandone la máquina.
- Nunca use la escarificadora + aireadora eléctrica sin la bolsa recolectora de paja instalada de forma segura.
- **¡ADVERTENCIA!** Tenga cuidado con las cuchillas o pásas afiladas. Las pásas continúan girando luego de que el motor sea apagado.
- Mantenga a los niños lejos del área de aireado o escarificado, y bajo la estricta vigilancia de un adulto responsable que no sea el operador.
- Esté siempre atento y apague la escarificadora + aireadora eléctrica si un niño entra en el área.
- Nunca deje que los niños operen esta máquina.
- Tenga especial cuidado al acercarse a esquinas ciegas, arbustos, árboles u otros objetos que puedan obstaculizar la visualización de un niño.

Reducción de vibraciones y ruido

Para reducir el impacto negativo de la emisión de ruido y vibraciones: limite el tiempo de operación, use los modos de operación de bajas vibraciones y ruido, y también emplee equipos de protección personal. Obedezca las siguientes indicaciones para reducir los riesgos a la exposición ante vibraciones y ruido:

- Solo use la máquina para los trabajos especificados por el diseño y estas instrucciones.
- Asegúrese de que la máquina esté en buenas condiciones y bien mantenida.
- Use los accesorios correctos para la máquina y asegúrese de que estén en buenas condiciones.
- Mantenga una sujeción firme en el mango.
- Cuide esta máquina de acuerdo con estas instrucciones y, de ser apropiado, manténgala bien lubricada.
- Planee su horario de trabajo para distribuir correctamente el uso de cualquier herramienta de altas vibraciones durante varios días.

Operación en pendientes

Las pendientes son factores importantes relacionados a los accidentes de resbalones y caídas, los cuales pueden resultar en graves lesiones. La operación en todas las pendientes requiere mucho cuidado. Si usted no se siente seguro en una pendiente, no la airee ni escarifique.

- Airee o escarifique de forma lateral en la pendiente. Nunca airee o escarifique pendientes siguiendo una ruta transversal de arriba a abajo. Tenga mucho cuidado al cambiar de dirección en una pendiente.
- Esté atento a los hoyos, surcos, baches, rocas u otros objetos ocultos. Éstos pueden causar un resbalón o caída inesperados.
- No airee o escarifique césped mojado o en pendientes demasiado inclinadas. Una mala postura puede causar un accidente de resbalo y caída.
- No airee o escarifique cerca de laderas, zanjas o terraplenes. Usted puede perder su postura o equilibrio.

Seguridad para los niños

Pueden ocurrir accidentes trágicos si el operador no está alerta de la presencia de niños. Los niños son generalmente atraídos a la máquina y a la actividad de aireado o escarificado. Nunca asuma que los niños permanecerán en donde usted los vio por última vez.

Riesgos residuales

Aún si usted está operando este producto de acuerdo con todos los requisitos de seguridad, quedan riesgos potenciales de lesiones y daños. Los siguientes peligros pueden surgir en conexión con la estructura y diseño de este producto:

- Defectos de salud resultantes de la emisión de vibraciones si el producto está siendo usado durante periodos prolongados de tiempo o no está siendo manipulado y mantenido adecuadamente.
- Lesiones y daños a la propiedad debido a accesorios defectuosos o impactos súbitos de objetos ocultos durante el uso.
- Peligro de lesiones y daños a la propiedad causado por objetos voladores.

⚠ ¡ADVERTENCIA! ¡Este producto genera un campo electromagnético durante la operación! ¡Este campo puede, bajo algunas circunstancias, interferir con implantes médicos activos o pasivos! ¡Para reducir el riesgo de lesiones severas o mortales, recomendamos que una persona que tenga algún implante médico hable con su médico y con el fabricante de su implante antes de operar este producto!

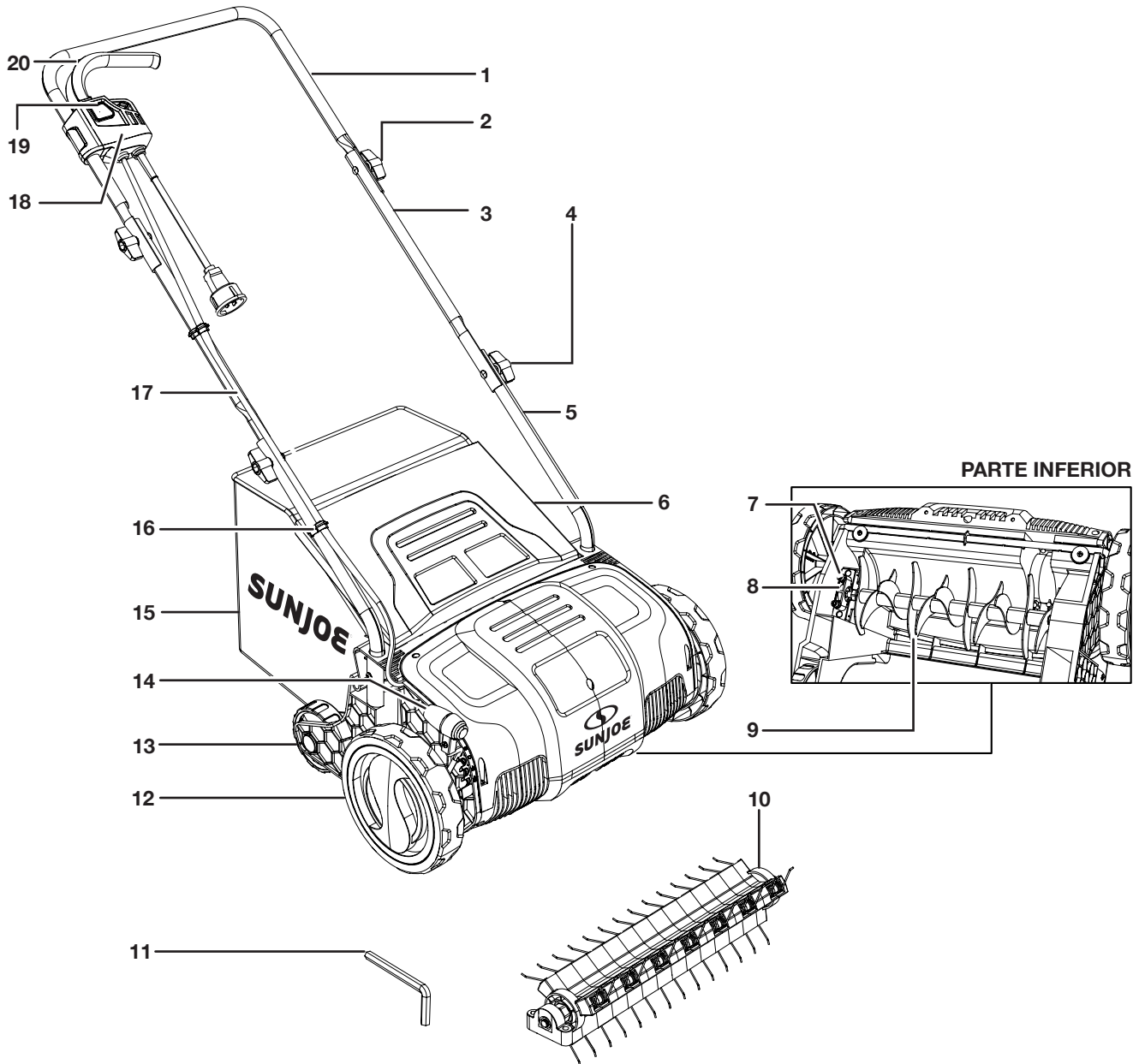
Símbolos de seguridad

La siguiente tabla muestra y describe los símbolos de seguridad que pueden aparecer en este producto. Lea, comprenda y siga todas las instrucciones de la máquina antes de intentar ensamblarla y operarla.

Símbolo	Descripción	Símbolo	Descripción
	LEA EL(LOS) MANUAL(ES) DEL OPERADOR: lea, comprenda y siga todas las instrucciones en el(los) manual(es) antes de intentar ensamblar y operar la unidad.		ALERTA DE SEGURIDAD: indica una precaución, advertencia o peligro.
	¡ADVERTENCIA! No exponga la unidad a la lluvia o a condiciones húmedas.		USE PROTECCIÓN OCULAR Y AUDITIVA: para protegerse contra lesiones, use protectores auditivos y gafas protectoras.
	Utilice guantes protectores y calzado no deslizante al usar la máquina y al manipular desechos.		¡PELIGRO! Cuchillas giratorias: mantenga los pies y manos alejados de las partes móviles.
	Mantenga a los transeúntes a una distancia segura del área de trabajo.		Los objetos recogidos y lanzados por las púas giratorias pueden causar lesiones personales severas.
	Inspeccione el área de trabajo antes de usar el artefacto, y retire todos los objetos que puedan ser lanzados por éste. Si un objeto oculto es descubierto durante el trabajo, detenga el motor y retire el objeto.		Tenga mucho CUIDADO al hacer retroceder o jalar la máquina hacia usted.
	¡APÁGUELA! Desconecte el enchufe del tomacorriente antes de limpiar o llevar a cabo rutinas de mantenimiento.		¡APÁGUELA! Retire el enchufe del tomacorriente inmediatamente si el cable está cortado o dañado.
	No la empuje escalera abajo.		Mantenga las manos y pies alejados de las partes giratorias.
	Doble aislamiento.		

Conozca su escarificadora + aireadora eléctrica

Lea detenidamente el manual del propietario y las instrucciones de seguridad antes de operar esta escarificadora + aireadora eléctrica. Compare la ilustración debajo con la escarificadora + aireadora eléctrica con el fin de familiarizarse con la ubicación de los diversos controles y ajustes. Guarde este manual para futuras referencias y vuélvalo a leer antes de cada sesión de escarificado o aireado.



- | | | |
|--|--|-----------------------------------|
| 1. Estructura de manillar superior | 8. Asiento de rodamiento | 15. Bolsa recolectora de paja |
| 2. Perillas y pernos de manillar superior (x2) | 9. Cilindro escarificador | 16. Ganchos para cable (x2) |
| 3. Manillares intermedios (x2) | 10. Cilindro aireador | 17. Cable del artefacto |
| 4. Perillas y pernos de mango inferior (x2) | 11. Llave hexagonal | 18. Caja de interruptor |
| 5. Manillares inferiores (x2) | 12. Rueda frontal (x2) | 19. Botón de trabado de seguridad |
| 6. Compuerta eyectora | 13. Rueda posterior (x2) | 20. Palanca interruptora |
| 7. Pernos de trabado (x2) | 14. Palanca de ajuste de profundidad de escarificado/rastrillado | |

Datos técnicos

Voltaje nominal	120 V CA, 60 Hz
Motor	12 A
Velocidad sin carga	3000 RPM
Ancho máximo de rastrillado.....	12.6 plg (32 cm)
Profundidad de escarificado [†]	de -0.4 plg a 0 plg (de -10 mm a 0 mm)
Profundidad de rastrillado [†]	de 0 plg a 0.2 plg (de 0 mm a 5 mm)
Ajuste de profundidad	4 posiciones
Capacidad de bolsa recolectora de paja	8 gal (30 L)
Cilindro aireador	21 cuchillas flexibles de acero para rastrillado 1.5 mm de grosor + 1.2 plg (30 mm) de largo
Cilindro escarificador.....	22 cuchillas cortadoras 5.1 plg (130 mm) de largo
Tamaño de ruedas.....	8 plg (20 cm) frontales 4 plg (10 cm) traseras
Peso neto	21 lb (9.6 kg)

[†]La profundidad de escarificado/rastrillado negativa indica que las cuchillas penetran por debajo del horizonte (es decir, penetran la capa de suelo).

Desembalaje

Contenido del paquete:

- Escarificadora + aireadora
 - Perillas y pernos (4)
 - Tornillos Phillips (2)
 - Estructura de mango superior
 - Manillares intermedios (x2)
 - Manillares inferiores (x2)
 - Bolsa recolectora de paja
 - Caja de interruptor
 - Ganchos para cable (x2)
 - Llave hexagonal
 - Cilindro escarificador (pre-ensamblado)
 - Cilindro aireador
 - Manuale y tarjeta de registro
1. Retire cuidadosamente la escarificadora + aireadora eléctrica y compruebe que todos los artículos anteriores estén incluidos.
 2. Inspeccione cuidadosamente el producto para asegurarse de que no haya ocurrido ningún daño o ruptura durante el transporte. Si alguna parte está dañada o extraviada, NO DEVUELVA la unidad a la tienda. Llame al centro de servicio al cliente Snow Joe® + Sun Joe® al 1-866-SNOWJOE (1-866-766-9563).

NOTA: no se deshaga de la caja de transporte ni del material de embalaje hasta que usted esté listo para usar su escarificadora + aireadora eléctrica. El empaquetado está hecho de materiales reciclables. Deshágase apropiadamente de estos materiales según los reglamentos locales, o guarde el empaquetado para un almacenamiento del producto a largo plazo.

¡IMPORTANTE! El equipo y los materiales de embalaje no son juguetes. No deje que los niños jueguen con bolsas plásticas, láminas o partes pequeñas. ¡Estos objetos pueden ser tragados y representan un riesgo de asfixia!

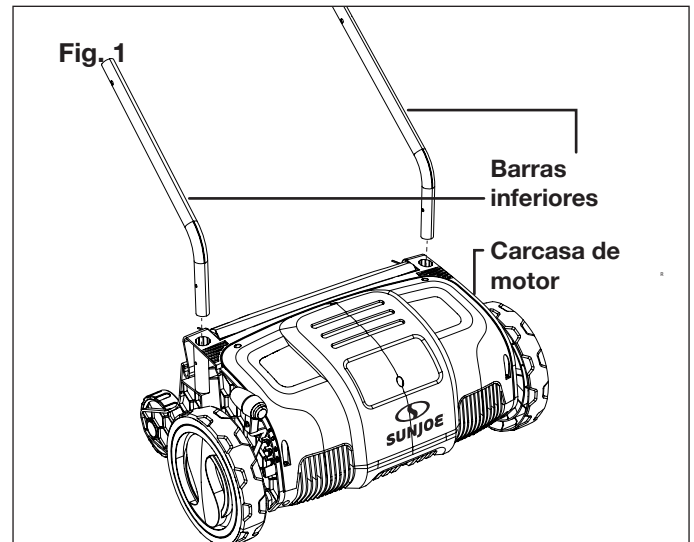
Ensamblado

⚠ ¡ADVERTENCIA! No conecte la escarificadora + aireadora eléctrica a la fuente de alimentación hasta que haya terminado de ensamblarla por completo. El incumplimiento de esta advertencia puede resultar en un encendido accidental y lesiones personales severas.

Use siempre guantes durante el ensamblado.

Conexión del mango y las barras

1. Inserte las barras inferiores dentro de la carcasa del motor y asegúrelas con los dos tornillos Phillips (Figs. 1 y 2).



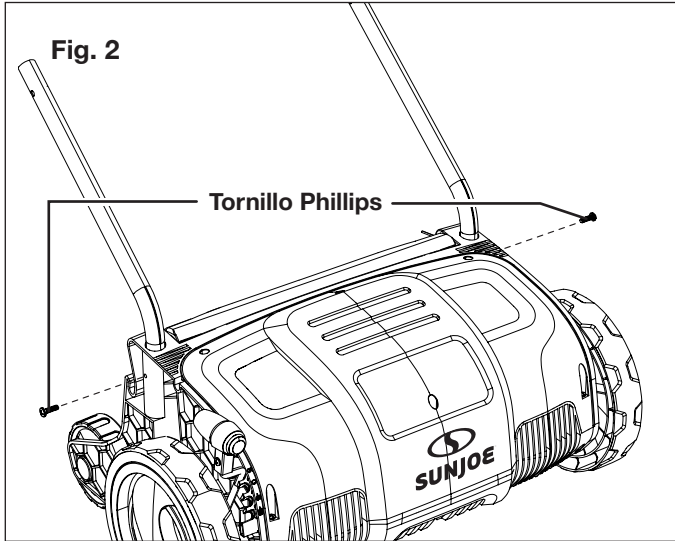


Fig. 2

Tornillo Phillips

2. Asegure las dos barras intermedias a las barras inferiores usando el primer conjunto de pernos y perillas. Ajuste las perillas en cada lado para garantizar un ajuste seguro (Fig. 3).

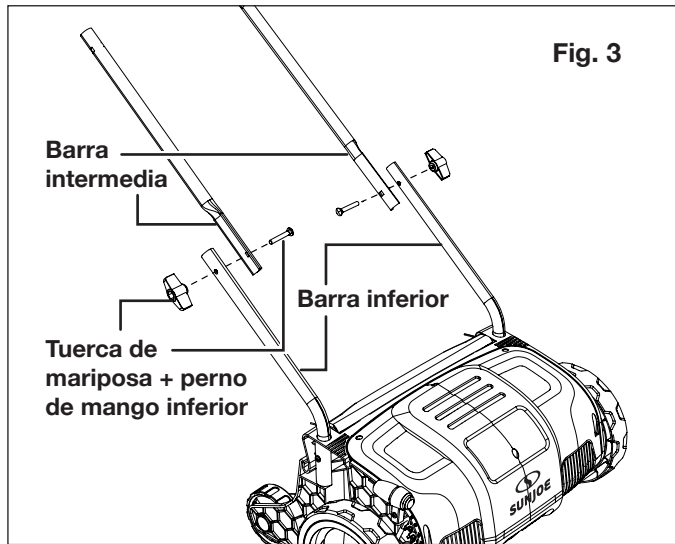


Fig. 3

Barra intermedia

Barra inferior

Tuerca de mariposa + perno de mango inferior

3. Deslice la caja del interruptor en el lado izquierdo de la estructura de manillar superior hasta que haga "clic" y se traben en su posición (Fig. 4).

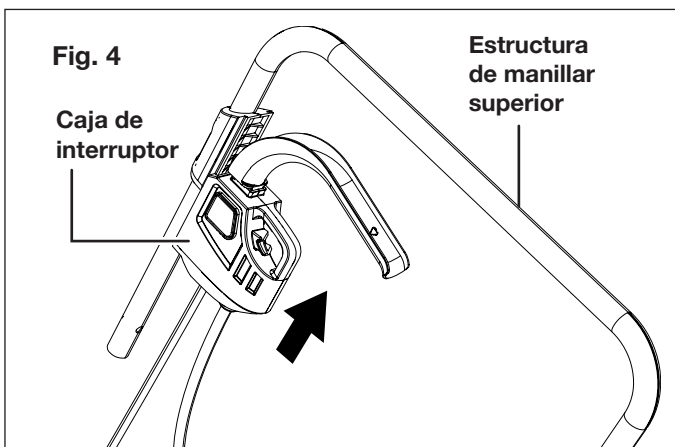


Fig. 4

Caja de interruptor

Estructura de manillar superior

4. Conecte el mango superior a las barras intermedias usando el segundo conjunto de perillas y pernos. Ajuste las perillas en cada lado para garantizar un ajuste seguro (Fig. 5).

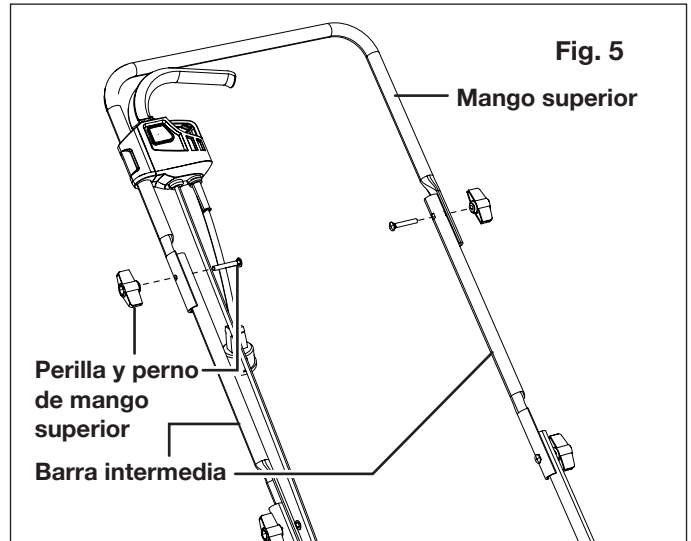


Fig. 5

Mango superior

Perilla y perno de mango superior

Barra intermedia

5. Asegure el cable con los ganchos para cable a las barras intermedia e inferior derechas (Fig. 6).

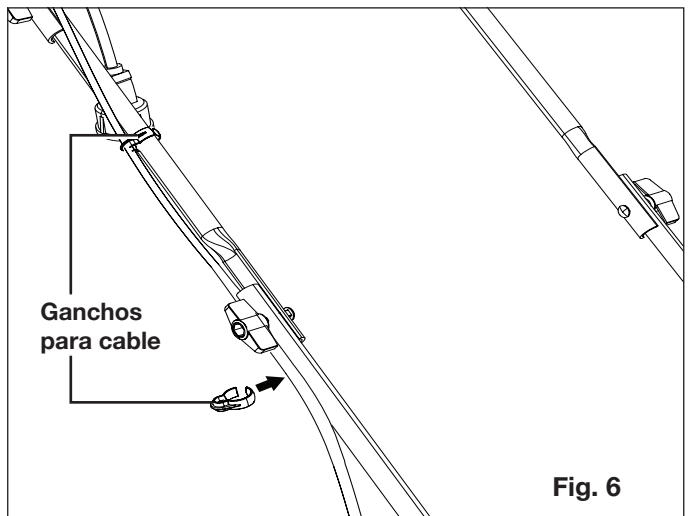


Fig. 6

Ganchos para cable

Ensamblado de bolsa recolectora de paja

⚠ ¡ADVERTENCIA! No intente usar la máquina sin haberle instalado la bolsa recolectora de paja. Esto puede presentar un peligro de escombros voladores.

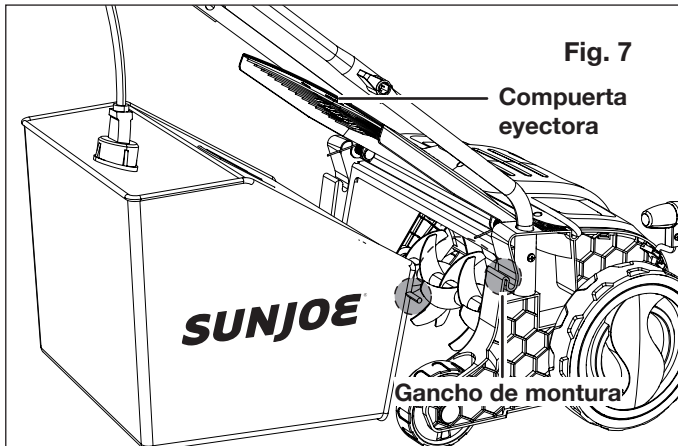
⚠ ¡ADVERTENCIA! El producto debe ser apagado y el dispositivo de corte debe haber dejado de girar por completo antes de que usted conecte o vacíe la bolsa recolectora de paja.

⚠ ¡ADVERTENCIA! Nunca use la escarificadora + aireadora eléctrica sin la bolsa recolectora de paja instalada de forma segura.

NOTA: una bolsa recolectora de paja llena reducirá el rendimiento de esta máquina.

Conecte la bolsa recolectora de paja a la escarificadora + aireadora eléctrica de césped antes de la operación.

1. Levante la compuerta eyectora y cuelgue la bolsa recolectora de paja en los ganchos de montura (Fig. 7).



Retiro y vaciado de la bolsa recolectora de césped

Vacíe la bolsa recolectora de césped frecuentemente durante el uso. No espere a que esté completamente llena. Recomendamos vaciarla cuando esté medio llena.

1. Levante la compuerta eyectora y saque la bolsa recolectora de paja de los ganchos de montura.
2. Vacíe los contenidos de la bolsa en un contenedor adecuado para desechos. Vuelva a montar la bolsa recolectora en su lugar antes de seguir con su trabajo.

Uso indicado

1. Esta escarificadora + aireadora tiene un motor de 12 amperios. Dependiendo del dispositivo de corte conectado, esta máquina está diseñada para escarificar y retirar paja de campos de césped o rastrillar jardines domésticos y recreativos.
2. Al ser usada como escarificadora, esta máquina trabaja raspando a través y entre el césped con púas especialmente adaptadas que recolectan y retiran cuerpos no deseados del césped, dejando las briznas de césped intactas. Al mismo tiempo, la máquina escarifica el suelo, aireándolo mejor.
3. Al usarla como aireadora, las púas finas rascan la superficie del césped recogiendo residuos ligeros para una mejor absorción de oxígeno y drenaje.
4. Esta máquina no debe ser usada en condiciones climáticas húmedas ni para cortar césped seco, mojado o inusualmente alto (como pastizales) ni para triturar hojas.
5. Esta máquina está destinada solo para un uso privado doméstico, no para un uso comercial. No debe ser usada para ningún propósito distinto a aquellos descritos.

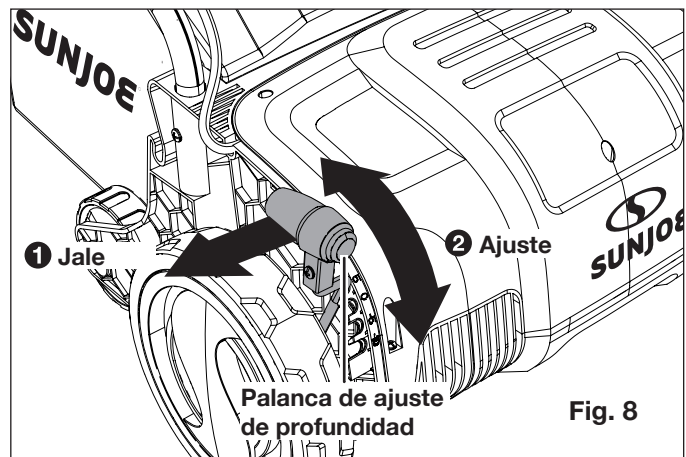
Operación

Ajuste de profundidad de corte

⚠ ¡ADVERTENCIA! la unidad debe estar apagada y desconectada de la fuente de alimentación antes de ajustar la posición de las púas.

Ajuste la profundidad según las necesidades de su césped. La profundidad más adecuada depende del tipo de césped y altura de sus hojas.

1. Jale la palanca de ajuste de profundidad lejos de la rueda, y luego muévala hacia adelante o hacia atrás para ajustar la profundidad de corte (Fig. 8).

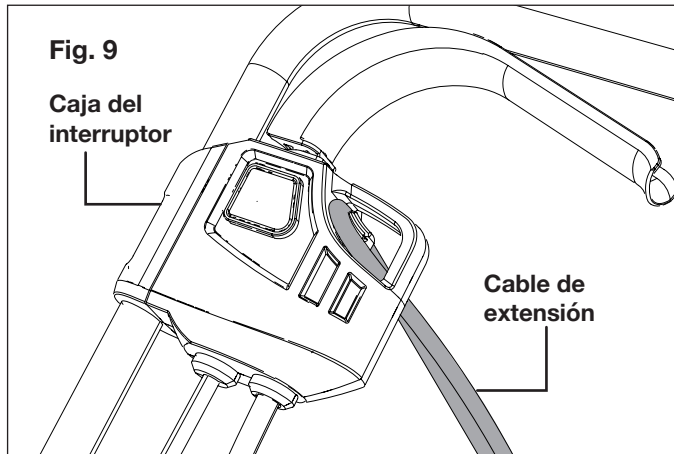


2. Ponga la palanca en una de las cuatro posiciones. Lea la profundidad seleccionada de la escala.

Ajuste	Profundidad	Aplicaciones
Mínimo	5 mm	Para rastrillado de césped sano. No usar para escarificado.
Intermedio	0 mm	Para transporte, almacenamiento, escarificado y rastrillado.
Profundo	-5 mm	Para escarificado, no recomendado para rastrillado.
Profundo	-10 mm	Para escarificado, no usar para rastrillado.

Conexión de alimentación

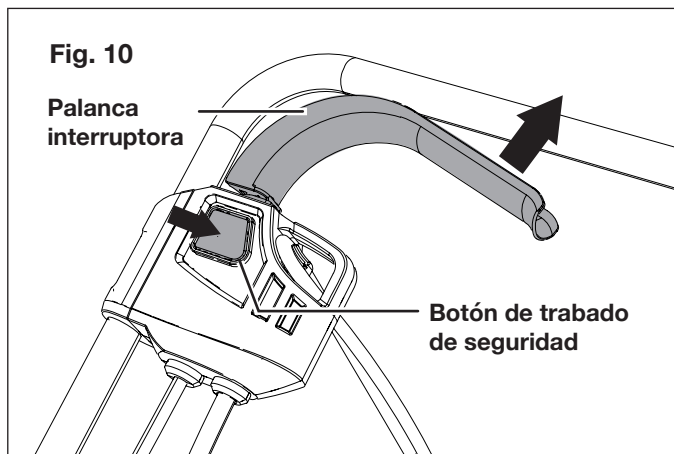
Empuje un bucle del cable de extensión a través de la ranura de la caja del interruptor, desde el lado opuesto de la caja (Fig. 9). Conecte el cable del artefacto a un cable de extensión adecuado para exteriores (vea la tabla de cables de extensión en la página 20).



Arranque y parada

⚠ ¡ADVERTENCIA! Antes de encender la escarificadora + aireadora eléctrica de césped, asegúrese de que no esté haciendo contacto con ningún objeto extraño. Mantenga sus pies y manos a una distancia segura de las púas giratorias y de la abertura del eyector. No obedecer estas advertencias puede provocar lesiones personales severas.

1. Para encender la escarificadora + aireadora eléctrica, presione y sujete el botón de trabado de seguridad mientras jala la palanca interruptora hacia usted. Una vez que la máquina se encienda, suelte el botón de trabado de seguridad y proceda con la operación (Fig. 10).



2. Para detener la escarificadora + aireadora eléctrica de césped, suelte la palanca interruptora.

⚠ ¡ADVERTENCIA! El cilindro de cuchillas o de púas continuará girando por un breve periodo luego de que la unidad haya sido apagada. No incline ni levante la unidad mientras el motor esté aún funcionando y no toque el cilindro cuando éste aún se encuentre girando. No obedecer esta advertencia puede resultar en lesiones personales severas.

Protección contra sobrecarga

La protección contra sobrecargas (disyuntor) se activará en las siguientes situaciones:

1. Una acumulación de material escarificado alrededor del dispositivo de corte.
2. Si el material escarificado es más grande que lo que permite el motor.
3. Cuando hay demasiada resistencia al dispositivo de corte.

Cuando el disyuntor ha sido activado, apague la máquina y desconéctela de la fuente de alimentación.

Deje que el producto se enfríe y elimine la causa de la activación del disyuntor antes de volver a usar la máquina.

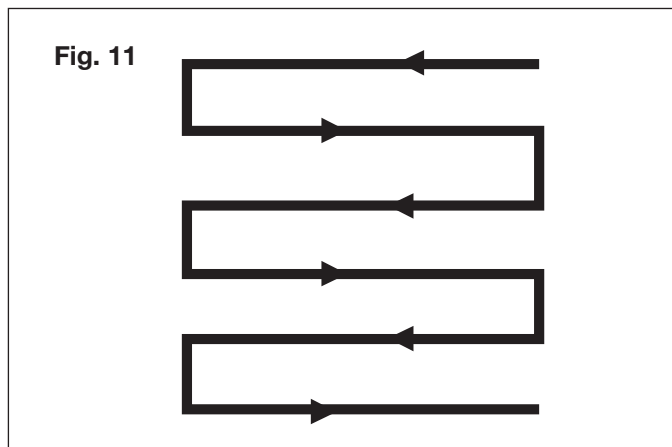
Operación general

⚠ ¡ADVERTENCIA! Detenga el motor si la máquina golpea un objeto extraño. Apague la máquina, desconéctela de la fuente de alimentación y deje que se enfríe por completo. Inspeccione la máquina minuciosamente en busca de daños. Haga reparar cualquier daño antes de reiniciar la máquina.

⚠ ¡ADVERTENCIA! Una vibración excesiva de la máquina durante la operación es una indicación de daños. Debe ser inspeccionada y reparada oportunamente.

- Inspeccione la máquina, su cable de alimentación y enchufe, así como los accesorios, en busca de daños antes de cada uso. No use la máquina si está dañada o muestra señales de desgaste.
- Vuelva a verificar que los accesorios estén colocados correctamente.
- Empuje la máquina hacia adelante por su mango. Mantenga el mango seco para garantizar un empuje seguro.
- Asegúrese de que los conductos de ventilación estén siempre despejados y sin obstrucciones. Límpielos de ser necesario con un cepillo suave. Los conductos de ventilación bloqueados pueden causar sobrecalentamiento y dañar el producto.
- Apague inmediatamente la máquina si usted es interrumpido durante el trabajo por otras personas que entren al área de trabajo. Siempre deje que la máquina se detenga por completo antes de abandonarla.
- No trabaje en exceso. Tome descansos regulares para asegurarse de estar concentrado en el trabajo y tener un control total sobre la máquina.
- Corte el césped antes de trabajar, y fertilice posteriormente.
- Asegúrese de que el césped esté libre de piedras, palos, alambres u otros objetos que puedan dañar la máquina o su motor.
- Seleccione la profundidad de corte adecuada para la altura real de las hojas de césped.
- No trabaje con esta máquina sobre césped húmedo ya que tiende a adherirse a los bajos de la máquina, evitando la descarga adecuada de material recolectado. Esto también puede hacer que usted se resbale y caiga.

- Lentamente empuje la máquina hacia adelante. Mueva la máquina a una velocidad apropiada. No la mueva muy rápido con el fin de evitar la obstrucción del conducto de descarga y la sobrecarga del motor.
- Trabaje en filas ligeramente superpuestas. El patrón más efectivo de corte para escarificar y rastrillar césped es de líneas rectas a lo largo de uno de los lados. Esto mantendrá las filas parejas y asegurará que todo el césped sea escarificado o rastrillado sin perderse ningún espacio (Fig. 11).



- Pase en círculos alrededor de canchales. Al llegar a un canchero en el medio del césped, haga una fila o dos alrededor de la circunferencia del canchero.
- Preste mucha atención al cambiar de dirección.

Escarificado

Tenga en cuenta el clima al escarificar. Escarifique el césped con una profundidad mayor durante la primavera, entre abril y mayo (hemisferio Norte), ya que el césped se recupera mejor durante esta temporada. Escarifique a fines del verano con una profundidad menor si fue una estación húmeda. No escarifique durante periodos calurosos. Luego de un verano seco, no escarifique una segunda vez en otoño.

Rastrillado

Para que un césped saludable se desarrolle en la primavera, es necesario que cantidades mayores de aire penetren el área alrededor de las raíces del césped. Recomendamos airear el césped cada 4 - 6 semanas, dependiendo de sus condiciones.

Mantenimiento

⚠ ¡ADVERTENCIA! Antes de realizar cualquier tarea de servicio o reparación, debe asegurarse de que la máquina haya sido desconectada de la fuente de alimentación. ¡Las tareas de mantenimiento y reparación distintas a las descritas en este manual de instrucción solo pueden ser realizadas por un especialista calificado!

Servicio y almacenamiento

Para garantizar un servicio prolongado y confiable de la máquina, lleve a cabo las siguientes tareas de mantenimiento de forma regular. Las tareas de mantenimiento, limpieza y retiro de protectores solo deben ser llevadas a cabo luego de que el motor haya sido apagado y el enchufe desconectado de la fuente de alimentación.

- Mantenga todos los pernos y tornillos ajustados para garantizar que la máquina esté en una condición segura de funcionamiento.
- Permita que la máquina se enfríe antes de guardarla en cualquier lugar cerrado.
- Inspeccione frecuentemente la bolsa recolectora de paja en búsqueda de desgaste o deterioro.
- Por motivos de seguridad, examine el producto de forma regular y reemplace las partes gastadas o dañadas.
- Verifique que las cubiertas y protectores estén sin daños y colocados correctamente. Realice los trabajos de mantenimiento o reparación necesarios antes de usar la máquina.
- Si el dispositivo de corte falla a pesar del cuidado tomado en su fabricación y evaluación, su reparación deberá ser realizada en un centro de servicio autorizado.
- No limpie la máquina mientras esté funcionando.
- Asegúrese que todos los componentes de ajuste (tornillos, tuercas, etc.) estén apretados en todo momento para que usted pueda trabajar de forma segura con la máquina.
- Inspeccione la máquina frecuentemente en búsqueda de daños. Reemplace las partes gastadas o dañadas.
- Guarde su máquina en un lugar seco. Para asegurar un ciclo de servicio útil prolongado, todos los tornillos y pernos deben ser limpiados y luego aceitados.
- Limpie la máquina con un cepillo o paño. No use ningún solvente o agua para retirar suciedad.
- El componente que está sujeto al mayor desgaste es el dispositivo de corte, por tanto usted debe verificar la condición del dispositivo de corte y su instalación en intervalos regulares.
 - Si el dispositivo de corte está gastado o desafilado, deberá ser reemplazado inmediatamente.
 - Si la máquina empieza a vibrar en exceso, entonces el dispositivo de corte no ha sido balanceado correctamente o ha sufrido una deformación debido a impactos. En este caso, debe ser reparado o reemplazado.

Reemplazo o cambio del dispositivo de corte

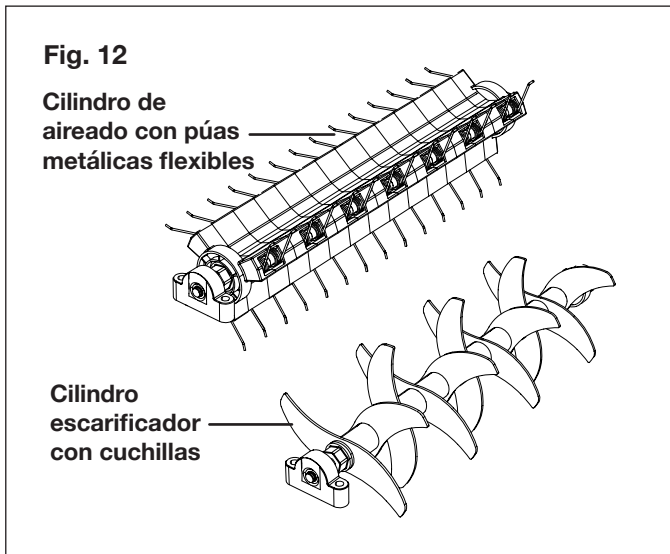
⚠ ¡ADVERTENCIA! Siempre apague la máquina, desconéctela de la fuente de alimentación y deje que se enfríe antes de reemplazar o cambiar el dispositivo de corte.

⚠ ¡ADVERTENCIA! Los dispositivos de corte son muy afilados y se calientan durante el uso. Manipúelos con mucho cuidado.

⚠ ¡ADVERTENCIA! Use guantes de seguridad al manipular los dispositivos de corte para evitar lesiones como quemaduras y cortes.

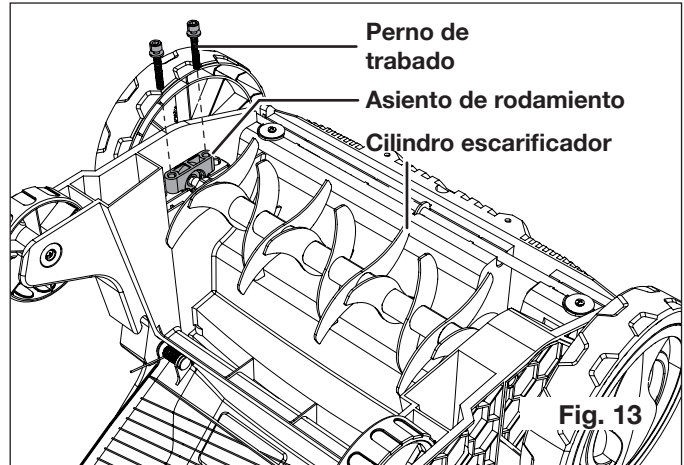
⚠ ¡ADVERTENCIA! Asegúrese de que todos los pernos estén completamente ajustados antes de operar la máquina. No opere la máquina si cualquier perno está perdido, suelto o dañado.

El producto tiene dos funciones: escarificado y rastrillado. El cilindro escarificador está preensamblado en la máquina. El cilindro de rastrillaje está incluido en la caja de suministros. Los cilindros son intercambiables según la aplicación (Fig. 12).

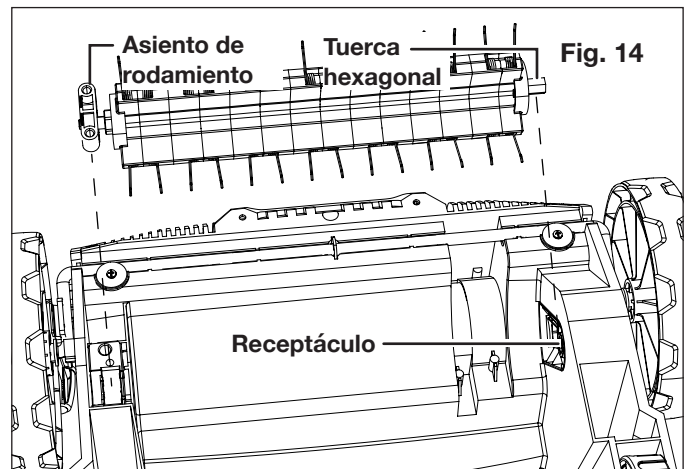


⚠ ¡ADVERTENCIA! Antes de realizar cualquier tarea de mantenimiento, desconecte siempre la unidad de la fuente de alimentación y espere a que el cilindro de púas se detenga por completo. Use guantes protectores al manipular el cilindro.

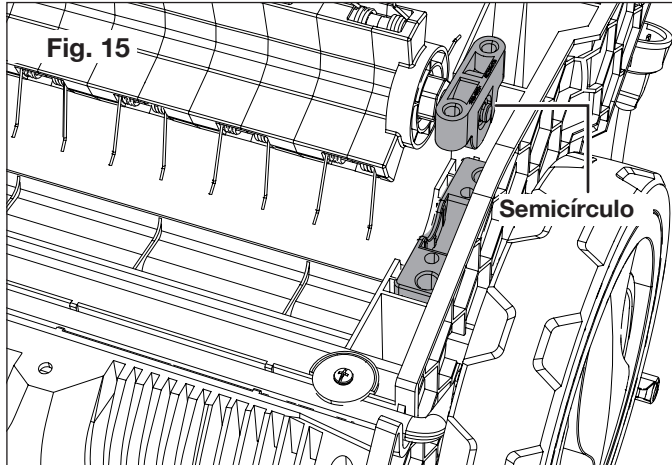
1. Retire la bolsa recolectora de paja.
2. Coloque la máquina al revés sobre una superficie plana y estable para acceder al cuerpo inferior de la máquina.
3. Afloje los dos pernos de trabado con la llave hexagonal suministrada, y retírelos junto con el dispositivo de corte adjunto (Fig. 13).



4. Para retirar el dispositivo de corte, primero levante el asiento del rodamiento y luego sáquelo del eje impulsor.
5. Alinee e inserte el dispositivo de corte respectivo: deslice la tuerca hexagonal dentro del receptáculo del eje impulsor y fije el asiento del rodamiento al soporte con los pernos de trabado (Fig. 14).



⚠ ¡ADVERTENCIA! Asegúrese de que el dispositivo de corte (cilindro aireador) sea insertado adecuadamente. Asegúrese de que el semicírculo en el asiento del rodamiento del cilindro apunte hacia abajo, dentro de la unidad. Si el semicírculo apunta hacia arriba, entonces ha sido insertado incorrectamente (Fig. 15).



NOTA: si tiene preguntas o necesita ayuda, comuníquese con el centro de servicio al cliente Snow Joe® + Sun Joe® llamando al 1-866-766-9563 (1-866-SNOWJOE).

Después del uso

1. Apague la máquina, desconéctela de la fuente de alimentación, y deje que se enfríe por completo.
2. Inspeccione, limpie y almacene la máquina tal como se describe a continuación.

Limpieza y almacenamiento

1. Limpie bien el exterior de la máquina con un cepillo suave y un paño antes de guardarla. No use agua, solventes, ni pulidores.
2. Apoye la escarificadora + aireadora en uno de sus lados para limpiar el área del cilindro.

NOTA: debido al uso intenso, o cuando el césped está mojado, los recortes tienden a adherirse y acumularse alrededor del cilindro, causando un sobrecalentamiento. Para evitar esto, limpie el cilindro de todos los recortes de césped después de cada uso.

3. Guarde la escarificadora + aireadora en un lugar seco. No coloque otros objetos encima de la escarificadora + aireadora durante su almacenamiento.

Bolsa recolectora de paja

1. Inspeccione la bolsa recolectora de paja antes de cada uso. No la use si encuentra algún daño.
2. Limpie la bolsa recolectora de paja luego de la operación. Deje que la bolsa recolectora de paja se seque completamente antes de guardarla para evitar enmohecimiento.

Transporte

1. Apague la máquina y desconéctela de la fuente de alimentación antes de llevarla a cualquier otro lugar.
2. Conecte los protectores para transporte, de ser aplicable.
3. Ajuste la profundidad de corte a nivel de transporte (consulte “ajuste de profundidad de corte” en la página 27).
4. Transporte siempre el producto por su mango.
5. Proteja el producto contra cualquier golpe duro o vibraciones fuertes que puedan ocurrir durante el transporte en vehículos.
6. Asegure el producto para evitar que se caiga o resbale.

Servicio y soporte

Si su escarificadora + aireadora eléctrica AJ798E requiere servicio o mantenimiento, por favor llame al 1-866-SNOWJOE (1-866-766-9563) para asistencia.

Modelo y número de serie

Al contactar a la empresa, ordenar partes de repuesto o programar una reparación en un centro autorizado, usted necesitará proporcionar el modelo y número de serie de la máquina, los cuales se encuentran en la etiqueta ubicada en su carcasa. Copie estos números en el espacio proporcionado a continuación.

Registre los siguientes números que se encuentran en la carcasa o mango de su nuevo producto:													
N° de modelo:													
A	J	7	9	8	E								
N° de serie:													

Solución de problemas

⚠ ¡ADVERTENCIA! ¡Solo lleve a cabo los pasos descritos en estas instrucciones!

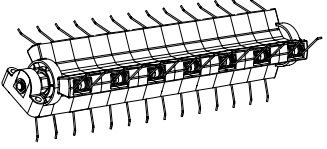
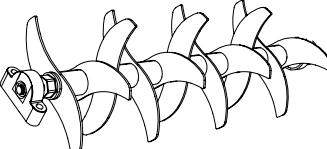
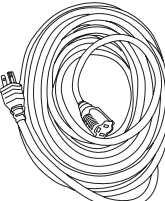
Todas las demás inspecciones y tareas de mantenimiento y reparación deberán ser llevadas a cabo en un centro de servicio autorizado o por un especialista similarmente calificado si usted no puede resolver el problema.

Los desperfectos sospechados, disturbios o daños son generalmente debidos a causas que el usuario puede arreglar por sí mismo. Siga las instrucciones de solución de problemas a continuación al revisar la unidad. En la mayoría de los casos, el problema puede ser resuelto rápidamente y la escarificadora + aireadora eléctrica puede volver a su condición de trabajo normal.

Problema	Causa posible	Solución
El motor no arranca	<ul style="list-style-type: none"> a) No está conectado al tomacorriente b) El cable de alimentación o el enchufe se encuentran defectuosos c) Otro defecto eléctrico del producto d) Botón de trabado de seguridad no presionado e) La máquina se ha sobrecalentado 	<ul style="list-style-type: none"> a) Conéctelo al tomacorriente b) Contacte a un representante de servicio autorizado c) Contacte a un representante de servicio autorizado d) Presione primero el botón de trabado de seguridad, y luego la palanca interruptora e) Retire los recortes de césped alrededor del cilindro. Espere un rato hasta que la máquina se haya enfriado, y luego vuélvala a encender
El producto no alcanza su máxima potencia	<ul style="list-style-type: none"> a) El cable de extensión no es el adecuado para una operación con este producto b) Las rejillas de ventilación están bloqueadas 	<ul style="list-style-type: none"> a) Utilice un cable de extensión adecuado b) Limpie las rejillas de ventilación
Resultados insatisfactorios	<ul style="list-style-type: none"> a) Dispositivo de corte gastado b) El material escarificado excede la capacidad de la máquina c) La profundidad de escarificado es incorrecta 	<ul style="list-style-type: none"> a) Reemplace el cilindro de púas (ver página 30) b) Solo escarifique materiales de acuerdo a la capacidad del producto c) Ajuste la profundidad

Accesorios opcionales

⚠ ¡ADVERTENCIA! USE SIEMPRE solo partes de repuesto y accesorios Snow Joe® + Sun Joe®. NUNCA use partes de repuesto o accesorios que no estén diseñados para su uso con esta escarificadora + aireadora eléctrica. Comuníquese con Snow Joe® + Sun Joe® si tiene dudas sobre si es seguro usar una parte de repuesto o accesorio en particular con su escarificadora + aireadora eléctrica. El uso de cualquier otro accesorio o parte puede ser peligroso y puede causar lesiones personales o daños mecánicos.

Accesorio	Descripción	Modelo
<p>①</p> 	<p>Dientes de repuesto de aireadora</p>	<p>AJ798E-DTNS</p>
<p>②</p> 	<p>Cuchillas de repuesto de escarificadora</p>	<p>AJ798E-SCRF</p>
<p>③</p> 	<p>Cable de extensión de 50 pies y calibre 14 Snow Joe® + Sun Joe® SJTW-A con extremo iluminado</p>	<p>PJEXT50-B</p>

NOTA: los accesorios están sujetos a cambios sin obligación alguna por parte de Snow Joe® + Sun Joe® de notificar sobre dichos cambios. Los accesorios pueden ser pedidos visitando el sitio Web sunjoe.com o llamando al centro de servicio al cliente Snow Joe® + Sun Joe® al 1-866-SNOWJOE (1-866-766-9563).



LA PROMESA DE SNOW JOE® + SUN JOE® AL CLIENTE

POR SOBRE TODO, en Snow Joe, LLC (“Snow Joe”) estamos dedicados a usted, nuestro cliente. Nos esforzamos por hacer que su experiencia sea lo más placentera posible. Desafortunadamente, hay veces en que un producto Snow Joe®, Sun Joe®, o Aqua Joe® (el “Producto”) no funciona o sufre un desperfecto bajo condiciones normales de operación. Creemos que es importante que usted sepa que puede confiar en nosotros. Es por eso que tenemos esta Garantía Limitada (la “Garantía”) para nuestros Productos.

NUESTRA GARANTÍA:

Snow Joe garantiza que sus Productos motorizados y no motorizados, nuevos y genuinos, están libres de defectos materiales o de mano de obra al ser usados en tareas domésticas normales durante un periodo de dos (2) años a partir de la fecha de compra por parte del comprador original y usuario final, cuando este último los compra a través de Snow Joe o un vendedor autorizado por Snow Joe y ha obtenido un comprobante de compra. Ya que Snow Joe no puede controlar la calidad de sus Productos vendidos por vendedores no autorizados, a menos que la ley lo prohíba esta Garantía no cubre Productos adquiridos a través de vendedores no autorizados. Si su Producto no funciona, o hay un problema con una parte específica que está cubierta por los términos de esta Garantía, Snow Joe elegirá entre: (1) enviarle una parte de repuesto gratuita; (2) reemplazar el Producto con uno nuevo o similar sin costo alguno; o (3) reparar el Producto. ¡Un excelente soporte!

Esta Garantía le da derechos legales específicos, y usted puede también tener otros derechos según el Estado.

REGISTRO DEL PRODUCTO:

Snow Joe le recomienda enfáticamente registrar su Producto. Usted puede registrar su Producto en línea visitando snowjoe.com/register, imprimiendo y enviando por correo una tarjeta de registro disponible en línea en nuestro sitio Web, llamando a nuestra central de servicio al cliente al **1-866-SNOWJOE (1-866-766-9563)**, o enviándonos un e-mail a help@snowjoe.com. Si usted no registra su Producto sus derechos de garantía no disminuirán; sin embargo, registrar su Producto permitirá que Snow Joe le pueda atender mejor si usted tiene alguna necesidad como cliente.

¿QUIÉN PUEDE SOLICITAR COBERTURA DE GARANTÍA LIMITADA?

Esta Garantía es otorgada por Snow Joe al comprador original y propietario original del Producto.

¿QUÉ NO ESTÁ CUBIERTO?

Esta Garantía no se aplica si el Producto ha sido usado de forma comercial o en aplicaciones no domésticas o de alquiler. Esta Garantía tampoco se aplica si el Producto fue adquirido desde un vendedor no autorizado. Esta garantía tampoco cubre cambios cosméticos que no afecten el funcionamiento del Producto. Las partes desgastables como correas, brocas y cuchillas no están cubiertas por esta Garantía, y pueden ser compradas visitando snowjoe.com o llamando al **1-866-SNOWJOE (1-866-766-9563)**.



SCARIFICATEUR/AÉRATEUR DE PELOUSE ÉLECTRIQUE

12 A | 32 cm

FR

MANUEL D'UTILISATION

Une division de Snow Joe®, LLC

Modèle AJ798E

Formulaire n° SJ-AJ798E-880F-M

IMPORTANT!

Consignes de sécurité

Tous les utilisateurs doivent lire ces instructions avant d'utiliser la machine

Suivez toujours ces consignes de sécurité. Ne pas s'y conformer peut entraîner de graves blessures pouvant même être fatales.

AVERTISSEMENTS d'ordre général en matière de sécurité!

Quand vous utilisez ce scarificateur-aérateur électrique, les précautions de sécurité de base doivent toujours être suivies pour réduire le risque d'incendie, de secousse électrique ou de dommages corporels.

Avant d'utiliser le scarificateur-aérateur, prenez le temps de vous familiariser avec les commandes, spécialement la façon d'arrêter la machine en cas d'urgence. Les seules personnes qui doivent utiliser le scarificateur-aérateur sont celles qui comprennent parfaitement les instructions et qui savent comment utiliser la machine. Les enfants ne doivent jamais être autorisés à avoir accès au scarificateur-aérateur.

Conservez ce manuel pour y faire éventuellement référence dans le futur et relisez-le au début de chaque saison de déchaumage.

Sécurité générale

- 1. Maintenir la zone de travail propre et bien éclairée** – Les endroits encombrés et sombres sont propices aux accidents.
- 2. Pièces de rechange** – Pour les réparations sur cette machine, utilisez uniquement des pièces de rechange identiques. Remplacez ou réparez immédiatement tout cordon endommagé.
- 3. Maintenir les enfants, les spectateurs et les animaux familiers à bonne distance** – Tous les spectateurs, notamment les animaux familiers, doivent être maintenus à une distance de sécurité de la zone de travail.
- 4. S'habiller en conséquence** – Ne portez ni vêtements amples ni bijoux, ceux-ci pouvant se prendre dans les


pièces mobiles. Les cheveux longs doivent être ramassés sous un couvre-chef. Il est recommandé de porter des gants en caoutchouc et des chaussures suffisamment montantes et antidérapantes pour tout travail à l'extérieur.

- 5. Éviter tout démarrage accidentel** – Ne transportez pas le scarificateur-aérateur en maintenant le doigt sur l'interrupteur. Avant de brancher la machine, assurez-vous que l'interrupteur est à la position d'arrêt.
- 6. Ne pas forcer la machine** – Elle fonctionnera mieux, sera moins dangereuse et moins susceptible de tomber en panne si elle est utilisée au régime pour lequel elle a été conçue.
- 7. Porter un équipement de protection individuel** – Quand vous utilisez cette machine, portez des lunettes de sécurité munies d'écrans latéraux ou des lunettes de protection pour vous protéger efficacement les yeux. Portez des protecteurs d'oreille pour éviter une diminution de l'acuité auditive. Utilisez un masque facial ou un masque antipoussières si l'environnement de travail est poussiéreux.
- 8. Débrancher la machine** – Débranchez le scarificateur-aérateur quand vous ne l'utilisez pas, avant d'intervenir dessus, quand vous changez d'accessoire ou quand vous effectuez toute autre tâche d'entretien.
- 9. Remiser la machine à l'intérieur, à l'arrêt complet** – Si vous ne l'utilisez pas, le scarificateur-aérateur doit être remis à l'intérieur dans un endroit sec, surélevé et sous clé, hors de portée des enfants.
- 10. Effectuer avec soin l'entretien du scarificateur-aérateur** – Pour que leur rendement soit optimal et qu'ils puissent être utilisés sans danger, maintenez les tranchants affûtés et propres.

Inspectez périodiquement le cordon du scarificateur-aérateur et, s'il est endommagé, faites-le réparer par un centre de réparation agréé. Les rallonges électriques doivent être périodiquement inspectées et immédiatement remplacées si elles sont endommagées. Maintenez le guidon sec, propre et exempt d'huile et de graisse.
- 11. Utiliser le bon outil** – N'utilisez pas la machine pour des travaux différents de ceux auxquels elle est destinée.
- 12. Éviter les endroits dangereux** – N'utilisez pas le scarificateur-aérateur sous la pluie ou dans les endroits humides.
- 13. Rester vigilant** – Surveillez ce que vous faites. Faites preuve de bon sens. N'utilisez pas le scarificateur-aérateur si vous êtes fatigué, si vous avez consommé de l'alcool ou de la drogue ou si vous avez pris des médicaments.

- 14. Ne pas s'arc-bouter** – Restez en permanence sur les deux pieds pour ne pas perdre l'équilibre.
- 15. Vérifier que les pièces ne sont pas endommagées** – Avant d'utiliser la machine, inspectez-la soigneusement pour vérifier que les dispositifs de protection ou toute autre pièce ne sont pas endommagés et pour vous assurer qu'elle fonctionne correctement pour l'utilisation à laquelle elle est destinée. Vérifiez l'alignement des pièces mobiles, qu'aucune pièce ne gripe ou n'est cassée, les fixations et tout autre problème susceptible d'entraver le bon fonctionnement de la machine. Les dispositifs de protection ou toute pièce endommagés doivent être réparés ou remplacés de façon appropriée. Communiquez avec le service à la clientèle Snow Joe® + Sun Joe® en appelant le 1-866-SNOWJOE (1-866-766-9563) pour de l'aide.

Outils et machines à double isolation

Les outils et machines à double isolation sont dotés de deux systèmes d'isolation au lieu d'une mise à la terre. Aucune mise à la terre veut dire qu'elle est déjà fournie sur un outil ou une machine à double isolation. Toute intervention sur un outil ou une machine à double isolation exige un soin extrême et une parfaite connaissance du système et doit être effectuée uniquement par du personnel technique qualifié chez un revendeur Snow Joe® + Sun Joe® agréé. Les pièces de rechange pour un outil ou une machine à double isolation doivent être identiques aux pièces d'origine. Les indications « Double Insulation » (double isolation) ou « Double Insulated » (doublement isolé) sont marquées sur tous les outils ou machines à double isolation. Le symbole  (carré dans un carré) peut être également marqué sur l'outil ou la machine.



DOUBLE ISOLATION : MISE À LA TERRE NON REQUISE. POUR LES RÉPARATIONS, UTILISER UNIQUEMENT DES PIÈCES DE RECHANGE IDENTIQUES.

Le scarificateur-aérateur électrique est à double isolation, éliminant ainsi la nécessité d'un système séparé de mise à la terre. Utilisez uniquement des pièces de rechange identiques. Lisez les instructions avant d'intervenir sur un outil ou une machine à double isolation. Utilisez ce scarificateur-aérateur électrique uniquement comme décrit dans ce manuel.

Sécurité électrique

- Des dispositifs de protection contre les défauts de terre (disjoncteurs de fuite de terre) doivent être fournis sur les circuits ou les prises utilisés pour ce scarificateur-aérateur électrique. Des prises intégrant un disjoncteur de fuite de terre sont offertes et peuvent être utilisées pour répondre à cette mesure de sécurité.
- Pour prévenir toute secousse électrique, utilisez uniquement une rallonge électrique appropriée pour l'extérieur, par exemple les modèles SW-A, SOW-A, STW-A, STOW-A, SJW-A, SJOW-A, SJTW-A ou SJTOW-A.

Avant son utilisation, vérifiez que la rallonge électrique est en bon état. Si vous utilisez une rallonge électrique, assurez-vous qu'elle soit de calibre suffisant pour le courant que la machine va consommer. Une rallonge sous-dimensionnée provoquera une chute de tension dans les lignes, ce qui entraînera une perte de puissance et une surchauffe.



AVERTISSEMENT



Toute secousse électrique peut entraîner des BLESSURES GRAVES pouvant même être FATALES. Tenir compte de ces avertissements :

- Ne laisser aucune pièce du scarificateur-aérateur électrique entrer en contact avec de l'eau pendant son utilisation. Si la machine se mouille lorsqu'elle n'est pas sous tension, l'essuyer avant de la redémarrer.
- Utiliser uniquement une rallonge électrique homologuée UL, CSA ou ETL, recommandée pour une utilisation à l'extérieur et tout temps, par exemple la rallonge électrique de 15 m et de calibre 14 Snow Joe® + Sun Joe® SJTW-A à extrémités lumineuses (modèle PJEXT50-B). Visiter sunjoe.com pour acheter en ligne cette rallonge électrique ou, pour la commander par téléphone, appeler le 1-866-SNOWJOE (1-866-766-9563).
- Ne pas utiliser de rallonge électrique d'une longueur supérieure à 30 m.
- Ne pas toucher la machine ou sa prise de courant les mains mouillées ou les pieds dans l'eau. Le port de bottes de caoutchouc offre une certaine protection.

TABLEAU - RALLONGE ÉLECTRIQUE

Longueur de la rallonge électrique	Jusqu'à 15 m	+15 m -30 m
Calibre de fil (AWG)	14	12

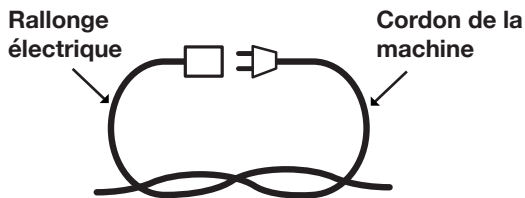
- Pour réduire le risque d'électrocution, cette machine est munie d'une fiche polarisée (c.-à-d., une lame est plus large que l'autre). Utilisez cette machine uniquement avec une rallonge électrique à fiche polarisée, homologuée UL, CSA ou ETL et recommandée pour une utilisation à l'extérieur. La fiche de l'outil ne s'insère que d'une seule façon dans une rallonge à fiche polarisée.

Si la fiche de la machine ne rentre pas complètement dans la rallonge, inversez-la. Si la fiche ne s'insère toujours pas, procurez-vous une rallonge à fiche polarisée. Une rallonge à fiche polarisée nécessite l'utilisation d'une prise murale polarisée. La fiche polarisée de la rallonge ne s'insère que d'une seule façon dans la prise murale polarisée. Si la fiche ne rentre pas complètement dans la prise murale, inversez-la. Si la fiche ne s'insère toujours pas, communiquez avec un électricien qualifié pour qu'il pose une prise adéquate. Ne modifiez en aucune façon la

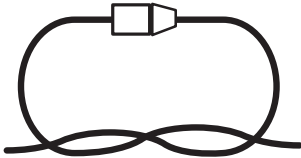
fiche de la machine, la prise de la rallonge ou la fiche de la rallonge.

4. Pour empêcher que le cordon de la machine se débranche de la rallonge électrique pendant son utilisation, utilisez le crochet de retenue de rallonge électrique sur la machine et/ou faites un nœud avec les deux cordons comme indique le Tableau 1.

Tableau 1. Méthode d'attache de rallonge électrique



(A) Nouer les cordons comme sur l'illustration



(B) Brancher la fiche dans la prise

5. N'utilisez pas le cordon à mauvais escient. Ne tirez jamais le scarificateur-aérateur par le cordon et ne tirez pas brusquement sur le cordon pour le retirer de la prise. Maintenez le cordon éloigné de la chaleur, de l'huile et des objets tranchants.

IMPORTANT!

Consignes de sécurité pour les scarificateurs-aérateurs poussés

Généralités concernant l'utilisation

- Lisez, comprenez et suivez toutes les instructions sur la machine et dans le ou les manuels.
- Inspectez soigneusement le terrain où la machine doit être utilisée et retirez tous les corps étrangers.

⚠ AVERTISSEMENT! Des corps étrangers se trouvant dans la zone de travail peuvent être ramassés par le scarificateur-aérateur et être projetés dans les yeux, ce qui peut entraîner de graves blessures. Outre l'inspection de la zone de travail et l'élimination de tous les corps étrangers s'y trouvant avant de commencer à scarifier ou déchaumer, portez toujours des lunettes de sécurité ou des lunettes de protection munies d'écrans latéraux et, au besoin, un masque facial intégral.

- Utilisez le scarificateur-aérateur électrique uniquement à la lumière du jour ou sous un bon éclairage artificiel.
- N'utilisez pas la machine sans porter de vêtements extérieurs appropriés. Portez des chaussures de

protection permettant d'avoir une meilleure prise sur les surfaces glissantes.

- Pour toutes les machines équipées d'un moteur électrique d'entraînement ou d'un moteur à démarrage électrique, utilisez une rallonge électrique et une prise respectant les spécifications du fabricant (voir le schéma sur la méthode d'attache de la rallonge électrique en page 39).
- N'essayez jamais de procéder à des réglages quand le moteur tourne.
- N'utilisez jamais le scarificateur-aérateur dans de l'herbe humide. Assurez toujours vos pas; marchez, ne courez jamais quand vous utilisez la machine.
- Ne mettez ni les mains ni les pieds sous les pièces rotatives ou à proximité.
- Faites preuve d'une extrême prudence lorsque vous utilisez la machine ou lui faites traverser des chemins, des allées ou des routes de gravier. Soyez à l'affût des dangers cachés et de la circulation.
- Faites très attention pour éviter de glisser ou de tomber.
- Arrêtez le moteur et débranchez la machine quand vous quittez la position de conduite, avant de débloquer les dents et à chaque fois que vous réparez, réglez, inspectez ou effectuez tout autre type d'entretien sur la machine.
- Prenez toutes les précautions nécessaires quand vous laissez la machine sans surveillance. Arrêtez le moteur et débranchez le cordon d'alimentation.
- Avant de nettoyer, réparer ou inspecter la machine, coupez le moteur, débranchez le cordon d'alimentation et patientez jusqu'à ce que toutes les pièces mobiles soient à l'arrêt complet.
- N'utilisez jamais la machine sans que les carters de protection, les plaques de protection et les autres dispositifs de protection et de sécurité soient en place et en bon ordre de marche.
- Maintenez les enfants et les animaux familiers à bonne distance.
- Ne surchargez pas la capacité de la machine en essayant de déchaumer à une trop grande profondeur et à un régime trop rapide.
- Ne déplacez pas la machine à une vitesse élevée sur un sol dur ou glissant.
- N'autorisez jamais de spectateurs à s'approcher de la machine quand elle est en cours d'utilisation.
- Utilisez uniquement des accessoires homologués par le fabricant de la machine.
- N'utilisez jamais la machine sans bonne visibilité ou éclairage adéquat.
- Soyez vigilant quand vous scarifiez/aérez un sol dur. Les dents peuvent se bloquer dans le sol et propulser la machine vers l'avant. Si ceci se produit, relâchez le levier marche/arrêt et ne cherchez pas à retenir la machine.
- Faites preuve d'une extrême prudence quand vous entamez une marche arrière ou quand vous tirez la machine vers vous.

- Si la machine doit être basculée pour la déplacer, attendez que les dents s'arrêtent. Ne faites pas tourner les dents quand vous traversez des terrains où il n'y a pas d'herbe et quand vous déplacez la machine d'une zone de travail à une autre.
- Ne basculez pas la machine quand vous mettez le moteur en marche, sauf si la machine doit être basculée pour la démarrer. Dans ce cas, basculez-la en vous limitant à ce qui est absolument nécessaire et levez uniquement la partie qui est à l'opposé de l'utilisateur.
- Ne démarrez pas le moteur en restant debout derrière l'ouverture d'éjection.
- Mettez le moteur en marche avec précaution en suivant les instructions et maintenez les pieds à l'écart des dents en rotation.
- Ne soulevez ou ne portez jamais la machine quand le moteur tourne.
- Arrêtez le moteur et débranchez la machine :
 - avant de retirer ce qui peut bloquer la machine ou obstruer l'ouverture d'éjection;
 - avant d'effectuer une vérification sur la machine, de la nettoyer ou d'intervenir dessus;
 - après avoir heurté un corps étranger. Inspectez la machine pour vérifier si elle a été endommagée et réparez-la avant de la redémarrer et de l'utiliser de nouveau;
 - si la machine commence à vibrer anormalement (vérifiez-la immédiatement);
 - toutes les fois que vous laissez la machine sans surveillance.
- N'utilisez jamais le scarificateur-aérateur sans que le sac à chaume soit solidement attaché.
- **AVERTISSEMENT!** Faire très attention aux dents acérées. Les dents continueront de tourner après avoir coupé le moteur.

Utilisation sur terrain pentu

Les terrains pentus sont la cause majeure des accidents dus à des glissades ou à des chutes et des graves blessures qu'ils peuvent entraîner. L'utilisation d'un scarificateur-aérateur sur terrain pentu exige une extrême vigilance. Si vous ne vous sentez pas à l'aise sur un terrain pentu, ne le déchaumez pas ou ne le scarifiez pas.

- Déchaumez en travers de la pente, jamais en montant ou en descendant. Faites preuve d'une extrême prudence quand vous changez de direction sur un terrain pentu.
- Faites attention aux trous, aux ornières, aux bosses, aux roches et à tout ce qui peut être caché. Ils peuvent vous faire glisser ou tomber sans prévenir.
- Ne déchaumez pas sur de l'herbe mouillée ou un terrain excessivement pentu. Si vous êtes instable sur vos deux pieds, vous risquez de glisser ou de tomber.
- Ne déchaumez pas à proximité d'à-pics, de fossés ou de talus. Vous pourriez perdre l'équilibre.

Sécurité des enfants

Des accidents tragiques peuvent se produire si l'utilisateur ne fait pas attention à la présence d'enfants. Les enfants font souvent preuve d'une grande curiosité à l'égard de la machine et de l'opération de déchaumage elle-même. Ne supposez jamais que les enfants resteront là où vous les avez vus pour la dernière fois.

- Maintenez les enfants à l'écart de la zone à déchaumer et sous la stricte surveillance d'un adulte responsable autre que l'utilisateur.
- Soyez vigilant et arrêtez la machine si un enfant pénètre dans la zone de travail.
- Ne laissez jamais les enfants utiliser la machine.
- Redoublez d'attention en approchant les coins aveugles, les buissons, les arbres ou tout ce qui pourrait vous empêcher de voir un enfant.

Réduction des vibrations et du bruit

Pour réduire l'impact du bruit et la propagation des vibrations, limitez la durée d'utilisation, passez sur des modes d'utilisation produisant peu de vibrations et de bruit et portez également un équipement de protection individuelle. Tenez compte des points suivants pour réduire au minimum les risques d'exposition aux vibrations et au bruit :

- Utilisez la machine uniquement pour les travaux pour lesquels elle a été conçue et selon les instructions du fabricant.
- Assurez-vous que la machine est en bon état et qu'elle est bien entretenue.
- Utilisez les accessoires appropriés pour la machine et assurez-vous qu'ils sont en bon état.
- Tenez fermement le guidon des deux mains.
- Entretenez cette machine selon les instructions fournies dans ce manuel et maintenez-la toujours bien lubrifiée.
- Planifiez votre emploi du temps pour répartir sur plusieurs jours l'utilisation d'un outil produisant beaucoup de vibrations.

Risques résiduels





Même si vous utilisez cette machine en respectant les consignes de sécurité, il y aura toujours un risque de dommages corporels et matériels. La structure et la conception de cette machine peuvent présenter les dangers suivants :

- Problèmes de santé résultant de la propagation de vibrations si la machine est utilisée pendant de longues périodes ou si elle n'est pas utilisée à bon escient et mal ou insuffisamment entretenue.
- Dommages corporels et matériels dus à l'utilisation d'accessoires cassés ou au choc soudain avec des corps étrangers cachés.
- Danger de dommages corporels et matériels provoqués par des débris volants.

⚠️ AVERTISSEMENT! Cette machine produit un champ électromagnétique pendant son utilisation! Ce champ peut, dans certaines circonstances, interférer avec des prothèses actives ou passives! Pour réduire le risque de dommages corporels graves ou même mortels, nous recommandons que les personnes ayant des prothèses consultent leur médecin et le fabricant des prothèses avant d'utiliser cette machine.

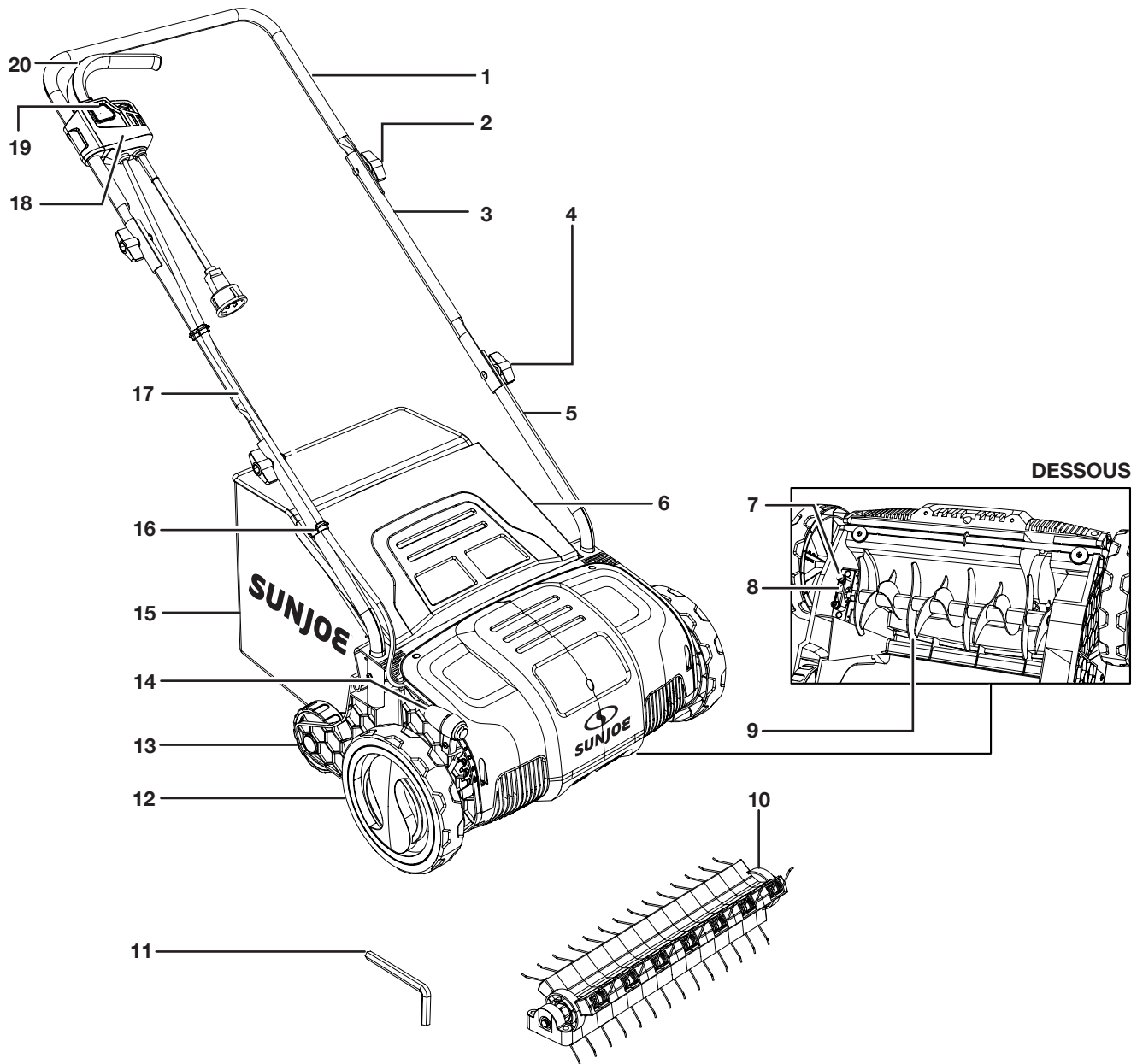
Symboles de sécurité

Le tableau suivant décrit et explique les symboles de sécurité pouvant être marqués sur cette machine. Lisez, comprenez et suivez toutes les instructions sur la machine avant d'essayer de procéder à son assemblage et de l'utiliser.

Symboles	Descriptions	Symboles	Descriptions
	LIRE LE OU LES MANUELS D'UTILISATION – Lire, comprendre et suivre toutes les consignes de sécurité du ou des manuels avant d'essayer d'assembler et d'utiliser la machine.		ALERTE DE SÉCURITÉ – Indique une précaution, un avertissement ou un danger.
	AVERTISSEMENT! Ne pas utiliser la machine sous la pluie ou par forte humidité.		PORT OBLIGATOIRE DE LUNETTES DE SÉCURITÉ ET DE SERRE-TÊTE ANTIBRUIT – Pour éviter de se blesser, porter des protecteurs d'oreille et des lunettes de sécurité.
	Porter des gants de protection et des chaussures antidérapantes pour utiliser la machine et manipuler les débris.		DANGER! Lames rotatives – Maintenir les mains et les pieds éloignés des pièces mobiles.
	Maintenir les spectateurs à bonne distance de la zone de travail.		La projection d'objets ramassés par les dents du rouleau peut provoquer de graves blessures.
	Inspecter la zone de travail avant utilisation de la machine et retirer tout ce qui peut être rejeté par la machine. Si un objet caché est découvert pendant le scarifiage ou l'aération par ratissage, arrêter la machine et retirer l'objet.		Faire preuve d'une extrême PRUDENCE en entamant une marche arrière ou en tirant la machine vers soi.
	DÉBRANCHER! Retirer le cordon de la prise avant tout nettoyage ou toute vérification d'entretien.		DÉBRANCHER! Retirer immédiatement le cordon de la prise s'il est endommagé ou entaillé.
	Ne pas pousser la machine en descendant des escaliers.		Tenir les mains et les pieds éloignés des pièces tournantes.
	Double isolation.		

Apprenez à mieux connaître votre scarificateur-aérateur électrique

Lisez attentivement le manuel d'utilisation et les consignes de sécurité avant d'utiliser le scarificateur-aérateur. Comparez l'illustration ci-dessous avec votre machine pour vous familiariser avec l'emplacement des différents réglages et commandes. Conservez ce manuel pour y faire éventuellement référence dans le futur et relisez-le avant chaque saison de déchaumage.



- | | | |
|---|--------------------------------------|---|
| 1. Cadre supérieur de guidon | 7. Boulon d'arrêt (2) | 14. Levier de réglage de profondeur de scarifiage/ratissage |
| 2. Bouton et boulon d'ensemble guidon supérieur (2) | 8. Assise de coussinet | 15. Sac à chaume |
| 3. Tube intermédiaire de guidon (2) | 9. Rouleau scarificateur | 16. Serre-câble (2) |
| 4. Bouton et boulon d'ensemble guidon inférieur (2) | 10. Rouleau d'aération par ratissage | 17. Cordon d'alimentation |
| 5. Tube inférieur de guidon (2) | 11. Clé hexagonale | 18. Boîtier d'interrupteurs |
| 6. Volet d'éjection | 12. Roue avant (2) | 19. Bouton-poussoir de sécurité |
| | 13. Roue arrière (2) | 20. Levier marche/arrêt |

Données techniques

Tension nominale	120 V ~ 60 Hz
Moteur	12 A
Régime à vide	3 000 tr/min
Largeur max. de ratissage	32 cm
Profondeur de scarifiage †	-10 mm – 0 mm
Profondeur de ratissage †	0 mm – 5 mm
Réglage de profondeur	4 positions
Capacité du sac à chaume	30 l
Rouleau d'aération par ratissage	21 dents de ratissage à ressort en acier 1,5 mm d'épaisseur et 30 mm de longueur
Rouleau scarificateur	22 lames tranchantes 130 mm de longueur
Taille des roues	Avant : 20 cm Arrière : 10 cm
Poids net	9,6 kg

† La valeur négative pour la profondeur de scarifiage/ratissage indique que les dents/lames ratissent au-dessous du niveau du sol (autrement dit, elles pénètrent dans la couche de terre).

Déballage

Contenu de la caisse

- Scarificateur-aérateur
- Bouton et boulon de guidon (4)
- Vis cruciforme (2)
- Cadre supérieur de guidon
- Tube intermédiaire de guidon (2)
- Tube inférieur de guidon (2)
- Sac à chaume
- Boîtier d'interrupteurs
- Serre-câble (2)
- Clé hexagonale
- Rouleau scarificateur (préassemblé)
- Rouleau d'aération par ratissage
- Manuel et carte d'enregistrement

1. Retirez soigneusement le scarificateur-aérateur électrique de la caisse et inspectez-le pour vérifier que tous les éléments énumérés ci-dessus sont fournis.
2. Inspectez soigneusement le contenu pour vous assurer qu'aucun élément n'a été brisé ou endommagé pendant le transport. Si vous constatez que des pièces manquent ou sont endommagées, NE PAS retourner la machine au magasin. Veuillez appeler le service à la clientèle Snow Joe® + Sun Joe® au 1-866-SNOWJOE (1-866-766-9563).

REMARQUE : ne jetez pas la caisse d'expédition et l'emballage tant que vous n'êtes pas prêt à utiliser le scarificateur-aérateur électrique. L'emballage est fabriqué dans des matériaux recyclables. Éliminez ces matériaux de façon appropriée et conformément à la réglementation ou conservez l'emballage pour le remisage de longue durée de la machine.

IMPORTANT! Cette machine et son emballage ne sont pas des jouets. Ne laissez pas les enfants jouer avec les sacs en plastique, les feuilles métalliques ou les petites pièces. Ces éléments peuvent être avalés et présentent un danger de suffocation!

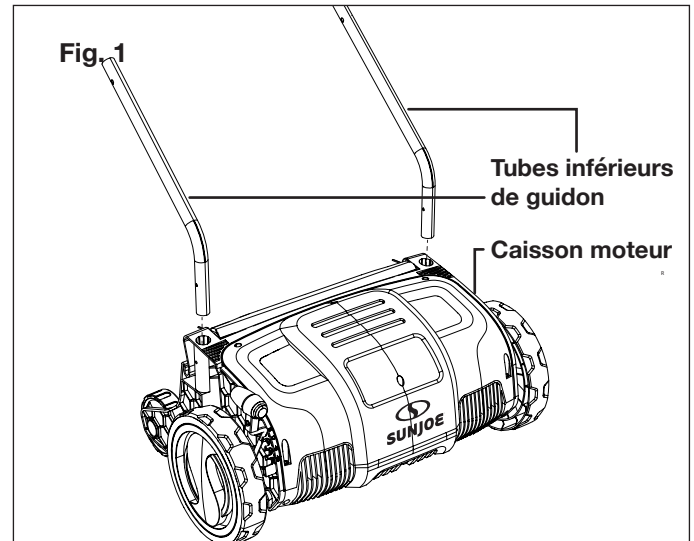
Assemblage

⚠ AVERTISSEMENT! Ne pas brancher le scarificateur-aérateur sur le secteur tant que l'assemblage n'est pas terminé. Ne pas tenir compte de cet avertissement peut être à l'origine d'un démarrage accidentel et de graves dommages corporels.

Portez toujours des gants pendant l'assemblage.

Assemblage du guidon

1. Insérez les tubes inférieurs de guidon dans le caisson moteur et attachez-les à l'aide des deux vis cruciformes (Fig. 1 et 2).



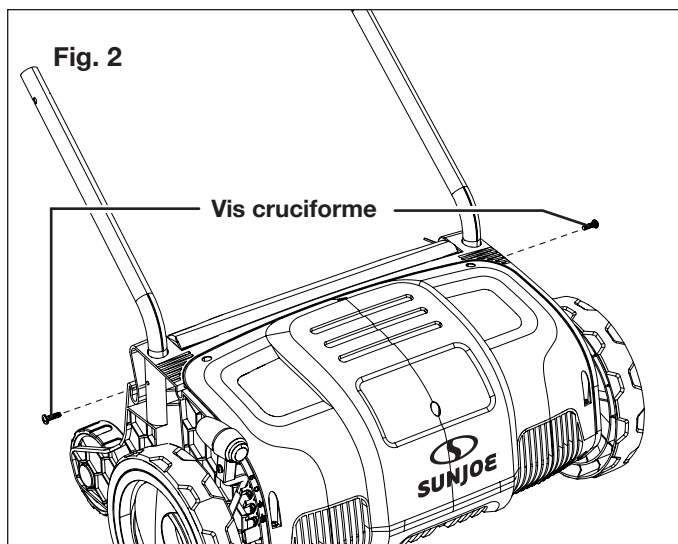


Fig. 2

Vis cruciforme

2. Attachez les deux tubes intermédiaires de guidon aux tubes inférieurs de guidon à l'aide du premier jeu de boutons et de boulons. Serrez les boutons de chaque côté pour bien attacher les tubes inférieurs et intermédiaires de guidon (Fig. 3).

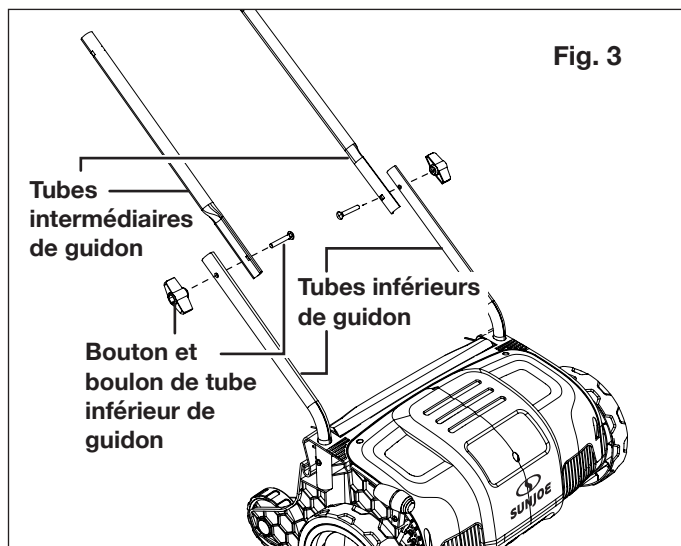


Fig. 3

3. Faites glisser le boîtier d'interrupteurs du côté gauche du cadre supérieur de guidon jusqu'à ce qu'il se mette en place en s'encliquetant (Fig. 4).

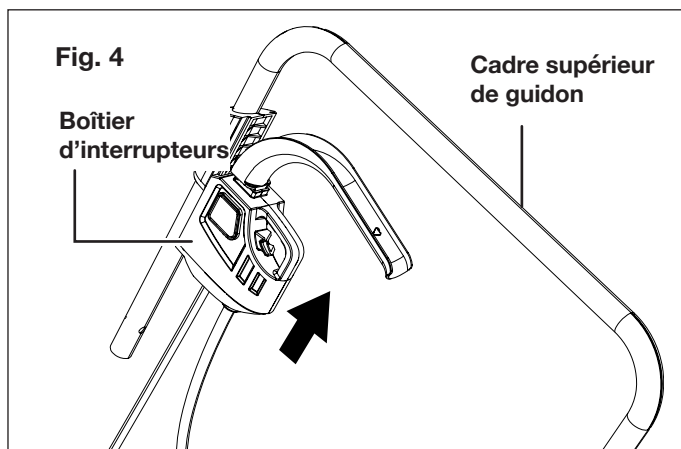


Fig. 4

Cadre supérieur de guidon

Boîtier d'interrupteurs

4. Raccordez l'ensemble guidon supérieur aux tubes intermédiaires à l'aide du second jeu de boutons et de boulons. Serrez les boutons de chaque côté pour bien attacher les ensembles guidon (Fig. 5).

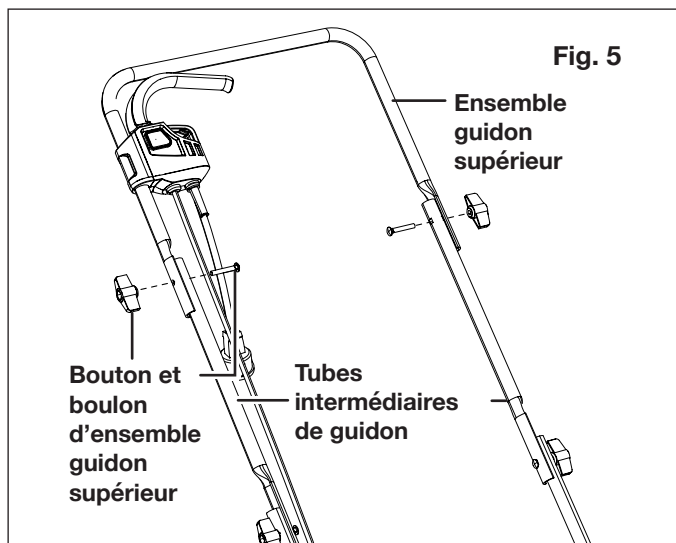


Fig. 5

Ensemble guidon supérieur

Bouton et boulon d'ensemble guidon supérieur

Tubes intermédiaires de guidon

5. Attachez le cordon sur les tubes intermédiaire et inférieur de guidon à l'aide des serre-câbles (Fig. 6).

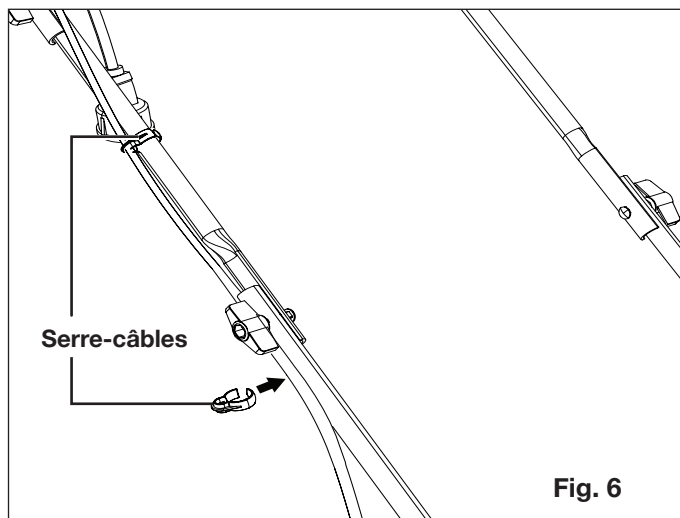


Fig. 6

Serre-câbles

Ensemble sac à chaume

⚠ AVERTISSEMENT! Ne pas essayer d'utiliser la machine sans avoir attaché au préalable le sac à chaume. Des débris volants pourraient présenter un danger.

⚠ AVERTISSEMENT! Avant d'attacher ou de vider le sac à chaume, le moteur de la machine doit être coupé et le dispositif de coupe doit s'être arrêté de tourner.

⚠ AVERTISSEMENT! Ne jamais utiliser le scarificateur-aérateur sans que le sac à chaume soit solidement attaché.

REMARQUE : le sac à chaume, quand il est plein, réduit le rendement de cette machine.

Attachez le sac à chaume au scarificateur-aérateur de pelouse avant de l'utiliser.

1. Levez le volet d'éjection et suspendez le sac à chaume par les crochets d'attache (Fig. 7).

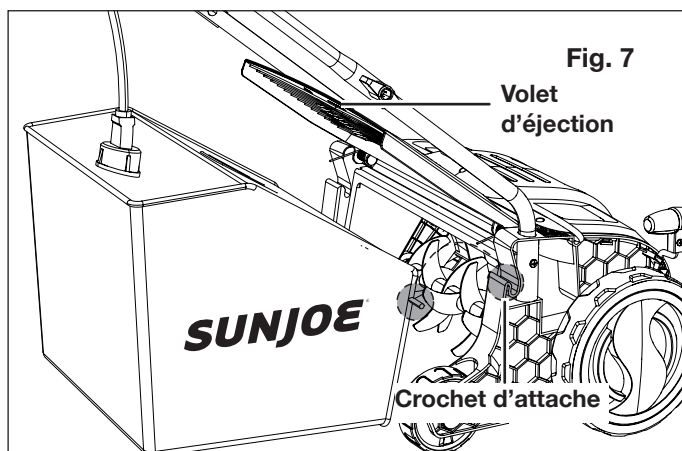


Fig. 7

Volet d'éjection

Crochet d'attache

Retrait et vidage du sac à chaume

Videz fréquemment le sac à chaume quand vous l'utilisez. N'attendez pas qu'il soit complètement rempli. Nous recommandons de le vider quand il est à moitié plein.

1. Levez le volet d'éjection et tirez le sac à chaume pour le décrocher des crochets d'attache.
2. Videz le contenu du sac dans une poubelle adaptée. Remplacez le sac dans sa position initiale avant de recommencer à utiliser la machine.

Utilisation prévue

1. Ce scarificateur-aérateur est conçu pour un moteur de 12 A. En fonction de l'accessoire de coupe qui est posé dessus, cette machine est destinée à scarifier et à éliminer le chaume des pelouses ou à aérer par ratissage un jardin chez soi, et en tant que loisir.
2. Quand la machine est utilisée pour scarifier, elle travaille en grattant à travers et entre l'herbe à l'aide de petites fourches spécialement adaptées qui ramassent et éliminent les matériaux indésirables de la pelouse tout en laissant les brins d'herbe intacts. En même temps, la machine scarifie le sol pour qu'il soit mieux aéré.
3. Quand la machine est utilisée pour aérer par ratissage, de fines épingles grattent la surface du gazon tout en ramassant simultanément les débris légers pour que la pelouse absorbe mieux l'oxygène et soit bien aérée et drainée.
4. Cette machine ne doit pas être utilisée par temps de pluie et pour tondre de l'herbe sèche, humide ou exceptionnellement haute, par exemple de l'herbe de pâturage, ou pour déchiqueter des feuilles.
5. Cette machine est uniquement destinée à un usage domestique et privé, et non à un usage commercial ou marchand. Elle ne doit pas être utilisée à d'autres fins que celles décrites ici.

Utilisation

Réglage de la profondeur de coupe

⚠️ AVERTISSEMENT! Le moteur de la machine doit être coupé et elle doit être débranchée du secteur avant de procéder au réglage des dents.

Régalez la profondeur en fonction des besoins de votre pelouse. La profondeur la mieux adaptée dépend du type de pelouse et de la hauteur réelle de l'herbe.

1. Tirez le levier de réglage de profondeur pour le dégager de la roue, puis déplacez-le vers l'avant ou vers l'arrière pour régler la profondeur de coupe (Fig. 8).

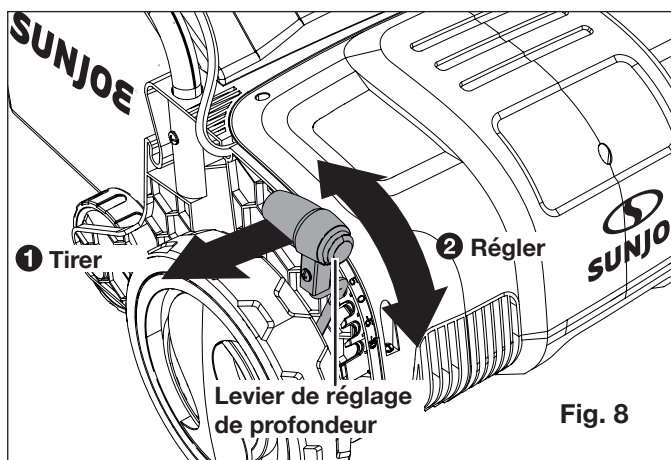


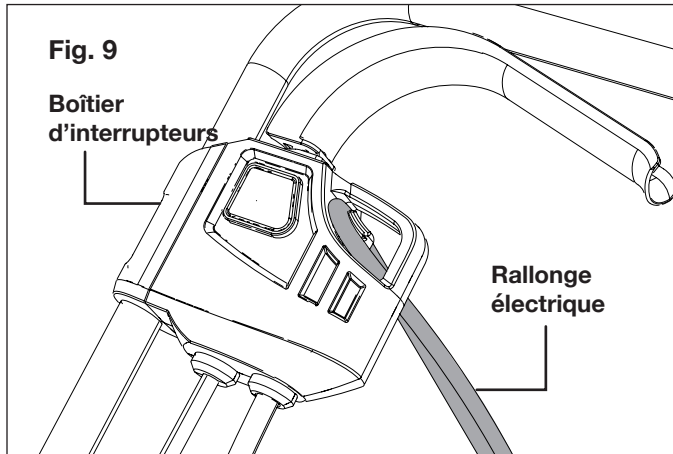
Fig. 8

2. Régalez le levier à l'une des quatre positions. Lisez la profondeur réglée sur la graduation.

Réglage	Profondeur	Application
Minimal	5 mm	Pour l'aération par ratissage d'une pelouse saine. Ne pas utiliser pour scarifier.
Intermédiaire	0 mm	Pour le transport, le remisage, le scarifiage et l'aération par ratissage.
Profond	-5 mm	Pour le scarifiage, non recommandé pour l'aération par ratissage.
Profond	-10 mm	Pour le scarifiage, ne pas utiliser pour l'aération par ratissage.

Branchement électrique

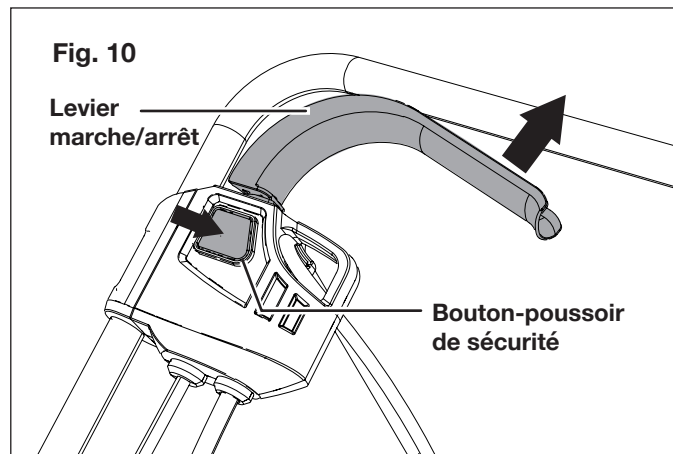
Faites une boucle avec la rallonge électrique et poussez-la à travers la fente pratiquée dans le boîtier d'interrupteurs en l'introduisant du côté opposé au crochet de retenue (Fig. 9). Branchez le cordon de la machine dans une rallonge électrique spécialement conçue pour l'extérieur (voir le Tableau de méthode d'attache de rallonge électrique en page 39).



Démarrage et arrêt

⚠ AVERTISSEMENT! Avant de mettre en marche le scarificateur-aérateur de pelouse, vérifier qu'il n'est en contact avec aucun corps étranger. Maintenir les pieds et les mains à bonne distance des dents en rotation et de l'ouverture d'éjection. Toute personne ne tenant pas compte de ces avertissements s'expose à de graves blessures.

1. Pour démarrer, appuyez sur le bouton-poussoir de sécurité en le maintenant enfoncé et en tirant en même temps le levier marche/arrêt vers vous. Une fois que la machine a démarré, relâchez le bouton-poussoir de sécurité et commencez à scarifier ou déchaumer (Fig. 10).



2. Pour arrêter le scarificateur-aérateur de pelouse, relâchez le levier marche/arrêt.

⚠ AVERTISSEMENT! Le rouleau à dents continue à tourner pendant un bref instant une fois que le moteur de la machine a été coupé. Ne pas basculer ou transporter la machine quand le moteur tourne encore et ne pas toucher le rouleau pendant qu'il est encore en rotation. Toute personne ne tenant pas compte de cet avertissement s'expose à de graves blessures.

Protection contre les surcharges

La protection contre les surcharges s'activera dans les circonstances suivantes :

1. Si des matériaux scarifiés se sont accumulés autour du dispositif de coupe.
2. Si les matériaux scarifiés sont plus gros que la capacité du moteur.
3. Si la résistance exercée contre le dispositif de coupe est trop forte.

Quand le coupe-circuit s'est déclenché, arrêtez la machine et débranchez-la.

Laissez la machine se refroidir et éliminer la cause de la surcharge avant d'utiliser de nouveau la machine.

Généralités concernant l'utilisation

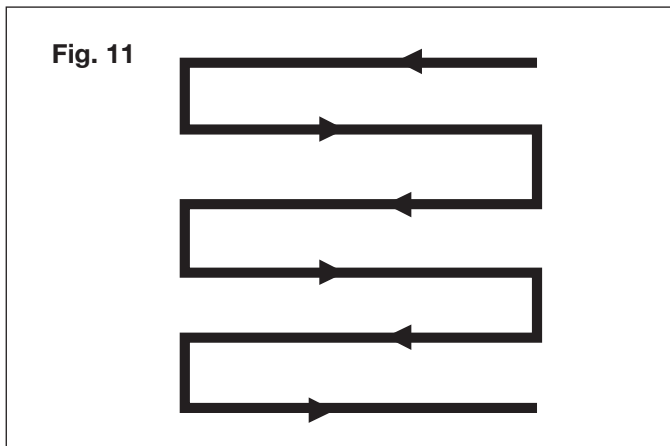
⚠ AVERTISSEMENT! Arrêter le moteur si la machine heurte un corps étranger. Couper le moteur de la machine, la débrancher et la laisser se refroidir. Inspecter soigneusement la machine pour vérifier si elle n'est pas endommagée. Faire réparer le moindre dommage avant d'utiliser de nouveau la machine.

⚠ AVERTISSEMENT! Une machine qui vibre trop pendant son utilisation est signe qu'elle est endommagée. La machine doit être inspectée et réparée dans les meilleurs délais.

- Avant chaque utilisation, inspectez la machine, son cordon d'alimentation et sa fiche ainsi que les accessoires pour vérifier qu'ils ne sont pas endommagés. N'utilisez pas la machine si elle est endommagée ou présente des signes d'usure.
- Revérifiez que les accessoires sont correctement attachés.
- Poussez la machine en avant en tenant le guidon. Pour assurer une bonne prise en main, veillez à ce que le guidon reste sec.
- Assurez-vous que les ouvertures d'aération ne sont pas bouchées. Au besoin, nettoyez-les à l'aide d'une brosse souple. Les ouvertures d'aération bouchées peuvent faire surchauffer la machine et l'endommager.
- Arrêtez immédiatement la machine si vous êtes dérangé en plein travail par des personnes pénétrant dans la zone de travail. Avant de détourner votre attention, laissez la machine s'arrêter complètement.
- Ne vous forcez pas vous-même. Prenez des pauses régulières pour être certain de pouvoir vous concentrer sur le travail en cours et d'avoir le contrôle total de la machine.
- Tondez la pelouse d'abord et fertilisez-la ensuite.
- Assurez-vous que la pelouse est débarrassée des pierres, des bouts de bois, des fils métalliques et de tout ce qui jonche le sol et qui pourrait endommager la machine ou son moteur.
- Sélectionnez la profondeur de coupe adaptée à la hauteur réelle de l'herbe.
- N'utilisez pas cette machine sur une pelouse mouillée, car l'herbe aurait tendance à se coller sur le dessous de caisse de

la machine, empêchant ainsi l'éjection normale des matériaux ramassés; ceci pourrait vous faire glisser ou tomber.

- Poussez lentement la machine vers l'avant. Déplacez la machine à une vitesse appropriée. Ne la déplacez pas trop vite pour empêcher que la goulotte se bouche et que le moteur se surcharge inutilement.
- Travaillez en faisant chevaucher légèrement les rangées. La méthode la plus efficace pour scarifier/aérer les pelouses consiste à avancer en ligne droite en commençant par un côté. Ceci permettra d'avoir des rangées uniformes et d'être certain que le sol est scarifié/aéré sans qu'un seul endroit ait été oublié (Fig. 11).



- Faites des cercles autour des massifs de fleurs. Quand vous atteignez un massif de fleurs au milieu de la pelouse, travaillez sur une rangée ou deux en faisant le tour du massif.
- Faites particulièrement attention quand vous changez de direction.

Scarifiage

Quand vous scarifiez, tenez compte de la météo. Au printemps, entre avril et mai, scarifiez la pelouse en réglant la machine sur une grande profondeur, car la pelouse peut mieux se régénérer à cette période. Quand l'été est humide, scarifiez à nouveau à la fin de l'été en réglant la machine sur une petite profondeur. Ne scarifiez pas pendant les périodes de grande chaleur. Quand l'été est sec et sans pluie, ne scarifiez pas une seconde fois en automne.

Aération par ratissage

Pour qu'une pelouse saine se développe au printemps, il est nécessaire que de grandes quantités d'air pénètrent dans la zone autour des racines de l'herbe. Nous recommandons d'aérer la pelouse toutes les 4 à 6 semaines, en fonction de l'état de la pelouse.

Entretien

⚠️ AVERTISSEMENT! Avant d'entreprendre une réparation quelconque ou d'intervenir sur la machine, vous devez vous assurer que celle-ci a été débranchée. Les travaux d'entretien et de réparation autres que ceux décrits dans ce manuel d'instructions peuvent être effectués uniquement par un spécialiste qualifié!

Entretien et remisage

Pour que votre machine reste fiable et puisse être utilisée pendant de longues années, effectuez régulièrement les opérations d'entretien suivantes. Les travaux d'entretien et de nettoyage de la machine ainsi que la dépose des dispositifs de protection peuvent uniquement être effectués une fois que le moteur a été coupé et que la prise a été débranchée.

- Maintenez serrés tous les écrous, tous les boulons et toutes les vis pour vous assurer que la machine est en bon état de marche et peut être utilisée sans danger.
- Avant de la remiser à l'intérieur, laissez la machine se refroidir.
- Inspectez fréquemment le sac à chaume pour vérifier qu'il n'est ni usé ni détérioré.
- Examinez régulièrement la machine et, par mesure de sécurité, remplacez les pièces usées ou endommagées.
- Vérifiez que les couvercles et les dispositifs de protection ne sont pas endommagés et sont bien attachés. Effectuez l'entretien ou les réparations nécessaires avant d'utiliser la machine.
- Si le dispositif de coupe venait à tomber en panne malgré les soins apportés au cours de la fabrication et les tests, sa réparation devrait être effectuée par un centre de réparation agréé.
- Ne nettoyez pas la machine quand le moteur tourne.
- Pour que vous puissiez travailler en toute sécurité avec cette machine, assurez-vous que tous les éléments d'attache (vis, écrous, etc.) sont serrés en permanence.
- Inspectez fréquemment la machine pour vérifier qu'elle ne présente pas de signes d'usure. Remplacez les pièces usées et endommagées.
- Remisez votre machine dans un endroit sec. Pour que votre machine puisse être utilisée pendant de longues années, les vis et les boulons doivent tous être nettoyés et huilés ensuite.
- Nettoyez la machine à l'aide d'une brosse ou d'un chiffon. N'utilisez ni solvants ni eau pour retirer la saleté.
- Le dispositif de coupe est le composant le plus susceptible de s'user. C'est pourquoi vous devez vérifier à intervalles réguliers l'état du dispositif de coupe et de sa fixation.
 - Si le dispositif de coupe est usé ou émoussé, il doit être immédiatement remplacé.
 - Si la machine commence à vibrer de façon excessive, c'est que le dispositif de coupe n'est pas bien équilibré ou alors il a subi des déformations dues à des chocs. Dans ce cas, il doit être réparé ou remplacé.

Remplacement/changement du dispositif de coupe

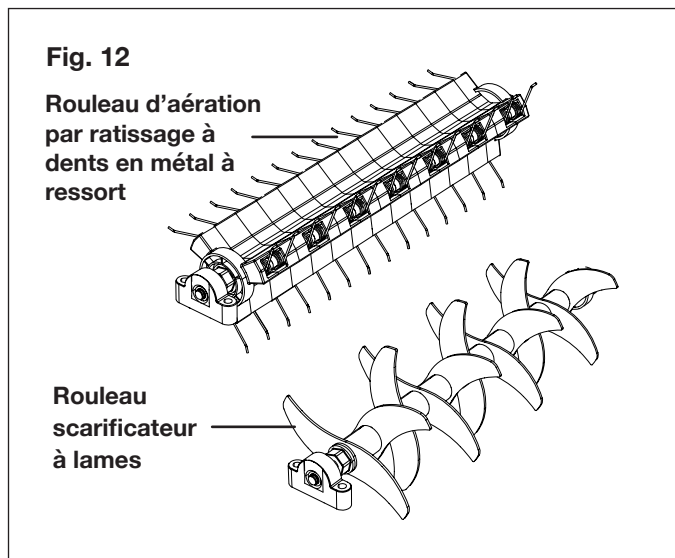
⚠️ AVERTISSEMENT! Avant de changer ou de remplacer le dispositif de coupe, toujours couper le moteur de la machine, la débrancher et la laisser refroidir.

⚠️ AVERTISSEMENT! Le dispositif de coupe est très acéré et devient chaud pendant son utilisation. Le manipuler avec précaution.

⚠️ AVERTISSEMENT! Pour éviter les blessures, par exemple les brûlures et les coupures, porter des gants de sécurité pour manipuler le dispositif de coupe.

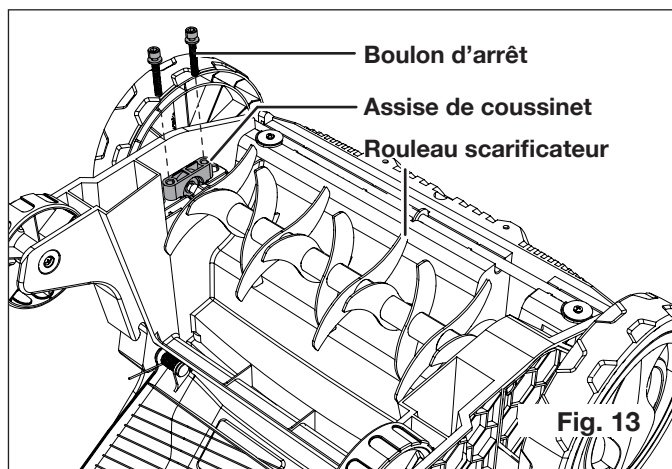
⚠️ AVERTISSEMENT! Avant d'utiliser la machine, s'assurer que tous les boulons sont serrés. Ne pas utiliser la machine si des boulons manquent, sont desserrés ou endommagés.

La machine a deux fonctions, le scarifiage et l'aération par ratissage. Le rouleau scarificateur est préassemblé sur la machine. Le rouleau d'aération par ratissage est inclus dans la caisse d'expédition. Le rouleau peut être changé en fonction du travail que l'on souhaite faire (Fig. 12).

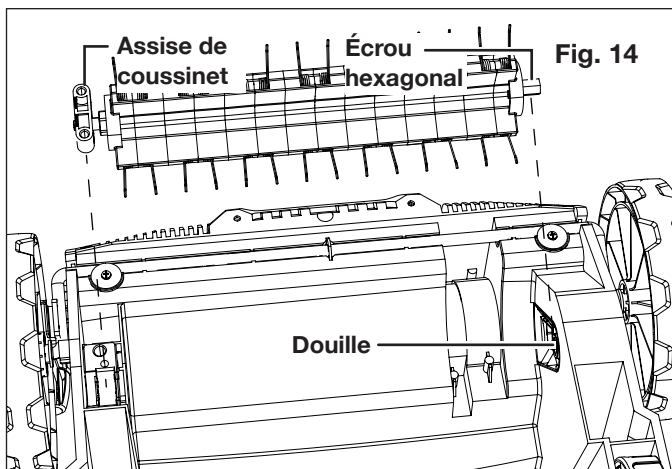


⚠️ AVERTISSEMENT! Avant de procéder à une tâche d'entretien quelconque, toujours débrancher l'alimentation électrique de la machine et attendre que le rouleau à dents s'arrête complètement. Porter des gants de protection pour la manipulation des dents.

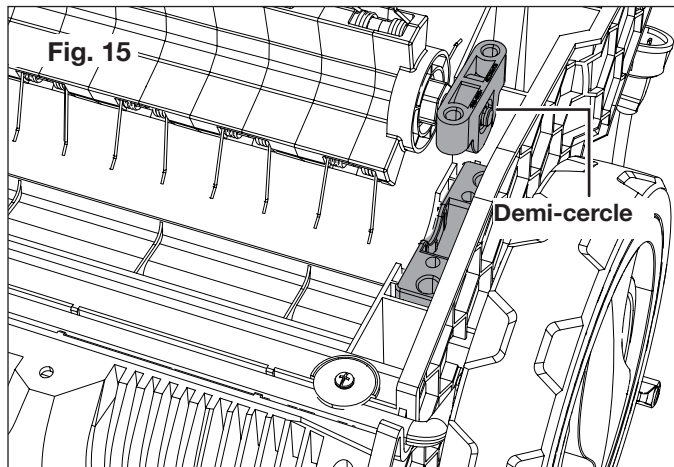
1. Retirez le sac à chaume.
2. Pour accéder au dessous de caisse, retournez la machine sur une surface plane et stable.
3. Desserrez les deux boulons d'arrêt à l'aide de la clé hexagonale fournie, retirez-les en même temps que le dispositif de coupe amovible (Fig. 13).



4. Pour retirer le dispositif de coupe, levez d'abord l'assise de coussinet et tirez-le ensuite pour le dégager de l'arbre d'entraînement.
5. Alignez et insérez l'autre dispositif de coupe : faites glisser l'écrou hexagonal dans la douille de l'arbre d'entraînement et attachez l'assise de coussinet au support à l'aide des boulons d'arrêt (Fig. 14).



⚠️ AVERTISSEMENT! S'assurer que le dispositif de coupe (rouleau d'aération par ratissage) est inséré de façon appropriée. S'assurer que le demi-cercle sur l'assise de coussinet du rouleau s'enfonce dans la machine. Si le demi-cercle fait face vers le haut, c'est qu'il a été mal inséré (Fig. 15).



REMARQUE : si vous avez la moindre question, n'hésitez pas à appeler le service à la clientèle Snow Joe® + Sun Joe® au 1-866-766-9563 (1-866-SNOWJOE) pour de l'aide.

Après utilisation

1. Coupez le moteur de la machine, débranchez-la et laissez-la se refroidir.
2. Inspectez, nettoyez et remisez la machine comme indiqué ci-dessous.

Nettoyage et remisage

1. Avant le remisage, nettoyez soigneusement l'extérieur de la machine à l'aide d'une brosse souple et d'un chiffon. N'utilisez ni eau, ni solvants, ni produits à polir.
2. Pour nettoyer la zone du rouleau, retournez le scarificateur-aérateur sur son flanc.

REMARQUE : après une utilisation prolongée ou dans le cas où l'herbe est humide, l'herbe coupée a tendance à coller et à s'accumuler autour du rouleau, ce qui peut entraîner une surchauffe. Pour ne pas avoir ce problème, retirez l'herbe coupée du rouleau après chaque utilisation.

3. Remisez le scarificateur-aérateur dans un endroit sec. Ne mettez rien sur la partie supérieure du scarificateur-aérateur pendant son remisage.

Sac à chaume

1. Avant chaque utilisation, inspectez le sac à chaume. Ne l'utilisez pas si vous constatez qu'il est endommagé.
2. Après utilisation, nettoyez le sac à chaume. Pour éviter le développement de moisissures, laissez sécher complètement le sac à chaume avant de le ranger.

Transport

1. Coupez le moteur de la machine et débranchez-la avant de la transporter où que ce soit.
2. Attachez les dispositifs de protection pendant le transport, si la machine en est équipée.
3. Réglez la profondeur de coupe à la position de transport (consultez la section « Réglage de la profondeur de coupe » en page 46).
4. Transportez toujours la machine par son guidon.
5. Protégez la machine contre tout choc brutal ou les fortes vibrations pouvant se produire pendant son transport dans un véhicule.
6. Attachez la machine pour l'empêcher de glisser ou de tomber par-dessus bord.

Service après-vente et assistance technique

Si votre scarificateur-aérateur électrique AJ798E nécessite une intervention technique ou un entretien, veuillez appeler le 1-866-SNOWJOE (1-866-766-9563) pour de l'aide.

Numéros de modèle et de série

Lorsque vous communiquez avec l'entreprise pour commander des pièces ou prendre rendez-vous pour une intervention technique chez un revendeur agréé, vous devez fournir les numéros de modèle et de série qui se trouvent sur l'étiquette autocollante apposée sur le carter de la machine. Copiez ces numéros dans l'espace réservé ci-dessous.

Veillez noter les numéros suivants sur le carter ou le guidon de votre nouvelle machine :

N° de modèle :

A | J | 7 | 9 | 8 | E |

N° de série :

| | | | | | | | | | | | | | | | | | | | | | | |

Dépannage

⚠️ AVERTISSEMENT! Procéder uniquement aux étapes décrites dans ces instructions!

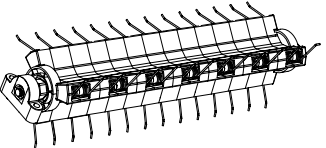
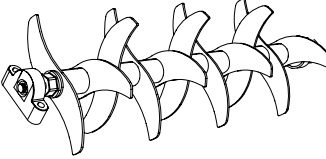
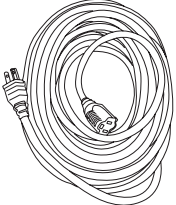
Si vous ne pouvez pas résoudre le problème vous-même, toute inspection, toute réparation ou tout entretien supplémentaire doit être effectué par un centre d'entretien et de réparation agréé ou par un spécialiste de même niveau de qualification!

Les dysfonctionnements, perturbations ou dommages soupçonnés sont souvent à l'origine de problèmes que l'utilisateur peut régler lui-même. Pour inspecter la machine, suivez les directives de dépannage ci-dessous. Dans la plupart des cas, le problème peut être résolu rapidement et le scarificateur-aérateur électrique peut être remis en état de marche.

Problème	Causes possibles	Solutions
Le moteur ne démarre pas	<ul style="list-style-type: none"> a) Machine non branchée sur une source d'alimentation b) Cordon d'alimentation ou fiche défectueuse c) Autre panne électrique de la machine d) Bouton de déverrouillage non enfoncé e) La machine est surchargée 	<ul style="list-style-type: none"> a) Branchez la machine sur une source d'alimentation b) Communiquez avec un réparateur agréé c) Communiquez avec un réparateur agréé d) Appuyez d'abord sur le bouton de déverrouillage, puis pressez le levier marche/arrêt e) Nettoyez l'herbe coupée accumulée autour du rouleau. Patientez un instant pour que la machine se refroidisse, puis redémarrez-la
La machine ne peut pas atteindre sa pleine puissance	<ul style="list-style-type: none"> a) Rallonge électrique non adaptée à une utilisation sur cette machine b) Les ouvertures d'aération sont bouchées 	<ul style="list-style-type: none"> a) Utilisez une rallonge électrique appropriée b) Nettoyez les ouvertures d'aération
Résultats insatisfaisants	<ul style="list-style-type: none"> a) Dispositif de coupe usé b) Les matériaux scarifiés dépassent la capacité c) La profondeur de scarifiage n'est pas appropriée 	<ul style="list-style-type: none"> a) Remplacez le rouleau à dents (voir page 49) b) Scarifiez uniquement des matériaux correspondant à la capacité de la machine c) Réglez la profondeur

Accessoires en option

⚠️ AVERTISSEMENT! TOUJOURS utiliser des pièces de rechange et des accessoires Snow Joe® + Sun Joe® homologués. NE JAMAIS utiliser des pièces ou des accessoires qui ne sont pas destinés à être utilisés avec ce scarificateur-aérateur électrique. Communiquez avec Snow Joe® + Sun Joe® si vous n'êtes pas sûr que l'utilisation d'une pièce de rechange ou d'un accessoire particulier avec votre scarificateur-aérateur électrique soit sans danger. L'utilisation de tout autre accessoire ou de toute autre pièce détachée peut être dangereuse et pourrait provoquer des dommages corporels ou mécaniques.

Accessoires	Description	Modèle
	Dents de rechange pour aérateur	AJ798E-DTNS
	Lames de rechange pour scarificateur	AJ798E-SCRF
	Rallonge électrique de 15 m et de calibre 14 Snow Joe® + Sun Joe® SJTW-A à extrémités lumineuses	PJEXT50-B

REMARQUE : les accessoires sont sous réserve de changements sans que Snow Joe® + Sun Joe® soit pour autant tenue de donner un préavis desdits changements. Les accessoires peuvent être commandés en ligne sur le site sunjoe.com ou par téléphone en appelant le service à la clientèle Snow Joe® + Sun Joe® au 1-866-SNOWJOE (1-866-766-9563).



LA PROMESSE DE SNOW JOE® + SUN JOE® À SES CLIENTS

Vous êtes notre client et Snow Joe, LLC (« Snow Joe ») **SE MET EN QUATRE** pour vous servir. Nous nous efforçons de vous rendre l'utilisation de nos produits aussi plaisante que possible. Malheureusement, il peut arriver qu'un produit Snow Joe®, Sun Joe® ou Aqua Joe (« Produit ») ne fonctionne pas ou se casse dans des conditions d'utilisation normales. Nous pensons qu'il est important que vous sachiez ce que vous pouvez attendre de nous. C'est pourquoi nous avons une garantie limitée (« Garantie ») pour nos Produits.

NOTRE GARANTIE :

Snow Joe déclare et garantit que les Produits neufs, d'origine, électriques ou non électriques sont exempts de vices de matière ou de fabrication et, lorsqu'ils font l'objet d'une utilisation résidentielle et ménagère ordinaire, les garantit pendant une période de deux ans à compter de la date d'achat au détail par l'acheteur primitif auprès de Snow Joe ou d'un des revendeurs agréés de Snow Joe, preuve d'achat à l'appui. Étant donné que Snow Joe ne peut pas contrôler la qualité de ses Produits vendus par des revendeurs non agréés, sauf stipulation contraire de la loi, la présente Garantie ne couvre pas les Produits achetés auprès de vendeurs non agréés. Si votre Produit ne fonctionne pas ou si une pièce spécifique couverte par les modalités de la présente Garantie fait l'objet d'un problème quelconque, Snow Joe choisira (1) de vous envoyer une pièce de rechange gratuite, (2) de remplacer le Produit par un produit neuf ou comparable, gratuitement, ou (3) de réparer le Produit. Génial, n'est-ce pas?

La présente Garantie vous donne des droits judiciaires spécifiques, et vous pouvez également avoir d'autres droits qui peuvent varier d'une province ou d'un territoire à l'autre.

ENREGISTREMENT DU PRODUIT :

Snow Joe vous recommande vivement d'enregistrer votre Produit. Vous pouvez l'enregistrer en ligne sur le site snowjoe.com/register, ou en imprimant et en envoyant par courrier une carte d'enregistrement offerte en ligne sur notre site Web, ou par téléphone en appelant notre Service à la clientèle au **1-866-SNOWJOE (1-866-766-9563)**, ou encore en nous envoyant un courriel à l'adresse help@snowjoe.com. Le fait de ne pas enregistrer l'achat de votre Produit n'a aucune conséquence sur vos droits concernant la garantie. Toutefois, l'enregistrement de votre Produit permettra à Snow Joe de mieux répondre au moindre besoin que vous pourriez avoir en matière de service à la clientèle.

QUI PEUT REVENDIQUER LA COUVERTURE DE LA GARANTIE?

La présente Garantie est étendue par Snow Joe à l'acheteur et propriétaire primitif du Produit.

QU'EST-CE QUI N'EST PAS COUVERT?

La présente Garantie ne s'applique pas si le Produit a été utilisé commercialement, pour des travaux non résidentiels ou s'il fait l'objet d'une location. La présente Garantie ne s'applique pas non plus si le Produit a été acheté auprès d'un revendeur non agréé. La présente garantie ne couvre pas non plus les changements cosmétiques qui n'affectent pas le rendement. Les pièces d'usure comme les courroies, les tarières, les chaînes et les dents ne sont pas couvertes au titre de la présente Garantie et peuvent être achetées en ligne sur le site snowjoe.com ou en appelant le **1-866-SNOWJOE (1-866-766-9563)**.



sunjoe.com