



CORDLESS HANDHELD AUTO VAC

8.4V MAX* | USB CHARGE SYSTEM

OPERATOR'S MANUAL

A Division of Snow Joe®, LLC

Model AJV1000

Form No. SJ-AJV1000-880E-MR1

IMPORTANT!

Safety Instructions

All Operators Must Read These Instructions Before Use

Any electrical appliance can be dangerous if used incorrectly. Some of the safety precautions given in this manual apply generally to many appliances. Other warnings are specific to the use of this cordless handheld vacuum.

Always follow these safety guidelines. Failure to do so may result in electric shock, fire and/or serious personal injury.

General Safety

Before using, be sure that everyone using this tool reads and understands all safety instructions and other information contained in this manual. Save this manual and review it frequently prior to using this tool and when instructing others on the proper operating procedures.

Before using the handheld vacuum, take the time to familiarize yourself with the controls. Children should never be allowed access to the handheld vacuum.

Retain this manual for future reference.

⚠️ WARNING! To reduce the risk of electric shock, DO NOT expose to rain. Store indoors.

- 1. Dress properly.** Do not wear loose clothing or jewelry. Contain long hair. Keep your hair, loose clothing, fingers, and all parts of the body and clothing, away from openings and moving parts. Loose clothes, jewelry, or long hair can be caught in internal moving parts.
- 2. Do not overreach.** Keep proper footing and balance at all times. Proper footing and balance enables better control of the handheld vacuum in unexpected situations. Do not use on a ladder or unstable support.
- 3. Use safety equipment.** Dust mask must be used for appropriate conditions.
- 4. Do not allow children to operate the hand vacuum or play with handheld vacuum as a toy.** Close attention is necessary when used by or near children.
- 5. Use this handheld vacuum ONLY for its intended use as described in this manual.** Use only the attachments recommended in this manual.
- 6.** If the handheld vacuum is not working properly, has been dropped, damaged, left outdoors, or dropped into water, do not use. Contact Snow Joe® + Sun Joe® customer service center at 1-866-SNOWJOE (1-866-766-9563).
- 7.** Do not handle the USB charge cable and the charger adapter or the handheld vacuum with wet hands.
- 8.** Do not put any objects in ventilation openings. Do not use with any opening blocked. Keep openings free of dust, lint, hair, and anything that may reduce air flow.
- 9. NEVER** vacuum materials that are burning or smoking, such as hot coals, cigarette butts, matches, burning or smoking ashes, etc.
- 10. This unit is for dry vacuuming only.** Do not use to clean up liquids.
- 11. DO NOT** use to pick up flammable or combustible liquids, such as gasoline, or use in areas where they may be present.
- 12.** Do not use without the dust tank or the HEPA filter in place.
- 13.** Use extra care when using on stairs.
- 14.** Do not use to pick up hard objects such as nails, screws, coins, etc. Damage or injury could result.
- 15.** Do not incinerate this appliance even if it is severely damaged. The batteries can explode in a fire.
- 16.** This handheld vacuum does not have to be plugged into an electrical outlet, therefore it is always in operating condition. Be aware of possible hazards when using the handheld vacuum or when changing accessories.
- 17.** Batteries can explode in the presence of a source of ignition, such as excessive heat or a pilot light. To reduce the risk of serious personal injury, never use any cordless product in the presence of an open flame or temperature above 265 °F (130 °C). An exploded battery can propel debris and chemicals. If exposed, flush with water immediately.
- 18.** Protect your lungs. Wear a face or dust mask if the operation is dusty. Following this rule will reduce the risk of serious personal injury.
- 19.** Check for misalignment or binding of moving parts, breakage of parts, and any other condition that may affect the handheld vacuum's operation. If damaged, have the handheld vacuum serviced before using. Many accidents are caused by poorly maintained handheld vacuums.
- 20.** Use only accessories that are recommended by the manufacturer for your model. Accessories that may be suitable for one handheld vacuum may create a risk of injury when used on another handheld vacuum.

21. Do not let gasoline, oils, petroleum-based products, etc., come in contact with plastic parts. They contain chemicals that can damage, weaken, or destroy plastic.
22. This product contains no serviceable parts. Never attempt to remove or replace any parts other than those specified in this manual.
23. Do not run the handheld vacuum unattended.
24. Keep children and animals at a safe distance when using this appliance.
25. Do not use this vacuum with a torn filter or without the filter installed. Replace a damaged filter promptly.
26. Do not use or store near hazardous materials.

Battery Safety Warnings

This manual contains important safety and operating instructions for your battery and charger.

1. Before using, always check the charger, cable and plug. If defects are detected, do not use the charger; never open the charger. Thoroughly read all instructions and cautionary markings on the manual, the charger, and the cordless handheld vacuum.

⚠ WARNING! If the cordless handheld vacuum is cracked or damaged, do not insert the charging adapter into the power tool or plug the power tool into the mains outlet. There is a danger of electric shock or electrocution.

2. Protect the battery charger from rain and moisture. Water penetration in a battery charger increases the risk of electric shock.
3. Recharge only with the charger specified by the manufacturer (AJV1000-USBCHARGER). A charger that is suitable for one type of battery pack may create a risk of fire when used with another battery pack.
4. Under abusive conditions, liquid may be ejected from the battery; avoid contact. If contact accidentally occurs, flush with water. If liquid contacts eyes, additionally seek medical help. Liquid ejected from the battery may cause irritation or burns.
5. Do not use a battery pack or appliance that is damaged or modified. Damaged or modified batteries may exhibit unpredictable behavior resulting in fire, explosion or risk of injury.
6. This charger is ONLY intended to charge the rechargeable battery inside of the cordless handheld vacuum. Any other use poses a risk of fire, electric shock or electrocution.
7. Do not modify or attempt to repair the appliance or the battery pack except as indicated in the instructions for use and care.
8. Keep the battery charger clean. Contamination may increase the risk of electric shock.
9. Do not place any object on top of the charger or place the charger on a soft surface that may result in excessive internal heat. Keep the charger away from any heat source.





10. To reduce the risk of damaging the charger adapter and the USB cable, pull the charger adapter, not the USB cable, when disconnecting the charger from the electric outlet.
11. Make sure the USB cable is located in a safe place so that it will not be stepped on, tripped over or otherwise subjected to damage or stress.
12. An extension cord should not be used unless absolutely necessary. Using an improper extension cord poses a risk of fire, electric shock or electrocution.
13. Do not operate the adapter if it has received a sharp blow or has become damaged in any way. Contact the Snow Joe® + Sun Joe® customer service center at 1-866-SNOWJOE (1-866-766-9563) before continuing use.
14. Do not disassemble the charger adapter. Incorrect reassembly may pose a serious risk of electric shock or fire. If the battery or charger are damaged, contact an authorized Snow Joe® + Sun Joe® dealer or call the Snow Joe® + Sun Joe® customer service center at 1-866-SNOWJOE (1-866-766-9563) for assistance.
15. To reduce the risk of electric shock, unplug the charger from the outlet before cleaning the unit.
16. Never attempt to connect two (2) chargers together.
17. DO NOT store or use the tool and the charger in locations where the temperature may reach or exceed 104 °F (40 °C). Dangerous storing locations include outdoor sheds or metal buildings in the summer.
18. The charger is designed to operate on standard household electrical power (100 -240 V). Do not attempt to use it with any other voltage!
NOTE: The integrated battery is not fully charged out of the carton. Read the safety instructions and then follow the charging notes and procedures.
19. The longest life and best performance can be obtained if the integrated battery is charged when the air temperature is between 64.4 °F – 75.2 °F (18 °C – 24 °C). Do not charge the battery pack when the air temperature falls below 50 °F (10 °C) or above 104 °F (40 °C). Following these safety measures will prevent damage to the battery pack.
20. Do not incinerate the integrated battery even if it is seriously damaged or completely worn out. The battery can explode in a fire.

Service

1. Have servicing performed by a qualified repair person using only identical replacement parts. This will ensure that the safety of the product is maintained. If your power tool requires service, contact an authorized Snow Joe® + Sun Joe® dealer or call the Snow Joe® + Sun Joe® customer service center at 1-866-SNOWJOE (1-866-766-9563). Only identical replacement parts should be utilized for repairs. This will ensure that the safety of the power tool is maintained.
2. If the USB cable or the charger adapter is damaged, it must be immediately replaced to avoid a hazard. Contact the Snow Joe® + Sun Joe® customer service center at 1-866-SNOWJOE (1-866-766-9563) for assistance.

Safety Symbols

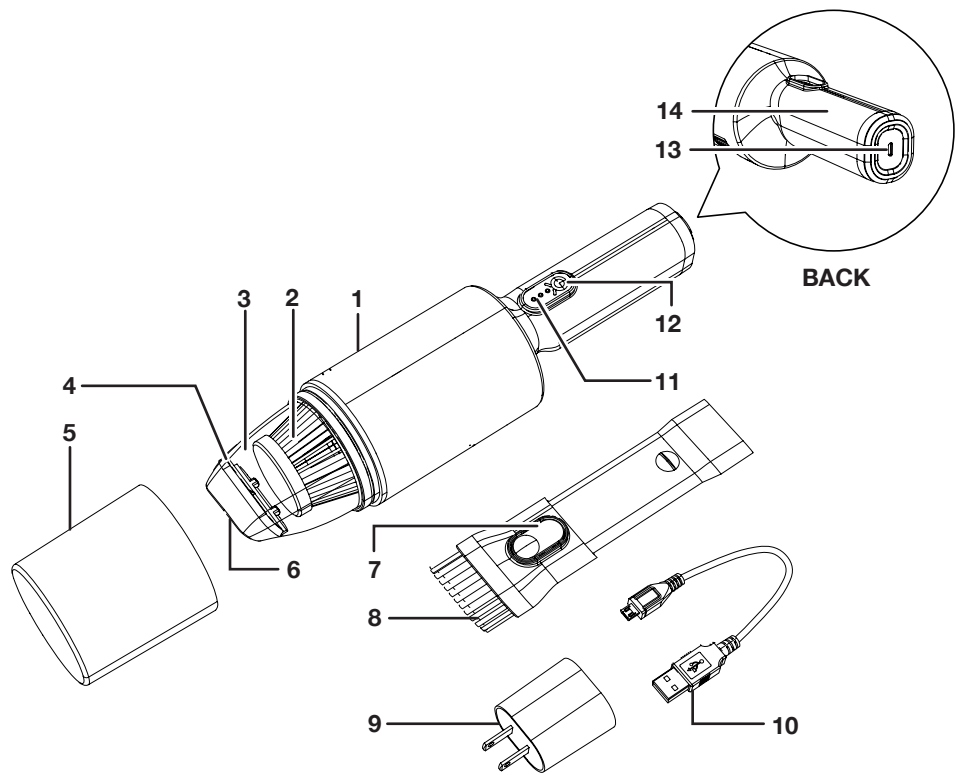
The following table depicts and describes safety symbols that may appear on this product. Read, understand, and follow all instructions on the machine before attempting to assemble and operate.

Symbols	Descriptions	Symbols	Descriptions
	<p>Safety alert. Exercise caution.</p>		<p>To reduce the risk of injury, user must read the instruction manual.</p>
	<p>To reduce the risk of electric shock, do not use outdoors or in damp or wet environments. Do not expose to rain. Store indoors in a dry place.</p>		<p>Indoor use only. Only use battery charger indoors.</p>

Know Your Cordless Handheld Vacuum

Read the owner's manual and safety rules carefully before operating the handheld vacuum. Compare the illustration below to the unit in order to familiarize yourself with the location of the various controls and adjustments. Save this manual for future reference.

1. Motor housing
2. HEPA filter
3. Dust tank
4. Dust retaining flap
5. Vacuum cap
6. Nozzle
7. Release button
8. 2-in-1 nozzle + brush attachment
9. Charger adapter
10. USB charging cable
11. Charge level indicator
12. On/Off button
13. USB charge socket
14. Handle



Technical Data

Motor	60 W	Battery Runtime Max	12 min
Battery Voltage*	8.4 V D.C.	Battery Charge Time Max	4 hours
Battery Capacity	2.0 Ah	Vacuum Pressure Max	4 kPa
Battery Type	Lithium-iON	Air Flow Max	14.1 CFM (0.4 m ³ /min)
Charger Input	100 – 240 V AC, 50 – 60 Hz	Dust Tank Capacity	3.4 oz (100 ml)
Charger Output	5 V DC, 1 A	Weight (no attachments)	1.4 lbs (0.6 kg)

*Initial no-load voltage, when fully charged, peaks at 8.4 volts; nominal voltage under typical load is 7.4 volts.

Unpacking

Carton Contents

- Cordless handheld vacuum
- 2-in-1 nozzle + brush attachment
- Charger adapter
- USB charging cable
- Manuals with registration card

1. Carefully remove the handheld vacuum and check to see that all of the above items are supplied.
2. Inspect the product carefully to make sure no breakage or damage occurred during shipping. If you find damaged or missing parts, DO NOT return the unit to the store. Please call the Snow Joe® + Sun Joe® customer service center at 1-866-SNOWJOE (1-866-766-9563).

NOTE: Do not discard the shipping carton and packaging material until you are ready to use your new handheld vacuum. The packaging is made of recyclable materials. Properly dispose of these materials in accordance with local regulations.

IMPORTANT! The equipment and packaging material are not toys. Do not let children play with plastic bags, foils, or small parts. These items can be swallowed and pose a suffocation risk!

Before Using

Charging Procedure

The battery charger supplied matches the lithium-ion battery installed in the tool. Do not use other battery chargers.

The lithium-ion battery is protected against deep discharging. When the battery is empty, a protective circuit will automatically switch OFF the equipment. The vacuum will no longer work.

Charge the battery up to 4 hours then use it until it runs down. Recharge for up to 4 hours again before resuming operation.

⚠ WARNING! Continued and excessive overuse of the ON/OFF button can permanently damage the lithium-ion battery.

- During the charging procedure, the handle and the housing of the tool will feel slightly warm to the touch. This is normal.
- When no further use is planned for an extended period of time, disconnect the battery charger from the outlet and the unit.
- Do not use the tool during the charging procedure.

Battery Charge Level Indicator

The equipment has charge level indicators, which will illuminate and indicate the charge level when the unit is being used, and when the unit is connected with charger.

- All 3 level monitoring LEDs are lit white: Battery charge level is high.
- 2 level monitoring LEDs are lit white: Battery charge level is decreasing.
- 1 level monitoring LED is lit white: Battery is almost flat. Stop work and charge the battery.
- 1 level monitoring LED is lit red: Battery is flat. Stop work IMMEDIATELY and charge the battery. Otherwise the battery's service life will be greatly shortened.

Battery Charging

The length of service between each charging varies depending on the type of work you are doing. The battery in this handheld vacuum has been designed to provide maximum trouble-free life. However, like all batteries, it will eventually wear out. To obtain the longest possible battery life, we suggest the following:

- Store and charge your cordless handheld vacuum in a cool area. Temperatures above or below normal room temperature will shorten battery life.
- Never store the cordless handheld vacuum with the battery in a discharged condition. Recharge the unit immediately after it is discharged.
- All batteries gradually lose their charge. The higher the temperature is, the faster they lose their charge. If you store your cordless vacuum for long periods of time without using it, recharge the battery every 6 months. This will extend battery life.

NOTE: The cordless handheld vacuum has been shipped in a low charge condition and should be fully charged before use.

1. Plug the charger adapter into an appropriate AC power outlet. Connect the charger adapter and the handheld vacuum with the USB charging cable, as shown (Fig. 1).

NOTE: The cordless handheld vacuum can also be charged by connecting with other USB ports (e.g. laptop USB port) through the equipped USB charging cable.

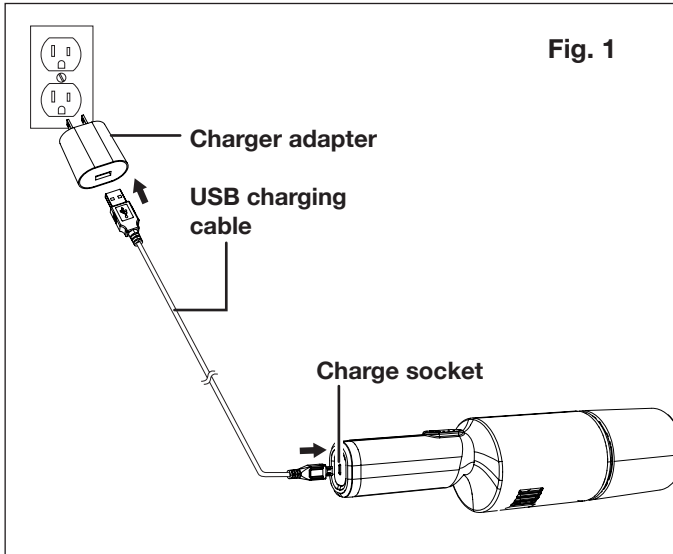


Fig. 1

2. The battery will take approximately 4 hours to charge. The battery indicator LEDs will twinkle and illuminate one by one during the charging process. Unplug the charger immediately when the 3 LEDs are all illuminated.

NOTE: The cordless handheld vacuum is equipped with charging overheating protection. When the temperature is too high during charging, the LED light close to the On/Off button will be lit red and the charging process will be stopped. Disconnect the unit from the charger and wait until it cools down before reconnecting it to charge.

3. Timely recharging of the tool will help prolong the battery's life. You must recharge the tool according to the charger level indicator.

⚠ WARNING! This charger does not automatically turn off when the battery is fully charged. Please take care not to leave the battery plugged into the charger. Switch off or unplug the charger at the mains when charging is complete.

IMPORTANT! Never allow the tool to become fully discharged as this will cause irreversible damage to the battery.

Operation

This cordless handheld vacuum is designed to clean hard surfaces. It is only suitable for vacuuming dry, light materials. The vacuuming of heavy materials and liquid is expressly excluded. Using this tool in any way that doesn't comply with the designed intent will cause malfunction and void the warranty.

⚠ WARNING! Do not allow familiarity with this product to make you careless. Remember that a careless fraction of a second is sufficient to inflict serious injury.

⚠ WARNING! Do not use any attachments or accessories that are not recommended by the manufacturer. The use of attachments or accessories not recommended can result in serious personal injury.

Starting/Stopping the Vacuum

1. Before operation, remove the air vacuum cap from the vacuum (Fig. 2).

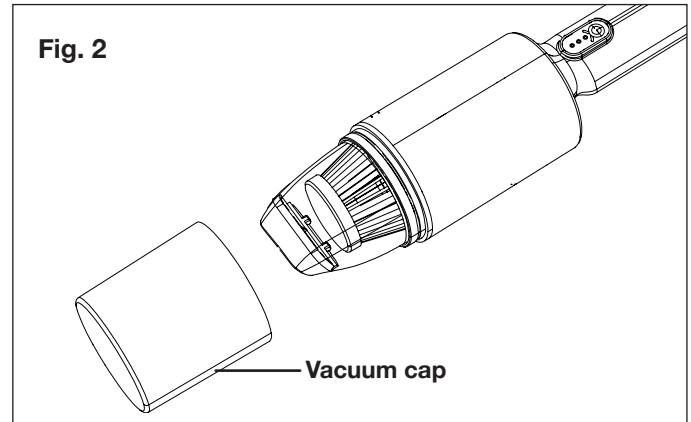


Fig. 2

2. Make sure the filter is installed and the dust tank is securely attached.
3. With the nozzle pointed to the dust/debris to be cleaned, press the On/Off button (Fig. 3).

NOTE: Before switching on the handheld vacuum, make sure that it is not in contact with any foreign objects.

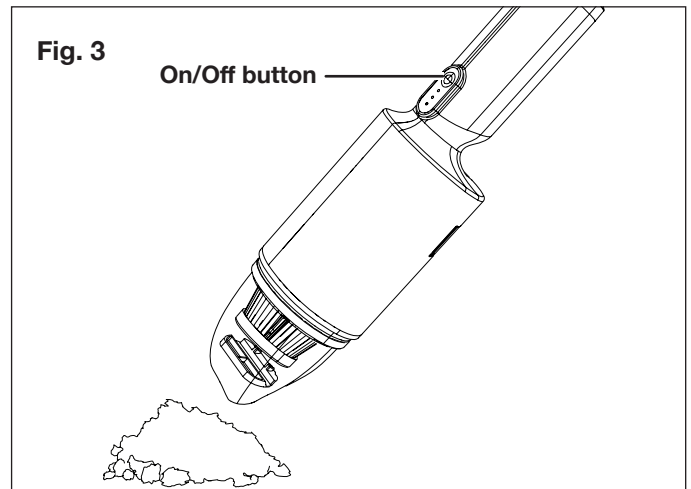


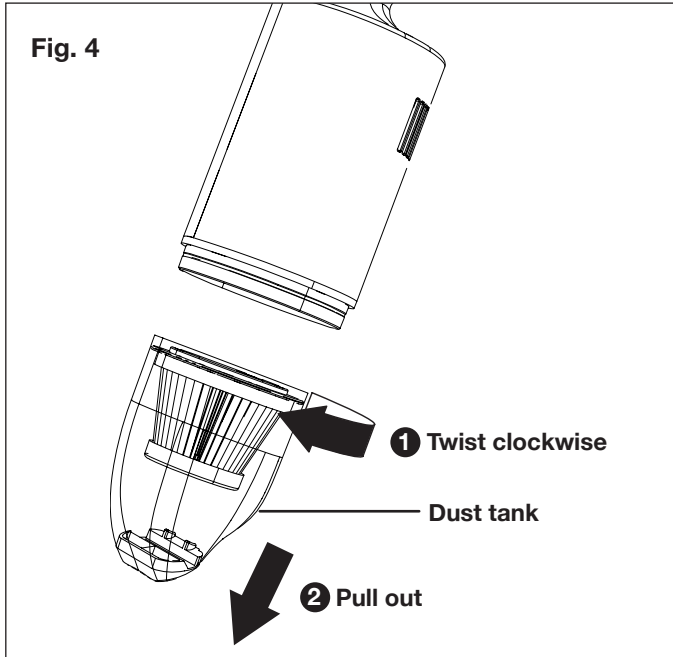
Fig. 3

4. After use, turn off the vacuum by pressing the On/Off button (Fig. 3). Replace the vacuum cap before storing.

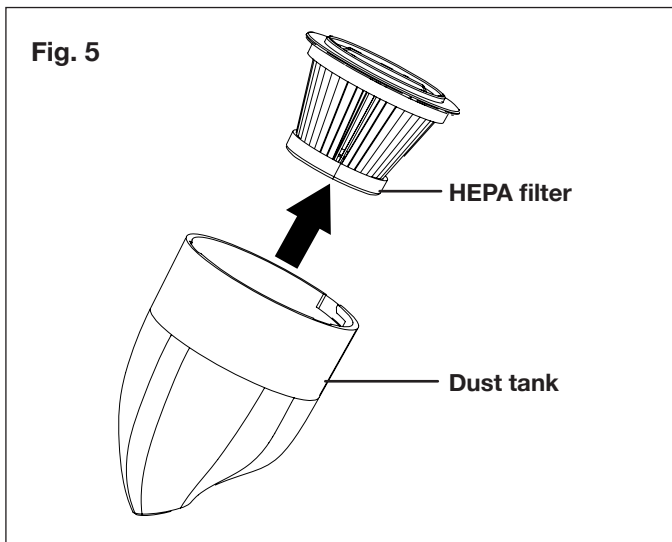
Empty the Dust Tank

1. It's recommended to empty the dust tank every time after using. Turn off the vacuum. Wait until the tool is stopped completely.
2. Remove the dust tank by twisting it clockwise, and pull it out from the vacuum (Fig. 4).

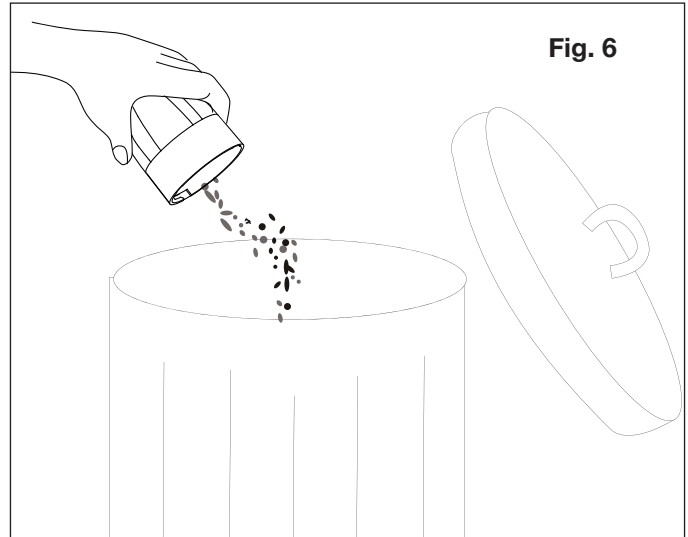
NOTE: Be careful of dust dropping out when disconnecting the dust tank from the vacuum. It's recommended to point the vacuum nozzle toward the ground to avoid this when removing the dust tank.



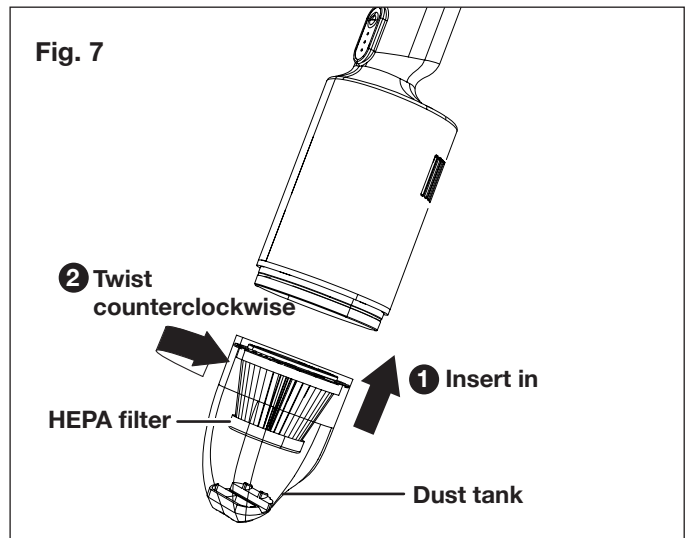
3. Remove the HEPA filter from the dust tank (Fig. 5).



4. Discard the debris and dust from the dust tank according to local laws and regulations (Fig. 5).



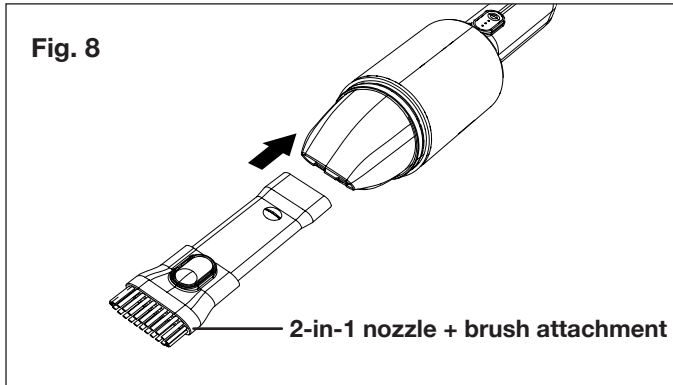
5. Reassemble the filter and the dust tank when all debris/dust are removed. Insert the HEPA filter inside the dust tank, and reattach the dust tank to the vacuum. Push in and turn the tank counterclockwise until it locks in place (Fig. 7).



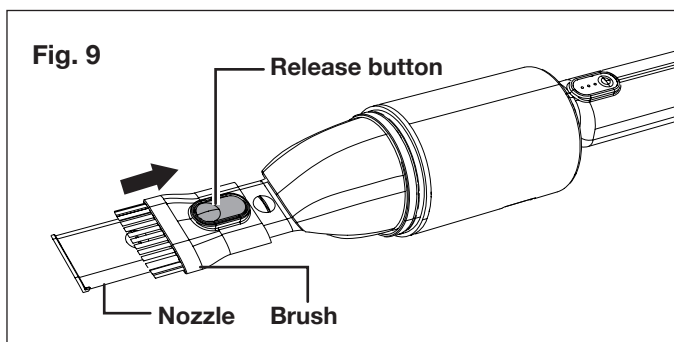
Use the 2-in-1 Nozzle + Brush attachment

The included 2-in-1 nozzle + brush attachment is suitable for cleaning small areas and collecting fine dust. To use the nozzle + brush attachment, follow the instructions below.

1. Turn off the vacuum and wait until it completely stops.
2. Insert the 2-in-1 nozzle + brush attachment into the vacuum nozzle, press firmly until it's locked in place (Fig. 8)



3. To use the nozzle without the brush, press the release button and slide the brush up (Fig. 9).



⚠ WARNING! Do not adjust the 2-in-1 nozzle + brush attachment while the tool is switched on. Doing so could result in injury.

Operation Tips

⚠ WARNING! Use the cordless handheld vacuum only in daylight or good artificial light.

- Make sure the dust tank with the HEPA filter is properly installed and secured when using. Failure to properly secure the assembly could cause the dust tank and the HEPA filter to release from the equipment.
- Double check to make sure the HEPA filter is not broken or torn. Do not use filter that are broken or torn. Handle the filter carefully when removing and installing.
- This unit is intended for indoor use only. Do not use this unit outdoors.
- Be extremely careful when working on slopes and stairs.
- Clean up after using the handheld vacuum. Dispose of debris appropriately.

⚠ WARNING! To avoid personal injury, wear ear protectors when operating this unit. Wear a face mask or dust mask in dusty locations.

Basic Vacuuming Procedure

- Always hold the unit on the handle when the vacuum is on.
- During vacuuming, keep the nozzle at a distance of approximately 0.4 inch (1 cm) above the material to be vacuumed.

NOTE: The cordless handheld vacuum is equipped with working overheating protection. When the temperature is too high during vacuuming, the circuit will cut off and the vacuum will stop working. If this happens, DO NOT press the On/Off button any more. Let the vacuum cool down for a while before resuming working.

- Turn off the unit after vacuuming, before cleaning and maintenance. Empty the dust tank, clean and dry the inside and outside before storage.
- Empty the dust tank outside in order to avoid a mess.
- Clean or change the filter (see Maintenance section) if the suction performance deteriorates.

⚠ WARNING! Never remove the dust tank without first switch off the equipment.

Maintenance

To order genuine replacement parts or accessories for the Sun Joe® AJV1000 cordless handheld vacuum, please visit sunjoe.com or contact the Snow Joe® + Sun Joe® customer service center at 1-866-SNOWJOE (1-866-766-9563).

Cleaning The Dust Tank

1. Take the unit outside to clean it to avoid creating a mess indoors.
2. Remove and empty the dust tank. Clean the tank with water and allow it to dry completely.

Cleaning/Changing The Filter

The HEPA filter included is made of high quality material designed to stop small dust particles. The filter should be used for dry pick-up only. Handle the filter carefully when removing it for cleaning and replacing. Check the filters for tears or small holes, a small hole can let dust pass through and out of the cleaner. Do not use a filter with holes or tears, replace it immediately.

1. Remove and empty the dust tank. Lift the HEPA filter up from the dust tank.
2. Clean the filter by gently tapping or brushing dirt off.
3. If needed, rinse the filter with clean water. Allow the filter to air dry for 24 hours before installing onto the vacuum.
4. If the filter is torn and cannot be used anymore, insert a new filter into the dust tank and attach the dust tank onto the vacuum (Fig. 7).

⚠ WARNING! The HEPA filter must be installed before vacuuming again.

IMPORTANT: Only use original replacement filters specified for this vacuum.

You can purchase replacement filters (Model AJV1000-FILTER) and other genuine replacement parts by visiting us online at sunjoe.com or calling our toll-free customer service helpline at 1-866-SNOWJOE (1-866-766-9563). The use of filters that do not meet the original equipment specifications may lead to improper performance of the vacuum, may compromise operator safety and will void the manufacturer's warranty.

Storage

- Examine the cordless handheld vacuum thoroughly for worn, loose or damaged parts. Should you need to repair or replace a part, contact an authorized Snow Joe® + Sun Joe® dealer or call the Snow Joe® + Sun Joe® customer service center at 1-866-SNOWJOE (1-866-766-9563) for assistance.
- Examine the HEPA filter thoroughly for signs of excess wear or damage. If it is worn or damaged, replace it immediately.
- Store the handheld vacuum with the vacuum cap on indoors in a clean, dry and locked location out of the reach of children and animals.

Service + Support

If your Sun Joe® AJV1000 cordless handheld vacuum requires service or maintenance, please call the Snow Joe® + Sun Joe® customer service center at 1-866-SNOWJOE (1-866-766-9563).

Model + Serial Numbers

When contacting the company, reordering parts, or arranging service from an authorized dealer, you will need to provide the model and serial numbers, which can be found on the decal located on the housing of the unit. Copy these numbers into the space provided below.

Record the following numbers from the housing or handle of your new product:	
Model #:	
A J V 1 0 0 0	
Serial #:	



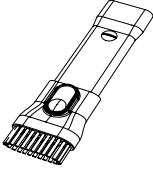
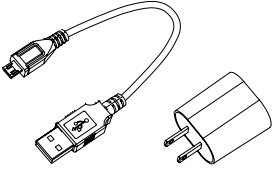
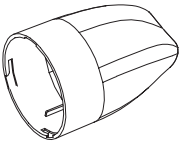
Troubleshooting

- Turn off the equipment before carrying out maintenance on the machine or when checking that its parts are in proper working order.
- To avoid unnecessary hassles, consult the following table before contacting customer service with any mechanical issues.

Problems	Possible Cause	Possible Solution
Machine refuses to start	<ul style="list-style-type: none"> • Flat battery • Overheating protection is on • On/Off button is damaged 	<ul style="list-style-type: none"> • Charge the battery. • Wait for a while until the unit is cool down and resume working • Contact the Snow Joe® + Sun Joe® customer service center at 1-866-SNOWJOE (1-866-766-9563).
Vacuum suction drops	<ul style="list-style-type: none"> • Dust tank is full • HEPA filter is clogged • Battery power is low 	<ul style="list-style-type: none"> • Empty the dust tank • Clean the HEPA filter • Charge the battery
Motor housing is hot	<ul style="list-style-type: none"> • The unit works continuously for too long • Dust tank is full • HEPA filter is clogged 	<ul style="list-style-type: none"> • Shut down the unit. Wait for a while until the unit is cool down before resuming working • Empty the dust tank • Clean the HEPA filter

Optional Accessories

⚠️ WARNING! ALWAYS use only authorized Snow Joe® + Sun Joe® replacement parts and accessories. NEVER use replacement parts or accessories that are not intended for use with this cordless handheld vacuum. Contact Snow Joe® + Sun Joe® if you are unsure whether it is safe to use a particular replacement part or accessory with your cordless handheld vacuum. The use of any other attachment or accessory can be dangerous and could cause injury or mechanical damage.

Accessories	Item	Model
	AJV1000 handheld vacuum HEPA filter	AJV1000-FILTER
	AJV1000 handheld vacuum HEPA filter sealer	AJV1000-SEAL
	AJV1000 handheld vacuum 2-in-1 nozzle + brush attachment	AJV1000-BRUSH
	AJV1000 handheld vacuum USB charging cable	AJV1000-USBCHARGER
	AJV1000 handheld vacuum dust tank	AJV1000-DUSTCUP

NOTE: Accessories are subject to change without any obligation on the part of Snow Joe® + Sun Joe® to provide notice of such changes. Accessories can be ordered online at sunjoe.com or via phone by contacting the Snow Joe® + Sun Joe® customer service center at 1-866-SNOWJOE (1-866-766-9563).



SNOW JOE® + SUN JOE® CUSTOMER PROMISE

ABOVE ALL ELSE, Snow Joe, LLC (“Snow Joe”) is dedicated to you, our customer. We strive to make your experience as pleasant as possible. Unfortunately, there are times when a Snow Joe®, Sun Joe®, or Aqua Joe® product (“Product”) does not work or breaks under normal operating conditions. We think it’s important that you know what you can expect from us. That’s why we have a Limited Warranty (“Warranty”) for our Products.

OUR WARRANTY:

Snow Joe warrants new, genuine, powered and non-powered Products to be free from defects in material or workmanship when used for ordinary household use for a period of two years from the date of purchase by the original, end-user purchaser when purchased from Snow Joe or from one of Snow Joe’s authorized sellers with proof of purchase. Because Snow Joe is unable to control the quality of its Products sold by unauthorized sellers, unless otherwise prohibited by law, this Warranty does not cover Products purchased from unauthorized sellers. If your Product does not work or there’s an issue with a specific part that is covered by the terms of this Warranty, Snow Joe will elect to either (1) send you a free replacement part, (2) replace the Product with a new or comparable product at no charge, or (3) repair the Product. How cool is that!

This Warranty gives you specific legal rights, and you may also have other rights which vary from State to State.

PRODUCT REGISTRATION:

Snow Joe strongly encourages you to register your Product. You can register online at snowjoe.com/register, or by printing and mailing in a registration card available online from our website, or calling our Customer Service Department at **1-866-SNOWJOE (1-866-766-9563)**, or by e-mailing us at help@snowjoe.com. Failure to register your Product will not diminish your warranty rights. However, registering your Product will allow Snow Joe to better serve you with any of your customer service needs.

WHO CAN SEEK LIMITED WARRANTY COVERAGE:

This Warranty is extended by Snow Joe to the original purchaser and original owner of the Product.

WHAT IS NOT COVERED?

This Warranty does not apply if the Product has been used commercially or for non-household or rental applications. This Warranty also does not apply if the Product was purchased from an unauthorized seller. This Warranty also does not cover cosmetic changes that do not affect performance. Wearing parts like belts, augers, chains and tines are not covered under this Warranty, and can be purchased at snowjoe.com or by calling **1-866-SNOWJOE (1-866-766-9563)**.



sunjoe.com