

# bliss<sup>®</sup>

## hammocks

### EXTENDED HEIGHT & WIDTH, FOLDABLE HIGH BEACH CHAIR WITH SIDE POCKET

MODEL: BBC-354

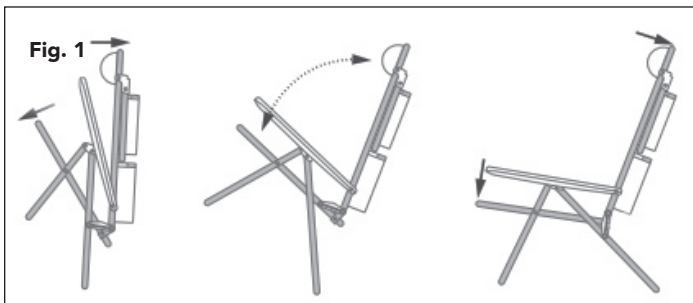
**READ THIS BEFORE ASSEMBLING & USING THIS PRODUCT. KEEP INSTRUCTIONS FOR FUTURE REFERENCE.**

**NOTE:** The illustrations below are for reference only and your chair may appear differently than illustrated.

**WEIGHT CAPACITY:** 275 lbs

#### OPENING

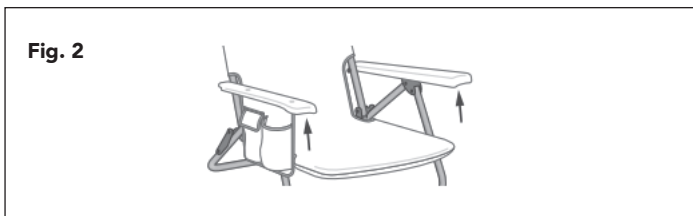
- Grasp the front of the seat and top of the backrest, and press backward on the top of the backrest until the safety hinges snap/lock onto the rear leg. Then, adjust the backrest to your desired position (Fig. 1). **NOTE:** Safety hinges will snap/lock when chair is fully open.



#### RECLINING POSITIONS

**⚠CAUTION:** Do not put fingers underneath armrests.

- While sitting, lean forward to take the weight off the backrest, grip the front of both armrests and lift upward. The hinges will unlock so you can move the backrest to your desired position. Then, press the armrests down to lock and secure (Fig. 2).



If you have any questions or comments,  
please call the Bliss Hammocks<sup>®</sup> customer service department at:

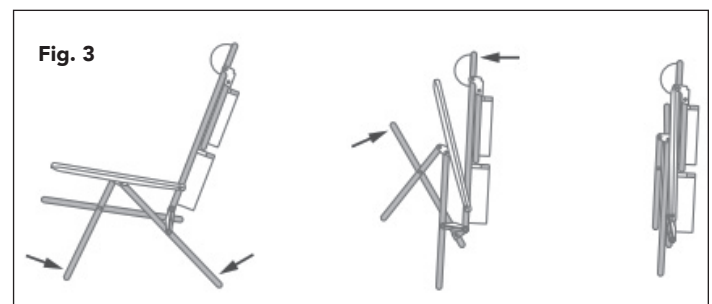
**1-800-695-2626**

Original instructions.

© 2022 Snow Joe, LLC. All rights reserved.

#### CLOSING

- Grasp the bottom of the front and rear legs, and pull them together in a fast motion. This will unlock the hinges and the chair will collapse and close (Fig. 3).



**SAVE THESE INSTRUCTIONS**