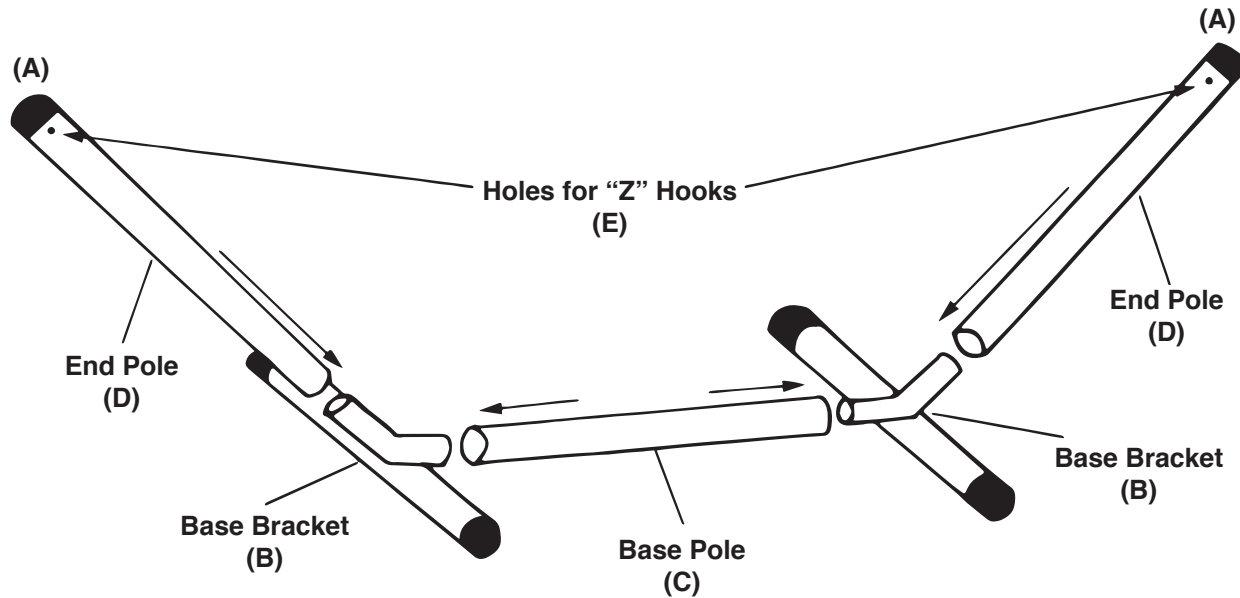


# 15-ft Steel Hammock Stand

## For 10-ft to 14-ft Hammocks

Depending on the overall length of your hammock, you may need extra chains & “S” hooks (sold separately).



### Hardware Included:

- A.** (2) Round Rubber End Caps\*  
\*Caps may already be attached to the end of the poles
- B.** (2) Base Brackets
- C.** (1) Base Pole
- D.** (2) End Poles
- E.** (2) “Z” Hooks

Double check to make sure you have all parts and hardware listed. If you are missing parts or hardware, feel free to contact us at: [help@snowjoe.com](mailto:help@snowjoe.com)

### Assembly: No tools required

1. If **Round Rubber End Caps (A)** are not already on the ends of the poles, place **Round Rubber End Caps (A)** on **End Poles (D)** near the “Z” Hook (E).
2. Place the (2) **Base Brackets (B)** on the floor, and connect the **Base Pole (C)** to the (2) **Base Brackets (B)**.
3. Insert the (2) **End Poles (D)** into the other ends of the **Base Brackets (B)**. Make sure that you insert the side of the **End Poles (D)** without the holes.
4. Place the (2) “Z” **Hooks (E)** into the holes, which will be used to hang the hammock.

### CAUTION

If you are not familiar with hardware, please use a qualified general contractor to install. Improper installation may cause injury.

Safety First: Before using the hammock stand, inspect all parts and hardware as well as installation points and objects supporting your hammock for wear or weakness. Be sure all parts are properly secure, including the hardware. The Z-hooks, Hex Nuts, & Washers should all be tight and secure. Make sure there is no excessive rust or twisting in the any of the hardware and parts. The hammock stand is not a playground or toy. Rough play may result in falls and may wear out your hammock stand and hardware prematurely. Small children should not play unsupervised in your hammock stand.

Carefully, follow the directions of your hammock stand & hammock (sold separately).