

bliss™

outdoors

SOLAR PATHWAY LIGHT

BSL-314, BSL-315, BSL-316, BSL-319

Please read instructions carefully and keep for future reference.

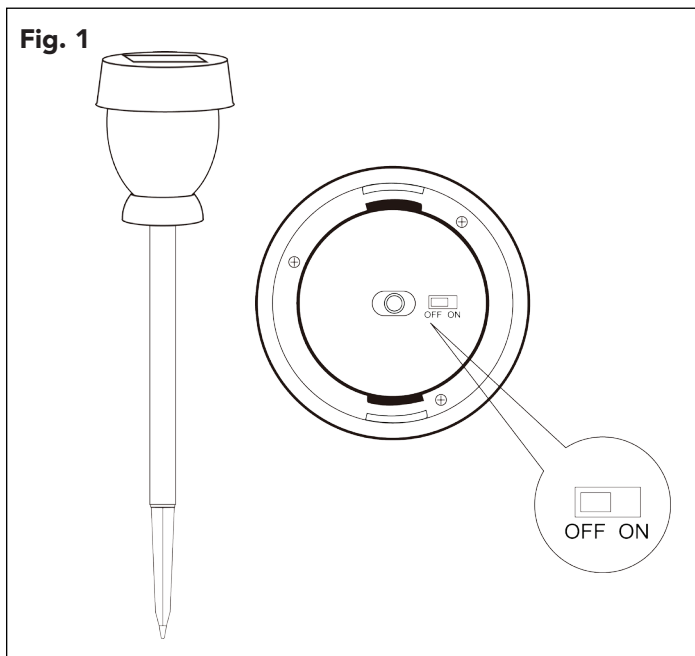
⚠ SHARP POINT WARNING: Use caution when handling this product. Part of the product contains sharp points.

NOTE: Light is suitable for outdoor use and decorative purposes only. When item is not use for a long period of time, remove battery and store in a cool or dry place to avoid leakage.

CHARGING AND OPERATION:

NOTE: Your lantern is supplied with rechargeable battery already installed.

1. Switch to the ON position to turn on the light. (Fig. 1)



2. Charge solar product by placing in direct sunlight for at least 8 hours prior to use.
3. Solar light will charge in sunlight during the day and automatically illuminate at night. If not in use, please press the switch to turn off the light to avoid the power loss. To verify if switch is opened correctly, cover solar panel with your hand and light will automatically illuminate.

If you have any questions or comments,
please call the Bliss Outdoors™ customer service department at:
1-800-695-2626

©2021 Bliss Outdoors™ is a trademark of Snow Joe, LLC | Made in China

IMPORTANT:

1. Position solar product in an area where it can receive direct sunlight. Please avoid shaded areas.
2. Select an outdoor location away from other light source at night to ensure it automatically turns on when dark.
3. Duration of light depends on solar product's exposure to sunshine, geographical location, weather condition and hours of daylight. During the winter months, and on cloudy days, the product may not light due to insufficient sunlight.

MAINTENANCE, TROUBLE SHOOTING AND BATTERY REPLACEMENT:

⚠ CAUTION: Open cover gentle to avoid damage to circuit board or wiring. Once battery has been replaced, close cover and make sure it is properly sealed.

1. Keep solar panel clean.
2. If solar product does not light up after it has been used for around 8-12 months, replace the rechargeable batteries as they may be weak or worn out.
3. Recommended battery 1pc AA 1.2V 300mAh, Ni-MH or equivalent must be used for best result
4. Open the battery compartment cover and replace 1pc AA (rechargeable only). Be sure to observe the correct polarity. (Fig. 2)

