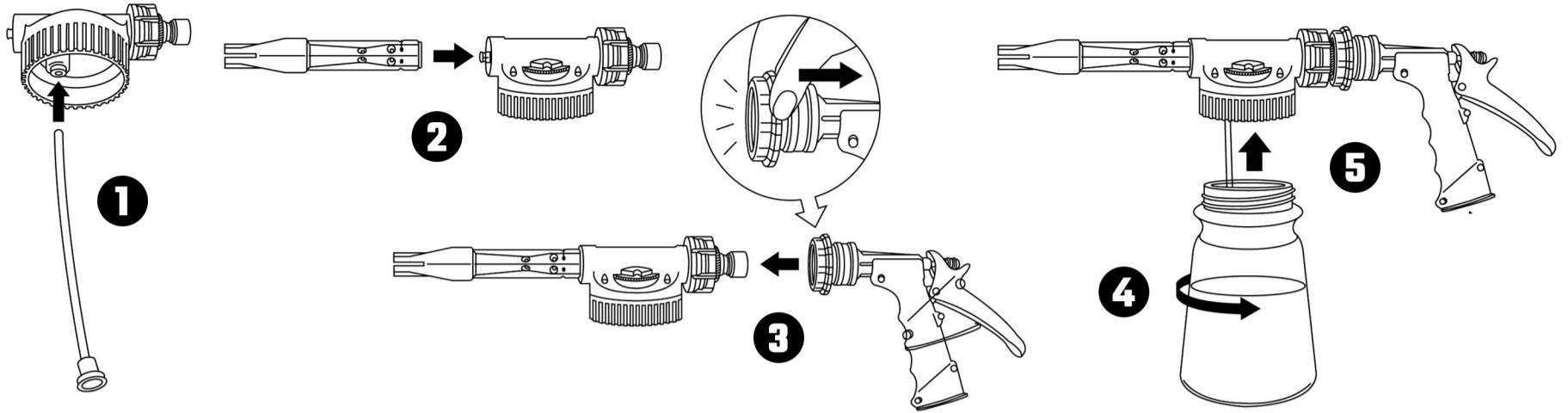


# GARDEN HOSE FOAM GUN

## INSTRUCTIONS FOR USE



### ASSEMBLY INSTRUCTIONS

- 1** Attach the clear siphon straw to the bottom of the mixing canister head.
- 2** Attach the foaming stick to the connector on front of canister head.
- 3** Attach the trigger handle to the washer head connector. Pull back on black ring and push forward to lock in place.
- 4** Fill canister with concentrated soap solution and mix water according to recommended ratio.
- 5** Carefully attach full canister to the bottom of canister head and set dial to recommended dilution setting.

### SOAP MIXING INSTRUCTIONS

Results vary due to soap ratio and the dial setting. If using Slick Products brand, we recommend filling the tank about  $\frac{3}{4}$  with water and adding 4-8 oz. of concentrated soap. Adjust the dial for desired result of foam consistency. Alternatively, you may add concentrated soap to the tank without water and adjust dial for desired result.

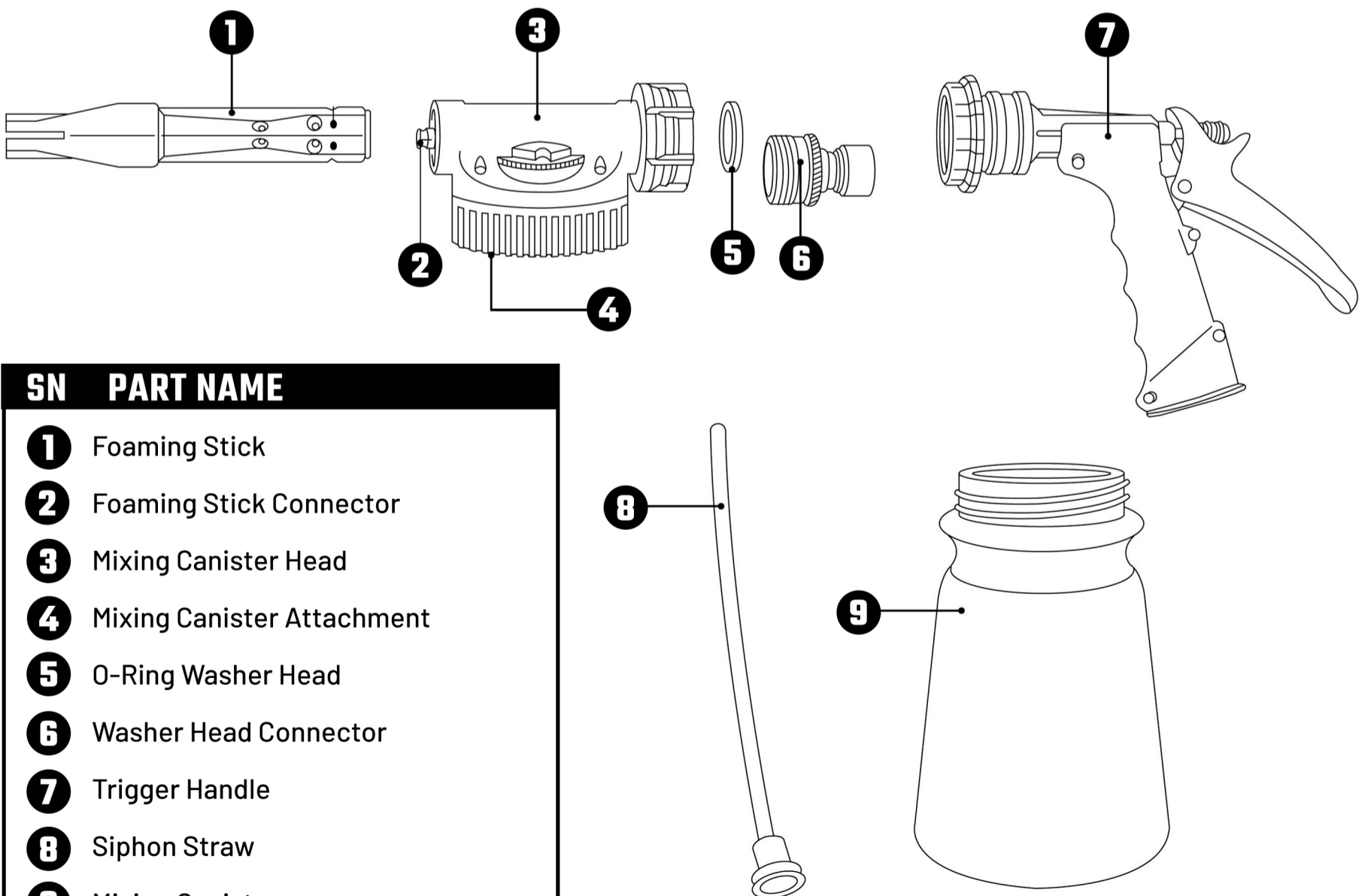
### DIAL DILUTION SETTING

Begin at "0" for the least amount of water dilution, resulting in the greatest amount of foam.

**0.....1.....2.....3.....4.....5**  
 (More Foam) (Less Foam)

# GARDEN HOSE FOAM GUN

## PART LIST



### SN PART NAME

- 1** Foaming Stick
- 2** Foaming Stick Connector
- 3** Mixing Canister Head
- 4** Mixing Canister Attachment
- 5** O-Ring Washer Head
- 6** Washer Head Connector
- 7** Trigger Handle
- 8** Siphon Straw
- 9** Mixing Canister