



CORDLESS LAWN MOWER

24-VOLT MAX* | 5.0 Ah | 14-INCH

OPERATOR'S MANUAL

A Division of Snow Joe®, LLC

Model MJ24C-14-XR

Form No. SJ-MJ24C-14-XR-880E-MR5

IMPORTANT! Safety Instructions

All Operators Must Read These Instructions Before Use

Always follow these safety guidelines. Failure to do so may result in serious bodily injury or death.

General Safety WARNINGS!

When using this cordless lawn mower, basic safety precautions should always be followed to reduce the risk of fire, electric shock and personal injury. These precautions include:

⚠️ WARNING! Do not operate without the entire grass catcher, discharge guard, rear guard or other safety protective devices in place and in proper working order.

⚠️ WARNING! The use of any other accessory or attachment might increase the risk of injury.

⚠️ WARNING! To reduce the risk of injury, inspect the catcher assembly frequently and replace with recommended replacement if there are signs of wear or deterioration.

Before using the mower, take the time to familiarize yourself with the controls, especially how to stop the mower in an emergency. The only individuals who should use the mower are those who have a thorough understanding of the instructions and who know how to operate the machine. Children should never be allowed access to the mower.

Retain this manual for future reference and reread it at the start of each mowing season.

⚠️ WARNING! Contact with moving parts may cause entanglement, dismemberment or other serious bodily injury. Always keep body parts (i.e. hands, feet) a safe distance away from moving parts. Ensure all covers and guards are securely in place before use.

Hot surfaces (i.e. the motor) may ignite flammable or combustible items and cause a fire or explosion, which can result in serious bodily injury. Keep the mower a safe distance away from flammable or combustible items until surfaces that are hot have completely cooled. Do not store the mower near flammable or combustible items.

A damaged blade or worn blade nut may break off the mower assembly and cause serious injury. Replace the damaged blade or blade nut before using the mower.

- 1. Avoid dangerous conditions** – Do not use the mower in the rain or when the grass is damp or wet.
- 2. Keep children, bystanders and pets away** – Always keep children and spectators a safe distance away from the mower during operation and as the machine cools.
- 3. Dress properly** – Always wear personal safety gear (i.e. glasses, rubber gloves, protective footwear and dust masks) and proper clothing when using the mower. Loose clothing, long hair or jewelry may get caught in the moving parts.
- 4. Use the right appliance** – Do not use the lawn mower for any applications other than those for which it was intended.
- 5. Do not force the lawn mower** – It will perform better with less likelihood of personal or mechanical injury if it is used at the rate for which it was designed.
- 6. Do not overreach** – Keep proper footing and balance at all times.
- 7. Stay alert** – Always be alert and watch what you are doing. Use common sense. Do not operate the lawn mower when you are tired or under the influence of alcohol or drugs.
- 8. Disconnect the lawn mower** – Turn OFF and remove safety key when the mower is not in use, before servicing it, when changing accessories and when performing any other maintenance task.
- 9. Store idle lawn mower indoors** – When not in use, the lawn mower should be stored indoors in a dry, locked place out of the reach of children.
- 10. Maintain the lawn mower with care** – Keep cutting edges sharp and clean for best and safest performance.
- 11. Use personal protective equipment. Always wear eye protection** – Protective equipment such as safety glasses, a dusk mask, non-skid safety shoes, a hard hat, and hearing protection, when used for appropriate conditions, will reduce the possibility of personal injuries.
- 12. Avoid unintentional starting** – Ensure the switch is in the OFF position before insert the safety key, or before picking up or carrying the tool. Carrying power tools with your finger on the switch or charging power tools with the switch ON can lead to accidents.
- 13. Remove any adjusting key or wrench before starting the power tool** – A wrench or a key left attached to a rotating part of the power tool may result in personal injury.

14. **Keep cutting blades sharp and clean –**
Properly maintained cutting blades with sharp edges are less likely to bind and are easier to control.
15. **Keep all parts of the body away from the cutting blade**
– Do not remove cut material or hold material to be cut when blades are moving. Make sure the switch is off when clearing jammed material. A moment of inattention while operating the product may result in serious personal injury.
16. If the lawn mower strikes a foreign object, follow these steps:
 - i) Stop the lawn mower by releasing the start/stop switch bar lever.
 - ii) Remove the safety key.
 - iii) Inspect for damage.
 - iv) Repair any damage before restarting and operating the lawn mower.
17. Only use identical replacement blades and other genuine parts.
18. Keep guards in place and in proper working order.

Electrical Safety

1. If the battery charger cable is damaged, please call the Snow Joe® + Sun Joe® customer service center at 1-866-SNOWJOE (1-866-766-9563).
2. If charging the power tool in a damp location is unavoidable, use a residual current device (RCD) protected power supply. The using of an RCD reduces the risk of electric shock.
3. Avoid body contact with earthed or grounded surfaces such as pipes, radiators, ranges and refrigerators. There is an increased risk of electric shock if your body is earthed or grounded.
4. **Do not expose power tools to rain or wet conditions.**
Water entering a power tool will increase the risk of electric shock.
5. **Do not abuse the charging cord.** Never use the cord for carrying, pulling or unplugging the charger. Keep cord away from heat, oil, sharp edges or moving parts. Damaged or entangled cords increase the risk of electric shock.
6. Battery charger is for indoor use only. Do not charge lawn mower in rain, or in wet locations.

Battery & Charger Safety Instructions

We pay a great deal of attention to the design of every battery pack to ensure that we supply you with batteries that are safe, durable and have a high energy density. The battery cells have a wide range of safety devices. Each individual cell is initially formatted and its electrical characteristic curves are recorded. This data is then used exclusively to be able to assemble the best possible battery packs.

Despite all the safety precautions, caution must always be exercised when handling batteries. The following points must be obeyed at all times to ensure safe use. Safe use can only be guaranteed if undamaged cells are used. Incorrect handling of the battery pack can cause cell damage.

IMPORTANT! Analyses confirm that incorrect use and poor care of high-performance batteries are the main factors responsible for personal and/or product damage.

⚠️ WARNING! Use only approved replacement batteries; other batteries may damage the power tool and cause it to malfunction, which can lead to serious personal injury.

⚠️ WARNING! Do not use a battery pack or appliance that is damaged or modified. Damaged or modified batteries may exhibit unpredictable behavior resulting in fire, explosion or risk of injury.

Do not modify or attempt to repair the appliance or the battery pack except as indicated in the instructions for use and care.

Have your battery pack serviced by a qualified repair person using only identical replacement parts. This will ensure that the safety of the battery pack is maintained.

⚠️ CAUTION! To reduce the risk of injury, charge the 24V iON+ lithium-iON battery pack only in its designated 24V iON+ lithium-iON charger. Other types of chargers present risk of fire, personal injury and damage. Do not wire a battery pack to a power supply plug or car cigarette lighter. Such misuse will permanently disable or damage the battery pack.

- **Avoid dangerous environments –** Do not charge the battery pack in rain, snow or in damp or wet locations. Do not use the battery pack or charger in the presence of explosive atmospheres (gaseous fumes, dust or flammable materials) because sparks may be generated when inserting or removing the battery pack, which could lead to a fire.

- **Charge in a well-ventilated area –** Do not block the charger vents. Keep them clear to allow for proper ventilation. Do not allow smoking or open flames near a charging battery pack. Vented gases may explode.

NOTE: The safe temperature range for the battery is 41°F (5°C) to 105°F (40.5°C). Do not charge the battery outside in freezing weather; charge it at room temperature.

- **Maintain charger cord –** When unplugging the charger, pull the plug, not the cord, from the receptacle to reduce the risk of damage to the electrical plug and cord. Never carry the charger by its cord or yank it by the cord to disconnect it from the receptacle. Keep the cord away from heat, oil and sharp edges. Make sure the cord will not be stepped on, tripped over or subjected to damage or stress when the charger is in use. Do not use the charger with a damaged cord or plug. Replace a damaged charger immediately.

- **Do not use an extension cord unless it is absolutely necessary –** Using the wrong, damaged or improperly wired extension cord poses a risk of fire and electric shock. If an extension cord must be used, plug the charger into a properly wired 16 gauge or larger extension cord with the female plug matching the male plug on the charger. Make sure that the extension cord is in good electrical condition.

- **Use only recommended attachments** – Use of an attachment not recommended or sold by the battery charger or battery pack manufacturer may result in risk of fire, electric shock or personal injury.
- **Unplug charger when not in use** – Make sure to remove battery packs from unplugged chargers.

⚠️ WARNING! To reduce the risk of electric shock, always unplug the charger before performing any cleaning or maintenance. Do not allow water to flow into the charger. Use a Ground Fault Circuit Interrupter (GFCI) to reduce shock hazards.

- **Do not burn or incinerate battery packs** – Battery packs may explode, causing personal injury or damage. Toxic fumes and materials are created when battery packs are burned.
- **Do not crush, drop or damage battery packs** – Do not use the battery pack or charger if they have sustained a sharp blow, been dropped, run over or have been damaged in any way (i.e. pierced with a nail, hit with a hammer, stepped on, etc.).
- **Do not disassemble** – Incorrect reassembly may pose a serious risk of electric shock, fire or exposure to toxic battery chemicals. If the battery or charger are damaged, contact an authorized Snow Joe® + Sun Joe® dealer or call the Snow Joe® + Sun Joe® customer service center at 1-866-SNOWJOE (1-866-766-9563) for assistance.
- **Battery chemicals cause serious burns** – Never let a damaged battery pack contact the skin, eyes or mouth. If a damaged battery pack leaks battery chemicals, use rubber or neoprene gloves to safely dispose of it. If skin is exposed to battery fluids, wash the affected area with soap and water and rinse with vinegar. If eyes are exposed to battery chemicals, immediately flush with water for 20 minutes and seek medical attention. Remove and dispose of contaminated clothing.
- **Do not short circuit** – A battery pack will short circuit if a metal object makes a connection between the positive and negative contacts on the battery pack. Do not place a battery pack near anything that may cause a short circuit, such as paperclips, coins, keys, screws, nails and other metallic objects. A short-circuited battery pack poses a risk of fire and severe personal injury.
- **Store your battery pack and charger in a cool, dry place** – Do not store the battery pack or charger where temperatures may exceed 105°F (40.5°C), such as in direct sunlight or inside a vehicle or metal building during the summer.

Information about the battery

1. The battery pack supplied with your cordless power tool is only partially charged. The battery pack has to be charged completely before you use the tool for the first time.
2. For optimum battery performance, avoid low discharge cycles by charging the battery pack frequently.
3. Store the battery pack in a cool place, ideally at 77°F (25°C) and charged to at least 40%.

4. Lithium-ion batteries are subject to a natural aging process. The battery pack must be replaced at the latest when its capacity falls to just 80% of its capacity when new. Weakened cells in an aged battery pack are no longer capable of meeting the high power requirements needed for the proper operation of your cordless spray washer, and therefore pose a safety risk.
5. Do not throw battery packs into an open fire as this poses a risk of explosion.
6. Do not ignite the battery pack or expose it to fire.
7. Do not exhaustively discharge batteries. Exhaustive discharge will damage the battery cells. The most common cause of exhaustive discharge is lengthy storage or non-use of partially discharged batteries. Stop working as soon as the performance of the battery falls noticeably or the electronic protection system triggers. Place the battery pack in storage only after it has been fully charged.
8. Protect batteries and the tool from overloads. Overloads will quickly result in overheating and cell damage inside the battery housing even if this overheating is not apparent externally.
9. Avoid damage and shocks. Immediately replace batteries that have been dropped from a height of more than 3 feet (1 meter) or those that have been exposed to violent shocks, even if the housing of the battery pack appears to be undamaged. The battery cells inside the battery may have suffered serious damage. In such instances, please read the waste disposal information for proper battery disposal.
10. If the battery pack suffers overloading and overheating, the integrated protective cutoff will switch off the equipment for safety reasons.
IMPORTANT! Do not press the ON/OFF switch any more if the protective cut-off has been activated. This may damage the battery pack.
11. Use only original battery packs. The use of other batteries poses a fire risk and may result in injuries or an explosion.

Information about the charger and the charging process

1. Please check the data marked on the rating plate of the battery charger. Be sure to connect the battery charger to a power supply with the voltage marked on the rating plate. Never connect it to a different mains voltage.
2. Protect the battery charger and its cord from damage. Keep the charger and its cord away from heat, oil and sharp edges. Have damaged cords repaired without delay by a qualified technician at an authorized Snow Joe® + Sun Joe® dealer or call the Snow Joe® + Sun Joe® customer service center at 1-866-SNOWJOE (1-866-766-9563).
3. Electrical plugs must match the outlet. Never modify the plug in any way. Do not use any adapter plugs with grounded appliances. Unmodified plugs and matching outlets will reduce the risk of electric shock.

4. Keep the battery charger, battery pack(s) and the cordless tool out of the reach of children.
 5. Do not use the supplied battery charger to charge other cordless tools.
 6. During periods of heavy use, the battery pack will become warm. Allow the battery pack to cool to room temperature before inserting it into the charger to recharge.
 7. Do not overcharge batteries. Do not exceed the maximum charging times. These charging times only apply to discharged batteries. Frequent insertion of a charged or partially charged battery pack will result in overcharging and cell damage. Do not leave batteries in the charger for days on end.
 8. Never use or charge batteries if you suspect that it has been more than 12 months since the last time they were charged. There is a high probability that the battery pack has already suffered dangerous damage (exhaustive discharge).
 9. Charging batteries at a temperature below 41°F (5°C) will cause chemical damage to the cells and may cause a fire.
 10. Do not use batteries that have been exposed to heat during the charging process, as the battery cells may have suffered dangerous damage.
 11. Do not use batteries that have suffered curvature or deformation during the charging process or those that exhibit other atypical symptoms (gassing, hissing, cracking, etc.).
 12. Never fully discharge the battery pack (maximum recommended depth of discharge is 80%). A complete discharge of the battery pack will lead to premature aging of the battery cells.
7. Store the charger and your cordless tool only in dry locations with an ambient temperature of 40-105°F (4.5-40.5°C). Store your lithium-ion battery pack in a cool, dry place at a temperature of 50-68°F (10-20°C). Protect the battery pack, charger and cordless tool from humidity and direct sunlight. Only place fully charged batteries in storage (charged to at least 40%).
 8. Prevent the lithium-ion battery pack from freezing. Battery packs that were stored below 32°F (0°C) for more than 60 minutes must be discarded.
 9. When handling batteries, be wary of electrostatic charge. Electrostatic discharges can damage the electronic protection system and the battery cells. Avoid electrostatic charging and never touch the battery poles.

IMPORTANT!

Safety Instructions for Walk-Behind Mowers

General Operation

- Read, understand and follow all instructions on the machine and in the manual(s) before starting.
- Do not put hands or feet near or under the machine. Always stay clear of the discharge opening.
- Only responsible adults who are familiar with the instructions should be allowed to operate this machine.
- Clear the mowing area of foreign objects such as rocks, wire, toys and other miscellaneous articles, which could be picked up and thrown by the blade. Stay behind the handle when the engine (motor) is running.
- Make sure that the mowing area is clear of bystanders before starting the machine. Stop the machine if anyone enters the area.
- Do not operate the machine barefooted or while wearing sandals. Always wear substantial footwear.
- Always look down and behind before and while moving backward with the mower.
- Never direct discharged material toward anyone. Avoid discharging material against a wall or other obstruction.
- Do not operate the machine without the entire grass catcher, discharge guard, rear guard or other safety protective devices in place and in proper working order.
- Never leave a running machine unattended.
- Stop the engine (motor) and wait until the blade comes to a complete stop before cleaning the machine, removing the grass catcher or unclogging the discharge guard.
- Operate the machine only in daylight or in good artificial light.

Protection from environmental influences

1. Wear suitable work clothes. Wear safety goggles.
2. Protect your cordless tool and the battery charger from moisture and rain. Moisture and rain can cause dangerous cell damage.
3. Do not use the cordless tool or the battery charger near vapors and flammable liquids.
4. Use the battery charger and cordless tools only in dry conditions and at an ambient temperature of 41 – 105°F (5 – 40.5°C).
5. Do not keep the battery charger in places where the temperature is liable to reach over 104°F (40°C). In particular, do not leave the battery charger in a car that is parked in the sunshine.
6. Protect batteries from overheating. Overloads, overcharging and exposure to direct sunlight will result in overheating and cell damage. Never charge or work with batteries that have been overheated – replace them immediately, if possible.

- Do not operate the machine when you are tired or under the influence of alcohol or drugs.
- Never operate the mower in wet grass. Always be sure of your footing; walk, never run, with the mower.
- If the machine should start to vibrate abnormally, stop the engine (motor) and immediately check the machine to ascertain the cause. Vibration is generally a signal of trouble.
- Keep blades sharp.
- Keep hands and feet away from the cutting area.
- Always wear eye protection when operating the machine.
- Objects struck by the lawn mower blade can cause severe injuries. The mowing area should always be carefully examined and cleared of all objects prior to each mowing.
- If you strike a foreign object, stop and inspect the machine. Repair, if necessary, before restarting.
- Never make any adjustments or repairs with the engine (motor) running. Always plug out the safety key before adjusting, cleaning or repairing.
- Check the grass bag components and the discharge guard frequently and replace with manufacturer's recommended parts when necessary.
- Mower blades are sharp. Wrap the blade or wear gloves, and use extra caution when servicing them.
- Maintain or replace safety and instruction labels, as necessary.
- If your power tool requires service, contact an authorized Snow Joe® + Sun Joe® dealer or call the Snow Joe® + Sun Joe® customer service center at 1-866-SNOWJOE (1-866-766-9563). Only identical replacement parts should be utilized for repairs. This will ensure that the safety of the power tool is maintained.
- If the battery charger cable is damaged, it must be immediately replaced to avoid a hazard. Contact the Snow Joe® + Sun Joe® customer service center at 1-866-SNOWJOE (1-866-766-9563) for assistance.

Slope Operation

Slopes are major factors related to slip and fall accidents, which can result in severe injury. Operation on all slopes requires extra caution. If you feel uneasy on a slope, do not mow it.

- Mow across the face of slopes; never mow slopes following an up and down traverse. Exercise extreme caution when changing direction on a slope.
- Watch for holes, ruts, bumps, rocks or other hidden objects. These may cause an unexpected slip or fall.
- Do not mow on wet grass or excessively steep slopes. Poor footing could cause a slip and fall accident.
- Do not mow near drop offs, ditches or embankments. You could lose your footing or balance.

Children

Tragic accidents can occur if the operator is not alert to the presence of children. Children are often attracted to the machine and the mowing activity. Never assume that children will remain where you last saw them.
















- Keep children out of the mowing area and under the watchful care of a responsible adult other than the operator.
- Stay alert and turn the mower off if a child enters the area.
- Never let children operate the machine.
- Use extra care when approaching blind corners, shrubs, trees or other objects that may block your view of a child.

Service

- Stop the machine and disconnect the safety key before servicing, cleaning, or removing grass from the lawn mower.
- Keep all nuts and bolts tight.
- Never tamper with safety devices. Regularly check to ensure these devices are in place and in proper working order.
- Keep the mower free from grass, leaves or other debris buildup.

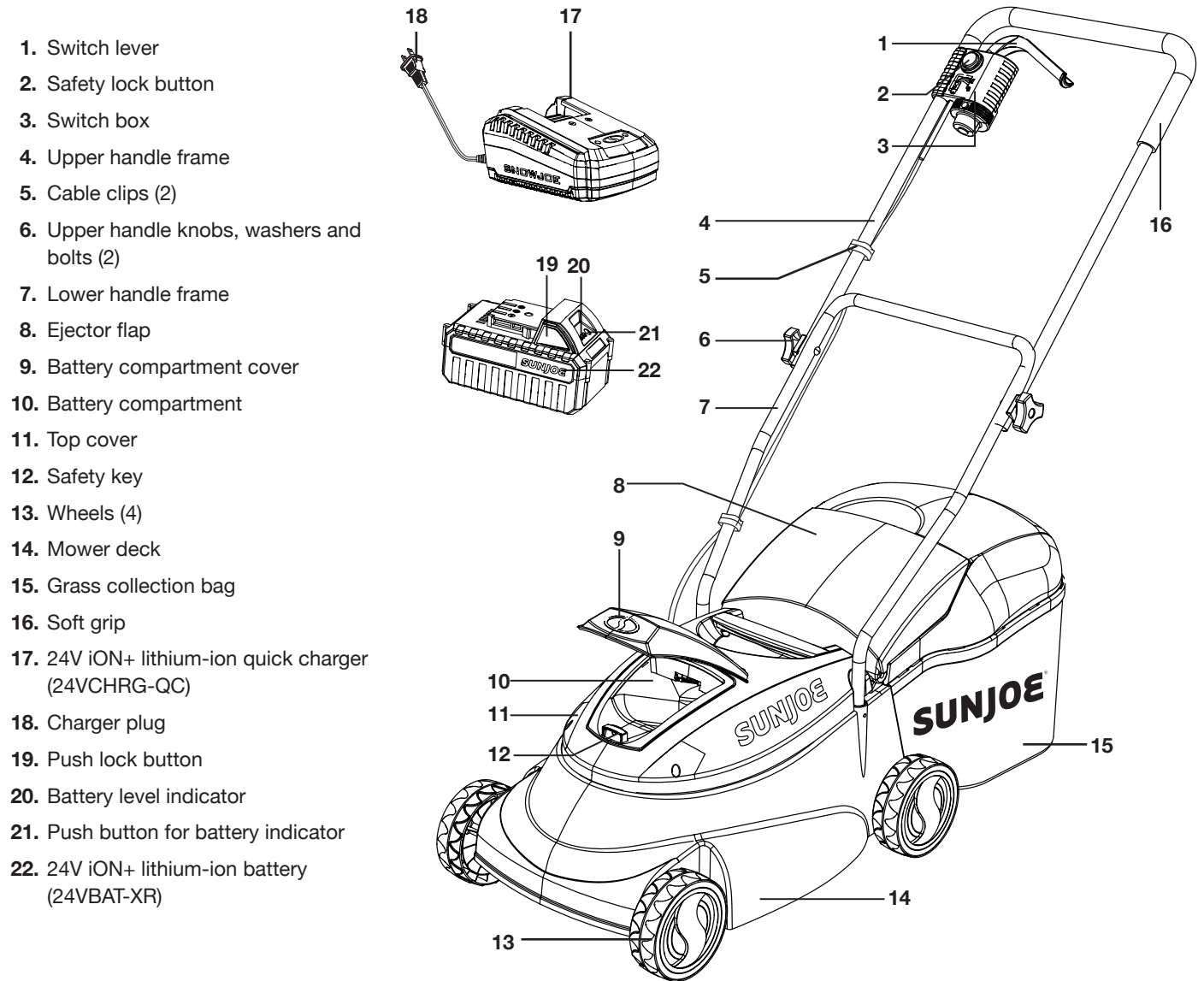
Safety Symbols

The following table depicts and describes safety symbols that may appear on this product. Read, understand and follow all instructions on the machine before attempting to assemble and operate.

Symbols	Descriptions	Symbols	Descriptions
	DANGER! Rotating blades. Keep hands and feet away.		Keep bystanders and children a safe distance away.
	Safety Alert. Caution. To reduce the risk of injury, user must read instruction manual.		Wear eye and hearing protection. For protection against injury, wear ear defenders and safety goggles.
	WARNING! Do not expose or operate the unit in rain or wet conditions. Keep dry.		Wear protective gloves and non-slip footwear when using the machine and handling debris.
	Slip on slope hazard – Use extra caution when mowing on slopes to prevent slip and fall accidents.		Severing of toes or fingers by rotary mower blade.
	Thrown objects and rotating blade can cause severe injury.		Keep bystanders a safe distance away from the work area.
	Blades continue to rotate after machine is switched off.		WARNING! Always turn the machine OFF and remove the safety key before conducting inspection, cleaning and maintenance.
	Rotating blades, keep hands and feet away from the opening while the machine is running.		Look behind when backing up with the lawn mower.
	Indoor use only. Only use battery charger indoors.		

Know Your Cordless Lawn Mower

Read the owner's manual and safety instructions carefully before operating the mower. Compare the illustration below to the mower in order to become familiar with the location of the various controls and adjustments. Save this manual for future reference.



1. Switch lever
2. Safety lock button
3. Switch box
4. Upper handle frame
5. Cable clips (2)
6. Upper handle knobs, washers and bolts (2)
7. Lower handle frame
8. Ejector flap
9. Battery compartment cover
10. Battery compartment
11. Top cover
12. Safety key
13. Wheels (4)
14. Mower deck
15. Grass collection bag
16. Soft grip
17. 24V iON+ lithium-ion quick charger (24VCHRG-QC)
18. Charger plug
19. Push lock button
20. Battery level indicator
21. Push button for battery indicator
22. 24V iON+ lithium-ion battery (24VBAT-XR)

Technical Data

Motor	600W Brushless	No Load Speed	3000 rpm
Battery Voltage Max*	24V D.C.	Cutting Width	14 in. (35.6 cm)
Battery Capacity	5.0 Ah	Cutting Height	1.18 in. to 2.52 in. (30 mm to 64 mm)
Charger Input	120V AC 60 Hz 75 W	Grass Bag Capacity	10.6 gal (40 l)
Charger Output	26 DC 2.2 A	Wheel Size	5.5 in. (14 cm)
Charge Time Max	2 hours 20 mins	Net Weight	23.7 lbs (10.8 kg)

*Initial no-load voltage, when fully charged, peaks at 24 volts; nominal voltage under typical load is 21.6 volts.

Unpacking

Carton Contents

- Cordless lawn mower
- Grass collection bag
- Grass collection bag support rod
- Upper handle frame
- Upper handle knob, washer and bolt (2)
- Lower handle frame
- Lower handle screws (2)
- Spanner
- Cable clips (2)
- 24V iON+ lithium-ion battery
- 24V iON+ lithium-ion quick charger
- Manual with registration card

1. Carefully remove the lawn mower and check to see that all of the above items are supplied.
2. Inspect the product carefully to make sure no breakage or damage occurred during shipping.

NOTE: Do not discard the shipping carton and packaging material until you are ready to use your new cordless lawn mower. The packaging is made of recyclable materials. Properly dispose of these materials in accordance with local regulations.

IMPORTANT! The equipment and packaging material are not toys. Do not let children play with plastic bags, foils, or small parts. These items can be swallowed and pose a suffocation risk!





Battery Pack Operation

The equipment is powered by a lithium-ion battery. The battery pack is completely sealed and maintenance free.

Battery Charge Level Indicator

The battery pack is equipped with a push button for checking the charge level. Simply press the push button to read off the battery charge level from the LEDs of the battery indicator:

- All 3 level monitoring LEDs are lit: Battery charge level is high.
- 2 level monitoring LEDs are lit: Battery charge level is decreasing. Stop work as soon as possible.
- 1 level monitoring LED is lit: Battery is flat. Stop work IMMEDIATELY and charge the battery. Otherwise the battery's service life will be greatly shortened.

Lights	Light Indicators
	Charge level button
	The battery is at 30% capacity and requires charging
	The battery is at 60% capacity and requires charging soon
	The battery is at full capacity

NOTE: If the charge level button does not appear to be working, insert the charger and charge as needed.

NOTE: Immediately after using the battery pack, the charge level button may display a lower charge than it will if checked a few minutes later. The battery cells "recover" some of their charge after resting.

Charger Operation

⚠ WARNING! Charge only 24V iON+ lithium-ion battery packs with its compatible 24V iON+ lithium-ion battery charger. Other types of batteries may cause personal injury and damage. To reduce the risk of electric shock, do not allow water to flow into the charger's AC/DC plug.

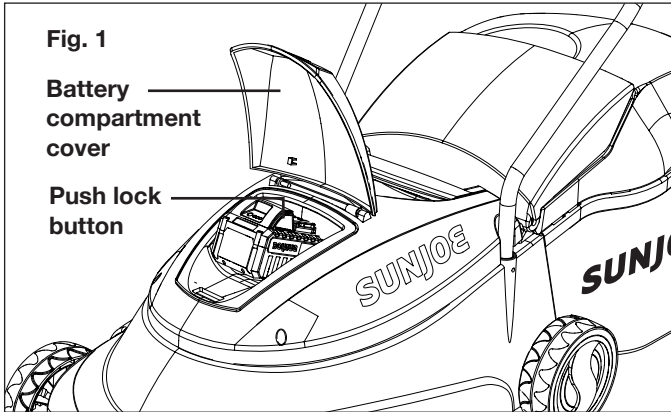
When to Charge the iON+ 24VBAT-XR Lithium-iON Battery

NOTE: The iON+ 24VBAT-XR lithium-iON battery pack do not develop a "memory" when charged after only a partial discharge. Therefore, it is not necessary to run down the battery pack before inserting the charger plug.

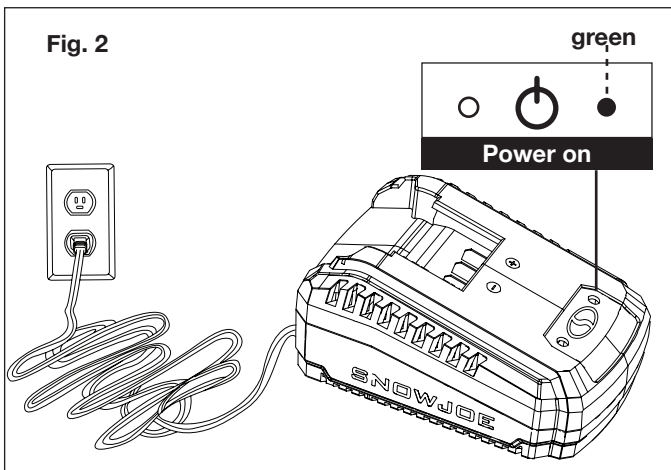
- Use the battery indicator lights to determine when to charge your iON+ 24VBAT-XR lithium-iON battery pack.
- You can "top-off" your battery pack's charge before starting a big job or after a long day of use.

Charging the Battery

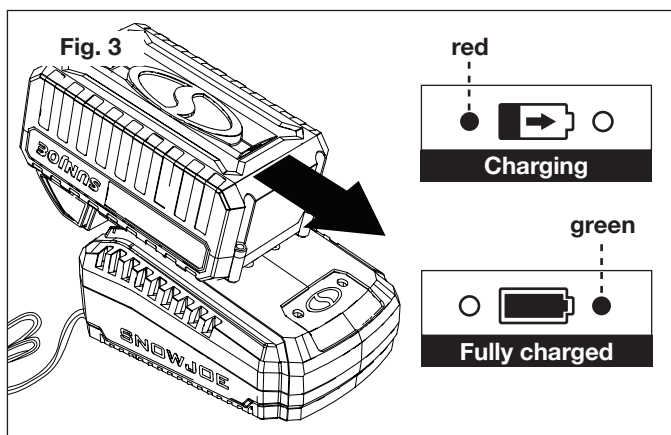
1. Open the battery compartment cover, and push the push lock button on the battery to pull the battery out from the battery compartment (Fig. 1).



2. Check that the mains voltage is the same as that marked on the rating plate of the quick charger. Then, plug the charger adapter into an appropriate AC power outlet (Fig. 2).



3. Place the battery pack into the charger by sliding the pack as shown to lock it into position. When you insert the battery into the charger, the bottom red light on the charger will illuminate to indicate that the battery is charging (Fig. 3).
4. The battery indicator LEDs will twinkle and illuminate one by one during the charging process. When the 3 LEDs are all illuminated green and the green LED on the charger is on, the battery is fully charged. Unplug the charger immediately (Fig. 3).



5. The battery will take approximately 2 hours 20 minutes to charge. The charge indicator LED will become green when the battery is fully charged, unplug the charger immediately when the green light is on.

⚠ CAUTION! FIRE HAZARD. When disconnecting the charger from the battery, be sure to unplug the charger from the outlet first, then disconnect the charger from the battery

⚠ WARNING! This charger does not automatically turn off when the battery is fully charged. Please take care not to leave the battery plugged into the charger. Switch off or unplug the charger at the mains when charging is complete.

4. Timely recharging of the battery will help prolong the battery's life. You must recharge the battery pack when you notice a drop in the equipment's power.

IMPORTANT! Never allow the battery pack to become fully discharged as this will cause irreversible damage to the battery.

Assembly

⚠ WARNING! Do not insert the safety key until assembly is complete. Failure to comply could result in accidental starting and serious personal injury.

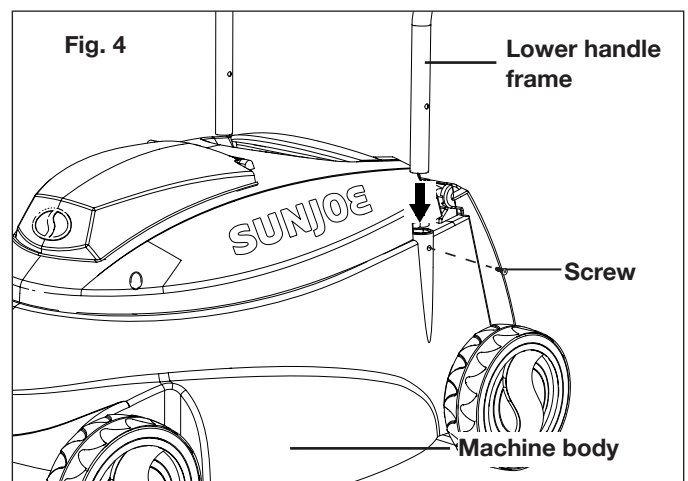
⚠ WARNING! Before performing any maintenance, make sure the key is removed from the unit. Failure to heed this warning could result in serious personal injury.

⚠ WARNING! The product must be fully assembled before operation. Do not use a product that is only partially assembled or assembled with damaged parts.

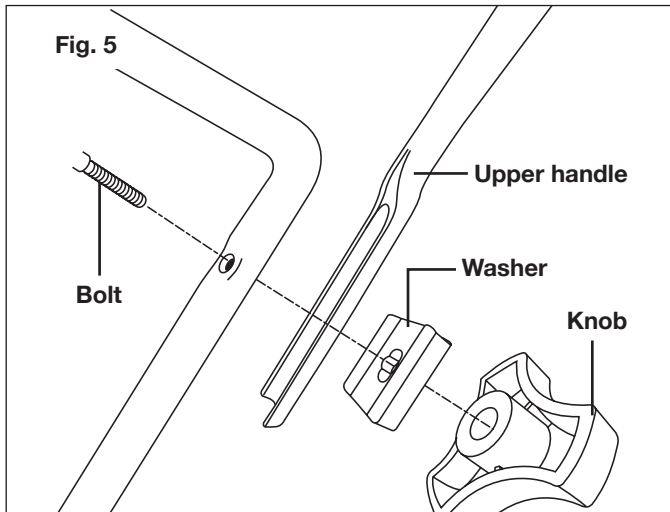
NOTE: Before using the mower, follow these instructions to assemble the handle and grass bag.

Handle Assembly

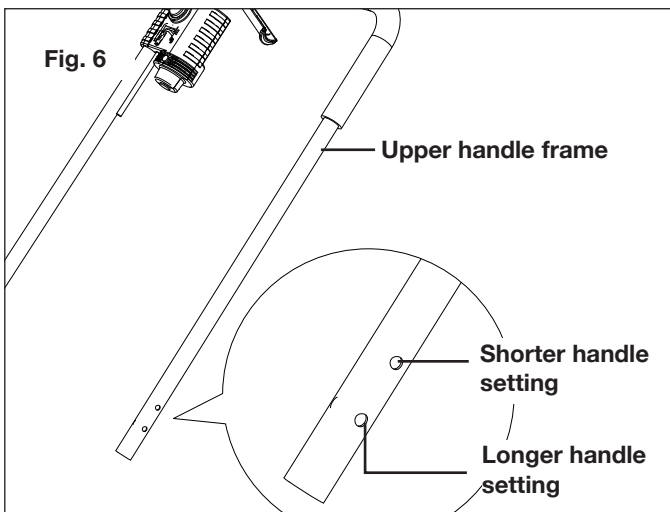
1. Fit the lower handle frame into the two holes in the machine body and fasten the handle on both sides with the screws provided (Fig. 4).



2. Join the upper handle frame to the lower handle frame using the knob, washer and bolt provided (Fig. 5). Repeat on the opposite side.



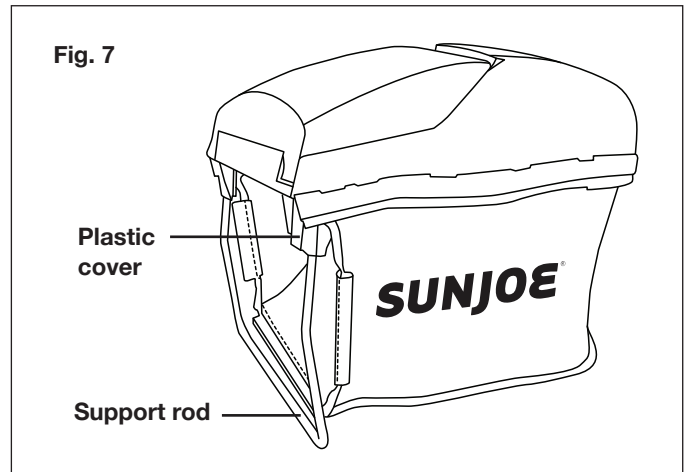
NOTE: The upper handle is equipped with two sets of holes on each side of the frame, however, only one set is necessary to secure to the lower handle (Fig. 6). Simply select your preferred height, and secure as shown (Fig. 5).



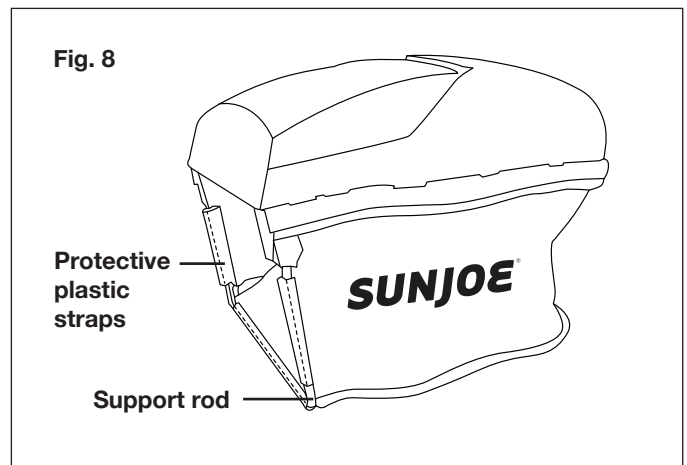
3. Secure the power cable to the lawn mower by using the cable clips.

Grass Collection Bag Assembly + Fitting

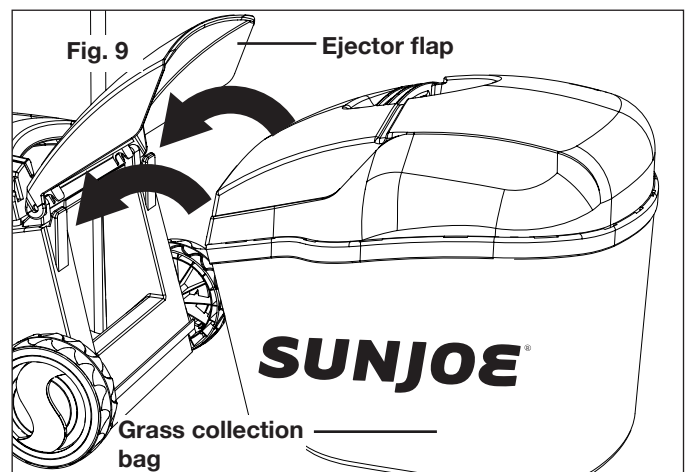
1. Fit the support rod into the holes in the plastic cover. The bend of the support rod should face the rear of the machine (Fig. 7).



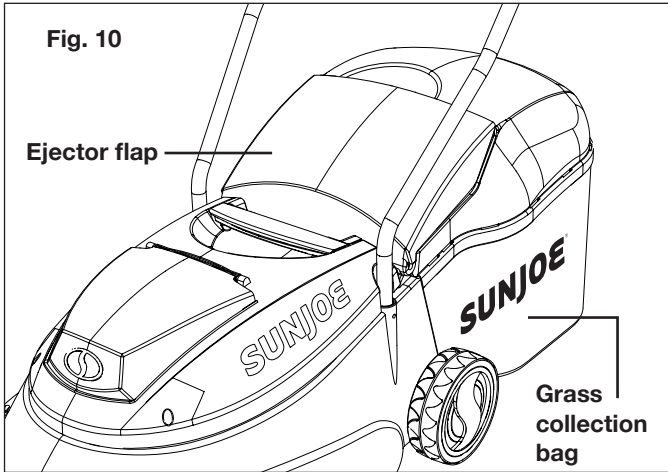
2. Place the protective plastic straps onto the support rod (Fig. 8).



3. Lift the ejector flap with one hand. With the other hand, hold the grass collection bag by the handle and hook it in from above (Fig. 9).



4. Release the ejector flap to secure the grass collection bag in position (Fig. 10).



Operation

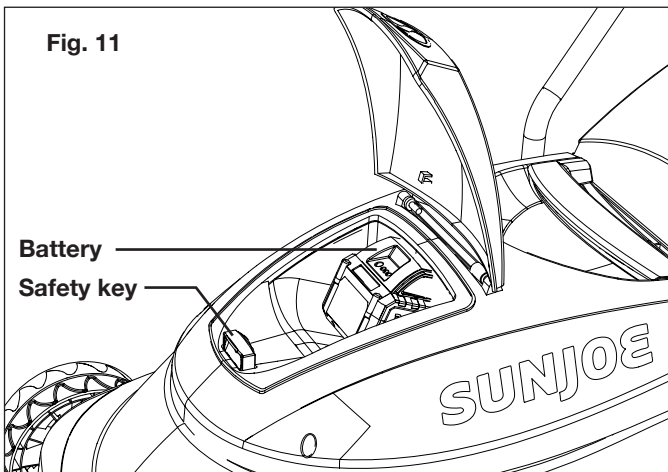
This lawn mower is intended for private residential use to cut grass in small lawns and gardens. This lawn mower is not intended to cut grass in public parks, playing fields, farms or forests. Do not use this lawn mower for any application other than that for which it is intended.

Starting + Stopping

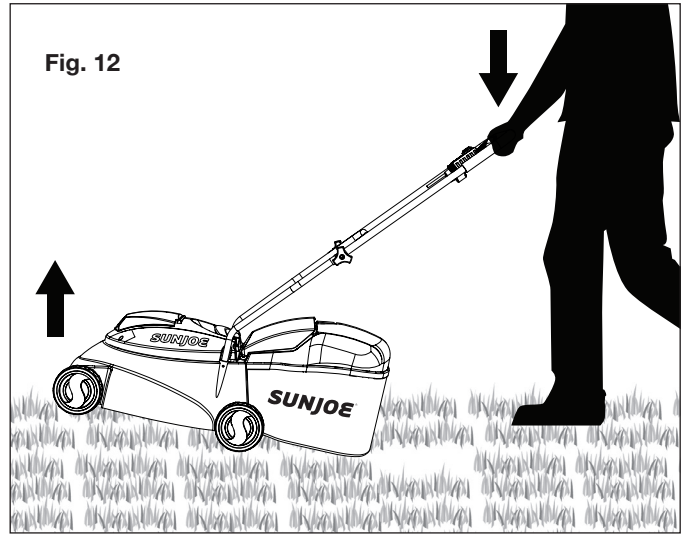
⚠ WARNING! Before switching on the mower, make sure that it is not in contact with any foreign objects. Keep your hands and feet a safe distance away from the rotating mower blade and the ejector opening. Failure to comply with these warnings can result in severe personal injury.

IMPORTANT: Do not start the mower in tall grass.

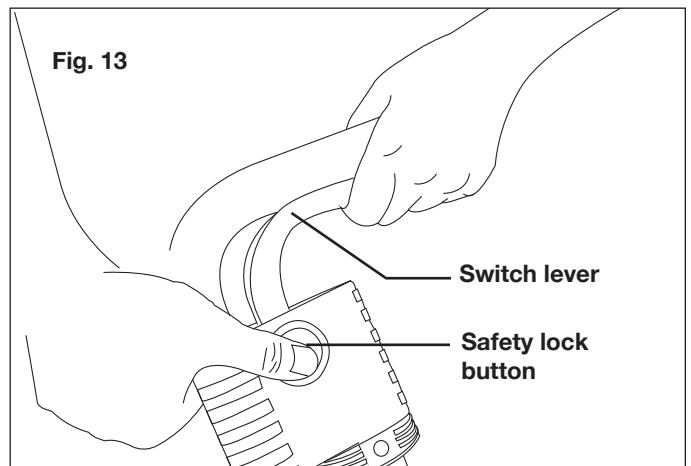
1. Before starting the unit, make sure the battery and the safety key are inserted in their slots properly (Fig. 11).



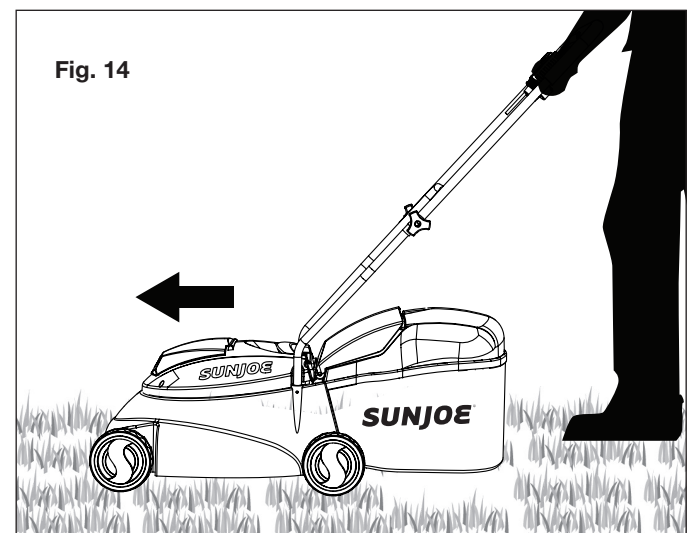
2. Before starting the lawn mower, hold the handle assembly with both hands and tilt the handle downward to slightly raise the front of the lawn mower. This will reduce the risk of lawn damage during start-up (Fig. 12).



3. To start the cordless lawn mower, press and hold the safety lock button while pulling the switch lever toward you (Fig. 13).



4. Once the machine powers on, release the safety lock button and proceed with operation, gently lowering the mower down into the cutting position (Fig. 14).



- To stop the mower, release the switch lever.

⚠WARNING! The mower blade will continue to rotate for a brief period after the unit has been switched off. Do not tilt or carry the unit while the motor is still running and do not touch the blade while it is still rotating. Failure to comply could result in severe personal injury.

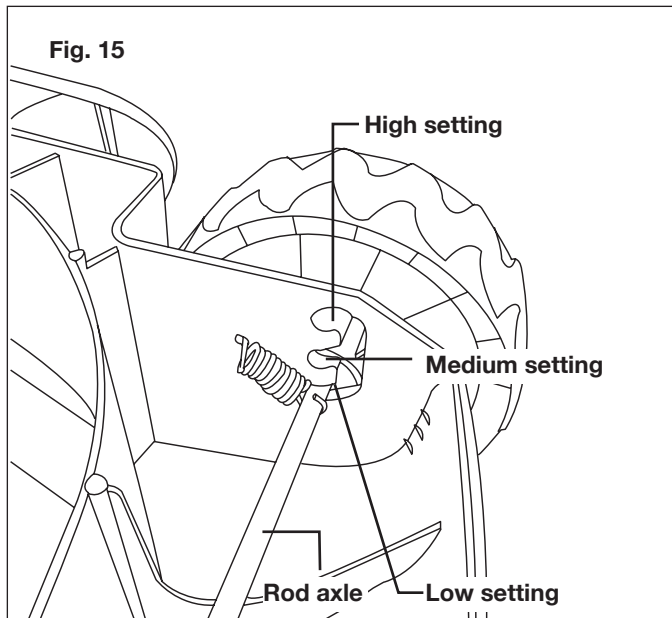
Adjusting the Cutting Height

Follow these instructions to adjust the cutting height of the lawn mower.

⚠WARNING! Before making these adjustments, disconnect the power supply to the mower by plugging out the safety key from the slot, and wait until the rotating blade has come to a complete standstill. Wearing gloves is recommended due to the close proximity of the cutting blade.

ALWAYS FOLLOW ALL SAFETY PRECAUTIONS AND RECOMMENDATIONS LISTED PREVIOUSLY IN THIS MANUAL.

- Power off and remove the safety key from the slot.
- Remove and empty the grass collection bag.
- Place the lawn mower on its side.



- The wheel axles can be placed into 3 different cutting heights: low (will cut grass the shortest), medium, and high (Fig. 15).

3-Position Height Adjustment:

- Low: 1.18 in. (30 mm)
- Medium: 1.93 in. (49 mm)
- High: 2.52 in. (64 mm)

The cutting height tolerance is +/- 5 mm (+/- 0.2 in.).

- Move all four wheels to the desired cutting height by pulling back on the rod axle and setting it to the desired position. Make sure all four wheels are at the same cutting height position.

NOTE: Set the mower to the highest cutting height when mowing on uneven ground or in tall weeds.

- Place the lawn mower back on to its wheels and reattach the grass collection bag.
- Insert the safety key into the slot and resume normal use.

Mowing Tips

⚠WARNING! Inspect the area prior to mowing and remove all the stones, sticks, wires and other foreign objects that could be picked up and thrown by the rotating blade. Failure to comply not only will damage the mower blade, but can also lead to serious personal injury.

- Be sure to check the mowing blade periodically for signs of wear and sharpen it at least once per year, as described in the maintenance section.

NOTE: A sharp blade will greatly enhance the performance of the mower, especially when cutting tall blades of grass.

- When cutting thick grass, reduce your walking speed in order to allow for a more effective cut and a proper discharge of the clippings. For a healthy lawn, always cut off one-third or less from the total length of the grass. The average lawn should be approximately 1.5 to 2 in. (3.8 to 5 cm) long during cool months, and more than 2 in. (5 cm) long during hot months. If there is growth, the lawn should be cut in the fall.
- The lawn will look better if it is always cut to the same height and in alternate directions.
- When crossing any gravelled surfaces, release the switch bar lever to turn off the mower. The stones can be picked up and thrown by the rotating blade.
- Set the mower to the highest cutting height when mowing on uneven ground or in tall weeds.

⚠WARNING! If you strike a foreign object, stop the motor and remove the safety key. Thoroughly inspect the mower and repair any damage before resuming work.

- IMPORTANT!** Never open the ejector flap when the grass collection bag has been detached (to be emptied) and the motor is still running. A rotating blade can cause serious injuries!
- Always carefully fasten the ejector flap and grass collection bag. Switch off the motor before emptying the grass collection bag. Always ensure that a safe distance (provided by the length of the long handles) is maintained between the user and the mower housing. Be especially careful when mowing and changing direction on slopes and inclines.

- Maintain a solid footing and wear sturdy, non-slip footwear and long trousers. Always mow across an incline (not up and down).
- For safety reasons, the lawn mower may not be used to mow inclines with gradients exceeding 15 degrees.
- Use special caution when backing up and pulling the lawn mower towards you as such maneuvering of the machine poses a tripping hazard.

Maintenance + Care

⚠️ WARNING! Before cleaning, repairing or inspecting the mower, disconnect the power supply by plugging out the safety key and verify that all moving parts have come to a complete stop.

General

- Always keep the mower clean and free of grass, dirt or other debris.
- Keep the handles dry, clean and free of oil and grease.
- After each cutting session, remove accumulated grass clippings and debris using either a dry cloth or handbrush. You may also clean the equipment with a damp cloth and some soft, non-abrasive soap. Do not use cleaning agents or harsh solvents as they may damage the equipment's plastic components. Make sure that no water penetrates the equipment's interior as intake of water can destroy the switch/plug mechanism and the electric motor.
- Do not clean the lawn mower with running water, particularly with high-pressure water.
- Check all nuts, bolts and screws for proper tightness before each use.
- Frequently inspect the grass collection bag assembly for signs of wear and replace immediately with a genuine part if damage is found.
- Replace excessively worn or damaged parts immediately.
- To maximize your mower's longevity, all screwed parts, including the wheels and axles, should be cleaned and lubricated. There are no parts inside the equipment which require additional maintenance or lubrication.

Blade Maintenance

IMPORTANT: The mower blade is sharp and can cause severe personal injury if handled incorrectly. Wrap the blade or wear protective gloves, and use extra caution when handling.

The steel blade is designed to provide a fine cut in long or tough grass. Deterioration in the quality of cut indicates blade wear or damage. Follow these steps to determine if the blade needs to be resharpened or replaced:

1. Disconnect the power supply to the mower by removing the safety key.
2. Turn the mower on its side to expose the underside of the blade housing.

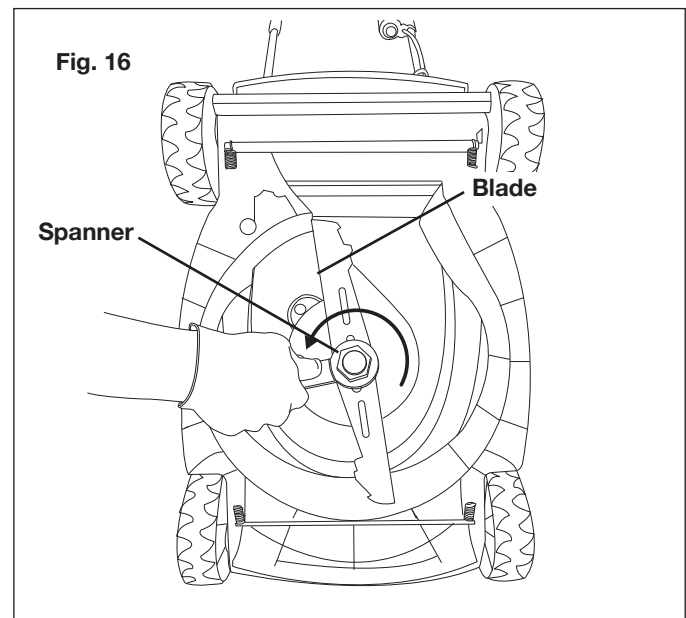
3. Check the blade.
 - a. If the blade is blunt or has minor wear, then resharpen.
 - b. If the blade shows signs of major wear or damage (i.e. gouged, bent), replace.

⚠️ WARNING! An excessively vibrating mower indicates that the blade is not properly balanced or has become deformed from striking an object. In this case, the blade must be repaired or replaced. Please follow the proper maintenance procedures for blade care.

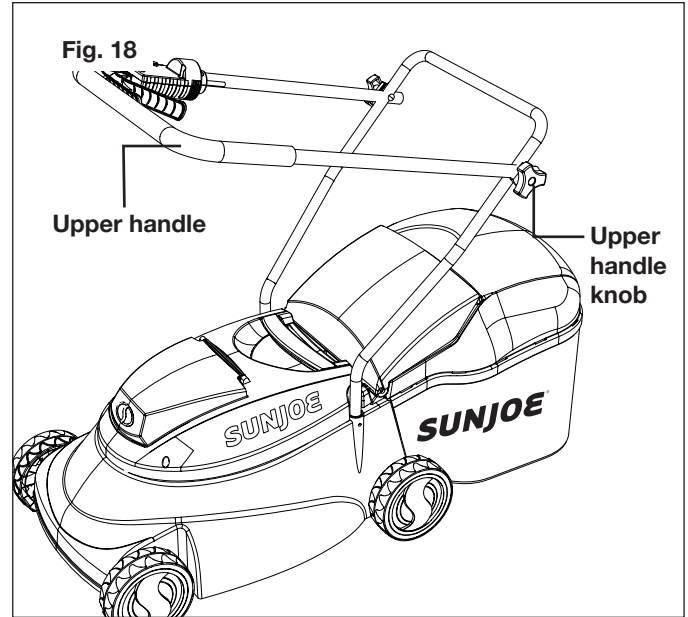
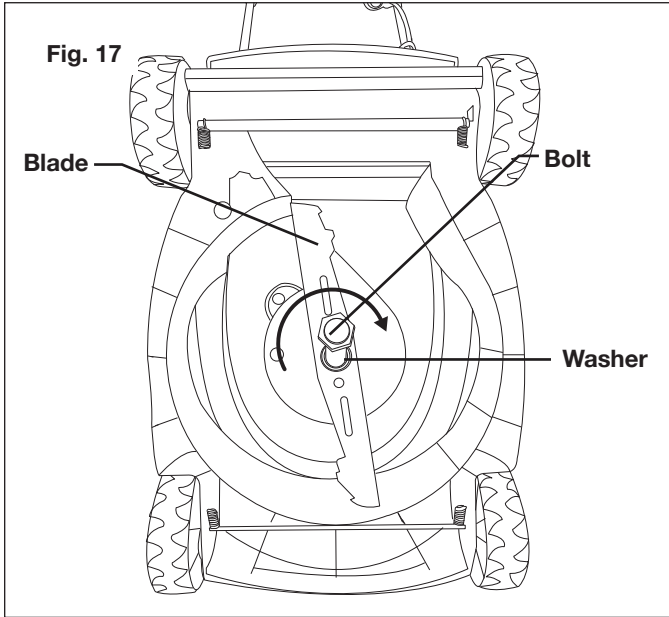
Blade Replacement

IMPORTANT: Only use original replacement parts specified for this mower. The use of parts that do not meet the original equipment specifications may lead to improper performance of the lawn mower, may compromise operator safety.

1. Disconnect the safety key to the mower.
2. Turn the mower on its side to expose the underside of the blade housing.
3. Use a cloth to grip the blade or wear heavy-duty gloves.
4. Using the spanner provided, remove the bolt and the washer securing the blade by turning the bolt counterclockwise, then carefully remove the blade (Fig. 16).



5. Fit the new blade, the washer and the bolt back on following the same steps in reverse order (Fig. 17).



Storage

Follow the steps below to prepare the lawn mower for storage:

1. Remove the safety key from the slot.
2. Clean the mower with a damp cloth or hand brush.
3. Inspect the mower carefully for worn, loose or damaged parts. Check connections and screws and tighten if necessary. Pay special attention to the mower blade and replace/sharpen if it shows signs of wear. Refer to the Maintenance and Care section.
4. Store the mower indoors in a dry, clean and cool area out of the reach of children. Do not store the unit next to corrosive materials, such as fertilizer and rock salt.
5. Do not cover the lawn mower with a solid plastic sheet. Plastic coverings trap moisture around the mower, which can damage the unit.
6. The handle on your lawn mower can be folded for compact storage. Start by loosening the handle knobs on each side of the upper handle and fold down the upper handle (Fig. 18).

Disposal

Recycling + Disposal

The product comes in a package that protects it against damage during shipping. Keep the package until you are sure that all parts have been delivered and the product is functioning properly. Recycle the package afterwards or keep it for long-term storage.



WEEE symbol. Waste electrical products should not be disposed of with household waste. Please recycle where facilities exist. Check with your local authority or local store for recycling regulations.

Battery Caution + Disposal

Always dispose of your battery pack according to federal, state, and local regulations. Contact a recycling agency in your area for recycling locations.

⚠ CAUTION! Even discharged battery packs contain some energy. Before disposing, use electrical tape to cover the terminals to prevent the battery pack from shorting, which could cause a fire or explosion.

⚠ WARNING! To reduce the risk of injury or explosion, never burn or incinerate a battery pack even if it is damaged, dead or completely discharged. When burned, toxic fumes and materials are emitted into the surrounding atmosphere.

1. Batteries vary according to device. Consult your manual for specific information.
2. Install only new batteries of the same type in your product (where applicable).
3. Failure to insert batteries in the correct polarity, as indicated in the battery compartment or manual, may shorten the life of the batteries or cause batteries to leak.
4. Do not mix old and new batteries.
5. Do not mix Alkaline, Standard (Carbon-Zinc) or Rechargeable (Nickel Cadmium, Nickel Metal Hydride, Wor Lithium-Ion) batteries.
6. Do not dispose of batteries in fire.
7. Batteries should be recycled or disposed of as per state and local guidelines.

Service + Support

If your Sun Joe® MJ24C-14-XR cordless lawn mower requires service or maintenance, please call 1-866-SNOWJOE (1-866-766-9563) for assistance.

Model + Serial Numbers

When contacting the company or reordering parts, you will need to provide the model and serial numbers of your product. These are found on the decal affixed to the housing or handle of your mower. Copy these numbers into the space provided below.

Record the following numbers from the housing or handle of your new product:	
Model #:	<input style="width: 100%; border: none;" type="text" value="M J 2 4 C - 1 4 - X R"/>
Serial #:	<input style="width: 100%; border: none;" type="text"/>

24VCHRG-QC

Federal Communications Commission (FCC)

⚠️ WARNING! Any changes or modifications to this unit not expressly approved by the party responsible for compliance could void the user's authority to operate the equipment.

Class B device:

NOTE: This equipment has been tested and found to comply with the limits for a Class B digital device, pursuant to part 15 of the FCC Rules.

These limits are designed to provide reasonable protection against harmful interference in a residential installation.

This equipment generates, uses and can radiate radio frequency energy and, if not installed and used in accordance with the instructions, may cause harmful interference to radio communications.

However, there is no guarantee that interference will not occur in a particular installation.

If this equipment does cause harmful interference to radio or television reception, which can be determined by turning the equipment off and on, the user is encouraged to try to correct the interference by one or more of the following measures:

- Reorient or relocate the receiving antenna.
- Increase the separation between the equipment and receiver.
- Connect the equipment into an outlet on a circuit different from that to which the receiver is connected.
- Consult the dealer or an experienced radio/TV technician for help.

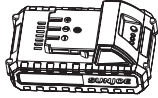
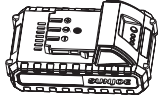


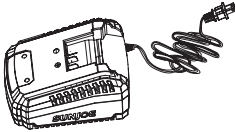
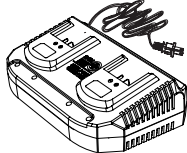
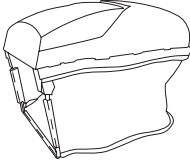
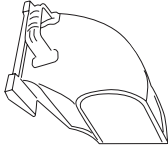
Troubleshooting

- Remove the safety key before carrying out maintenance on the machine or when checking that its parts are in proper working order.
- To avoid unnecessary hassles, consult the following table before contacting a qualified repair person with any mechanical issues.

Fault	Possible Cause	Remedy
Mower fails to start	<ul style="list-style-type: none"> a) The safety key is not inserted b) The motor/blade control is disengaged c) The battery is flat d) The mower deck is clogged with grass or debris e) The grass is too tall 	<ul style="list-style-type: none"> a) Insert the safety key b) Press safety lock button first ,then the switch lever. c) Charge the battery d) Clean the mower deck. Make sure the blade is free to move e) Set the mower to a high cutting height. Lift the front wheels slightly by pressing down on the handle bar.
Mower stops while mowing	<ul style="list-style-type: none"> a) The battery is flat b) The grass is too tall c) The mower deck is clogged with grass or debris d) The machine is overload and switched off by the overload protection system 	<ul style="list-style-type: none"> a) Charge the battery b) Reset the cutting height c) Clean the mower deck. Make sure the blade is free to move d) Cool down the machine for 5 mins. Wait for the overload protection to reset the machine
The mower cannot cut grass evenly	<ul style="list-style-type: none"> a) The lawn is rough or uneven b) The blade is not sharp enough 	<ul style="list-style-type: none"> a) Adjust cutting height b) Sharpen or replace the blade
The mower cannot mulch properly	<ul style="list-style-type: none"> a) The mower deck is clogged with grass or debris b) The grass is too wet c) The grass is too tall d) The blade is not sharp enough 	<ul style="list-style-type: none"> a) Clean the mower deck. Make sure the blade is free to move b) Wait until the grass is dry c) Adjust the cutting height to the high position to mow for the first time, and mow again at the desired height setting d) Sharpen or replace the blade
The mower is difficult to push	<ul style="list-style-type: none"> a) The grass is too tall to cut b) The blade or the mower rear is dragged by heavy grass 	<ul style="list-style-type: none"> a) Adjust cutting height higher
The mower is vibrating at high speed	<ul style="list-style-type: none"> a) The motor shaft is bent b) The blade is unbalanced c) The blade screw is loosen 	<ul style="list-style-type: none"> a) Stop the motor, remove the safety key, and inspect the damage. Cottact with a qualified repair person. b) Balance the blade by grinding each cutting edge equally or replace a new one c) Tighten the blade bolt

Optional Accessories

⚠️ WARNING! ALWAYS use only authorized Snow Joe® + Sun Joe® replacement parts and accessories. NEVER use replacement parts or accessories that are not intended for use with this tool. Contact Snow Joe® + Sun Joe® if you are unsure whether it is safe to use a particular replacement part or accessory with your tool. The use of any other attachment or accessory can be dangerous and could cause injury or mechanical damage.

Accessories	Item	Model
	24V iON+ 2.0 Ah Lithium-iON Battery	24VBAT-LTE
	24V iON+ 2.5 Ah Lithium-Ion Battery	24VBAT-LT
	24V iON+ 4.0 Ah Lithium-Ion Battery	24VBAT
	24V iON+ 5.0 Ah Lithium-Ion Battery	24VBAT-XR
	24V iON+ Lithium-Ion Battery Quick Charger	24VCHRG-QC
	24V iON+ Lithium-Ion Battery Dual Port Charger	24VCHRG-DPC
	10.6-gallon (40 l) grass collection bag	MJ401E-10
	Lawn mower side-discharge chute accessory	MJ401E-DCA

NOTE: Accessories are subject to change without any obligation on the part of Snow Joe® + Sun Joe® to provide notice of such changes. Accessories can be ordered online at sunjoe.com or via phone by contacting the Snow Joe® + Sun Joe® customer service center at 1-866-SNOWJOE (1-866-766-9563).



SNOW JOE® + SUN JOE® CUSTOMER PROMISE

ABOVE ALL ELSE, Snow Joe, LLC (“Snow Joe”) is dedicated to you, our customer. We strive to make your experience as pleasant as possible. Unfortunately, there are times when a Snow Joe®, Sun Joe®, or Aqua Joe® product (“Product”) does not work or breaks under normal operating conditions. We think it’s important that you know what you can expect from us. That’s why we have a Limited Warranty (“Warranty”) for our Products.

OUR WARRANTY:

Snow Joe warrants new, genuine, powered and non-powered Products to be free from defects in material or workmanship when used for ordinary household use for a period of two years from the date of purchase by the original, end-user purchaser when purchased from Snow Joe or from one of Snow Joe’s authorized sellers with proof of purchase. Because Snow Joe is unable to control the quality of its Products sold by unauthorized sellers, unless otherwise prohibited by law, this Warranty does not cover Products purchased from unauthorized sellers. If your Product does not work or there’s an issue with a specific part that is covered by the terms of this Warranty, Snow Joe will elect to either (1) send you a free replacement part, (2) replace the Product with a new or comparable product at no charge, or (3) repair the Product. How cool is that!

This Warranty gives you specific legal rights, and you may also have other rights which vary from State to State.

PRODUCT REGISTRATION:

Snow Joe strongly encourages you to register your Product. You can register online at snowjoe.com/register, or by printing and mailing in a registration card available online from our website, or calling our Customer Service Department at **1-866-SNOWJOE (1-866-766-9563)**, or by e-mailing us at help@snowjoe.com. Failure to register your Product will not diminish your warranty rights. However, registering your Product will allow Snow Joe to better serve you with any of your customer service needs.

WHO CAN SEEK LIMITED WARRANTY COVERAGE:

This Warranty is extended by Snow Joe to the original purchaser and original owner of the Product.

WHAT IS NOT COVERED?

This Warranty does not apply if the Product has been used commercially or for non-household or rental applications. This Warranty also does not apply if the Product was purchased from an unauthorized seller. This Warranty also does not cover cosmetic changes that do not affect performance. Wearing parts like belts, augers, chains and tines are not covered under this Warranty, and can be purchased at snowjoe.com or by calling **1-866-SNOWJOE (1-866-766-9563)**.





PODADORA DE CÉSPED INALÁMBRICA

24-VOLT MÁX.* | 5.0 Ah | 35,6 CM

Una división de Snow Joe®, LLC

Modelo MJ24C-14-XR

Forma N° SJ-MJ24C-14-XR-880S-MR5

¡IMPORTANTE!

Instrucciones de seguridad

Todos los operadores deberán leer estas instrucciones antes del uso

Obedezca siempre estas normas de seguridad. No hacerlo podría resultar en lesiones corporales severas o incluso la muerte.

¡ADVERTENCIAS generales de seguridad!

Usted debe tomar precauciones básicas de seguridad siempre que use esta podadora de césped inalámbrica para reducir riesgos de incendio, choque eléctrico y lesiones personales. Estas precauciones incluyen:

⚠ ¡ADVERTENCIA! No la opere sin todo el recolector de césped, protector contra descargas, protector posterior u otro dispositivo protector de seguridad instalados en su lugar y funcionando apropiadamente.

⚠ ¡ADVERTENCIA! El uso de cualquier otro accesorio o acoplamiento podría aumentar el riesgo de lesiones.

⚠ ¡ADVERTENCIA! Para reducir el riesgo de lesiones, inspeccione frecuentemente el ensamblado colector y reemplácelo con las partes recomendadas si es que presenta señales de desgaste o deterioro.

Antes de usar la podadora, tómese el tiempo para familiarizarse con los controles y, sobre todo, con la forma de detener la podadora en caso de emergencia. Las únicas personas que deben usar la podadora son aquellas que tengan un entendimiento completo de las instrucciones y sepan cómo operar la máquina. Los niños nunca deben tener acceso a la podadora.

Conserve este manual para futuras referencias, y vuélvalo a leer al inicio de cada temporada de podado.

⚠ ¡ADVERTENCIA! El contacto con las partes móviles puede causar enredos, mutilaciones u otras lesiones corporales severas. Mantenga siempre las partes del cuerpo (p. ej., manos y pies) a una distancia segura de las partes móviles de la máquina. Asegúrese de que todos los protectores y cubiertas estén colocados de forma correcta y segura antes del uso.

Las superficies calientes (p. ej., el motor) pueden encender objetos inflamables o combustibles y causar un incendio o explosión que cause lesiones corporales severas. Mantenga la podadora a una distancia segura lejos de objetos inflamables o combustibles hasta que las superficies que estén calientes se hayan enfriado por completo. No almacene la podadora cerca de objetos inflamables o combustibles.

Una cuchilla dañada o tuerca de cuchilla gastada puede desprenderse del ensamblado de la podadora y causar severas lesiones. Reemplace la cuchilla dañada o tuerca de cuchilla gastada antes de usar la podadora.

- 1. Evite entornos peligrosos:** no use la podadora bajo la lluvia, ni cuando el césped esté húmedo o mojado.
- 2. Mantenga alejados a niños, espectadores y mascotas:** mantenga siempre a los niños, espectadores y mascotas a una distancia segura de la podadora mientras está en funcionamiento y mientras se esté enfriando.
- 3. Vístase apropiadamente:** utilice siempre equipos de protección personal (p. ej., gafas, guantes de hule, calzado protector y máscara antipolvo) y una vestimenta adecuada al usar la podadora. Las vestimentas holgadas, el pelo largo o la joyería pueden engancharse en las partes móviles.
- 4. Use el artefacto correcto:** no use la podadora de césped para cualquier aplicación distinta a una de aquellas para las cuales fue diseñada.
- 5. No fuerce la podadora de césped:** tendrá un mejor funcionamiento con menos probabilidades de lesiones personales o fallas mecánicas si es usada a la velocidad para la cual fue diseñada.
- 6. No se extralimite:** mantenga con sus pies un balance y posición adecuados todo el tiempo.
- 7. Manténgase alerta:** esté siempre alerta y vea lo que está haciendo. Utilice su sentido común. No opere la podadora de césped si usted está cansado o bajo la influencia del alcohol u otras drogas.
- 8. Desconecte la podadora de césped:** APAGUE Y RETIRE LA LLAVE DE SEGURIDAD cuando la podadora no esté siendo usada, antes de ser reparada, al cambiarle accesorios o al realizarle cualquier otro trabajo de mantenimiento.
- 9. Guarde la podadora de césped inactiva bajo techo:** cuando no esté siendo usada, la podadora de césped debe guardarse bajo techo y en un lugar seco, bajo llave y fuera del alcance de los niños.

10. **Cuide su podadora de césped:** mantenga las cuchillas afiladas y limpias para un mejor y más seguro funcionamiento.
11. **Use equipos de protección personal. Emplee siempre protección ocular:** al ser usados en situaciones apropiadas, los equipos protectores tales como gafas de seguridad, máscara antipolvo, zapatos antideslizantes, casco o protección auditiva, reducirán las probabilidades de lesiones personales.
12. **Evite encendidos accidentales:** asegúrese de que el interruptor esté en la posición de APAGADO antes de insertar la llave de seguridad o antes de levantar o transportar la podadora de césped inalámbrica. Llevar herramientas eléctricas con su dedo sobre el interruptor o cargarlas con el interruptor en la posición de ENCENDIDO puede provocar accidentes.
13. **Retire cualquier llave de ajuste o inglesa antes de encender la herramienta:** una llave inglesa o de otro tipo conectada a una parte giratoria de la podadora de césped inalámbrica podría causar lesiones personales.
14. **Mantenga las cuchillas limpias y afiladas:** las cuchillas de corte mantenidas adecuadamente, con bordes afilados, tienen menos probabilidades de atascarse y son más fáciles de controlar.
15. **Mantenga todas las partes del cuerpo alejadas de la cuchilla de corte:** no retire material cortado ni sujete el material a ser cortado cuando las cuchillas estén moviéndose. Asegúrese de que el interruptor esté apagado al retirar material atascado. Un momento de distracción durante el uso de este producto podría ocasionar lesiones personales severas.
16. Si la podadora de césped golpea un objeto extraño, siga estas instrucciones:
 - i) Detenga la podadora soltando la palanca interruptora de arranque/parada;
 - ii) Retire la llave de seguridad;
 - iii) Inspeccione la unidad en busca de daños; y
 - iv) Repare cualquier daño antes de volver a encender la podadora de césped.
17. Solo use cuchillas de repuesto idénticas y otras partes genuinas.
18. Mantenga los protectores en su lugar y funcionando apropiadamente.

Seguridad eléctrica

1. Si el cable del cargador de batería está dañado, comuníquese con la central de servicio al cliente Snow Joe® + Sun Joe® llamando al 1-866-SNOWJOE (1-866-766-9563).
2. Si cargar la podadora de césped inalámbrica en una ubicación mojada es inevitable, utilice una fuente de alimentación protegida por un dispositivo de corriente residual (residual current device o RCD por sus siglas en inglés). El uso de un RCD reduce el riesgo de un choque eléctrico.
3. Evite que su cuerpo haga contacto con superficies puestas a tierra tales como tuberías, radiadores, cocinas eléctricas y refrigeradoras. Hay un mayor riesgo de un choque eléctrico si su cuerpo está puesto a tierra.
4. **No exponga artefactos a batería bajo la lluvia o bajo condiciones mojadas.** El agua que entre a una podadora de césped inalámbrica incrementará el riesgo de choque eléctrico.
5. **No maltrate el cable para carga.** Nunca use el cable para transportar, jalar o desenchufar el cargador. Mantenga el cable alejado del calor, aceite, bordes afilados o partes en movimiento. Los cables dañados o enredados aumentan el riesgo de choques eléctricos.
6. El cargador de batería solo es para uso en interiores. No cargue la batería de la podadora inalámbrica bajo la lluvia o en lugares mojados.

Instrucciones de seguridad para la batería y el cargador

Prestamos mucha atención al diseño de cada batería para garantizar la producción de baterías seguras y durables, con una alta densidad de energía. Las celdas de la batería tienen una amplia gama de dispositivos de seguridad. Cada celda individual es inicialmente formateada y se registran sus curvas eléctricas características. Estos datos son luego usados exclusivamente para poder ensamblar las mejores baterías posibles.

Independientemente de todas las precauciones de seguridad, se debe tener mucho cuidado al manipular las baterías. Las siguientes instrucciones deben ser obedecidas en todo momento para garantizar un uso seguro. Un uso seguro solo puede ser garantizado si se usan celdas libres de daños. Una manipulación incorrecta de la batería puede causar daños en las celdas.

¡IMPORTANTE! Los análisis han confirmado que el uso incorrecto y el cuidado deficiente de baterías de alto rendimiento son las causas principales de lesiones personales y/o daños al producto.

⚠ ¡ADVERTENCIA! Use solo baterías de repuesto aprobadas. Otras baterías pueden dañar la podadora de césped y provocar un desperfecto que pueda causar lesiones personales severas.

⚠ ¡ADVERTENCIA! No use una batería o artefacto que hayan sido dañados o modificados. Las baterías dañadas o modificadas pueden reaccionar impredeciblemente, causando un incendio, explosión, o riesgo de lesiones.

No modifique ni intente reparar el artefacto o la batería, a menos que lo haga según lo indicado en las instrucciones de uso y cuidado.

Su batería deberá ser reparada por una persona calificada usando únicamente partes de repuesto originales. Esto mantendrá la seguridad de la batería.

⚠ ¡PRECAUCIÓN! Para reducir el riesgo de lesiones, cargue la batería de iones de litio 24 V de iON+ solo con su cargador de baterías de iones de litio designado, el iON+ de 24 V. Otros tipos de cargadores presentan riesgos de incendio, lesiones personales y daños. No conecte una batería a un tomacorriente doméstico ni encendedor de cigarrillos en su vehículo. Dicho uso indebido dañará o deshabilitará permanentemente la batería.

- **Evite entornos peligrosos:** no cargue la batería bajo la lluvia o nieve, ni en entornos húmedos o mojados. No use la batería ni el cargador en atmósferas explosivas (gases, polvo o materiales inflamables), ya que se pueden generar chispas al insertar o retirar la batería, provocando un incendio.
 - **Cárguela en un área bien ventilada:** no bloquee los conductos de ventilación del cargador. Manténgalos despejados para permitir una ventilación adecuada. No permita que se fume o haya llamas abiertas cerca de una batería siendo cargada. Los gases presentes pueden explotar.
- NOTA:** el rango seguro de temperaturas para la batería es de 41°F (5°C) a 105°F (40.5°C). No cargue la batería en exteriores con temperaturas congelantes. Cárguela a temperatura ambiente en interiores.
- **Cuide el cable del cargador:** al desenchufar el cargador tire del enchufe, no del cable, para desconectarlo del tomacorriente y así evitar el riesgo de daños al enchufe y cable de alimentación. Nunca transporte el cargador colgado de su cable, ni tire del cable para desconectarlo del receptáculo. Mantenga el cable alejado del calor, aceites y bordes afilados. Asegúrese de que el cable no sea pisado, que la gente no se tropiece con éste, ni que esté sujeto a daños o tensiones mientras el cargador esté siendo usado. No use el cargador con un cable o enchufe dañado. Reemplace un cargador dañado inmediatamente.

- **No use un cable de extensión a menos que sea absolutamente necesario:** usar un cable de extensión incorrecto, dañado o conectado de forma inapropiada puede causar un incendio o choque eléctrico. Si se debe usar un cable de extensión, enchufe el cargador a un cable de extensión de calibre 16 o mayor con el enchufe hembra encajando perfectamente en el enchufe macho del cargador. Verifique que el cable de extensión esté en buenas condiciones.
- **Use solo accesorios recomendados:** el uso de un accesorio que no sea recomendado ni vendido por el fabricante de la batería o cargador de batería puede resultar en un choque eléctrico, incendio o lesiones personales.
- **Desenchufe el cargador cuando no esté siendo usado:** asegúrese de retirar las baterías de los cargadores desenchufados.

⚠ ¡ADVERTENCIA! Para reducir el riesgo de un choque eléctrico, desenchufe siempre el cargador antes de llevar a cabo cualquier tarea de limpieza o mantenimiento. No permita que el agua fluya dentro del cargador. Use un interruptor de circuito por falla a tierra (GFCI) para reducir el riesgo de un choque eléctrico.

- **No quemé ni incinere baterías:** las baterías pueden explotar, causando lesiones personales o daños. Las baterías generan sustancias y humos tóxicos al ser quemadas.
- **No triture, deje caer ni dañe las baterías:** no use la batería ni el cargador si han sido severamente golpeados, se han dejado caer, se han aplastado, o han sido dañados de cualquier forma (como por ejemplo perforados con un clavo, golpeados con un martillo, pisados, etc.).
- **No los desarme:** el reensamblado incorrecto puede representar un riesgo severo de choque eléctrico, fuego o exposición a químicos tóxicos de la batería. Si la batería o el cargador están dañados, contacte a un concesionario autorizado Snow Joe® + Sun Joe® o llame a la central de servicio al cliente Snow Joe® + Sun Joe® al 1-866-SNOWJOE (1-866-766-9563) para obtener ayuda.
- **Los químicos de la batería causan quemaduras severas:** nunca deje que una batería dañada haga contacto con la piel, ojos o boca. Si una batería dañada deja escapar sustancias químicas, use guantes de hule o neopreno para deshacerse de ella de forma segura. Si la piel es expuesta a los fluidos de la batería, lave el área afectada con jabón y agua, y enjuague con vinagre. Si los ojos son expuestos a los químicos, enjuáguelos inmediatamente con agua durante 20 minutos y busque atención médica. Quitese y deshágase de las vestimentas contaminadas.
- **No provoque un cortocircuito:** una batería puede hacer cortocircuito si un objeto metálico hace conexión entre los contactos positivo y negativo de la batería. No coloque una batería cerca de objetos que puedan causar un cortocircuito tales como monedas, sujetapapeles, tornillos, clavos, llaves y otros objetos metálicos. Una batería cortocircuitada representa un riesgo de incendio y lesiones personales severas.

- **Guarde su batería y cargador en un lugar fresco y seco:** no guarde la batería o cargador donde las temperaturas puedan exceder los 105°F (40.5°C), como bajo la luz directa del sol o dentro de un vehículo o construcción metálica durante el verano.

Información sobre la batería

1. La batería suministrada con su podadora de césped inalámbrica está cargada solo parcialmente. La batería tiene que ser cargada por completo antes de que usted use la podadora por primera vez.
2. Para un óptimo rendimiento de la batería, evite ciclos de descarga baja cargando frecuentemente la batería.
3. Guarde la batería en un lugar fresco, de preferencia a 77°F (25°C) y cargada al menos a un 40%.
4. Las baterías de iones de litio están sujetas a un proceso natural de desgaste. La batería debe ser reemplazada a más tardar cuando su capacidad caiga a un 80% de su capacidad inicial, cuando estaba nueva. Las celdas debilitadas en una batería gastada no son capaces de cumplir con los requisitos de alta potencia necesarios para la operación adecuada de su podadora de césped inalámbrica, por lo tanto representan un riesgo de seguridad.
5. No arroje las baterías al fuego abierto ya que esto representa un riesgo de explosión.
6. No incendie la batería ni la esponja al fuego.
7. No descargue las baterías exhaustivamente. Una descarga exhaustiva dañará las celdas de la batería. La causa más común de descarga exhaustiva es el almacenamiento prolongado o la falta de uso de baterías parcialmente descargadas. Deje de trabajar tan pronto como el rendimiento de la batería caiga considerablemente o se active el sistema de protección electrónico. Almacene la batería únicamente luego de haberla cargado por completo.
8. Proteja las baterías y la herramienta contra sobrecargas. Las sobrecargas causarán rápidamente un sobrecalentamiento y daños a las celdas dentro del compartimiento de la batería, incluso si este sobrecalentamiento no es aparente por fuera.
9. Evite daños y golpes. Reemplace inmediatamente las baterías que se hayan caído desde una altura de más de 3 pies (1 m) o aquellas que hayan sido expuestas a golpes violentos, incluso si la carcasa de la batería aparenta no tener daños. Las celdas dentro de la batería pueden haber sufrido daños severos. En dichos casos, lea la información de eliminación para deshacerse apropiadamente de la batería.
10. Si la batería sufre una sobrecarga y sobrecalentamiento, el sistema interruptor de protección integrado apagará el equipo por motivos de seguridad.

¡IMPORTANTE! No presione más el interruptor de ENCENDIDO/APAGADO si el interruptor de protección se ha activado. Esto puede dañar la batería.

11. Use únicamente baterías originales. El uso de otras baterías representa un riesgo de incendio y puede resultar en lesiones personales o una explosión.

Información sobre el cargador y el proceso de carga

1. Verifique los datos registrados en la placa de especificaciones del cargador de batería. Asegúrese de conectar el cargador de batería a una fuente de alimentación que tenga el voltaje indicado en la placa de especificaciones. Nunca lo conecte a una fuente de alimentación con voltaje distinto al indicado.
2. Proteja el cargador de batería y su cable. Mantenga el cargador y su cable alejados del calor, grasas, aceites y bordes afilados. Haga reparar sin demora los cables dañados por un técnico calificado en un concesionario autorizado Snow Joe® + Sun Joe®, o comuníquese con el centro de servicio al cliente Snow Joe® + Sun Joe® llamando al 1-866-SNOWJOE (1-866-766-9563).
3. Los enchufes eléctricos deben caber en los tomacorrientes. Nunca modifique el enchufe de ninguna manera. No use ningún enchufe adaptador con artefactos que tengan conexión a tierra. El uso de enchufes no modificados y tomacorrientes equivalentes reducirá el riesgo de un choque eléctrico.
4. Mantenga el cargador de batería, la(s) batería(s) y la herramienta inalámbrica fuera del alcance de los niños.
5. No use el cargador de batería suministrado para cargar baterías de otras herramientas inalámbricas.
6. Durante periodos de trabajo pesado, la batería se calentará. Permita que la batería se enfríe a temperatura ambiente antes de insertarla en el cargador para su recarga.
7. No sobrecargue las baterías. No exceda los tiempos máximos de carga. Estos tiempos de carga solo se aplican a baterías descargadas. La inserción frecuente de una batería cargada o parcialmente cargada resultará en una sobrecarga y daños a las celdas. No deje las baterías en el cargador por días enteros.
8. Nunca use o cargue las baterías si sospecha que han pasado más de doce (12) meses desde la última vez que fueron cargadas. Existe una alta probabilidad de que la batería ya haya sufrido un daño severo (descarga exhaustiva).
9. Cargar baterías a una temperatura menor de 41°F (5°C) causará daños químicos a las celdas y puede provocar un incendio.
10. No use baterías que hayan sido expuestas al calor durante el proceso de carga, ya que las celdas de la batería pueden haber sufrido daños severos.
11. No use baterías que se hayan curvado o deformado durante el proceso de carga, ni aquellas que muestren otros síntomas atípicos como liberación de gases, zumbidos, resquebrajaduras, etc.

12. Nunca descargue por completo la batería (se recomienda una profundidad de descarga de un 80%). Una descarga completa de la batería causará un envejecimiento prematuro de las celdas de la batería.

Protección contra influencias del entorno

1. Use ropa de trabajo adecuada. Use gafas protectoras.
2. Proteja su herramienta inalámbrica y el cargador de batería contra la humedad y la lluvia. La humedad y la lluvia pueden causar peligrosos daños a las celdas.
3. No use la herramienta inalámbrica ni el cargador de batería cerca de vapores o líquidos inflamables.
4. Use el cargador de batería y la herramienta inalámbrica solo en entornos secos y a una temperatura ambiente de entre 41°F (5°C) y 105°F (40.5°C)
5. No coloque la batería en lugares donde la temperatura pueda alcanzar más de 104°F (40°C). Especialmente, no deje el cargador de batería en un auto que esté estacionado bajo la luz directa del sol.
6. Proteja las baterías contra el sobrecalentamiento. Las sobrecargas, exceso de carga y exposición a la luz directa del sol darán como resultado un sobrecalentamiento y daños a las celdas. Nunca cargue ni trabaje con baterías que hayan estado sobrecalentadas. De ser posible, reemplácelas inmediatamente.
7. Guarde el cargador de batería y su herramienta inalámbrica solo en entornos secos y a una temperatura ambiente de entre 40°F (4.5°C) y 105°F (40.5°C). Guarde su batería de iones de litio en un lugar fresco y seco, a una temperatura ambiente de entre 50°F (10°C) y 68°F (20°C). Proteja la batería, el cargador y la herramienta inalámbrica contra la humedad y la luz directa del sol. Solo almacene baterías cargadas por completo (por lo menos hasta en un 40%).
8. Evite que la batería de iones de litio se congele. Las baterías almacenadas a temperaturas menores de 32°F (0°C) por más de una hora deben ser desechadas.
9. Al manipular baterías, tenga cuidado con las descargas electrostáticas. Las descargas electrostáticas pueden dañar el sistema electrónico de protección y las celdas de la batería. Evite las descargas electrostáticas y nunca toque los polos de la batería.

¡IMPORTANTE!

Instrucciones de seguridad para podadoras de rodadura

Operación general

- Lea, entienda y siga todas las instrucciones en la máquina y en el(los) manual(es) antes de empezar.
- No ponga sus manos o pies cerca o debajo de la máquina. Manténgase siempre alejado de la abertura de descarga.

- Solo personas adultas responsables y familiarizadas con las instrucciones deberán estar autorizadas a operar esta máquina.
- Retire del área a podar objetos extraños como rocas, alambres, juguetes y otros objetos que pueden ser recogidos y arrojados por las cuchillas. Manténgase detrás del mango cuando el motor esté funcionando.
- Asegúrese de que el área a podar esté libre de transeúntes antes de encender la máquina. Detenga la máquina si alguien entra al área.
- No opere la máquina descalzo o usando sandalias. Use siempre calzado protector.
- Antes y durante el movimiento en reversa de la podadora, siempre mire hacia abajo y hacia atrás.
- Nunca arroje material directamente hacia nadie. Evite arrojar material contra paredes u otras obstrucciones.
- No opere la máquina sin todo el receptor de césped, protector contra descargas, protector posterior u otro dispositivo de seguridad en su lugar y funcionando apropiadamente.
- Nunca deje sin atender una máquina encendida.
- Detenga el motor y espere a que las cuchillas se hayan detenido por completo antes de limpiar la máquina, retirar el receptor de césped o desatascar el protector contra descargas.
- Opere la máquina solo bajo luz diurna o luz artificial apropiada.
- No opere la máquina si usted está cansado o bajo la influencia del alcohol o las drogas.
- Nunca opere la podadora de césped sobre césped mojado. Esté siempre atento a dónde esté pisando. Camine, nunca corra, con la podadora.
- Si la máquina empieza a vibrar de manera anormal, detenga el motor e inmediatamente inspeccione la máquina para determinar la causa. Las vibraciones generalmente son señales de problemas.
- Mantenga las cuchillas afiladas.
- Mantenga las manos y los pies lejos del área de corte.
- Utilice siempre protección ocular al operar la máquina.
- Los objetos arrojados por la cuchilla de la podadora de césped pueden causar lesiones personales severas. Siempre se debe examinar cuidadosamente el área a podar y retirar todos los objetos antes de cada poda.

Trabajo en pendientes

Las pendientes son factores importantes relacionados a los accidentes de resbalos y caídas, los cuales pueden resultar en lesiones personales severas. La operación en todas las pendientes requiere mucho cuidado. Si no se siente seguro en una pendiente, no la pode.

- Pode el césped de forma lateral en la pendiente. Nunca pode pendientes siguiendo una ruta transversal de arriba a abajo. Tenga mucho cuidado al cambiar de dirección en una pendiente.
- Esté atento a hoyos, surcos, baches, rocas u otros objetos ocultos. Estos pueden causar un inesperado resbalón o caída.
- No pode sobre césped mojado o pendientes demasiado inclinadas. Una mala postura puede causar un accidente de resbalo y caída.
- No pode cerca de laderas, zanjas o terraplenes. Usted puede perder su postura o equilibrio.

Niños

Pueden ocurrir accidentes trágicos si el operador no está alerta de la presencia de niños. Los niños son generalmente atraídos a la máquina y a la actividad de podado.

Nunca asuma que los niños permanecerán en donde usted los vio por última vez.

- Mantenga a los niños lejos del área de poda y bajo la estricta vigilancia de un adulto responsable que no sea el operador.
- Esté siempre atento y apague la podadora si un niño entra al área.
- Nunca deje que los niños operen la podadora.
- Tenga especial cuidado al acercarse a esquinas ciegas, arbustos, árboles u otros objetos que puedan obstaculizar la visualización de un niño.













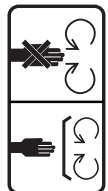


Servicio

- Detenga la máquina y desconecte la llave de seguridad antes de reparar, limpiar o remover recortes de césped de la podadora.
- Mantenga ajustados todos los pernos y tuercas.
- Nunca manipule los dispositivos de seguridad. Inspecciónelos regularmente para asegurarse de que estén en su lugar y funcionando apropiadamente.
- Mantenga la podadora libre de césped, hojas y otras acumulaciones de residuos.
- Si la máquina golpea un objeto extraño, deténgase e inspeccione la máquina. Repárela, de ser necesario, antes de empezar.
- Nunca efectúe ningún ajuste o reparación con el motor encendido. Siempre desconecte la llave de seguridad antes de ajustar, limpiar o reparar la máquina.

- Verifique frecuentemente los componentes de la bolsa recolectora de césped y del protector contra descargas, y reemplácelos con partes recomendadas por el fabricante cuando sea necesario.
- La cuchilla de la podadora de césped está afilada. Al manipularla, envuélvala o use guantes. Tenga especial cuidado al reparar la cuchilla.
- Conserve o reemplace las etiquetas de seguridad y de instrucción, de ser necesario.
- Si su podadora de césped inalámbrica requiere servicio, contacte a un distribuidor Snow Joe® + Sun Joe® autorizado o comuníquese con la central de servicio al cliente Snow Joe® + Sun Joe® llamando al 1-866-SNOWJOE (1-866-766-9563). Para las reparaciones se deben utilizar únicamente partes de repuesto idénticas. Esto mantendrá la seguridad de la podadora de césped inalámbrica.
- Si el cable del cargador de la batería está dañado, deberá ser reemplazado inmediatamente para evitar accidentes. Comuníquese con la central de servicio al cliente Snow Joe® + Sun Joe® llamando al 1-866-SNOWJOE (1-866-766-9563) para recibir asistencia.

Símbolos de seguridad

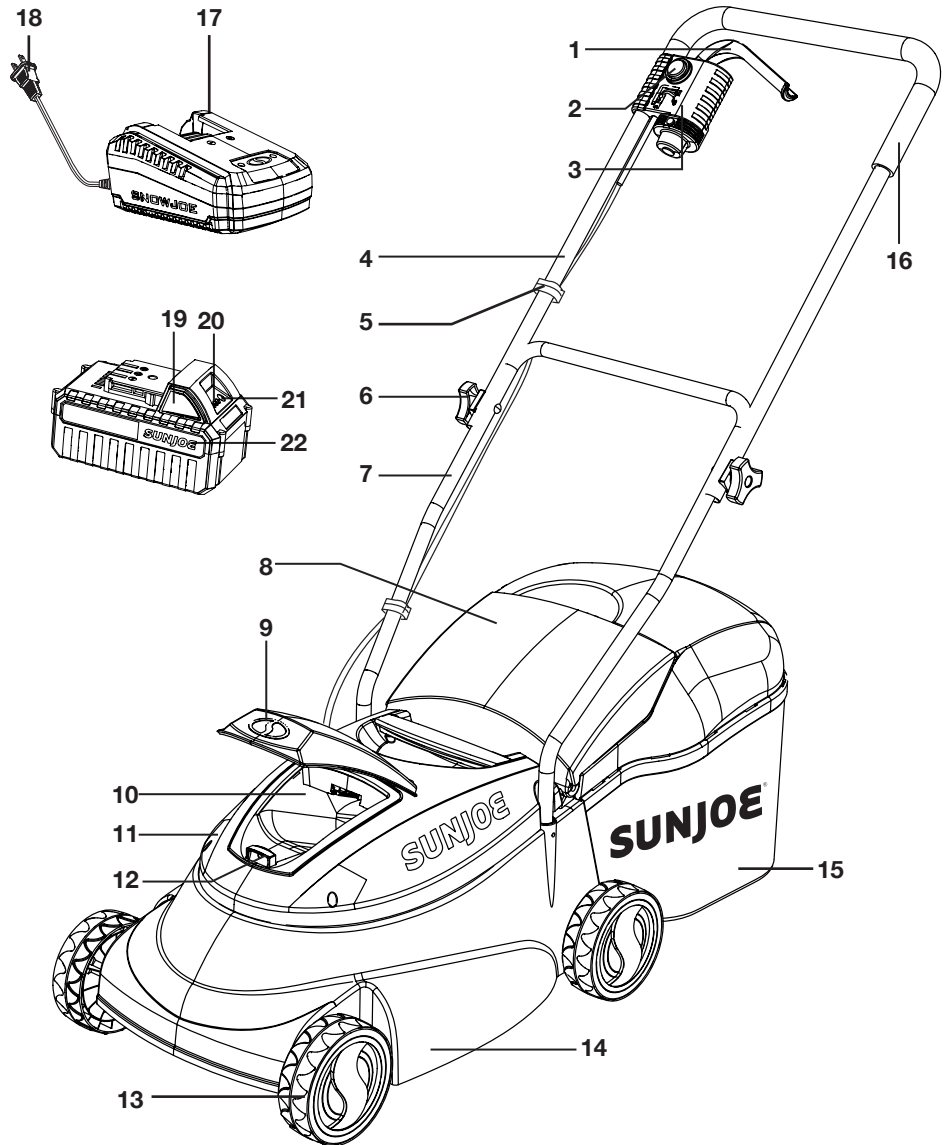
La siguiente tabla muestra y describe los símbolos de seguridad que pueden aparecer en este producto. Lea, comprenda y siga todas las instrucciones de la máquina antes de intentar ensamblarla y operarla.

Símbolo	Descripción	Símbolo	Descripción
	¡PELIGRO! Cuchillas giratorias. Mantenga los pies y manos alejados.		Mantenga a los transeúntes y niños alejados a una distancia segura.
	Alerta de seguridad. Precaución. Para reducir el riesgo de lesiones, el usuario debe leer el manual de instrucciones.		Use protección para sus ojos y oídos. Para evitar lesiones, use protectores para los oídos y gafas de seguridad.
	¡ADVERTENCIA! No exponga ni opere la unidad en la lluvia o entornos mojados. Manténgala seca.		Use guantes protectores y calzado no deslizante al operar esta máquina y al manipular desechos.
	Peligro de resbalo en pendientes: tenga extremo cuidado al podar en pendientes para evitar resbalar y caer.		Amputación de dedos de pies o manos por cuchilla giratoria de podadora de césped.
	Los objetos arrojados y la cuchilla giratoria pueden causar lesiones personales severas.		Mantenga a los espectadores a una distancia segura del área de trabajo.
	Las cuchillas continúan girando luego de que la máquina se haya apagado.		¡ADVERTENCIA! Siempre APAGUE la máquina y retire la llave de seguridad antes de llevar a cabo tareas de inspección, limpieza o mantenimiento.
	Cuchilla giratoria: mantenga las manos y pies alejados de la abertura mientras la máquina esté funcionando.		Mire hacia atrás cuando retroceda con la podadora de césped.
	Solo para uso en interiores. Utilice el cargador de batería solamente en interiores.		

Conozca su podadora de césped inalámbrica

Lea detenidamente el manual del operador y las instrucciones de seguridad antes de operar la podadora de césped inalámbrica. Compare la ilustración debajo con la podadora para familiarizarse con las ubicaciones de los diversos controles y ajustes. Conserve este manual para futuras referencias.

1. Palanca interruptora
2. Botón de trabado de seguridad
3. Caja de interruptor
4. Estructura de mango superior
5. Clips de cable (x2)
6. Perilla, arandela y perno de mango superior (x2)
7. Estructura de mango inferior
8. Compuerta eyectora
9. Tapa de compartimiento de batería
10. Compartimiento de batería
11. Cubierta superior
12. Llave de seguridad
13. Rueda (x4)
14. Plataforma de podado
15. Bolsa recolectora de césped
16. Empuñadura suave
17. Cargador rápido de baterías de iones de litio de 24 V (24VCHRG-QC)
18. Conector de cargador
19. Botón pulsador de trabado
20. Indicador de nivel de batería
21. Botón pulsador para indicador de batería
22. Batería de iones de litio 24 V de iON+ (24VBAT-XR) con exclusiva tecnología EcoSharp®.



Datos técnicos

Motor.....	600 W sin escobillas	Velocidad sin carga	3,000 RPM
Voltaje máxima de batería*	24 V CC	Ancho de corte	14 plg (35.6 cm)
Capacidad de la batería	5.0 Ah	Altura de corte.....	1.18 plg a 2.52 plg (30 mm a 64 mm)
Entrada de cargador	120 V CA, 60 Hz, 75 W	Capacidad de bolsa recolectora	10.6 gal (40 L)
Salida de cargador	26 V CC, 2.2 A	Tamaño de rueda	5.5 plg (14 cm)
Tiempo máximo de carga	2 hr 20 min	Peso neto	23.7 lb (10.8 kg)

*Voltaje inicial sin carga, al ser cargada por completo alcanza un pico de 24 V; un voltaje nominal bajo carga típica es 21.6 V.

Desembalaje

Contenido del paquete

- Podadora de césped inalámbrica
- Bolsa recolectora de césped
- Vara de soporte de bolsa recolectora de césped
- Estructura de mango superior
- Perilla, arandela y perno de mango superior (x2)
- Estructura del mango inferior
- Tornillos de mango inferior (x2)
- Llave
- Clips de cable (x2)
- Batería de iones de litio 24 V de iON+
- Cargador rápido de batería de iones de litio 24 V de iON+
- Manual con tarjeta de registro

1. Retire cuidadosamente la podadora de césped y compruebe que todos los artículos anteriores estén suministrados.
2. Inspeccione cuidadosamente el producto para asegurarse de que no ocurrió ningún daño o ruptura durante el transporte.

NOTA: no se deshaga de la caja de transporte ni de los materiales de embalaje hasta que usted esté listo para usar su podadora de césped inalámbrica. El empaquetado está hecho de materiales reciclables. Deshágase de materiales en conformidad con los reglamentos locales.

¡IMPORTANTE! La podadora y sus materiales de embalaje no son juguetes. No permita que los niños jueguen con bolsas plásticas, láminas o partes pequeñas. ¡Estos objetos pueden ser tragados y representan un riesgo de asfixia!





Operación de la batería

La unidad es alimentada con una batería de iones de litio. La batería está completamente sellada y no requiere de mantenimiento.

Indicador de nivel de carga de la batería

La batería tiene un botón para comprobar su nivel de carga. Simplemente presione el botón para leer el nivel de carga de la batería en los LED indicadores de la batería:

- Tres LED indicadores de nivel están encendidos: el nivel de carga de la batería es elevado.
- Dos LED indicadores de nivel están encendidos: el nivel de carga de la batería está disminuyendo. Deje de trabajar tan pronto como sea posible.
- Un LED indicador de nivel está encendido: la batería está baja. Deje de trabajar INMEDIATAMENTE y cargue la batería. De otro modo, la vida útil de la batería se reducirá en gran medida.

Luz	Significado
	Botón de nivel de carga.
	La batería está cargada a un 30% y requiere ser cargada de inmediato.
	La batería está cargada a un 60% y requiere ser cargada pronto.
	La batería está cargada por completo.

NOTA: si el botón de nivel de carga no parece funcionar, inserte el conector del cargador y cargue según se requiera.

NOTA: inmediatamente luego del uso de la batería, el botón de nivel de carga puede mostrar una carga más baja que la que se mostrará algunos minutos después. Las celdas de la batería “recuperan” parte de su carga luego de permanecer inactivas.

Operación del cargador

⚠ ¡ADVERTENCIA! Cargue la batería de iones de litio 24 V de iON+ solo con su cargador de iones de litio compatible 24 V de iON+. Otros tipos de baterías pueden causar lesiones personales y daños materiales. Para reducir el riesgo de choque eléctrico, no permita que entre agua a la conexión CA/CC del cargador.

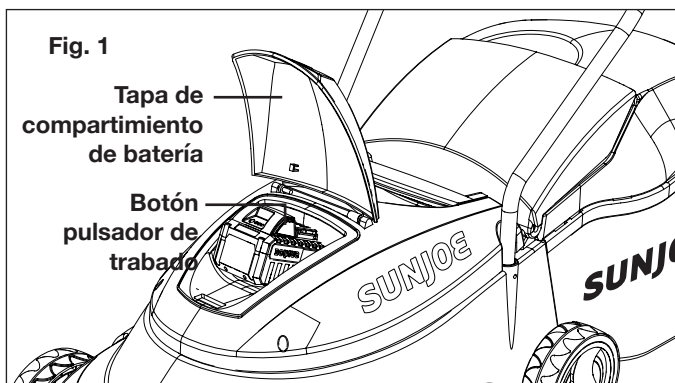
Cuándo cargar la batería de iones de litio iON+ 24VBAT-XR

NOTA: las baterías de iones de litio iON+ 24VBAT-XR no crean una “memoria” al ser cargadas luego de una descarga parcial. Por tanto, no hay necesidad de agotar la batería antes de insertar el conector del cargador.

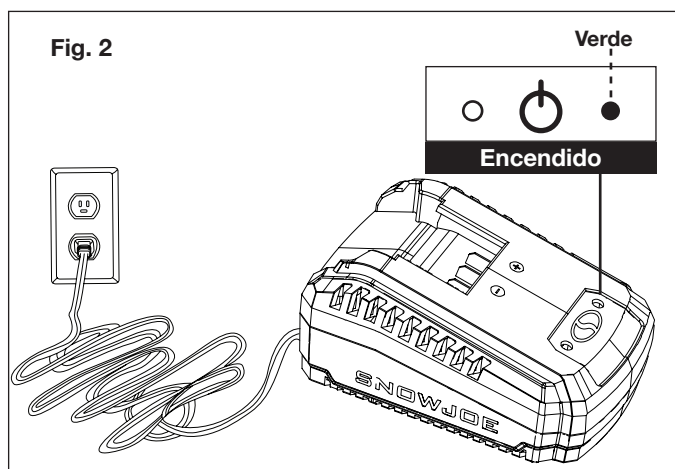
- Use las luces indicadoras de carga de batería para determinar cuándo cargar su batería de iones de litio iON+ 24VBAT-XR.
- Usted puede cargar por completo su batería antes de empezar un trabajo grande, o luego de un uso prolongado.

Carga de la batería

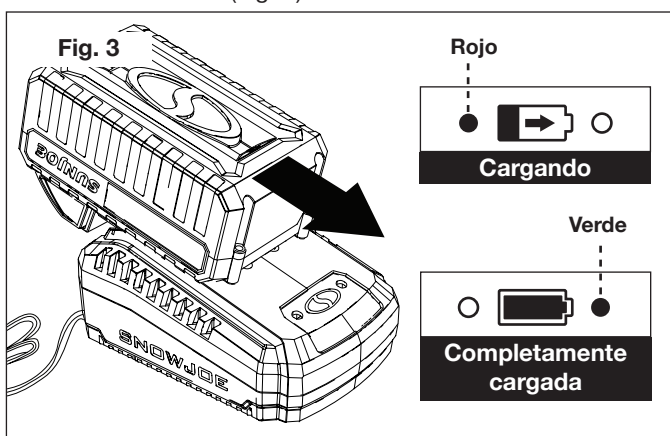
1. Abra la cubierta del compartimiento de la batería, y empuje el botón pulsador de trabado en la batería para sacar la batería de su compartimiento (Fig. 1).



2. Compruebe que el voltaje de la red sea el mismo que el indicado en la placa de especificaciones del cargador rápido de batería. Luego, enchufe el adaptador del cargador en un tomacorriente CA apropiado (Fig. 2).



3. Coloque la batería en el cargador deslizándola tal como se muestra para trazarla en su posición. Cuando inserte la batería en el cargador, la luz roja inferior en el cargador se iluminará indicando que la batería se está cargando (Fig. 3).
4. Las luces LED indicadoras de la batería parpadearán y se iluminarán una a una durante el proceso de carga. Cuando las tres luces LED estén iluminadas en verde, y la luz LED verde del cargador esté encendida, la batería estará cargada por completo. Desenchufe el cargador inmediatamente (Fig. 3).



5. La batería tomará aproximadamente 2 hrs 20 min en cargarse. La luz LED indicadora de carga se tornará verde cuando la batería esté completamente cargada. Desenchufe el cargador inmediatamente cuando se encienda la luz verde.

⚠ ¡PRECAUCIÓN! PELIGRO DE INCENDIO.

Al desconectar el cargador de la batería, asegúrese de desenchufar primero el cargador del tomacorriente, y luego desconecte el cargador de la batería.

⚠ ¡ADVERTENCIA! Este cargador no se apaga de forma automática cuando la batería está completamente cargada. Tenga cuidado de no dejar la batería conectada al cargador. Apague o desenchufe el cargador del tomacorriente cuando el proceso de carga haya sido completado.

6. Una recarga oportuna de la batería ayudará a prolongar la vida útil de la batería. Usted debe recargar la batería cuando note una caída en la potencia del equipo.

¡IMPORTANTE! Nunca permita que la batería se descargue por completo, ya que esto le causará un daño irreversible.

Ensamblado

⚠ ¡ADVERTENCIA! No inserte la llave de seguridad hasta que el ensamblado haya sido completado.

El incumplimiento de esta advertencia puede resultar en un encendido accidental y lesiones personales severas.

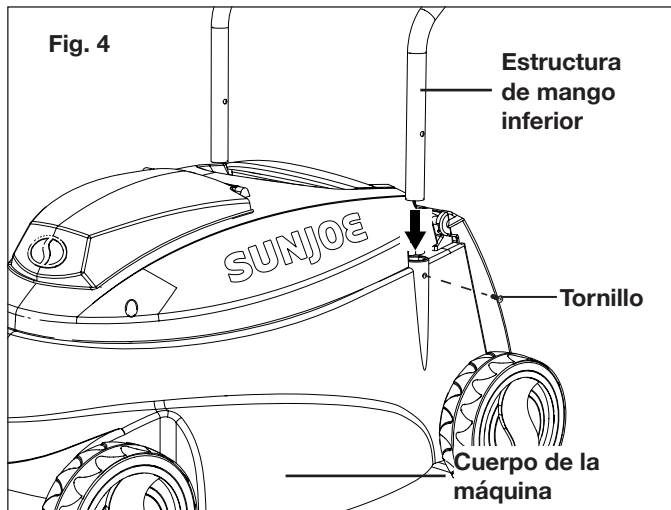
⚠ ¡ADVERTENCIA! Antes de realizar cualquier tarea de mantenimiento, asegúrese de que la llave haya sido retirada de la unidad. No seguir esta advertencia puede resultar en lesiones personales severas.

⚠ ¡ADVERTENCIA! El producto debe estar completamente ensamblado antes de su operación. No use un producto que esté parcialmente ensamblado, o ensamblado con partes dañadas.

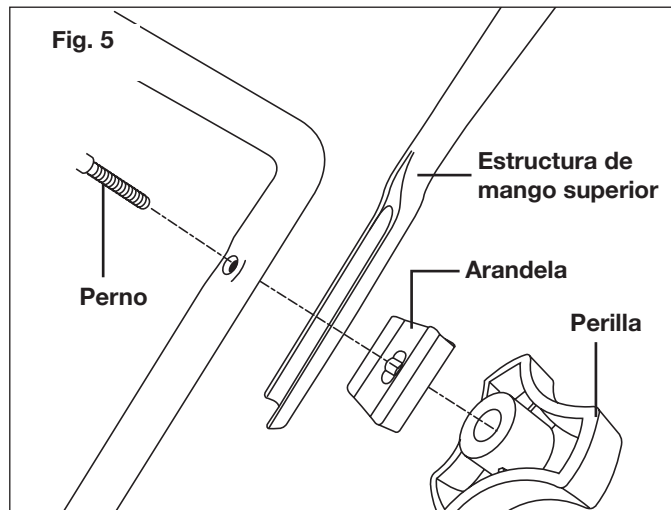
NOTA: antes de usar la podadora siga estas instrucciones para ensamblar el mango y la bolsa recolectora de césped.

Ensamblado de mango

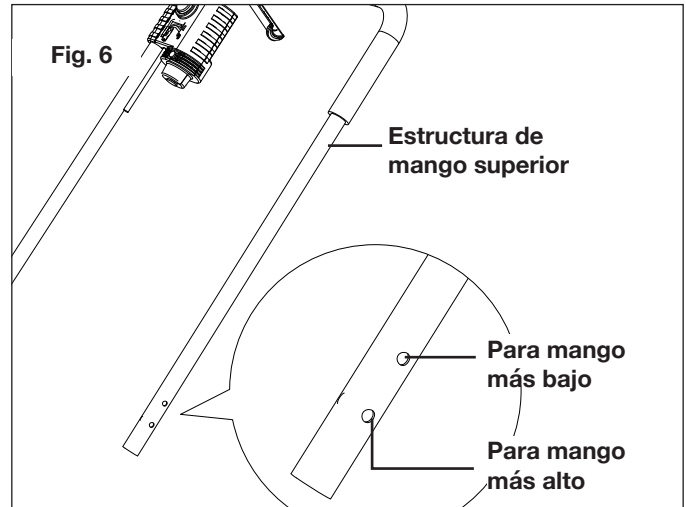
1. Coloque la estructura de mango inferior dentro de los dos orificios en el cuerpo de la máquina y ajuste el mango en ambos lados con los tornillos proporcionados (Fig. 4).



2. Junte la estructura de mango superior a la estructura de mango inferior usando la perilla, arandela y perno suministrados (Fig. 5). Repita en el lado opuesto.



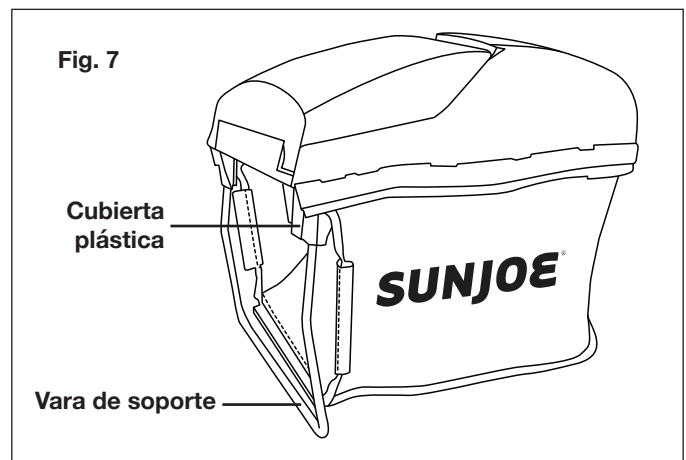
NOTA: la estructura de mango superior viene con dos orificios en cada lado (Fig. 6); sin embargo, solo se necesita un orificio en cada lado para asegurar la estructura de mango inferior. Simplemente seleccione su altura preferida, y asegure tal como se muestra (Fig. 5).



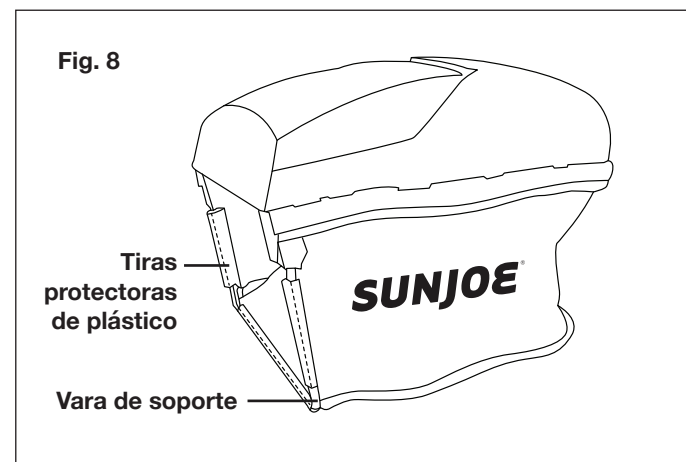
3. Asegure el cable de alimentación al cuerpo de la podadora de césped usando los clips para cable.

Ensamblado y colocación de la bolsa recolectora para césped

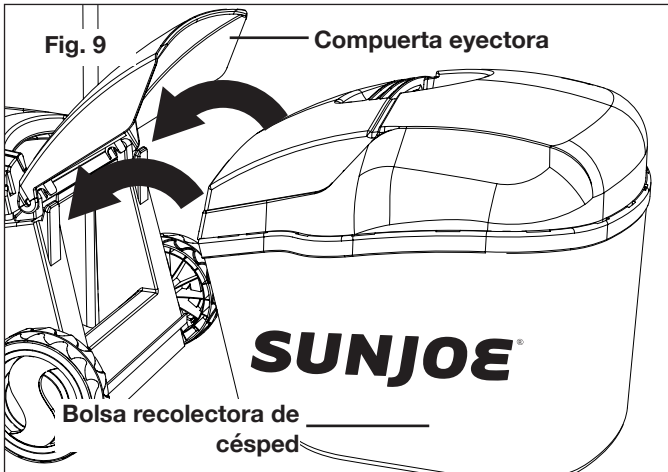
1. Coloque la vara de soporte dentro de los orificios en la cubierta plástica. El codo de la vara de soporte debe encarar la parte trasera de la máquina (Fig. 7).



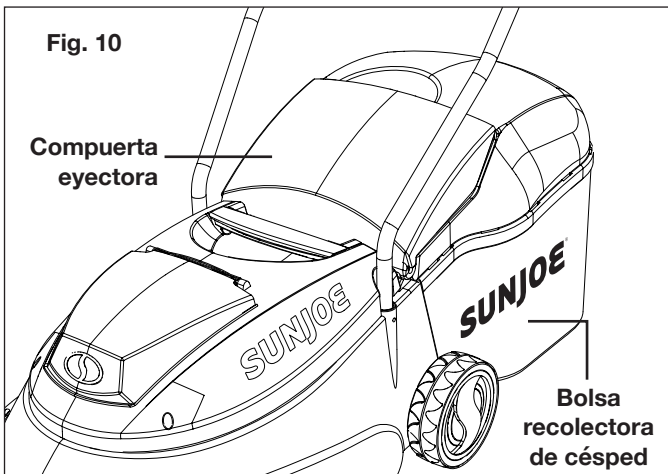
2. Coloque las tiras protectoras de plástico sobre la vara de soporte (Fig. 8).



3. Levante la compuerta de descarga con una mano. Con la otra mano, sostenga la bolsa recolectora de césped por su mango y engánchela desde arriba (Fig. 9).



4. Suelte la compuerta de descarga para asegurar la bolsa recolectora de césped en su sitio (Fig. 10).



Operación

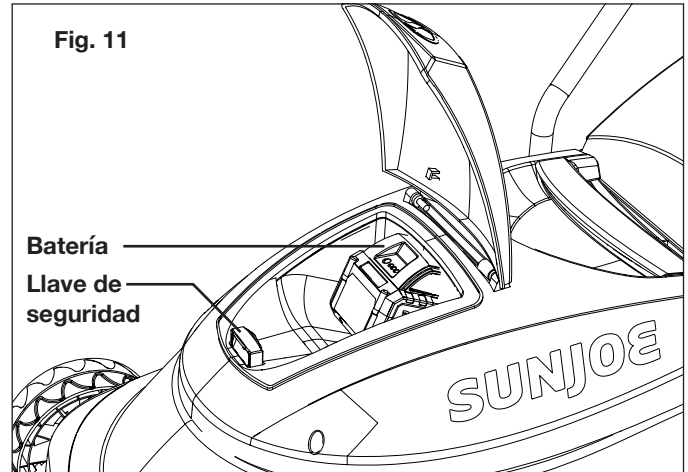
Esta podadora de césped está diseñada para el corte de césped en jardines y patios pequeños. Esta podadora de césped no está destinada para cortar césped de parques públicos, campos de juego, granjas o bosques. No use esta podadora para ninguna aplicación distinta a las aplicaciones para la que ha sido diseñada.

Arranque y parada

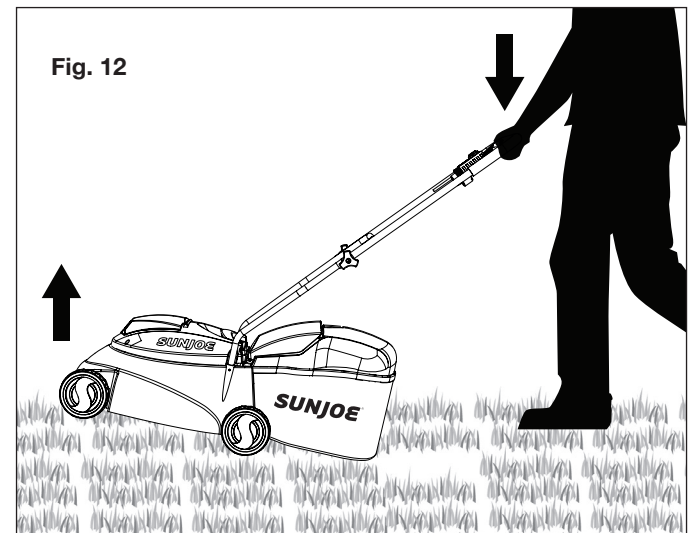
⚠ ¡ADVERTENCIA! Antes de encender la podadora, asegúrese de que no haga contacto con ningún objeto extraño. Mantenga sus manos y pies a una distancia segura de la cuchilla giratoria y de la abertura del eyector. No obedecer estas advertencias podría causar lesiones personales severas.

IMPORTANTE: no encienda la podadora sobre césped alto.

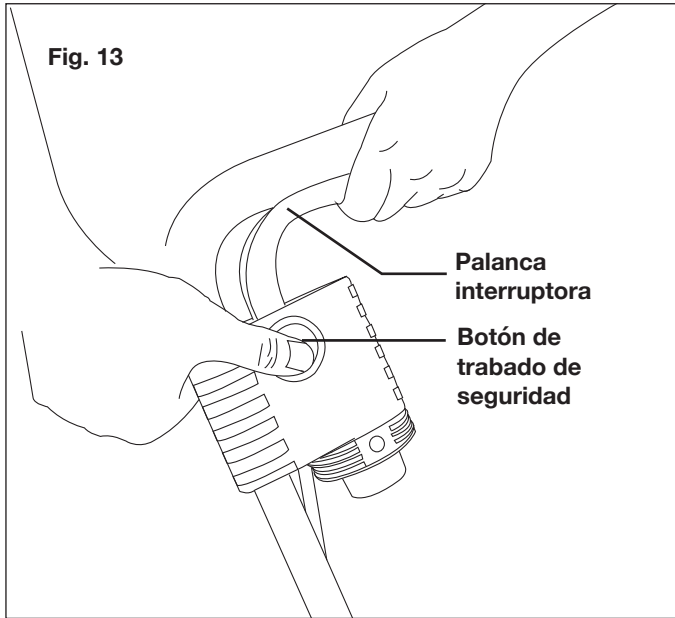
1. Antes de encender la unidad, asegúrese de que la batería y la llave de seguridad estén insertadas correctamente en sus ranuras (Fig. 11).



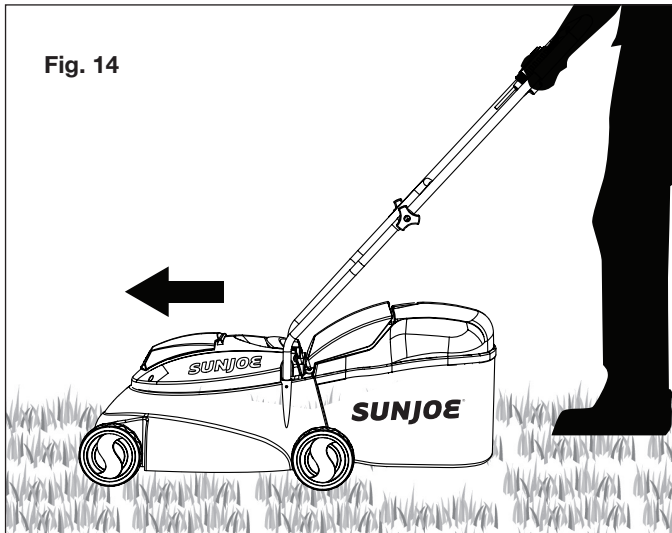
2. Antes de encender la podadora de césped, sujete el ensamblado del mango con ambas manos e incline el mango hacia abajo para levantar levemente el frente de la podadora de césped. Esto reducirá el riesgo de daños al césped durante el encendido (Fig. 12).



3. Para encender la podadora de césped inalámbrica, presione y sujete el botón de trabado de seguridad mientras jala la palanca interruptora hacia usted (Fig. 13).



4. Una vez que la máquina se encienda, suelte el botón de trabado de seguridad y proceda con la operación, bajando cuidadosamente la podadora a la posición de corte (Fig. 14).



5. Para detener la podadora, suelte la palanca interruptora.

⚠ ¡ADVERTENCIA! La cuchilla podadora continuará girando por un breve periodo luego de que la unidad haya sido apagada. No incline ni transporte la unidad mientras el motor esté aún funcionando, ni toque la cuchilla cuando aún esté girando. No obedecer esta advertencia puede resultar en lesiones personales severas.

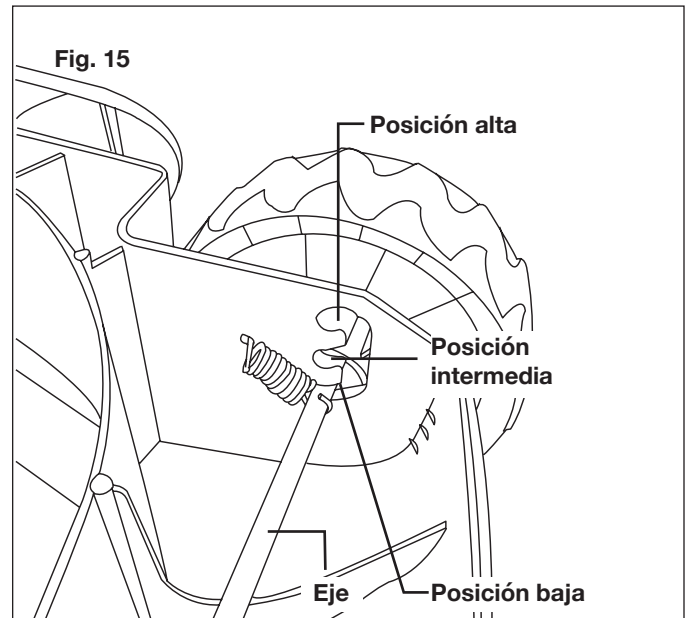
Ajuste de la altura de corte

Siga estas instrucciones para ajustar la altura de corte de la podadora de césped.

⚠ ¡ADVERTENCIA! Antes de realizar estos ajustes, desconecte la fuente de alimentación hacia la podadora retirando la llave de seguridad de la ranura, y espere hasta que las cuchillas giratorias se hayan detenido por completo. Se recomienda usar guantes debido a la proximidad de la cuchilla de corte.

OBEDEZCA SIEMPRE TODAS LAS PRECAUCIONES Y RECOMENDACIONES DE SEGURIDAD MENCIONADAS PREVIAMENTE EN ESTE MANUAL.

1. Apague la máquina y retire la llave de seguridad de la ranura.
2. Retire y vacíe la bolsa recolectora de césped.
3. Recueste la podadora de césped en un lado.



4. Los ejes de las ruedas pueden ser colocados en 3 diferentes alturas de corte: baja (cortará el césped lo más corto), media y alta (Fig. 15).

Ajuste de altura de tres posiciones:

1. Baja: 1.18 plg (30 mm)
2. Media: 1.93 plg (49 mm)
3. Alta: 2.52 plg (64 mm)

La tolerancia de altura de corte es ± 0.2 plg (± 0.5 mm).

5. Mueva las cuatro ruedas a la altura de corte deseada jalando hacia atrás cada eje y colocándolos en la posición deseada. Asegúrese de que las cuatro ruedas estén en la misma posición de altura de corte.

NOTA: ajuste la podadora a la mayor altura de corte al podar en terreno disparejo o con maleza.

6. Vuelva a colocar la podadora sobre sus ruedas, y vuelva a instalar la bolsa recolectora de césped.

7. Inserte la llave de seguridad en su ranura y vuelva a usar la máquina con normalidad.

Consejos para la poda

⚠ ¡ADVERTENCIA! Inspeccione el área antes del podado y retire todas las piedras, palos, alambres y otros objetos extraños que puedan ser recogidos y lanzados por la cuchilla giratoria. No hacerlo no solo dañará la cuchilla de la podadora sino también puede causar severas lesiones personales.

- Asegúrese de inspeccionar periódicamente la cuchilla podadora para ver si hay señales de desgaste, y afílela al menos una vez por año, tal como se describe en la sección de mantenimiento.
- NOTA:** una cuchilla afilada mejorará de manera significativa el rendimiento de la podadora, especialmente al cortar hojas altas de césped.
- Al cortar césped grueso, reduzca su velocidad de caminata para permitir un corte más efectivo y una descarga apropiada del césped cortado. Para un césped saludable, corte siempre un tercio o menos de la longitud total del césped. El césped en promedio deberá tener de 1.5 plg (3.8 cm) a 2 plg (5 cm) de largo durante los meses fríos, y más de 2 plg (5 cm) de largo durante los meses calurosos. Si hay crecimiento, el césped deberá ser cortado en el otoño.
 - El césped se verá mejor si es siempre cortado a la misma altura y en direcciones alternas.
 - Al cruzar cualquier superficie con grava, suelte la palanca interruptora para apagar la podadora. Las piedras pueden ser recogidas y lanzadas por la cuchilla giratoria.
 - Al podar en terreno disperejo o con maleza, ajuste la podadora a su mayor altura de corte.

⚠ ¡ADVERTENCIA! Si la máquina golpea un objeto extraño, detenga el motor y desenchufe el cable de alimentación. Inspeccione minuciosamente la podadora y, de encontrar daños, repárela antes de volver a trabajar.

- **¡IMPORTANTE!** Nunca abra la compuerta eyectora cuando la bolsa haya sido retirada para ser vaciada y el motor aún esté funcionando. ¡Una cuchilla giratoria puede causar severas lesiones!
- Siempre ajuste cuidadosamente la compuerta eyectora y la bolsa recolectora de césped. Apague el motor antes de vaciar la bolsa recolectora de césped. Asegúrese de que siempre se mantenga una distancia segura (proporcionada por la longitud de los mangos largos) entre el usuario y la carcasa de la podadora. Tenga especial cuidado al podar y cambiar de dirección en pendientes.
- Mantenga con sus pies una posición firme y use calzado resistente y antideslizante, y pantalones largos. Siempre pade a lo largo de una pendiente (no hacia arriba y abajo).
- Por motivos de seguridad, la podadora no puede ser usada para podar pendientes cuyas gradientes excedan 15°.

- Tenga especial cuidado al retroceder y jalar la podadora hacia usted, ya que dicha maniobra con la máquina puede hacerle tropezar.

Cuidado y mantenimiento

⚠ ¡ADVERTENCIA! Antes de la limpieza, reparación o inspección de la podadora, desconéctela de la fuente de alimentación retirando la llave de seguridad, y compruebe que todas las partes móviles se hayan detenido por completo.

General

- Mantenga siempre la podadora limpia y libre de césped, tierra y otros residuos.
- Mantenga los mangos secos, limpios y sin aceites o grasas.
- Luego de cada sesión de podado, retire los recortes de césped y residuos acumulados usando un paño seco o cepillo de mano. Usted puede también limpiar el equipo con un paño mojado y algo de detergente suave y no abrasivo. No use agentes de limpieza o solventes agresivos ya que pueden dañar los componentes plásticos en la podadora de césped. Asegúrese de que no entre agua al interior de la podadora de césped, ya que el agua puede destruir el mecanismo interruptor y de conexión, así como el motor eléctrico.
- No limpie la podadora de césped con agua corriente, particularmente con agua a alta presión.
- Compruebe que todas las tuercas, pernos y tornillos estén ajustados apropiadamente antes de cada uso.
- Inspeccione frecuentemente el ensamblado de la bolsa recolectora de césped para ver si hay señales de desgaste. Reemplace inmediatamente una parte dañada con una genuina si se encuentran daños.
- Reemplace inmediatamente las partes gastadas en exceso o dañadas.
- Para maximizar el ciclo de vida útil de su podadora, todas las partes atornilladas, incluyendo ruedas y ejes, deben ser limpiadas y lubricadas. No hay partes dentro del equipo que requieran mantenimiento o lubricación adicional.

Mantenimiento de la cuchilla

¡IMPORTANTE! la cuchilla podadora es afilada y puede causar severas lesiones personales si es manipulada incorrectamente. Envuelva la cuchilla o use guantes, y tenga especial cuidado al manipularla.

La cuchilla de acero está diseñada para proporcionar un corte fino en césped alto o difícil. El deterioro en la calidad de corte indica desgaste o daño de la cuchilla. Siga estos pasos para determinar si la cuchilla necesita ser reafilada o reemplazada:

1. Desconecte la podadora de la fuente de alimentación mediante el retiro de la llave de seguridad.

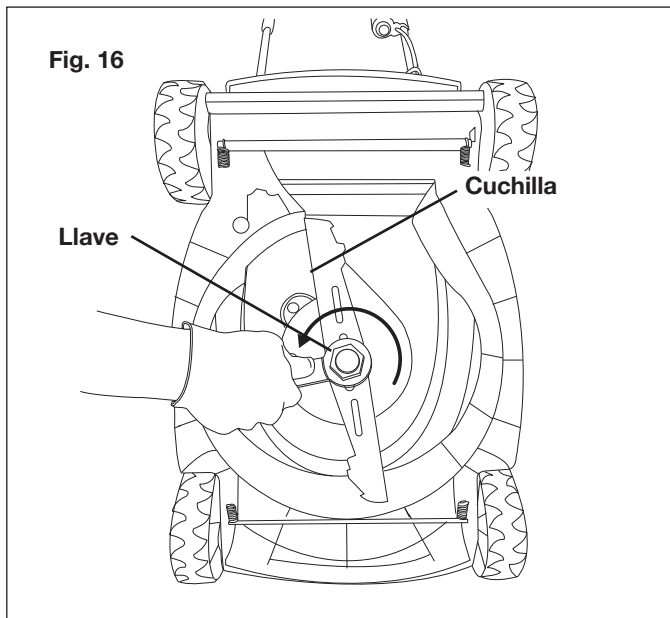
2. Voltee la podadora sobre uno de sus lados para exponer la parte inferior del alojamiento de la cuchilla.
3. Inspeccione la cuchilla.
 - a. Si la cuchilla está desafilada o tiene algo de desgaste, reafilela.
 - b. Si la cuchilla muestra señales de desgaste severo o daños (es decir, está abollada o doblada), reemplácela.

⚠ ¡ADVERTENCIA! Una podadora que vibre en exceso indica que la cuchilla no está balanceada adecuadamente o se ha deformado debido a que golpeó un objeto. En este caso, la cuchilla debe ser reparada o reemplazada. Siga los procedimientos adecuados de mantenimiento para el cuidado de la cuchilla.

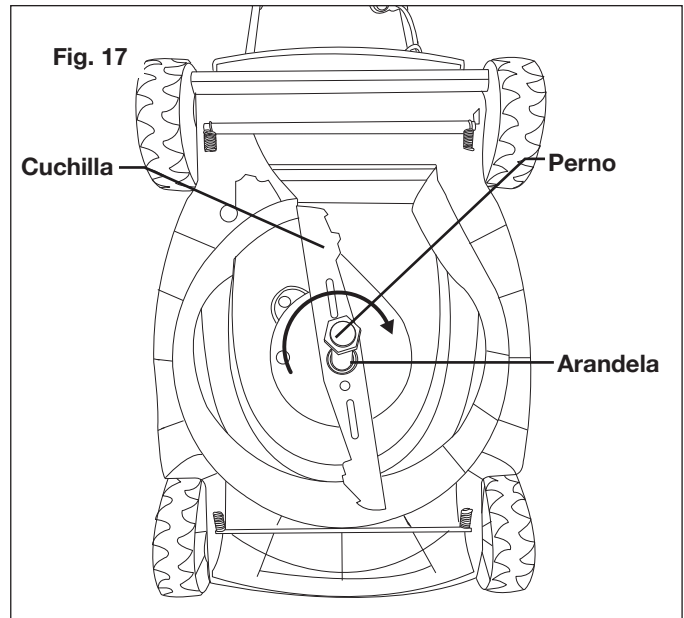
Reemplazo de cuchilla

IMPORTANTE: use solo partes de repuesto originales especificadas para esta podadora. El uso de partes que no cumplan con las especificaciones del equipo original puede provocar un funcionamiento incorrecto de la podadora de césped y comprometer la seguridad del operador.

1. Retire la llave de seguridad de la podadora de césped.
2. Voltee la podadora sobre uno de sus lados para exponer la parte inferior del alojamiento de la cuchilla.
3. Use un paño para sujetar la cuchilla, o use guantes de alta resistencia.
4. Usando la llave incluida, retire el perno y la arandela que aseguran la cuchilla girando el perno en sentido antihorario, y luego retire cuidadosamente la cuchilla (Fig. 16).



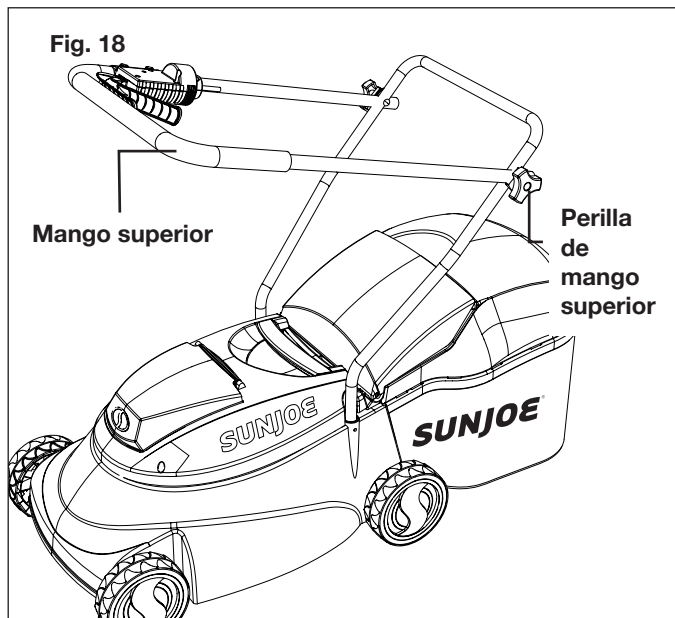
5. Coloque la nueva cuchilla, la arandela y el perno de vuelta, siguiendo los mismos pasos pero en orden inverso (Fig. 17).



Almacenamiento

Siga los pasos a continuación con el fin de preparar la podadora de césped para su almacenamiento:

1. Retire la llave de seguridad de la ranura.
2. Limpie la podadora con un paño mojado o cepillo de mano.
3. Inspeccione la podadora de césped cuidadosamente para detectar partes gastadas, sueltas o dañadas. Verifique las conexiones y tornillos, y ajústelos de ser necesario. Preste especial atención a la cuchilla podadora y reemplácela o reafilela si presenta señales de desgaste. Consulte la sección de mantenimiento y cuidado.
4. Guarde la podadora en interiores en un área seca, limpia y fría fuera del alcance de los niños. No guarde la unidad cerca de materiales corrosivos tales como fertilizantes y sal de roca.
5. No cubra la podadora de césped con una cubierta sólida de plástico. Las cubiertas de plástico atrapan humedad alrededor de la podadora, la cual puede corroerse.
6. El mango de su podadora puede ser plegado para un almacenamiento compacto. Empiece aflojando las perillas del mango en cada lado del mango superior, y plieguelo (Fig. 18).



⚠ ¡ADVERTENCIA! Para reducir el riesgo de lesiones personales o explosión, nunca quemé ni incinere una batería incluso si está dañada, inservible o completamente descargada. Al ser quemada, los humos y materiales tóxicos son emitidos a la atmósfera circundante.

1. Las baterías varían de acuerdo al dispositivo. Consulte su manual para obtener la información específica.
2. Instale solo nuevas baterías del mismo tipo en su producto (donde corresponda).
3. No insertar las baterías con la polaridad correcta, tal como se indica en el compartimiento de la batería o en el manual, puede reducir el ciclo de vida útil de las baterías o causar fugas en las baterías.
4. No combine baterías nuevas con antiguas.
5. No combine baterías alcalinas, estándar (de zinc-carbono) o recargables (de níquel-cadmio, de níquel-hidruro metálico o de iones de litio).
6. No arroje las baterías al fuego.
7. Las baterías deben ser recicladas o desechadas según los reglamentos locales y estatales.

Eliminación

Reciclaje y eliminación

El producto viene en un empaquetado que lo protege contra daños durante el transporte. Conserve el empaquetado hasta que usted esté seguro de que todas las partes hayan venido en este y que el producto esté funcionando adecuadamente. Luego, recicle el empaquetado o consérvelo para un almacenamiento a largo plazo.



Símbolo WEEE. Los productos eléctricos no deben ser desechados en la basura doméstica. Recíclelos donde hayan instalaciones adecuadas. Consulte con las autoridades locales o tienda local para saber sobre las normas de reciclaje.

Precaución y eliminación de la batería

Deshágase de su batería de acuerdo con los reglamentos federales, estatales y locales. Para encontrar lugares de reciclaje, comuníquese con un servicio de reciclaje en su localidad.

⚠ ¡PRECAUCIÓN! Incluso las baterías descargadas contienen algo de energía. Antes de deshacerse de éstas, use cinta aislante para cubrir los terminales y evitar que la batería haga cortocircuito, lo cual puede causar una explosión o incendio.

Servicio y soporte

Si su podadora de césped inalámbrica MJ24C-14-XR de Sun Joe® requiere servicio o mantenimiento, llame al 1-866-SNOWJOE (1-866-766-9563) para obtener ayuda.


Modelo y número de serie

Al contactar a la empresa o al ordenar partes de repuesto, usted necesitará proveer el modelo y el número de serie de su producto. Estos se encuentran en la etiqueta pegada a la carcasa o mango de su podadora. Copie estos números en el espacio proporcionado a continuación.

Registre los siguientes números que se encuentran en la carcasa o mango de su nuevo producto:	
Modelo:	<input style="width: 90%; border: none; border-bottom: 1px solid black;" type="text"/>
M J 2 4 C - 1 4 - X R	<input style="width: 90%; border: none; border-bottom: 1px solid black;" type="text"/>
Nº de serie:	
<input style="width: 90%; border: none; border-bottom: 1px solid black;" type="text"/>	

24VCHRG-QC

Federal Communications Commission (Comisión Federal de Comunicaciones o FCC):

 **¡ADVERTENCIA!** Cualquier cambio o modificación a esta unidad no aprobado expresamente por la parte responsable por el cumplimiento puede hacer que el usuario pierda el derecho de utilizar el equipo.

Dispositivo Clase B:

NOTA: este equipo ha sido probado y cumple con los límites de la Clase B de dispositivos digitales, de acuerdo con la Parte 15 de las normas de la FCC.

Estos límites están diseñados para proporcionar protección razonable contra interferencias dañinas en una instalación residencial.

Este equipo genera, usa y puede irradiar energía de radiofrecuencia y, si no se instala y utiliza de acuerdo con las instrucciones, puede provocar interferencias perjudiciales en las comunicaciones radiofónicas.

No obstante, no hay garantía alguna de que no se produzcan interferencias en una instalación concreta.

Si este equipo llegara a causar una interferencia perjudicial para la recepción de radio o televisión (la cual se puede determinar apagando y encendiendo el equipo), se recomienda que el usuario trate de corregir la interferencia tomando una o más de las siguientes medidas:

- Reorientar o reubicar la antena receptora.
- Aumentar la distancia entre el equipo y el receptor.
- Conectar el equipo a un tomacorriente correspondiente a un circuito diferente de aquel al que está conectado el receptor.
- Consultar a un comerciante o a un técnico experimentado de radio y televisión.

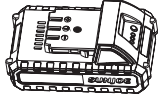
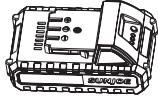


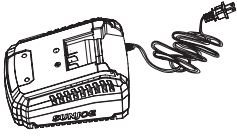
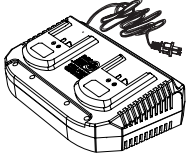
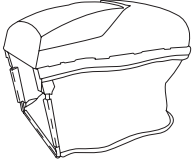
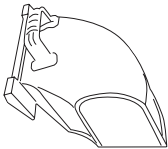
Solución de problemas

- Retire la llave de seguridad antes de llevar a cabo tareas de mantenimiento en la máquina o verificar que sus partes estén funcionando correctamente.
- Para evitar complicaciones innecesarias, revise la siguiente tabla antes de ponerse en contacto con un técnico calificado por cualquier problema mecánico.

Falla	Causa posible	Solución
La podadora no enciende	<ul style="list-style-type: none"> a) La llave de seguridad no está insertada. b) El control del motor/cuchilla está desactivado. c) La batería está baja. d) La plataforma de podado está obstruida con césped o residuos. e) El césped es demasiado alto. 	<ul style="list-style-type: none"> a) Inserte la llave de seguridad. b) Presione primero el botón de trabado de seguridad, y luego la palanca interruptora. c) Cargue la batería. d) Limpie la plataforma de podado. Asegúrese de que la cuchilla se mueva libremente. e) Configure la podadora a una altura mayor de corte. Levante levemente las ruedas frontales empujando hacia abajo el manillar.
La podadora se detiene mientras poda	<ul style="list-style-type: none"> a) La batería está baja. b) El césped es demasiado alto. c) La plataforma de podado está obstruida con césped o residuos. d) La máquina está sobrecargada, y el sistema de protección contra sobrecargas la ha apagado. 	<ul style="list-style-type: none"> a) Cargue la batería. b) Restablezca la altura de corte. c) Limpie la plataforma de podado. Asegúrese de que la cuchilla se mueva libremente. d) Deje que la máquina se enfríe por cinco minutos. Espere a que la protección contra sobrecargas restablezca la máquina.
La podadora no puede cortar césped de forma pareja	<ul style="list-style-type: none"> a) El césped está grueso o disperejo. b) La cuchilla no está lo suficientemente afilada. 	<ul style="list-style-type: none"> a) Ajuste la altura de corte. b) Afile o reemplace la cuchilla.
La podadora no puede triturar adecuadamente	<ul style="list-style-type: none"> a) La plataforma de podado está obstruida con césped o residuos. b) El césped está demasiado mojado. c) El césped es demasiado alto. d) La cuchilla no está lo suficientemente afilada. 	<ul style="list-style-type: none"> a) Limpie la plataforma de podado. Asegúrese de que la cuchilla se mueva libremente. b) Espere a que el césped se seque. c) Ajuste la altura de corte a la posición más alta para podar por primera vez, y vuelva a podar a la altura deseada. d) Afile o reemplace la cuchilla.
La podadora es difícil de empujar	<ul style="list-style-type: none"> a) El césped es demasiado alto para ser cortado. b) La cuchilla o la parte trasera de la podadora arrastran césped acumulado. 	<ul style="list-style-type: none"> a) Incremente la altura de corte.
La podadora vibra a altas velocidades	<ul style="list-style-type: none"> a) El eje del motor está doblado. b) La cuchilla está desbalanceada. c) El tornillo de la cuchilla está aflojado. 	<ul style="list-style-type: none"> a) Detenga el motor, retire la llave de seguridad, e inspeccione los daños. Comuníquese con un técnico calificado. b) Balancee la cuchilla afilando cada borde de corte equitativamente, o reemplácela con una nueva. c) Ajuste el perno de cuchilla.

Accesorios opcionales

⚠ ¡ADVERTENCIA! USE SIEMPRE solo partes de repuesto y accesorios Snow Joe® + Sun Joe®. Nunca use partes de repuesto o accesorios que no estén destinados para su uso con esta herramienta. Comuníquese con Snow Joe® + Sun Joe® si tiene dudas sobre si es seguro usar una parte de repuesto o accesorio en particular con su herramienta. El uso de cualquier otro accesorio o parte puede ser peligroso y causar lesiones personales o daños mecánicos.

Accesorios	Descripción	Modelo
<p>1</p> 	Batería de iones de litio 24 V de iON+ y 2.0 Ah	24VBAT-LTE
<p>2</p> 	Batería de iones de litio 24 V de iON+ y 2.5 Ah	24VBAT-LT
<p>3</p> 	Batería de iones de litio 24 V de iON+ y 4.0 Ah	24VBAT
<p>4</p> 	Batería de iones de litio 24 V de iON+ y 5.0 Ah	24VBAT-XR
<p>5</p> 	Cargador rápido de batería de iones de litio 24 V de iON+	24VCHRG-QC
<p>6</p> 	Cargador de dos puertos de baterías de iones de litio 24 V de iON+	24VCHRG-DPC
<p>7</p> 	Bolsa recolectora de césped de 10.6 gal (40 L)	MJ401E-10
<p>8</p> 	Accesorio de conducto de descarga lateral de podadora de césped	MJ401E-DCA

NOTA: los accesorios están sujetos a cambios sin obligación alguna por parte de Snow Joe® + Sun Joe® de notificar sobre dichos cambios. Los accesorios pueden ser pedidos en línea en sunjoe.com o vía telefónica llamando a la central de servicio al cliente Snow Joe® + Sun Joe® al 1-866-SNOWJOE (1-866-766-9563).



LA PROMESA DE SNOW JOE® + SUN JOE® AL CLIENTE

POR SOBRE TODO, en Snow Joe, LLC (“Snow Joe”) estamos dedicados a usted, nuestro cliente. Nos esforzamos por hacer que su experiencia sea lo más placentera posible. Desafortunadamente, hay veces en que un producto Snow Joe®, Sun Joe®, o Aqua Joe® (el “Producto”) no funciona o sufre un desperfecto bajo condiciones normales de operación. Creemos que es importante que usted sepa que puede confiar en nosotros. Es por eso que tenemos esta Garantía Limitada (la “Garantía”) para nuestros Productos.

NUESTRA GARANTÍA:

Snow Joe garantiza que sus Productos motorizados y no motorizados, nuevos y genuinos, están libres de defectos materiales o de mano de obra al ser usados en tareas domésticas normales durante un periodo de dos (2) años a partir de la fecha de compra por parte del comprador original y usuario final, cuando este último los compra a través de Snow Joe o un vendedor autorizado por Snow Joe y ha obtenido un comprobante de compra. Ya que Snow Joe no puede controlar la calidad de sus Productos vendidos por vendedores no autorizados, a menos que la ley lo prohíba esta Garantía no cubre Productos adquiridos a través de vendedores no autorizados. Si su Producto no funciona, o hay un problema con una parte específica que está cubierta por los términos de esta Garantía, Snow Joe elegirá entre: (1) enviarle una parte de repuesto gratuita; (2) reemplazar el Producto con uno nuevo o similar sin costo alguno; o (3) reparar el Producto. ¡Un excelente soporte!

Esta Garantía le da derechos legales específicos, y usted puede también tener otros derechos según el Estado.

REGISTRO DEL PRODUCTO:

Snow Joe le recomienda enfáticamente registrar su Producto. Usted puede registrar su Producto en línea visitando snowjoe.com/register, imprimiendo y enviando por correo una tarjeta de registro disponible en línea en nuestro sitio Web, llamando a nuestra central de servicio al cliente al **1-866-SNOWJOE (1-866-766-9563)**, o enviándonos un e-mail a help@snowjoe.com. Si usted no registra su Producto sus derechos de garantía no disminuirán; sin embargo, registrar su Producto permitirá que Snow Joe le pueda atender mejor si usted tiene alguna necesidad como cliente.

¿QUIÉN PUEDE SOLICITAR COBERTURA DE GARANTÍA LIMITADA?

Esta Garantía es otorgada por Snow Joe al comprador original y propietario original del Producto.

¿QUÉ NO ESTÁ CUBIERTO?

Esta Garantía no se aplica si el Producto ha sido usado de forma comercial o en aplicaciones no domésticas o de alquiler. Esta Garantía tampoco se aplica si el Producto fue adquirido desde un vendedor no autorizado. Esta garantía tampoco cubre cambios cosméticos que no afecten el funcionamiento del Producto. Las partes desgastables como correas, brocas y cuchillas no están cubiertas por esta Garantía, y pueden ser compradas visitando snowjoe.com o llamando al **1-866-SNOWJOE (1-866-766-9563)**.



IMPORTANT!

Consignes de sécurité

Tous les utilisateurs doivent lire ces consignes avant d'utiliser la machine.

Suivez toujours ces consignes de sécurité. Ne pas s'y conformer peut entraîner de graves blessures pouvant même être fatales.

AVERTISSEMENTS d'ordre général en matière de sécurité!

Quand vous utilisez cette tondeuse à gazon sans cordon, les précautions de sécurité de base doivent toujours être suivies pour réduire le risque d'incendie, d'électrocution ou de blessure corporelle. Parmi ces précautions figurent les avertissements suivants :

⚠️ AVERTISSEMENT! Ne pas utiliser sans que le sac à herbe complet, le déflecteur de protection de décharge, la protection arrière ou d'autres dispositifs de protection et de sécurité soient en place et en bon ordre de marche.

⚠️ AVERTISSEMENT! L'utilisation de tout autre accessoire ou pièce attachée pourrait augmenter le risque de blessure.

⚠️ AVERTISSEMENT! Pour réduire le risque de blessure, inspecter fréquemment l'ensemble sac à herbe et le remplacer par une pièce recommandée s'il présente des signes d'usure ou de détérioration.

Avant d'utiliser la tondeuse, prenez le temps de vous familiariser avec les commandes, spécialement la façon d'arrêter la tondeuse en cas d'urgence. Les seules personnes qui devraient utiliser la tondeuse sont celles qui comprennent parfaitement les instructions et qui savent comment utiliser la machine. Les enfants ne devraient jamais être autorisés à avoir accès à la tondeuse.

Conservez ce manuel pour le consulter éventuellement dans le futur et relisez-le au début de chaque saison de tonte de pelouses.

⚠️ AVERTISSEMENT! Tout contact avec des pièces mobiles peut être cause d'un happement, de mutilation ou d'autres blessures graves. Toujours maintenir les parties du corps (c.-à-d., les mains, les pieds) à bonne distance des pièces mobiles. Avant utilisation de la machine, s'assurer que tous les éléments couvrants et dispositifs de protection sont bien en place.

Les surfaces chaudes (c.-à-d., le moteur) peuvent enflammer des éléments inflammables ou combustibles et déclencher un incendie ou une explosion, ce qui peut être à l'origine de graves blessures corporelles. Maintenir la tondeuse à bonne distance des éléments inflammables ou combustibles tant que les surfaces qui sont chaudes n'ont pas complètement refroidi. Ne pas remiser la tondeuse à proximité d'éléments inflammables ou combustibles.

Une lame endommagée ou un écrou de lame usé peut briser l'ensemble tondeuse et entraîner de graves blessures. Remplacer la lame ou l'écrou de lame endommagé avant d'utiliser la tondeuse.

- 1. Éviter les situations dangereuses** – N'utilisez pas la tondeuse sous la pluie ou quand l'herbe est trempée ou humide.
- 2. Maintenir à l'écart les enfants, les spectateurs et les animaux familiers** – Tenez toujours les enfants et les spectateurs à bonne distance de la tondeuse pendant son utilisation et le refroidissement du moteur.
- 3. S'habiller en conséquence** – Portez toujours un équipement de protection individuelle (c.-à-d., des lunettes, des gants en caoutchouc, des chaussures de protection et un masque protecteur contre la poussière) et des vêtements appropriés quand vous utilisez la tondeuse. Les vêtements amples, les cheveux longs ou les bijoux peuvent se prendre dans les pièces mobiles.
- 4. Utiliser une machine adaptée au travail à faire** – N'utilisez pas la tondeuse à gazon pour un travail autre que celui auquel elle est destinée.
- 5. Ne pas forcer la tondeuse à gazon** – Elle fonctionnera mieux, sera moins dangereuse et moins susceptible de tomber en panne si elle est utilisée au régime pour lequel elle a été conçue.
- 6. Ne pas s'arc-bouter** – Restez en permanence sur les deux pieds pour ne pas perdre l'équilibre.
- 7. Rester vigilant** – Soyez toujours à l'affût et surveillez ce que vous faites. Faites preuve de bon sens. N'utilisez pas la tondeuse à gazon quand vous êtes fatigué ou si vous avez consommé de l'alcool ou de la drogue.

8. **Désactiver l'alimentation électrique de la tondeuse à gazon** – Arrêtez la machine et retirez la clé de sécurité lorsque vous ne l'utilisez pas, avant d'intervenir dessus, lorsque vous changez d'accessoire ou effectuez toute autre tâche d'entretien.
9. **Remiser la tondeuse à gazon à l'intérieur quand elle n'est pas utilisée** – Si vous ne l'utilisez pas, la tondeuse à gazon doit être remise à l'intérieur dans un endroit sec, sous clé et hors de portée des enfants.
10. **Entretenir soigneusement la tondeuse à gazon** – Pour qu'ils puissent être utilisés au mieux de leur rendement et sans danger, maintenez les tranchants affûtés et propres.
11. **Utiliser un équipement de protection individuel. Toujours porter des lunettes de protection** – Les équipements de protection, par exemple des lunettes de sécurité, un masque protecteur contre la poussière, des chaussures de sécurité antidérapantes, un casque de protection ou une protection de l'ouïe, utilisés dans les conditions appropriées, réduiront le risque de se blesser.
12. **Prévenir les démarrages accidentels** – Avant d'insérer la clé de sécurité, ou avant de saisir la machine ou la transporter, assurez-vous que l'interrupteur est sur la position d'arrêt. Transporter un outil électrique en maintenant le doigt sur l'interrupteur ou le recharger quand l'interrupteur est sur la position de marche peut être source d'accidents.
13. **Retirer toute clavette de calage ou autre clé avant de mettre en marche la machine électrique** – Toute clé qui reste attachée à une pièce tournante de machine électrique peut blesser.
14. **Maintenir le tranchant de la lame bien affûté et propre** – Les lames bien entretenues, au tranchant affûté, sont moins susceptibles de se gripper et sont plus faciles à contrôler.
15. **Maintenir toutes les parties du corps éloignées de la lame** – Lorsque la lame est en mouvement, ne retirez pas ce qui est déjà tondu et ne tenez pas ce qui va être tondu. Si vous essayez de décoincer la lame, assurez-vous que l'interrupteur est fermé. Lorsque vous utilisez la machine, un moment d'inattention peut se traduire par de graves blessures.
16. Si la tondeuse à gazon heurte quoi que ce soit, suivez ces étapes :
 - i) Arrêtez la tondeuse à gazon en relâchant le levier-interrupteur.
 - ii) Retirez la clé de sécurité.
 - iii) Inspectez la machine pour vérifier qu'elle n'est pas endommagée.
 - iv) Réparez tout dommage avant de redémarrer et d'utiliser à nouveau la tondeuse à gazon.
17. Utilisez uniquement des lames de rechange identiques et des pièces d'origine.
18. Maintenez les dispositifs de sécurité en place et en bon ordre de marche.

Sécurité électrique

1. Si le câble du chargeur de batterie est endommagé, veuillez appeler le service clientèle Snow Joe® + Sun Joe® au 1-866-SNOWJOE (1-866-766-9563).
2. S'il vous est impossible d'éviter de recharger la machine dans un endroit humide, utilisez une source d'alimentation électrique protégée par un dispositif différentiel à courant résiduel. Ce type de dispositif de protection réduit le risque d'électrocution.
3. Évitez tout contact du corps avec tout ce qui est mis à la terre, p. ex., tuyaux, radiateurs, fourneaux de cuisine et réfrigérateurs. Il y a un risque accru d'électrocution si votre corps est relié à la terre.
4. **N'utilisez pas les outils ou machines électriques sous la pluie ou par forte humidité.** L'eau qui pénètre dans un outil ou une machine électrique augmente le risque d'électrocution.
5. **Ne malmenez pas le cordon du chargeur.** N'utilisez jamais le cordon pour transporter, tirer ou débrancher le chargeur. Maintenez le cordon éloigné de la chaleur, de l'huile, d'arêtes tranchantes ou de pièces mobiles. Les cordons endommagés ou entortillés augmentent le risque d'électrocution.
6. Le chargeur de batterie est conçu pour être utilisé uniquement à l'intérieur. Ne chargez pas la tondeuse à gazon sous la pluie ou dans les endroits humides.

Consignes de sécurité concernant la batterie et le chargeur

Nous avons consacré beaucoup de temps à la conception de chaque bloc-piles afin de nous assurer de vous fournir des batteries qui peuvent être utilisées sans danger, sont robustes et ont une énergie volumique élevée. Les cellules de la batterie sont dotées d'un large éventail de dispositifs de sécurité. Chaque cellule individuelle est initialement formatée et ses courbes électriques caractéristiques sont enregistrées. Ces données sont ensuite utilisées exclusivement pour pouvoir assembler les meilleurs blocs-piles possible.

Malgré toutes ces mesures de précaution, il faut toujours faire preuve de prudence lors de la manipulation de batteries. Pour utiliser sans danger les batteries, les points suivants doivent être observés en permanence. L'utilisation sans danger peut uniquement être garantie si les cellules sont intactes. Toute manipulation inappropriée d'un bloc-piles peut endommager les cellules.

IMPORTANT! Les analyses confirment que la mauvaise utilisation de batteries à haut rendement et un entretien laissant à désirer sont les principaux facteurs responsables de dommages corporels et/ou matériels.

⚠️ AVERTISSEMENT! Utiliser uniquement des batteries de rechange homologuées. D'autres types de batteries peuvent endommager la machine électrique et empêcher son bon fonctionnement, ce qui peut entraîner de graves dommages corporels.

⚠️ AVERTISSEMENT! Ne pas utiliser une machine ou un bloc-piles endommagé ou modifié. Les batteries endommagées ou modifiées peuvent se comporter de manière imprévisible et provoquer un incendie ou une explosion ou présenter un risque de blessure.

Ne modifiez pas la machine ou le bloc-piles ou n'essayez pas de les réparer, sauf précisions contraires concernant leur utilisation ou leur entretien.

Faites réparer ou entretenir votre bloc-piles par un réparateur qualifié utilisant uniquement des pièces de rechange identiques. C'est à ce prix que la sécurité du bloc-piles sera préservée.

⚠️ MISE EN GARDE! Pour réduire le risque de blessures, charger le bloc-piles au lithium-ion 24 V iON+ uniquement à l'aide du chargeur au lithium-ion spécifiquement prévu à cet effet. Les autres types de chargeurs présentent des risques d'incendie et de dommages corporels et matériels. Ne brancher aucun bloc-piles sur le secteur ou sur l'allumecigare d'une voiture. Le bloc-piles serait définitivement et irrémédiablement endommagé.

- **Éviter les endroits dangereux** – Ne chargez pas le bloc-piles sous la pluie, sous la neige ou dans les endroits humides. N'utilisez pas le bloc-piles ou le chargeur quand l'atmosphère est explosive (effluents gazeux, poussière ou matières inflammables), des étincelles pouvant se produire lors de l'insertion ou la dépose du bloc-piles, ce qui pourrait provoquer un incendie.
- **Charger dans un endroit bien ventilé** – N'obstruez pas les fentes d'aération du chargeur. Dégagez le voisinage immédiat du chargeur pour qu'il soit bien ventilé. Interdisez de fumer et n'autorisez la présence d'aucune flamme nue à proximité d'un bloc-piles se chargeant. Le gaz dispersé dans l'atmosphère peut exploser.

REMARQUE : la plage de sécurité de températures pour la batterie se situe entre 5 °C et 40,5 °C. Ne chargez pas la batterie à l'extérieur quand il gèle, chargez-la à température ambiante.

- **Prendre soin du cordon du chargeur** – Quand vous débranchez le chargeur, pour éviter d'endommager la fiche électrique et le cordon, tirez sur la fiche dans la prise et non sur le cordon. Ne tirez jamais le chargeur par le cordon et ne tirez pas brusquement sur le cordon pour le retirer de la prise. Maintenez le cordon éloigné de la chaleur, de l'huile et des arêtes tranchantes. Pendant l'utilisation du chargeur, assurez-vous que personne ne marche sur le cordon, ne trébuche dessus et qu'il ne peut être ni endommagé ni soumis à des tensions ou des pressions. N'utilisez pas le chargeur si sa fiche ou son cordon est endommagé. Remplacez immédiatement tout chargeur endommagé.

- **Ne pas utiliser de rallonge électrique, sauf nécessité absolue** – L'utilisation d'une rallonge électrique mal adaptée, endommagée ou mal branchée présente des risques d'incendie et d'électrocution. S'il s'avère nécessaire d'utiliser une rallonge électrique, branchez le chargeur dans une rallonge électrique de calibre 16 ou plus gros, la fiche femelle correspondant à la fiche mâle sur le chargeur. Vérifiez que la rallonge électrique est en bon état.
- **Utiliser uniquement les accessoires recommandés** – L'utilisation d'un accessoire non recommandé ou vendu par le fabricant du chargeur de batterie ou du bloc-piles présente des risques d'incendie, d'électrocution ou de blessures.
- **Débrancher le chargeur quand il n'est pas utilisé** – Assurez-vous de retirer le bloc-piles quand le chargeur est débranché.

⚠️ AVERTISSEMENT! Pour réduire le risque d'électrocution, toujours débrancher le chargeur avant d'effectuer un nettoyage ou un entretien. Ne pas laisser d'eau couler dans le chargeur. Pour réduire le risque d'électrocution, utiliser un disjoncteur différentiel de fuite de terre (DDFT).

- **Ne pas brûler ou incinérer les blocs-piles** – Les blocs-piles peuvent exploser et entraîner des dommages corporels ou matériels. Des vapeurs et des particules toxiques se dégagent des blocs-piles qui brûlent.
- **Ne pas écraser, faire tomber ou endommager les blocs-piles** – N'utilisez pas le bloc-piles ou le chargeur s'il a reçu un coup brutal, s'il est tombé, s'il a été écrasé ou endommagé d'une façon ou d'une autre (c.-à-d., percé par un clou, frappé d'un coup de marteau, foulé au pied, etc.).
- **Ne pas démonter** – Un remontage mal effectué peut poser un risque important d'électrocution, d'incendie ou d'exposition aux produits chimiques toxiques de la batterie. Si la batterie ou le chargeur est endommagé, veuillez communiquer avec un revendeur Snow Joe® + Sun Joe® agréé ou appeler le service clientèle Snow Joe® + Sun Joe® au 1-866-SNOWJOE (1-866-766-9563) pour de l'aide.
- **Les produits chimiques de la batterie peuvent occasionner de graves brûlures** – Ne laissez jamais un bloc-piles endommagé entrer en contact avec la peau, les yeux ou la bouche. Si un bloc-piles endommagé laisse fuir des produits chimiques, utilisez des gants en caoutchouc ou en néoprène pour les éliminer sans danger. Si la peau est entrée en contact avec des fluides de batterie, lavez la zone affectée à l'eau et au savon et rincez au vinaigre. Si les yeux sont entrés en contact avec des produits chimiques de batterie, rincez immédiatement à grande eau pendant 20 minutes et consultez un médecin. Retirez les vêtements contaminés et jetez-les.
- **Ne pas provoquer de court-circuit** – Un court-circuit se produira si un objet en métal relie les contacts positif et négatif du bloc-piles. Ne placez aucun bloc-piles près de tout ce qui peut provoquer un court-circuit, par exemple un trombone, une pièce de monnaie, une clé, une vis, un clou ou tout autre objet métallique. Un bloc-piles en court-circuit présente un risque d'incendie et peut blesser gravement.

- **Ranger le bloc-piles et son chargeur dans un endroit frais et sec** – Ne rangez pas le bloc-piles ou le chargeur quand la température peut être supérieure à 40,5 °C, par exemple directement sous les rayons du soleil, à l'intérieur d'un véhicule ou dans un cabanon en métal pendant l'été.

Renseignements sur la batterie

1. Le bloc-piles fourni avec votre machine électrique sans cordon n'est que partiellement chargé. Le bloc-piles doit être complètement chargé avant d'utiliser la machine pour la première fois.
2. Pour que la batterie fonctionne de manière optimale, évitez d'attendre que le bloc-piles soit presque déchargé et chargez-le fréquemment.
3. Rangez le bloc-piles dans un endroit frais, idéalement à 25 °C et chargé au moins à 40 %.
4. Les batteries au lithium-ion s'usent naturellement avec le temps. Le bloc-piles doit être remplacé au plus tard quand sa capacité chute à 80 % de sa capacité d'origine, neuf. Les cellules affaiblies dans un bloc-piles usé ne peuvent plus produire la forte intensité exigée pour que votre tondeuse à gazon sans cordon fonctionne normalement, ce qui présente un risque pour la sécurité.
5. Ne jetez pas les blocs-piles dans un feu nu, ils pourraient exploser.
6. Ne mettez pas le feu aux blocs-piles et ne les exposez pas à une flamme.
7. Ne déchargez pas les batteries jusqu'à leur épuisement. Toute décharge jusqu'à épuisement de la batterie endommagera ses cellules. Le rangement prolongé et la non-utilisation de batteries partiellement déchargées sont les causes les plus communes de décharge de batterie jusqu'à épuisement. Arrêtez votre travail dès que vous remarquez que la puissance de la batterie chute ou dès que le système de protection électronique se déclenche. Rangez le bloc-piles uniquement s'il est à charge complète.
8. Protégez la batterie et la machine contre les surcharges. Les surcharges donneront rapidement lieu à une surchauffe et endommageront les cellules à l'intérieur du compartiment de batterie, même si cette surchauffe n'est pas visible de l'extérieur.
9. Évitez d'endommager la batterie et de la soumettre à des chocs. Remplacez immédiatement les batteries qui sont tombées d'une hauteur supérieure à 1 m ou celles qui ont été soumises à des chocs violents, même si le boîtier du bloc-piles ne semble pas endommagé. Les cellules à l'intérieur de la batterie peuvent avoir été gravement endommagées. Dans ce cas, veuillez lire les renseignements sur l'élimination des déchets en ce qui concerne les batteries.
10. Si un bloc-piles souffre d'une surcharge ou d'une surchauffe, le coupe-circuit de protection intégré coupe le moteur de la machine pour des raisons de sécurité.

IMPORTANT! N'appuyez plus sur l'interrupteur marche-arrêt si le coupe-circuit de protection a été activé. Ceci pourrait endommager le bloc-piles.

11. Utilisez uniquement des blocs-piles d'origine. L'utilisation d'autres batteries présente un risque d'incendie et pourrait provoquer des blessures ou une explosion.

Renseignements sur le chargeur et sur le processus de charge

1. Veuillez vérifier les données marquées sur la plaque signalétique du chargeur de batterie. Veillez à brancher le chargeur de batterie sur une source d'alimentation correspondant à la tension indiquée sur la plaque signalétique. Ne le branchez jamais sur une tension de secteur différente.
2. Protégez le chargeur de batterie et son cordon pour éviter de les endommager. Maintenez le chargeur et son cordon éloignés de la chaleur, de l'huile et des arêtes tranchantes. Faites réparer sans délai les cordons endommagés par un technicien qualifié chez un revendeur Snow Joe® + Sun Joe® agréé ou appelez le service à la clientèle Snow Joe® + Sun Joe® au 1-866-SNOWJOE (1-866-766-9563).
3. Les fiches électriques doivent correspondre à la prise. N'apportez aucune modification, quelle qu'elle soit, à la fiche. N'utilisez pas de fiche d'adaptation avec les outils ou machines mis à la terre. Des fiches non modifiées et des prises correspondantes réduiront le risque d'électrocution.
4. Maintenez hors de portée des enfants le chargeur de batterie, le ou les blocs-piles et l'outil ou la machine sans cordon.
5. N'utilisez pas le chargeur de batterie qui est fourni pour charger d'autres outils ou machines sans cordon.
6. Le bloc-piles devient chaud après une utilisation prolongée. Laissez le bloc-piles se refroidir à la température ambiante avant de l'insérer dans le chargeur pour le recharger.
7. Ne chargez pas trop la batterie. Ne dépassez pas le temps maximal de charge. Ces temps de charge ne s'appliquent qu'aux batteries déchargées. L'insertion fréquente d'un bloc-piles chargé ou partiellement chargé provoquera une surcharge et endommagera les cellules. Ne laissez pas la batterie dans le chargeur pendant plusieurs jours consécutifs.
8. N'utilisez ou ne chargez jamais une batterie si vous soupçonnez qu'il y a plus de 12 mois qu'elle a été chargée pour la dernière fois. Il est extrêmement probable que le bloc-piles soit déjà dangereusement endommagé (décharge jusqu'à épuisement complet).
9. Si vous chargez une batterie à une température inférieure à 5 °C, vous endommagez les produits chimiques des cellules, ce qui peut provoquer un incendie.
10. N'utilisez pas les batteries qui ont été exposées à la chaleur pendant leur charge, car les cellules de batterie peuvent avoir été dangereusement endommagées.
11. N'utilisez pas les batteries qui se sont bombées ou ont subi des déformations pendant le processus de charge, ni celles présentant d'autres symptômes atypiques (échappement de gaz, sifflement, fissures, etc.).

12. Ne déchargez jamais complètement un bloc-piles (le niveau maximal de décharge est de 80 %). La décharge totale du bloc-piles entraînera le vieillissement prématuré des cellules de la batterie.

Protection contre les influences environnementales

1. Portez des vêtements de travail adaptés. Portez des lunettes de sécurité.
2. Protégez votre machine sans cordon et le chargeur de batterie contre l'humidité et la pluie. L'humidité et la pluie peuvent endommager dangereusement les cellules.
3. N'utilisez pas la machine sans cordon ou le chargeur de batterie près de vapeurs ou de liquides inflammables.
4. Utilisez le chargeur de batterie et les outils ou machines sans cordon uniquement en milieu sec et à une température ambiante comprise entre 5 et 40,5 °C.
5. Ne conservez pas le chargeur de batterie dans les endroits où la température est susceptible d'être supérieure à 40 °C. Ne laissez surtout pas le chargeur de batterie dans une voiture qui stationne au soleil.
6. Protégez les batteries contre les surcharges. Les surcharges et l'exposition directe aux rayons du soleil entraînent une surchauffe des cellules et les endommagent. Ne chargez ou n'utilisez jamais de batteries qui ont surchauffé : au besoin, remplacez-les immédiatement.
7. Rangez le chargeur et votre machine sans cordon uniquement dans un endroit sec où la température ambiante est comprise entre 4,5 °C et 40,5 °C. Rangez votre bloc-piles au lithium-ion dans un endroit frais et sec à une température comprise entre 10 et 20 °C. Protégez le bloc-piles, le chargeur et la machine sans cordon contre l'humidité et les rayons du soleil. Rangez uniquement les batteries à charge complète (chargées au minimum à 40 %).
8. Empêchez le bloc-piles au lithium-ion de geler. Les blocs-piles qui ont été stockés à des températures inférieures à 0 °C pendant plus de 60 minutes doivent être éliminés.
9. Quand vous manipulez une batterie, prenez garde aux décharges électrostatiques, elles peuvent endommager le système de protection électronique et les cellules de batterie. Évitez de produire des charges électrostatiques et ne touchez jamais les pôles de batterie.

IMPORTANT!

Consignes de sécurité pour les tondeuses poussées

Généralités concernant l'utilisation

- Avant de démarrer, lisez, comprenez et suivez toutes les instructions sur la machine et dans le ou les manuels.
- Ne mettez ni les mains ni les pieds sous la machine. Tenez-vous toujours à l'écart de l'ouverture d'éjection.

- Seuls les adultes responsables et familiarisés avec les instructions devraient être autorisés à utiliser cette machine.
- Débarrassez la zone à tondre de tout corps étranger, par exemple les roches, fils, jouets et autres éléments divers, susceptibles d'être ramassés et projetés par la lame. Restez derrière le guidon pendant que le moteur tourne.
- Avant de démarrer la machine, assurez-vous qu'il n'y a plus aucun spectateur dans la zone à tondre. Arrêtez la machine si quelqu'un pénètre dans la zone à tondre.
- N'utilisez pas la machine pieds nus ou si vous portez des sandales. Portez toujours des chaussures suffisamment montantes.
- Regardez toujours vers le bas et l'arrière quand vous utilisez la tondeuse à reculons.
- Ne dirigez jamais les matières rejetées en direction d'une personne. Évitez de diriger les matières rejetées contre un mur ou tout autre obstacle.
- N'utilisez pas la machine sans que la totalité du sac à herbe, le déflecteur de protection de décharge, la protection arrière ou les autres dispositifs de sécurité soient en place et en bon ordre de marche.
- Ne laissez jamais sans surveillance une machine dont le moteur tourne.
- Arrêtez le moteur et attendez jusqu'à ce que la lame s'arrête complètement avant de nettoyer la machine, de retirer le sac à herbe ou de déboucher le déflecteur de protection de décharge.
- Utilisez la machine uniquement à la lumière du jour ou sous un bon éclairage artificiel.
- N'utilisez pas la machine quand vous êtes fatigué ou si vous avez consommé de l'alcool ou de la drogue.
- N'utilisez jamais la tondeuse dans de l'herbe humide. Assurez toujours vos pas; marchez, ne courez jamais quand vous utilisez la tondeuse.
- Si la machine commence à vibrer d'une manière anormale, arrêtez le moteur et inspectez immédiatement la machine pour rechercher ce qui est à l'origine des vibrations. Les vibrations sont généralement des signes précurseurs d'un problème.
- Maintenez la lame affûtée.
- Gardez les mains et les pieds à bonne distance de l'ensemble de coupe.
- Portez toujours des lunettes de protection quand vous utilisez la machine.
- Tout ce qui est heurté par la lame de la tondeuse à gazon peut provoquer de graves blessures. Avant chaque tonte de pelouse, la zone à tondre doit toujours être inspectée attentivement et débarrassée de tout corps étranger.

Utilisation sur terrain pentu

Les terrains pentus sont la cause majeure d'accidents dus à des glissades ou à des chutes et des graves blessures qu'ils peuvent entraîner. L'utilisation d'une tondeuse sur terrain pentu exige une extrême vigilance. Si vous ne vous sentez pas à l'aise sur un terrain pentu, ne le tondez pas.

- Tondez en travers de la pente, jamais en montant ou en descendant. Faites preuve d'une extrême prudence quand vous changez de direction sur un terrain pentu.
- Faites attention aux trous, aux ornières, aux bosses, aux roches et à tout ce qui peut être caché. Ils peuvent vous faire glisser ou tomber sans prévenir.
- Ne tondez pas de l'herbe mouillée ou des pelouses excessivement pentues. Si vous êtes instable sur vos deux pieds, vous risquez de glisser ou de tomber.
- Ne tondez pas à proximité d'à-pics, de fossés ou de talus. Vous pourriez perdre l'équilibre.

Enfants

Des accidents tragiques peuvent se produire si l'utilisateur ne fait pas attention à la présence d'enfants. Les enfants font souvent preuve d'une grande curiosité à l'égard de la machine et de l'opération de tonte elle-même. Ne supposez jamais que les enfants resteront là où vous les avez vus pour la dernière fois.

- Maintenez les enfants à l'écart de la zone à tondre et sous la stricte surveillance d'un adulte responsable autre que l'utilisateur.
- Soyez vigilant et arrêtez la tondeuse si un enfant pénètre dans la zone de travail.
- Ne laissez jamais un enfant utiliser la machine.
- Redoublez d'attention en approchant les coins aveugles, les buissons, les arbres ou tout ce qui pourrait vous empêcher de voir un enfant.
















Entretien et réparation

- Avant d'entretenir ou de réparer la tondeuse à gazon, de la nettoyer ou de retirer l'herbe accumulée dessous, désactivez l'alimentation électrique de la machine en retirant la clé de sécurité.
- Maintenez serrés tous les écrous et boulons.
- Ne trafiquez jamais les dispositifs de sécurité. Faites des vérifications régulières pour vous assurer que ces dispositifs sont en place et en bon ordre de marche.
- Débarrassez la tondeuse de toute accumulation d'herbe, feuilles ou autres débris.
- Si vous heurtez un corps étranger, arrêtez le moteur et inspectez la machine. Réparez au besoin avant de redémarrer.
- N'effectuez jamais de réglages ou de réparations lorsque le moteur tourne. Débranchez toujours votre tondeuse électrique avant de la régler, de la nettoyer ou de la réparer.

- Inspectez fréquemment les composants du sac à herbe et le déflecteur de protection d'éjection et, au besoin, remplacez-les par des pièces recommandées par le fabricant.
- La lame de la tondeuse est affûtée. Enveloppez la lame ou portez des gants et faites preuve d'une extrême prudence quand vous la réparez.
- Maintenez visibles les étiquettes de sécurité et d'instructions ou, le cas échéant, remplacez-les.
- Si votre machine électrique nécessite d'être réparée, communiquez avec un revendeur Snow Joe® + Sun Joe® agréé ou appelez le service clientèle Snow Joe® + Sun Joe® au 1-866-SNOWJOE (1-866-766-9563). Pour les réparations, il faut uniquement utiliser des pièces de rechange identiques. C'est à ce prix que la sécurité de la machine électrique sera préservée.
- Si le câble du chargeur de batterie est endommagé, il doit être immédiatement remplacé pour éviter tout danger. Communiquez avec le service clientèle Snow Joe® + Sun Joe® en appelant le 1-866-SNOWJOE (1-866-766-9563) pour de l'aide.

Symboles de sécurité

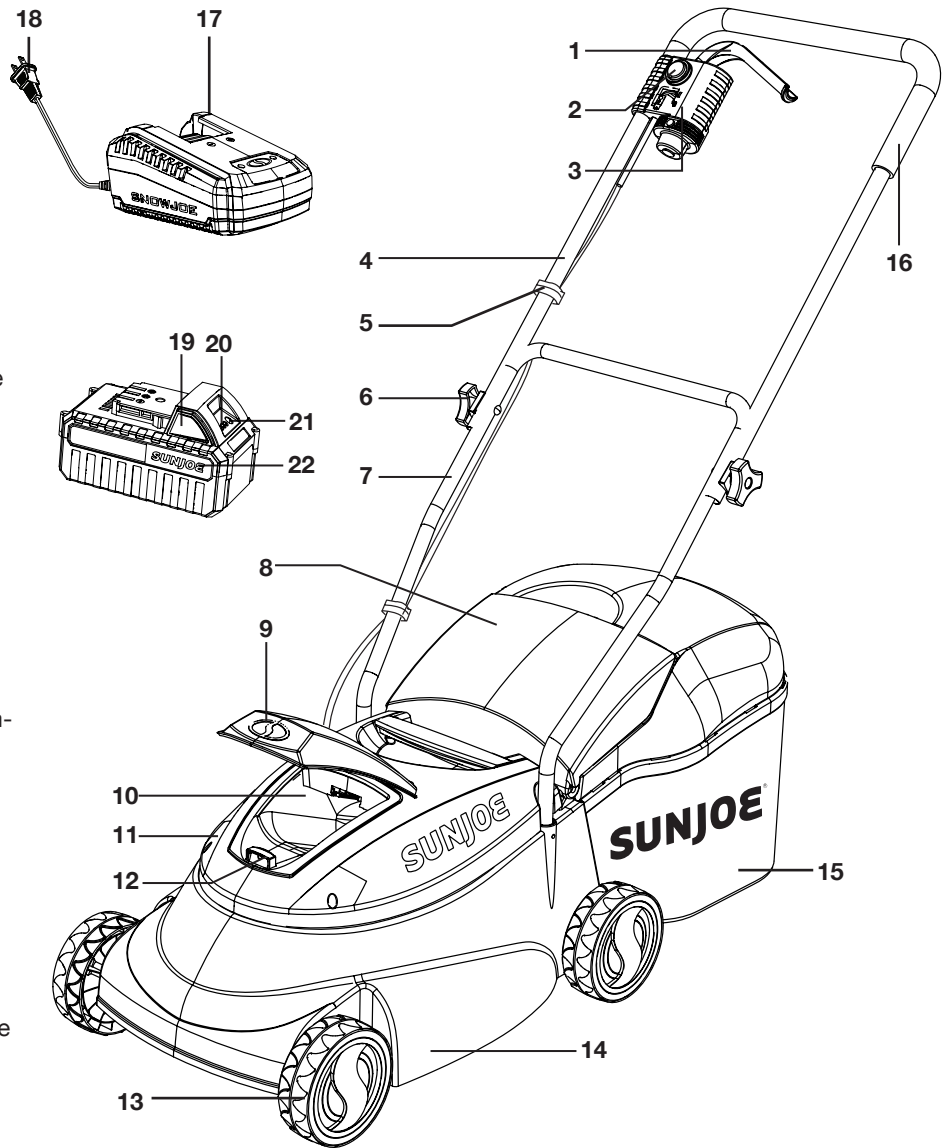
Le tableau suivant décrit et explique les symboles de sécurité pouvant être marqués sur cette machine. Avant de procéder à son assemblage et de l'utiliser, lisez, comprenez et suivez toutes les instructions sur cette machine.

Symboles	Descriptions	Symboles	Descriptions
	DANGER! Lames rotatives. Garder mains et pieds à distance.		Maintenir les spectateurs et les enfants à une distance de sécurité suffisante.
	Alerte de sécurité. Mise en garde. Pour réduire le risque de blessure, l'utilisateur doit lire le manuel d'utilisation.		Porter une protection oculaire et une protection de l'ouïe. Pour éviter de se blesser, porter des protecteurs d'oreilles et des lunettes de sécurité.
	AVERTISSEMENT! Ne pas utiliser la machine sous la pluie ou par forte humidité. Garder la machine au sec.		Porter des gants de protection et des chaussures antidérapantes pour utiliser la machine et manipuler les débris.
	Risque de glissade sur terrain pentu - Pour éviter toute glissade ou chute accidentelle, faire preuve d'une extrême prudence en tonnant sur des pentes.		Sectionnement des orteils ou des doigts par la lame rotative de la tondeuse.
	La projection d'objets et la lame rotative peuvent provoquer de graves blessures.		Maintenir les spectateurs à bonne distance de la zone de travail.
	Les lames continuent de tourner après avoir coupé le moteur de la machine.		AVERTISSEMENT! Toujours arrêter la machine et retirer la clé de sécurité avant toute inspection, tout nettoyage ou tout entretien.
	Lame rotative : tenir les mains et les pieds éloignés de l'ouverture quand la machine est en marche.		Regardez vers l'arrière quand vous utilisez la tondeuse à reculons.
	Utilisation uniquement à l'intérieur. Utiliser uniquement le chargeur de batterie à l'intérieur.		

Apprenez à mieux connaître votre tondeuse à gazon sans cordon

Avant d'utiliser la tondeuse, lisez attentivement le manuel d'utilisation et les consignes de sécurité. Comparez l'illustration ci-dessous avec votre tondeuse afin de vous familiariser avec l'emplacement des différents réglages et commandes. Conservez ce manuel pour pouvoir le consulter dans le futur.

1. Levier-interrupteur
2. Bouton-poussoir de sécurité
3. Boîtier d'interrupteurs
4. Cadre supérieur de guidon
5. Serre-câble (2)
6. Bouton, boulon et rondelle de cadre supérieur de guidon (2)
7. Cadre inférieur de guidon
8. Volet d'éjection
9. Couverture de compartiment à batterie
10. Compartiment à batterie
11. Couverture supérieur
12. Clé de sécurité
13. Roue (4)
14. Plateau de coupe
15. Sac à herbe
16. Partie rembourrée du guidon
17. Chargeur rapide de batterie au lithium-ion 24 V (24VCHRG-QC)
18. Fiche de chargeur
19. Bouton-poussoir de verrouillage
20. Témoin de charge de batterie
21. Bouton-poussoir pour témoin de charge de batterie
22. Batterie au lithium-ion 24 V iON+ (24VBAT-XR) présentant la technologie exclusive EcoSharp®



Données techniques

Moteur	Sans balais 600 W	Régime à vide	3 000 tr/min
Tension max. de batterie*	24 VCC	Largeur de coupe	35,6 cm
Capacité de la batterie	5,0 Ah	Hauteur de coupe	De 30 mm à 64 mm
Entrée du chargeur	120 VCA 60 Hz 75 W	Contenance du sac à herbe	40 l
Sortie du chargeur	26 VCC 2,2 A	Dimension des roues	14 cm
Temps max. de charge	2 h 20 min	Poids net	10,8 kg

*Tension initiale à vide; grimpe à 24 volts une fois à charge complète; la tension nominale sous charge typique est de 21,6 volts.

Déballage

Contenu de la caisse

- Tondeuse à gazon sans cordon
- Sac à herbe
- Tige-support de sac à herbe
- Cadre supérieur de guidon
- Bouton, boulon et rondelle de cadre supérieur de guidon (2)
- Cadre inférieur de guidon
- Vis de cadre inférieur de guidon (2)
- Grande clé de serrage
- Serre-câble (2)
- Batterie au lithium-ion 24 V iON+
- Chargeur rapide de batterie au lithium-ion 24 V iON+
- Manuel et carte d'enregistrement

1. Retirez soigneusement la tondeuse à gazon de la caisse et inspectez-la pour vérifier que tous les éléments énumérés ci-dessus sont fournis.
2. Inspectez soigneusement le contenu pour vous assurer qu'aucun élément ne s'est cassé ou n'a été endommagé pendant le transport.

REMARQUE : ne jetez pas la caisse d'expédition et l'emballage tant que vous n'êtes pas prêt à utiliser votre nouvelle tondeuse à gazon sans cordon. L'emballage est fabriqué dans des matériaux recyclables. Éliminez ces matériaux de façon appropriée et conformément aux réglementations locales.

IMPORTANT! Le produit et son emballage ne sont pas des jouets. Ne laissez pas les enfants jouer avec les sacs en plastique, les feuilles métalliques ou les petites pièces. Ces éléments peuvent être avalés et risquent de provoquer une suffocation!






Utilisation du bloc-piles

La machine est alimentée par une batterie au lithium-ion. Le bloc-piles est entièrement scellé et sans entretien.

Témoins de charge de batterie

Le bloc-piles est équipé d'un bouton-poussoir pour vérifier le niveau de charge. Appuyez simplement sur le bouton-poussoir pour lire le niveau de charge de la batterie à l'aide des témoins de charge :

- Les témoins de charge sont tous les trois allumés : le niveau de charge de batterie est élevé.
- Deux témoins de charge sont allumés : le niveau de charge de batterie diminue. Arrêtez votre travail dès que possible.
- Un témoin de charge est allumé : la batterie est épuisée. Arrêtez IMMÉDIATEMENT votre travail et chargez la batterie. Sinon, la durée de vie de la batterie sera considérablement raccourcie.

	
Témoins	Indications de charge
	Bouton de niveau de charge
	La batterie est à 30 % de sa capacité et nécessite d'être chargée
	La batterie est à 60 % de sa capacité et nécessite d'être chargée bientôt
	La batterie est à charge complète

REMARQUE : si le bouton de niveau de charge ne semble pas fonctionner, insérez le chargeur et chargez au besoin.

REMARQUE : immédiatement après avoir utilisé le bloc-piles, le bouton de niveau de charge peut afficher une charge plus faible que si la vérification avait eu lieu quelques minutes plus tard. Les cellules de la batterie « récupèrent » une partie de leur charge après une période de repos.

Utilisation du chargeur

⚠ AVERTISSEMENT! Charger uniquement des blocs-piles au lithium-ion 24 V iON+ dans les chargeurs de batterie au lithium-ion 24 V iON+ compatibles. Les autres types de batteries peuvent être à l'origine de dommages corporels et matériels. Pour réduire le risque d'électrocution, ne laissez pas d'eau couler dans la fiche du chargeur CA/CC.

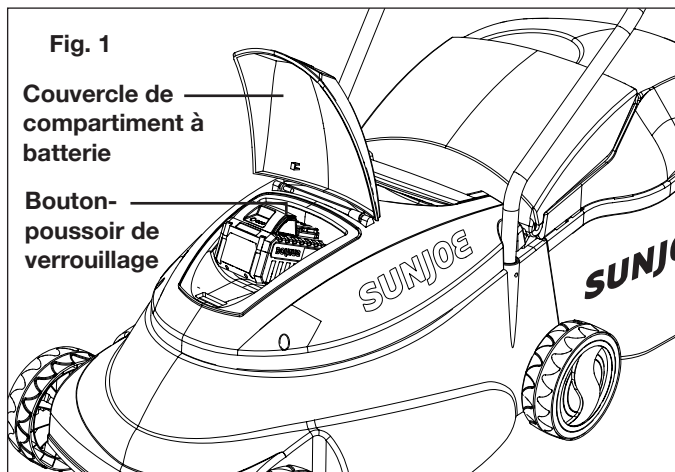
Quand charger la batterie au lithium-ion iON+ 24VBAT-XR

REMARQUE : les blocs-piles au lithium-ion iON+ 24VBAT-XR ne présentent pas « d'effet mémoire » quand ils sont chargés après une simple décharge partielle. C'est pourquoi il n'est pas nécessaire d'épuiser le bloc-piles avant d'insérer la fiche du chargeur.

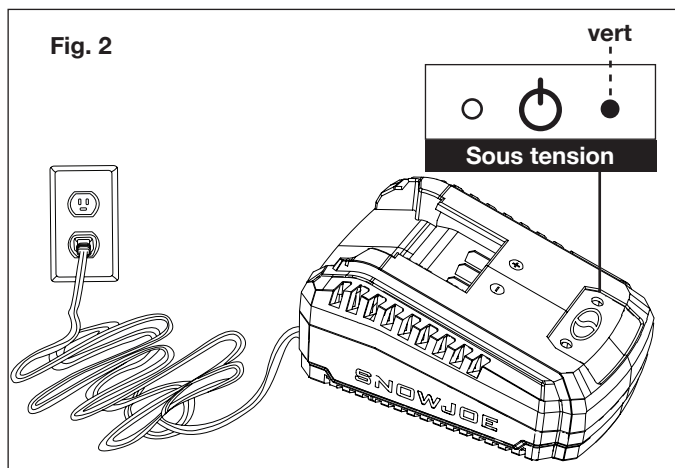
- Utilisez les témoins indicateurs de batterie pour déterminer quand charger votre bloc-piles au lithium-ion iON+24VBAT-XR.
- Vous pouvez « compléter » la charge du bloc-piles avant de démarrer un gros travail ou après une longue journée d'utilisation.

Comment charger la batterie

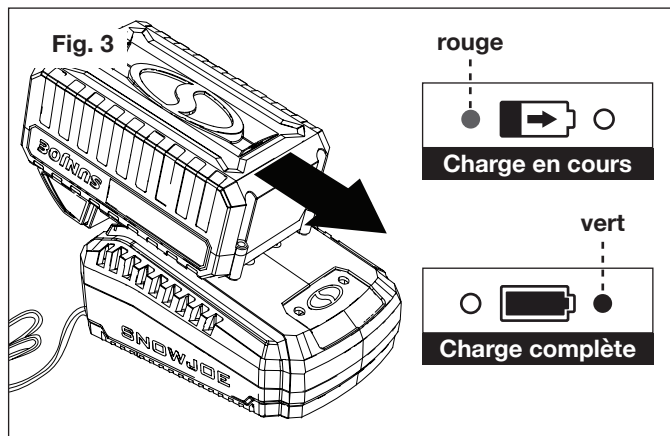
1. Pour retirer la batterie de son compartiment, ouvrez le couvercle du compartiment à batterie et appuyez sur le bouton-poussoir de verrouillage sur la batterie (Fig. 1).



2. Vérifiez que la tension de secteur est la même que celle marquée sur la plaque signalétique du chargeur de batterie. Branchez ensuite l'adaptateur de chargeur dans une prise de secteur appropriée (Fig. 2).



3. Pour mettre en place le bloc-piles et le verrouiller, placez-le dans le chargeur en le faisant glisser comme l'indique l'illustration. Lorsque vous insérez la batterie dans le chargeur, le voyant rouge en bas du chargeur s'allume pour indiquer la charge en cours de la batterie (Fig. 3).
4. Les témoins de charge de batterie scintilleront et s'allumeront un par un pendant le processus de charge. Lorsque les trois témoins de charge sont verts et le témoin vert du chargeur est allumé, la batterie est à charge complète. Débranchez immédiatement le chargeur (Fig. 3).



5. Il faut environ 2 h 20 min pour recharger la batterie. Le témoin indicateur de charge passe au vert quand la batterie est à charge complète; débranchez immédiatement le chargeur quand le témoin est vert.

⚠ MISE EN GARDE! RISQUE D'INCENDIE. S'assurer de débrancher d'abord le chargeur de la prise, puis débrancher le chargeur de la batterie.

⚠ AVERTISSEMENT! Ce chargeur ne s'éteint pas automatiquement quand la batterie est à charge complète. Veiller à ne pas laisser la batterie branchée dans le chargeur. Éteindre le chargeur ou le débrancher du secteur une fois que la batterie est à charge complète.

6. Recharger la batterie au moment opportun prolongera la durée de vie de la batterie. Vous devez recharger le bloc-piles quand vous remarquez une chute de puissance de la machine.

IMPORTANT! Ne laissez jamais le bloc-piles se décharger complètement, car ceci endommagerait irrémédiablement la batterie.

Assemblage

⚠ AVERTISSEMENT! Ne pas insérer la clé de sécurité tant que l'assemblage n'est pas terminé. Ne pas tenir compte de cet avertissement peut entraîner un démarrage accidentel et de graves blessures.

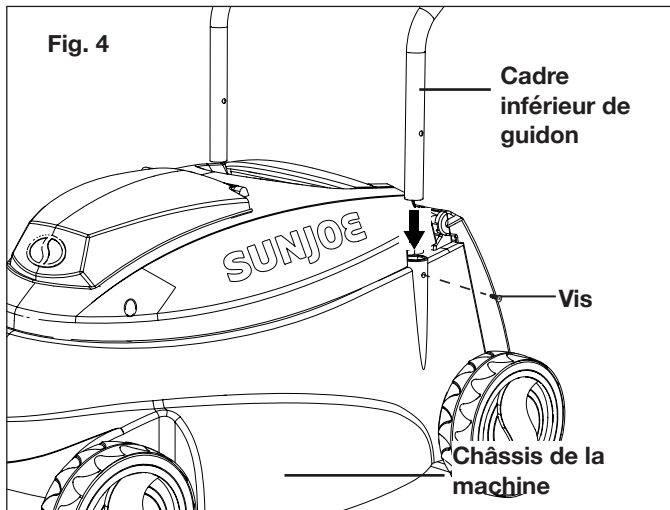
⚠ AVERTISSEMENT! Avant d'effectuer le moindre entretien, s'assurer que la clé est retirée de la machine. Toute personne ne tenant pas compte de cet avertissement s'expose à de graves blessures.

⚠ AVERTISSEMENT! La machine doit être complètement assemblée avant de pouvoir l'utiliser. Ne pas utiliser une machine qui n'est que partiellement assemblée ou assemblée avec des pièces endommagées.

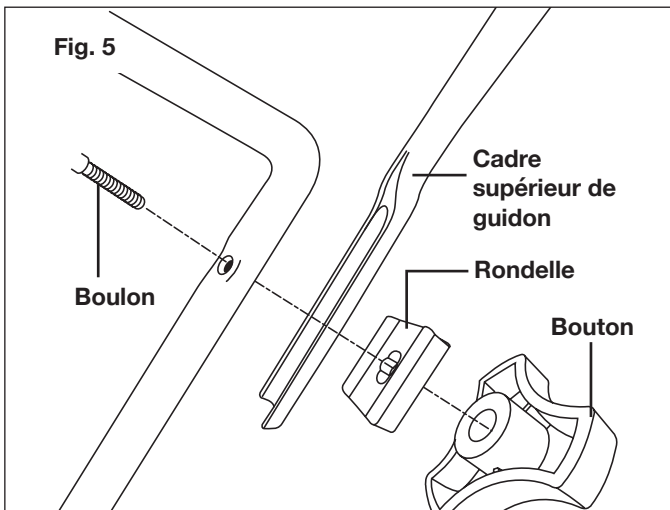
REMARQUE : avant d'utiliser la tondeuse, suivez ces instructions pour assembler le guidon et le sac à herbe.

Assemblage du guidon

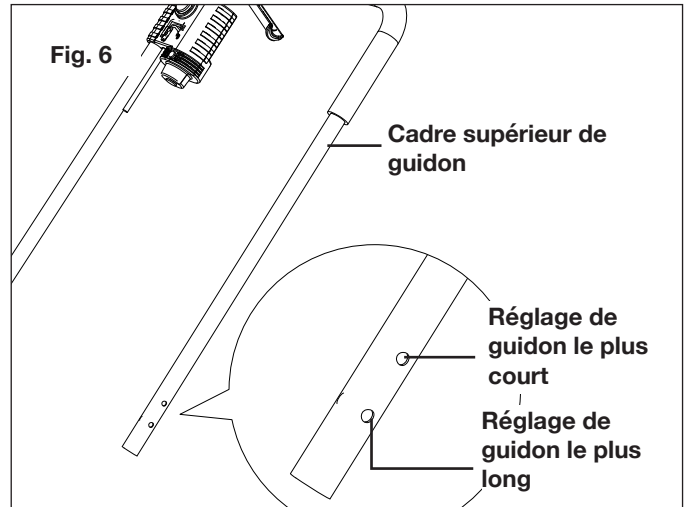
1. Enfoncez le cadre inférieur de guidon dans les deux trous du châssis de la machine et attachez le guidon des deux côtés à l'aide des vis fournies (Fig. 4).



2. Attachez le cadre supérieur de guidon au cadre inférieur de guidon à l'aide du bouton, de la rondelle et du boulon fournis (Fig. 5). Répétez l'opération de l'autre côté.



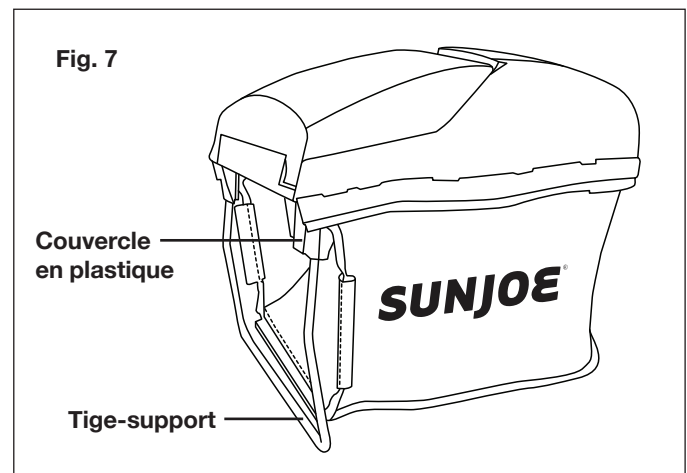
REMARQUE : deux trous sont pratiqués de chaque côté du cadre supérieur de guidon; toutefois, un seul trou est nécessaire de chaque côté pour l'attacher au cadre inférieur de guidon (Fig. 6). Choisissez simplement votre hauteur préférée et attachez les deux cadres comme l'indique la Fig. 2.



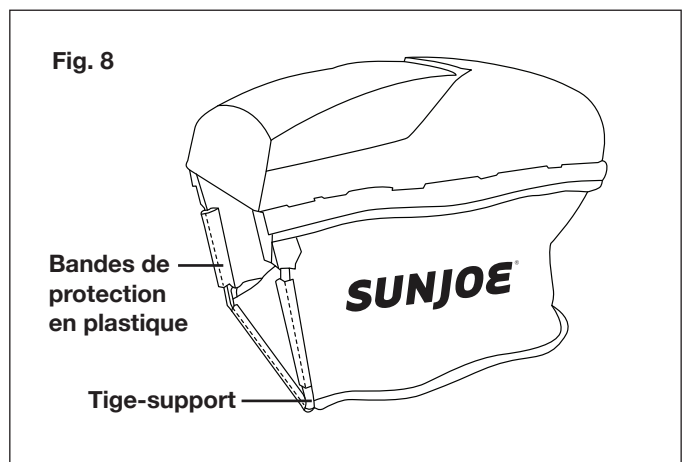
3. Attachez le cordon d'alimentation à la tondeuse à gazon à l'aide des serre-câbles.

Assemblage et pose du sac à herbe

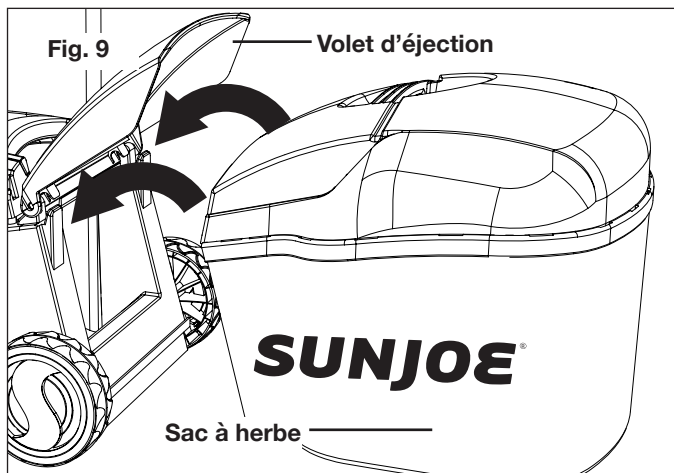
1. Faites rentrer la tige-support dans les trous du couvercle en plastique. La partie incurvée de la tige de support doit être tournée vers l'arrière de la machine (Fig. 7).



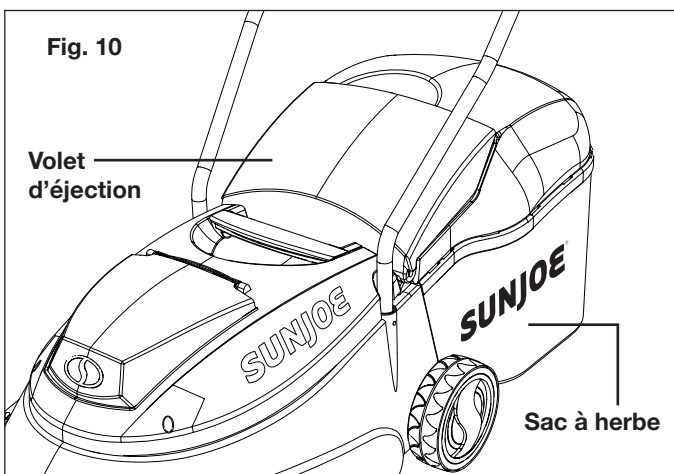
2. Attachez les bandes de protection en plastique sur la tige-support (Fig. 8).



3. D'une main, relevez le volet d'éjection. De l'autre, tenez le sac à herbe par la poignée et accrochez-le par le dessus (Fig. 9).



4. Relâchez le volet d'éjection pour que le sac à herbe reste attaché (Fig. 10).



Utilisation

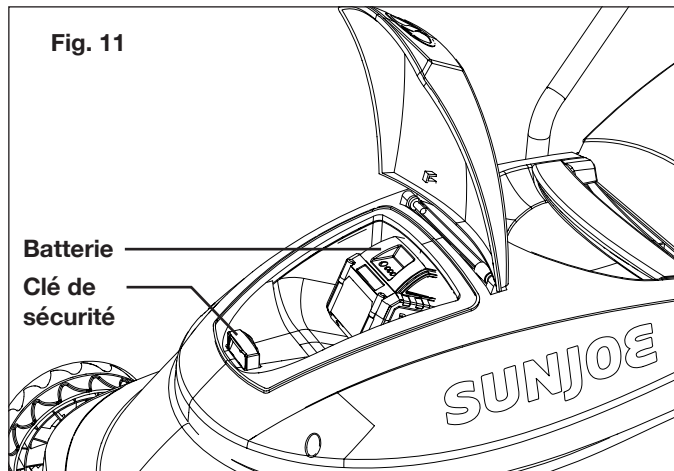
Cette tondeuse à gazon est destinée à un usage résidentiel privé consistant à tondre les pelouses de petite superficie dans les jardins. Cette tondeuse n'est pas adaptée pour tondre le gazon dans les parcs publics, les terrains de jeu, les fermes ou les forêts. N'utilisez pas cette tondeuse à gazon pour un travail autre que celui auquel elle est destinée.

Démarrage et arrêt

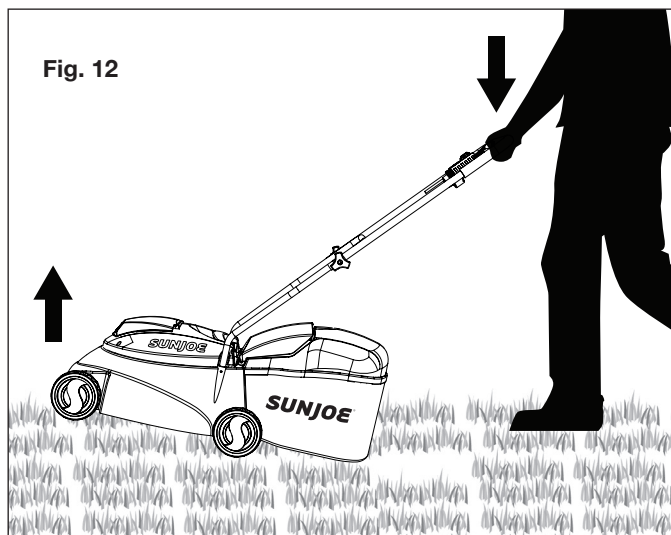
⚠️ AVERTISSEMENT! Avant de démarrer la tondeuse, vérifiez qu'elle n'est en contact avec aucun corps étranger. Maintenir les pieds et les mains à bonne distance de la lame rotative de la tondeuse et de l'ouverture d'éjection. Toute personne ne tenant pas compte de ces avertissements peut se blesser gravement.

IMPORTANT : ne démarrez pas la tondeuse dans de l'herbe haute.

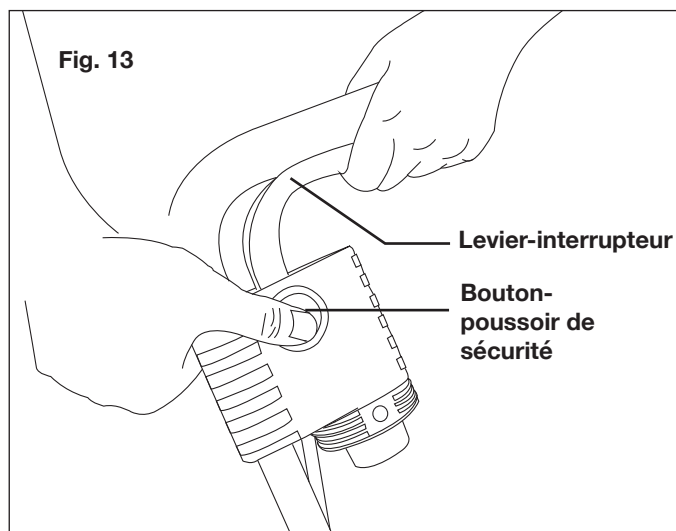
1. Avant de démarrer la machine, assurez-vous que la batterie et la clé de sécurité sont insérées dans leur logement respectif (Fig. 11).



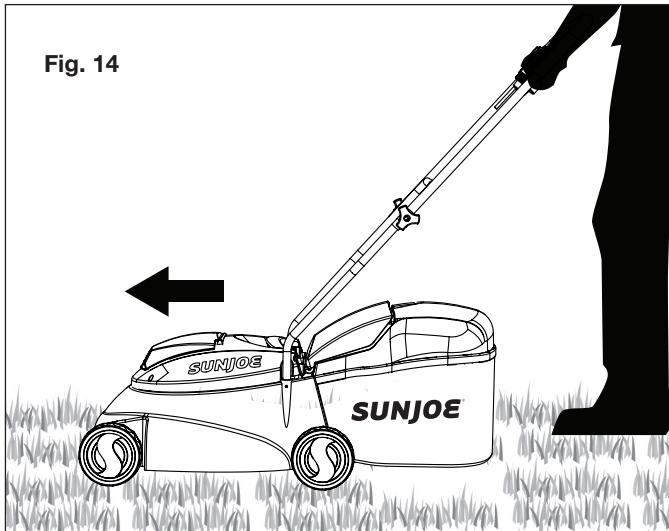
2. Avant de démarrer la tondeuse à gazon, tenez le guidon des deux mains et inclinez-le vers le bas pour lever légèrement l'avant de la machine. Vous réduirez ainsi le risque d'endommager la pelouse au démarrage (Fig. 12).



3. Pour démarrer la tondeuse à gazon sans cordon, appuyez sur le bouton-poussoir de sécurité tout en tirant le levier-interrupteur vers vous (Fig. 13).



- Une fois que la machine tourne, relâchez le bouton-poussoir de sécurité et abaissez doucement l'avant de la tondeuse pour commencer à tondre (Fig. 14).



- Pour arrêter la tondeuse, relâchez le levier-interrupteur.

⚠️ AVERTISSEMENT! La lame de la tondeuse continue à tourner pendant un bref instant une fois que le moteur de la machine a été coupé. Ne pas incliner ou transporter la machine quand le moteur tourne encore et ne pas toucher la lame pendant qu'elle est encore en rotation. Toute personne ne tenant pas compte de cet avertissement s'expose à de graves blessures.

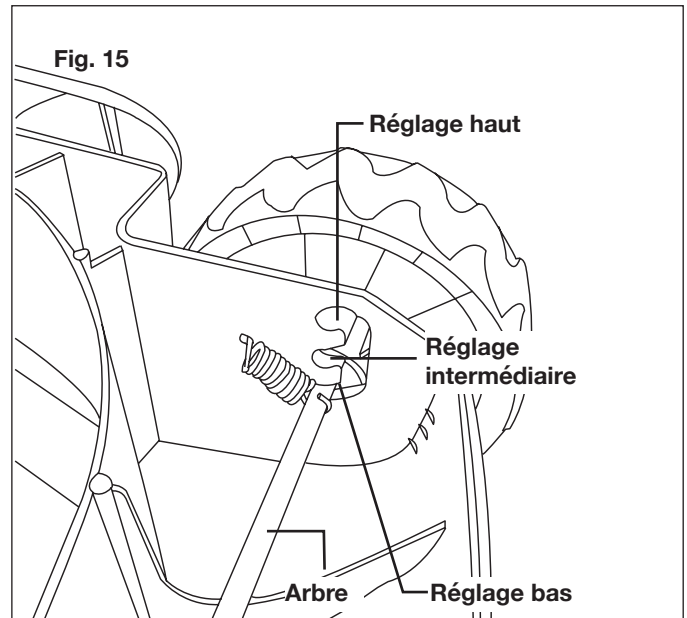
Réglage de la hauteur de coupe

Suivez ces instructions pour régler la hauteur de coupe de la tondeuse à gazon.

⚠️ AVERTISSEMENT! Avant de procéder à ces réglages, désactiver l'alimentation électrique de la tondeuse en retirant la clé de sécurité et attendre que la lame rotative se soit complètement arrêtée. En raison de la présence toute proche de la lame, il est recommandé de porter des gants.

TOUJOURS SUIVRE LES MESURES DE SÉCURITÉ ET LES RECOMMANDATIONS ÉNUMÉRÉES PRÉCÉDEMMENT DANS CE MANUEL.

- Arrêtez la machine et retirez la clé de sécurité de la fente.
- Retirez et videz le sac à herbe.
- Placez la tondeuse à gazon sur son flanc.



- Les arbres de roue peuvent se régler à trois hauteurs de coupe différentes : bas (pour couper l'herbe au ras), intermédiaire et haut (Fig. 15).

Les trois positions du réglage de la hauteur de coupe :

- Bas : 30 mm
- Intermédiaire : 49 mm
- Haut : 64 mm

La tolérance de hauteur de coupe est de ± 5 mm.

- Réglez les quatre roues sur la hauteur de coupe voulue en tirant sur l'arbre et en le plaçant sur l'une des trois positions. Vérifiez que les quatre roues sont toutes sur la même position de hauteur de coupe.

REMARQUE : si vous tondez sur un terrain accidenté ou plein de mauvaises herbes hautes, réglez la tondeuse sur la hauteur de coupe la plus haute.

- Remettez la tondeuse à gazon sur ses roues et attachez à nouveau le sac à herbe.
- Insérez la clé de sécurité dans la fente et reprenez la tonte.

Conseils pour la tonte

⚠️ AVERTISSEMENT! Inspecter le terrain avant de le tondre et retirer toutes les pierres, bâtons, fils et tout ce qui peut être ramassé et projeté en l'air par la lame rotative. Si vous ne tenez pas compte de cet avertissement, la lame sera endommagée et de graves blessures corporelles sont à redouter.

- Assurez-vous d'inspecter périodiquement la lame de tonte pour vérifier si elle présente des signes d'usure et affutez-la au moins une fois par an comme cela est décrit dans la section sur l'entretien.

REMARQUE : une lame affûtée améliorera nettement le rendement de la tondeuse, spécialement quand il faut couper des herbes hautes.

- Quand vous tondez de l'herbe épaisse, réduisez votre vitesse de progression pour vous permettre de tondre plus efficacement et rejeter de façon appropriée l'herbe coupée. Pour obtenir une pelouse saine, coupez toujours un tiers ou moins de la hauteur totale de l'herbe. La hauteur moyenne de l'herbe d'une pelouse doit se situer approximativement entre 3,8 et 5 cm pendant la saison froide et être supérieure à 5 cm pendant la saison chaude. S'il y a repousse, la pelouse doit être tondue à l'automne.
- La pelouse aura un meilleur aspect si elle est toujours coupée à la même hauteur et en croisant les directions.
- Quand vous traversez un revêtement de gravier, relâchez le levier-interrupteur pour couper le moteur de la tondeuse. Des pierres peuvent être ramassées et projetées par la lame rotative.
- Réglez la tondeuse sur la hauteur de coupe maximale quand vous tondez un terrain accidenté ou de mauvaises herbes hautes.
- Après chaque tonte, retirez l'herbe coupée et les débris qui se sont accumulés à l'aide d'un chiffon sec ou d'une brosse à main. Vous pouvez également nettoyer le matériel à l'aide d'un chiffon humide et d'un savon doux et non abrasif. N'utilisez ni agents nettoyants ni solvants corrosifs, car ils peuvent endommager les pièces en plastique de la machine. Assurez-vous qu'il n'y ait pas d'eau qui pénètre à l'intérieur de la machine et qui puisse détruire l'interrupteur et le moteur électrique.
- Ne nettoyez pas la tondeuse à gazon à l'eau courante et bien évidemment pas à l'eau à haute pression.
- Avant chaque utilisation, vérifiez que tous les écrous, boulons et vis sont correctement serrés.
- Inspectez fréquemment l'ensemble sac à herbe pour déceler la présence éventuelle de signes d'usure et remplacez immédiatement toute pièce endommagée par une pièce d'origine.
- Remplacez immédiatement les composants excessivement usés ou endommagés.
- Pour prolonger au maximum la durée de vie de votre tondeuse, toutes les pièces vissées, y compris les roues et les arbres, doivent être nettoyées et lubrifiées. Il n'y a aucune pièce à l'intérieur de la machine qui nécessite un entretien ou une lubrification supplémentaire.

⚠ AVERTISSEMENT! Si la tondeuse heurte quoi que ce soit, arrêter le moteur et retirer la clé de sécurité. Inspecter soigneusement la tondeuse et réparer tout dommage avant de reprendre le travail.

- **IMPORTANT!** N'ouvrez jamais le volet d'éjection lorsque le sac à herbe a été détaché (pour être vidé) et lorsque le moteur tourne toujours. La lame rotative peut provoquer de graves blessures!
- Attachez toujours soigneusement le volet d'éjection et le sac à herbe. Coupez le moteur avant de vider le sac à herbe. Assurez-vous toujours qu'une distance de sécurité suffisante (fournie par la longueur du cadre du guidon) est maintenue entre l'utilisateur et le caisson de la tondeuse. Soyez particulièrement vigilant quand vous tondez et changez de direction sur une pente ou un plan incliné.
- Gardez toujours un bon équilibre et portez des chaussures robustes et antidérapantes ainsi que des pantalons longs. Tondez toujours en travers de la pente (et non en descendant et en montant).
- Pour des raisons de sécurité, la tondeuse à gazon ne peut pas être utilisée pour tondre sur les plans inclinés dont la pente est supérieure à 15 degrés.
- Faites preuve de précautions particulières quand vous reculez et quand vous tirez la tondeuse à gazon vers vous, car ce type de manœuvre risque de vous faire trébucher.

Soin et entretien

⚠ AVERTISSEMENT! Avant de nettoyer, réparer ou inspecter la tondeuse, désactiver l'alimentation électrique de la tondeuse en retirant la clé de sécurité et vérifier que toutes les pièces mobiles sont à l'arrêt complet.

Généralités

- Veillez à ce que la tondeuse soit toujours propre et qu'il n'y ait ni herbe, saleté ou autres débris accumulés dessus.
- Maintenez le guidon sec, propre et exempt d'huile et de graisse.

Entretien des lames

IMPORTANT : la lame de tondeuse est acérée et peut provoquer de graves blessures si elle est manipulée de façon inappropriée. Envelopper la lame ou porter des gants de protection et faire preuve d'une extrême prudence en la manipulant.

La lame d'acier est conçue pour que la coupe de l'herbe haute ou drue soit franche. La détérioration de la qualité de tonte indique que la lame est usée ou endommagée. Suivez ces étapes pour déterminer si la lame nécessite d'être réaffûtée ou remplacée :

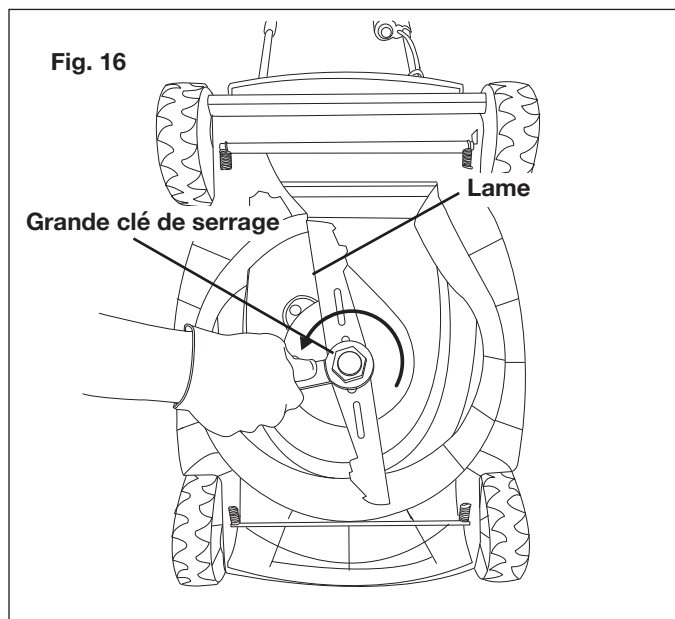
1. Désactivez l'alimentation électrique de la tondeuse en retirant la clé de sécurité.
2. Retournez la tondeuse sur son flanc pour pouvoir accéder au dessous du carter de lame.
3. Vérifiez la lame.
 - a. Si la lame est émoussée ou présente une usure mineure, réaffûtez-la.
 - b. Si la lame présente des signes d'usure majeure ou est gravement endommagée (c.-à-d., entaillée, recourbée), remplacez-la.

⚠ AVERTISSEMENT! Si la tondeuse vibre de manière excessive, cela veut dire que la lame n'est pas bien équilibrée ou qu'elle s'est déformée en heurtant quelque chose. Dans ce cas, la lame doit être réparée ou remplacée. Veuillez suivre les procédures d'entretien appropriées pour les lames.

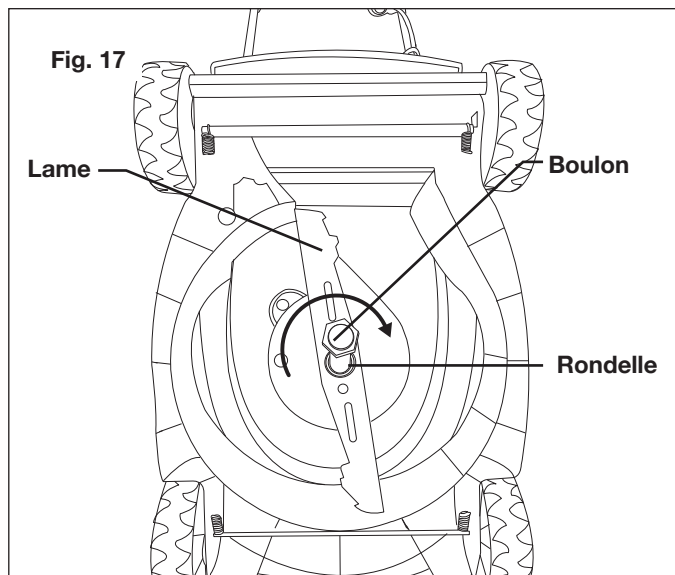
Changement des lames

IMPORTANT : utilisez uniquement les pièces de rechange spécifiées pour cette tondeuse. L'utilisation de pièces qui ne répondent pas aux spécifications de la machine d'origine peut être la cause d'un rendement anormal de la tondeuse à gazon et peut compromettre la sécurité de l'utilisateur.

1. Retirez la clé de sécurité de la tondeuse.
2. Retournez la tondeuse sur son flanc pour pouvoir accéder au dessous du carter de lame.
3. Pour saisir la lame, utiliser un chiffon ou porter des gants résistants.
4. À l'aide de la grande clé de serrage fournie, retirez le boulon et la rondelle attachant la lame en tournant le boulon dans le sens contraire des aiguilles d'une montre, puis retirez avec précautions la lame (Fig. 16).



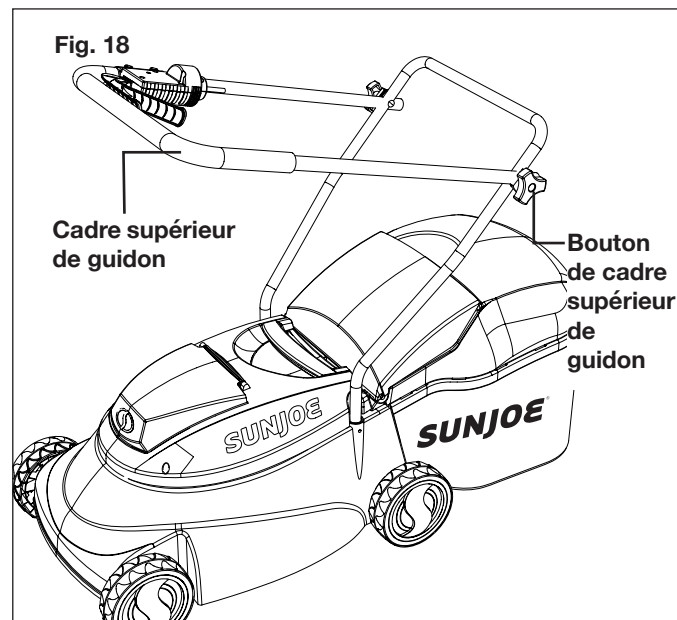
5. Remontez la lame neuve, la rondelle et le boulon en suivant en ordre inverse les mêmes étapes (Fig. 17).



Rangement

Suivez les étapes ci-dessous pour préparer la tondeuse à gazon avant son remisage :

1. Retirez la clé de sécurité de la fente.
2. Nettoyez la tondeuse à l'aide d'un chiffon mouillé ou d'une brosse à main.
3. Inspectez soigneusement la tondeuse pour déceler la présence éventuelle de pièces usées, desserrées ou endommagées. Vérifiez les raccords et les vis et resserrez au besoin. Prenez particulièrement soin de la lame de la tondeuse et remplacez-la ou réaffutez-la si elle présente des signes d'usure. Reportez-vous à la section Soins et entretien.
4. Remisez la tondeuse à l'intérieur dans un endroit sec, propre, frais et hors de portée des enfants. Ne remisez pas la machine à proximité de matériaux corrosifs, par exemple de l'engrais ou du chlorure de sodium.
5. Ne recouvrez pas la tondeuse à gazon d'une bâche en plastique. Les couvertures en plastique retiennent l'humidité autour de la machine, ce qui peut l'endommager.
6. Le guidon de votre tondeuse à gazon peut se replier complètement pour économiser de l'espace. Commencez par desserrer les boutons de poignée de chaque côté de la partie supérieure du guidon et repliez la partie supérieure du guidon (Fig. 18).



Élimination

Recyclage et élimination

La machine est livrée dans un emballage qui l'empêche d'être endommagée pendant son expédition. Conservez l'emballage jusqu'à ce que vous soyez sûr que toutes les pièces ont été expédiées et que la machine fonctionne correctement. Ensuite, recyclez l'emballage ou conservez-le pour le remisage de longue durée.



Symbole DEEE. Les déchets d'équipements électriques ne doivent pas être jetés avec les déchets ménagers. Veuillez les recycler dans les installations prévues à cet effet. Pour les réglementations de recyclage, communiquez avec les services publics locaux ou avec votre revendeur.

Mise en garde concernant les batteries et informations sur leur élimination

Éliminez toujours les blocs-piles en vous conformant aux réglementations fédérales, provinciales ou territoriales et locales. Communiquez avec un organisme de recyclage de votre région pour obtenir la liste des sites de recyclage.

⚠ MISE EN GARDE! Même déchargé, un bloc-piles emmagasine une certaine énergie. Avant de l'éliminer, utiliser du ruban isolant pour couvrir les bornes et empêcher ainsi le bloc-piles de provoquer un court-circuit, ce qui pourrait causer un incendie ou une explosion.

⚠ AVERTISSEMENT! Pour réduire le risque de blessure ou d'explosion, ne jamais brûler ou incinérer un bloc-piles, même s'il est endommagé, mort ou complètement déchargé. En brûlant, des vapeurs et des matières toxiques sont émises dans l'atmosphère environnante.

1. Les batteries varient selon le type d'outils ou de machines. Consulter le manuel pour des renseignements spécifiques.
2. Le cas échéant, insérer uniquement des batteries neuves de même type dans l'outil ou la machine.
3. Si, en l'insérant, la polarité de la batterie n'est pas respectée, comme indiqué dans le compartiment à batterie ou dans le manuel, sa durée de vie pourrait être réduite ou elle pourrait fuir.
4. Ne pas mélanger des batteries anciennes et des neuves.
5. Ne pas mélanger des batteries alcalines, standard (carbène/zinc) ou rechargeables (au nickel-cadmium, au nickel-métal-hydrure ou au lithium-ion).
6. Ne jeter aucune batterie au feu.

7. Les batteries doivent être recyclées ou éliminées en observant les directives provinciales ou territoriales et locales.

Entretien, réparations et assistance technique

Si votre tondeuse à gazon sans cordon Sun Joe® MJ24C-14-XR nécessite une intervention technique ou un entretien, veuillez appeler le 1-866-SNOWJOE (1-866-766-9563) pour de l'aide.

Numéros de modèle et de série

Lorsque vous communiquez avec l'entreprise pour commander des pièces, vous devez fournir les numéros de modèle et de série de votre machine. Ceux-ci se trouvent sur l'étiquette autocollante apposée sur le caisson ou le guidon de votre tondeuse. Copiez ces numéros dans l'espace réservé ci-dessous.

Veuillez noter les numéros suivants sur le caisson ou le guidon de votre nouvelle machine :

N° de modèle :

M | J | 2 | 4 | C | - | 1 | 4 | - | X | R | | | | | | | | | | | | | |

N° de série :

| | | | | | | | | | | | | | | | | | | | | | | | | | | | | | |

24VCHRG-QC

FCC (Commission fédérale des communications)

⚠️ AVERTISSEMENT! Toute modification ou tout changement apporté à cet appareil et non approuvé par la partie à qui incombe la responsabilité de sa conformité pourrait annuler l'autorisation de l'utiliser.

Appareil de Classe B :

REMARQUE : ce matériel a été testé et il a été constaté qu'il est conforme aux limites des appareils numériques de Classe B, conformément à la Partie 15 des Règles de la FCC.

Ces limites sont conçues pour fournir une protection raisonnable contre le brouillage préjudiciable dans une installation résidentielle.

Ce matériel génère, utilise et peut rayonner une énergie de fréquence radio et, s'il n'est pas installé et utilisé conformément aux instructions, peut être à l'origine d'un brouillage préjudiciable aux communications radio.

Toutefois, il n'est pas exclu que le brouillage affecte une installation particulière.

Si cet appareil est à l'origine de brouillage préjudiciable à la réception radio et télévision, ce qui peut être déterminé en éteignant et en allumant l'appareil, l'utilisateur est invité à supprimer le brouillage en prenant une ou plusieurs des mesures suivantes :

- Réorienter ou repositionner l'antenne de réception.
- Augmenter la distance entre l'appareil et le récepteur.
- Brancher l'appareil dans la sortie d'un circuit différent de celui dans lequel le récepteur est branché.
- Pour de l'aide, consulter le revendeur ou un technicien radio/télévision qualifié.

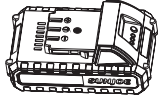
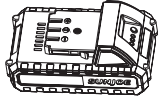



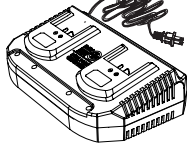
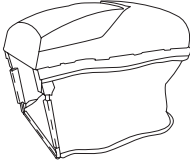
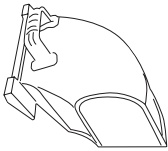
Dépannage

- Retirez la clé de sécurité avant d'effectuer un entretien ou quand vous voulez vérifier que ses pièces sont en bon ordre de marche.
- Pour éviter des ennuis inutiles, pour tous les problèmes mécaniques, consultez le tableau suivant avant de communiquer avec un réparateur qualifié.

Problème	Cause possible	Solution
La tondeuse ne réussit pas à démarrer	<ul style="list-style-type: none"> a) La clé de sécurité n'est pas insérée. b) La commande du moteur ou de la lame est débrayée. c) la batterie est à plat. d) Le plateau de coupe est bloqué par de l'herbe ou des débris. e) L'herbe est trop haute. 	<ul style="list-style-type: none"> a) Insérez la clé de sécurité. b) Appuyez d'abord sur le bouton-poussoir de sécurité, puis sur le levier-interrupteur. c) Chargez la batterie. d) Nettoyez le plateau de coupe. Assurez-vous que la lame tourne librement. e) Réglez la tondeuse sur une hauteur de coupe haute. Levez légèrement les roues en appuyant sur le guidon vers le bas.
La tondeuse s'arrête pendant la tonte	<ul style="list-style-type: none"> a) la batterie est à plat. b) L'herbe est trop haute. c) Le plateau de coupe est bloqué par de l'herbe ou des débris. d) La machine est en surcharge et le système de protection contre les surcharges a coupé le moteur. 	<ul style="list-style-type: none"> a) Chargez la batterie. b) Corrigez la hauteur de coupe. c) Nettoyez le plateau de coupe. Assurez-vous que la lame tourne librement. d) Laissez refroidir la machine pendant 5 minutes. Patientez jusqu'à ce que la protection contre les surcharges laisse redémarrer la machine.
La tondeuse ne peut pas couper l'herbe régulièrement	<ul style="list-style-type: none"> a) Le terrain de la pelouse est accidenté ou plein de mauvaises herbes. b) La lame n'est pas assez affûtée. 	<ul style="list-style-type: none"> a) Réglez la hauteur de coupe. b) Affutez ou remplacez la lame.
La tondeuse ne peut pas tondre correctement	<ul style="list-style-type: none"> a) Le plateau de coupe est bloqué par de l'herbe ou des débris. b) L'herbe est trop humide. c) L'herbe est trop haute. d) La lame n'est pas assez affûtée. 	<ul style="list-style-type: none"> a) Nettoyez le plateau de coupe. Assurez-vous que la lame tourne librement. b) Attendez que l'herbe soit sèche. c) Réglez la hauteur de coupe sur la position haute pour tondre la première fois et repassez la tondeuse après l'avoir réglée à la hauteur de coupe voulue. d) Affutez ou remplacez la lame.
La tondeuse est difficile à pousser	<ul style="list-style-type: none"> a) L'herbe est trop haute pour la couper. b) La lame ou l'arrière de la tondeuse est retenu par de l'herbe haute. 	<ul style="list-style-type: none"> a) Réglez plus haut la hauteur de coupe.
La tondeuse vibre à vitesse élevée	<ul style="list-style-type: none"> a) L'arbre du moteur est voilé. b) La lame n'est pas équilibrée. c) L'écrou de la lame est desserré. 	<ul style="list-style-type: none"> a) Arrêtez le moteur, retirez la clé de sécurité et vérifiez si la machine est endommagée. Communiquez avec un réparateur qualifié. b) Équilibrez la lame en meulant chaque tranchant également ou remplacez la lame par une nouvelle. c) Serrez le boulon de lame.

Accessoires en option

⚠️ AVERTISSEMENT! TOUJOURS utiliser des pièces de rechange et des accessoires Snow Joe® + Sun Joe® homologués. NE JAMAIS utiliser des pièces de rechange ou des accessoires qui ne sont pas destinés à être utilisés avec cette machine. Communiquez avec Snow Joe® + Sun Joe® si vous n'êtes pas sûr que l'utilisation d'une pièce de rechange ou d'un accessoire particulier avec votre machine soit sans danger. L'utilisation de tout autre accessoire ou de toute autre pièce détachée peut être dangereuse et pourrait provoquer des dommages corporels ou mécaniques.

Accessoires	Description	Modèle
	Batterie au lithium-ion 2,0 Ah 24 V iON+	24VBAT-LTE
	Batterie au lithium-ion 2,5 Ah 24 V iON+	24VBAT-LT
	Batterie au lithium-ion 4,0 Ah 24 V iON+	24VBAT
	Batterie au lithium-ion 5,0 Ah 24 V iON+	24VBAT-XR
	Chargeur rapide de batterie au lithium-ion 24 V	24VCHRG-QC
	Double chargeur de batterie au lithium-ion 24 V iON+	24VCHRG-DPC
	Sac à herbe de 40 l	MJ401E-10
	Accessoire d'éjection latérale pour tondeuse à gazon	MJ401E-DCA

REMARQUE : les accessoires sont sous réserve de changements sans que Snow Joe® + Sun Joe® soit pour autant tenue de donner un préavis desdits changements. Les accessoires peuvent être commandés en ligne sur le site sunjoe.com ou par téléphone en appelant le service clientèle Snow Joe® + Sun Joe® au 1-866-SNOWJOE (1-866-766-9563).



LA PROMESSE DE SNOW JOE® + SUN JOE® À SES CLIENTS

Vous êtes notre client et Snow Joe, LLC (« Snow Joe ») **SE MET EN QUATRE** pour vous servir. Nous nous efforçons de vous rendre l'utilisation de nos produits aussi plaisante que possible. Malheureusement, il peut arriver qu'un produit Snow Joe®, Sun Joe® ou Aqua Joe (« Produit ») ne fonctionne pas ou se casse dans des conditions d'utilisation normales. Nous pensons qu'il est important que vous sachiez ce que vous pouvez attendre de nous. C'est pourquoi nous avons une garantie limitée (« Garantie ») pour nos Produits.

NOTRE GARANTIE :

Snow Joe déclare et garantit que les Produits neufs, d'origine, électriques ou non électriques sont exempts de vices de matière ou de fabrication et, lorsqu'ils font l'objet d'une utilisation résidentielle et ménagère ordinaire, les garantit pendant une période de deux ans à compter de la date d'achat au détail par l'acheteur primitif auprès de Snow Joe ou d'un des revendeurs agréés de Snow Joe, preuve d'achat à l'appui. Étant donné que Snow Joe ne peut pas contrôler la qualité de ses Produits vendus par des revendeurs non agréés, sauf stipulation contraire de la loi, la présente Garantie ne couvre pas les Produits achetés auprès de vendeurs non agréés. Si votre Produit ne fonctionne pas ou si une pièce spécifique couverte par les modalités de la présente Garantie fait l'objet d'un problème quelconque, Snow Joe choisira (1) de vous envoyer une pièce de rechange gratuite, (2) de remplacer le Produit par un produit neuf ou comparable, gratuitement, ou (3) de réparer le Produit. Génial, n'est-ce pas?

La présente Garantie vous donne des droits judiciaires spécifiques, et vous pouvez également avoir d'autres droits qui peuvent varier d'une province ou d'un territoire à l'autre.

ENREGISTREMENT DU PRODUIT :

Snow Joe vous recommande vivement d'enregistrer votre Produit. Vous pouvez l'enregistrer en ligne sur le site snowjoe.com/register, ou en imprimant et en envoyant par courrier une carte d'enregistrement offerte en ligne sur notre site Web, ou par téléphone en appelant notre Service à la clientèle au **1-866-SNOWJOE (1-866-766-9563)**, ou encore en nous envoyant un courriel à l'adresse help@snowjoe.com. Le fait de ne pas enregistrer l'achat de votre Produit n'a aucune conséquence sur vos droits concernant la garantie. Toutefois, l'enregistrement de votre Produit permettra à Snow Joe de mieux répondre au moindre besoin que vous pourriez avoir en matière de service à la clientèle.

QUI PEUT REVENDIQUER LA COUVERTURE DE LA GARANTIE?

La présente Garantie est étendue par Snow Joe à l'acheteur et propriétaire primitif du Produit.

QU'EST-CE QUI N'EST PAS COUVERT?

La présente Garantie ne s'applique pas si le Produit a été utilisé commercialement, pour des travaux non résidentiels ou s'il fait l'objet d'une location. La présente Garantie ne s'applique pas non plus si le Produit a été acheté auprès d'un revendeur non agréé. La présente garantie ne couvre pas non plus les changements cosmétiques qui n'affectent pas le rendement. Les pièces d'usure comme les courroies, les tarières, les chaînes et les dents ne sont pas couvertes au titre de la présente Garantie et peuvent être achetées en ligne sur le site snowjoe.com ou en appelant le **1-866-SNOWJOE (1-866-766-9563)**.





sunjoe.com