



OPERATOR'S MANUAL

A Division of Snow Joe®, LLC

TELESCOPING SNOW SHOVEL ROOF RAKE

21 FT

Model RJ205M-RM

Form No. SJ-RJ205M-RM-880E-V1

THANKS FOR YOUR PURCHASE OF A REMANUFACTURED PRODUCT.

To make sure you get the most out of your product, be sure to register online at

snowjoe.com

to enjoy full product support.

PASTE UPC LABEL HERE



TELESCOPING SNOW SHOVEL ROOF RAKE

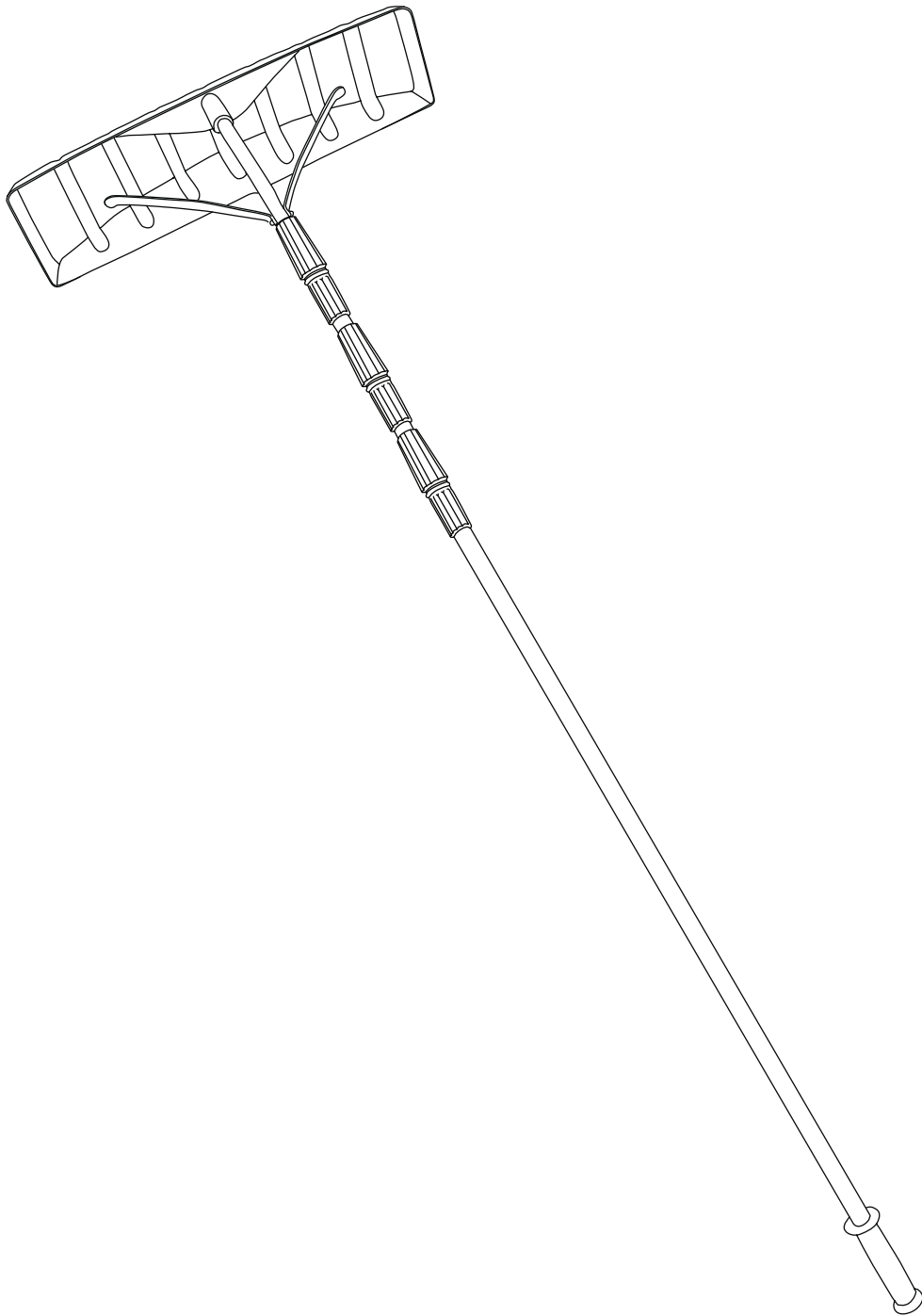
OPERATOR'S MANUAL

21 FT

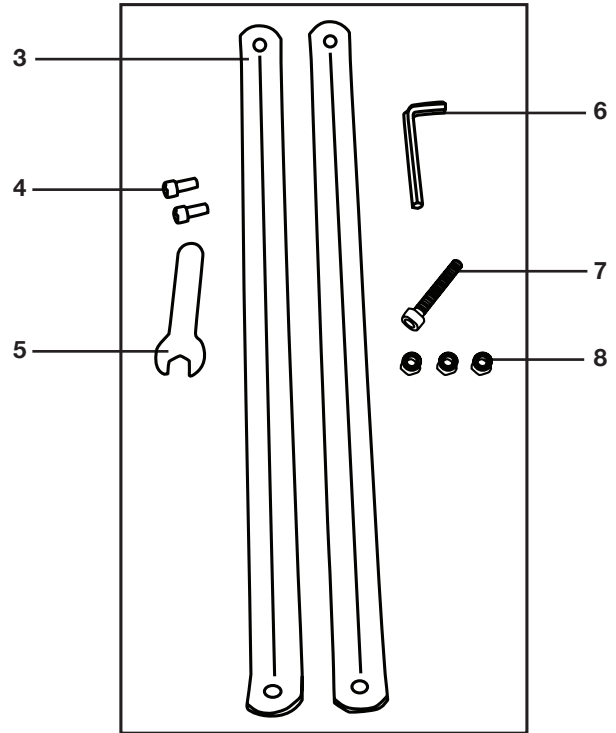
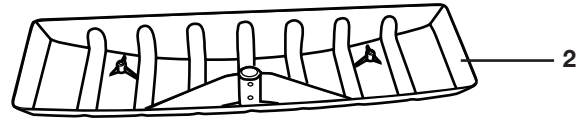
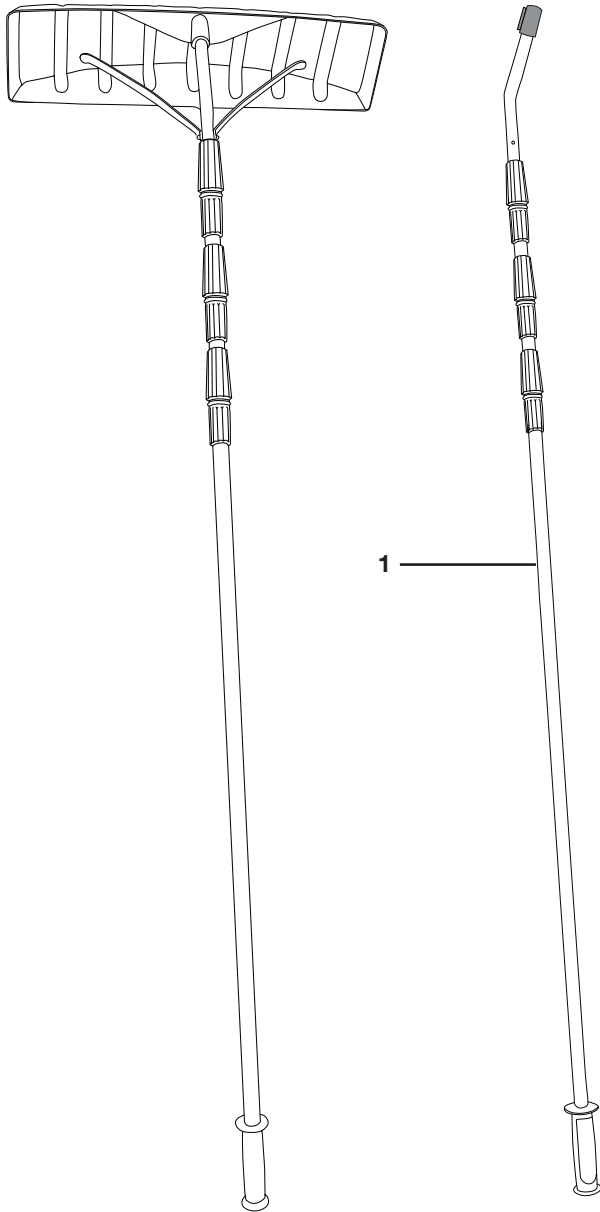
A Division of Snow Joe®, LLC

Model RJ205M-RM

Form No. SJ-RJ205M-RM-880E-V1



Know Your Roof Rake



- 1. Handle
- 2. Roof rake head
- 3. Metal braces (2)
- 4. Short hex screws (2)
- 5. Open end wrench
- 6. Hex key wrench
- 7. Long hex screw
- 8. Locking nuts (3)

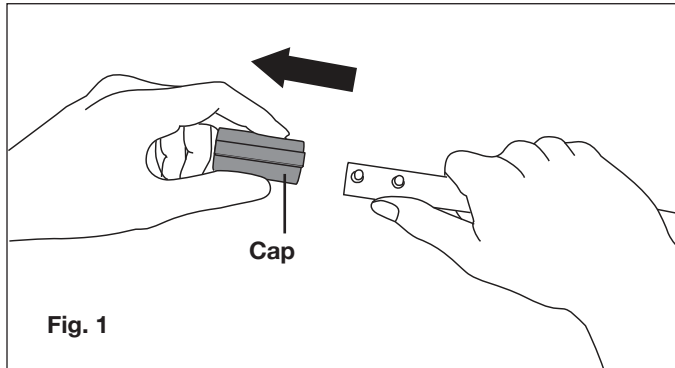
Technical Data

Blade Material.....Aluminum
 Handle MaterialAluminum
 Telescopic Handle6.2 ft to 21 ft
 (1.9 m to 6.4 m)

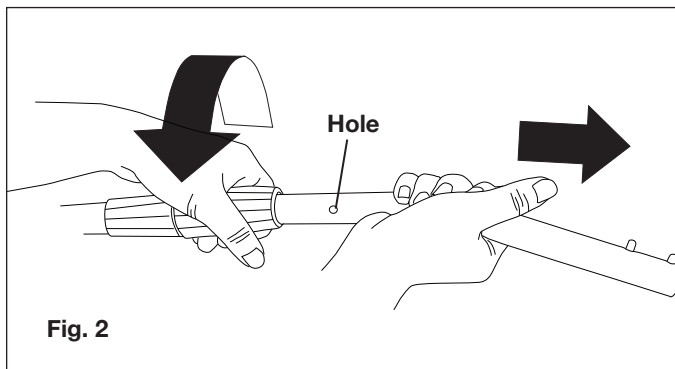
Clearing Width 25 in. (63.5 cm)
 Rake Head Height 6 in. (15 cm)
 Overhead Reach..... 21 ft (6.28 m)
 Weight..... 5.7 lbs (2.6 kg)

Assembling the Roof Rake + Adjusting the Handle

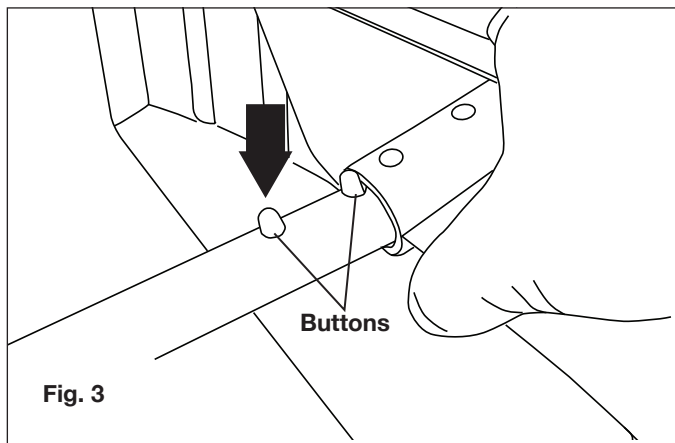
1. Remove the shipping cap from the top of the pole. Retain for storage (Fig. 1).



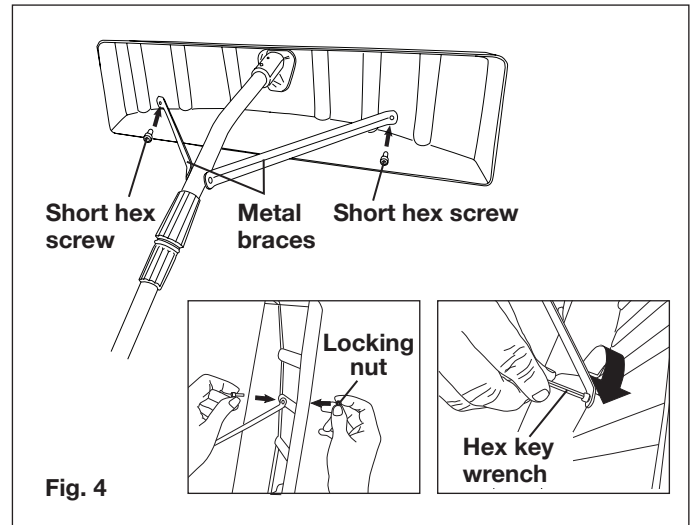
2. Unscrew the handle knob and extend the pole to expose the small holes (Fig. 2).



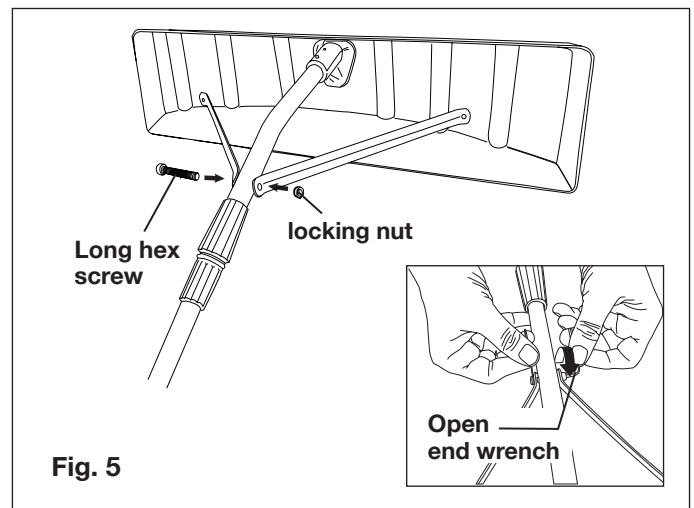
3. Depress the small buttons at the end of the handle so that you can insert the handle into the roof rake head (Fig. 3).



4. Using the hex key wrench, screw the metal braces to the roof rake head with the two short hex screws and secure the screws with the locking nuts (Fig. 4).



5. Affix the metal braces to the pole by threading the long hex screw through the metal braces and the pole. Secure the screw with the locking nut using the open end wrench (Fig. 5).



6. Lengthen the telescopic pole by rotating the handle knob clockwise and extending the pole to the desired length. Secure in position by twisting the knob counterclockwise (Fig. 6).

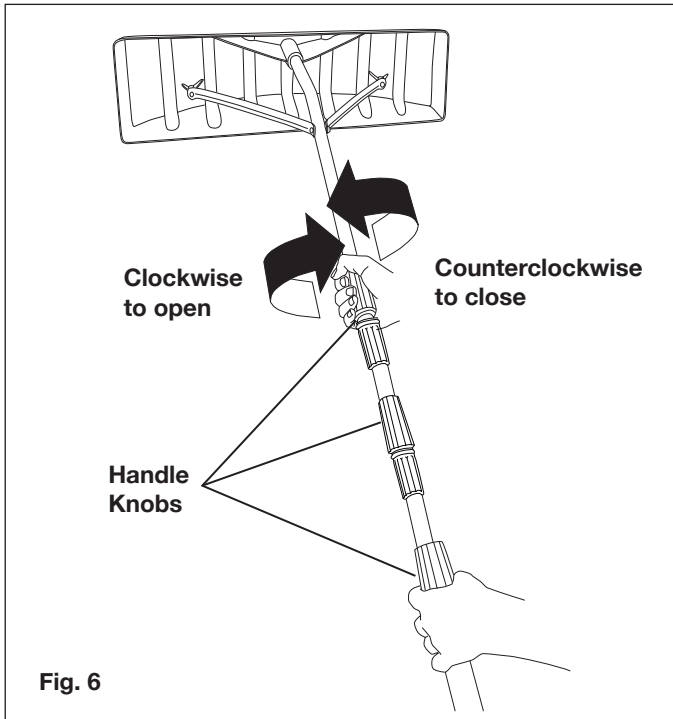


Fig. 6

NOTE: If you have any questions, please call the Snow Joe® + Sun Joe® customer service department at 1-866-SNOWJOE (1-866-766-9563) for assistance.



SNOW JOE® + SUN JOE® REFURBISHED GOODS WARRANTY

GENERAL CONDITIONS:

Snow Joe® + Sun Joe® operating under Snow Joe®, LLC warrants this refurbished product to the original purchaser for 90 days against defects in material or workmanship when used for normal residential purposes. If a replacement part or product is needed, it will be sent free of charge to the original purchaser except as noted below.

The duration of this warranty applies only if the product is put to personal use around the household. It is the owner's responsibility to correctly perform all maintenance and minor adjustments explained in the owner's manual.

HOW TO OBTAIN YOUR REPLACEMENT PART OR PRODUCT:

To obtain a replacement part or product, please visit snowjoe.com/help or email us at help@snowjoe.com for instructions. Please be sure to register your unit beforehand to speed up this process. Certain products may require a serial number, typically found on the decal affixed to the housing or guard of your product. All products require a valid proof of purchase.

EXCLUSIONS:

- Wearing parts like belts, augers, chains and tines are not covered under this warranty. Wearing parts can be purchased at snowjoe.com or by calling 1-866-SNOWJOE (1-866-766-9563).
- Batteries are covered in full for 90-days from the date of purchase.

Snow Joe® + Sun Joe® may from time to time change the design of its products. Nothing contained in this warranty shall be construed as obligating Snow Joe® + Sun Joe® to incorporate such design changes into previously manufactured products, nor shall such changes be construed as an admission that previous designs were defective.

This warranty is intended to cover product defects only. Snow Joe®, LLC is not liable for indirect, incidental or consequential damages in connection with the use or misuse of the Snow Joe® + Sun Joe® products covered by this warranty. This warranty does not cover any cost or expense incurred by the purchaser in providing substitute equipment or service during reasonable periods of malfunction or non-use of this product while waiting for a replacement part or unit under this warranty. Some states do not allow exclusions of incidental or consequential damages so the above exclusions may not apply in all states. This warranty may give you specific legal rights in your state.

HOW TO REACH US:

We're here to help Monday through Friday from 9AM to 6PM EST. You can reach us at 1-866-SNOWJOE (1-866-766-9563), online at snowjoe.com, via email at help@snowjoe.com or tweet us @snowjoe.

EXPORTS:

Customers who have purchased Snow Joe® + Sun Joe® products exported from the United States and Canada should contact their Snow Joe® + Sun Joe® distributor (dealer) to obtain information applicable to your country, province or state. If for any reason, you are not satisfied with the distributor's service, or if you have difficulty obtaining warranty information, contact your Snow Joe® + Sun Joe® seller. If in the event your efforts are unsatisfactory, please reach out to us directly.



snowjoe.com