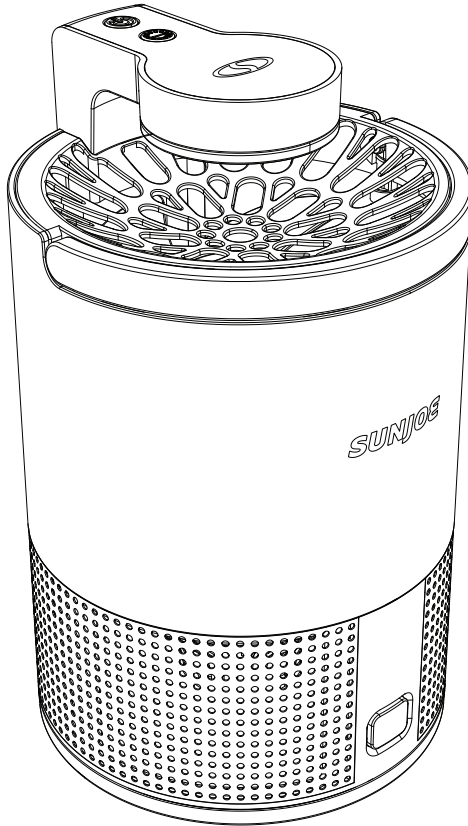




# 5W ELECTRIC BUG TRAPPER

UV LIGHT | FAN | GLUE BOARD

Model SJ-BZ15W-BLK



If you have any questions or comments,  
please call the Snow Joe® + Sun Joe® customer service department at:

**1-866-SNOWJOE (1-866-766-9563)**

# IMPORTANT!

## Safety Instructions

### Read all the instructions before using the device

**⚠️ WARNING!** This device is not intended for use by children or by unassisted, unsupervised persons whose physical, sensory or mental capabilities prevent them from using it safely. Children should be supervised to ensure that they do not play with the device.

**⚠️ WARNING!** When using the device, basic safety precautions should always be followed. Failure to follow all instructions listed below may result in electric shock, fire and/or serious injury.

- This device is for indoor, household use only.
- Do not operate the device in explosive atmospheres, such as in the presence of flammable liquids, gases or dust.
- Do not insert foreign objects into this device.
- To reduce the risk of electric shock, disconnect the device from the power supply when not in use, cleaning, or other similar actions. **To disconnect, turn off before unplugging the device from the outlet.**
- **Do not operate the device with a damaged USB adapter or power cable, or after the device malfunctions, is dropped or damaged in any manner. Contact the Snow Joe® + Sun Joe® customer service center at 1-866-SNOWJOE (1-866-766-9563) for assistance.**
- Keep all connections dry and off the ground.
- Do not clean this device with cleaning agents or solvents as they may damage, weaken or destroy the plastic housing.
- Do not contact moving parts.
- Do not spray or wash in water. Do not use with wet hands or in damp environments.
- Do not immerse this device or place it where it can fall or be pulled into a tub or sink.

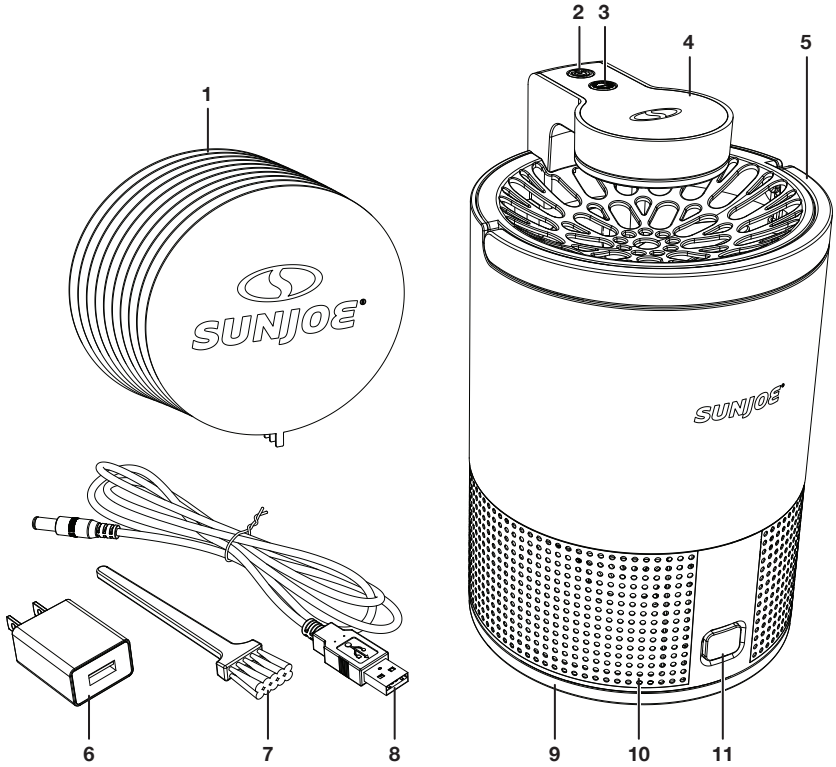
- Store the device indoors and out of the reach of children when not in use.
- When unplugging the power cable from the device or the USB adapter, pull the plug, not the cable to reduce the risk of damage to the power cable.
- For use only with 5V DC, 2A UL or ETL rated adapters. Do not use unapproved power sources.
- Keep the power cable away from heat, oil and sharp edges. Make sure the cable is not be stepped on, tripped over or subjected to stress when in use.
- Use only identical replacement parts and attachments sold by the manufacturer. Replace or repair damaged parts immediately.
- If the device is malfunctioning, unplug it and contact Snow Joe® + Sun Joe® customer service center at 1-866-SNOWJOE (1-866-766-9563).

**⚠️ CAUTION!** Risk of UV exposure. Ensure product is installed such that no continuous human activity is likely to be performed within 0.99m distance of the unit while illuminated.

**SAVE THESE INSTRUCTIONS**

# Know Your Electric Bug Trapper

Read the owner's manual and safety rules carefully before using your Electric Bug Trapper. Compare the illustration below to the actual unit in order to familiarize yourself with the location of the various controls and adjustments. Save this manual for future reference.



- |                            |                   |                         |
|----------------------------|-------------------|-------------------------|
| 1. Replacement glue boards | 4. UV LED         | 8. Power cable          |
| 2. Power button            | 5. Handle         | 9. Tray                 |
| 3. Mode button             | 6. USB adapter    | 10. Air outlet          |
|                            | 7. Cleaning brush | 11. Tray release button |

## Technical Data

Bug Trapper Input.....	5V DC   1A   5 W	Modes .....	Dimmed / Regular
AC Adapter Input.....	100 - 240V AC 50/60 Hz   0.35A	Glue Board Diameter.....	4.3 in. (11 cm)
AC Adapter Output (USB) .....	5V DC   2A	Power Cable Length.....	4 ft. (1.2m)
		Net Weight.....	0.95 lbs (430 g)

# Unpacking

## Carton Contents

- Electric bug trapper
- Replacement glue boards (x10)
- AC adapter
- Power cable
- Cleaning brush
- Manual and registration card

1. Carefully remove the electric bug trapper and check to see that all of the above items are supplied.
2. Inspect the product carefully to make sure no breakage or damage occurred during shipping. If you find damaged or missing parts, DO NOT return the unit to the store. Please call the Snow Joe® + Sun Joe® customer service center at 1-866-SNOWJOE (1-866-766-9563).

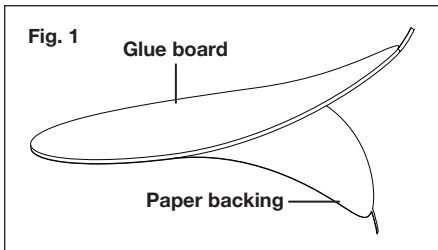
**NOTE:** Do not discard the shipping carton and packaging material until you are ready to use your new electric bug trapper. The packaging is made of recyclable materials. Properly dispose of these materials in accordance with local regulations.

**IMPORTANT!** The equipment and packaging material are not toys. Do not let children play with plastic bags, foils, or small parts. These items can be swallowed and pose a suffocation risk!

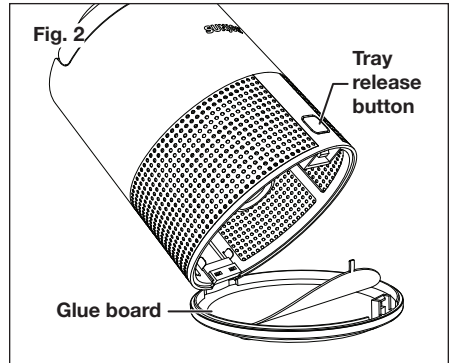
**⚠ WARNING!** To reduce the risk of injury, the user must read and understand this operator's manual before using this product. Failure to follow all warnings and precautions may result in personal injury, or property damage.

## Installing Glue Board

1. Peel the paper backing from the glue board (Fig. 1).



2. Press the tray release button to unlock the tray at the bottom of the bug trapper. Then place the glue board with the sticky side up onto the inside of the tray (Fig. 2).



3. Close the tray.

## Operation

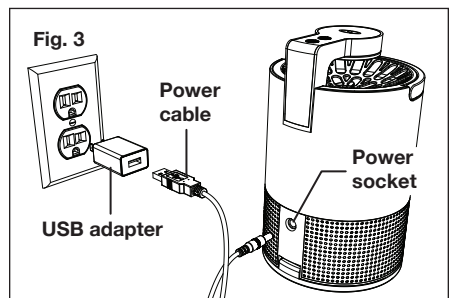
### Intended Use

The SJ-BZ15W-BLK electric bug trapper is designed to trap and collect various small flying insects such as mosquitoes, fruit flies, gnats, moths and more.

This product is intended for indoor domestic use only. It is not intended for commercial use. It must not be used for any purposes other than those described.

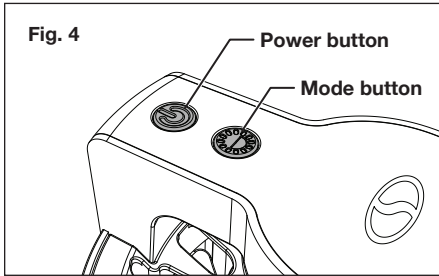
### Powering the Bug Trapper (Fig. 3)

1. Connect the included power cable into the USB port of the USB adapter.
2. Plug the USB adapter into an appropriate electrical outlet.
3. Plug the other end of the power cable into the power socket on the back of the bug trapper.



## Modes (Fig. 4)

1. Press the power button to turn the device on or off.
2. Press the mode button to cycle between two operating modes.
  - Fan + UV (dimmed)
  - Fan + UV (regular)



3. Simply leave the bug trapper running in an indoor environment. The UV light will attract insects to the device allowing the fan to suck them down onto the glue board.

**NOTE:** For best results, use in a dark enclosed space away from strong fan or air conditioning drafts.

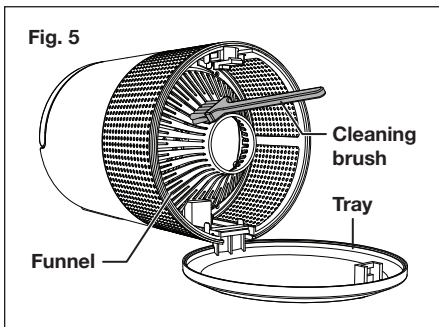
## Maintenance

### Replacing the Glue Board

Replace the glue board with the included replacements once it has been sufficiently saturated with insects. Refer to Fig. 2 for instructions on installing a new glue board.

### Cleaning

1. Unplug the bug trapper then press the tray release button to open the tray.
2. Use the included cleaning brush to clean the funnel and tray (Fig. 5).



**⚠ WARNING!** The exterior housing of bug trapper does not require cleaning. Do not attempt to clean the housing with water, solvents or any other liquids.

## Service + Support

If your Sun Joe® SJ-BZ15W-BLK 5W Electric Bug Trapper requires service or maintenance, please call Snow Joe® + Sun Joe® customer service at 1-866-SNOWJOE (1-866-766-9563) for assistance.

## Model + Serial Numbers

When contacting the company or arranging service from an authorized dealer, you will need to provide the model and serial numbers, which can be found on the registration card. Copy these numbers into the space provided below.

Record the following numbers from the registration card of your new product:

Model #:

Serial #:

# AC Adapter

## Federal Communications Commission (FCC)

**⚠️ WARNING!** Any changes or modifications to this unit not expressly approved by the party responsible for compliance could void the user's authority to operate the equipment.

### Class B device:

**NOTE:** This equipment has been tested and found to comply with the limits for a Class B digital device, pursuant to part 15 of the FCC Rules.

These limits are designed to provide reasonable protection against harmful interference in a residential installation.

This equipment generates, uses and can radiate radio frequency energy and, if not installed and used in accordance with the instructions, may cause harmful interference to radio communications.

However, there is no guarantee that interference will not occur in a particular installation.

If this equipment does cause harmful interference to radio or television reception, which can be determined by turning the equipment off and on, the user is encouraged to try to correct the interference by one or more of the following measures:

- Reorient or relocate the receiving antenna.
- Increase the separation between the equipment and receiver.
- Connect the equipment into an outlet on a circuit different from that to which the receiver is connected.
- Consult the dealer or an experienced radio/TV technician for help.



## SNOW JOE® + SUN JOE® CUSTOMER PROMISE

**ABOVE ALL ELSE,** Snow Joe, LLC (“Snow Joe”) is dedicated to you, our customer. We strive to make your experience as pleasant as possible. Unfortunately, there are times when a Snow Joe®, Sun Joe®, or Aqua Joe® product (“Product”) does not work or breaks under normal operating conditions. We think it’s important that you know what you can expect from us. That’s why we have a Limited Warranty (“Warranty”) for our Products.

---

### OUR WARRANTY:

Snow Joe warrants new, genuine, powered and non-powered Products to be free from defects in material or workmanship when used for ordinary household use for a period of two years from the date of purchase by the original, end-user purchaser when purchased from Snow Joe or from one of Snow Joe’s authorized sellers with proof of purchase. Because Snow Joe is unable to control the quality of its Products sold by unauthorized sellers, unless otherwise prohibited by law, this Warranty does not cover Products purchased from unauthorized sellers. If your Product does not work or there’s an issue with a specific part that is covered by the terms of this Warranty, Snow Joe will elect to either (1) send you a free replacement part, (2) replace the Product with a new or comparable product at no charge, or (3) repair the Product. How cool is that!

**This Warranty gives you specific legal rights, and you may also have other rights which vary from State to State.**

### PRODUCT REGISTRATION:

Snow Joe strongly encourages you to register your Product. You can register online at [snowjoe.com/register](http://snowjoe.com/register), or by printing and mailing in a registration card available online from our website, or calling our Customer Service Department at **1-866-SNOWJOE (1-866-766-9563)**, or by e-mailing us at [help@snowjoe.com](mailto:help@snowjoe.com). Failure to register your Product will not diminish your warranty rights. However, registering your Product will allow Snow Joe to better serve you with any of your customer service needs.

### WHO CAN SEEK LIMITED WARRANTY COVERAGE:

This Warranty is extended by Snow Joe to the original purchaser and original owner of the Product.

### WHAT IS NOT COVERED?

This Warranty does not apply if the Product has been used commercially or for non-household or rental applications. This Warranty also does not apply if the Product was purchased from an unauthorized seller. This Warranty also does not cover cosmetic changes that do not affect performance. Wearing parts like belts, augers, chains and tines are not covered under this Warranty, and can be purchased at [snowjoe.com](http://snowjoe.com) or by calling **1-866-SNOWJOE (1-866-766-9563)**.



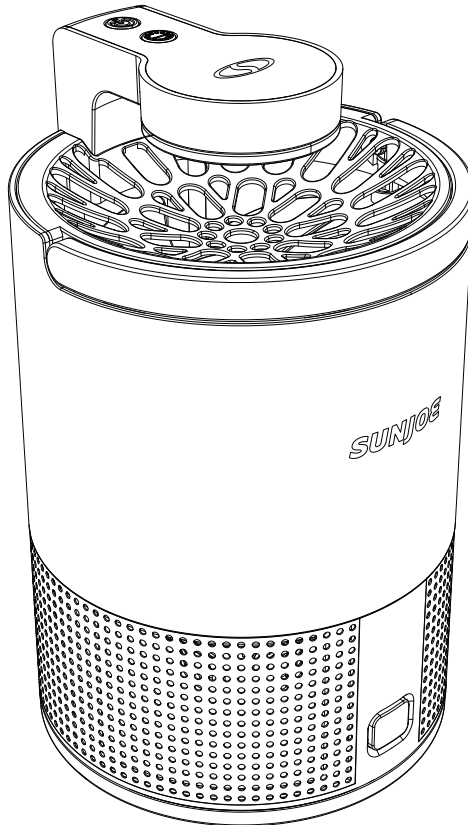




# ATRAPA-INSECTOS ELÉCTRICO DE 5 W

LUZ UV | TURBINA | PANEL CON PEGAMENTO

Modelo SJ-BZ15W-BLK



Si tiene preguntas o comentarios,  
comuníquese con la central de servicio al cliente Snow Joe® + Sun Joe® llamando al:

**1-866-SNOWJOE (1-866-766-9563)**

# ¡IMPORTANTE!

## Instrucciones de seguridad

### Lea todas las instrucciones antes de usar el dispositivo

**⚠ ¡ADVERTENCIA!** Este dispositivo no ha sido diseñado para su uso por niños ni por otras personas sin asistencia o supervisión cuyas habilidades físicas, sensoriales o mentales les impidan usarlo de forma segura. Los niños deben estar bajo supervisión para garantizar que no jueguen con este dispositivo.

**⚠ ¡ADVERTENCIA!** Al usar este dispositivo, se deben siempre seguir precauciones básicas de seguridad. No seguir las instrucciones indicadas a continuación puede resultar en un choque eléctrico, incendio y/o lesiones personales graves.

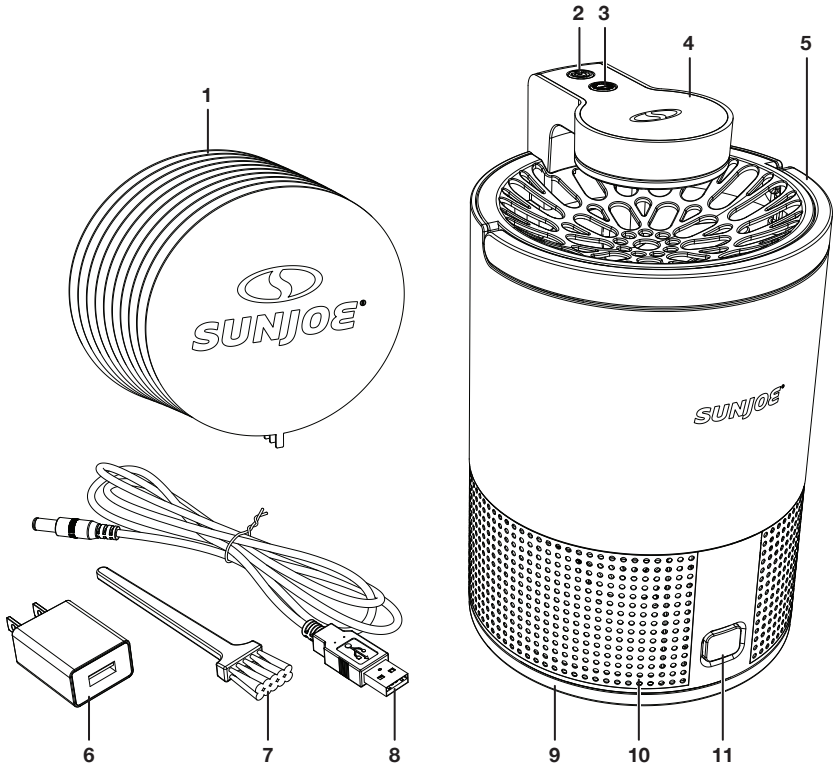
- Este dispositivo es solo para uso doméstico en interiores.
- No opere este dispositivo en atmósferas explosivas, tales como en presencia de líquidos, gases o polvos inflamables.
- No inserte objetos extraños en este dispositivo.
- Para reducir el riesgo de un choque eléctrico, desconecte el dispositivo de la fuente de alimentación cuando no esté siendo usado, cuando sea limpiado, o cuando se le realicen tareas similares. Para desconectar el dispositivo, apáguelo antes de desenchufarlo del tomacorriente.
- No opere el dispositivo con un adaptador USB o cable de alimentación dañado, o después de que el dispositivo funcione incorrectamente, se haya dejado caer, o se haya dañado de forma alguna. Comuníquese con la central de servicio al cliente Snow Joe® + Sun Joe® llamando al 1-866-SNOWJOE (1-866-766-9563) para obtener ayuda.
- Mantenga todas las conexiones secas y por encima del suelo.
- No limpie este dispositivo con agentes de limpieza o solventes ya que pueden dañar, debilitar o destruir su carcasa de plástico.
- No toque las partes móviles de este dispositivo.

- No rocíe ni lave el producto con agua. No lo use con las manos mojadas o en entornos húmedos.
- No sumerja este dispositivo ni lo coloque en un lugar desde donde pueda caer o ser jalado hacia una bañera o lavabo.
- Guarde este dispositivo en interiores y lejos del alcance de los niños cuando no esté siendo usado.
- Al desenchufar el cable de alimentación del dispositivo o del adaptador USB, tire del enchufe, no del cable, para reducir el riesgo de daños al cable de alimentación.
- Para uso solo con adaptadores aprobados por UL o ETL de 5 V CC y 2 A de salida. No use fuentes de alimentación no aprobadas.
- Mantenga el cable de alimentación alejado del calor, aceite o bordes afilados. Asegúrese de que este cable no sea pisoteado, que no cause que la gente se tropiece, ni que esté sujeto a tensión durante su uso.
- Use solo partes de repuesto idénticas y accesorios vendidos por el fabricante. Reemplace o repare inmediatamente las partes dañadas.
- Si el dispositivo no funciona correctamente, desenchúfelo de su fuente de alimentación y comuníquese con la central de servicio al cliente Snow Joe® + Sun Joe® llamando al 1-866-SNOWJOE (1-866-766-9563).

**⚠ ¡PRECAUCIÓN!** Riesgo de exposición a la luz ultravioleta (UV): asegúrese de que la unidad esté instalada de forma que ninguna actividad humana pueda realizarse de forma continua a menos de 1 metro de distancia mientras esté iluminada.

# Conozca su atrapa-insectos eléctrico

Lea detenidamente este manual del propietario y el reglamento de seguridad antes de usar su atrapa-insectos eléctrico. Compare la ilustración debajo con la unidad real para familiarizarse con las ubicaciones de los diversos controles y ajustes. Conserve este manual para futuras referencias.



- |                                      |                  |                                    |
|--------------------------------------|------------------|------------------------------------|
| 1. Paneles con pegamento de repuesto | 4. Luz LED UV    | 8. Cable de alimentación           |
| 2. Botón de encendido                | 5. Mango         | 9. Bandeja                         |
| 3. Botón de modo                     | 6. Adaptador USB | 10. Salida de aire                 |
|                                      | 7. Cepillo       | 11. Botón de desmontaje de bandeja |

## Datos técnicos

Entrada de atrapa-insectos.....	5 V CC   1 A   5 W	Diámetro de panel.....	4 plg (11 cm) con pegamento
Entrada de adaptador CA .....	100 - 240 V CA 50 Hz/60 Hz   0.35 A	Longitud de cable.....	4 pies (1.2 m) de alimentación
Salida de adaptador CA (USB).....	5 V CC   2 A	Peso neto .....	0.95 lb (430 g)
Modos de luz UV.....	Atenuada/brillante		

# Desembalaje

## Contenido del paquete:

- Atrapa-insectos eléctrico
- Paneles con pegamento de repuesto (×10)
- Adaptador CA
- Cable de alimentación
- Cepillo
- Manual y tarjeta de registro

1. Retire cuidadosamente el atrapa-insectos eléctrico y compruebe que todos los artículos anteriores estén suministrados.
2. Inspeccione cuidadosamente el producto para asegurarse de que no haya ocurrido ningún daño o ruptura durante el transporte. Si alguna parte está dañada o extraviada, NO DEVUELVA el atrapa-insectos eléctrico a la tienda. Comuníquese con la central de servicio al cliente Snow Joe® + Sun Joe® llamando al 1-866-SNOWJOE (1-866-766-9563).

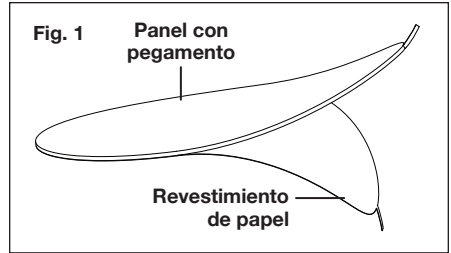
**NOTA:** no se deshaga de la caja de transporte ni de los materiales de embalaje hasta que usted esté listo para usar su atrapa-insectos eléctrico. El empaquetado está hecho de materiales reciclables. Deseche estos materiales de acuerdo con los reglamentos de su localidad.

**¡IMPORTANTE!** El equipo y los materiales de embalaje no son juguetes. No permita que los niños jueguen con bolsas plásticas, láminas o partes pequeñas. ¡Estos objetos pueden ser tragados y causar asfixia!

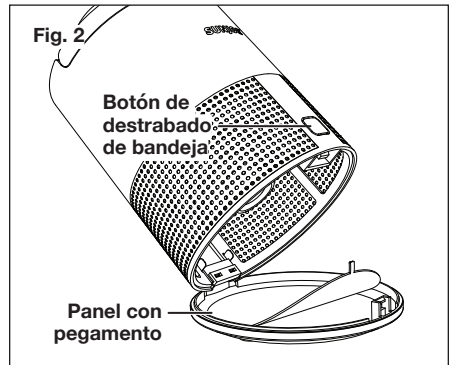
**⚠ ¡ADVERTENCIA!** Para reducir el riesgo de lesiones personales, el usuario debe leer y entender este manual del operador antes de usar este producto. No seguir todas las advertencias y precauciones puede resultar en lesiones o daños a la propiedad.

## Instalación del panel con pegamento

1. Despegue el revestimiento de papel del panel con pegamento (Fig. 1).



2. Presione el botón de destrabado de bandeja para destrabar la bandeja en la parte inferior del atrapa-insectos eléctrico. Luego coloque el panel con pegamento, con su lado pegajoso hacia arriba, sobre el interior de la bandeja (Fig. 2).



3. Cierre la bandeja.

## Operación

### Uso indicado

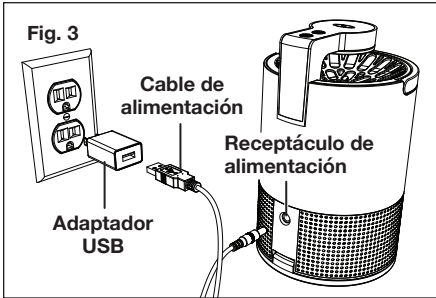
El atrapa-insectos eléctrico SJ-BZ15W-BLK está diseñado para atrapar y recolectar diversos insectos voladores pequeños tales como mosquitos, moscas de la fruta, zancudos, polillas y otros.

Este producto está destinado solo para uso doméstico en interiores. No está destinado para un uso comercial. No debe ser usado para ningún propósito distinto a aquellos descritos en este manual.

### Encendido del atrapa-insectos eléctrico (Fig. 3)

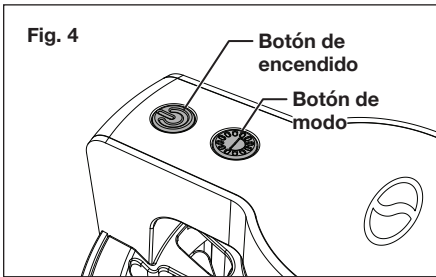
1. Conecte el cable de alimentación incluido dentro del puerto USB del adaptador USB.
2. Enchufe el adaptador USB en un tomacorriente eléctrico apropiado.

3. Conecte el otro extremo del cable de alimentación dentro del receptáculo de alimentación en la parte trasera del atrapa-insectos eléctrico.



### Modos (Fig. 4)

1. Presione el botón de encendido para encender o apagar el dispositivo.
2. Presione el botón de modo para alternar entre los dos modos de operación:
  - Turbina + luz UV (atenuada)
  - Turbina + luz UV (regular)



3. Simplemente deje el atrapa-insectos eléctrico funcionando en un espacio cerrado. La luz UV atraerá los insectos al dispositivo, permitiendo que la turbina los aspire hacia el panel con pegamento.

**NOTA:** para un mejor resultado, úselo en un ambiente oscuro cerrado, lejos de ventiladores o corrientes de aire acondicionado.

## Mantenimiento

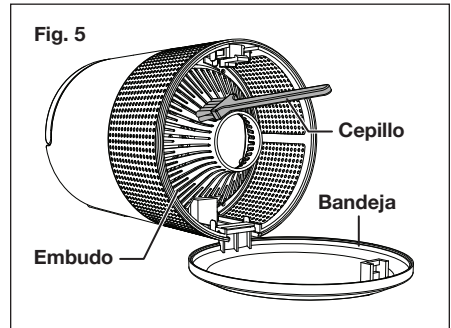
### Reemplazo de panel con pegamento

Reemplace el panel con pegamento con uno de los repuestos incluidos una vez que esté lo suficientemente saturado con insectos. Vea la

Fig. 2 para las instrucciones sobre cómo instalar un nuevo panel con pegamento.

### Limpieza

1. Desenchufe el atrapa-insectos eléctrico de su fuente de alimentación y presione el botón de destrabado de bandeja para abrir la bandeja.
2. Use el cepillo incluido para limpiar el embudo y la bandeja (Fig. 5).



**⚠ ¡ADVERTENCIA!** La carcasa exterior del atrapa-insectos eléctrico no requiere de limpieza. No intente limpiar la carcasa con agua, solventes u otros líquidos.

### Servicio y soporte

Si su atrapa-insectos eléctrico de 5 W SJ-BZ15W-BLK de Sun Joe® requiere servicio o mantenimiento, comuníquese con la central de servicio al cliente Snow Joe® + Sun Joe® llamando al 1-866-SNOWJOE (1-866-766-9563) para obtener ayuda.

### Modelo y número de serie

Al contactar a la empresa o programar una reparación en un centro autorizado, usted necesitará proporcionar el modelo y número de serie, los cuales se encuentran en la tarjeta de registro. Copie estos números en el espacio proporcionado a continuación.

Registre los siguientes números que se encuentran en la tarjeta de registro de su nuevo producto:

Modelo:  
 S | J | - | B | Z | 1 | 5 | W | - | B | L | K | \_\_\_\_\_

Nº de serie:  
 \_\_\_\_\_

# Adaptador CA

## Federal Communications Commission (Comisión Federal de Comunicaciones o FCC):

**⚠ ¡ADVERTENCIA!** Cualquier cambio o modificación a esta unidad no aprobados expresamente por la parte responsable del cumplimiento puede hacer que el usuario pierda el derecho de utilizar el equipo.

### Dispositivo Clase B:

**NOTA:** este equipo ha sido probado y cumple con los límites de la Clase B de dispositivos digitales, de acuerdo con la Parte 15 de las normas de la FCC.

Estos límites están diseñados para proporcionar protección razonable contra interferencias dañinas en una instalación residencial.

Este equipo genera, usa y puede irradiar energía de radiofrecuencia y, si no se instala y utiliza de acuerdo con las instrucciones, puede provocar interferencias perjudiciales en las comunicaciones radiofónicas.

No obstante, no hay garantía alguna de que no se produzcan interferencias en una instalación concreta.

Si este equipo llegara a causar una interferencia perjudicial para la recepción de radio o televisión (la cual se puede determinar apagando y encendiendo el equipo), se recomienda que el usuario trate de corregir la interferencia tomando una o más de las siguientes medidas:

- Reorientar o reubicar la antena receptora.
- Aumentar la distancia entre el equipo y el receptor.
- Conectar el equipo a un tomacorriente correspondiente a un circuito diferente de aquel al que está conectado el receptor.
- Consultar con un comerciante o con un técnico experimentado de radio y televisión.



## LA PROMESA DE SNOW JOE® + SUN JOE® AL CLIENTE

**POR SOBRE TODO**, en Snow Joe, LLC (“Snow Joe”) estamos dedicados a usted, nuestro cliente. Nos esforzamos por hacer que su experiencia sea lo más placentera posible. Desafortunadamente, hay veces en que un producto Snow Joe®, Sun Joe®, o Aqua Joe® (el “Producto”) no funciona o sufre un desperfecto bajo condiciones normales de operación. Creemos que es importante que usted sepa que puede confiar en nosotros. Es por eso que tenemos esta Garantía Limitada (la “Garantía”) para nuestros Productos.

---

### **NUESTRA GARANTÍA:**

Snow Joe garantiza que sus Productos motorizados y no motorizados, nuevos y genuinos, están libres de defectos materiales o de mano de obra al ser usados en tareas domésticas normales durante un periodo de dos (2) años a partir de la fecha de compra por parte del comprador original y usuario final, cuando este último los compra a través de Snow Joe o un vendedor autorizado por Snow Joe y ha obtenido un comprobante de compra. Ya que Snow Joe no puede controlar la calidad de sus Productos vendidos por vendedores no autorizados, a menos que la ley lo prohíba esta Garantía no cubre Productos adquiridos a través de vendedores no autorizados. Si su Producto no funciona, o hay un problema con una parte específica que está cubierta por los términos de esta Garantía, Snow Joe elegirá entre: (1) enviarle una parte de repuesto gratuita; (2) reemplazar el Producto con uno nuevo o similar sin costo alguno; o (3) reparar el Producto. ¡Un excelente soporte!

**Esta Garantía le da derechos legales específicos, y usted puede también tener otros derechos según el Estado.**

### **REGISTRO DEL PRODUCTO:**

Snow Joe le recomienda enfáticamente registrar su Producto. Puede registrar su producto en línea visitando [snowjoe.com/register](http://snowjoe.com/register), imprimiendo y enviando por correo una tarjeta de registro disponible en línea en nuestro sitio Web, llamando a nuestra central de servicio al cliente al **1-866-SNOWJOE (1-866-766-9563)**, o enviándonos un e-mail a [help@snowjoe.com](mailto:help@snowjoe.com). Si usted no registra su Producto, sus derechos de garantía no disminuirán; sin embargo, registrar su Producto permitirá que Snow Joe le pueda atender mejor si usted tiene alguna necesidad como cliente.

### **¿QUIÉN PUEDE SOLICITAR COBERTURA DE GARANTÍA LIMITADA?**

Esta Garantía es otorgada por Snow Joe al comprador original y propietario original del Producto.

### **¿QUÉ NO ESTÁ CUBIERTO?**

Esta Garantía no se aplica si el Producto ha sido usado de forma comercial o en aplicaciones no domésticas o de alquiler. Esta Garantía tampoco se aplica si el Producto fue adquirido desde un vendedor no autorizado. Esta garantía tampoco cubre cambios cosméticos que no afecten el funcionamiento del Producto. Las partes desgastables como correas, brocas y cuchillas no están cubiertas por esta Garantía, y pueden ser compradas visitando [snowjoe.com](http://snowjoe.com) o llamando al **1-866-SNOWJOE (1-866-766-9563)**.



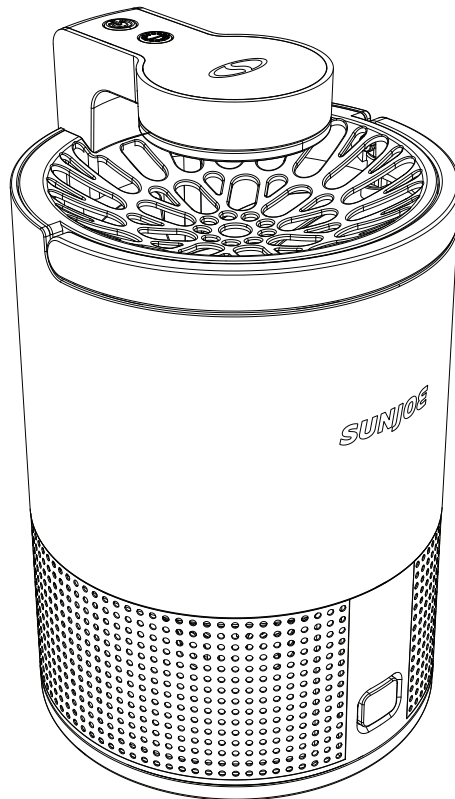




# PIÈGE À INSECTES ÉLECTRIQUE DE 5 W

LUMIÈRE UV | VENTILATEUR | PLAQUE COLLANTE

Modèle SJ-BZ15W-BLK



Si vous avez la moindre question ou des commentaires,  
veuillez appeler le service à la clientèle Snow Joe® + Sun Joe® au :

**1-866-SNOWJOE (1-866-766-9563)**

# IMPORTANT!

## Consignes de sécurité

### Lisez toutes les consignes avant d'utiliser l'appareil

**⚠ AVERTISSEMENT!** Cet APPAREIL n'est pas destiné à être utilisé par des enfants ou par des personnes qui ne sont ni assistées ni supervisées et dont les capacités physiques, sensorielles ou mentales les empêchent de l'utiliser sans danger. Les enfants doivent être supervisés pour s'assurer qu'ils ne jouent pas avec l'appareil.

**⚠ AVERTISSEMENT!** Pour l'utilisation de cet appareil, les mesures de sécurité élémentaires doivent toujours être suivies. Le non-respect de toutes les consignes pourrait être à l'origine d'une secousse électrique, d'un incendie et/ou de graves dommages corporels.

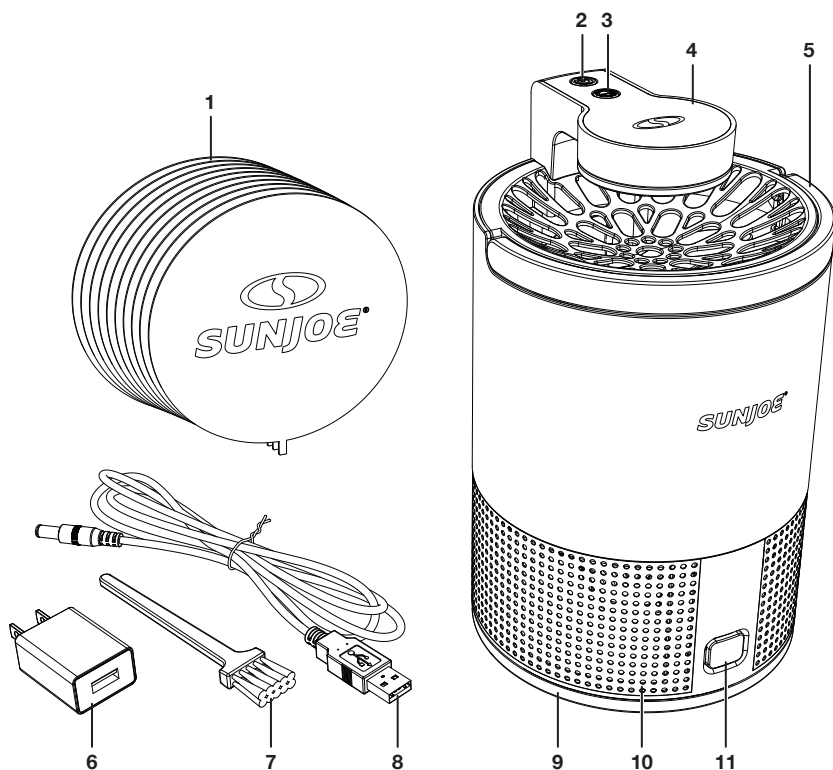
- Cet appareil est destiné uniquement à un usage domestique, à l'intérieur.
- N'utilisez pas l'appareil lorsque l'atmosphère est explosive, par exemple en présence de liquides inflammables, de gaz ou de poussière.
- N'insérez pas de corps étrangers dans cet appareil.
- Pour réduire le risque de secousse électrique, débranchez l'appareil de la source d'alimentation électrique si vous ne l'utilisez pas, lorsque vous le nettoyez ou entreprenez toute autre action similaire. Pour désactiver l'alimentation électrique, éteignez l'appareil avant de le débrancher de la prise.
- N'utilisez pas l'appareil avec un adaptateur USB ou un câble d'alimentation endommagé, après un mauvais fonctionnement de l'appareil ou s'il est tombé ou a été endommagé d'une manière ou d'une autre. Communiquez avec le service à la clientèle Snow Joe® + Sun Joe® en appelant le 1-866-SNOWJOE (1-866-766-9563) pour de l'aide.
- Maintenez tous les branchements au sec et jamais sur le sol.
- Ne nettoyez pas cet appareil en utilisant des produits de nettoyage ou des solvants, car ils peuvent endommager, fragiliser ou détruire le boîtier en plastique

- Ne touchez pas les pièces mobiles.
- Ni aspergez ni lavez dans de l'eau. N'utilisez pas l'appareil les mains mouillées ou par forte humidité.
- Ni immergez cet appareil ni le placez dans un endroit où il peut tomber ou être tiré dans une baignoire ou un lavabo.
- Lorsque vous ne l'utilisez pas, rangez l'appareil à l'intérieur et hors de portée des enfants.
- Pour réduire le risque d'endommager le câble d'alimentation lorsque vous le débranchez de l'appareil ou de l'adaptateur USB, tirez la fiche et non le câble.
- Pour utilisation uniquement avec un adaptateur homologué UL ou ETL de 5 VCC, 2 A. N'utilisez aucune source d'alimentation électrique non homologuée.
- Maintenez le câble d'alimentation éloigné de la chaleur, de l'huile et des arêtes vives. Veillez à ce que l'on ne puisse pas marcher sur le câble, trébucher dessus ou le tendre de façon excessive lorsqu'il est branché.
- Utilisez uniquement des pièces de rechange identiques et des accessoires vendus par le fabricant. Remplacez ou réparez immédiatement les pièces endommagées.
- Si l'appareil fonctionne mal, débranchez-le et communiquez avec le service à la clientèle Snow Joe® + Sun Joe® au 1-866-SNOWJOE (1-866-766-9563).

**⚠ MISE EN GARDE!** Risque d'exposition à des rayons UV. Veillez à ce que l'appareil soit placé de façon qu'aucune activité humaine continue ne puisse avoir lieu dans un rayon d'un mètre autour lorsqu'il est allumé.

# Apprenez à mieux connaître votre piège à insectes électrique

Avant d'utiliser votre piège à insectes électrique, lisez attentivement le manuel d'utilisation et les consignes de sécurité. Pour vous familiariser avec l'emplacement des différents réglages et commandes, comparez l'illustration ci-dessous avec votre appareil. Conservez ce manuel pour pouvoir le consulter dans le futur.



- 1. Plaques collantes de recharge
- 2. Bouton marche/arrêt
- 3. Bouton de modes

- 4. Lampe UV à DEL
- 5. Poignée
- 6. Adaptateur USB
- 7. Brosse de nettoyage
- 8. Câble d'alimentation

- 9. Plateau
- 10. Sortie d'air
- 11. Bouton de déverrouillage de plateau

## Données techniques

Entrée du piège à insectes ..... 5 VCC | 1 A | 5 W  
Entrée de l'adaptateur ..... 100 -240 VCA  
secteur 50/60 Hz | 0,35 A  
Sortie de l'adaptateur ..... 5 VCC | 2 A  
secteur (USB)

Modes ..... Tamisé/Normal  
Diamètre de la plaque collante ..... 11 cm  
Longueur du câble d'alimentation ..... 1,2 m  
Poids net ..... 430 g

# Déballage

## Contenu de la caisse

- Piège à insectes électrique
- Plaques collantes de rechange (10)
- Adaptateur secteur
- Câble d'alimentation
- Brosse de nettoyage
- Manuel et carte d'enregistrement

1. Retirez soigneusement le piège à insectes électrique de la caisse et inspectez-le pour vérifier que tous les éléments énumérés ci-dessus sont fournis.

2. Inspectez soigneusement le contenu afin de vous assurer qu'aucun élément ne s'est cassé ou n'a été endommagé pendant l'expédition. Si vous constatez que des pièces manquent ou sont endommagées, NE PAS retourner le chariot au magasin. Veuillez appeler le service à la clientèle Snow Joe® + Sun Joe® au 1-866-SNOWJOE (1-866-766-9563).

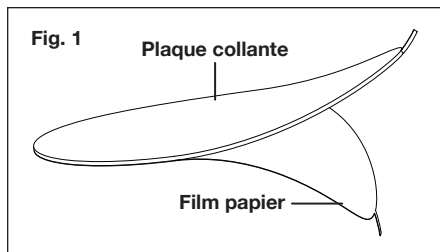
**REMARQUE :** ne jetez pas la caisse d'expédition et l'emballage tant que vous n'êtes pas prêt à utiliser votre nouveau piège à insectes électrique. L'emballage est fabriqué dans des matériaux recyclables. Éliminez ces matériaux de façon appropriée et conformément aux réglementations locales.

**IMPORTANT!** Le matériel et l'emballage ne sont pas des jouets. Ne laissez pas les enfants jouer avec les sacs en plastique, les feuilles métalliques ou les petites pièces. Ces éléments peuvent être avalés et risquent de provoquer une suffocation!

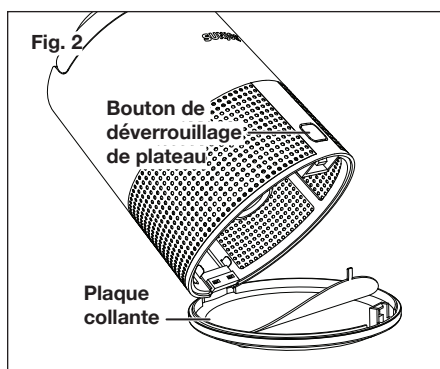
**⚠ AVERTISSEMENT!** Pour réduire le risque de se blesser, il faut lire et comprendre le manuel d'instructions avant d'utiliser ce produit. Le non-respect de ces avertissements et précautions peut entraîner des dommages corporels ou matériels.

## Pose de la plaque collante

1. Pelez le film en papier de la plaque collante (Fig. 1).



2. Pour déverrouiller le plateau, appuyez sur le bouton de déverrouillage dans la partie inférieure du piège à insectes. Placez ensuite la plaque collante, la face collante étant dirigée vers l'intérieur de l'appareil (Fig. 2).



3. Fermez le plateau.

## Utilisation

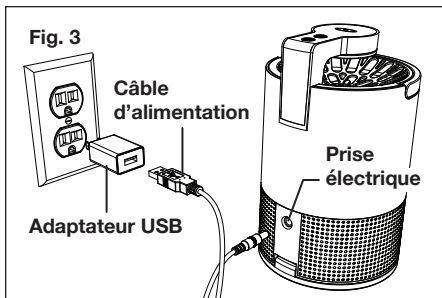
### Utilisation prévue

Le piège à insectes électrique SJ-BZ15W-BLK est conçu pour piéger et ramasser différentes espèces de petits insectes volants, par exemple les moustiques, les mouches des fruits, les moucherons, les papillons nocturnes, etc.

Cet appareil est uniquement destiné à une utilisation domestique. Il n'est pas destiné à une utilisation commerciale. Il ne doit pas être utilisé à des fins autres que celles décrites ici.

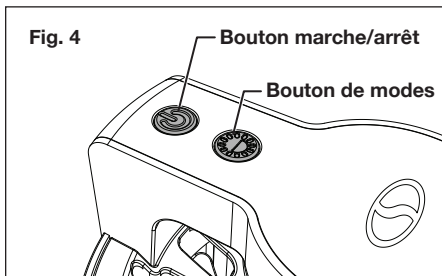
### Allumage du piège à insectes (Fig. 3)

1. Branchez le câble d'alimentation inclus dans le port USB de l'adaptateur USB.
2. Branchez l'adaptateur USB dans une prise électrique appropriée.
3. Branchez l'autre extrémité du câble d'alimentation dans la prise électrique à l'arrière du piège à insectes.



### Modes (Fig. 4)

1. Pour allumer ou éteindre l'appareil, appuyez sur le bouton marche/arrêt.
2. Appuyez sur le bouton de modes pour passer d'un mode d'utilisation à l'autre.
  - Ventilateur + UV (tamisé)
  - Ventilateur + UV (normal)



3. Laissez simplement le piège à insectes allumé en intérieur. La lumière ultraviolette attirera les insectes dans l'appareil et le ventilateur les aspirera en direction de la plaque collante.

**REMARQUE :** pour obtenir le meilleur résultat, utilisez l'appareil dans une enceinte close plongée dans l'obscurité et à l'écart d'un ventilateur puissant ou d'une sortie d'air de climatiseur.

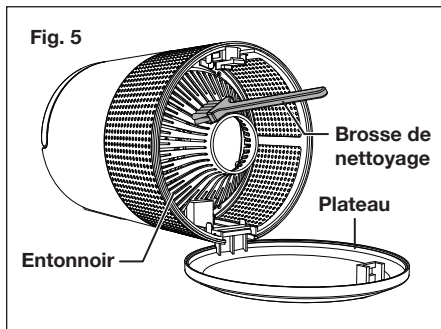
## Entretien

### Remplacement de la plaque collante

Une fois que la plaque collante est pleine d'insectes, remplacez-la par une des plaques de rechange incluses. Reportez-vous à la Fig. 2 pour les instructions de pose d'une nouvelle plaque-carton.

## Nettoyage

1. Débranchez le piège à insectes, puis ouvrez le plateau en appuyant sur le bouton de déverrouillage.
2. Utilisez la brosse de nettoyage incluse pour nettoyer l'entonnoir et le plateau (Fig. 5).



**AVERTISSEMENT!** L'extérieur du boîtier du piège à insectes ne nécessite aucun nettoyage. Ne pas essayer de nettoyer le boîtier avec de l'eau, des solvants ou d'autres liquides.

## Entretien, réparation et assistance technique

Si votre piège à insectes électrique Sun Joe® SJ-BZ15W-BLK de 5 W nécessite une réparation ou un entretien, veuillez appeler le service à la clientèle Snow Joe® + Sun Joe® au 1-866-SNOWJOE (1-866-766-9563) pour de l'aide.

## Numéros de modèle et de série

Lorsque vous communiquez avec l'entreprise ou prenez rendez-vous pour une réparation ou un entretien chez un revendeur agréé, vous devez fournir les numéros de modèle et de série qui se trouvent sur la carte d'enregistrement. Copiez ces numéros dans l'espace réservé ci-dessous.

Veuillez noter les numéros suivants apposés sur la carte d'enregistrement de votre nouveau produit :

N° de modèle :

| S | J | - | B | Z | 1 | 5 | W | - | B | L | K |    |    |    |    |    |    |    |    |    |    |    |

N° de série :

|    |    |    |    |    |    |    |    |    |    |    |    |    |    |    |    |    |    |    |    |    |    |

# Adaptateur secteur

## FCC (Commission fédérale des communications)

**⚠️ AVERTISSEMENT!** Toute modification ou tout changement apporté à cet appareil et non approuvé par la partie à qui incombe la responsabilité de sa conformité pourrait annuler l'autorisation de l'utiliser.

### Appareil de Classe B :

**REMARQUE :** ce matériel a été testé et il a été constaté qu'il est conforme aux limites des appareils numériques de Classe B, conformément à la Partie 15 des Règles de la FCC.

Ces limites sont conçues pour fournir une protection raisonnable contre le brouillage préjudiciable dans une installation résidentielle.

Ce matériel génère, utilise et peut rayonner une énergie de fréquence radio et, s'il n'est pas installé et utilisé conformément aux instructions, peut être à l'origine d'un brouillage préjudiciable aux communications radio.

Toutefois, il n'est pas exclu que le brouillage affecte une installation particulière.

Si cet appareil est à l'origine de brouillage préjudiciable à la réception radio et télévision, ce qui peut être déterminé en éteignant et en allumant l'appareil, l'utilisateur est invité à supprimer le brouillage en prenant une ou plusieurs des mesures suivantes :

- Réorienter ou repositionner l'antenne de réception.
- Augmenter la distance entre l'appareil et le récepteur.
- Brancher l'appareil dans la sortie d'un circuit différent de celui dans lequel le récepteur est branché.
- Pour de l'aide, consulter le revendeur ou un technicien radio/télé qualifié.



## LA PROMESSE DE SNOW JOE® + SUN JOE® À SES CLIENTS

**VOUS ÊTES NOTRE CLIENT ET** Snow Joe, LLC (« Snow Joe ») SE MET EN QUATRE pour vous servir. Nous nous efforçons de vous rendre l'utilisation de nos produits aussi plaisante que possible. Malheureusement, il peut arriver qu'un produit Snow Joe®, Sun Joe® ou Aqua Joe® (« Produit ») ne fonctionne pas ou se casse dans des conditions d'utilisation normales. Nous pensons qu'il est important que vous sachiez ce que vous pouvez attendre de nous. C'est pourquoi nous avons une garantie limitée (« Garantie ») pour nos Produits.

---

### NOTRE GARANTIE :

Snow Joe déclare et garantit que les Produits neufs, d'origine, électriques ou non électriques sont exempts de vices de matière ou de fabrication et, lorsqu'ils font l'objet d'une utilisation résidentielle et ménagère ordinaire, les garantit pendant une période de deux ans à compter de la date d'achat au détail par l'acheteur primitif auprès de Snow Joe ou d'un des revendeurs agréés de Snow Joe, preuve d'achat à l'appui. Étant donné que Snow Joe ne peut pas contrôler la qualité de ses Produits vendus par des revendeurs non agréés, sauf stipulation contraire de la loi, la présente Garantie ne couvre pas les Produits achetés auprès de vendeurs non agréés. Si votre Produit ne fonctionne pas ou si une pièce spécifique couverte par les modalités de la présente Garantie fait l'objet d'un problème quelconque, Snow Joe choisira (1) de vous envoyer une pièce de rechange gratuite, (2) de remplacer le Produit par un produit neuf ou comparable, gratuitement, ou (3) de réparer le Produit. Génial, n'est-ce pas ?

**La présente Garantie vous donne des droits judiciaires spécifiques, et vous pouvez également avoir d'autres droits qui peuvent varier d'une province ou d'un territoire à l'autre.**

### ENREGISTREMENT DU PRODUIT

La présente Garantie vous donne des droits judiciaires spécifiques, et vous pouvez également avoir d'autres droits qui peuvent varier d'une province ou d'un territoire à l'autre. Vous pouvez l'enregistrer en ligne sur le site [snowjoe.com/register](https://snowjoe.com/register), ou en imprimant et en envoyant par courrier une carte d'enregistrement disponible en ligne sur notre site Web, ou par téléphone en appelant notre Service à la clientèle au **1-866-SNOWJOE (1-866-766-9563)**, ou encore en nous envoyant un courriel à l'adresse [help@snowjoe.com](mailto:help@snowjoe.com). Le fait de ne pas enregistrer l'achat de votre produit n'a aucune conséquence sur vos droits concernant la garantie. Toutefois, l'enregistrement de votre achat permettra à Snow Joe® de mieux répondre au moindre besoin que vous pourriez avoir en matière de service à la clientèle.

### QUI PEUT REVENDIQUER LA COUVERTURE DE LA GARANTIE?

La présente Garantie est étendue par Snow Joe à l'acheteur et propriétaire primitif du Produit.

### QU'EST-CE QUI N'EST PAS COUVERT?

La présente Garantie ne s'applique pas si le Produit a été utilisé commercialement, pour des travaux non résidentiels ou s'il fait l'objet d'une location. La présente Garantie ne s'applique pas non plus si le Produit a été acheté auprès d'un revendeur non agréé. La présente Garantie ne couvre pas non plus les changements cosmétiques qui n'affectent pas le rendement. Les pièces d'usure comme les courroies, les tarières, les chaînes et les dents ne sont pas couvertes au titre de la présente Garantie et peuvent être achetées en ligne sur le site [snowjoe.com](https://snowjoe.com) ou en appelant le **1-866-SNOWJOE (1-866-766-9563)**.



[sunjoe.com](http://sunjoe.com)