

AQUAJOE®

STEEL GARDEN **HOSE HOLDER** *WITH FAUCET*

Model SJ-SHSBB-TAN-RM

**THANKS FOR YOUR PURCHASE
OF A REMANUFACTURED PRODUCT.**

To make sure you get the most out of your product, be sure to register online at

sunjoe.com

to enjoy full product support.

PASTE UPC LABEL HERE

If you have any questions or comments,
please call the Snow Joe® + Sun Joe® customer service department at:

1-866-SNOWJOE (1-866-766-9563)

AQUAJOE®

STEEL GARDEN HOSE HOLDER WITH FAUCET

Model SJ-SHSBB-TAN-RM



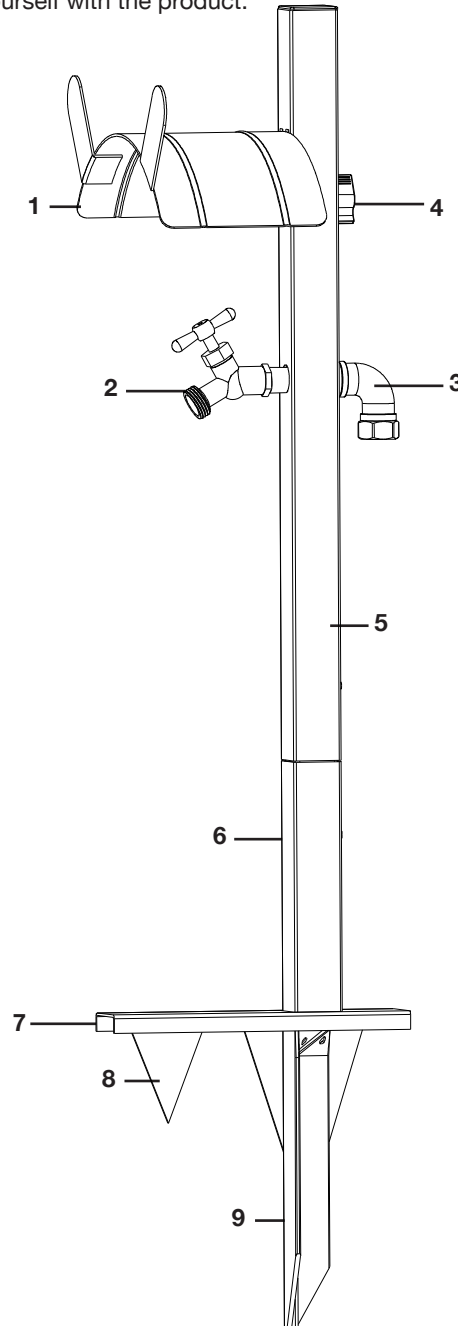
If you have any questions or comments,
please call the Snow Joe® + Sun Joe® customer service department at:

1-866-SNOWJOE (1-866-766-9563)

Know Your Steel Garden Hose Holder

Read the owner's manual and safety instructions carefully before using the steel garden hose holder. Compare the illustration below to the steel garden hose holder in order to familiarize yourself with the product. Save this manual for future reference.

1. Hose holder
2. Front faucet
3. Rear inlet
4. S-type nut
5. Top post
6. Bottom post
7. Base
8. Secondary stake
9. Primary stake



Technical Data

Product Dimensions:	9.8 in. W x 42.5 in. H x 10.2 in. D (25 cm W x 108 cm H x 26 cm D)
Anchoring System	2-Point Secure Anchor System
Storage Capacity	Up to 125 feet (38 m) of 5/8 in. (1.6 cm) hose
Material	Heavy gauge solid steel construction + brass spigot
Weight	9.9 lbs (4.5 kg)
Fits standard garden hose	

Unpacking

Carton Contents

- Top and bottom posts
- S-type nut
- M6x50 screw
- Hose holder
- Manuals + Registration card

1. Carefully remove the steel garden hose holder and check to see that all of the above items are supplied.
2. Inspect the product carefully to make sure no breakage or damage occurred during shipping. If you find damaged or missing parts, DO NOT return the unit to the store. Please call the Snow Joe® + Sun Joe® customer service center at 1-866-SNOWJOE (1-866-766-9563).

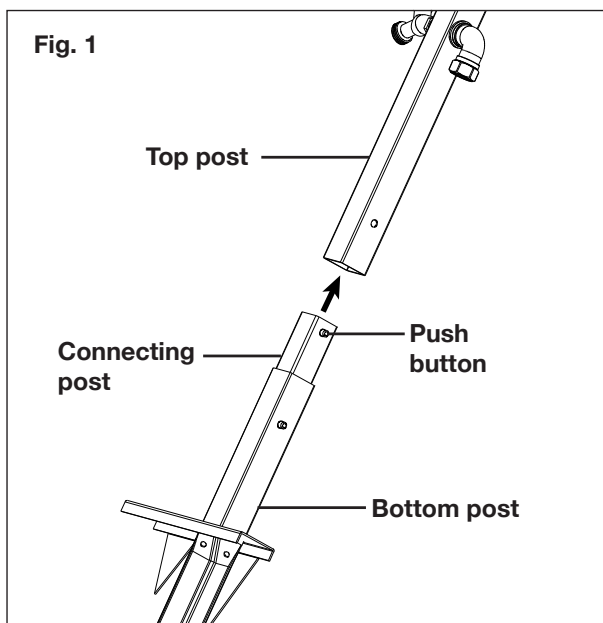
NOTE: Do not discard the shipping carton and packaging material until you are ready to use the steel garden hose holder. The packaging is made of recyclable materials. Properly dispose of these materials in accordance with local regulations.

IMPORTANT! The equipment and packaging material are not toys. Do not let children play with plastic bags, foils or small parts. These items can be swallowed and pose a suffocation risk!

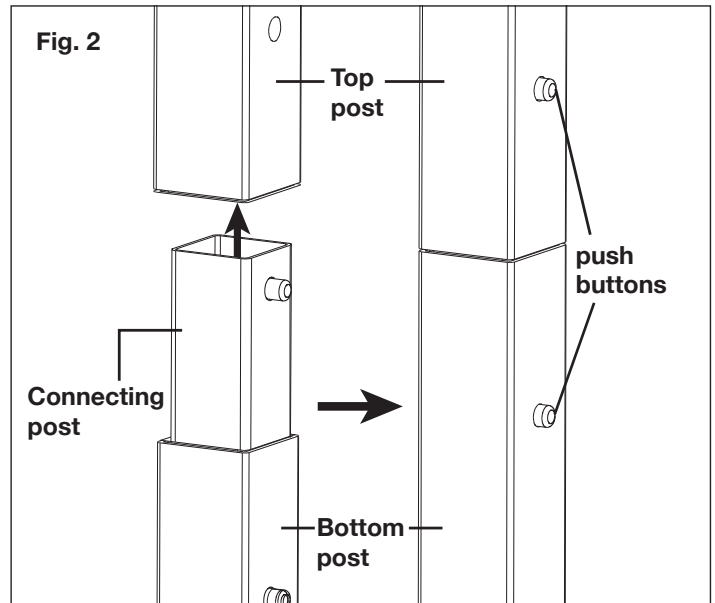
Assembly

⚠WARNING! To avoid serious personal injury, read and understand all safety instructions provided.

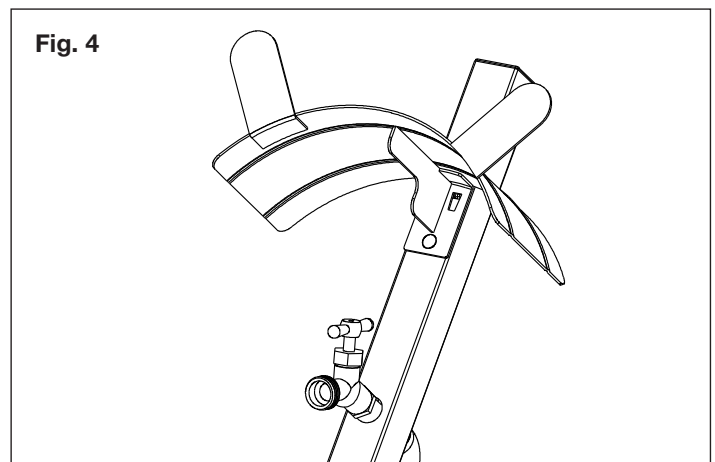
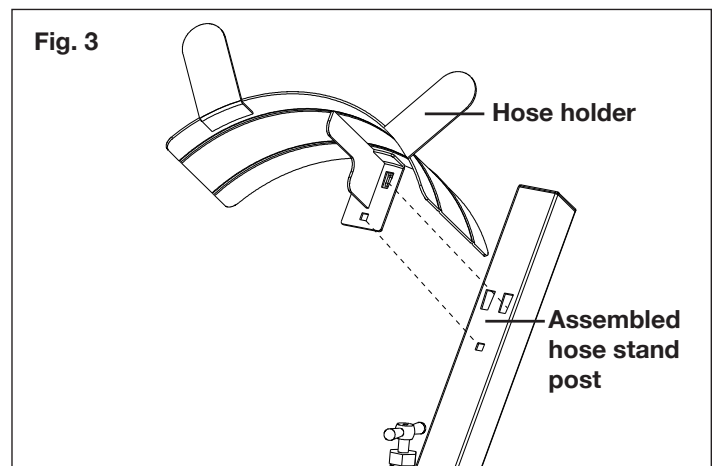
1. To assemble the hose stand post, take the top and bottom post and fit together by sliding the top post over the connecting post. Depress the push button on the connecting post enough to slide into the top post (Fig. 1).



2. Slide the top post over the connecting post until the push button locks into place in its respective hole on the top post (Fig. 2).



3. Insert the hose holder into the corresponding holes on the assembled hose stand post (Fig. 3 and Fig. 4).



- Using the M6x50 screw and s-type nut, secure the hose holder in place (Fig. 5).

Service + Support

If your Aqua Joe® SJ-SHSBB-TAN-RM steel garden hose holder requires service or maintenance, please call Snow Joe® + Sun Joe® customer service at 1-866-SNOWJOE (1-866-766-9563) for assistance.

Model + Serial Numbers

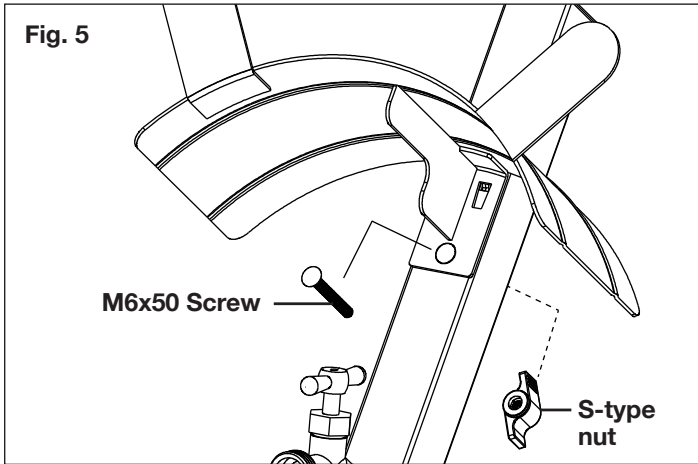
When contacting the company or arranging service from an authorized dealer, you will need to provide the model and serial numbers, which can be found on the decal located on the steel garden hose holder. Copy these numbers into the space provided below.

Record the following numbers from your new product:

Model #:

S | J | - | S | H | S | B | B | - | T | A | N | - | R | M |

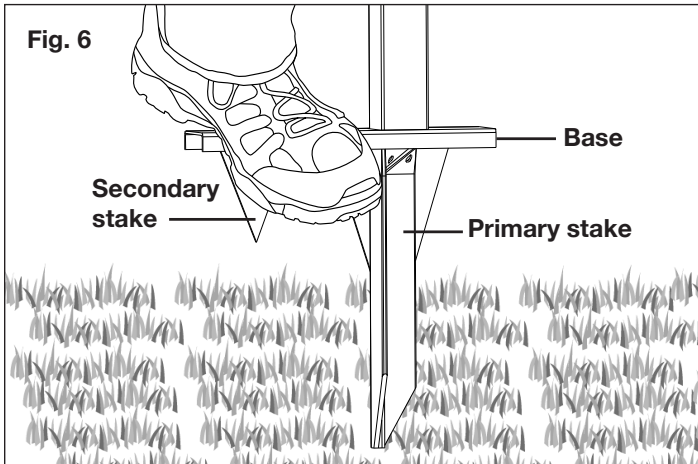
Serial #:



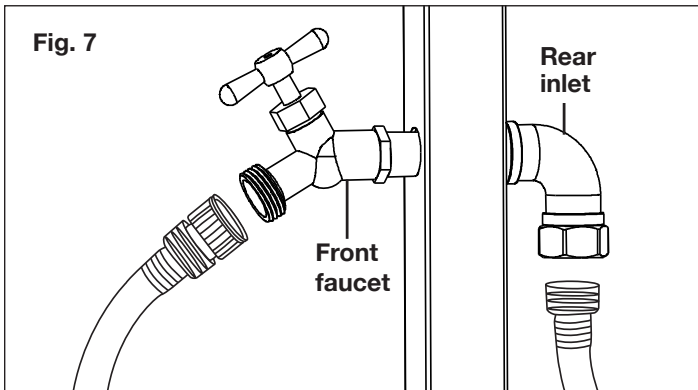
Operation

- Wearing work boots or other appropriate close-toed shoes, firmly step down on the base and push the primary and secondary stakes completely into the ground (Fig. 6). Make sure your steel garden hose holder is secure before use.

⚠️ WARNING! Do not install your steel garden hose holder in soft ground or mulch.



- Connect your water source to the rear inlet (Fig. 7).
- Connect your hose to the front faucet (Fig. 7).





SNOW JOE® + SUN JOE® REFURBISHED GOODS WARRANTY

GENERAL CONDITIONS:

Snow Joe® + Sun Joe® operating under Snow Joe®, LLC warrants this refurbished product to the original purchaser for 90 days against defects in material or workmanship when used for normal residential purposes. If a replacement part or product is needed, it will be sent free of charge to the original purchaser except as noted below.

The duration of this warranty applies only if the product is put to personal use around the household. It is the owner's responsibility to correctly perform all maintenance and minor adjustments explained in the owner's manual.

HOW TO OBTAIN YOUR REPLACEMENT PART OR PRODUCT:

To obtain a replacement part or product, please visit snowjoe.com/help or email us at help@snowjoe.com for instructions. Please be sure to register your unit beforehand to speed up this process. Certain products may require a serial number, typically found on the decal affixed to the housing or guard of your product. All products require a valid proof of purchase.

EXCLUSIONS:

- Wearing parts like belts, augers, chains and tines are not covered under this warranty. Wearing parts can be purchased at snowjoe.com or by calling 1-866-SNOWJOE (1-866-766-9563).
- Batteries are covered in full for 90-days from the date of purchase.

Snow Joe® + Sun Joe® may from time to time change the design of its products. Nothing contained in this warranty shall be construed as obligating Snow Joe® + Sun Joe® to incorporate such design changes into previously manufactured products, nor shall such changes be construed as an admission that previous designs were defective.

This warranty is intended to cover product defects only. Snow Joe®, LLC is not liable for indirect, incidental or consequential damages in connection with the use or misuse of the Snow Joe® + Sun Joe® products covered by this warranty. This warranty does not cover any cost or expense incurred by the purchaser in providing substitute equipment or service during reasonable periods of malfunction or non-use of this product while waiting for a replacement part or unit under this warranty. Some states do not allow exclusions of incidental or consequential damages so the above exclusions may not apply in all states. This warranty may give you specific legal rights in your state.

HOW TO REACH US:

We're here to help Monday through Friday from 9AM to 7PM EST and Saturday and Sunday 9AM to 4PM. You can reach us at 1-866-SNOWJOE (1 866-766-9563), online at snowjoe.com, via email at help@snowjoe.com or tweet us @snowjoe.

EXPORTS:

Customers who have purchased Snow Joe® + Sun Joe® products exported from the United States and Canada should contact their Snow Joe® + Sun Joe® distributor (dealer) to obtain information applicable to your country, province or state. If for any reason, you are not satisfied with the distributor's service, or if you have difficulty obtaining warranty information, contact your Snow Joe® + Sun Joe® seller. If in the event your efforts are unsatisfactory, please reach out to us directly.



sunjoe.com