



# ELECTRIC SNOW THROWER

18-INCH | 15-AMP

## OPERATOR'S MANUAL

A Division of Snow Joe®, LLC

Model SJ622E/SJ623E

Form No. SJ-SJ622E/SJ623E-880E-MR6


## IMPORTANT! Safety Instructions

### All Operators Must Read These Instructions Before Use

Any electrical appliance can be dangerous if used incorrectly. Some of the safety precautions given in this manual apply generally to many appliances. Other warnings are specific to the use of this snow thrower. Keep this manual for future reference.

### General Safety WARNINGS!

You and any other operator of this snow thrower must read, understand, and follow these instructions in their entirety, and should reread them at the start of each snow season. Failure to follow these instructions may result in ELECTRIC SHOCK, FIRE, and/or serious PERSONAL INJURY.


Notice the personal safety alert symbol  used in this manual to draw your attention to a WARNING given along with the particular operating instruction. This means that the operation requires special ATTENTION, CAUTION, and AWARENESS.

### Work area safety

1. **Keep work area clean and well lit.** Cluttered, dark areas invite accidents.
2. **Do not operate the snow thrower in an explosive atmosphere,** such as in the presence of flammable liquids, gases, or dust. Electrical appliances create sparks that may ignite the dust or fumes.
3. **Keep children, pets, and bystanders away from the work area.** Be aware that the normal noise of the machine when turned on may make it difficult for you to hear approaching people. Spectators should wear safety glasses and be kept a safe distance away from the work area. Do not let spectators touch the snow thrower or the extension cord.

### Electrical Safety

1. **Electrical plugs must match the outlet.** Never modify the plug in any way. Do not use any adapter plugs with grounded appliances. Unmodified plugs and matching outlets will reduce the risk of electric shock.

2. **Avoid body contact with earthed or grounded surfaces** (i.e. upper and lower water pipes, radiators, ranges, refrigerators, microwave ovens, and outer frames of heating equipment). Take necessary precautions to avoid electric shock. There is an increased risk of electric shock if your body is earthed or grounded.
3. **Do not abuse the cord.** Keep cord away from heat, oil, sharp edges, or moving parts. Never carry the snow thrower by its cord or yank the cord to disconnect it from the electrical outlet. Damaged or entangled cords increase the risk of electric shock.
4. **Replace or properly repair damaged cords.** If the cord becomes damaged in any manner while plugged into the wall receptacle, immediately pull the extension cord plug from the receptacle.
5. **Contact with water while operating the snow thrower can result in electric shock and serious bodily injury.** Do not use the snow thrower in damp or wet locations or expose to rain. Do not handle the plug or the appliance with wet hands or while standing in water.
6. ** WARNING – Only use a UL-rated extension cord for OUTDOOR, all-weather use.** To prevent the extension cord from disconnecting during operation, refer to Fig. 12 (p. 8).
7. **Turn off the power switch and disconnect the power cable before making any adjustments to the unit and before inspecting, servicing, changing accessories, or cleaning the snow thrower. Follow the same procedure if any other dangerous conditions present during operation.** Any adjustments to the unit should be performed after revolving parts inside the snow thrower stop completely. Such preventative safety measures reduce the risk of starting the power tool accidentally.
8. **If you find the main power cable or the extension cable damaged, please pull out the plug from the socket and disconnect the power immediately.** Repair the cable or replace it if necessary.
9. **When replacing any parts, you must strictly observe the instructions and procedures described in this operator's manual.** Special care should be paid to any rubber parts, since these parts may increase the engine load and decrease its mechanical power if damaged.
10. **Do not move or transport the snow thrower when the plug is connected to the power socket and the switch is turned on.**

- 11. If, during use, you notice that the unit runs unstably or hear abnormal sounds from the engine, stop the machine, disconnect the power immediately, and contact an authorized Snow Joe® + Sun Joe® dealer or the Snow Joe® + Sun Joe® customer service center at 1-866-SNOWJOE (1-866-766-9563).**

## Personal Safety

- 1. Stay alert** – Watch what you are doing and use common sense when operating the snow thrower. Do not use the machine when tired, ill, or under the influence of drugs, alcohol, or medication. A moment of inattention may result in serious personal injury.
- 2. Wear proper clothing** – Wearing rubber boots offers additional protection from electric shock. Do not wear loose clothing or jewelry that may become caught in the machine. Wear protective headgear to keep hair away from revolving parts of the machine. Safety glasses offer better protection than everyday eyeglasses.
- 3. Moving parts present risks** – Keep your face, hair, clothing, hands, and feet away from moving parts. All guards and safety attachments must be installed properly before using the unit. Shut off and disconnect the cord before touching any parts other than the handles and the switch.
- 4. Surfaces** – This snow thrower is intended for use on paved surfaces. Do not use on gravel, stone, or other unpaved surfaces unless the snow thrower is adjusted for such surfaces according to the instructions given in this operator's manual.
- 5. Avoid accidental starting** – Make sure the switch is in the off position before plugging in the unit. Do not carry the snow thrower with your finger on the switch.
- 6. Body position** – Maintain proper footing and balance at all times. Place heels firmly on the ground and tightly grasp the handle bar. Watch for uneven surfaces and do not overreach. In case you fall or collide with the snow thrower, inspect the unit for any damages or cracks. When stepping backwards, be careful to avoid obstacles beneath your feet or behind you to avoid falling.
- 7. If the snow thrower strikes any object, immediately stop the snow thrower, then inspect for damage** – Repair any damage before restarting and operating the snow thrower.

## Safety Instructions for Walk-Behind Snow Throwers

- **Read the operator's manual carefully** – Learn your snow thrower's applications and limitations as well as the specific potential hazards related to this machine. Do not use this machine for any purpose other than the one for which it was designed. Otherwise, it may cause mechanical defaults, serious damage, or personal injury.
- **Preliminary unit inspection** – Thoroughly inspect the unit before use. Make sure all the parts are secure and installed correctly. If you notice any abnormalities, do not use the machine until it has been properly repaired.

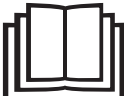














Always perform a test run the first time you use the snow thrower or after replacing parts to ensure that the unit is functioning properly.

- **Preliminary area inspection** – Clear the area to be plowed before each use. Remove all objects, such as rocks, broken glass, nails, wire, or string, which can be thrown by or become entangled in the snow thrower. Keep the area of operation clear of all spectators, particularly children and pets.
- **Excessive force** – The snow thrower was designed to respond at a certain rate for various snow conditions for optimum safety and performance. Do not force it; keep pressure constant.
- **Malfunctioning switch** – Do not use the snow thrower if the switch does not turn it on and off. Any electrical appliance that cannot be controlled by the switch is not safe to use and must be repaired.
- **Hitting an object** – If the snow thrower accidentally strikes an object, follow these steps:
  - i) Stop the snow thrower and unplug the unit
  - ii) Inspect for damage
  - iii) Repair or replace any damaged part before restarting and operating the snow thrower.
- **Discharge chute safety** – Never direct the snow discharge chute at the operator, at bystanders, at vehicles, or at windows. The discharged snow stream and foreign objects accidentally picked up by the snow thrower can cause serious damage and personal injury. Do not use your hands to unclog the discharge chute. Stop the motor before removing debris.
- **Hand-held operating position** – Operation of the snow thrower in the hand-held position is unsafe.
- **Abnormal operation** – If you notice the snow thrower running in an unstable state or hear abnormal sounds from the engine, immediately stop the machine, disconnect the power, and contact an authorized Snow Joe® + Sun Joe® dealer or the Snow Joe® + Sun Joe® customer service center at 1-866-SNOWJOE (1-866-766-9563).
- **Noise control** – When using the snow thrower, you must respect local laws and regulations regarding noise control and environmental protection. To avoid noise disturbance, you should carefully decide upon an appropriate operation time and consider the surrounding conditions.
- **When work is completed** – Disconnect the snow thrower from the power source when not in use, when changing accessories, and before performing any maintenance function.
- **Store safely** – Store the snow thrower indoors in a dry area between uses. Keep it in a locked area, where children and unauthorized users cannot gain access. Do not store the machine while it is still connected to the power source as this may result in damage and injury.

- **Maintain for safety and longevity** – Check for misalignment or binding of moving parts, breakage of parts, and any other conditions that may affect the unit's operation. If damaged, repair or replace the damaged part before use. Use only original replacement parts designed specifically for your model. When replacing any parts, you must strictly observe the instructions and procedures described in this manual. Special care should be paid to any rubber parts, since these parts may increase the engine load and decrease its mechanical power if damaged. Always check that all bolts, nuts, and knobs are tight before using the snow thrower!

# Safety Symbols

The following table describes safety symbols that may appear on this product. Read, understand, and follow all instructions on the machine before attempting to assemble and operate.

Symbols	Descriptions	Symbols	Descriptions
	<b>READ THE OPERATOR'S MANUAL(S)</b> – Read, understand, and follow all instructions in the user manual(s) before attempting to assemble and operate.		Disconnect the plug before conducting maintenance or when it is damaged or tangled.
	<b>SAFETY ALERT</b> – Indicates a precaution, a warning, or a danger.		It is obligatory at all times to wear goggles or a visor to protect the eyes and face.
	Beware of stones and other objects that could be thrown from the appliance. Keep all bystanders and domestic animals a safe distance away from the work area.		Keep the flexible power supply cord away from the cutting blades.
	<b>WARNING!</b> Do not expose the unit to rain or wet conditions. Keep dry.		Always keep the power cable away from heat sources, oils, or sharp edges. Immediately remove plug from the mains if the cable is damaged or entangled.
	Wear safety gloves during use to protect hands.		Wear safety footwear at all times to provide protection against objects that may accidentally fall on feet.
	Keep hands and feet away from the rotating parts.		Keep hands away from the moving parts of the snow thrower. The rotating parts can cause severe bodily injury.
	Keep feet away from the moving parts of the snow thrower. The rotating parts can cause severe bodily injury.		The rotating part will continuously run for several seconds after you turn off the machine.
	Double insulation.		

**NOTE:** The only difference between the SJ622E and SJ623E models is the halogen light system.

# Know Your Electric Snow Thrower

Read the owner's manual and safety rules carefully before operating your electric snow thrower. Compare the illustration below to the actual unit in order to familiarize yourself with the location of the various controls and adjustments. Save this manual for future reference.

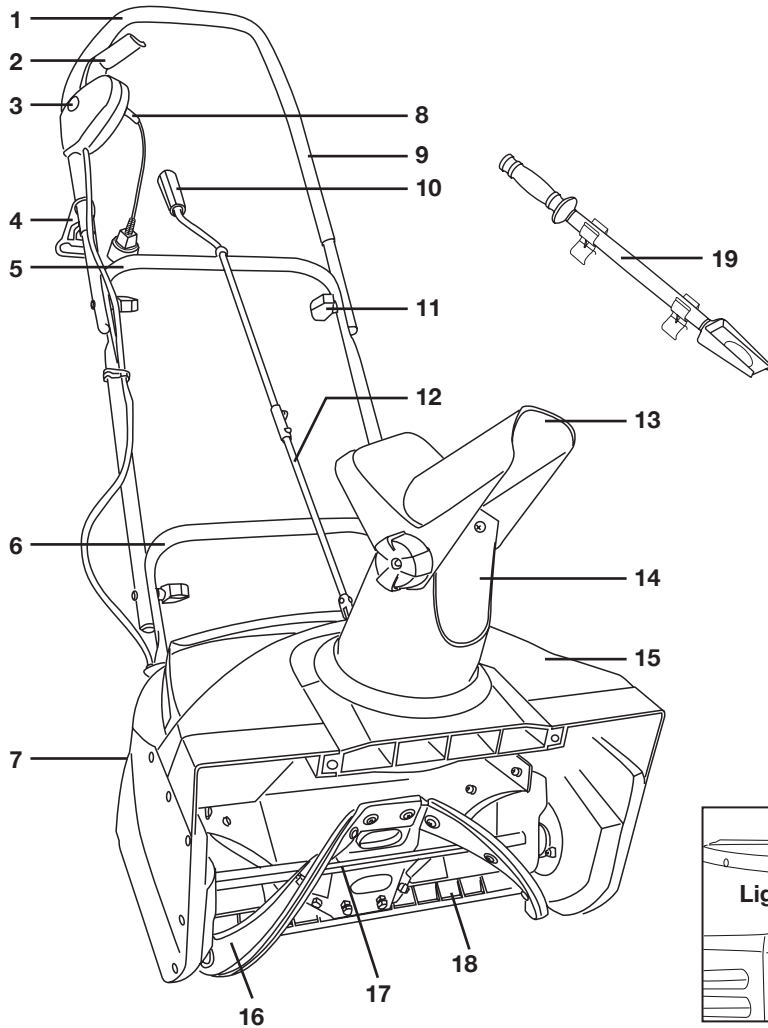


Figure 1-1 (Model SJ622E)

1. Handle bar
2. ON/OFF switch lever
3. Safety switch button
4. Extension cord restraint hook
5. Middle frame
6. Lower frame
7. Wheels (located at the back of the machine)
8. Appliance cord
9. Upper handle
10. Upper crank rod
11. Joint fixing T-Bolt and knob (4 pcs)
12. Lower crank rod
13. Chute deflector
14. Discharge chute
15. Main cover
16. Rubber-tipped steel plates
17. Auger
18. Scraper bar
19. Chute clean-out tool

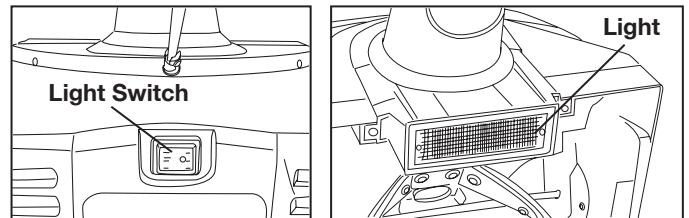


Figure 1-2 (Model SJ623E with 20 W Halogen Light)

## Technical Data

Rated Voltage..... 120 V ~ 60 Hz  
 Power ..... 15 A  
 Light (Model SJ623E only)..... 12 V, 20 W halogen  
 No Load Speed ..... 2450 rpm  
 Clearing Width..... 18 in. (46 cm)  
 Clearing Depth ..... 10 in. (25.4 cm)

Throw Distance Max..... 25 ft (7.6 m)  
 Plowing Capacity Max..... 21.6 tons/hr  
 (19.6 metric tons/hr)  
 Directional Control..... 180° adjustable chute  
 Rotor..... 4 rubber-tipped steel blades  
 Weight (SJ622E) ..... 32.4 lbs (14.7 kg)  
 Weight (SJ623E with light)..... 33.7 lbs (15.3 kg)

# Assembly



## CAUTION



Inspect wiring, which, if damaged during shipping, may cause serious bodily injury during equipment use. If any damage is seen or suspected, do not assemble. Instead, contact the Snow Joe® + Sun Joe® customer service center at 1-866-SNOWJOE (1-866-766-9563) for assistance.

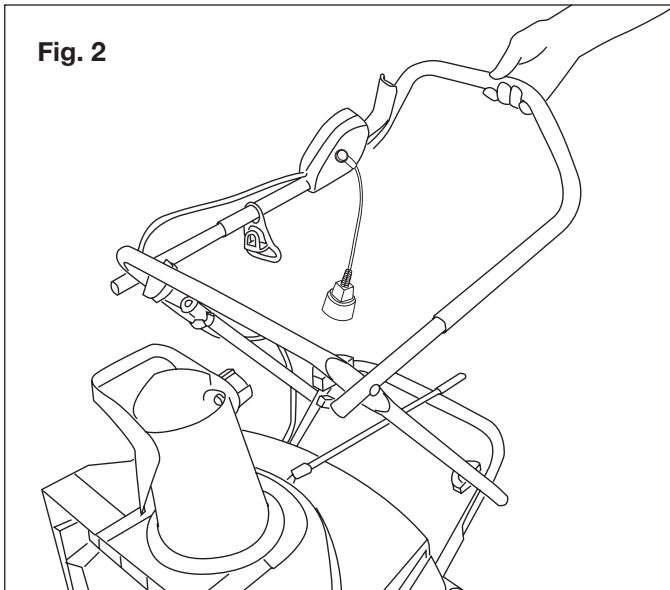
Handle with care during assembly so that electrical wiring does not become damaged.

## Getting Started

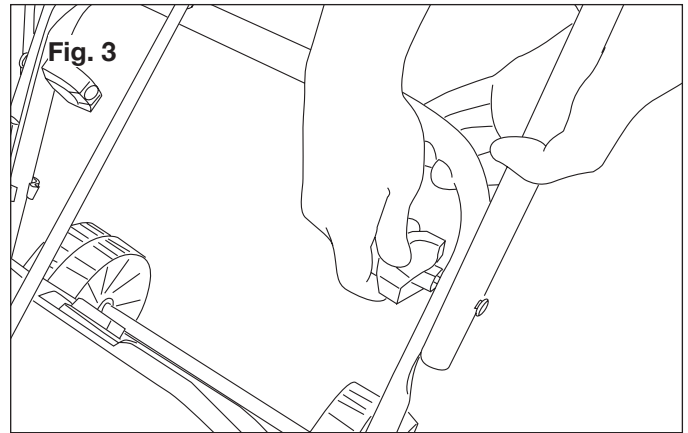
1. Remove the snow thrower and all other items from the box.
2. Determine the left and right hand side of the snow thrower by standing in the normal operating position.
3. Check all items for shipping damage. If damage is found or suspected or if any of the parts are missing, do not assemble. Instead, promptly inform the dealer where you bought the snow thrower or contact the Snow Joe® + Sun Joe® customer service center at 1-866-SNOWJOE (1-866-766-9563) for assistance.
4. Check to make sure the upper chute crank is included.

## Upper, Middle + Lower Frame Assembly

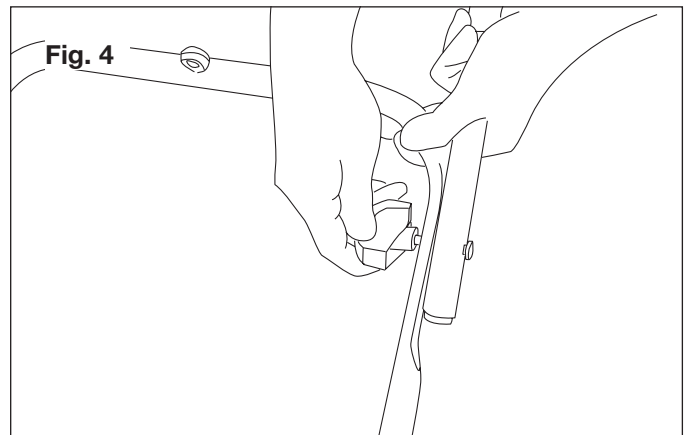
1. For easy assembly, the unit comes complete with most parts already connected. To complete the handle assembly, simply pull the middle frame back and pull the upper frame up (Fig. 2).



2. Secure the connection of the lower frame to the middle frame by fastening the first set of joint fixing T-bolts and knobs on each side (Fig. 3).

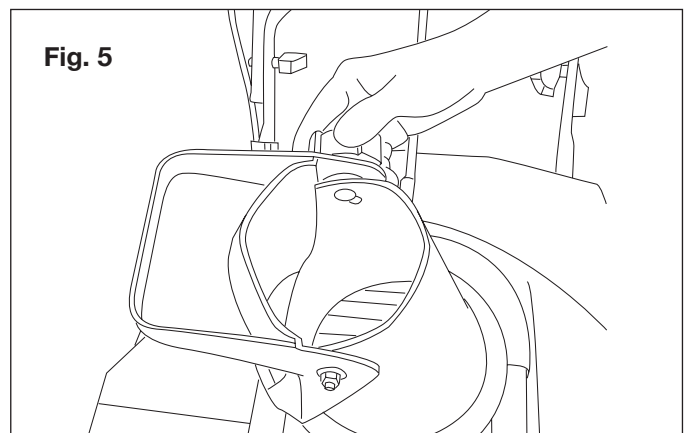


3. Secure the connection of the middle frame to the upper frame by fastening the second set of joint fixing T-bolts and knobs on each side (Fig. 4).



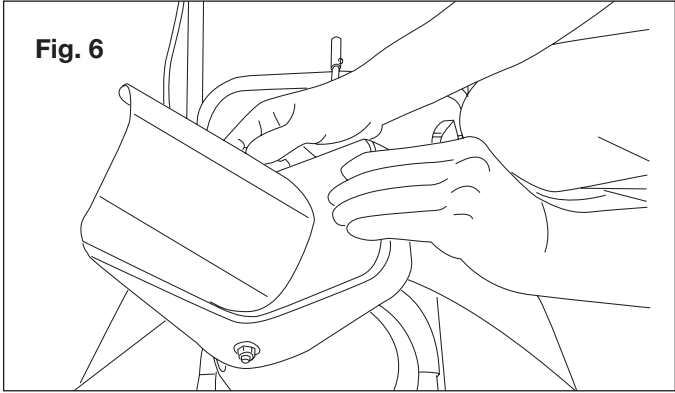
## Discharge Chute Assembly

1. Loosen the knob to lift the chute deflector (Fig. 5).



2. Lift the chute deflector and lock it securely onto the discharge chute (Fig. 6).

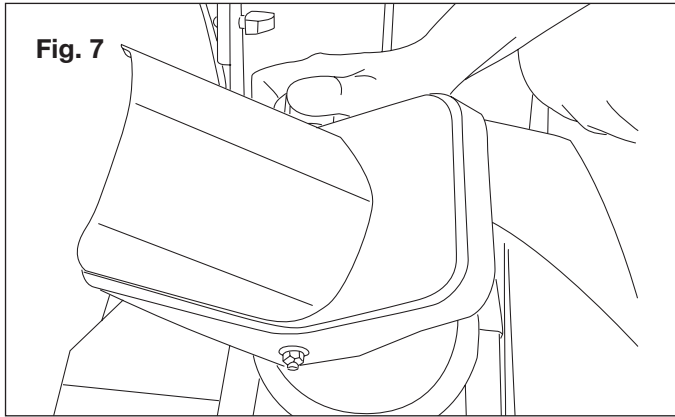




**Fig. 6**

3. Raise or lower the chute deflector to the desired height of the snow stream and tighten the knob (Fig. 7).

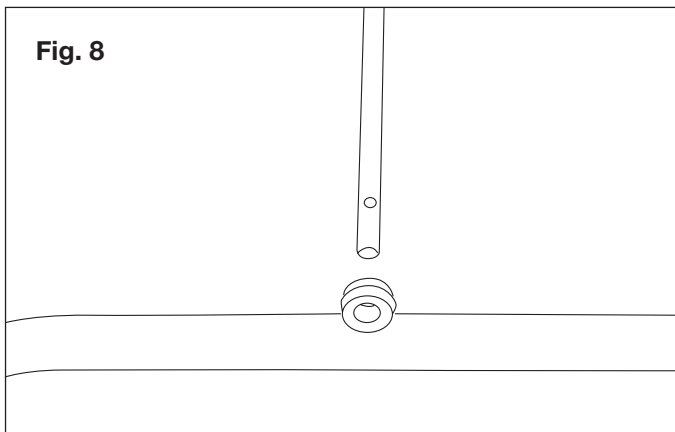
**NOTE:** Do not overtighten the knob.



**Fig. 7**

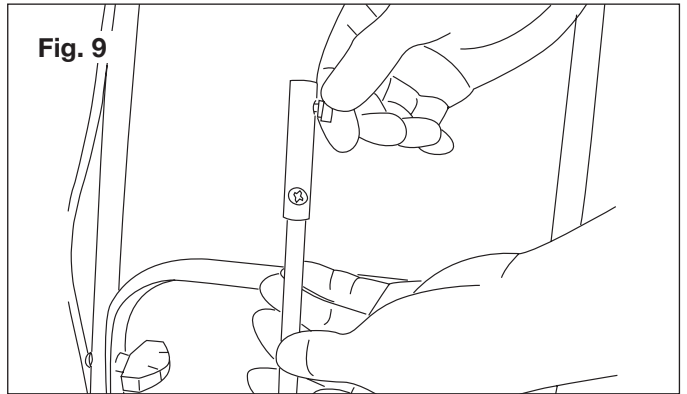
### Chute Crank Assembly

1. Slide the upper chute crank through the rubber ring located on the middle frame (Fig. 8).



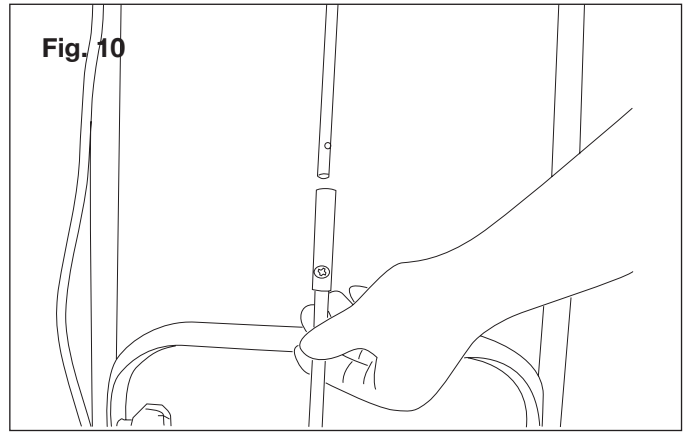
**Fig. 8**

2. Loosen the screw on the lower chute crank by hand (Fig. 9).



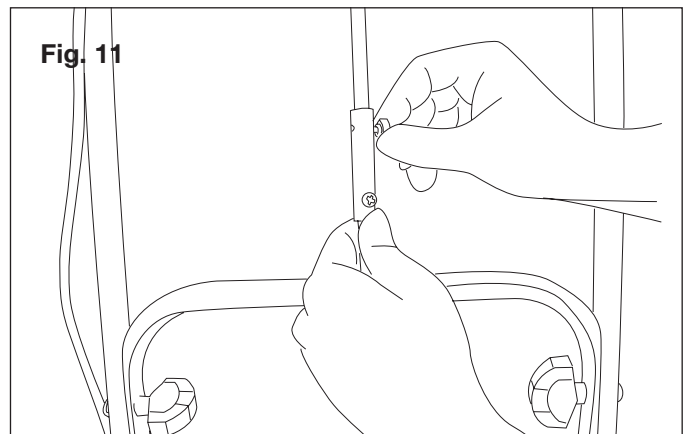
**Fig. 9**

3. Slide the upper chute crank into the lower chute crank (Fig. 10).



**Fig. 10**

4. Align the screw holes and tighten the screw by hand (Fig. 11).



**Fig. 11**

# Operation

**NOTE:** Before using this machine, make sure that the power source you will use complies with the specifications detailed in this manual. Before inserting the plug into the socket, verify that the snow thrower's roll shaft and rubber plates are firmly secured with screws, and that the rubber plates are facing the correct direction. Perform a test run to ensure that the rotor turns freely.

## Securing the Extension Cord

1. For safe and efficient use of your snow thrower, use only a UL-rated extension cord recommended for outdoor use. Refer to the **Extension Cord Chart** that follows.

⚠ **WARNING!** ⚠

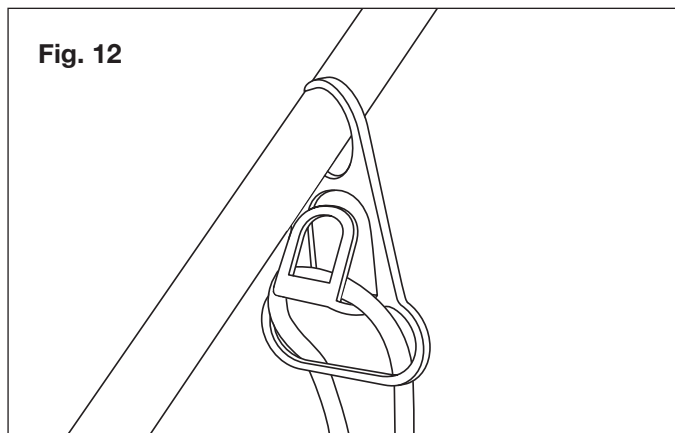
**Electric shock may cause SEVERE INJURY or DEATH. Heed these warnings:**

- Do not allow any part of snow thrower to make contact with water while powered on. If the appliance becomes wet while turned off, wipe dry before starting.
- Use only a UL-, CSA-, or ETL-rated extension cord for outdoor, all-weather use. Do not use an extension cord over 100 ft (30 m).
- Do not touch the appliance or its plug with wet hands or while standing in water. Wearing rubber boots offers some protection.

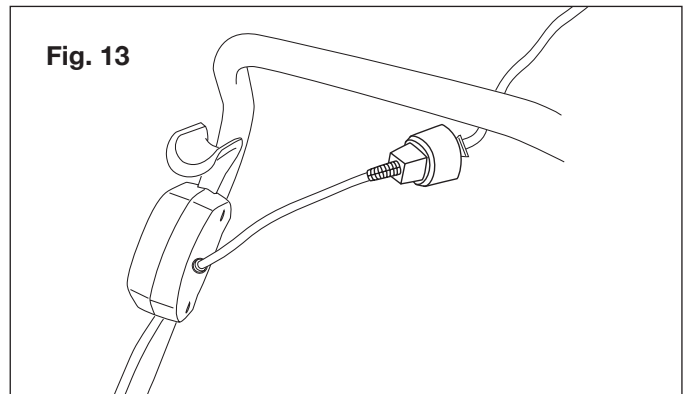
**EXTENSION CORD CHART**

Cord Length:	Up to 50 ft (15 m)	+50 ft - 100 ft (+15 m - 30 m)
Min. Wire Gauge (A.W.G.):	14	12

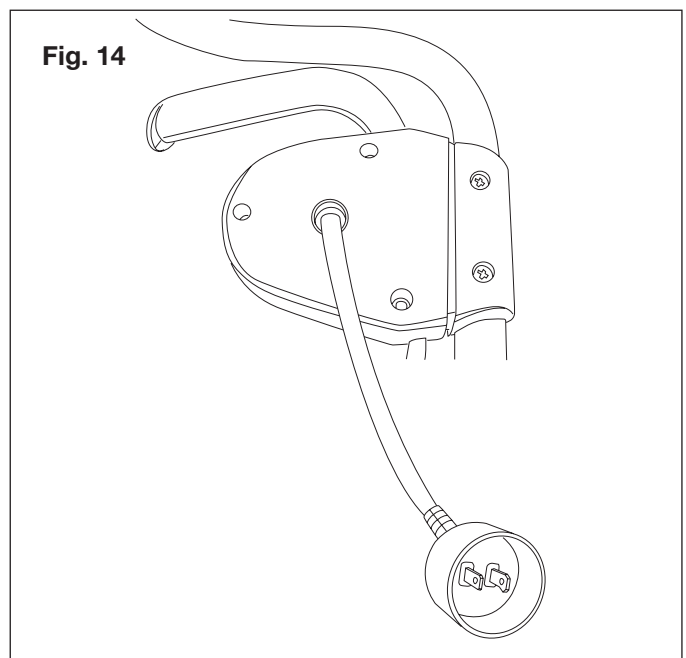
2. Push the loop of the extension cord through the slot from the opposite side of the restraint hook. Position the loop over the hook and pull the cable back through the slot (Fig. 12).



3. Insert the female end of the extension cord into the appliance's polarized male plug (Fig. 13).



4. Note that the snow thrower has a polarized male plug – one prong in the plug is slightly longer and wider than the other (Fig. 14). The extension cord female end should be likewise polarized so that the extension cord fits snugly into the appliance plug.



⚠ **WARNING** ⚠

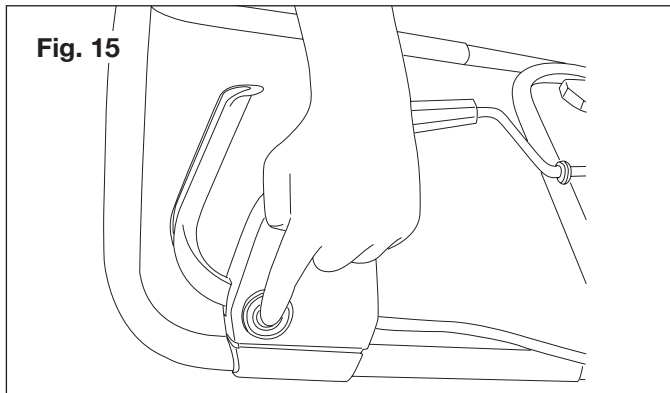
**Damaged electrical cords present risk of fire, electrical shock, and serious bodily injury.**

Before operating the snow thrower, carefully examine the electrical cord. If the cord is damaged, do not use the snow thrower. Replace or repair the damaged cord immediately. If you need assistance, contact an authorized Snow Joe® + Sun Joe® dealer or the Snow Joe® + Sun Joe® customer service center at 1-866-SNOWJOE (1-866-766-9563).

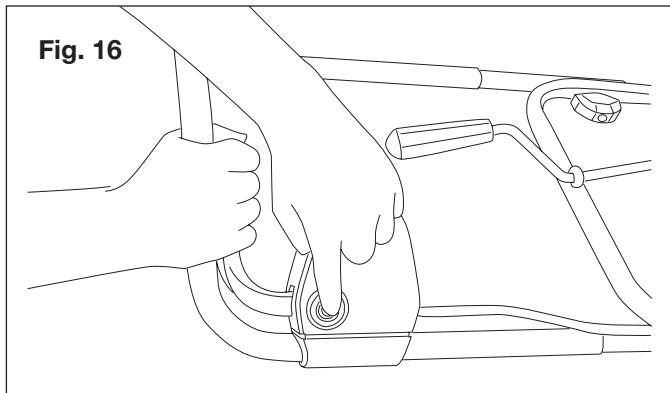


## Powering On + Off

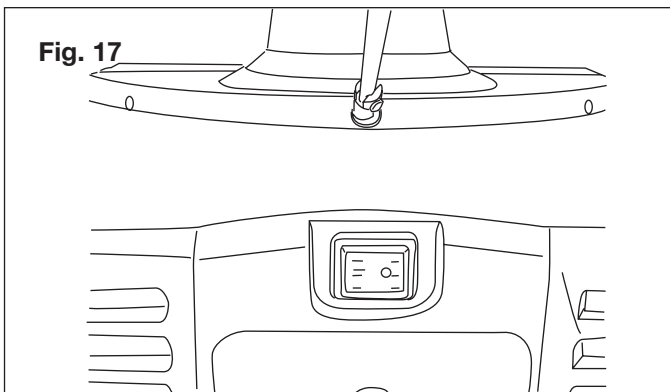
1. To power on, depress and hold the safety switch button found alongside the switch housing (Fig. 15).



2. While depressing the safety switch button, pull the ON/OFF switch lever toward you. Once the machine powers on, release the safety switch button and begin operation (Fig. 16). The machine can only be started by depressing the safety switch button first, followed by squeezing the ON/OFF switch lever; reverse operation will not start the machine.



3. To power off, release your grip on the ON/OFF switch lever.
4. On the SJ623E model, the halogen light can be used to illuminate the forward road in the dark. To use the light, turn on the light switch located on the back side of the snow thrower (Fig. 17).



**NOTE:** The light will only turn ON when the snow thrower is running. After finishing your work session, REMEMBER to TURN OFF the light switch.

## Moving the Machine + Plowing the Snow



### WARNING



Foreign objects, such as rocks, broken glass, nails, wire, or string, can be picked up and thrown by the snow thrower, causing serious personal injury.

Remove all foreign objects from the area to be plowed before operating the snow thrower.

1. Keep the area of operation free of foreign objects that can become thrown by the rotor blades. Perform a thorough inspection of the area since some objects may be hidden from view by surrounding snow. If the snow thrower hits an obstruction or picks up a foreign object during use, stop the snow thrower, disconnect the extension cord, remove the obstruction, and inspect the unit for damage. Repair or replace any damaged part before restarting and operating the unit.
2. Keep children, pets, and bystanders away from the area of operation. Be aware that the normal noise of the machine when turned on may make it difficult for you to hear approaching people.
3. When moving the snow thrower, use the wheels on one side as the pivot point. Slightly tilt the snow thrower on this pivot point to move it forward or backward.
4. Start your clearing path near the electrical outlet and work outward, throwing snow in a back and forth motion. To clear in the opposite direction, step over the cord and pivot the snow thrower on its wheels. Make sure to overlap clearing paths.
5. Note the wind direction. If possible, move in the same direction as the wind so that the snow is not thrown against the wind (and thus back into your face and onto the just cleared path).
6. While moving the snow thrower, do not drag the power cable violently or roughly. The snow thrower should move within the range that the cable can reach.
7. Do not push the snow thrower with excessive force. You should push the machine gently and evenly in accordance with the unit's throw rate.
8. Do not apply additional man-made load to the engine since this may cause engine damage.

9. Some parts of the snow thrower may freeze under extreme temperature conditions. Do not attempt to operate the snow thrower with frozen parts. If the parts freeze while the snow thrower is in use, stop the snow thrower, unplug the extension cord, and inspect for frozen parts. Free all parts before restarting or operating the snow thrower. Never force controls that have frozen.
10. When working on pebbles, gravel, or unpaved surfaces, avoid throwing loose surface material along with the snow by pushing down on the handle to raise the scraper bar at the base of the unit above the pebbles or gravel.

## Changing Throw Direction + Throw Height



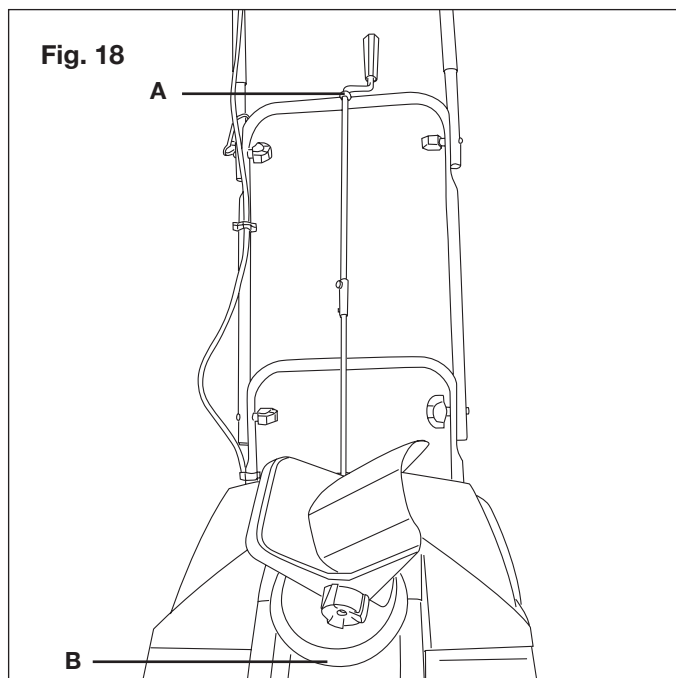
### WARNING



Never direct the snow discharge chute at the operator, at bystanders, at vehicles, or at nearby windows. The discharged snow and foreign objects accidentally picked up by the snow thrower can cause serious damage and personal injury.

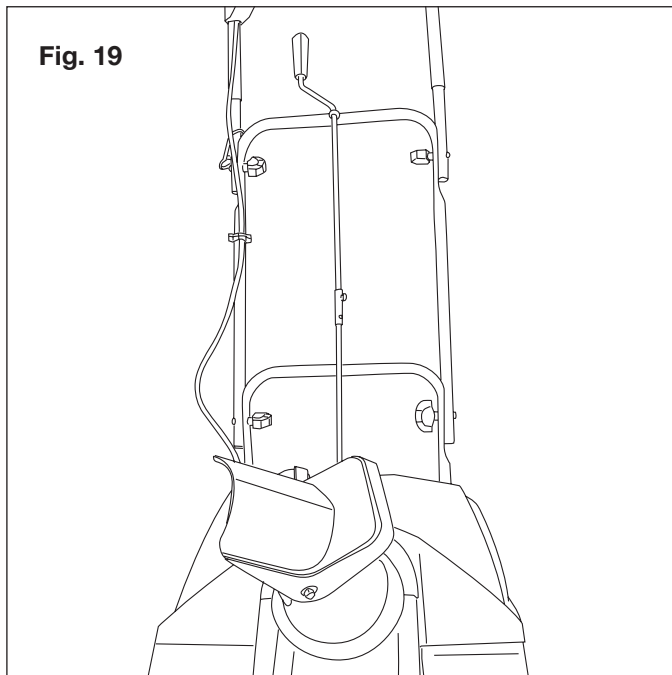
Always orient the discharge chute in the opposite direction from where you, bystanders, surrounding vehicles, or windows are located.

1. The discharge chute can be adjusted 180 degrees by rotating the chute crank. Rotate the chute control crank clockwise to move the discharge chute to the left (Fig.18) and counterclockwise to move the chute to the right (Fig.19).



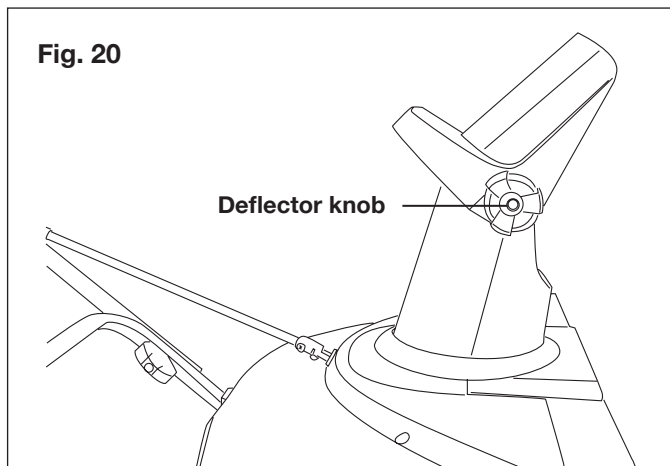
**NOTE:** A little lubricant, such as WD-40, will provide a smoother operation of the chute (spray at points A and B as indicated in Fig. 18).

Fig. 19



2. The chute deflector on the top of the discharge chute controls the height of the snow stream. Loosen the knob to raise or lower the deflector to the desired height of snow you wish to throw. Tighten the knob to secure the deflector (Fig. 20).

Fig. 20





## WARNING



Make sure that the chute deflector snaps and locks completely onto the discharge chute. An opening between the discharge chute and the chute deflector may allow foreign objects to be picked up by the snow thrower and thrown in the direction of the operator causing serious bodily injury.

- Do not advance the chute deflector too far forward causing an opening to appear between the deflector and discharge chute.
- Do not overtighten the knobs on the chute deflector (Fig. 20).

## Maintenance



## WARNING



Make sure to turn off the switch and disconnect the extension cord before performing any maintenance task on your snow thrower.

## Lifetime Lubrication (Motor + Auger)

Lubrication is not necessary and may damage the unit. The snow thrower is lubricated for lifetime use at the factory before shipment.

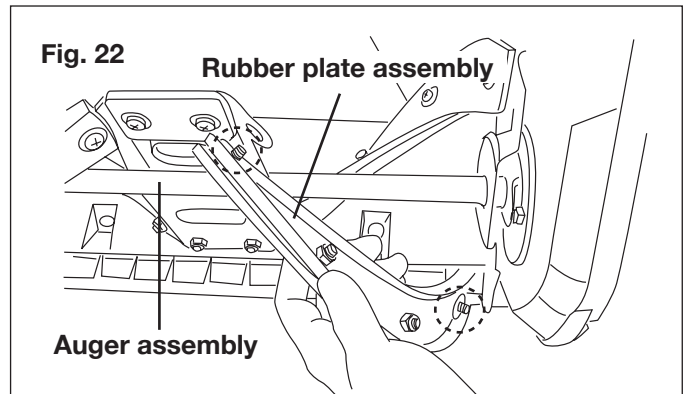
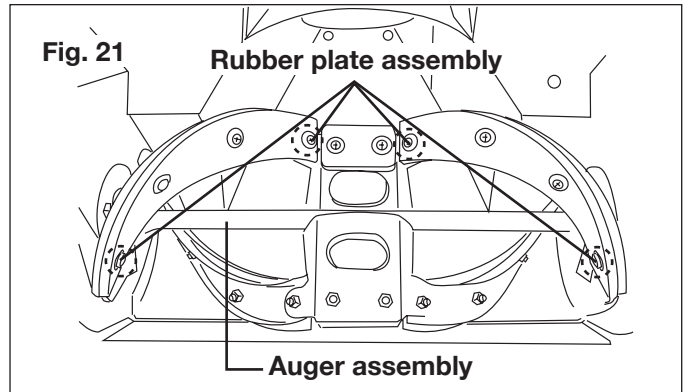
## General Maintenance Tips

1. Do not attempt to repair the machine unless you have the proper tools and instructions for disassembly and repair of the machine.
2. Check bolts and screws at frequent intervals for proper tightness to ensure that the equipment is in safe working condition.
3. After each snow removal session, run the snow thrower for a few minutes to prevent the collector/impeller from freezing. Shut off the motor, wait for all revolving parts to stop completely, and wipe residual ice and snow off the unit. Rotate the chute crank several times to remove any excess snow.

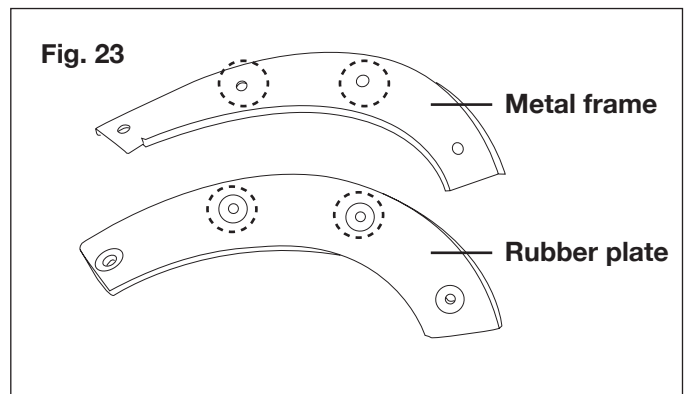
## Replacing the Rubber Plates

**NOTE:** When replacing worn rubber plates, pay close attention to carefully distinguish between the coarse and smooth side of the plates. Place the coarse side inside and the smooth side outside.

1. Detach the worn rubber plate assembly by removing the two sets of nuts and bolts used to secure it to the auger assembly (Figs. 21 & 22).



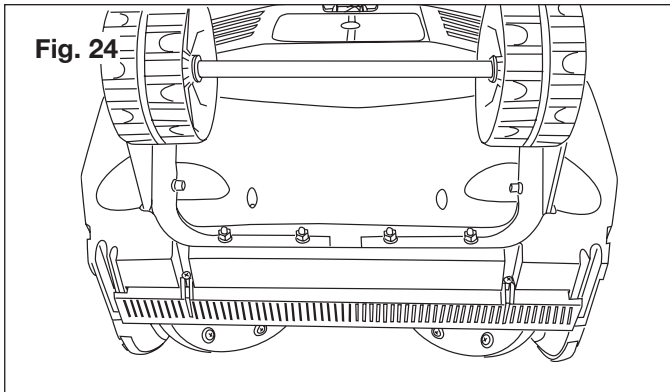
2. Loosen the middle two sets of nuts and bolts to detach the worn rubber plate from the metal frame (Fig. 23).



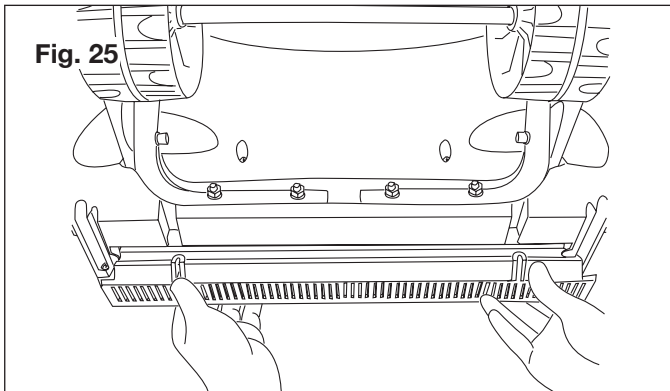
3. Attach the new rubber plate onto the metal frame by replacing and tightening the middle two sets of nuts and bolts (Fig. 23).
4. Reassemble the rubber plate assembly to the auger assembly by replacing and tightening the two sets of nuts and bolts used to secure it (Figs. 21 & 22).

## Replacing the Scraper Bar

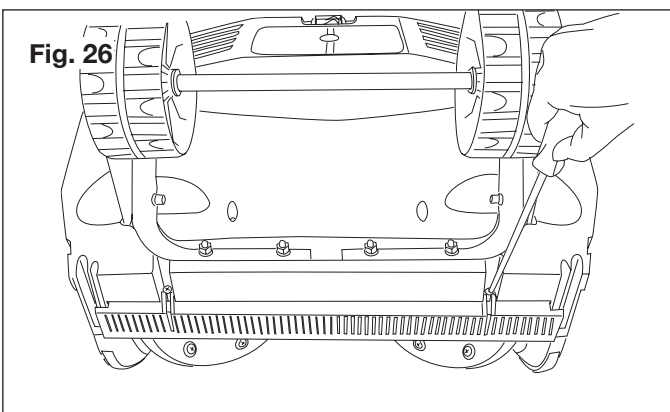
1. The scraper bar is located at the base of the snow thrower beneath the rotor housing (Fig. 24).



2. Detach the worn scraper bar from the snow thrower by removing the two screws that hold it in place (Fig. 25).



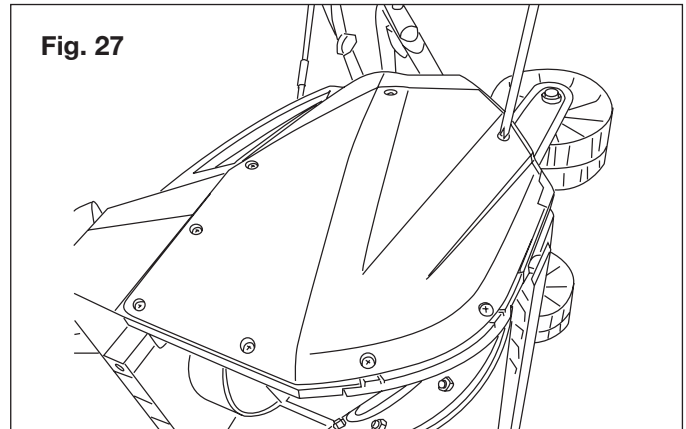
3. Install the new scraper bar and fasten it securely to the snow thrower with the two screws (Fig. 26).



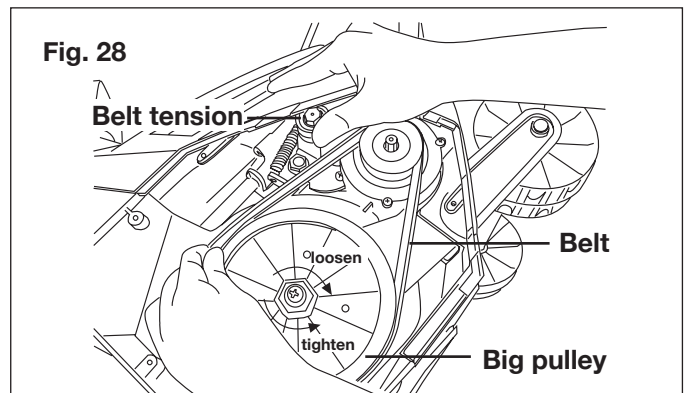
## Replacing the Belt + Pulley

**NOTE:** Determine the left and right hand side of the snow thrower by standing behind the unit in the normal operating position

1. Remove the screws from the left panel of the snow thrower and remove the left panel (Fig. 27).



2. Lift the belt tension pulley and roll the worn belt up and off the big pulley from the top of the big pulley (Fig. 28).

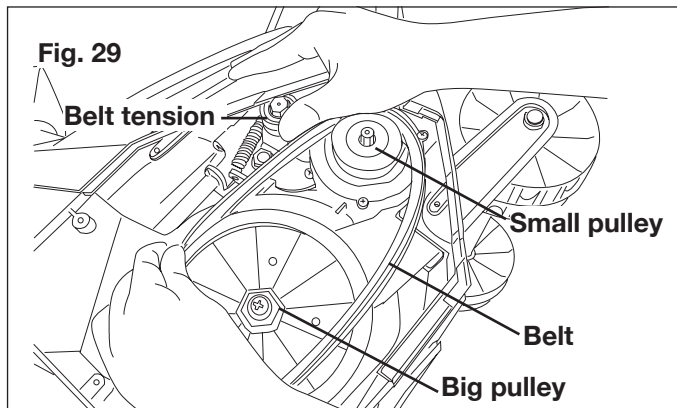


3. To replace the big pulley, remove the screw and washer from the middle of the pulley. While securing the auger so it does not spin, use a 7/8-inch socket to turn the outer nut of the pulley clockwise (the pulley is left-handed, so loosening and tightening occur in reverse orientation; clockwise to loosen and counterclockwise to tighten). Once the old pulley is removed, replace the big pulley and tighten the outer nut counterclockwise with the 7/8-inch socket. Replace and tighten the screw and washer (Fig. 28).

**NOTE:** Heavy wet snow puts a load on belts, thus requiring more frequent belt replacement.

4. To install the new belt, lift the belt tension and roll the new belt onto the little pulley at an angle. Then roll the belt onto the top of big pulley by rotating the big pulley

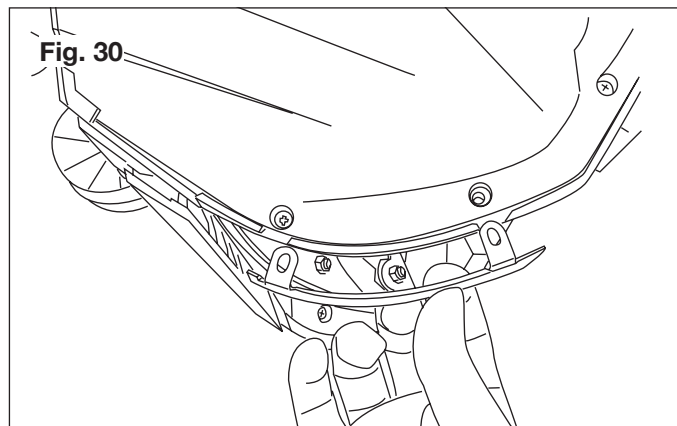
counterclockwise as the belt grips the top of the big pulley (Fig. 29).



5. Replace the left panel of the snow blower with all screws (Fig. 27).

### Replacing the Skid Shoes

The skid shoes are located at the bottom of the side panel. Unfasten the two screws on the side panel to remove the worn skid shoes (Fig. 30). Install the replacement by fastening it to the side panel with the same two screws.



### Automatic Reset

Both Snow Joe® SJ622E and SJ623E models have built-in automatic reset functions. In the event of a major obstruction that halts auger movement, simply unplug your unit, clear the auger obstruction, wait 60 seconds, and then resume use of your machine.

### Storage

1. Allow the engine to cool completely before cleaning, storing, or transporting the snow thrower. Be sure to secure the unit while transporting.
2. Disconnect the extension cord from the snow thrower. Inspect the extension cord closely for signs of wear or damage. Replace it if it is worn or damaged.

3. Inspect the snow thrower carefully for worn, loose, or damaged parts. Check connections and screws and tighten if necessary. For repairing or replacing parts, contact your authorized Snow Joe® + Sun Joe® dealer or the Snow Joe® + Sun Joe® customer service center at 1-866-SNOWJOE (1-866-766-9563).
4. Store the unit, along with the disconnected extension cord, in a locked, dry place out of the reach of children to prevent unauthorized use or damage. Cover loosely with a tarp or with the Snow Joe® universal 21-inch electric snow thrower cover (Model SJCVR-21) for added protection. Visit snowjoe.com to purchase the cover online.

## Service + Support

If your Snow Joe® SJ622E/SJ623E electric snow thrower requires service or maintenance, please call 1-866-SNOWJOE (1-866-766-9563) for assistance.

## Model + Serial Numbers

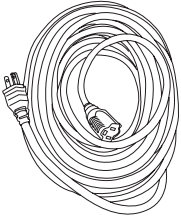
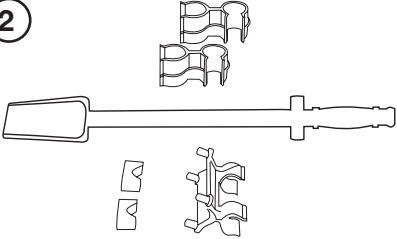
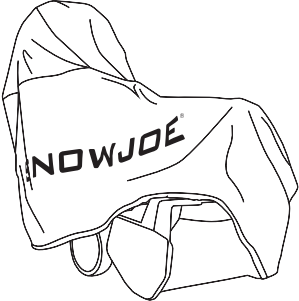
When contacting the company, reordering parts, or arranging service from an authorized dealer, you will need to provide the model and serial numbers, which can be found on the decal on the main cover of the unit to the left of the discharge chute. Copy these numbers into the space provided below.

Record the following numbers from the housing or handle of your new product:

	Model #:
S   J   6   2   E	
	Serial #:

# Accessories

**⚠️ WARNING!** ALWAYS use only authorized Snow Joe® + Sun Joe® replacement parts and accessories. NEVER use replacement parts or accessories that are not intended for use with this electric snow thrower. Contact Snow Joe® + Sun Joe® if you are unsure whether it is safe to use a particular replacement part or accessory with your electric snow thrower. The use of any other attachment or accessory can be dangerous and could cause injury or mechanical damage.

Accessories	Item	Model
<p>①</p> 	<p>Snow Joe® + Sun Joe® SJTW-A 14-gauge 50-foot extension cord with lighted end</p>	<p>PJEXT50-B</p>
<p>②</p> 	<p>Universal snow thrower chute clean-out tool</p>	<p>SJCOT</p>
<p>③</p> 	<p>Universal 21-inch snow thrower protective cover</p>	<p>SJCVR-21</p>

**NOTE:** Accessories are subject to change without any obligation on the part of Snow Joe® + Sun Joe® to provide notice of such changes. Accessories can be ordered online at [snowjoe.com](http://snowjoe.com) or via phone by contacting the Snow Joe® + Sun Joe® customer service center at 1-866-SNOWJOE (1-866-766-9563).





## SNOW JOE® + SUN JOE® CUSTOMER PROMISE

**ABOVE ALL ELSE**, Snow Joe® + Sun Joe® are dedicated to you, our customer. We strive to make your experience as pleasant as possible. Unfortunately, there are times when a product does not work or breaks under normal operating conditions. We think it's important that you know what you can expect from us. That's why we created the Snow Joe® + Sun Joe® promise.

**OUR PROMISE:** Snow Joe® + Sun Joe® warrant new products for two years from the date of purchase. If your product does not work, or there's an issue with a specific part, we will fix this by either sending you a free replacement part or by sending you a new or comparable product at no charge. How cool is that! Before you know it, you'll be back in action cutting, sawing, mowing, washing and...?

### PRODUCT REGISTRATION:

Snow Joe®, LLC ("Snow Joe® + Sun Joe®") strongly encourages you to register your purchase. You can register online at [snowjoe.com/ProductRegistration](http://snowjoe.com/ProductRegistration), or by printing and mailing in a registration card available online from our website, or calling our Customer Service Department at **1-866-SNOWJOE (1-866-766-9563)**, or by e-mailing us at [help@snowjoe.com](mailto:help@snowjoe.com). Failure to register your product purchase will not diminish your warranty rights. However, registering your purchase will allow Snow Joe® + Sun Joe® to better serve you with any of your customer service needs.

### WHO CAN SEEK WARRANTY COVERAGE?

This Warranty is extended by Snow Joe® + Sun Joe® to the owner of this Machine (a "Machine" consists of a product powered by a motor) for residential and personal household use only. This Warranty does not apply to products used for commercial, rental or re-sale purposes. Should ownership of this machine change during the 2-year period, please update the Machine's owner information at [snowjoe.com/ProductRegistration](http://snowjoe.com/ProductRegistration).

### WHAT IS COVERED?

Snow Joe® + Sun Joe® warrants to the owner that if this Machine fails within 2 years from the date of purchase due to a defect in material or workmanship or as a result of normal wear and tear from ordinary household use, Snow Joe® + Sun Joe® will send a replacement part or product, as needed, free of charge and with free shipping to the original purchaser.

If, in Snow Joe® + Sun Joe®'s sole discretion, the failed Machine cannot be repaired with a part, Snow Joe® + Sun Joe® will elect to either (A) send a new Machine at no charge and with free shipping or (B) refund the full purchase price to the owner.

### WHAT IS NOT COVERED?

This Warranty does not apply to the Machines that have been used commercially or in non-household applications. This Warranty does not cover cosmetic changes that do not affect performance. This Warranty is only valid if the Machine is used and maintained in accordance with the instructions, warnings and safeguards contained in the owner's manual. Snow Joe® + Sun Joe® will not be responsible for the cost of any unauthorized warranty repairs. This warranty does not cover any cost or expense incurred by the purchaser in providing substitute equipment or service during reasonable periods of malfunction or non-use of this product while waiting for a replacement part or unit under this warranty.

Wearing parts like belts, augers, chains and tines are not covered under this warranty, and can be purchased at [snowjoe.com](http://snowjoe.com) or by calling **1-866-SNOWJOE (1-866-766-9563)**. Batteries are covered in full for 90-days from the date of purchase.

Repair, replacement or refund of the purchase price are the exclusive remedies of purchaser and the sole liability of Snow Joe® + Sun Joe® under this warranty. No employee or representative of Snow Joe® + Sun Joe® is authorized to make any additional warranty or any modification to this warranty which may be binding upon Snow Joe® + Sun Joe®. Accordingly, purchaser should not rely upon any additional statements made by any employee or representative of Snow Joe® + Sun Joe®. In no event, whether based on contract, indemnity, warranty, tort (including negligence), strict liability or otherwise, shall Snow Joe® + Sun Joe® be liable for any special, indirect, incidental, or consequential damages, including, without limitation, loss of profit or revenue.

Some states do not allow limits on warranties. In such states, the above limitations may not apply to you.

Outside the USA, other warranties may apply.



[snowjoe.com](http://snowjoe.com)