



SNOWJOE®

EN

ELECTRIC SNOW THROWER

22-INCH | 15-AMP | LED LIGHTS

OPERATOR'S MANUAL

A Division of Snow Joe®, LLC

Model SJ627E

Form No. SJ-SJ627E-880E-MR4


IMPORTANT! Safety Instructions

All Operators Must Read These Instructions Before Use

Any electrical appliance can be dangerous if used incorrectly. Some of the safety precautions given in this manual apply generally to many appliances. Other warnings are specific to the use of this snow thrower. Keep this manual for future reference.

General Safety WARNINGS!

You and any other operator of this snow thrower must read, understand, and follow these instructions in their entirety, and should reread them at the start of each snow season. Failure to follow these instructions may result in ELECTRIC SHOCK, FIRE, and/or serious PERSONAL INJURY.

Notice the personal safety alert symbol  used in this manual to draw your attention to a WARNING given along with the particular operating instruction. This means that the operation requires special ATTENTION, CAUTION, and AWARENESS.

1. **Keep work area clean and well lit.** Cluttered, dark areas invite accidents.
2. **Do not operate the snow thrower in an explosive atmosphere,** such as in the presence of flammable liquids, gases, or dust. Electrical appliances create sparks that may ignite the dust or fumes.
3. **Keep children, pets, and bystanders away from the work area.** Be aware that the normal noise of the machine when turned on may make it difficult for you to hear approaching people. Spectators should wear safety glasses and be kept a safe distance away from the work area. Do not let spectators touch the snow thrower or the extension cord.
4. **Electrical plugs must match the outlet.** Never modify the plug in any way. Do not use any adapter plugs with grounded appliances. Unmodified plugs and matching outlets will reduce the risk of electric shock.

5. **Avoid body contact with earthed or grounded surfaces** (i.e. upper and lower water pipes, radiators, ranges, refrigerators, microwave ovens, and outer frames of heating equipment). Take necessary precautions to avoid electric shock. There is an increased risk of electric shock if your body is earthed or grounded.
6. **Do not abuse the cord.** Keep the cord away from heat, oil, sharp edges, or moving parts. Never carry the snow thrower by its cord or yank the cord to disconnect it from the electrical outlet. Damaged or entangled cords increase the risk of electric shock.
7. **Replace or properly repair damaged cords.** If the cord becomes damaged in any manner while plugged into the wall receptacle, immediately pull the extension cord plug from the receptacle.
8. **Contact with water while operating the snow thrower can result in electric shock and serious bodily injury.** Do not use the snow thrower in damp or wet locations or expose to rain. Do not handle the plug or the appliance with wet hands or while standing in water.
9. **⚠️WARNING – Use outdoor extension cords marked SW-A, SOW-A, STW-A, STOW-A, SJW-A, SJOW-A, SJTW-A, or SJTOW-A.** These cords are rated for outdoor use and reduce the risk of electric shock.
10. **Turn off the power switch and disconnect the power cable before making any adjustments to the unit and before inspecting, servicing, changing accessories, or cleaning the snow thrower. Follow the same procedure if any other dangerous conditions are present during operation.** Any adjustments to the unit should be performed after revolving parts inside the snow thrower stop completely. Such preventative safety measures reduce the risk of starting the power tool accidentally.
11. **If you find the main power cable or the extension cable damaged, please pull out the plug from the socket and disconnect the power immediately.** Repair the cable or replace it if necessary.
12. **When replacing any parts, you must strictly observe the instructions and procedures described in this operator's manual.** Special care should be paid to any rubber parts, since these parts may increase the engine load and decrease its mechanical power if damaged.
13. **Do not move or transport the snow thrower when the plug is connected to the power socket and the switch is turned on.**

14. If, during use, you notice that the unit runs unstably or hear abnormal sounds from the motor, stop the machine, disconnect the power immediately and contact an authorized Snow Joe® + Sun Joe® service center.

Electrical Safety

1. Ground fault circuit interrupter (GFCI) protection should be provided on the circuit(s) or outlet(s) to be used for the snow thrower. Receptacles are available having built-in GFCI protection and may be used for this measure of safety.
2. To prevent electric shock, use only with an extension cord suitable for outdoor use, such as SW-A, SOW-A, STW-A, STOW-A, SJW-A, SJOW-A, SJTW-A, or SJTOW-A.

Before use, check that the extension cord is in good condition. When using an extension cord, make sure to use one heavy enough to carry the current your product will draw. An undersized cord will cause a drop in line voltage resulting in loss of power and overheating.

3. To reduce the risk of electric shock, this appliance has a polarized plug (i.e. one blade is wider than the other). Use this appliance only with a polarized UL-, CSA-, or ETL-rated extension cord for outdoor, all-weather use. The appliance plug will fit into a polarized extension cord only one way.

If the appliance plug does not fit fully into the extension cord, reverse the plug. If the plug still does not fit, obtain a correct polarized extension cord. A polarized extension cord will require the use of a polarized wall outlet. The extension cord plug will fit into the polarized wall outlet only one way. If the plug does not fit fully into the wall outlet, reverse the plug. If the plug still does not fit, contact a qualified electrician to install the proper wall outlet. Do not modify the appliance plug, extension cord receptacle, or extension cord plug in any way.

⚠ **WARNING** ⚠

Electric shock may cause SEVERE INJURY or DEATH. Heed these warnings:

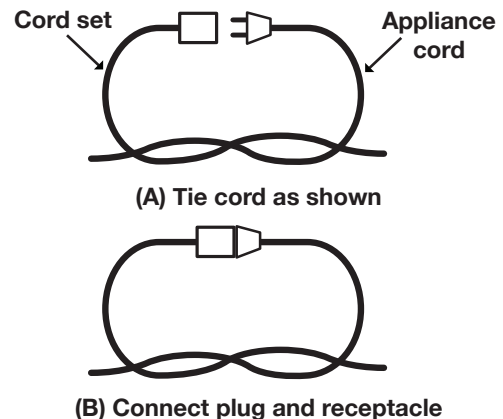
- Do not allow any part of the electric snow thrower to make contact with water while it is in operation. If the appliance becomes wet while turned off, wipe dry before starting.
- Use only a UL-, CSA- or ETL-rated extension cord for outdoor, all-weather use, such as the Snow Joe®+ Sun Joe® SJTW-A 14-gauge 50-foot extension cord with lighted end (Model PJEXT50-B). Visit snowjoe.com to purchase this extension cord online or, to order by phone, call 1-866-SNOWJOE (1-866-766-9563).
- Do not use an extension cord over 100 ft (30 m).
- Do not touch the appliance or its plug with wet hands or while standing in water. Wearing rubber boots offers some protection.

EXTENSION CORD CHART

Extension Cord Length	Up to 50 ft (15 m)	+50 ft - 100 ft (+15 m - 30 m)
Wire Gauge (A.W.G.):	14	12

4. To prevent the appliance cord from disconnecting from the extension cord during operation, use the on-board cord restraint hook and/or make a knot with the two cords as shown in Table 1.

Table 1. Method of Securing Extension Cord



5. Do not abuse the cord. Never pull the snow thrower by the cord or yank the cord to disconnect it from the receptacle. Keep the cord away from heat, oil, and sharp edges.

Personal Safety

1. **Stay alert** – Watch what you are doing and use common sense when operating the snow thrower. Do not use the machine when tired, ill, or under the influence of drugs, alcohol, or medication. A moment of inattention may result in serious personal injury.
 2. **Wear proper clothing** – Wearing rubber boots offers additional protection from electric shock. Do not wear loose clothing or jewelry that may become caught in the machine. Wear protective headgear to keep hair away from revolving parts of the machine. Safety glasses offer better protection than everyday eyeglasses.
 3. **Moving parts present risks** – Keep your face, hair, clothing, hands, and feet away from moving parts. All guards and safety attachments must be installed properly before using the unit. Shut off and disconnect the cord before touching any parts other than the handles and the switch.
 4. **Surfaces** – This snow thrower is intended for use on paved surfaces. Do not use on gravel, stone, or other unpaved surfaces unless the snow thrower is adjusted for such surfaces according to the instructions given in this operator's manual.
 5. **Avoid accidental starting** – Make sure the switch is in the off position before plugging in the unit. Do not carry the snow thrower with your finger on the switch.
 6. **Body position** – Maintain proper footing and balance at all times. Place heels firmly on the ground and tightly grasp the handle bar. Watch for uneven surfaces and do not overreach. In case you fall or collide with the snow thrower, inspect the unit for any damage or cracks. When stepping backwards, be careful to avoid obstacles beneath your feet or behind you to avoid falling.
 7. **If the snow thrower strikes any object, immediately stop the snow thrower, then inspect for damage** – Repair any damage before restarting and operating the snow thrower.
- **Excessive force** – The snow thrower was designed to respond at a certain rate for various snow conditions for optimum safety and performance. Do not force it; keep pressure constant.
 - **Malfunctioning switch** – Do not use the snow thrower if the switch does not turn it on and off. Any electrical appliance that cannot be controlled by the switch is not safe to use and must be repaired.
 - **Hitting an object** – If the snow thrower accidentally strikes an object, follow these steps:
 - i) Stop the snow thrower and unplug the unit
 - ii) Inspect for damage
 - iii) Repair or replace any damaged part before restarting and operating the snow thrower.
 - **Discharge chute safety** – Never direct the snow discharge chute at the operator, at bystanders, at vehicles, or at windows. The discharged snow stream and foreign objects accidentally picked up by the snow thrower can cause serious damage and personal injury. Do not use your hands to unclog the discharge chute. Stop the motor before removing debris.
 - **Hand-held operating position** – Operation of the snow thrower in the hand-held position is unsafe.
 - **Abnormal operation** – If you notice the snow thrower running in an unstable state or hear abnormal sounds from the engine, immediately stop the machine, disconnect the power, and contact an authorized Snow Joe® + Sun Joe® dealer or the Snow Joe® + Sun Joe® customer service center at 1-866-SNOWJOE (1-866-766-9563).
 - **Noise control** – When using the snow thrower, you must respect local laws and regulations regarding noise control and environmental protection. To avoid noise disturbance, you should carefully decide upon an appropriate operation time and consider the surrounding conditions.
 - **When work is completed** – Disconnect the snow thrower from the power source when not in use, when changing accessories, and before performing any maintenance function.
 - **Store safely** – Store the snow thrower indoors in a dry area between uses. Keep it in a locked area, where children and unauthorized users cannot gain access. Do not store the machine while it is still connected to the power source as this may result in damage and injury.
 - **Maintain for safety and longevity** – Check for misalignment or binding of moving parts, breakage of parts, and any other conditions that may affect the unit's operation. If damaged, repair or replace the damaged part before use. Use only original replacement parts designed specifically for your model. When replacing any parts, you must strictly observe the instructions and procedures described in this manual. Special care should be paid to any rubber parts, since these parts may increase the engine load and decrease its mechanical power if damaged. Always check that all bolts, nuts, and knobs are tight before using the snow thrower!

















Safety Instructions for Walk-Behind Snow Throwers

- **Read the operator's manual carefully** – Learn your snow thrower's applications and limitations as well as the specific potential hazards related to this machine. Do not use this machine for any purpose other than the one for which it was designed. Otherwise, it may cause mechanical defaults, serious damage, or personal injury.
- **Preliminary unit inspection** – Thoroughly inspect the unit before use. Make sure all the parts are secure and installed correctly. If you notice any abnormalities, do not use the machine until it has been properly repaired.

Always perform a test run the first time you use the snow thrower or after replacing parts to ensure that the unit is functioning properly.
- **Preliminary area inspection** – Clear the area to be plowed before each use. Remove all objects, such as rocks, broken glass, nails, wire, or string, which can be thrown by or become entangled in the snow thrower. Keep the area of operation clear of all spectators, particularly children and pets.

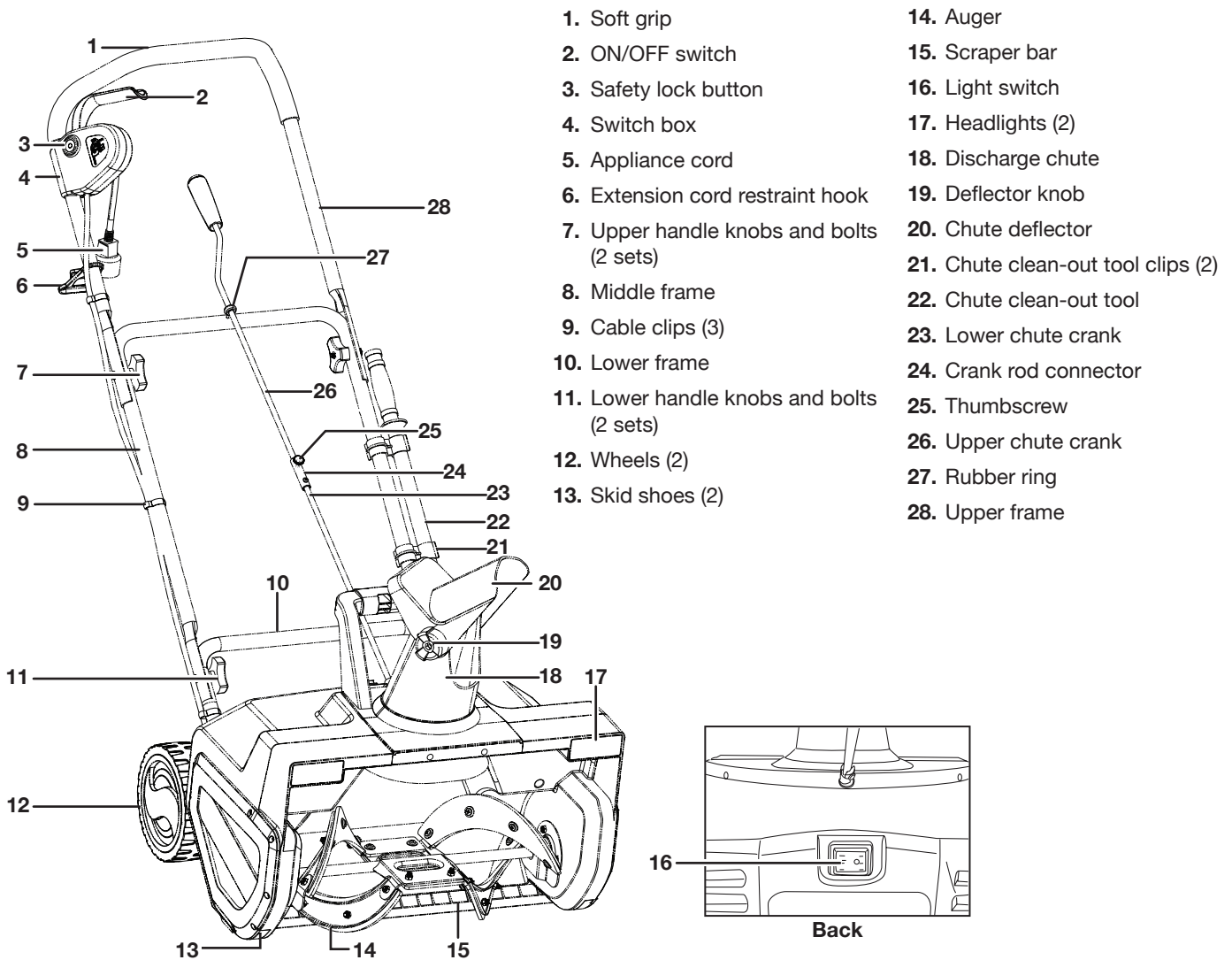
Safety Symbols

The following table describes safety symbols that may appear on this product. Read, understand, and follow all instructions on the machine before attempting to assemble and operate.

Symbols	Descriptions	Symbols	Descriptions
	READ THE OPERATOR'S MANUAL(S) – Read, understand, and follow all instructions in the user manual(s) before attempting to assemble and operate.		Disconnect the plug before conducting maintenance or when it is damaged or tangled.
	SAFETY ALERT – Indicates a precaution, a warning, or a danger.		It is obligatory at all times to wear goggles or a visor to protect the eyes and face.
	Beware of stones and other objects that could be thrown from the appliance. Keep all bystanders and domestic animals a safe distance away from the work area.		Keep the flexible power supply cord away from the cutting blades.
	WARNING! Do not expose the unit to rain or wet conditions. Keep dry.		Always keep the power cable away from heat sources, oils, or sharp edges. Immediately remove plug from the mains if the cable is damaged or entangled.
	Wear protective gloves and non-slip footwear when using the machine and handling debris.		CAUTION! Beware of stones and other foreign objects that could be thrown from the appliance.
	Keep hands and feet away from the rotating parts.		Keep hands away from the moving parts of the snow thrower. The rotating parts can cause severe bodily injury.
	DANGER! Cutting/dismemberment hazard – Keep hands away from the rotating auger. Do not use hands to unclog rotor housing. Stop motor before removing debris.		Keep feet away from the moving parts of the snow thrower. The rotating parts can cause severe bodily injury.
	The rotating part will continuously run for several seconds after you turn off the machine.		Double insulation.

Know Your Electric Snow Thrower

Read the owner's manual and safety rules carefully before operating your electric snow thrower. Compare the illustration below to the actual unit in order to familiarize yourself with the location of the various controls and adjustments. Save this manual for future reference.



Technical Data

Motor.....	15A	Throw Distance Max	25 ft (7.6 m)
Rated Voltage.....	120V ~ 60 Hz	Plowing Capacity Max	840 lbs/min (381 kg/min)
Light.....	2 x 1.5 W LED lights	Directional Control	180° adjustable chute
No Load Speed	2700 rpm	Rotor.....	4 rubber-tipped steel blades
Clearing Width.....	22 in. (55.9 cm)	Type of Snow.....	Light, fluffy
Clearing Depth	13 in. (33 cm)	Net Weight.....	33 lbs (15 kg)

Unpacking

Carton Contents:

- Electric snow thrower with middle frame and upper frame
- Upper crank rod
- Lower crank rod
- Chute clean-out tool with clips (2)
- Extension cord restraint hook
- Cable clips (3)
- Handle knobs and bolts (4 sets)
- Manual with registration card(s)

1. Carefully remove the electric snow thrower and check to see that all of the above items are supplied.
2. Inspect the product carefully to make sure no breakage or damage occurred during shipping. If you find damaged or missing parts, DO NOT return the unit to the store. Please call the Snow Joe® + Sun Joe® customer service center at 1-866-SNOWJOE (1-866-766-9563).

NOTE: Do not discard the shipping carton and packaging material until you are ready to use your new electric snow thrower. The packaging is made of recyclable materials. Properly dispose of these materials in accordance with local regulations or save the packaging for long-term product storage.

IMPORTANT! The equipment and packaging material are not toys. Do not let children play with plastic bags, foils, or small parts. These items can be swallowed and pose a suffocation risk!

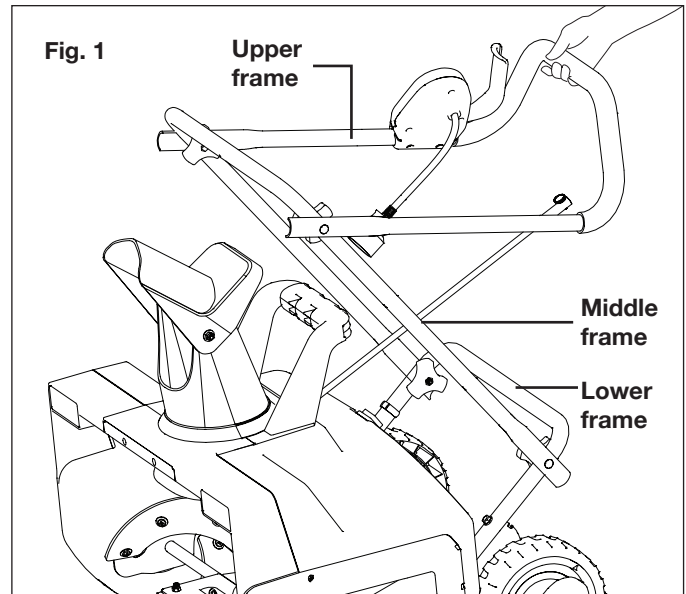
Assembly

⚠ WARNING! Inspect wiring, which, if damaged during shipping, may cause serious bodily injury during equipment use. If any damage is seen or suspected, do not assemble. Instead, contact the Snow Joe® + Sun Joe® customer service center at 1-866-SNOWJOE (1-866-766-9563) for assistance.

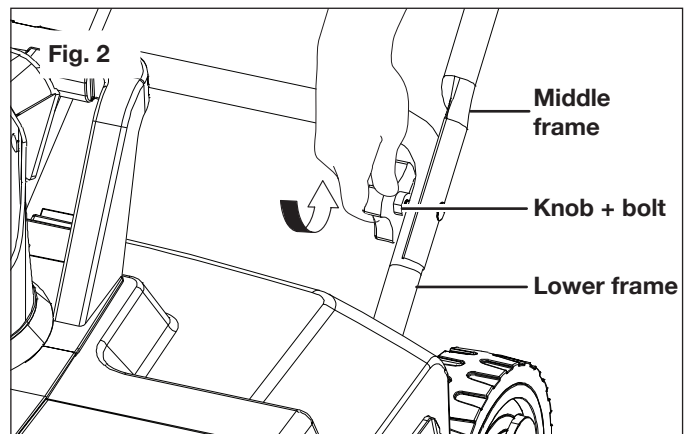
Handle with care during assembly so that electrical wiring does not become damaged.

Handle Frame Assembly

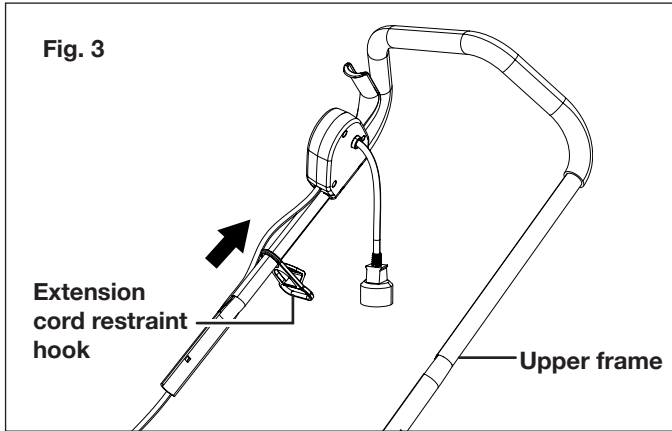
1. For easy assembly, the unit comes complete with most parts already connected. To complete the handle assembly, simply pull the middle frame back and pull the upper frame up (Fig. 1).



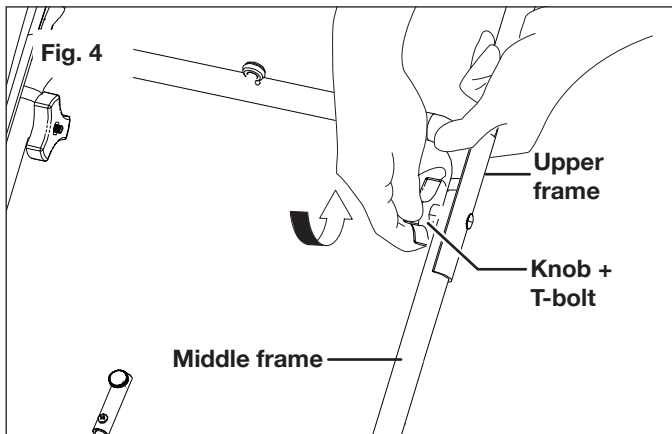
2. Secure the connection of the middle frame to the lower frame by fastening the first set of knobs and bolts on each side (Fig. 2).



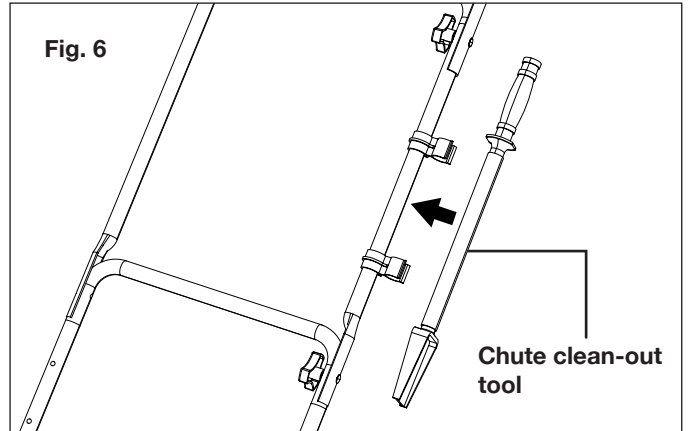
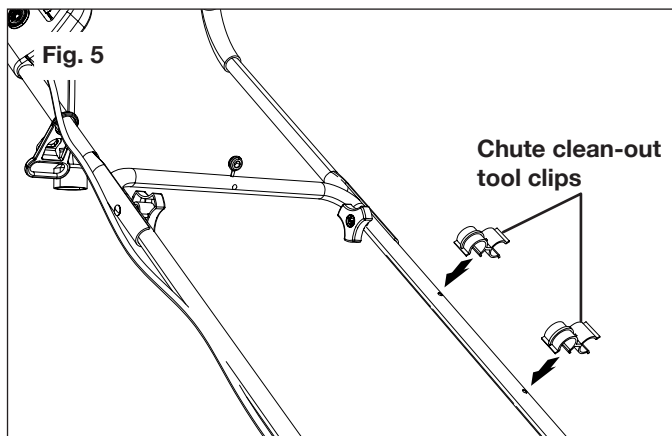
3. Before securing the upper frame, slide the extension cord restraint hook up the upper frame (Fig. 3).



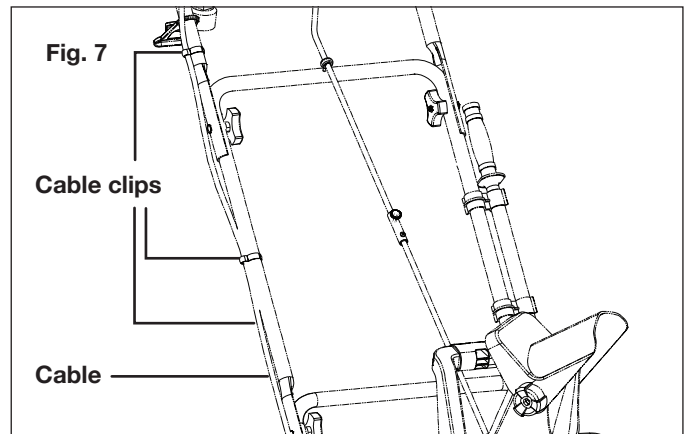
4. Secure the connection of the upper frame to the middle frame by fastening the second set knobs and bolts on each side (Fig. 4).



5. Clip the 2 chute clean-out tool clips on the side of the middle frame, and insert the chute clean-out tool in the clips (Figs. 5 - 6).

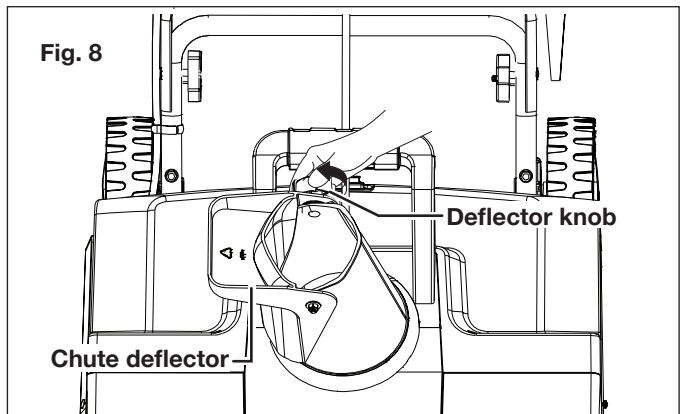


6. Clip on the 2 cable clips on the frame, and insert the cable inside of the cable clips (Fig. 7).

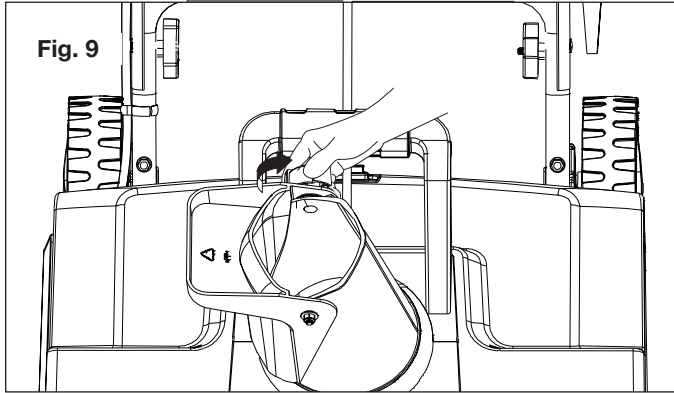


Discharge Chute Assembly

1. Loosen the knob to lift the chute deflector (Fig. 8).



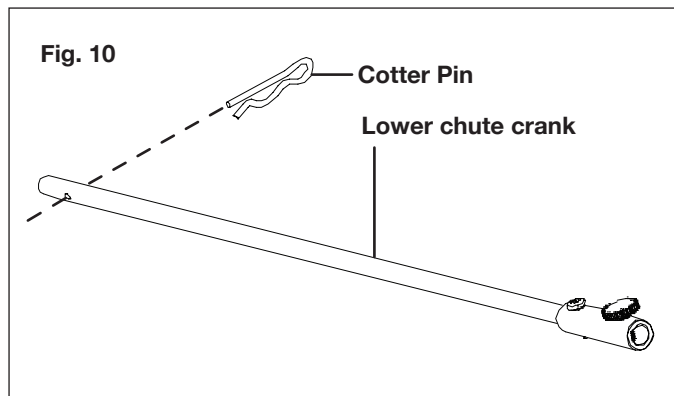
2. Secure the chute deflector by locking the deflector knob (Fig. 9).



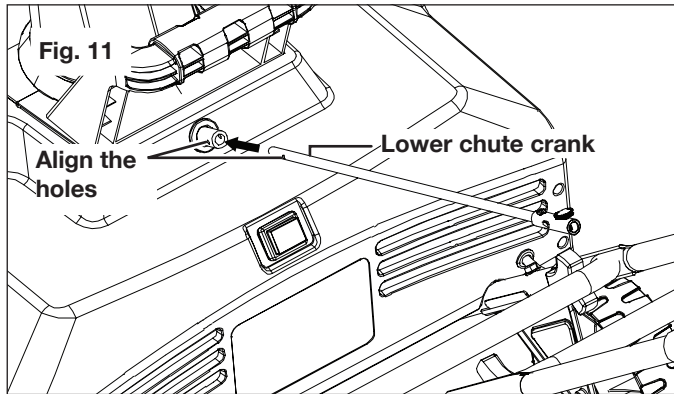
NOTE: Do not overtighten the knob.

Chute Crank Assembly

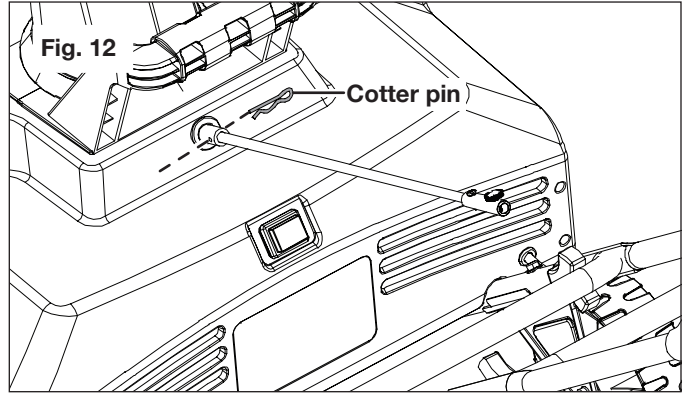
1. Remove the cotter pin from the lower chute crank (Fig. 10).



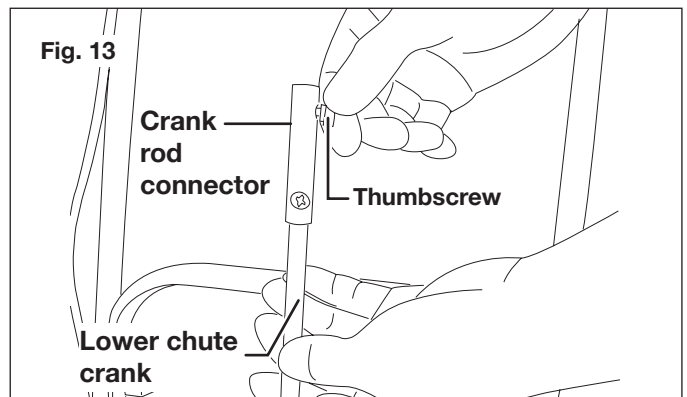
2. Install the lower crank rod by inserting it into the opening at the back of the housing with holes aligned (Fig. 11).



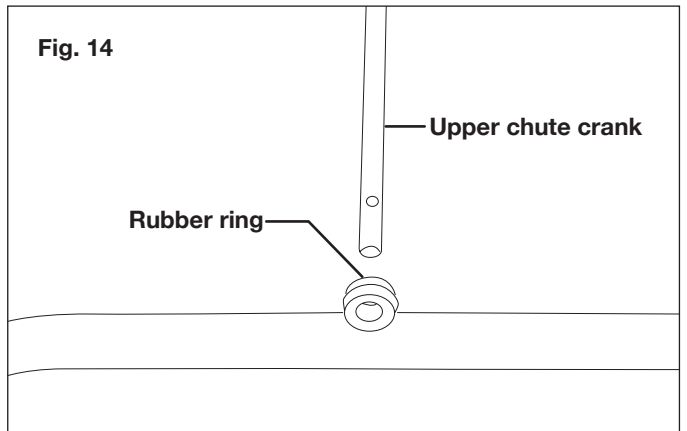
3. Secure the lower chute crank in place with the cotter pin (Fig. 12).



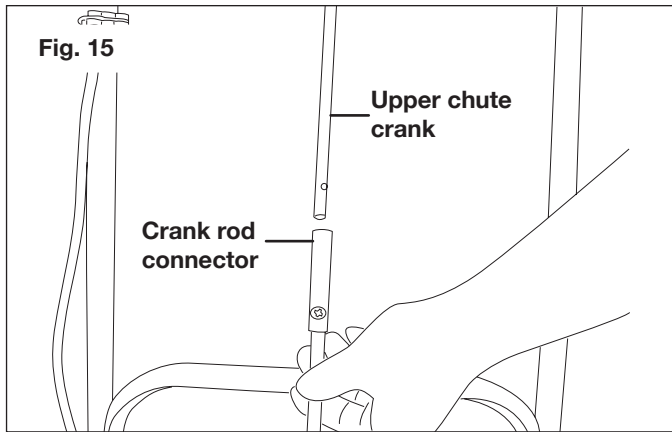
4. Remove the thumbscrew on the crank rod connector by hand (Fig. 13).



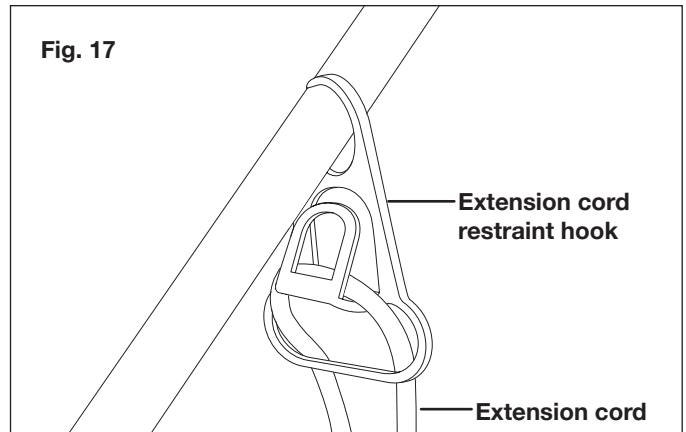
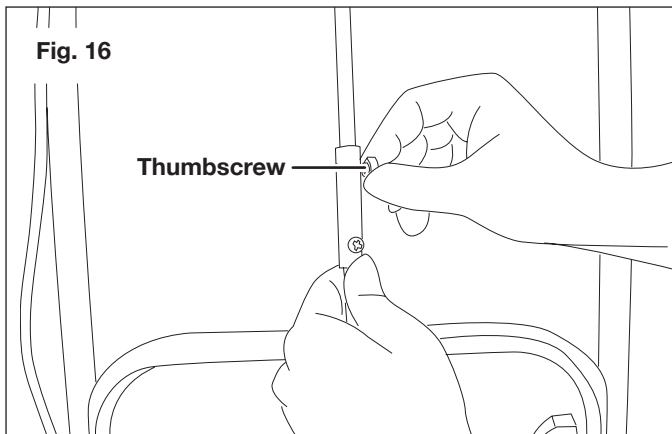
5. Slide the upper chute crank through the rubber ring located on the middle frame (Fig. 14).



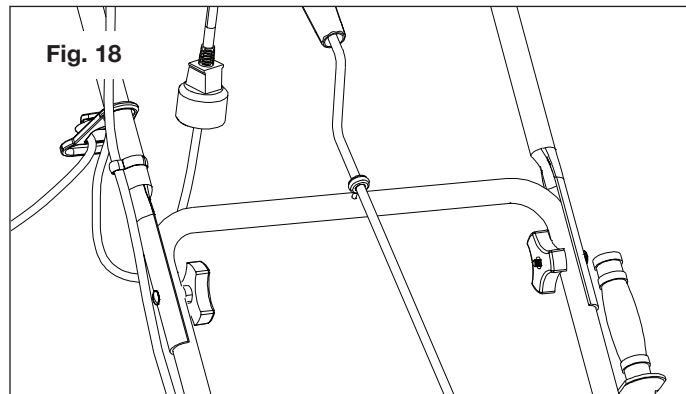
6. Slide the upper chute crank into the crank rod connector (Fig. 15).



7. Align the screw holes and tighten the thumbscrew by hand (Fig. 16).



3. Insert the female end of the extension cord into the appliance's polarized male plug (Fig. 18).



Operation

NOTE: Before using this machine, make sure that the power source you will use complies with the specifications detailed in this manual. Before inserting the plug into the socket, verify that the snow thrower's auger and rubber plates are firmly secured with screws, and that the rubber plates are facing the correct direction. Perform a test run to ensure that the rotor turns freely.

Securing the Extension Cord

1. For safe and efficient use of your snow thrower, use only a UL-rated extension cord recommended for outdoor use. Refer to the **Extension Cord Chart** on page 2.
2. Push the loop of the extension cord through the slot from the opposite side of the restraint hook. Position the loop over the hook and pull the cable back through the slot (Fig. 17).

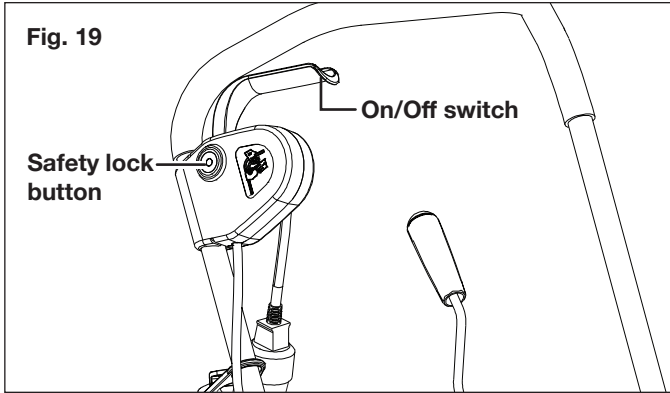
⚠ WARNING! Damaged electrical cords present risk of fire, electrical shock, and serious bodily injury.

Before operating the snow thrower, carefully examine the electrical cord. If the cord is damaged, do not use the snow thrower. Replace or repair the damaged cord immediately. If you need assistance, contact an authorized Snow Joe® + Sun Joe® dealer or the Snow Joe® + Sun Joe® customer service center at 1-866-SNOWJOE (1-866-766-9563).

Powering On + Off

⚠ WARNING! The auger starts rotating immediately after the snow thrower is switched on. Keep hands and feet away from the auger.

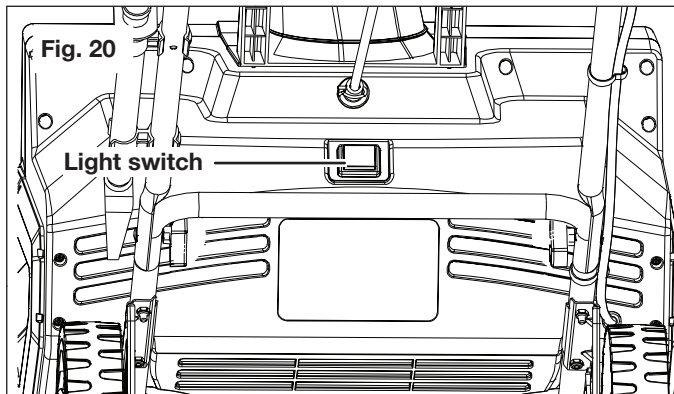
1. To power on, depress and hold the safety lock button found alongside the switch housing (Fig. 19).
2. While depressing the safety lock button, pull the ON/OFF switch lever toward you. Once the machine powers on, release the safety lock button and begin operation (Fig. 19). The machine can only be started by depressing the safety lock button first, followed by squeezing the ON/OFF switch lever; reverse operation will not start the machine.



3. To power off, release your grip on the ON/OFF switch lever.

Headlights

The snow thrower is equipped with 2 headlights that can be used to illuminate the forward path in the dark. To use the lights, turn on the light switch located on the back side under the crank rod of the snow thrower (Fig. 20).



NOTE: The lights will only turn ON when the snow thrower is running. After finishing your work session, REMEMBER to TURN OFF the light switch.

Moving the Machine + Plowing the Snow

⚠ WARNING! Foreign objects, such as rocks, broken glass, nails, wire, or string, can be picked up and thrown by the snow thrower, causing serious personal injury.

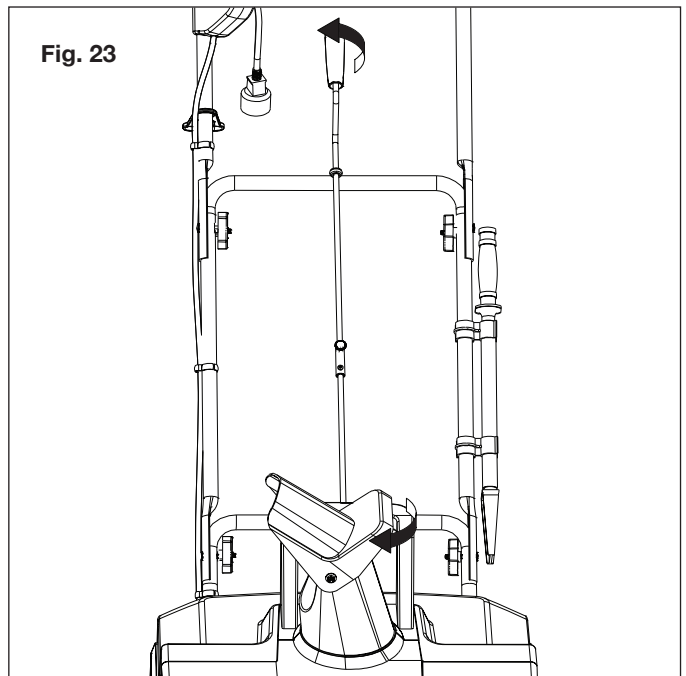
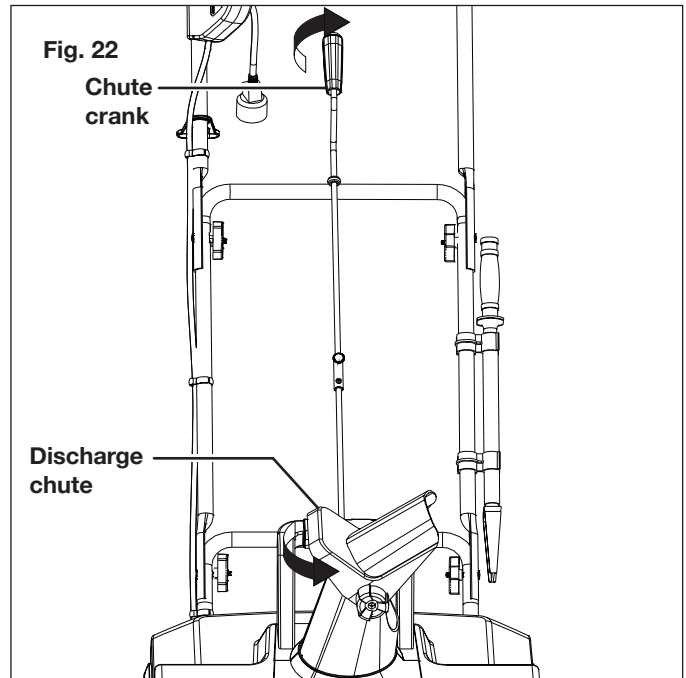
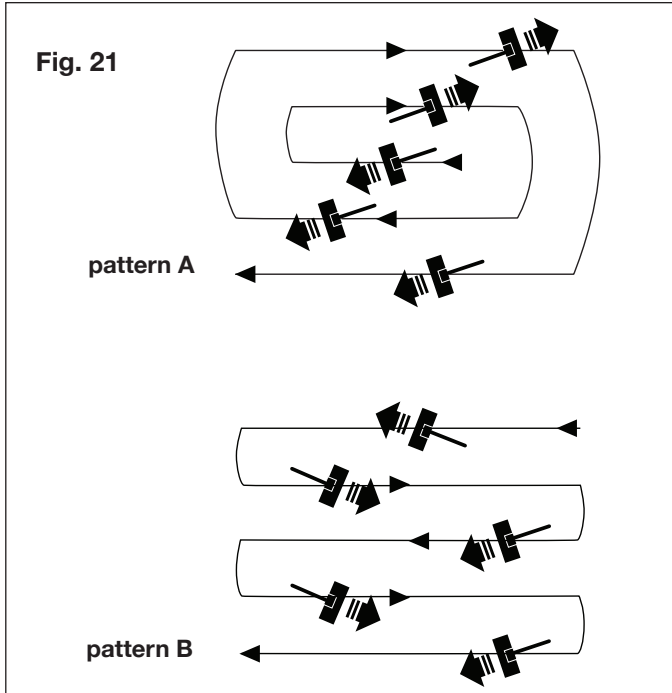
Remove all foreign objects from the area to be plowed before operating the snow thrower.

1. Keep the area of operation free of foreign objects that can become thrown by the rotor blades. Perform a thorough inspection of the area since some objects may be hidden from view by surrounding snow. If the snow thrower hits an obstruction or picks up a foreign object during use, stop the snow thrower, disconnect the extension cord, remove the obstruction, and inspect the unit for damage. Repair or replace any damaged part before restarting and operating the unit.

2. Keep children, pets, and bystanders away from the area of operation. Be aware that the normal noise of the machine when turned on may make it difficult for you to hear approaching people.
3. When moving the snow thrower, use the wheels on one side as the pivot point. Slightly tilt the snow thrower on this pivot point to move it forward or backward.
4. Start your clearing path near the electrical outlet and work outward, throwing snow in a back and forth motion. To clear in the opposite direction, step over the cord and pivot the snow thrower on its wheels. Make sure to overlap clearing paths.
5. Note the wind direction. If possible, move in the same direction as the wind so that the snow is not thrown against the wind (and thus back into your face and onto the just cleared path).
6. While moving the snow thrower, do not drag the power cable violently or roughly. The snow thrower should move within the range that the cable can reach.
7. Do not push the snow thrower with excessive force. You should push the machine gently and evenly in accordance with the unit's throw rate.
8. Do not apply additional man-made load to the engine since this may cause engine damage.
9. Some parts of the snow thrower may freeze under extreme temperature conditions. Do not attempt to operate the snow thrower with frozen parts. If the parts freeze while the snow thrower is in use, stop the snow thrower, unplug the extension cord, and inspect for frozen parts. Free all parts before restarting or operating the snow thrower. Never force controls that have frozen.
10. When working on pebbles, gravel, or unpaved surfaces, avoid throwing loose surface material along with the snow by pushing down on the handle to raise the scraper bar at the base of the unit above the pebbles or gravel.
11. For larger areas, a definite pattern of operation is required to thoroughly clean an area of snow. These patterns will avoid throwing snow in unwanted places, as well as eliminate the need for a second removal of snow (Fig. 21).

Pattern A: Throw the snow to the right or left side where it is possible. For areas such as a long driveway, it is advantageous to start in the middle. Plow from one end to the other, throwing snow to both sides.

Pattern B: If the snow can only be thrown to one side of the area to be cleared, start on the opposite side.



Changing Throw Direction + Throw Height

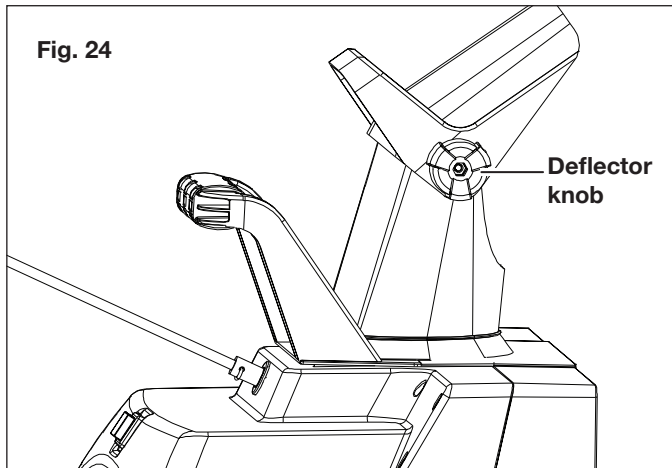
⚠ WARNING! Never direct the discharge chute at the operator, at bystanders, at vehicles, or at nearby windows. The discharged snow and foreign objects accidentally picked up by the snow thrower can cause serious damage and personal injury.

Always orient the discharge chute in the opposite direction from where you, bystanders, surrounding vehicles, or windows are located.

NOTE: The chute crank shaft rotation is stiff in the first initial use. It will loosen with use.

1. The discharge chute can be adjusted 180 degrees by rotating the chute crank. Rotate the chute control crank clockwise to move the discharge chute to the left (Fig. 22) and counterclockwise to move the chute to the right (Fig. 23).

2. The chute deflector on the top of the discharge chute controls the height of the snow stream. Loosen the knob to raise or lower the deflector to the desired height of snow you wish to throw. Tighten the knob to secure the deflector (Fig. 24).



⚠ WARNING! Make sure that the chute deflector snaps and locks completely onto the discharge chute. An opening between the discharge chute and the chute deflector may allow foreign objects to be picked up by the snow thrower and thrown in the direction of the operator causing serious bodily injury.

- Do not advance the chute deflector too far forward causing an opening to appear between the deflector and discharge chute.
- Do not overtighten the knobs on the chute deflector.

Maintenance

⚠ WARNING! Make sure to turn off the switch and disconnect the extension cord before performing any maintenance task on your snow thrower.

Lifetime Lubrication (Motor + Auger)

Lubrication is not necessary and may damage the unit. The snow thrower is lubricated for lifetime use at the factory before shipment.

General Maintenance Tips

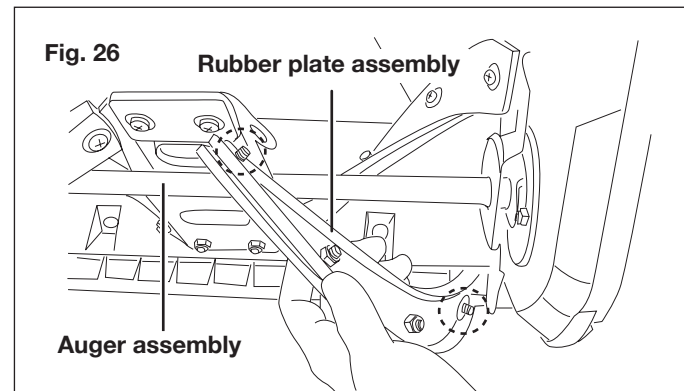
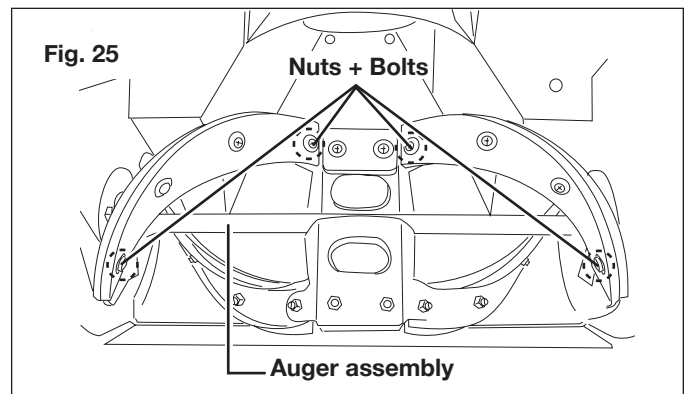
1. Do not attempt to repair the machine unless you have the proper tools and instructions for disassembly and repair of the machine.
2. Check bolts and screws at frequent intervals for proper tightness to ensure that the equipment is in safe working condition.
3. After each snow removal session, run the snow thrower for a few minutes to prevent the collector/impeller from freezing. Shut off the motor, wait for all revolving parts to stop completely, and wipe residual ice and snow off the unit. Rotate the chute crank several times to remove any excess snow.
4. Only use a cloth soaked with hot water and a soft brush to clean the snow thrower; never wet or spray water on the machine!

5. Do not use detergent or solvents as these could cause irreparable damage to the snow thrower. Chemicals can destroy the plastic parts.
6. To protect the snow thrower from corrosion when storing for long periods, lightly oil the metal parts.
7. Store the appliance in a dry area out of reach of children.
8. For the user's safety, worn or damaged parts must be replaced. Replace with original replacement parts only. Parts from another snow thrower may not fit properly, causing an unsafe situation.

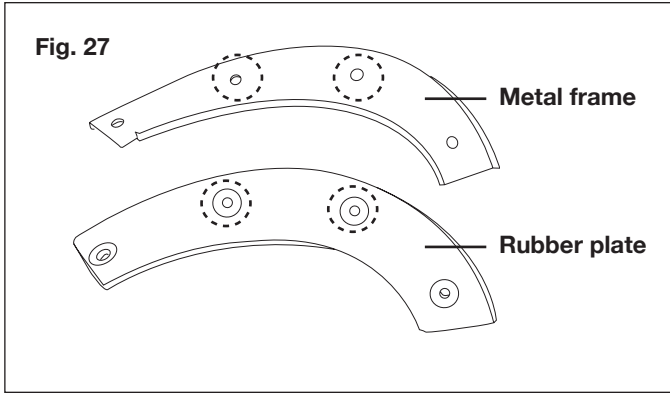
Replacing the Rubber Plates

NOTE: When replacing worn rubber plates, pay close attention to carefully distinguish between the coarse and smooth side of the plates. Place the coarse side inside and the smooth side outside.

1. Detach the worn rubber plate assembly by removing the four sets of nuts and bolts used to secure it to the auger assembly (Figs. 25 – 26).



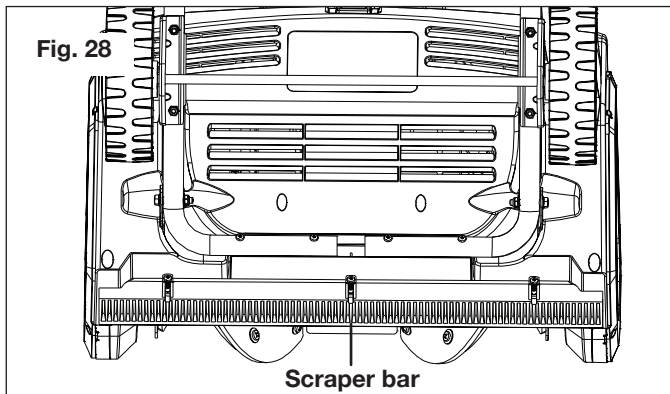
2. Loosen the middle two sets of nuts and bolts to detach the worn rubber plate from the metal frame (Fig. 27).



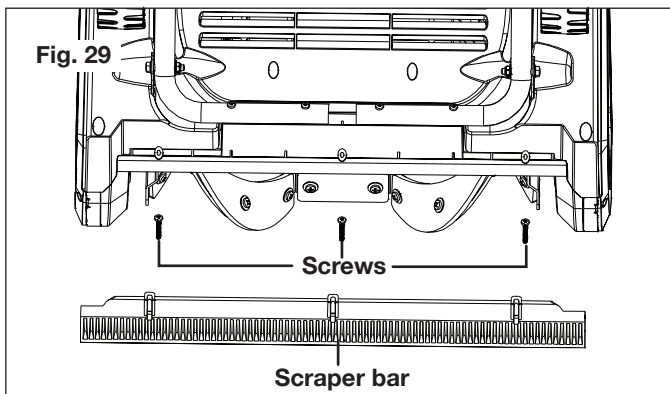
3. Attach the new rubber plate onto the metal frame by replacing and tightening the middle four sets of nuts and bolts (Fig. 27).
4. Reassemble the rubber plate assembly to the auger assembly by replacing and tightening the two sets of nuts and bolts used to secure it (Figs. 25 – 26).

Replacing the Scraper Bar

1. The scraper bar is located at the base of the snow thrower beneath the rotor housing (Fig. 28).



2. Detach the worn scraper bar from the snow thrower by removing the 3 screws that hold it in place (Fig. 29).

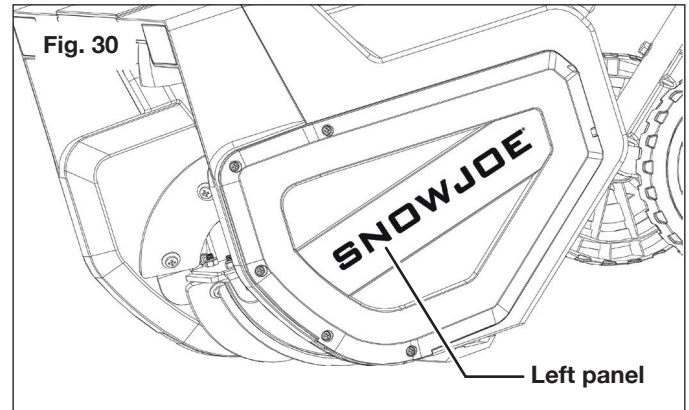


3. Install the new scraper bar and fasten it securely to the snow thrower with the 3 screws (Fig. 29).

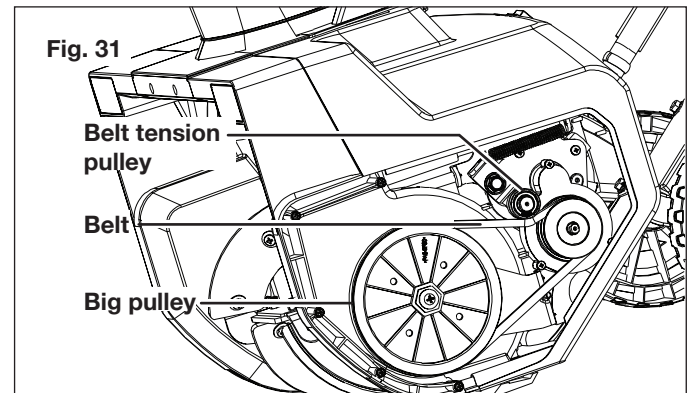
Replacing the Belt + Pulley

NOTE: Determine the left and right hand side of the snow thrower by standing behind the unit in the normal operating position.

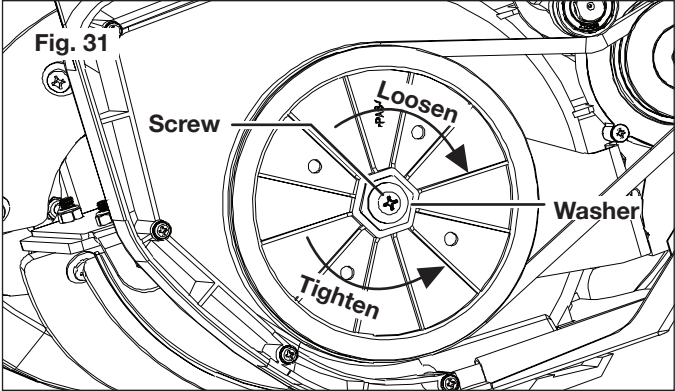
1. Remove the screws from the left panel of the snow thrower and remove the left panel (Fig. 30).



2. Lift the belt tension pulley and roll the worn belt up and off the big pulley from the top of the big pulley (Fig. 31).

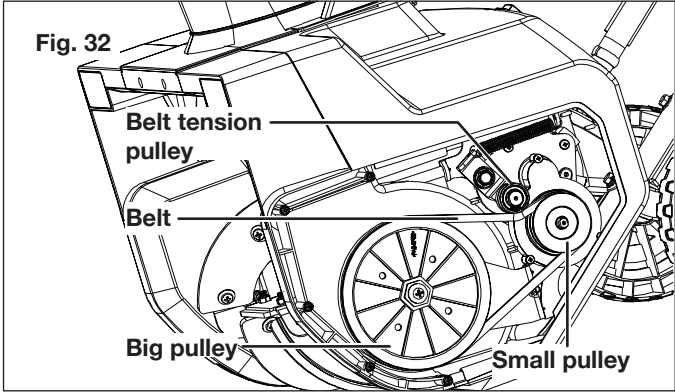


3. To replace the big pulley, remove the screw and washer from the middle of the pulley. While securing the auger so it does not spin, use a 7/8-inch socket to turn the outer nut of the pulley clockwise (the pulley is left-handed, so loosening and tightening occur in reverse orientation; clockwise to loosen and counterclockwise to tighten). Once the old pulley is removed, replace the big pulley and tighten the outer nut counterclockwise with the 7/8-inch socket. Replace and tighten the screw and washer (Fig. 31).



NOTE: Heavy wet snow puts a load on belts, thus requiring more frequent belt replacement.

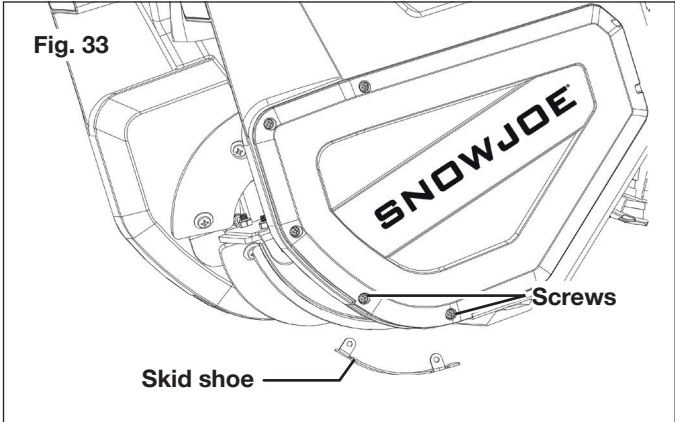
- 4. To install the new belt, lift the belt tension pulley and roll the new belt onto the small pulley at an angle. Then roll the belt onto the top of big pulley by rotating the big pulley counterclockwise as the belt grips the top of the big pulley (Fig. 32).



- 5. Replace the left panel of the snow blower with all screws (Fig. 30).

Replacing the Skid Shoes

The skid shoes are located at the bottom of the side panels. Unfasten the two screws on the side panel to remove the worn skid shoes (Fig. 33). Install the replacement by fastening it to the side panel with the same two screws.



Automatic Reset

The snow thrower has built-in automatic reset functions. In the event of a major obstruction that halts auger movement, simply unplug your unit, clear the auger obstruction, wait 60 seconds, and then resume use of your machine.

Storage

- 1. Allow the engine to cool completely before cleaning, storing, or transporting the snow thrower. Be sure to secure the unit while transporting.
- 2. Disconnect the extension cord from the snow thrower. Inspect the extension cord closely for signs of wear or damage. Replace it if it is worn or damaged.
- 3. Inspect the snow thrower carefully for worn, loose, or damaged parts. Check connections and screws and tighten if necessary. For repairing or replacing parts, contact your authorized Snow Joe® + Sun Joe® dealer or the Snow Joe® + Sun Joe® customer service center at 1-866-SNOWJOE (1-866-766-9563).
- 4. Store the unit, along with the disconnected extension cord, in a locked, dry place out of the reach of children to prevent unauthorized use or damage. Cover loosely with a tarp or with the Snow Joe® universal 24-inch electric snow thrower cover (Model SJCVR-24) for added protection. Visit snowjoe.com to purchase the cover online.

Service + Support

If your Snow Joe® SJ627E electric snow thrower requires service or maintenance, please call 1-866-SNOWJOE (1-866-766-9563) for assistance.

Model + Serial Numbers

When contacting the company, reordering parts, or arranging service from an authorized dealer, you will need to provide the model and serial numbers, which can be found on the decal on the main cover of the unit to the left of the discharge chute. Copy these numbers into the space provided below.

Record the following numbers from the housing or handle of your new product:

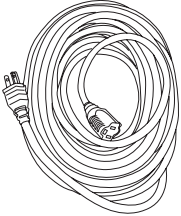
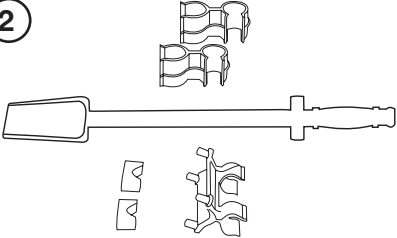
Model #: _____

S | J | 6 | 2 | 7 | E | _____

Serial #: _____

Optional Accessories

⚠️ WARNING! ALWAYS use only authorized Snow Joe® + Sun Joe® replacement parts and accessories. NEVER use replacement parts or accessories that are not intended for use with this electric snow thrower. Contact Snow Joe® + Sun Joe® if you are unsure whether it is safe to use a particular replacement part or accessory with your electric snow thrower. The use of any other attachment or accessory can be dangerous and could cause injury or mechanical damage.

Accessories	Item	Model
<p>①</p> 	<p>Snow Joe® + Sun Joe® SJTW-A 14-gauge 50-foot extension cord with lighted end</p>	<p>PJEXT50-B</p>
<p>②</p> 	<p>Universal snow thrower chute clean-out tool</p>	<p>SJCOT</p>

NOTE: Accessories are subject to change without any obligation on the part of Snow Joe® + Sun Joe® to provide notice of such changes. Accessories can be ordered online at snowjoe.com or via phone by contacting the Snow Joe® + Sun Joe® customer service center at 1-866-SNOWJOE (1-866-766-9563).



SNOW JOE® + SUN JOE® CUSTOMER PROMISE

ABOVE ALL ELSE, Snow Joe, LLC (“Snow Joe”) is dedicated to you, our customer. We strive to make your experience as pleasant as possible. Unfortunately, there are times when a Snow Joe®, Sun Joe®, or Aqua Joe® product (“Product”) does not work or breaks under normal operating conditions. We think it’s important that you know what you can expect from us. That’s why we have a Limited Warranty (“Warranty”) for our Products.

OUR WARRANTY:

Snow Joe warrants new, genuine, powered and non-powered Products to be free from defects in material or workmanship when used for ordinary household use for a period of two years from the date of purchase by the original, end-user purchaser when purchased from Snow Joe or from one of Snow Joe’s authorized sellers with proof of purchase. Because Snow Joe is unable to control the quality of its Products sold by unauthorized sellers, unless otherwise prohibited by law, this Warranty does not cover Products purchased from unauthorized sellers. If your Product does not work or there’s an issue with a specific part that is covered by the terms of this Warranty, Snow Joe will elect to either (1) send you a free replacement part, (2) replace the Product with a new or comparable product at no charge, or (3) repair the Product. How cool is that!

This Warranty gives you specific legal rights, and you may also have other rights which vary from State to State.

PRODUCT REGISTRATION:

Snow Joe strongly encourages you to register your Product. You can register online at snowjoe.com/register, or by printing and mailing in a registration card available online from our website, or calling our Customer Service Department at **1-866-SNOWJOE (1-866-766-9563)**, or by e-mailing us at help@snowjoe.com. Failure to register your Product will not diminish your warranty rights. However, registering your Product will allow Snow Joe to better serve you with any of your customer service needs.

WHO CAN SEEK LIMITED WARRANTY COVERAGE:

This Warranty is extended by Snow Joe to the original purchaser and original owner of the Product.

WHAT IS NOT COVERED?

This Warranty does not apply if the Product has been used commercially or for non-household or rental applications. This Warranty also does not apply if the Product was purchased from an unauthorized seller. This Warranty also does not cover cosmetic changes that do not affect performance. Wearing parts like belts, augers, chains and tines are not covered under this Warranty, and can be purchased at snowjoe.com or by calling **1-866-SNOWJOE (1-866-766-9563)**.



A series of 20 horizontal lines, evenly spaced, filling the majority of the page below the logo. These lines are intended for handwriting practice.



QUITANIEVE ELÉCTRICO

55.9 CM | 15 A | LUCES LED

MANUAL DEL OPERADOR

Una división de Snow Joe®, LLC

Modelo SJ627E

Forma N° SJ-SJ627E-880S-MR4


¡IMPORTANTE! Instrucciones de seguridad


Todos los operadores deberán leer estas instrucciones antes del uso

Cualquier artefacto eléctrico puede ser peligroso si se usa incorrectamente. Algunas de las precauciones de seguridad que aparecen en este manual se aplican a muchos artefactos eléctricos. Otras advertencias son específicas al uso de este quitanieve. Conserve este manual para futuras referencias.

¡ADVERTENCIAS generales de seguridad!

Usted y cualquier otro operador de este quitanieve deberán leer, entender y seguir estas instrucciones en su totalidad, y deberán volver a leerlas al inicio de cada temporada de nieve. No seguir todas las instrucciones puede causar un CHOQUE ELÉCTRICO, INCENDIO y/o LESIONES PERSONALES severas.

Preste atención al símbolo  de alerta de seguridad personal usado en este manual para enfocar su atención a una ADVERTENCIA dada junto a una instrucción de operación particular. Esto significa que la operación requiere ATENCIÓN, PRECAUCIÓN Y CAUTELA especiales.

- 1. Mantenga el área de trabajo limpia y bien iluminada.** Las áreas de trabajo abarrotadas y las áreas oscuras provocan accidentes.
- 2. No opere el quitanieve en una atmósfera explosiva,** como en presencia de líquidos inflamables, gases o polvo. Las herramientas eléctricas crean chispas que pueden encender los polvos o gases.
- 3. Mantenga a las mascotas, niños y espectadores alejados del área de trabajo.** Tenga en cuenta que el ruido normal de la máquina al estar funcionando puede hacer difícil para usted oír a la gente acercarse. Los visitantes deben usar gafas de seguridad y ser mantenidos a una distancia segura, lejos del área de trabajo. No permita que los espectadores toquen el quitanieve o el cable de extensión.
- 4. Los enchufes deben encajar en los tomacorrientes.** Nunca modifique el enchufe de ninguna manera. No use ningún enchufe adaptador con artefactos que tengan conexión a tierra. El uso de enchufes no modificados y tomacorrientes equivalentes reducirá el riesgo de un choque eléctrico.
- 5. Evite el contacto del cuerpo con superficies conectadas a tierra** (es decir, tuberías de agua en cielo raso o subterráneas, radiadores, cocinas, refrigeradores, hornos microondas y estructuras externas de equipos calefactores). Tome las precauciones necesarias para evitar un choque eléctrico. Hay un mayor riesgo de choque eléctrico si su cuerpo está conectado a tierra.
- 6. No maltrate el cable.** Mantenga el cable alejado del calor, aceite, bordes afilados o partes en movimiento. Nunca jale el quitanieve por su cable, o tire del cable para desconectarlo del tomacorriente. Los cables dañados o enredados aumentan el riesgo de un choque eléctrico.
- 7. Reemplace o repare apropiadamente los cables dañados.** Si el cable se daña de cualquier manera mientras está enchufado en el tomacorriente de pared, tire inmediatamente del enchufe del cable de extensión y retírelo del tomacorriente.
- 8. El contacto con el agua durante la operación del quitanieve puede resultar en un choque eléctrico y graves lesiones personales.** No use el quitanieve en lugares húmedos o mojados, ni bajo la lluvia. No toque el enchufe o el artefacto con las manos húmedas ni mientras esté parado sobre agua.
- 9.  ¡ADVERTENCIA! Use cables de extensión de los siguientes tipos: SW-A, SOW-A, STW-A, STOW-A, SJW-A, SJWTW-A o SJTOW-A.** Estos cables están especificados para uso en exteriores y reducen el riesgo de un choque eléctrico.
- 10. Apague el interruptor de alimentación y desconecte el cable de alimentación antes de llevar a cabo cualquier ajuste, inspección, mantenimiento, reparación, cambio de accesorios o limpieza del quitanieve. Siga el mismo procedimiento si otras condiciones peligrosas están presentes durante la operación.** Cualquier ajuste a la unidad debe ser llevado a cabo después de que las partes giratorias dentro del quitanieve se hayan detenido por completo. Estas medidas preventivas de seguridad reducen el riesgo de un encendido accidental del quitanieve.
- 11. Si usted ve que el cable de alimentación principal o el cable de extensión están dañados, desconecte la alimentación y desconecte el enchufe del receptáculo inmediatamente.** Repare el cable o reemplácelo de ser necesario.

12. **Al reemplazar cualquiera de las partes, usted debe seguir estrictamente las instrucciones y procedimientos descritos en este manual del operador.** Se debe tener especial cuidado con las partes de goma, ya que estas partes, de estar dañadas, pueden aumentar la carga del motor y reducir su potencia mecánica.
13. **No mueva o transporte el quitanieve cuando su enchufe esté conectado al receptáculo de alimentación y su interruptor esté en la posición de encendido.**
14. **Si, durante el uso, usted nota que la unidad está funcionando de forma inestable u oye ruidos anormales provenientes del motor, detenga la máquina, desconéctela de la fuente de alimentación y comuníquese con un centro de servicio Snow Joe® + Sun Joe®.**

Seguridad eléctrica

1. Un interruptor de circuito de falla de conexión a tierra (GFCI) deberá proteger al(a los) circuito(s) o tomacorriente(s) a ser utilizado(s) para el quitanieve. Hay receptáculos disponibles con protección incorporada GFCI y pueden ser utilizados para esta medida de seguridad.
2. Para evitar un choque eléctrico, trabaje solo con cables de extensión adecuados para uso en exteriores, tales como SW-A, SOW-A, STW-A, STOW-A, SJW-A, SJOW-A, SJTW-A o SJTOW-A.

Antes del uso, verifique que el cable de extensión esté en buenas condiciones. Asegúrese de usar un cable de extensión lo suficientemente fuerte para poder transportar toda la electricidad que su equipo consumirá. Un cable de extensión demasiado fino causará una caída de tensión de alimentación produciendo pérdida de potencia y recalentamiento.

3. Para reducir el riesgo de un choque eléctrico, este artefacto posee un enchufe polarizado (es decir, una pata es más ancha que la otra). Use este artefacto solo con un cable de extensión polarizado y aprobado por UL, CSA o ETL para uso en exteriores y todo tipo de clima. El enchufe del artefacto encajará en el receptáculo del cable de extensión polarizado de una sola manera. Si el enchufe del artefacto no entra por completo dentro del receptáculo del cable de extensión, invierta las clavijas del enchufe. Si el enchufe aún no encaja dentro del receptáculo del cable de extensión, obtenga un cable de extensión polarizado correcto. Un cable de extensión polarizado requerirá el uso de un tomacorriente polarizado. El enchufe del cable de extensión encajará en el tomacorriente polarizado de la pared de una sola manera. Si el enchufe no entra por completo dentro del tomacorriente de la pared, invierta las clavijas del enchufe. Si el enchufe aún no encaja, contacte a un electricista calificado para la instalación de un tomacorriente de pared apropiado. No modifique el enchufe del artefacto, ni el receptáculo del cable de extensión, ni el enchufe del cable de extensión en forma alguna.



ADVERTENCIA



Un choque eléctrico puede causar LESIONES PERSONALES SEVERAS o LA MUERTE. Tenga en cuenta estas advertencias:

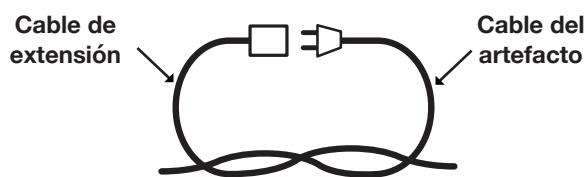
- No deje que ninguna parte del quitanieve eléctrico haga contacto con agua mientras esté funcionando. Si la máquina se moja mientras está apagada, séquela antes de encenderla.
- Use solo un cable de extensión aprobado por UL, CSA o ETL y recomendado para uso en exteriores y todo tipo de clima, tal como el cable de extensión de 50 pies y calibre 14 SJTW-A de Snow Joe®+ Sun Joe® con extremo iluminado (modelo PJEXT50-B). Visite snowjoe.com para comprar este cable de extensión, o pídalo llamando al 1-866-SNOWJOE (1-866-766-9563).
- No use un cable de extensión de más de 100 pies (30 m).
- No toque el artefacto ni su enchufe con las manos húmedas ni mientras esté parado sobre agua. Usar botas de hule le dará algo de protección.

TABLA DE CABLES DE EXTENSIÓN

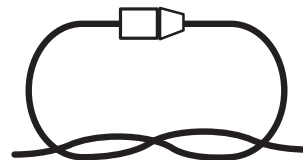
Longitud de cable de extensión:	Hasta 50 pies (15 m)	+50 pies - 100 pies (+15 m - 30 m)
Calibre de alambre mínimo (AWG):	14	12

4. Para evitar que el cable del artefacto se desconecte del cable de extensión durante la operación, use el gancho incorporado de restricción para cable y/o haga un nudo con los dos cables tal como se muestra en el gráfico 1.

Gráfico 1: método para asegurar el cable de extensión



(A) Ate el cable como se indica



(B) Conecte el enchufe y el receptáculo

5. No maltrate el cable. Nunca jale el quitanieve tirando su cable, ni tire de este para desconectarlo del enchufe. Mantenga el cable alejado del calor, aceites y bordes filosos.

Seguridad personal

- 1. Manténgase alerta:** vea lo que está haciendo y utilice su sentido común al operar este quitanieve. No use el quitanieve cuando se encuentre cansado, enfermo, o bajo la influencia de drogas, alcohol o medicamentos. Un momento de distracción puede resultar en lesiones personales severas.
- 2. Use vestimenta adecuada:** el uso de botas de goma proporcione una protección adicional contra choques eléctricos. No use ropa suelta o joyas ya que pueden engancharse en las partes móviles. Use una gorra o protección para la cabeza con el fin de mantener su cabello alejado de las partes giratorias de la máquina. Las gafas protectoras ofrecen una mejor protección que las gafas comunes.
- 3. Las partes móviles presentan riesgos:** mantenga su rostro, cabello, vestimenta, manos y pies lejos de cualquier parte móvil. Todos los protectores y accesorios de seguridad deben estar instalados apropiadamente antes de usar el quitanieve. Apague el quitanieve y desconecte el cable antes de tocar cualquier pieza que no sean el mango ni el interruptor.
- 4. Superficies:** este quitanieve está diseñado para su uso sobre superficies pavimentadas. No use el quitanieve sobre grava, piedras u otras superficies no pavimentadas, a no ser que sea modificado para dichas superficies, de acuerdo con las instrucciones que aparecen en el manual del operador.
- 5. Evite encendidos accidentales:** asegúrese de que el interruptor esté en la posición de APAGADO antes de enchufar la unidad. No transporte el quitanieve con el dedo sobre el interruptor de encendido/apagado.
- 6. Posición del cuerpo:** mantenga con sus pies un balance y posición adecuados en todo momento. Coloque sus talones firmemente en el piso y sujete fuertemente el mango. Esté atento a superficies desniveladas y no se extienda demasiado. En caso de que usted se caiga o choque contra el quitanieve, inspeccione la unidad en busca de daños o resquebrajaduras. Al retroceder, tenga especial cuidado y evite obstáculos cerca de sus pies o detrás suyo para evitar tropezar y caer.
- 7. Si el quitanieve golpea un objeto, inmediatamente detenga el quitanieve, y luego inspecciónelo en busca de cualquier daño:** repare cualquier daño antes de reiniciar y operar el quitanieve.

Instrucciones de seguridad para quitanieves de rodadura

- **Lea cuidadosamente el manual del operador:** entérese de las aplicaciones y limitaciones de su quitanieve; así como los peligros potenciales específicos relacionados con esta máquina. Esta máquina no debe ser empleada en trabajos para los que no se ha diseñado; de otro modo puede causar fallas mecánicas, daños serios o lesiones personales de consideración.
- **Inspección preliminar de la unidad:** inspeccione minuciosamente la unidad antes del uso. Asegúrese de que todas las partes estén seguras e instaladas correctamente. Si usted nota cualquier anomalía, no use la máquina hasta que dicha anomalía haya sido corregida correctamente.

Lleve a cabo una prueba la primera vez que use el quitanieve, o siempre después de haber reemplazado partes para asegurarse de que el quitanieve funcione correctamente.
- **Inspección preliminar del área:** limpie el área a ser trabajada antes de cada uso. Retire todos los objetos tales como rocas, vidrios rotos, clavos, alambres o cuerdas; los cuales pueden ser arrojados o enredarse dentro del quitanieve. Mantenga el área de trabajo libre de espectadores (especialmente niños) y mascotas.
- **Fuerza excesiva:** este quitanieve fue diseñado con el propósito de responder a un ritmo de trabajo determinado en diversas condiciones de nieve, para una seguridad y rendimiento óptimos. No lo fuerce. Mantenga la presión constante.
- **Interruptor defectuoso:** no use el quitanieve si su interruptor no enciende ni apaga la máquina. Cualquier artefacto eléctrico que no pueda ser controlado por un interruptor no es seguro y deberá ser reparado.
- **Golpear un objeto:** si el quitanieve golpea accidentalmente un objeto, siga estos pasos:
 - i) Detenga el quitanieve y desenchúfelo del tomacorriente;
 - ii) Inspeccione la unidad en busca de daños; y
 - iii) Repare o reemplace cualquier pieza dañada antes de volver a encender y operar el quitanieve.
- **Seguridad para el conducto de descarga:** nunca apunte el conducto de descarga de nieve directamente al operador, a los espectadores, a vehículos o a ventanas. El chorro de nieve y los objetos extraños recogidos accidentalmente y lanzados por el quitanieve pueden causar daños materiales y lesiones personales severas. No use sus manos para desatascar el conducto de descarga. Detenga el motor antes de retirar residuos.
- **Posición de operación sosteniendo la máquina con las manos:** la operación del quitanieve sosteniéndolo con las manos es insegura.

- **Operación anormal:** si usted nota que el quitanieve no está funcionando correctamente u oye sonidos anormales provenientes del motor, detenga inmediatamente la máquina, desconéctela de su fuente de alimentación, y contacte a un representante Snow Joe® + Sun Joe®, o llame a la central de servicio al cliente Snow Joe® + Sun Joe® al 1-866-SNOWJOE (1-866-766-9563).
- **Control de ruido:** al usar el quitanieve, usted debe respetar las leyes y normas locales con respecto al control de ruido y la protección del medio ambiente. Para evitar perturbaciones de ruido, usted debe elegir a conciencia una hora de operación apropiada y tomar en cuenta las condiciones del entorno.
- **Cuando el trabajo esté concluido:** desconecte el quitanieve de la fuente de alimentación cuando no esté en uso, al cambiar accesorios, y antes de llevar a cabo cualquier operación de mantenimiento.
- **Almacenamiento seguro:** guarde este quitanieve en interiores, en un área seca, después de cada uso. Manténgalo en un área bajo llave, a donde no puedan acceder niños ni personas no autorizadas. No guarde la máquina mientras esté conectada a la fuente de alimentación ya que esto puede causar daños materiales y lesiones personales.
- **Mantenimiento para seguridad y durabilidad:** verifique que las partes móviles no estén desalineadas o trabadas, que no haya partes rotas y que no esté presente cualquier otra condición que pueda perjudicar el funcionamiento del quitanieve. De estar dañada una parte, repárela o reemplácela antes de usar el quitanieve. Use solamente partes de repuesto diseñadas específicamente para su modelo. Al reemplazar cualquier parte, usted debe seguir estrictamente las instrucciones y procedimientos descritos en este manual. Se debe tener especial cuidado con las partes de goma ya que éstas, de estar dañadas, pueden aumentar la carga del motor y reducir su potencia mecánica. ¡Verifique siempre que todos los pernos, tuercas y perillas estén ajustados antes de usar el quitanieve!

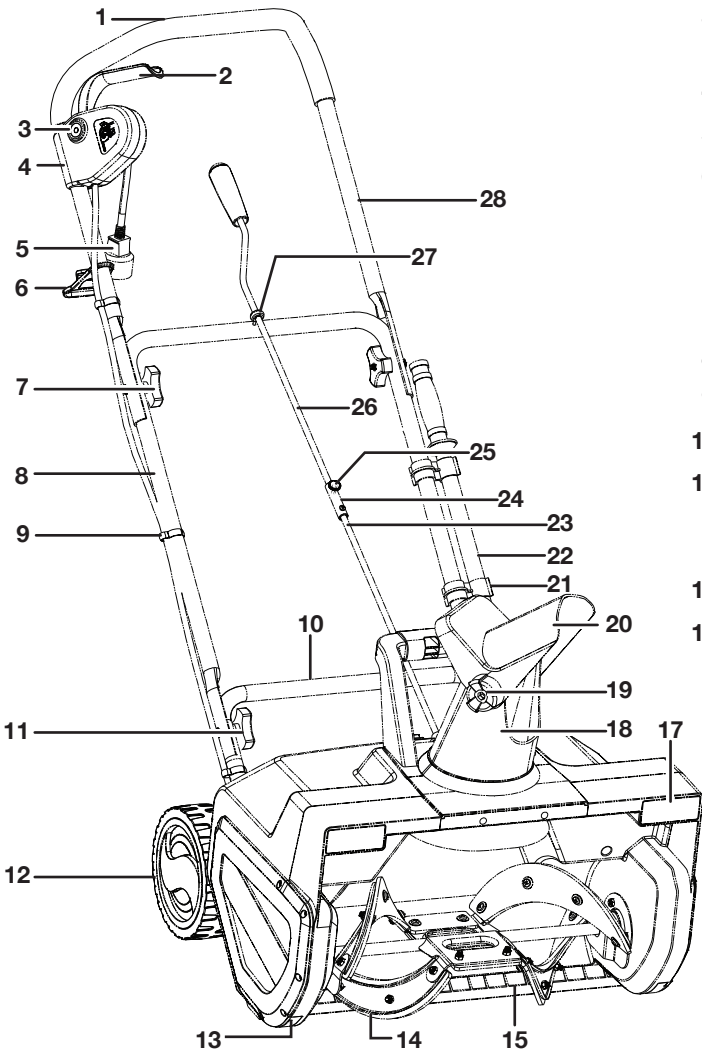
Símbolos de seguridad

La siguiente tabla describe los símbolos de seguridad que pueden aparecer en este producto. Lea, comprenda y siga todas las instrucciones relacionadas a esta máquina antes de intentar ensamblarla y operarla.

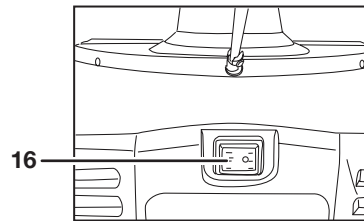
Símbolo	Descripción	Símbolo	Descripción
	LEA EL(LOS) MANUAL(ES) DEL OPERADOR: lea, comprenda y siga todas las instrucciones en el(los) manual(es) antes de intentar ensamblar y operar esta unidad.		Desconecte el enchufe antes de llevar a cabo cualquier reparación o cuando el cable esté dañado o enredado.
	ALERTA DE SEGURIDAD: indica una precaución, advertencia o peligro.		Es obligatorio usar en todo momento gafas protectoras o una visera para proteger los ojos y el rostro.
	Tenga cuidado con piedras y otros objetos que puedan ser lanzados desde el artefacto. Mantenga a todos los transeúntes, niños y animales domésticos a una distancia segura, lejos del área de trabajo.		Mantenga el cable de alimentación flexible alejado de las cuchillas de corte.
	¡ADVERTENCIA! No exponga la unidad a la lluvia o a condiciones húmedas. Manténgala seca.		Mantenga siempre el cable de alimentación alejado de fuentes de calor, aceites o bordes afilados. Retire inmediatamente el enchufe del tomacorriente si el cable se daña o se enreda.
	Utilice guantes protectores y calzado no deslizante al operar esta máquina y al manipular desechos.		¡PRECAUCIÓN! Tenga cuidado con piedras y otros objetos extraños que puedan ser lanzados desde el artefacto.
 	Mantenga las manos y pies alejados de las partes giratorias.		Mantenga las manos alejadas de las partes giratorias del quitanieve. Las partes giratorias pueden causar lesiones corporales severas.
	¡PELIGRO! Peligro de corte/mutilación: mantenga las manos lejos del rotor giratorio. No use las manos para desatascar la carcasa del rotor. Detenga el motor antes de retirar residuos.	 	Mantenga los pies alejados de las partes giratorias del quitanieve. Las partes giratorias pueden causar lesiones corporales severas.
	La parte giratoria seguirá girando continuamente durante varios segundos después de que haya apagado la máquina.		Doble aislamiento.

Conozca su quitanieve

Lea cuidadosamente el manual del operador y las reglas de seguridad antes de operar su quitanieve eléctrico. Compare la ilustración debajo con la unidad real para familiarizarse con las ubicaciones de los diversos controles y ajustes. Guarde este manual para referencias futuras.



- | | |
|--|--|
| 1. Mango suave | 14. Barrena |
| 2. Interruptor de encendido/apagado | 15. Barra raspadora |
| 3. Botón de trabado de seguridad | 16. Interruptor de luces |
| 4. Caja de interruptor | 17. Luces frontales (x2) |
| 5. Cable del artefacto | 18. Conducto de descarga |
| 6. Gancho de sujeción para cable de extensión | 19. Perilla de deflector |
| 7. Tuercas de mariposa y pernos superiores (dos juegos) | 20. Deflector de conducto |
| 8. Marco intermedio | 21. Ganchos para herramienta de limpieza de conducto |
| 9. Ganchos para cable (x3) | 22. Herramienta de limpieza de conducto |
| 10. Marco inferior | 23. Manivela inferior de conducto |
| 11. Tuercas de mariposa y pernos inferiores (dos juegos) | 24. Conector de manivela |
| 12. Rueda (x2) | 25. Tornillo de ajuste manual |
| 13. Zapatas antideslizantes (x2) | 26. Manivela superior de conducto |
| | 27. Anillo de goma |
| | 28. Marco superior |



Atrás

Datos técnicos

Motor.....	15 A	Distancia máxima de lanzamiento.....	25 pies (7.6 m)
Voltaje nominal.....	120 V CA, 60 Hz	Capacidad máxima de despeje.....	840 lb/min (381 kg/min)
Luces.....	Dos luces LED de 1.5 W	Control direccional.....	Conducto ajustable 180°
Velocidad sin carga.....	2,700 RPM	Rotor.....	Cuatro hojas de acero con bordes de goma
Ancho de despeje.....	22 plg (55.9 cm)	Tipo de nieve.....	Ligera, suelta
Profundidad de limpieza.....	13 plg (33 cm)	Peso neto.....	33 lb (15 kg)

Desembalaje

El paquete contiene:

- Quitanieve con marco intermedio y marco superior
- Manivela superior
- Manivela inferior de conducto
- Herramienta de limpieza de conducto con dos (2) ganchos
- Gancho de sujeción para cable de extensión
- Ganchos para cable (x3)
- Tuercas de mariposa y pernos (4 juegos)
- Manuales con tarjeta de registro

1. Retire cuidadosamente el quitanieve eléctrico y compruebe que todos los artículos anteriores estén incluidos.
2. Inspeccione cuidadosamente el producto para asegurarse de que no haya ocurrido ningún daño o ruptura durante el transporte. Si alguna parte está dañada o extraviada, NO DEVUELVA la unidad a la tienda. Comuníquese con la central de servicio al cliente Snow Joe® + Sun Joe® llamando al 1-866-SNOWJOE (1-866-766-9563).

NOTA: no se deshaga de la caja de transporte ni del material de embalaje hasta que usted esté listo para usar su quitanieve eléctrico. El empaquetado está hecho de materiales reciclables. Deshágase apropiadamente de estos materiales según los reglamentos locales, o guarde el empaquetado para un almacenamiento del producto a largo plazo.

¡IMPORTANTE! El equipo y los materiales de embalaje no son juguetes. No permita que niños jueguen con bolsas plásticas, láminas o partes pequeñas. ¡Estos objetos pueden ser tragados y representan un riesgo de asfixia!

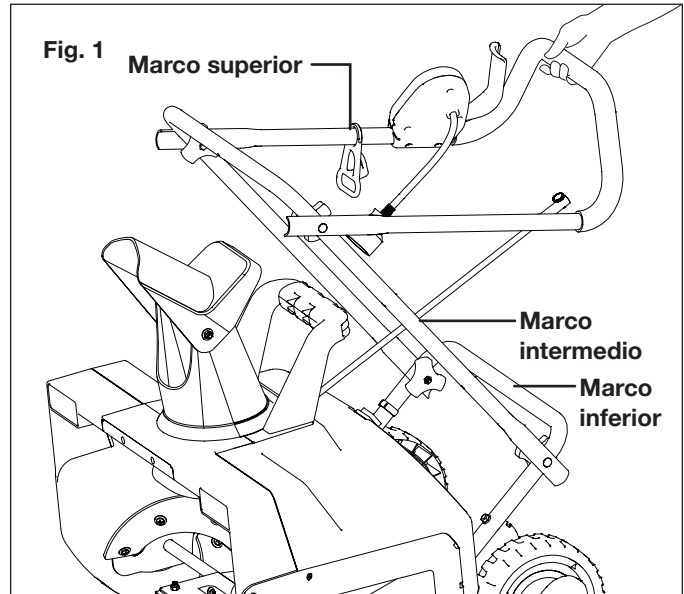
Ensamblado

⚠ ¡ADVERTENCIA! Inspeccione el cableado, el cual, de haber sido dañado durante el transporte, puede causar severas lesiones personales durante el uso del quitanieve. Si se detecta o sospecha algún daño, no ensamble el artefacto. Más bien, comuníquese con la central de servicio al cliente Snow Joe® + Sun Joe® llamando al 1-866-SNOWJOE (1-866-766-9563) para recibir asistencia.

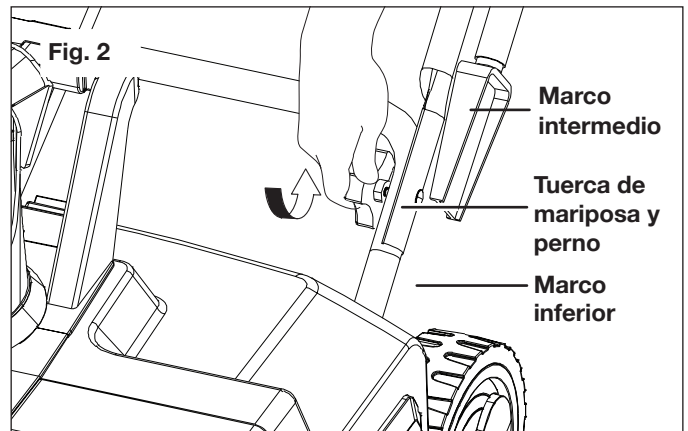
Ensamble el artefacto cuidadosamente, de tal manera que el cableado eléctrico no se dañe.

Ensamblado de la estructura del mango

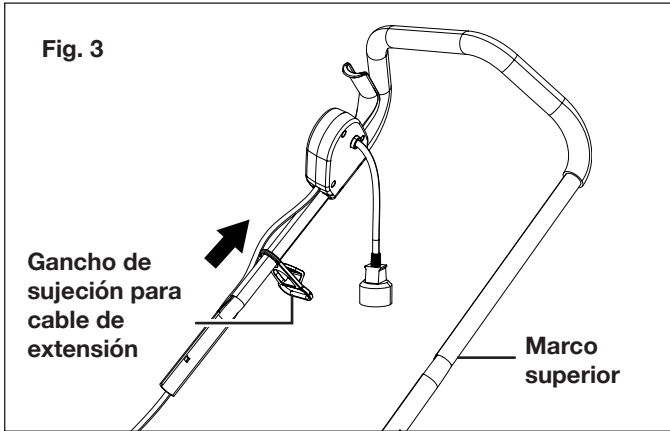
1. Para un fácil ensamblado, la unidad viene completa, con la mayoría de sus partes ya instaladas. Para completar el ensamblado del mango, simplemente jale el marco intermedio hacia atrás y levante el marco superior (Fig. 1).



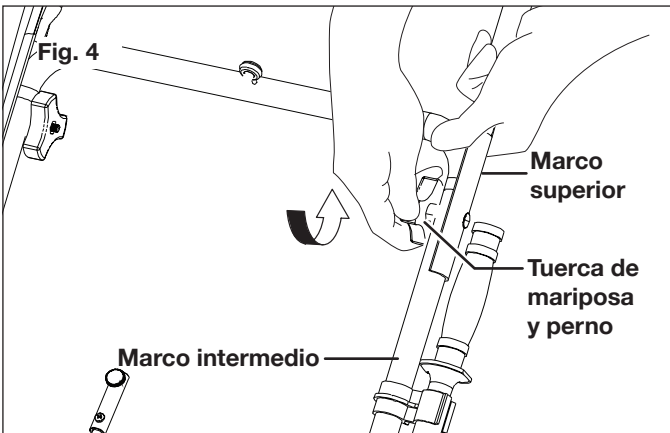
2. Asegure la conexión del marco intermedio con el marco inferior ajustando el primer juego de tuercas de mariposa y pernos en ambos lados (Fig. 2).



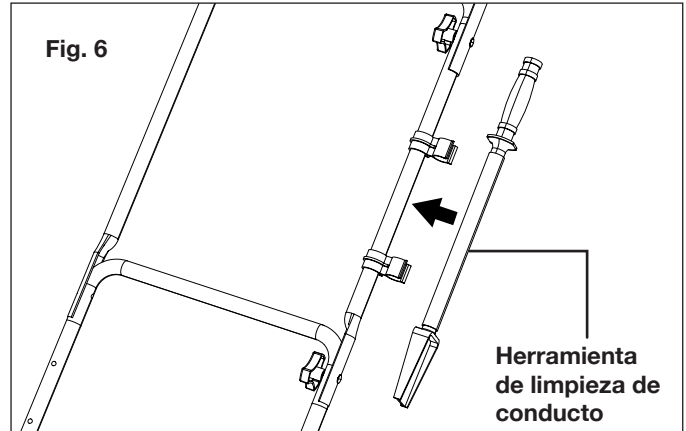
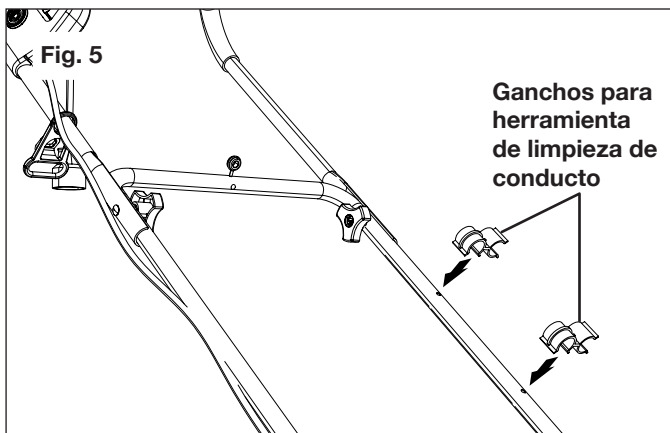
3. Antes de asegurar el marco superior, deslice hacia arriba el gancho de sujeción de cable de extensión por el marco superior (Fig. 3).



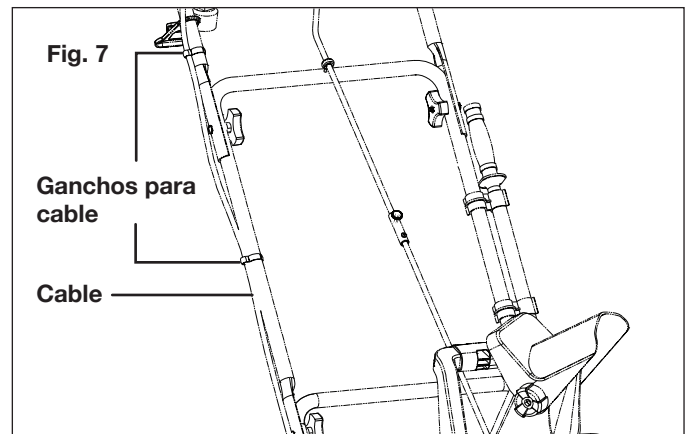
4. Asegure la conexión del marco superior con el marco intermedio ajustando el segundo juego de tuercas de mariposa y pernos en ambos lados (Fig. 4).



5. Conecte los dos ganchos de herramienta de limpieza en el lado del marco intermedio, e inserte la herramienta de limpieza en los ganchos (Figs. 5 y 6).

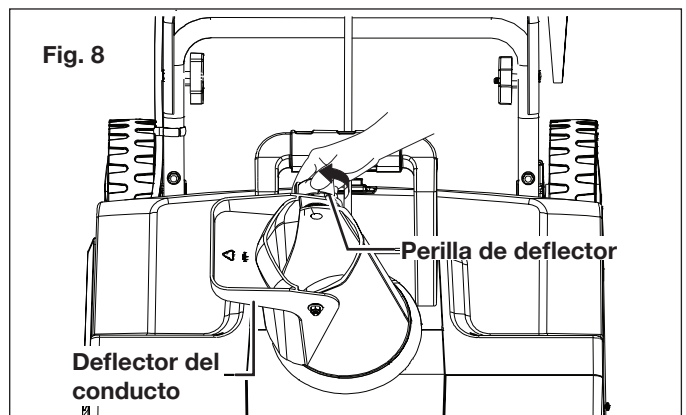


6. Conecte los dos ganchos para cable en el marco e inserte el cable dentro de los ganchos (Fig. 7).

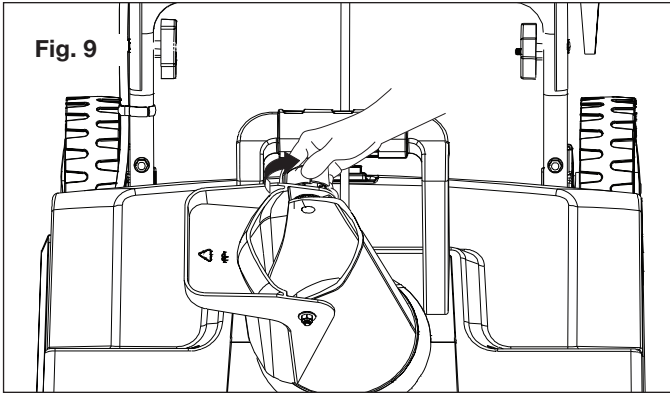


Ensamblado del conducto de descarga

1. Afloje la perilla para levantar el deflector del conducto (Fig. 8).



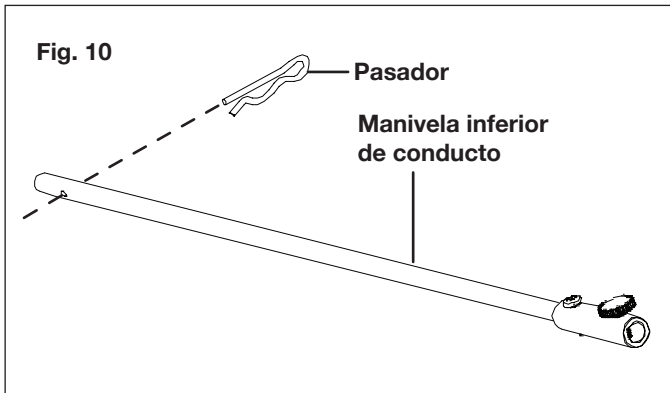
2. Asegure el deflector del conducto trabando la perilla de deflector (Fig. 9).



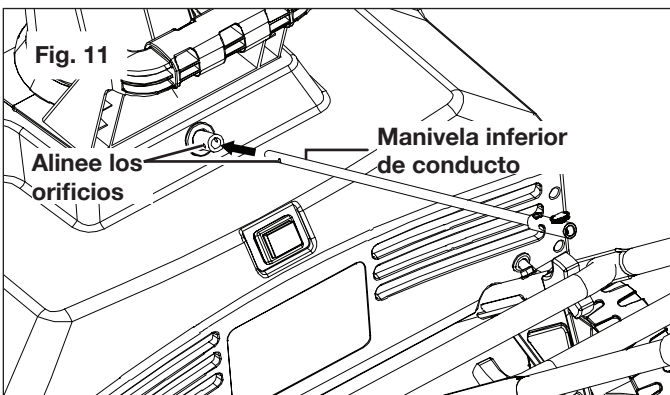
NOTA: no sobreajuste la perilla.

Ensamblado de la manivela de conducto

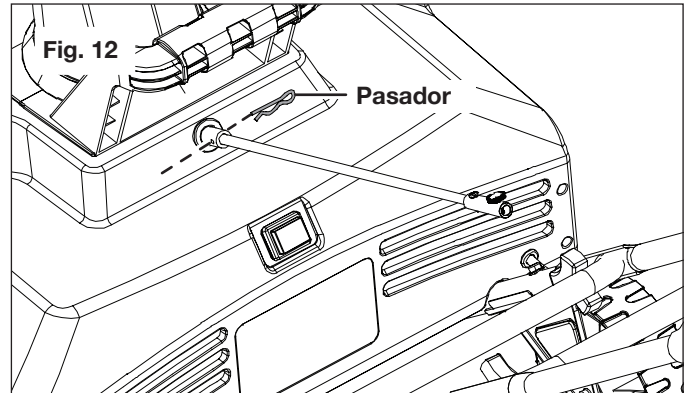
1. Retire el pasador de la manivela inferior del conducto (Fig. 10).



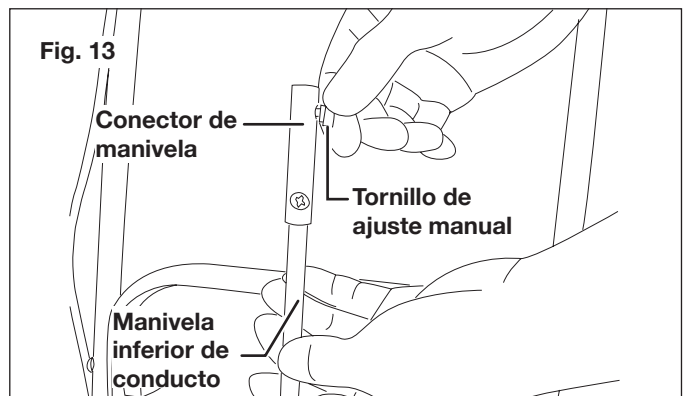
2. Instale la manivela inferior insertándola en la abertura en la parte trasera de la carcasa, con los orificios alineados (Fig. 11).



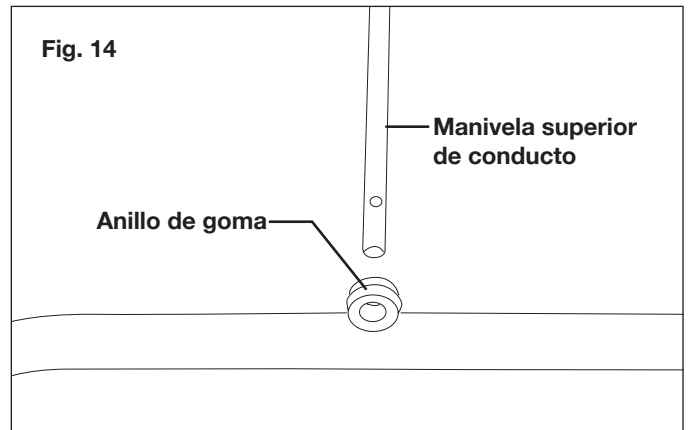
3. Asegure la manivela inferior de conducto en su lugar con el pasador (Fig. 12).



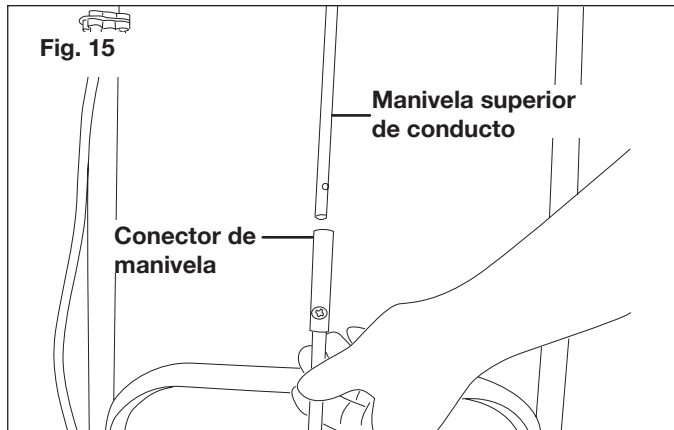
4. Con su mano, retire el tornillo de ajuste manual del conector de manivela (Fig. 13).



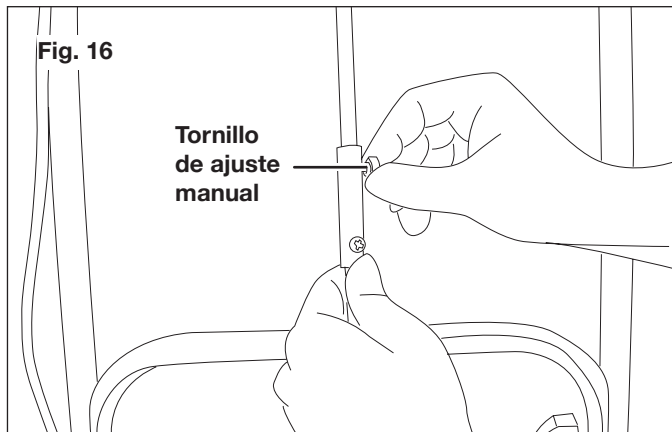
5. Deslice la manivela superior de conducto a través del anillo de goma ubicado en el marco intermedio (Fig. 14).



3. Introduzca la manivela superior del conducto dentro del conector de manivela (Fig. 15).



4. Alinee los orificios de tornillo y apriete con su mano el tornillo de ajuste manual (Fig. 16).

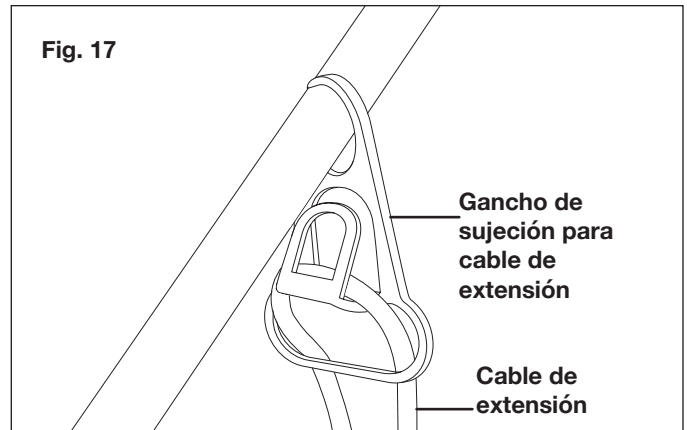


Operación

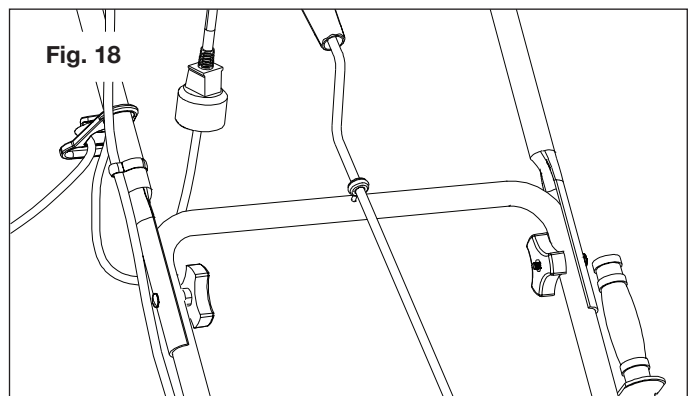
NOTA: antes de usar esta máquina, asegúrese de que la fuente de alimentación que vaya a utilizar cumpla con las especificaciones detalladas en este manual. Antes de insertar el enchufe en el receptáculo, verifique que la barrena y las placas de goma del quitanieve estén firmemente aseguradas con los tornillos, y que las placas de goma estén de cara a la dirección correcta. Lleve a cabo un encendido de prueba para asegurarse de que el rotor gire libremente.

Sujeción del cable de extensión

1. Para un uso seguro y eficiente de su quitanieve, utilice únicamente un cable de extensión certificado por UL y recomendado para uso al aire libre. Consulte la **tabla de cables de extensión** en la página 2.
2. Empuje el bucle del cable de extensión a través de la ranura desde el lado opuesto del gancho de sujeción. Posicione el bucle sobre el gancho y jale el cable de vuelta a través de la ranura (Fig. 17).



3. Inserte el extremo hembra del cable de extensión en el conector macho polarizado del artefacto (Fig. 18).



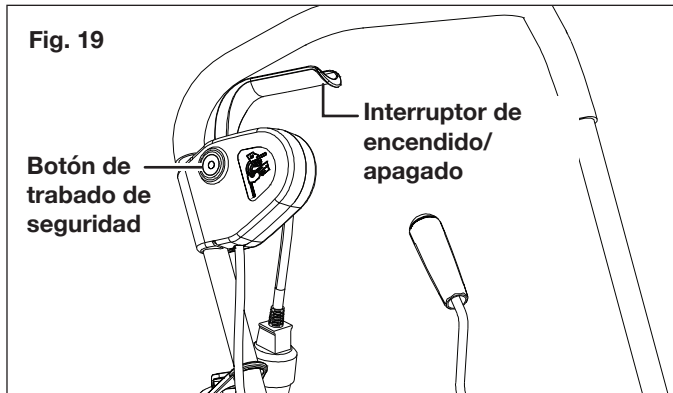
⚠ ¡ADVERTENCIA! Los cables de alimentación dañados representan riesgos de incendio, choque eléctrico y lesiones corporales severas.

Antes de operar el quitanieve, examine cuidadosamente el cable de alimentación. Si el cable está dañado, no utilice el quitanieve. Reemplace o repare el cable dañado inmediatamente. Si necesita ayuda, comuníquese con un distribuidor autorizado Snow Joe® + Sun Joe® o llame a la central de servicio al cliente Snow Joe® + Sun Joe® al 1-866-SNOWJOE (1-866-766-9563).

Encendido y apagado

⚠ ¡ADVERTENCIA! El rotor empieza a girar inmediatamente después de que se encienda el quitanieve. Mantenga las manos y pies alejados de la barrena giratoria.

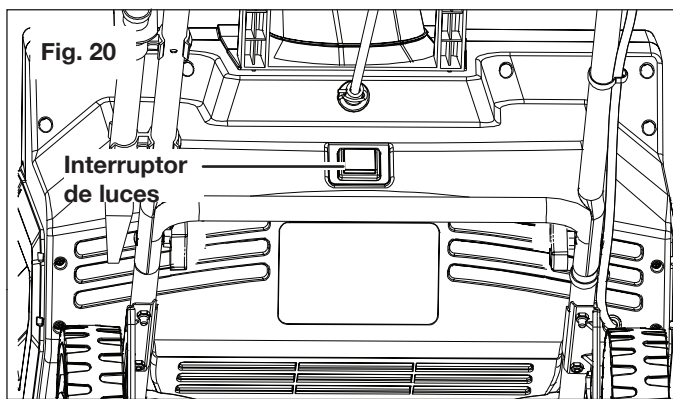
1. Para encender la unidad, presione el botón de trabado de seguridad ubicado a un lado de la carcasa del interruptor, y manténgalo presionado (Fig. 19).
2. Mientras mantiene presionado el botón de trabado de seguridad, jale la palanca de encendido hacia usted. Una vez que la máquina se encienda, suelte el botón de trabado de seguridad y empiece con la operación (Fig. 19). La máquina solo puede ser encendida primero presionando el botón de trabado de seguridad, y luego jalando la palanca de encendido. Lo inverso no encenderá la máquina.



3. Para apagar la máquina, suelte la palanca de encendido.

Luz frontal

El quitanieve está equipado con dos luces frontales que sirven para iluminar su trayectoria en la oscuridad. Para usar las luces, encienda el interruptor de luces ubicado en la parte posterior del quitanieve, debajo de su manivela (Fig. 20).



NOTA: las luces se encenderán solo cuando el quitanieve esté funcionando. Luego de finalizar su sesión de trabajo, **RECUERDE APAGAR** el interruptor de luces.

Movimiento de máquina y retiro de nieve

⚠ ¡ADVERTENCIA! Objetos extraños, como piedras, vidrios rotos, clavos, alambres o cuerdas pueden ser recogidos y arrojados por el quitanieve, causando lesiones personales severas.

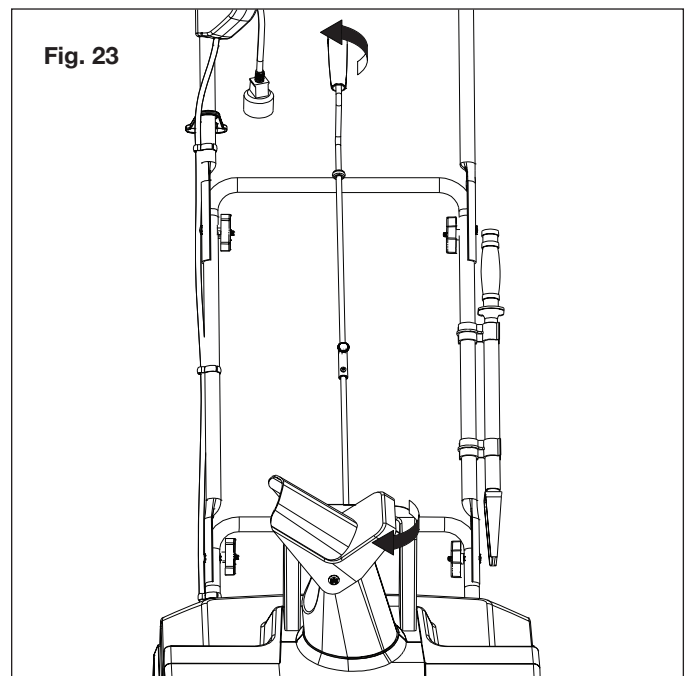
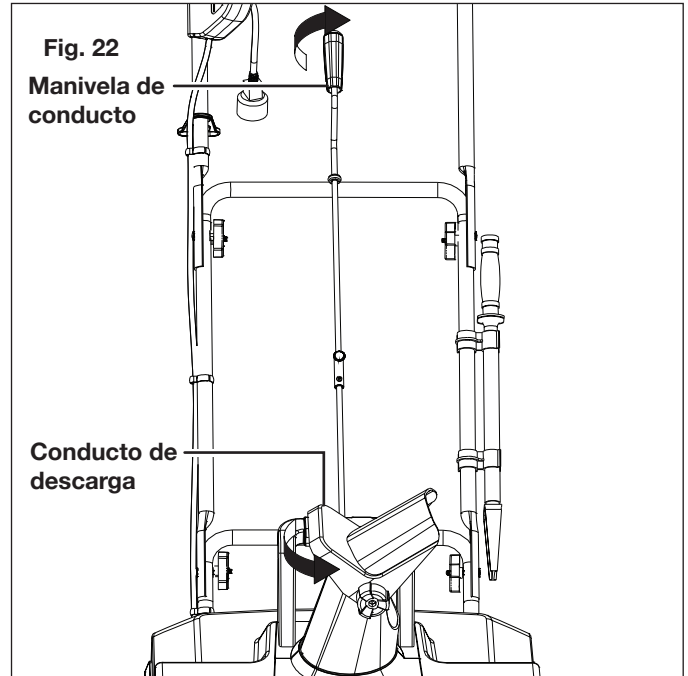
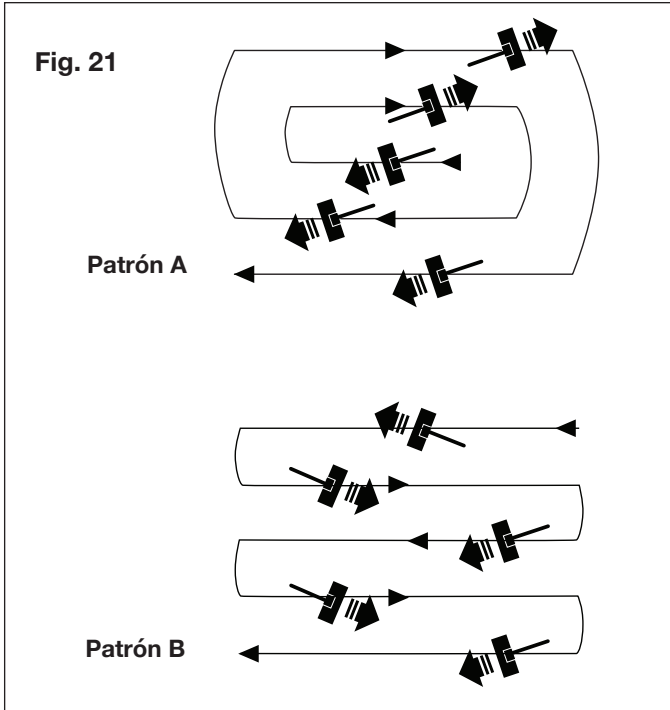
Retire todos los objetos extraños del área a ser trabajada antes de operar el quitanieve.

1. Mantenga el área de operación libre de objetos extraños que puedan ser arrojados por las hojas del rotor. Lleve a cabo una inspección completa del área, ya que algunos objetos pueden estar ocultos a la vista por la nieve que los rodea. Si el quitanieve golpea una obstrucción o recoge un objeto extraño durante su uso, detenga el quitanieve, desconecte el cable de extensión, retire la obstrucción e inspeccione la unidad para ver si se ha dañado. Repare o reemplace cualquier parte dañada antes de volver a encender y operar el quitanieve.

2. Mantenga a las mascotas, niños y espectadores alejados del área de trabajo. Tenga en cuenta que el ruido normal de la máquina al ser encendida puede hacer difícil para usted oír a la gente acercarse.
3. Al mover el quitanieve, use las ruedas en un lado como punto de pivote. Incline ligeramente el quitanieve sobre dicho punto de pivote para moverlo hacia adelante o hacia atrás.
4. Empiece su ruta de limpieza cerca al tomacorriente y trabaje hacia afuera, lanzando la nieve en un movimiento hacia adelante y hacia atrás. Para limpiar en la dirección opuesta, mueva su cuerpo por sobre el cable y gire el quitanieve sobre sus ruedas. Asegúrese de superponer las rutas de limpieza.
5. Tenga en cuenta la dirección del viento. De ser posible, muévase en la misma dirección que la del viento, de manera que la nieve no sea lanzada contra el viento (y por tanto hacia su cara y por sobre la ruta recién limpiada).
6. Mientras mueva el quitanieve, no tire del cable de alimentación violentamente ni lo arrastre bruscamente. El quitanieve deberá moverse dentro del rango que el cable pueda alcanzar.
7. No empuje el quitanieve con demasiada fuerza. Usted debe empujar la máquina cuidadosamente y de forma uniforme, de acuerdo con el ritmo de trabajo de lanzamiento de la unidad.
8. No aplique una carga humana adicional al motor ya que puede causar daños al motor.
9. Algunas partes del quitanieve se pueden congelar bajo condiciones de temperatura extremas. No intente operar el quitanieve con partes congeladas. Si las partes se congelan mientras el quitanieve está siendo usado, detenga el quitanieve, desenchufe el cable de extensión e inspeccione las partes congeladas. Libere todas las partes antes de volver a encender u operar el quitanieve. Nunca fuerce los controles que se hayan congelado.
10. Al trabajar sobre piedras, grava o superficies sin pavimentar, evite lanzar materiales sueltos de superficie junto con la nieve empujando hacia abajo en el mango para levantar la barra raspadora en la base de la unidad por sobre las piedras o grava.
11. Para áreas más grandes, se requiere un patrón definido de operación para despejar bien un área con nieve. Estos patrones evitarán el lanzamiento de nieve en lugares no deseados, eliminando la necesidad de una segunda pasada para quitar nieve (Fig. 21).

Patrón A: lance la nieve hacia la derecha o izquierda, donde sea posible. Para áreas como una entrada para vehículos larga, es ventajoso empezar en el medio. Despeje desde un extremo al otro, lanzando nieve a ambos lados.

Patrón B: si la nieve puede solo ser lanzada a un lado del área a ser despejada, empiece en el lado opuesto.



Cambio de dirección y altura de lanzamiento

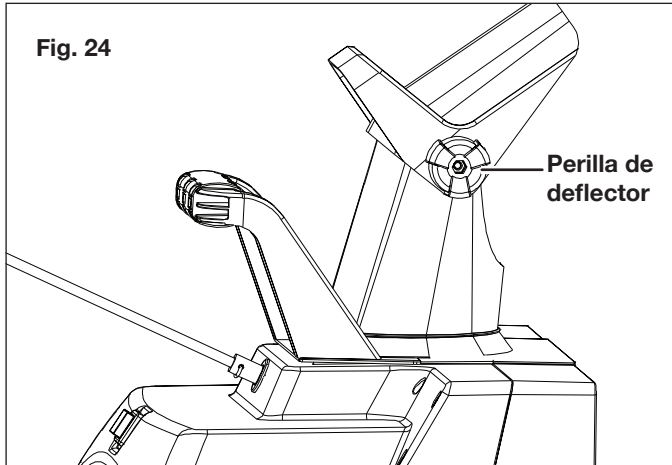
⚠ ¡ADVERTENCIA! Nunca apunte el conducto de descarga al operador, espectadores, vehículos o ventanas cercanas. Los objetos extraños lanzados accidentalmente junto con la nieve por esta máquina pueden causar daños materiales y lesiones personales severas.

Siempre oriente el conducto de descarga a la dirección opuesta a donde usted, los espectadores, vehículos y ventanas en los alrededores estén ubicados.

NOTA: la rotación de la manivela de conducto es algo rígida la primera vez. Se aflojará con el uso.

1. El conducto de descarga puede ser ajustado 180 grados girando la manivela del conducto. Gire la manivela de control de conducto en sentido horario para mover el conducto de descarga hacia la izquierda (Fig. 22) y en sentido antihorario para mover el conducto a la derecha (Fig. 23).

2. El deflector del conducto en la parte superior del conducto de descarga controla la altura del flujo de nieve. Afloje la perilla para levantar o bajar el deflector a la altura deseada de nieve que usted desee lanzar. Apriete la perilla para asegurar el deflector (Fig. 24).



⚠ ¡ADVERTENCIA! Asegúrese de que el deflector del conducto se enganche y trabé completamente sobre el conducto de descarga. Una abertura entre el conducto de descarga y el deflector del conducto puede permitir que objetos extraños sean recogidos y lanzados por el quitanieve en dirección del operador, causando lesiones corporales severas.

- No mueva el deflector del conducto demasiado hacia adelante, provocando que aparezca una abertura entre el deflector y el conducto de descarga.
- No apriete demasiado las perillas en el deflector del conducto.

Mantenimiento

⚠ ¡ADVERTENCIA! Asegúrese de apagar el interruptor y desconectar el cable de extensión antes de llevar a cabo cualquier tarea de mantenimiento en su quitanieve.

Lubricación de por vida (motor y barrena)

La lubricación no es necesaria y puede dañar la unidad. El quitanieve ya ha sido lubricado en la fábrica para un uso de por vida antes de ser transportado.

Consejos generales de mantenimiento

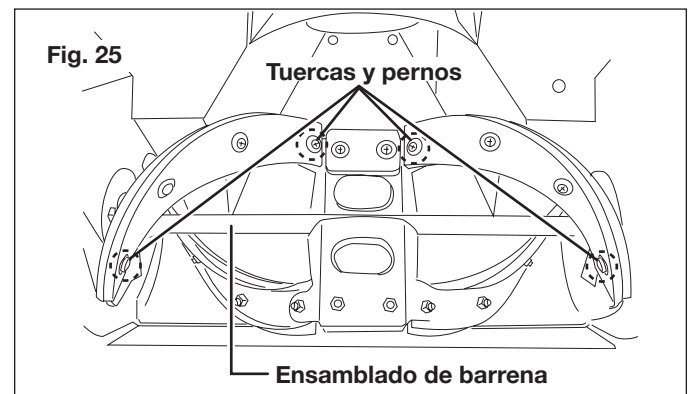
1. No intente reparar la máquina a no ser que usted tenga las herramientas e instrucciones apropiadas para desensamblarla y repararla.
2. Verifique los pernos y tornillos en intervalos frecuentes para un ajuste correcto y asegurarse de que el equipo esté en una condición de trabajo segura.
3. Después de cada sesión de retiro de nieve, mantenga el quitanieve funcionando por unos minutos más para evitar que el colector/rotor se congele. Apague el motor, espere a que todas las partes giratorias se hayan detenido por completo, y retire el hielo y nieve residuales de la unidad. Gire la manivela del conducto varias veces para retirar cualquier exceso de nieve.

4. Use un paño empapado con agua caliente y un cepillo suave para limpiar el quitanieve. ¡Nunca moje la máquina ni la rocíe con agua!
5. No use detergentes o solventes ya que pueden causar daños irreparables al quitanieve. Los agentes químicos pueden dañar las partes de plástico.
6. Para proteger el quitanieve contra la corrosión al guardarlo por periodos prolongados, aceite ligeramente las partes de metal.
7. Guarde el artefacto en un área seca, fuera del alcance de los niños.
8. Para la seguridad del usuario, las partes dañadas o gastadas deben ser reemplazadas. Reemplace solo con partes de repuesto originales. Las partes de otro quitanieve pueden no encajar adecuadamente, causando situaciones peligrosas.

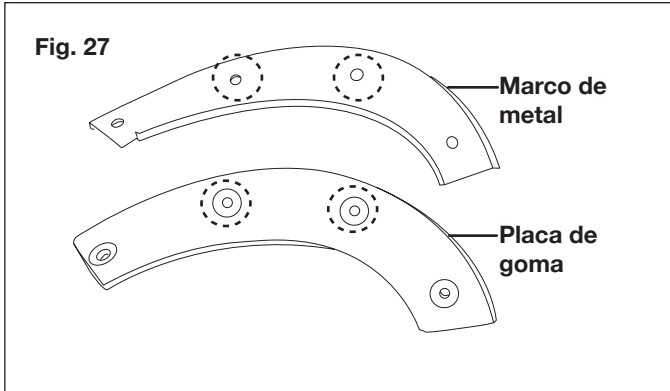
Reemplazo de las placas de goma

NOTA: al reemplazar las placas de goma gastadas, preste mucha atención y distinga cuidadosamente entre el lado áspero y el lado suave de las placas. Coloque el lado áspero dentro y el lado suave fuera.

1. Desmonte el ensamblado de placas de goma gastadas retirando los cuatro juegos de tuercas y pernos empleados para asegurarlo al ensamblado de barrena (Figs. 25 y 26).



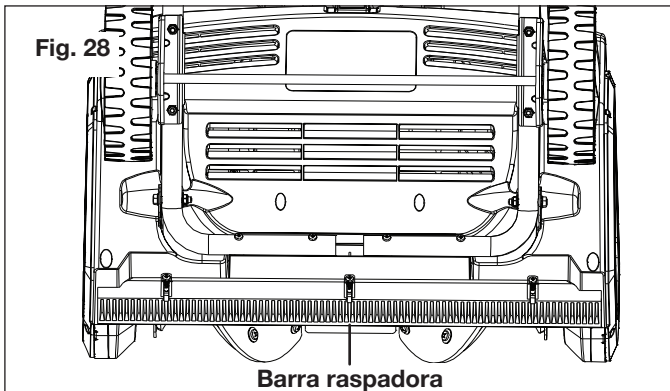
2. Afloje los dos conjuntos intermedios de tuercas y pernos para desmontar la placa de goma gastada del marco de metal (Fig. 27).



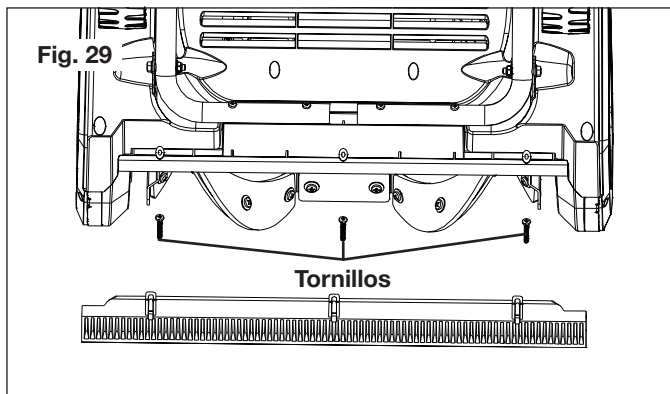
3. Instale la nueva placa de goma en el marco de metal volviendo a colocar y ajustando los dos juegos intermedios de tuercas y pernos (Fig. 24).
4. Reensamble el ensamblado de placas de goma al ensamblado de barrena reinstalando y apretando los cuatro juegos de tuercas y pernos usados para asegurarlo (Figs. 22 y 23).

Reemplazo de la barra raspadora

1. La barra raspadora está localizada en la base del quitanieve, debajo de la carcasa del rotor (Fig. 28).



2. Separe la barra raspadora gastada del quitanieve retirando los tres tornillos que la sujetan en su lugar (Fig. 29).

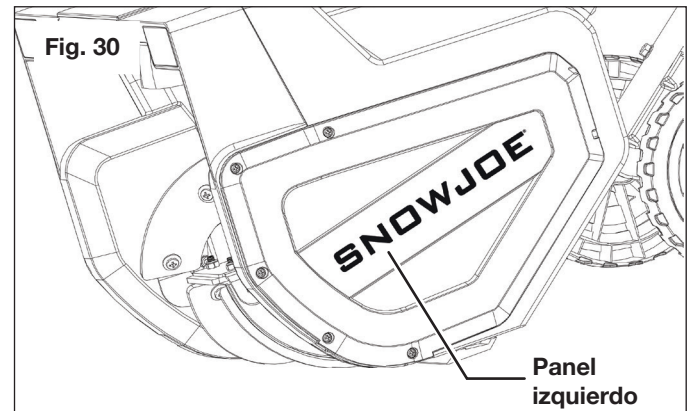


3. Instale la nueva barra raspadora y ajústela de forma segura al quitanieve con los tres tornillos (Fig. 25).

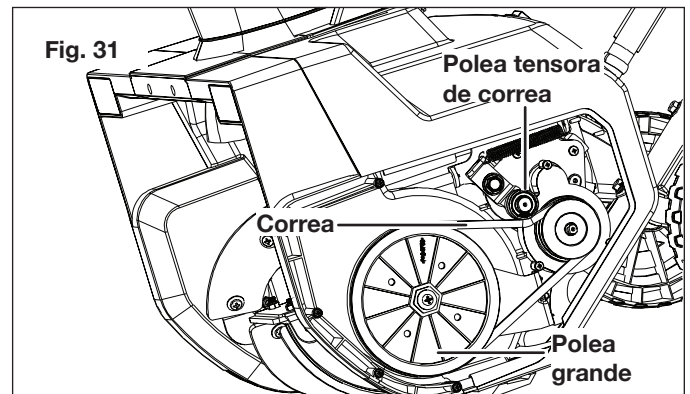
Reemplazo de correa y polea

NOTA: determine los lados de la mano izquierda y derecha del quitanieve poniéndose de pie detrás de la unidad, en posición normal de operación.

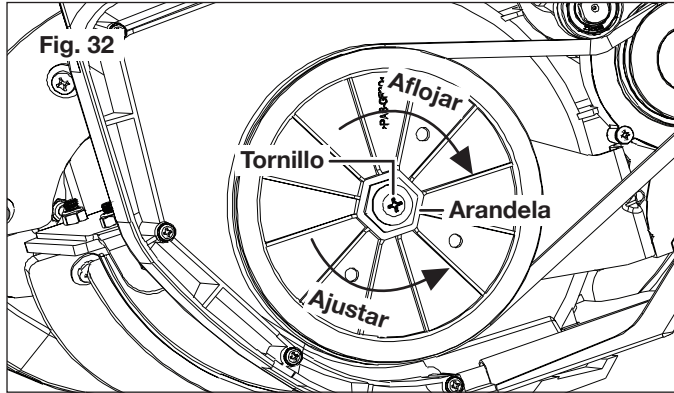
1. Retire los tornillos del panel izquierdo del quitanieve, y quite el panel izquierdo (Fig. 30).



2. Levante la polea tensora de correa y desenrole la correa gastada hacia arriba y hacia afuera de la polea grande, por encima de la polea grande (Fig. 31).

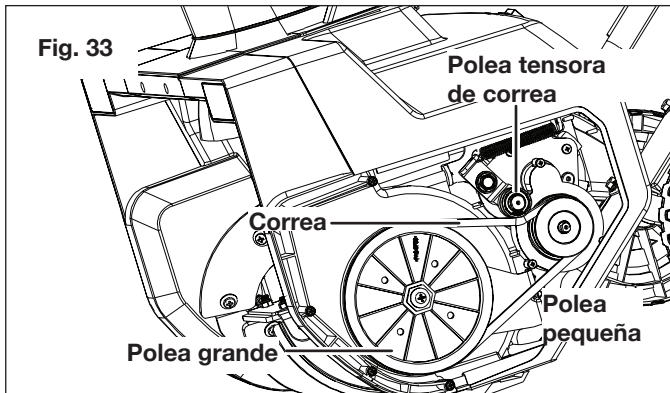


3. Para reemplazar la polea grande, retire el tornillo y arandela del centro de la polea. Sujetando la barrena para que no gire, use una llave tubular de 7/8 plg para girar la tuerca exterior de la polea en sentido horario (la polea es invertida, así que el afloje y apriete ocurren de forma inversa: sentido horario para aflojar y sentido antihorario para apretar). Una vez que la polea grande antigua es retirada, reemplace la polea grande y apriete la tuerca exterior en sentido horario con la llave tubular de 7/8 plg. Vuelva a colocar y apriete el tornillo y arandela (Fig. 32).



NOTA: la nieve mojada y pesada aplica una gran carga en las correas, requiriendo por tanto un reemplazo más frecuente.

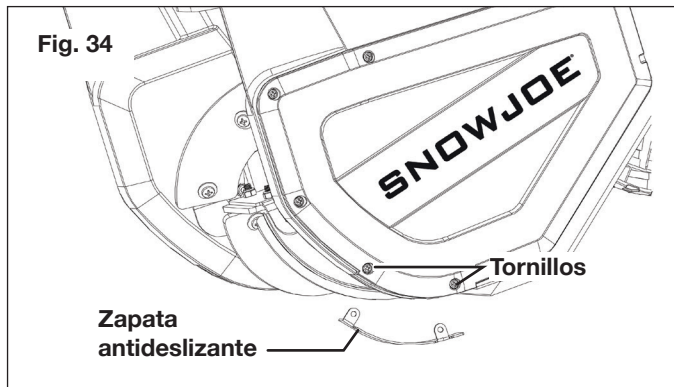
4. Para instalar la nueva correa, levante la polea tensora de correa y enrolle la nueva correa sobre la polea pequeña, haciendo un ángulo. Luego, enrolle la correa sobre la parte superior de la polea grande girando la polea grande en sentido antihorario a medida que la correa envuelve la parte superior de la polea grande (Fig. 33).



5. Vuelva a colocar el panel izquierdo del quitanieve, usando todos los tornillos (Fig. 30).

Reemplazo de zapatas antideslizantes

Las zapatas antideslizantes están ubicadas en la parte inferior del panel lateral. Desajuste los dos tornillos en el panel lateral para retirar las zapatas antideslizantes gastadas (Fig. 34). Instale la zapata de repuesto ajustándola al panel lateral con los mismos dos tornillos.



Reinicio automático

El quitanieve tiene funciones incorporadas de reinicio automático. En caso de una obstrucción grande que detenga la barrena, simplemente desenchufe su unidad, retire la obstrucción de la barrena, espere 60 segundos, y reanude el uso de su máquina.

Almacenamiento

1. Permita que el motor se enfríe completamente antes de limpiar, guardar o transportar el quitanieve. Asegúrese de sujetar la unidad de forma segura durante su transporte.
2. Desconecte el cable de extensión del quitanieve. Inspeccione el cable de extensión cuidadosamente para detectar señales de desgaste o daños. Reemplácelo si está gastado o dañado.
3. Inspeccione el quitanieve cuidadosamente para detectar partes gastadas, sueltas o dañadas. Verifique las conexiones y tornillos, y ajústelos de ser necesario. Para reparar o reemplazar partes, contacte a su concesionario autorizado Snow Joe® + Sun Joe® o llame a la central de servicio al cliente Snow Joe® + Sun Joe® al 1-866-SNOWJOE (1-866-766-9563).
4. Guarde la unidad junto con su cable de extensión desconectado en un lugar seco y bajo llave, fuera del alcance de los niños, para prevenir daños o usos no autorizados. Cubra holgadamente con una lona o con la cubierta protectora universal de 24 plg para quitanieves eléctricos de Snow Joe® (modelo SJCVR-24) para una mayor protección. Visite snowjoe.com para adquirir la cubierta.

Servicio y soporte

Si su quitanieve SJ627E de Snow Joe® requiere reparaciones o mantenimiento, llame al 1-866-SNOWJOE (1-866-766-9563) para recibir asistencia.

Modelo y número de serie

Al contactar a la empresa para ordenar partes de repuesto o solicitar servicio de un concesionario autorizado, usted necesitará proveer el modelo y el número de serie, los cuales se encuentran en la etiqueta sobre la cubierta principal de la unidad, a la izquierda del conducto de descarga. Copie estos números en el espacio proporcionado a continuación.

Registre los siguientes números que se encuentran en la carcasa o mango de su nuevo producto:

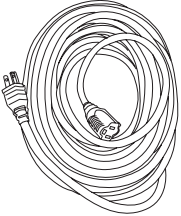
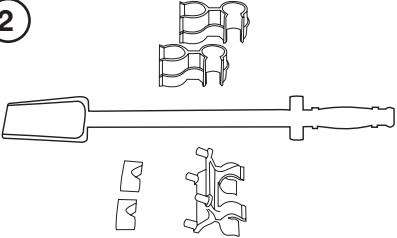
Modelo:

S J 6 2 7 E

Nº de serie:

Accesorios opcionales

⚠ ¡ADVERTENCIA! USE SIEMPRE solo partes de repuesto y accesorios Snow Joe® + Sun Joe®. NUNCA use partes de repuesto o accesorios que no hayan sido diseñados para su uso con este quitanieve eléctrico. Comuníquese con Snow Joe® + Sun Joe® si tiene dudas sobre si es seguro usar una parte de repuesto o accesorio en particular con su quitanieve eléctrico. El uso de cualquier otro accesorio o parte puede ser peligroso y causar lesiones personales o daños mecánicos.

Accesorio	Descripción	Modelo
<p>1</p> 	<p>Cable de extensión de 15 m y calibre 14 Snow Joe® + Sun Joe® SJTW-A con extremo iluminado</p>	<p>PJEXT50-B</p>
<p>2</p> 	<p>Herramienta universal de limpieza de conducto de quitanieve</p>	<p>SJCOT</p>

NOTA: los accesorios están sujetos a cambios sin obligación alguna por parte de Snow Joe® + Sun Joe® de notificar sobre dichos cambios. Los accesorios pueden ser pedidos en línea en snowjoe.com o vía telefónica llamando a la central de servicio al cliente Snow Joe® + Sun Joe® al 1-866-SNOWJOE (1-866-766-9563).



LA PROMESA DE SNOW JOE® + SUN JOE® AL CLIENTE

POR SOBRE TODO, en Snow Joe, LLC (“Snow Joe”) estamos dedicados a usted, nuestro cliente. Nos esforzamos por hacer que su experiencia sea lo más placentera posible. Desafortunadamente, hay veces en que un producto Snow Joe®, Sun Joe®, o Aqua Joe® (el “Producto”) no funciona o sufre un desperfecto bajo condiciones normales de operación. Creemos que es importante que usted sepa que puede confiar en nosotros. Es por eso que tenemos esta Garantía Limitada (la “Garantía”) para nuestros Productos.

NUESTRA GARANTÍA:

Snow Joe garantiza que sus Productos motorizados y no motorizados, nuevos y genuinos, están libres de defectos materiales o de mano de obra al ser usados en tareas domésticas normales durante un periodo de dos (2) años a partir de la fecha de compra por parte del comprador original y usuario final, cuando este último los compra a través de Snow Joe o un vendedor autorizado por Snow Joe y ha obtenido un comprobante de compra. Ya que Snow Joe no puede controlar la calidad de sus Productos vendidos por vendedores no autorizados, a menos que la ley lo prohíba esta Garantía no cubre Productos adquiridos a través de vendedores no autorizados. Si su Producto no funciona, o hay un problema con una parte específica que está cubierta por los términos de esta Garantía, Snow Joe elegirá entre: (1) enviarle una parte de repuesto gratuita; (2) reemplazar el Producto con uno nuevo o similar sin costo alguno; o (3) reparar el Producto. ¡Un excelente soporte!

Esta Garantía le da derechos legales específicos, y usted puede también tener otros derechos según el Estado.

REGISTRO DEL PRODUCTO:

Snow Joe le recomienda enfáticamente registrar su Producto. Usted puede registrar su Producto en línea visitando snowjoe.com/register, imprimiendo y enviando por correo una tarjeta de registro disponible en línea en nuestro sitio Web, llamando a nuestra central de servicio al cliente al **1-866-SNOWJOE (1-866-766-9563)**, o enviándonos un e-mail a help@snowjoe.com. Si usted no registra su Producto sus derechos de garantía no disminuirán; sin embargo, registrar su Producto permitirá que Snow Joe le pueda atender mejor si usted tiene alguna necesidad como cliente.

¿QUIÉN PUEDE SOLICITAR COBERTURA DE GARANTÍA LIMITADA?

Esta Garantía es otorgada por Snow Joe al comprador original y propietario original del Producto.

¿QUÉ NO ESTÁ CUBIERTO?

Esta Garantía no se aplica si el Producto ha sido usado de forma comercial o en aplicaciones no domésticas o de alquiler. Esta Garantía tampoco se aplica si el Producto fue adquirido desde un vendedor no autorizado. Esta garantía tampoco cubre cambios cosméticos que no afecten el funcionamiento del Producto. Las partes desgastables como correas, brocas y cuchillas no están cubiertas por esta Garantía, y pueden ser compradas visitando snowjoe.com o llamando al **1-866-SNOWJOE (1-866-766-9563)**.



SNOWJOE®

FR

SOUFFLEUSE À NEIGE ÉLECTRIQUE

55,9 cm | 15 A | PHARES DEL

MANUEL D'UTILISATION

Une division de Snow Joe®, LLC

Modèle SJ627E

Formulaire n° SJ-SJ627E-880F-MR4

IMPORTANT!


Consignes de sécurité

Tous les utilisateurs doivent lire ces instructions avant d'utiliser la machine.

Tout appareil électrique peut être dangereux s'il est mal utilisé. Certaines des consignes de sécurité fournies dans ce manuel s'appliquent généralement à de nombreux appareils. D'autres avertissements sont spécifiques à l'utilisation de cette souffleuse à neige. Conservez ce manuel pour y faire référence dans le futur.

AVERTISSEMENTS d'ordre général en matière de sécurité!

Vous-mêmes, ainsi que tout autre utilisateur de cette souffleuse à neige, devez lire, comprendre et observer ces instructions dans leur intégralité. Vous devez les relire au début de chaque saison hivernale. Le non-respect de ces consignes de sécurité pourrait être à l'origine d'une ÉLECTROCUTION, d'un INCENDIE et/ou de GRAVES BLESSURES.

Prenez note du symbole d'alerte de sécurité personnelle  **utilisé dans ce manuel pour attirer votre attention sur un AVERTISSEMENT s'appliquant à une consigne d'utilisation particulière. Ce symbole indique que cette utilisation nécessite d'être particulièrement VIGILANT, de PRENDRE DES PRÉCAUTIONS et d'être CONSCIENT DES DANGERS.**

- 1. Maintenez la zone de travail propre et bien éclairée.**
Les endroits encombrés et sombres sont propices aux accidents.
- 2. N'utilisez pas la souffleuse à neige quand l'atmosphère est explosive,** par exemple en présence de liquides inflammables, de gaz ou de poussière. Les appareils électriques produisent des étincelles qui peuvent enflammer la poussière ou les vapeurs.

- 3. Maintenez les enfants, les animaux familiers et les spectateurs éloignés de la zone de travail.** Souvenez-vous que le volume sonore normal de la machine en marche peut vous empêcher d'entendre facilement des personnes s'approchant. Les spectateurs doivent porter des lunettes de protection et être maintenus à bonne distance de la zone de travail. Ne laissez pas les spectateurs toucher la souffleuse à neige ou la rallonge électrique.
- 4. Les fiches électriques doivent correspondre à la prise.** N'apportez aucune modification, quelle qu'elle soit, à la fiche. N'utilisez pas de fiche d'adaptation avec les outils ou machines mis à la terre. Des fiches non modifiées et des prises correspondantes réduiront le risque d'électrocution.
- 5. Évitez tout contact du corps avec la surface d'objets mis à la terre** (p. ex., conduites d'eau supérieures ou inférieures, radiateurs, fourneaux de cuisine, réfrigérateurs, fours à micro-ondes et enveloppes externes de matériel de chauffage). Prenez les précautions qui s'imposent pour empêcher les électrocutions. Il y a un risque accru d'électrocution si votre corps est relié à la terre.
- 6. N'utilisez pas le cordon à mauvais escient.** Maintenez le cordon éloigné de toute source de chaleur, de l'huile, des arêtes tranchantes ou des pièces mobiles. Ne tirez jamais la souffleuse à neige par le cordon et ne tirez pas brusquement sur le cordon pour le retirer de la prise. Les cordons endommagés ou emmêlés augmentent le risque d'électrocution.
- 7. Remplacez ou réparez correctement tout cordon endommagé.** Si le cordon est endommagé d'une façon ou d'une autre pendant qu'il est branché dans une prise murale, retirez immédiatement la rallonge électrique de la prise.
- 8. Lorsque vous utilisez la souffleuse à neige, tout contact avec de l'eau peut entraîner une électrocution ou de graves blessures.** N'utilisez pas la souffleuse à neige sur un terrain détrempe ou par forte humidité. Ne touchez pas la machine ou sa prise de courant les mains mouillées ou les pieds dans l'eau.
- 9. ⚠️ AVERTISSEMENT : utiliser des rallonges électriques pour l'extérieur et marquées SW-A, SOW-A, STW-A, STOW-A, SJW-A, SJTW-A ou SJTOWA.** Ces rallonges sont prévues pour une utilisation à l'extérieur et réduisent le risque d'électrocution.

- 10. Fermez l'interrupteur et débranchez le cordon d'alimentation avant de procéder à tout réglage sur la souffleuse à neige et avant de l'inspecter, de la réparer, de la nettoyer ou de changer d'accessoire. Suivez la même procédure si toute autre situation dangereuse se présente pendant que vous utilisez la machine.** Tous les réglages sur la machine doivent être effectués une fois que les pièces tournantes à l'intérieur de la souffleuse à neige se sont complètement arrêtées. Ces mesures préventives de sécurité visent à réduire le risque de démarrage accidentel de la machine électrique.
- 11. Si vous constatez que la rallonge électrique ou le cordon d'alimentation est endommagé, veuillez débrancher immédiatement la fiche de la prise d'alimentation électrique.** Au besoin, réparez le cordon ou remplacez-le.
- 12. Quand vous remplacez une pièce, quelle qu'elle soit, vous devez strictement observer les instructions et les procédures décrites dans ce manuel d'utilisation.** Des précautions spéciales doivent être prises pour toutes les pièces en caoutchouc dans la mesure où ces pièces peuvent surcharger le moteur et réduire sa puissance mécanique si elles sont endommagées.
- 13. Ne déplacez pas la souffleuse à neige ou ne la transportez pas quand elle est branchée dans une prise d'alimentation électrique et quand l'interrupteur est ouvert.**
- 14. Si, pendant l'utilisation, vous notez que le moteur de la machine tourne de façon irrégulière ou si vous entendez des bruits anormaux provenant du moteur, arrêtez la machine, débranchez-la immédiatement de la prise d'alimentation électrique et communiquez avec un centre d'entretien et de réparation Snow Joe® + Sun Joe® agréé.**

Sécurité électrique

1. Un disjoncteur différentiel de fuite de terre (DDFT) doit équiper le(s) circuit(s) ou la(les) prise(s) utilisés pour la souffleuse à neige. Des prises intégrant un DDFT sont offertes et peuvent être utilisées pour répondre à cette mesure de sécurité.
2. Pour éviter une électrocution, utilisez uniquement une rallonge électrique appropriée pour l'extérieur, par exemple les modèles SW-A, SOW-A, STW-A, STOW-A, SJW-A, SJOW-A, SJTW-A ou SJTOW-A.

Avant son utilisation, vérifiez que la rallonge électrique est en bon état. Si vous utilisez une rallonge électrique, assurez-vous qu'elle est de calibre suffisant pour le courant que la machine va consommer. Une rallonge sous-dimensionnée provoquera une chute de tension dans les lignes, ce qui entraînera une perte de puissance et une surchauffe.

3. Pour réduire le risque d'électrocution, le cordon d'alimentation de cette machine est muni d'une fiche polarisée (une lame est plus large que l'autre). Utilisez uniquement une rallonge à fiche polarisée, homologuée UL, CSA ou ETL pour l'extérieur et tout temps. La fiche de la machine ne s'insère que d'une seule façon dans une rallonge à fiche polarisée.

Si la fiche de la machine ne rentre pas complètement dans la rallonge, inversez-la. Si la fiche ne s'insère toujours pas, procurez-vous une rallonge à fiche polarisée. Une rallonge à fiche polarisée nécessite l'utilisation d'une prise murale polarisée. La fiche polarisée de la rallonge ne s'insère que d'une seule façon dans la prise murale polarisée. Si la fiche ne rentre pas complètement dans la prise murale, inversez-la. Si la fiche ne s'insère toujours pas, communiquez avec un électricien qualifié pour qu'il pose une prise adéquate. Ne modifiez en aucune façon la fiche de la machine, la prise de la rallonge ou la fiche de la rallonge.



AVERTISSEMENT



Toute électrocution peut entraîner des BLESSURES GRAVES pouvant même être FATALES. Tenir compte de ces avertissements :

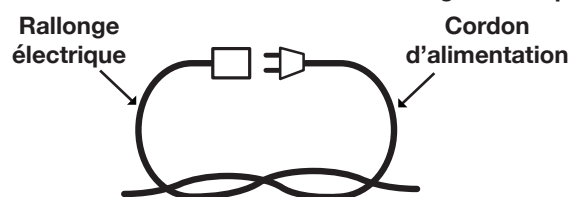
- Ne laisser aucune pièce de la souffleuse à neige électrique entrer en contact avec de l'eau pendant son utilisation. Si la machine se mouille quand elle est à l'arrêt, l'essuyer avant de la redémarrer.
- Utiliser uniquement une rallonge électrique homologuée UL, CSA ou ETL, recommandée pour une utilisation à l'extérieur et tout temps, par exemple la rallonge électrique 50 pieds de calibre 14 Snow Joe® + Sun Joe® SJTW-A dont les extrémités s'éclaircissent quand elle est sous tension (modèle PJEXT50-B). Se rendre sur le site snowjoe.com pour acheter en ligne cette rallonge électrique, ou bien pour la commander par téléphone, appeler le 1-866-SNOWJOE (1-866-766-9563).
- Ne pas utiliser de rallonge électrique d'une longueur supérieure à 30 m.
- Ne pas toucher la machine ou sa prise de courant les mains mouillées ou les pieds dans l'eau. Le port de bottes de caoutchouc offre une certaine protection.

CARACTÉRISTIQUES DES RALLONGES ÉLECTRIQUES

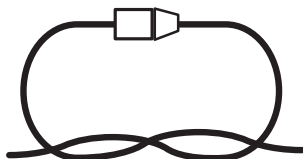
Longueur de la rallonge électrique	Jusqu'à 15 m	+15 m -30 m
Calibre de fil (AWG)	14	12

4. Pour empêcher que le cordon de la machine se débranche de la rallonge électrique pendant son utilisation, utilisez le crochet de retenue sur la machine et/ou faites un nœud avec les deux cordons comme indique le Tableau 1.

Tableau 1. Méthode d'attache de rallonge électrique



(A) Nouer les cordons comme sur l'illustration



(B) Brancher la fiche dans la prise

5. N'utilisez pas le cordon à mauvais escient. Ne jamais tirer la souffleuse à neige par le cordon et ne pas tirer brusquement sur le cordon pour le retirer de la prise. Maintenez le cordon éloigné de la chaleur, de l'huile et des objets tranchants.

Sécurité personnelle

1. **Rester vigilant** – Surveillez ce que vous faites et faites preuve de bon sens quand vous utilisez la souffleuse à neige. N'utilisez pas la machine si vous êtes fatigué, malade ou si vous avez consommé de l'alcool, de la drogue ou des médicaments. Un moment d'inattention peut se traduire par de graves blessures.
2. **S'habiller en conséquence** – Le port de bottes de caoutchouc offre une protection supplémentaire contre les décharges électriques. Ne portez pas de vêtements amples ou de bijoux qui pourraient se prendre dans la machine. Couvrez vos cheveux pour les protéger et les empêcher de se prendre dans les pièces tournantes de la machine. Les lunettes de sécurité offrent une meilleure protection que les lunettes classiques.
3. **Les pièces mobiles présentent des risques** – Maintenez le visage, les cheveux, les vêtements, les mains et les pieds éloignés de toutes les pièces mobiles. Toutes les protections et tous les accessoires de sécurité doivent être convenablement posés avant d'utiliser la machine. Coupez et débranchez le cordon avant de toucher toute pièce autre que les poignées et l'interrupteur.
4. **Revêtements** – Cette souffleuse à neige est destinée à être utilisée sur des revêtements pavés. Ne l'utilisez pas sur du gravier, de la pierre ou sur d'autres revêtements non pavés, à moins que la souffleuse à neige soit réglée pour ce type de revêtements conformément aux instructions fournies dans ce manuel d'utilisation.
5. **Éviter tout démarrage accidentel** – Avant de brancher la machine, assurez-vous que l'interrupteur est sur la position d'arrêt. Ne transportez pas la souffleuse à neige en maintenant le doigt sur l'interrupteur.

6. **Position du corps** – Restez en permanence sur les deux pieds pour ne pas perdre l'équilibre. Les talons bien posés sur le sol, saisissez fermement le guidon. Ne vous laissez pas surprendre par un revêtement inégal et ne vous arc-boutez pas. Si vous chutez ou si vous heurtez la souffleuse à neige, inspectez la machine et vérifiez la présence éventuelle de dommages ou de fissures. Quand vous reculez, pour éviter de chuter, veillez à éviter tout obstacle sous vos pieds ou derrière vous.
7. **Si la souffleuse à neige heurte quoi que ce soit, l'arrêter immédiatement puis l'inspecter pour vérifier qu'elle n'est pas endommagée** – Réparez tout dommage avant de redémarrer et d'utiliser à nouveau la souffleuse à neige.



















Consignes de sécurité pour les souffleuses à neige poussées

- **Lire attentivement le manuel d'utilisation** – Apprenez comment utiliser votre souffleuse à neige et ses limites, ainsi que les dangers potentiels spécifiques que présente cette machine. N'utilisez pas cette machine pour des travaux autres que ceux pour lesquels elle a été conçue. Sinon, elle pourrait présenter des défaillances mécaniques ou être à l'origine de graves dommages matériels ou corporels.
- **Inspection préliminaire de la machine** – Inspectez méticuleusement la souffleuse à neige avant de l'utiliser. Assurez-vous que toutes les pièces sont bien attachées et posées correctement. Si vous remarquez quoi que ce soit d'anormal, n'utilisez pas la machine tant qu'elle n'a pas été réparée convenablement.
Pour vous assurer que la souffleuse à neige fonctionne correctement, effectuez toujours un essai la première fois que vous utilisez la machine ou après avoir remplacé des pièces.
- **Inspection préliminaire de la zone de travail** – Nettoyez la zone à déneiger avant chaque utilisation. Retirez tout ce qui pourrait être projeté par la souffleuse à neige ou qui pourrait se prendre dedans, par exemple des roches, des éclats de verre, des clous, des fils ou de la ficelle. Dans la zone de travail, maintenez à bonne distance tout spectateur, en particulier les enfants et les animaux familiers.
- **Force excessive** – Pour un niveau de sécurité et de rendement optimal, la souffleuse à neige a été conçue pour maintenir une certaine puissance, quel que soit l'état de la neige à déblayer. Poussez-la sans forcer et sans à-coups.
- **Mauvais fonctionnement de l'interrupteur** – N'utilisez pas la souffleuse à neige si l'interrupteur ne réussit pas à la mettre en marche ou à l'arrêter. Tout appareil électrique qui ne répond pas à l'interrupteur est dangereux et doit être réparé.
- **Heurt d'un corps étranger** – Si la souffleuse à neige heurte accidentellement quoi que ce soit, suivez ces étapes :
 - i) arrêtez la souffleuse à neige et débranchez-la;
 - ii) vérifiez si la machine n'est pas endommagée;

- iii) réparez ou remplacez toute pièce endommagée avant de redémarrer et d'utiliser à nouveau la souffleuse à neige.
- **Sécurité de la goulotte d'éjection** – N'orientez jamais la goulotte d'éjection vers l'utilisateur de la machine, des spectateurs, des véhicules ou des fenêtres. Le jet de neige et tout ce qui a été accidentellement ramassé par la souffleuse à neige peuvent provoquer de graves dommages matériels et corporels. N'utilisez pas les mains pour déboucher la goulotte d'éjection. Arrêtez le moteur avant de retirer les débris.
 - **Portée à bout de bras** – Il est dangereux de porter à bout de bras la souffleuse à neige.
 - **Fonctionnement anormal** – Si vous remarquez que le moteur de la souffleuse à neige tourne de façon irrégulière ou si vous entendez des bruits anormaux provenant du moteur, arrêtez immédiatement la machine, débranchez-la et communiquez avec un revendeur Snow Joe® + Sun Joe® agréé ou le service à la clientèle Snow Joe® + Sun Joe® au 1-866-SNOWJOE (1-866-766-9563).
 - **Lutte contre le bruit** – Quand vous utilisez la souffleuse à neige, vous devez respecter les lois et réglementations locales antibruits ainsi que celles concernant la protection de l'environnement. Pour éviter toute agression sonore, vous devez soigneusement choisir l'heure appropriée à laquelle utiliser la machine et tenir compte des conditions environnementales.
 - **Une fois le travail effectué** – Débranchez la souffleuse à neige de la source d'alimentation électrique si vous ne l'utilisez plus, si vous changez d'accessoire et avant d'effectuer tout entretien de la machine.
 - **Remiser la machine en sécurité** – Entre chaque utilisation, remisez la souffleuse à neige à l'intérieur dans un endroit sec. Maintenez la machine sous clé dans un endroit où ne peuvent pas accéder les enfants et les utilisateurs non autorisés. Pour éviter des dommages matériels ou corporels, ne remisez pas la machine tant qu'elle est branchée sur une source d'alimentation électrique.
 - **Entretien pour la sécurité et la longévité** – Vérifiez si les pièces mobiles sont correctement alignées et ne grippent pas, si des pièces sont cassées et tout ce qui pourrait compromettre le bon fonctionnement de la machine. Réparez ou remplacez les pièces endommagées avant d'utiliser à nouveau la machine. Utilisez uniquement des pièces de rechange d'origine spécifiquement conçues pour votre modèle. Quand vous remplacez des pièces, vous devez observer strictement les instructions et les procédures décrites dans ce manuel. Des précautions spéciales doivent être prises pour toutes les pièces en caoutchouc dans la mesure où ces pièces peuvent surcharger le moteur et réduire sa puissance mécanique si elles sont endommagées. Avant d'utiliser la souffleuse à neige, vérifiez toujours que les boulons, les écrous et les boutons sont tous bien serrés.

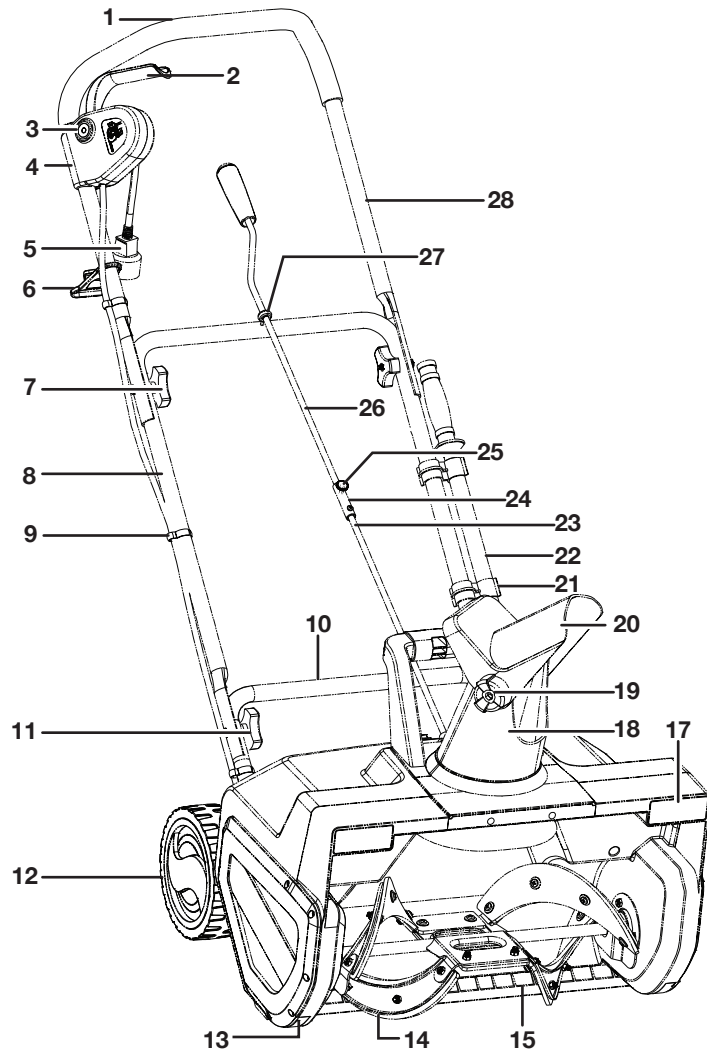
Symboles de sécurité

Le tableau suivant décrit et explique les symboles de sécurité pouvant être marqués sur cette machine. Avant d'essayer de procéder à son assemblage et de l'utiliser, lisez, comprenez et suivez toutes les instructions sur cette machine.

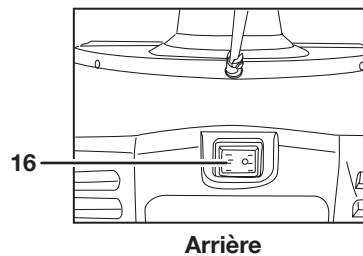
Symboles	Descriptions	Symboles	Descriptions
	LIRE LE OU LES MANUELS D'UTILISATION – Lire, comprendre et suivre toutes les instructions du ou des manuels avant d'essayer d'assembler et d'utiliser la machine.		Débrancher la prise électrique avant de procéder à l'entretien de la machine ou quand elle est endommagée ou emmêlée.
	ALERTE DE SÉCURITÉ – Indique une précaution, un avertissement ou un danger.		Le port en permanence de lunettes de sécurité ou d'une visière-écran pour protéger les yeux et le visage est obligatoire.
	Attention aux pierres et à d'autres objets pouvant être projetés par la machine. Maintenir les spectateurs et les animaux familiers à bonne distance de la zone de travail.		Garder le cordon flexible d'alimentation électrique à bonne distance de la tarière rotative.
	AVERTISSEMENT! Ne pas utiliser la machine sous la pluie où par forte humidité. Garder la machine au sec.		Toujours maintenir le cordon d'alimentation éloigné de la chaleur, de l'huile ou des objets tranchants. Retirer immédiatement la prise de la source d'alimentation électrique si le cordon est endommagé ou emmêlé.
	Porter des gants de protection et des chaussures antidérapantes pour utiliser la machine et manipuler les débris.		MISE EN GARDE! Attention aux pierres et aux autres corps étrangers pouvant être rejetés par la machine.
 	Tenir les mains et les pieds éloignés des pièces tournantes.		Tenir les mains éloignées des pièces mobiles de la souffleuse à neige. Les pièces tournantes peuvent être à l'origine de graves blessures.
	DANGER! Danger de coupure/mutilation – Maintenir les mains éloignées de la tarière rotative. Ne pas utiliser les mains pour déboucher le carter de tarière rotative. Arrêter le moteur avant de retirer des débris.	 	Tenir les pieds éloignés des pièces mobiles de la souffleuse à neige. Les pièces tournantes peuvent être à l'origine de graves blessures.
	La pièce tournante continuera de tourner plusieurs secondes après avoir arrêté la machine.		Double isolation.

Apprenez à mieux connaître votre souffleuse à neige électrique

Avant d'utiliser votre souffleuse à neige électrique, lisez attentivement le manuel de l'utilisateur et les consignes de sécurité. Comparez l'illustration ci-dessous avec votre machine afin de vous familiariser avec l'emplacement des différents réglages et commandes. Conservez ce manuel pour pouvoir le consulter dans le futur.



- | | |
|--|--|
| 1. Partie rembourrée du guidon | 15. Lame de raclage |
| 2. Levier interrupteur marche-arrêt | 16. Interrupteur de phares |
| 3. Bouton-poussoir de sécurité | 17. (2) phares |
| 4. Boîtier d'interrupteur | 18. Goulotte d'éjection |
| 5. Cordon d'alimentation | 19. Bouton de déflecteur |
| 6. Crochet de retenue de rallonge électrique | 20. Déflecteur de goulotte |
| 7. Boutons et boulons de cadre supérieur (2 jeux) | 21. Agrafe d'outil de curage de goulotte (2) |
| 8. Cadre intermédiaire | 22. Outil de curage de goulotte |
| 9. Serre-câble (3) | 23. Manivelle de commande de goulotte inférieure |
| 10. Cadre inférieur | 24. Raccord de tige de manivelle |
| 11. Boutons et boulons de cadre inférieur (2 jeux) | 25. Vis de serrage |
| 12. (2) roues | 26. Manivelle de commande de goulotte supérieure |
| 13. (2) patins | 27. Anneau en caoutchouc |
| 14. Tarière | 28. Cadre supérieur |



Données techniques

Moteur.....	15 A	Distance de rejet max.....	7,6 m
Tension nominale.....	120 V ~ 60 Hz	Capacité de déneigement max.	381 kg/min
Éclairage.....	Deux phares DEL de 1,5 W	Contrôle du jet de neige.....	Goulotte pivotante à 180°
Régime à vide.....	2 700 tr/min	Rotor.....	4 pales en acier à embouts caoutchouc
Largeur de déneigement	55,9 cm	Type de neige	Légère, poudreuse
Profondeur de déneigement.....	33 cm	Poids net	15 kg

Déballage

Contenu de la caisse :

- Souffleuse à neige électrique avec cadre intermédiaire et cadre supérieur
- Tige supérieure de manivelle
- Manivelle de commande de goulotte inférieure
- Outil de curage de goulotte avec deux (2) agrafes
- Crochet de retenue de rallonge électrique
- Serre-câble (3)
- Boutons et boulons des cadres de guidon (4 jeux)
- Manuel et carte d'enregistrement

1. Retirez soigneusement la souffleuse à neige électrique de la caisse et inspectez-la pour vérifier que tous les éléments énumérés ci-dessus sont fournis.
2. Inspectez soigneusement le contenu pour vous assurer qu'aucun élément ne s'est cassé ou n'a été endommagé pendant le transport. Si vous constatez que des pièces manquent ou sont endommagées, NE PAS retourner la caisse au magasin. Veuillez appeler le service clientèle Snow Joe® + Sun Joe® au 1-866-SNOWJOE (1-866-766-9563).

REMARQUE : ne jetez pas la caisse d'expédition et l'emballage tant que vous n'êtes pas prêt à utiliser votre nouvelle souffleuse à neige électrique. L'emballage est fabriqué dans des matériaux recyclables. Éliminez ces matériaux de façon appropriée et conformément à la réglementation ou conservez l'emballage pour le remisage de longue durée de la machine.

IMPORTANT! Le matériel et l'emballage ne sont pas des jouets. Ne laissez pas les enfants jouer avec les sacs en plastique, les feuilles métalliques ou les petites pièces. Ces éléments peuvent être avalés et risquent de provoquer une suffocation!

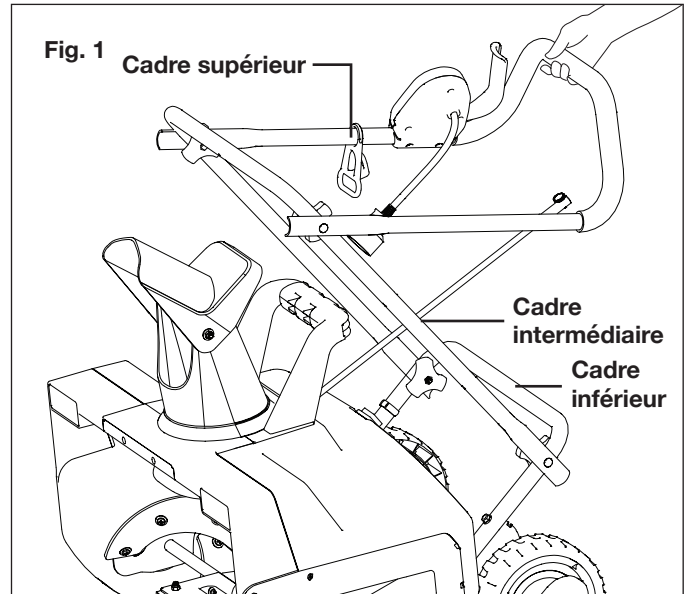
Assemblage

⚠ AVERTISSEMENT! Inspecter le câblage qui, s'il a été endommagé pendant le transport, peut être à l'origine de graves blessures quand on utilise la machine. Si le moindre dommage est constaté ou soupçonné, ne pas procéder à l'assemblage. Appeler plutôt le service clientèle Snow Joe® + Sun Joe® au 1-866-SNOWJOE (1-866-766-9563) pour de l'aide.

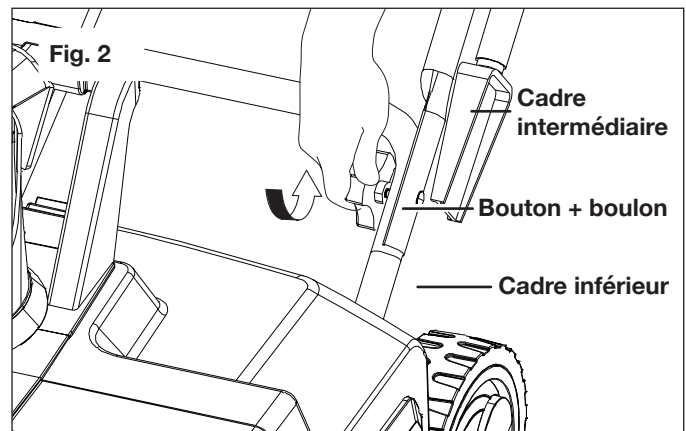
Procéder à l'assemblage avec précautions pour ne pas endommager le câblage.

Assemblage des cadres de guidon

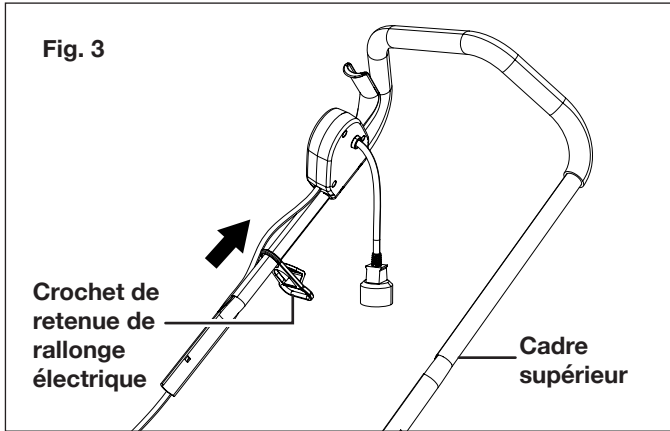
1. Pour faciliter l'assemblage de la souffleuse à neige, la plupart de ses pièces sont déjà assemblées à l'expédition. Pour achever le montage du guidon, tirez simplement vers l'arrière le cadre intermédiaire et tirez le cadre supérieur vers le haut (Fig. 1).



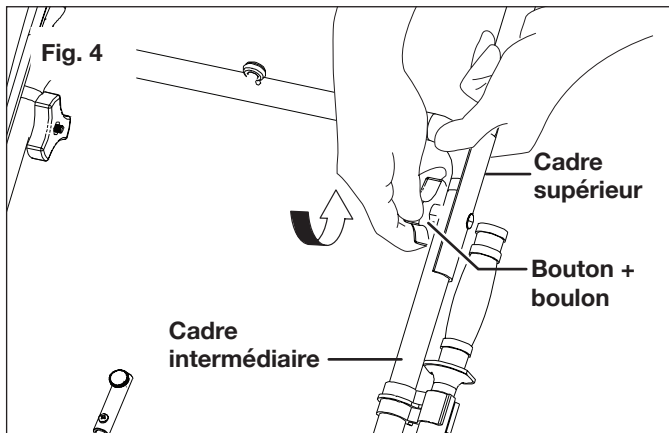
2. Attachez ensemble le cadre intermédiaire et le cadre inférieur en attachant de chaque côté le premier jeu de boutons et de boulons (Fig. 2).



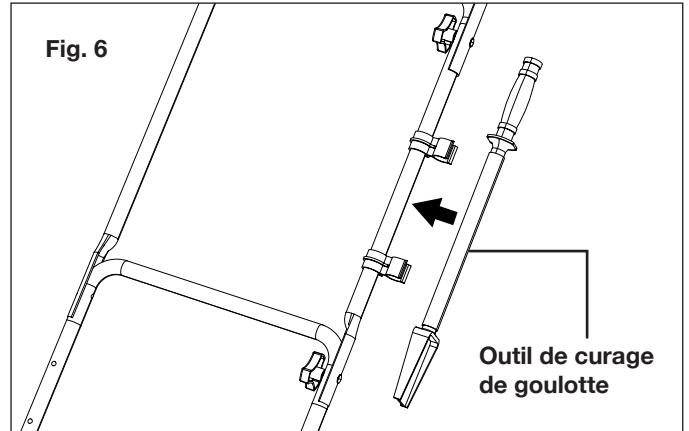
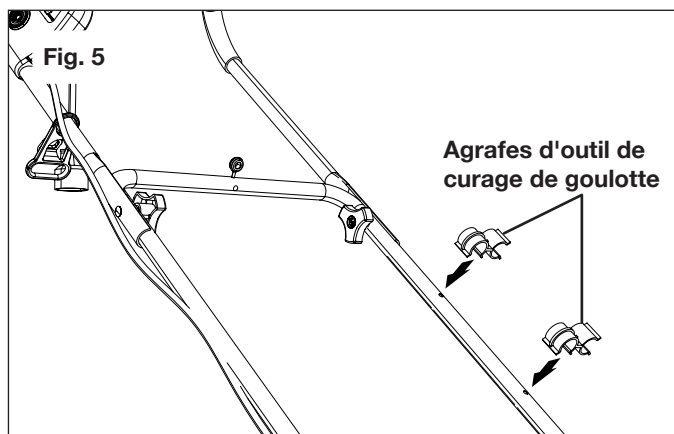
3. Avant d'attacher le cadre supérieur, faites glisser le crochet de retenue de rallonge électrique vers le haut du cadre supérieur (Fig. 3).



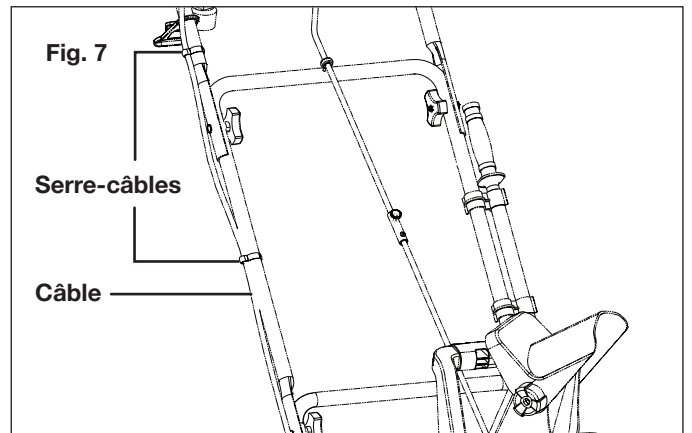
4. Attachez ensemble le cadre supérieur et le cadre intermédiaire en attachant de chaque côté le second jeu de boutons et de boulons (Fig. 4).



5. Posez les deux agrafes d'outil de curage de goulotte sur le côté du cadre intermédiaire et insérez l'outil de curage de goulotte dans les agrafes (Fig. 5 et 6).

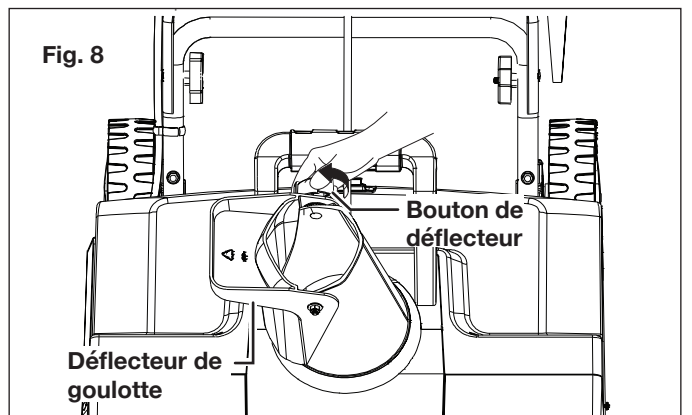


6. Posez les deux serre-câbles sur le cadre, puis insérez le câble à l'intérieur des serre-câbles (Fig. 7).

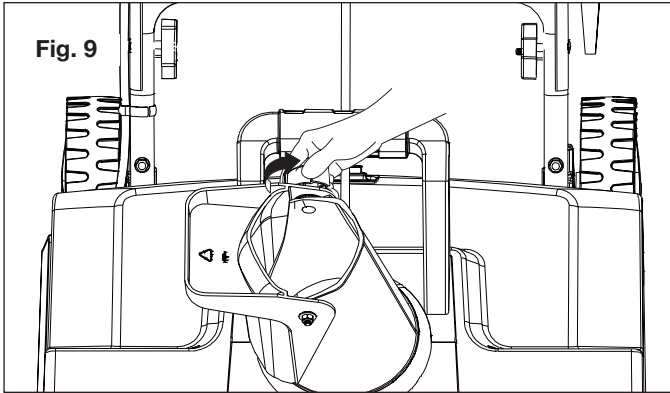


Assemblage de la goulotte d'éjection

1. Desserrez le bouton pour lever le déflecteur de goulotte (Fig. 8).



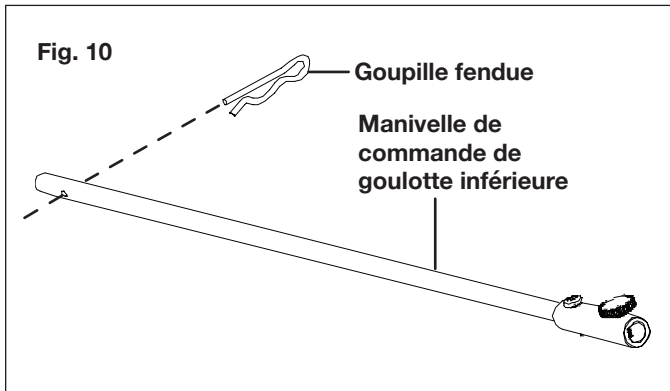
2. Attachez le déflecteur de goulotte en verrouillant le bouton du déflecteur (Fig. 9).



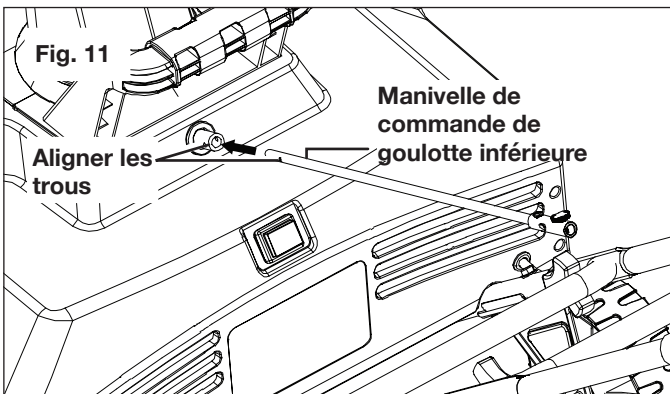
REMARQUE : ne serrez pas trop le bouton.

Assemblage de la manivelle de commande de goulotte

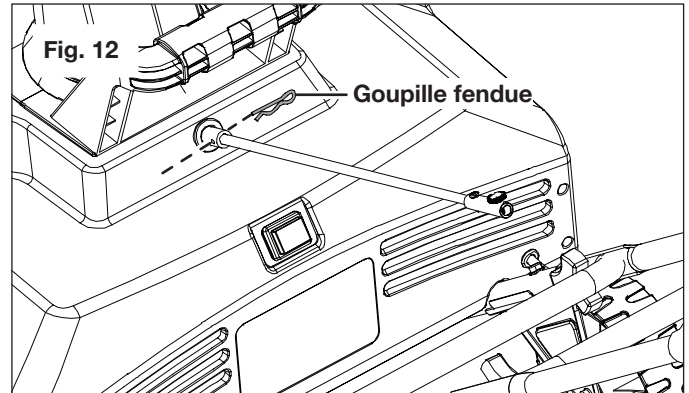
1. Retirez la goupille fendue de la manivelle de commande de goulotte inférieure (Fig. 10).



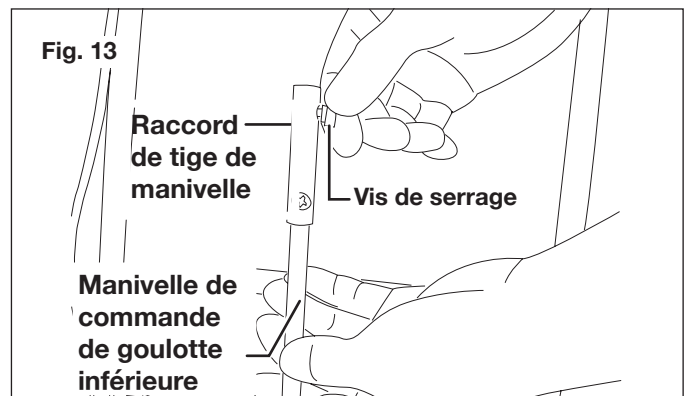
2. Posez la tige de manivelle inférieure en l'insérant dans l'ouverture au dos du carter, les trous étant alignés (Fig. 11).



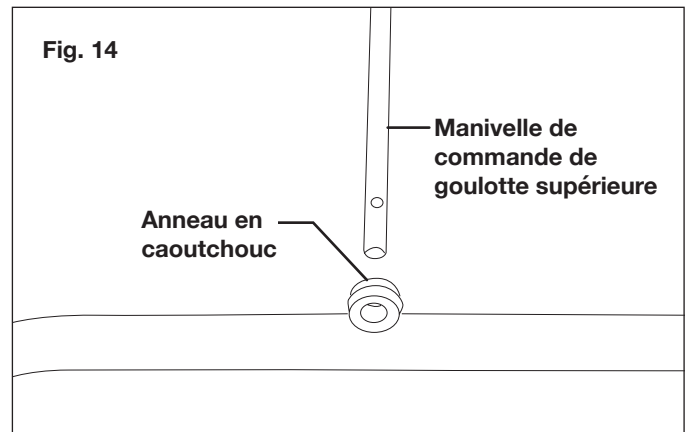
3. Une fois en place, attachez la manivelle de commande de goulotte inférieure à l'aide de la goupille fendue (Fig. 12).



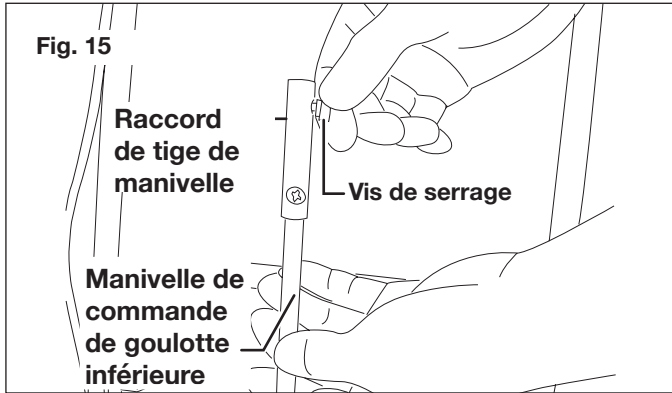
4. Retirez à la main la vis de serrage sur le raccord de tige de manivelle (Fig. 13).



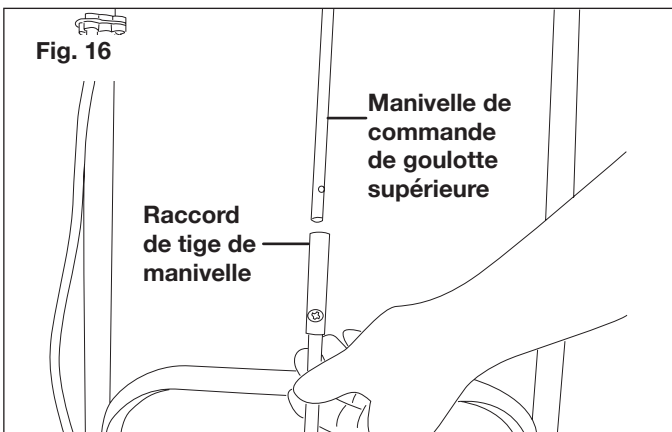
5. Faites glisser la manivelle de commande de goulotte supérieure à travers l'anneau en caoutchouc situé sur le cadre intermédiaire (Fig. 14).



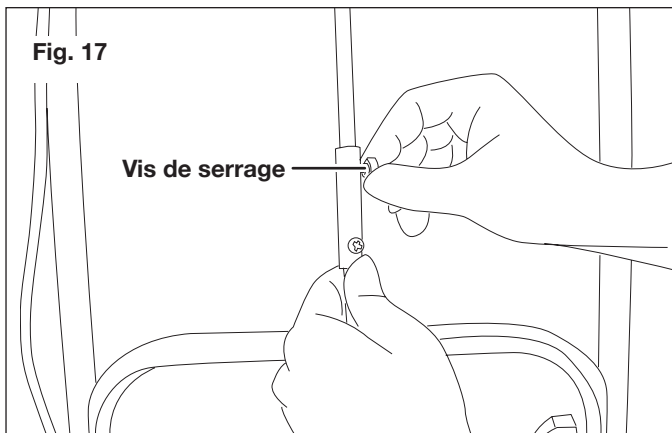
6. Retirez à la main la vis de serrage sur le raccord de tige de manivelle (Fig. 15).



3. Faites glisser la tige supérieure de manivelle dans le raccord de tige de manivelle (Fig. 16).



4. Alignez les trous de vis et serrez la vis de serrage à la main (Fig. 17).

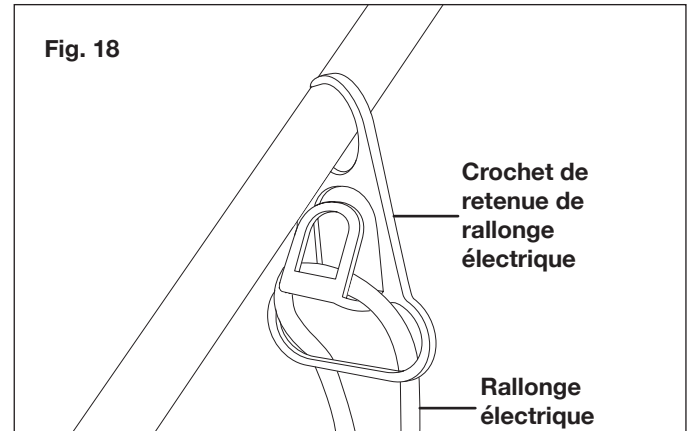


Utilisation

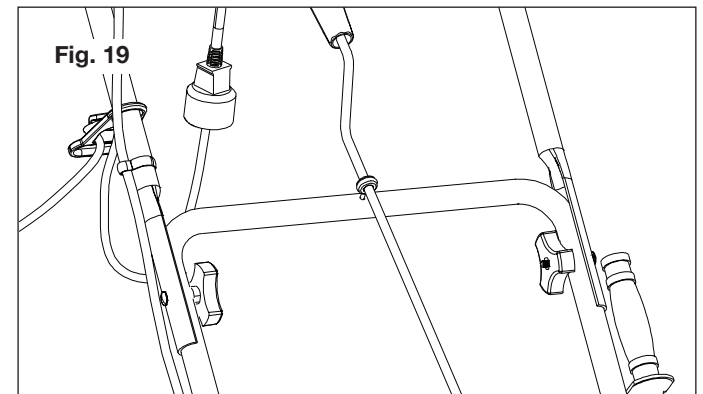
REMARQUE : avant d'utiliser cette machine, assurez-vous que la source d'alimentation électrique que vous utiliserez est conforme aux spécifications détaillées dans ce manuel. Avant d'insérer la fiche dans la prise, vérifiez que la tarière et les patins en caoutchouc de la souffleuse à neige sont solidement attachés par des vis. Les patins en caoutchouc doivent être orientés dans le bon sens. Effectuez un essai pour vous assurer que le rotor tourne librement.

Attache de la rallonge électrique

1. Pour utiliser votre souffleuse à neige sans danger et efficacement, branchez uniquement une rallonge électrique homologuée UL et recommandée pour une utilisation à l'extérieur. Reportez-vous au **tableau des rallonges électriques** en page 2.
2. Poussez la boucle de la rallonge électrique à travers la fente du côté opposé au crochet de retenue. Placez la boucle sur le crochet et tirez la rallonge à travers la fente (Fig. 18).



3. Insérez l'extrémité femelle de la rallonge électrique dans la prise mâle polarisée de la machine (Fig. 19).



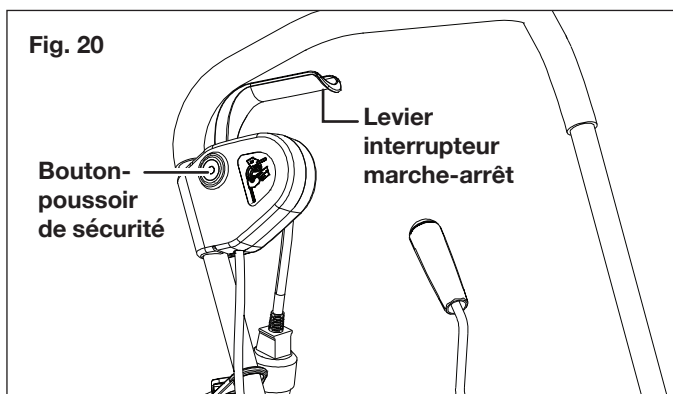
⚠ AVERTISSEMENT! Les cordons d'alimentation endommagés présentent des risques d'incendie, d'électrocution et de graves blessures.

Avant d'utiliser la souffleuse à neige, examinez soigneusement le cordon d'alimentation. Si le cordon est endommagé, n'utilisez pas la souffleuse à neige. Remplacez ou réparez immédiatement le cordon endommagé. Si vous avez besoin d'aide, communiquez avec un revendeur Snow Joe® + Sun Joe® agréé ou avec le service clientèle Snow Joe® + Sun Joe® au 1-866-SNOWJOE (1-866-766-9563).

Mise en marche et arrêt

⚠️ AVERTISSEMENT! La tarière commence à tourner immédiatement après avoir mis en marche la souffleuse à neige. Maintenir les mains et les pieds éloignés de la tarière.

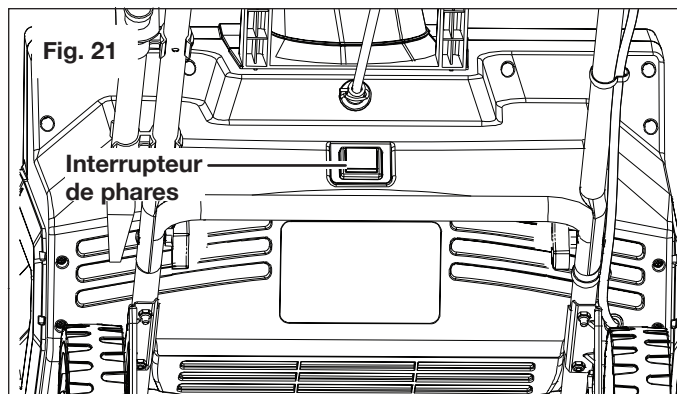
1. Pour mettre en route la machine, appuyez sur le bouton-poussoir de sécurité sur le côté du boîtier d'interrupteur, en le maintenant enfoncé (Fig. 20).
2. Tout en maintenant enfoncé le bouton-poussoir de sécurité, pressez vers vous le levier-interrupteur marche/arrêt. Une fois que la machine a démarré, relâchez le bouton-poussoir de sécurité et commencez à déneiger (Fig. 12). Vous pouvez uniquement démarrer la machine en appuyant d'abord sur le bouton-poussoir de sécurité, puis en pressant le levier interrupteur marche-arrêt. L'opération inverse ne démarrera pas la machine.



3. Pour arrêter la machine, relâchez le levier-interrupteur marche-arrêt.

Phare

La souffleuse à neige est équipée de deux phares qui peuvent être utilisés dans l'obscurité pour éclairer la neige à déblayer devant la machine. Il suffit d'appuyer sur l'interrupteur des phares situé à l'arrière sous la tige de manivelle de la souffleuse à neige (Fig. 21).



REMARQUE : les phares s'allument uniquement quand la souffleuse à neige est en marche. Quand vous avez fini d'utiliser la machine, N'OUBLIEZ PAS D'ÉTEINDRE les phares en appuyant sur l'interrupteur.

Déplacement de la machine et déblayage de la neige

⚠️ AVERTISSEMENT! Des corps étrangers, par exemple des roches, des éclats de verre, des clous, des fils ou de la ficelle, peuvent être ramassés et projetés par la souffleuse à neige en provoquant de graves blessures.

Avant d'utiliser la souffleuse à neige, retirer tous les corps étrangers de la zone à déneiger.

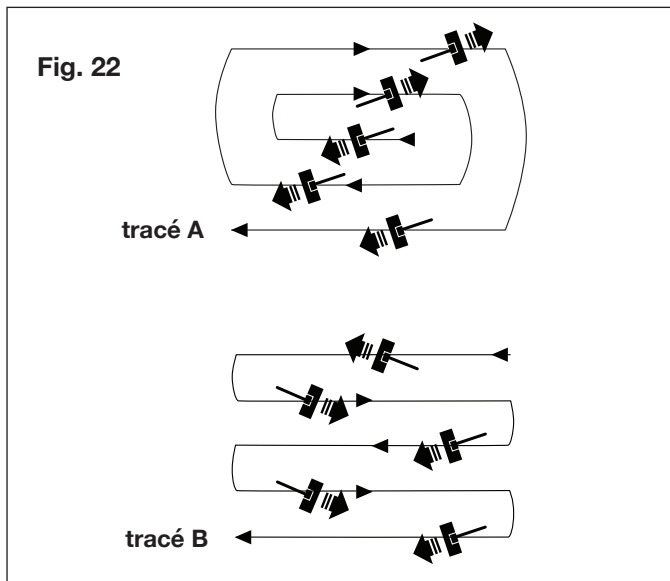
1. Débarrassez la zone de travail de tout ce qui pourrait être rejeté par les lames du rotor. Sachant que certains corps étrangers peuvent être cachés sous la neige, effectuez une inspection minutieuse de la zone de travail. Si la souffleuse à neige heurte un obstacle ou ramasse un corps étranger pendant l'utilisation, arrêtez la souffleuse à neige, débranchez la rallonge électrique, retirez ce qui fait obstacle et inspectez la machine pour vérifier qu'elle n'est pas endommagée. Avant de redémarrer et d'utiliser à nouveau la machine, réparez ou remplacez toute pièce endommagée.
2. Maintenez les enfants, les animaux familiers et les spectateurs éloignés de la zone de travail. Souvenez-vous que le volume sonore normal de la machine en marche peut vous empêcher d'entendre facilement des personnes s'approchant.
3. Quand vous déplacez la souffleuse à neige, utilisez les roues sur un côté comme point de pivotement. Faites légèrement basculer la souffleuse à neige sur ce point de pivotement pour la faire avancer ou reculer.
4. Commencez par déblayer près de la prise de courant et progressez en vous en éloignant et en projetant la neige dans un mouvement de va-et-vient. Pour déblayer dans la direction opposée, posez les deux pieds sur la rallonge et faites pivoter la souffleuse à neige sur ses roues. Assurez-vous de faire chevaucher les tranchées dans la neige.
5. Notez la direction du vent. Au besoin, déplacez-vous dans la même direction que le vent pour éviter que la neige soit projetée contre le vent (dans votre visage et sur le chemin venant juste d'être déblayé).
6. Lorsque vous déplacez la souffleuse à neige, ne tirez pas violemment ou brutalement sur la rallonge électrique. La souffleuse à neige devrait être manœuvrée dans les limites imposées par la longueur de la rallonge électrique.
7. Ne poussez pas la souffleuse à neige en exerçant une force excessive dessus. Vous devez pousser la machine doucement et régulièrement en respectant sa capacité d'éjection.
8. Ne déployez pas une force supplémentaire sur la machine, car le moteur pourrait être endommagé.
9. Certaines pièces de la souffleuse à neige peuvent geler sous des températures extrêmes. N'essayez pas d'utiliser la souffleuse à neige si des pièces sont gelées. Si des pièces gèlent pendant que vous utilisez la souffleuse à neige, arrêtez la machine, débranchez la rallonge électrique et inspectez les pièces gelées. Avant de redémarrer ou d'utiliser la souffleuse à neige, vérifiez que

toutes les pièces se déplacent librement. Ne forcez pas les commandes quand elles sont gelées.

10. Quand vous utilisez la machine sur des pierres, du gravier ou un revêtement non pavé, évitez de projeter des gravillons en même temps que la neige en appuyant sur la poignée pour lever la lame de raclage sous la machine et la faire passer au-dessus des pierres ou du gravier.
11. Pour déneiger entièrement des surfaces plus grandes, il est nécessaire de procéder systématiquement en sachant d'avance où faire passer la souffleuse à neige. En procédant de la sorte, vous éviterez de rejeter la neige là où vous ne le voulez pas et vous ne devrez pas déblayer la neige une seconde fois (Fig. 22).

Tracé A : rejetez la neige à droite ou à gauche, selon le cas. Pour des zones à déneiger comme une longue allée, il est préférable de commencer au milieu. Déneigez d'une extrémité à l'autre en rejetant la neige des deux côtés.

Tracé B : si la neige peut être rejetée d'un seul côté de la zone à déneiger, commencez du côté opposé.



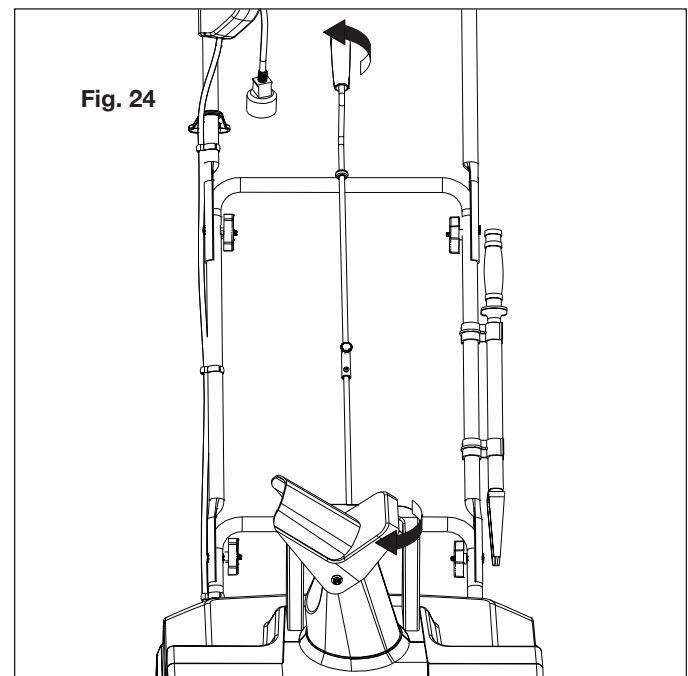
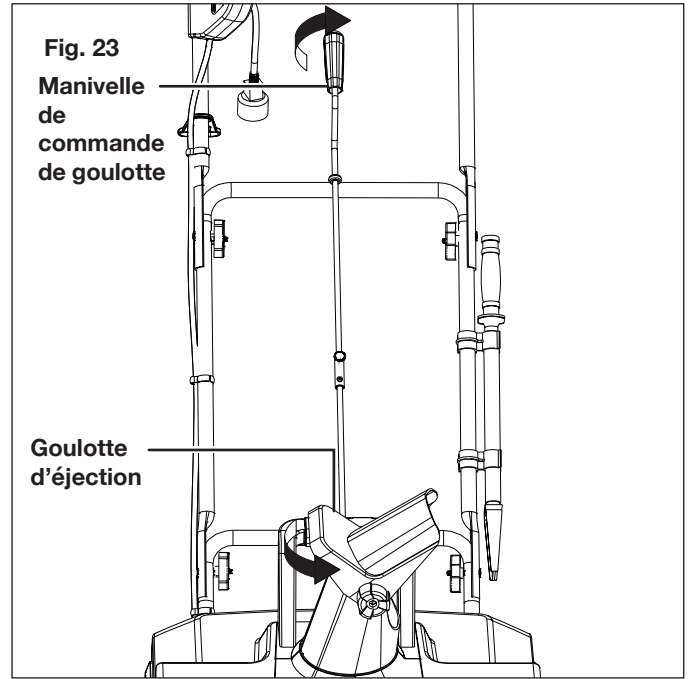
Changement de l'orientation et de la hauteur du jet de neige

⚠ AVERTISSEMENT! Ne jamais orienter la goulotte d'éjection vers l'utilisateur de la machine, des spectateurs, des véhicules ou des fenêtres à proximité. Les projections de neige et de tout ce qui a été accidentellement ramassé par la souffleuse à neige peuvent provoquer de graves dommages matériels et corporels.

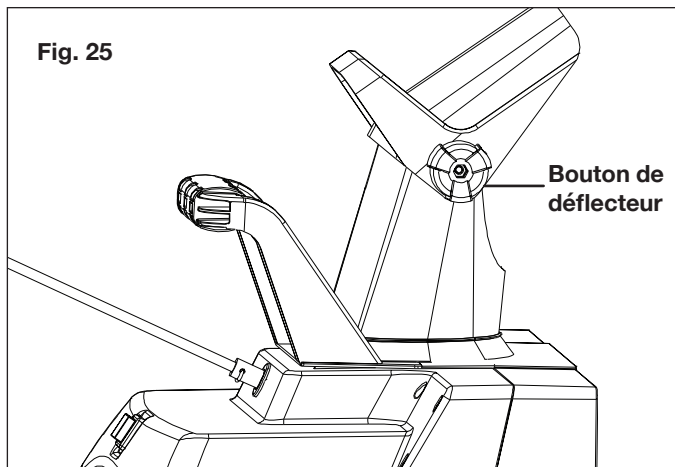
Toujours orienter la goulotte d'éjection dans la direction opposée où vous êtes, où se trouvent des spectateurs, des véhicules ou des fenêtres.

REMARQUE : la première fois que vous la tournez, la manivelle de commande de goulotte offre une certaine résistance. Avec le temps, elle deviendra plus facile à tourner.

1. La goulotte d'éjection peut pivoter à 180 degrés en tournant la manivelle de commande de goulotte. Faites tourner le levier de commande dans le sens des aiguilles d'une montre pour orienter la goulotte vers la gauche (Fig. 23) et dans le sens contraire des aiguilles d'une montre pour orienter la goulotte vers la droite (Fig. 24).



2. Le déflecteur de goulotte sur la partie supérieure de la goulotte d'éjection permet de contrôler la hauteur du jet de neige. Desserrez le bouton pour lever ou abaisser le déflecteur et obtenir la hauteur de jet de neige que vous souhaitez. Serrez le bouton pour attacher solidement le déflecteur (Fig. 25).



⚠ AVERTISSEMENT! S'assurer que le déflecteur de goulotte s'enclenche complètement et se verrouille sur la goulotte d'éjection. Tout espace entre la goulotte d'éjection et le déflecteur de goulotte peut permettre à des corps étrangers d'être ramassés par la souffleuse à neige et projetés dans la direction de son utilisateur en provoquant de graves blessures.

- N'avancez pas le déflecteur de goulotte trop loin vers l'avant, un espace pouvant se créer entre le déflecteur et la goulotte d'éjection.
- Ne serrez pas trop les boutons sur le déflecteur de goulotte.

Entretien

⚠ AVERTISSEMENT! Avant de procéder à toute tâche d'entretien sur la souffleuse à neige, s'assurer de fermer l'interrupteur et de débrancher la rallonge électrique.

Lubrification à vie (moteur et tarière)

Il n'est pas nécessaire de lubrifier la machine, ce qui pourrait l'endommager. La souffleuse à neige est lubrifiée en usine et avant son expédition pour toute sa durée de vie.

Conseils d'entretien d'ordre général

1. N'essayez pas de réparer la machine à moins d'avoir l'outillage adéquat et les bonnes instructions pour démonter et réparer la machine.
2. Inspectez les boulons et les vis à intervalles réguliers et vérifiez qu'ils sont bien serrés pour que le matériel puisse fonctionner en toute sécurité.
3. Après chaque séance de déneigement, faites tourner la souffleuse à neige pendant quelques minutes pour empêcher le collecteur et le rotor de geler. Coupez le moteur, attendez que toutes les pièces tournantes s'arrêtent complètement et essuyez la glace et la neige qui se sont déposées dessus. Tournez plusieurs fois la manivelle de commande de goulotte pour retirer la neige qui pourrait s'être accumulée dessus.
4. Pour nettoyer la souffleuse à neige, utilisez uniquement un chiffon trempé dans de l'eau chaude et une brosse souple; ne répandez ou ne pulvérisez jamais d'eau sur

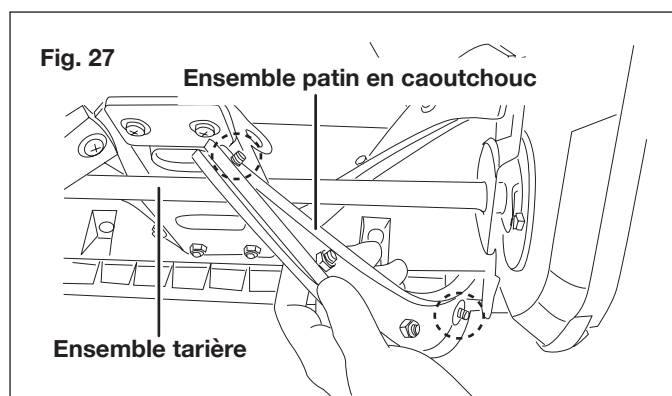
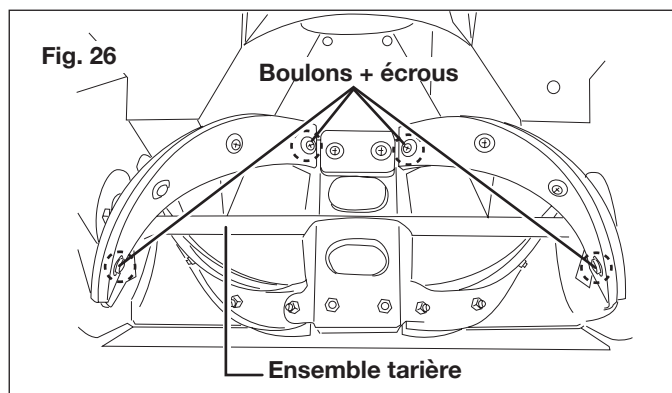
la machine!

5. N'utilisez ni détergents ni solvants, car ils pourraient endommager irrémédiablement la souffleuse à neige. Les produits chimiques peuvent détruire les pièces en plastique.
6. Pour protéger la souffleuse à neige de la corrosion quand vous la remisez pendant de longues périodes, huilez légèrement les pièces en métal.
7. Remisez la machine dans un endroit sec hors de portée des enfants.
8. Pour la sécurité de l'utilisateur, les pièces usées ou endommagées doivent être remplacées. Remplacez uniquement par des pièces de rechange d'origine. Les pièces provenant d'une autre souffleuse à neige peuvent ne pas convenir et rendre dangereuse l'utilisation de la machine.

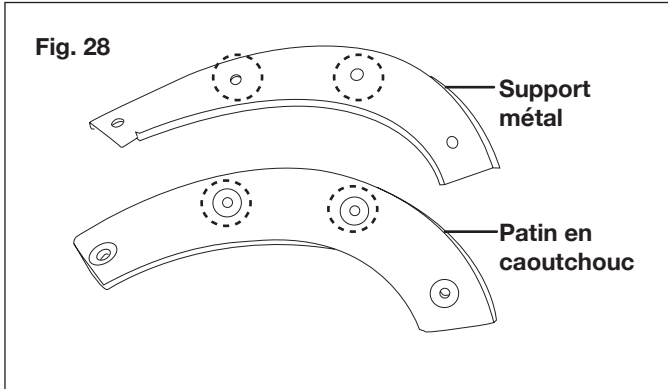
Remplacement des patins en caoutchouc

REMARQUE : si vous remplacez des patins en caoutchouc usés, veillez particulièrement à bien faire la distinction entre le côté rugueux et le côté lisse des patins. Placez le côté rugueux face à l'intérieur et le côté lisse face à l'extérieur.

1. Détachez l'ensemble patin en caoutchouc usé en retirant les deux jeux d'écrous et de boulons l'attachant à l'ensemble tarière (Fig. 26 et 27).



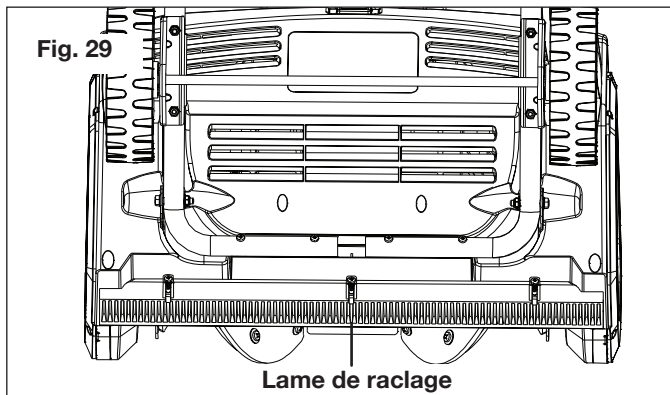
2. Desserrez les deux jeux intermédiaires d'écrous et de boulons afin de pouvoir détacher de son support en métal le patin en caoutchouc usé (Fig. 28).



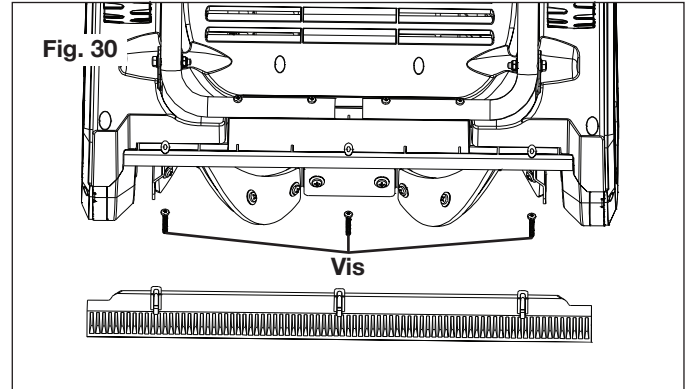
3. Attachez le nouveau patin en caoutchouc au support en métal en remplaçant et en serrant les deux jeux intermédiaires d'écrous et de boulons (Fig. 28).
4. Réassemblez l'ensemble tarière en remplaçant et en serrant les deux jeux d'écrous et de boulons (Fig. 26 et 27).

Remplacement de la lame de raclage

1. La lame de raclage se situe dans la partie inférieure de la souffleuse à neige, sous le caisson du rotor (Fig. 29).



2. Détachez la lame de raclage usée de la souffleuse à neige en retirant les trois vis qui la maintiennent en place (Fig. 30).

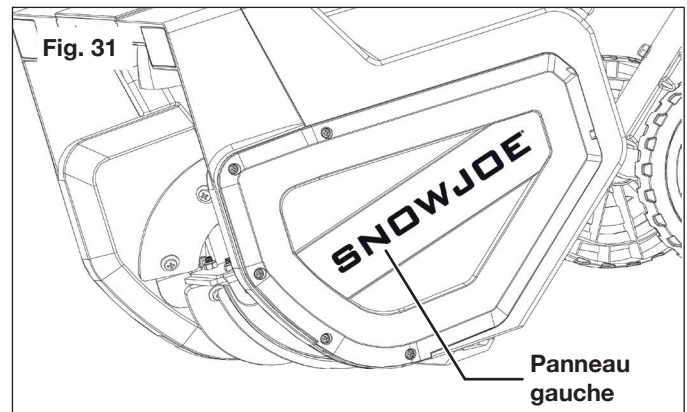


3. Posez la nouvelle lame de raclage et attachez-la solidement à la souffleuse à neige à l'aide des trois vis (Fig. 25).

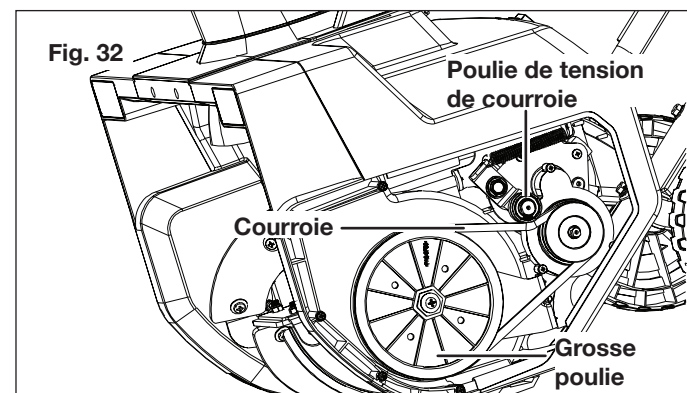
Remplacement de la courroie et de la poulie

REMARQUE : déterminez le côté droit et le côté gauche de la souffleuse à neige en vous tenant debout derrière la machine comme si vous la conduisiez.

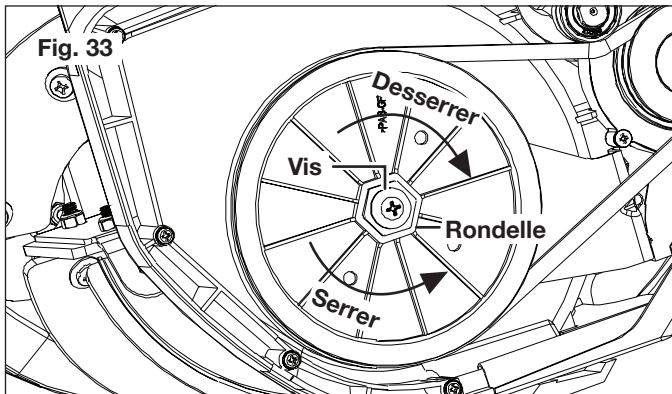
1. Retirez les vis du panneau gauche de la souffleuse à neige et retirez le panneau gauche (Fig. 31).



2. Levez la poulie de tension de courroie et retirez la courroie en la dégageant de la partie supérieure de la grosse poulie (Fig. 32).

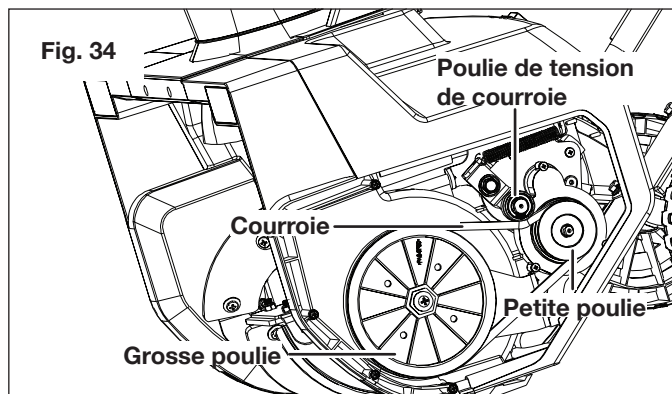


3. Pour remplacer la grosse poulie, retirez la vis et la rondelle de la partie intermédiaire de la poulie. Tout en maintenant la tarière pour qu'elle ne tourne pas, utilisez une clé à douille de 7/8 po pour faire tourner l'écrou extérieur de la poulie dans le sens contraire à la normale (la poulie est montée à l'envers et il faut donc la desserrer ou la serrer dans le sens contraire à la normale, soit dans le sens des aiguilles d'une montre pour la desserrer et dans le sens contraire des aiguilles d'une montre pour la serrer). Une fois que l'ancienne poulie est retirée, remplacez la grosse poulie et serrez l'écrou externe dans le sens contraire des aiguilles d'une montre à l'aide de la clé à douille de 7/8 po. Remplacez et serrez la vis et la rondelle (Fig. 33).



REMARQUE : la neige lourde et mouillée exerce une pression supplémentaire sur les courroies qui doivent donc être remplacées plus fréquemment.

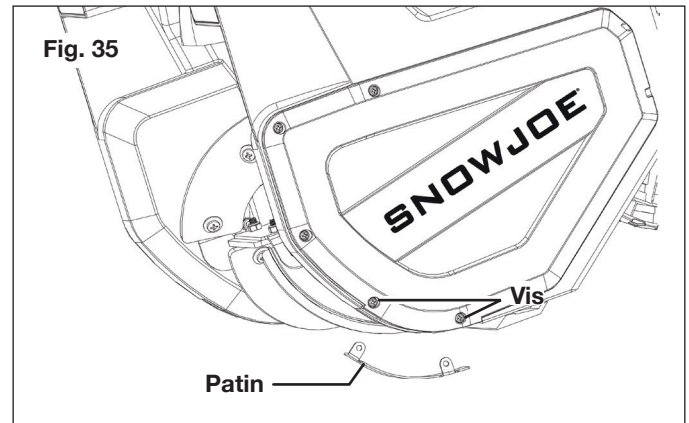
4. Pour poser la nouvelle courroie, levez la poulie de tension de courroie et enroulez la nouvelle courroie sur la petite poulie en formant un angle. Enroulez ensuite la courroie sur la partie supérieure de la grosse poulie en faisant tourner celle-ci dans le sens contraire des aiguilles d'une montre quand la courroie s'accroche à la partie supérieure de la grosse poulie (Fig. 34).



5. Remplacez le panneau gauche de la souffleuse à neige à l'aide de toutes les vis (Fig. 31).

Remplacement des plaques d'usure

Les plaques d'usure sont situées au niveau de la partie inférieure du panneau latéral. Pour retirer les plaques d'usure usées, desserrez les deux vis sur le panneau latéral (Fig. 35). Posez les plaques de rechange en les attachant au panneau latéral à l'aide des deux mêmes vis.



Remise en marche automatique

La souffleuse à neige présente une fonction intégrée de remise en marche automatique. Si la tarière est bloquée par un obstacle important, débranchez tout simplement votre machine, dégagez ce qui fait obstacle, patientez 60 secondes et remettez en marche.

Remisage

1. Laissez le moteur se refroidir complètement avant de nettoyer la souffleuse à neige, de la remettre ou de la transporter. Veillez à ce que la souffleuse à neige ne présente aucun danger potentiel avant de la transporter.
2. Débranchez la rallonge électrique de la souffleuse à neige. Inspectez soigneusement la rallonge électrique pour vérifier qu'elle ne présente aucun signe d'usure et qu'elle n'est pas endommagée. Remplacez-la si elle est usée ou endommagée.
3. Inspectez soigneusement la souffleuse à neige pour déceler la présence éventuelle de pièces usées, desserrées ou endommagées. Vérifiez les raccords et les vis et resserrez au besoin. Pour une réparation ou des pièces à remplacer, communiquez avec votre revendeur Snow Joe® + Sun Joe® agréé ou le service clientèle Snow Joe® + Sun Joe® en appelant le 1-866-SNOWJOE (1-866-766-9563).
4. Remisez la machine, ainsi que la rallonge électrique débranchée, dans un endroit sec, sous clé et hors de portée des enfants, et ce pour empêcher toute utilisation non autorisée de la machine ou qu'elle soit endommagée. Pour une meilleure protection, recouvrez la machine d'une bâche non attachée ou d'une housse universelle pour souffleuse à neige électrique 61 cm de Snow Joe® (modèle SJCVR-24). Pour acheter la housse en ligne, veuillez vous rendre sur le site www.snowjoe.com.

Entretien, réparations et assistance technique

Si votre souffleuse à neige électrique Snow Joe® SJ627E nécessite une intervention technique ou un entretien, veuillez appeler le 1-866-SNOWJOE (1-866-766-9563) pour de l'aide.

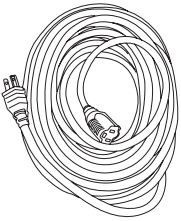
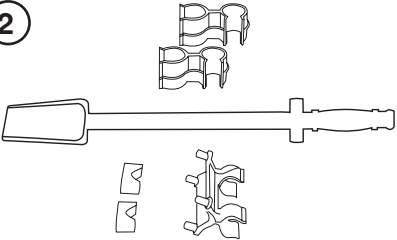
Numéros de modèle et de série

Lorsque vous communiquez avec l'entreprise pour commander des pièces ou prendre rendez-vous pour une intervention technique chez un revendeur agréé, vous devez fournir les numéros de modèle et de série qui se trouvent sur l'étiquette autocollante apposée sur le cache principal de la machine à gauche de la goulotte d'éjection. Copiez ces numéros dans l'espace réservé ci-dessous.

Veillez noter les numéros suivants sur le cache principal de votre nouvelle machine :	
N° de modèle :	
S J 6 2 7 E	
N° de série :	

Accessoires en option

⚠️ AVERTISSEMENT! TOUJOURS utiliser des pièces de rechange et des accessoires Snow Joe® + Sun Joe® homologués. NE JAMAIS utiliser des pièces ou des accessoires qui ne sont pas destinés à être utilisés avec cette souffleuse à neige électrique. Communiquez avec Snow Joe® + Sun Joe® si vous n'êtes pas sûr que l'utilisation d'une pièce de rechange ou d'un accessoire particulier avec votre souffleuse à neige électrique soit sans danger. L'utilisation de tout autre accessoire ou de toute autre pièce détachée peut être dangereuse et pourrait provoquer des dommages corporels ou mécaniques.

Accessoires	Description	Modèle
<p>①</p> 	<p>Rallonge électrique 15 m de calibre 14 Snow Joe® + Sun Joe® SJTW-A dont les extrémités s'éclairent quand elle est sous tension.</p>	<p>PJEXT50-B</p>
<p>②</p> 	<p>Outil universel de curage de goulotte de souffleuse à neige</p>	<p>SJCOT</p>

REMARQUE : les accessoires sont sous réserve de changements sans que Snow Joe® + Sun Joe® soit pour autant tenue de donner un préavis desdits changements. Les accessoires peuvent être commandés en ligne sur le site snowjoe.com ou par téléphone en appelant le service clientèle Snow Joe® + Sun Joe® au 1-866-SNOWJOE (1-866-766-9563).



LA PROMESSE DE SNOW JOE® + SUN JOE® À SES CLIENTS

Vous êtes notre client et Snow Joe, LLC (« Snow Joe ») **SE MET EN QUATRE** pour vous servir. Nous nous efforçons de vous rendre l'utilisation de nos produits aussi plaisante que possible. Malheureusement, il peut arriver qu'un produit Snow Joe®, Sun Joe® ou Aqua Joe (« Produit ») ne fonctionne pas ou se casse dans des conditions d'utilisation normales. Nous pensons qu'il est important que vous sachiez ce que vous pouvez attendre de nous. C'est pourquoi nous avons une garantie limitée (« Garantie ») pour nos Produits.

NOTRE GARANTIE :

Snow Joe déclare et garantit que les Produits neufs, d'origine, électriques ou non électriques sont exempts de vices de matière ou de fabrication et, lorsqu'ils font l'objet d'une utilisation résidentielle et ménagère ordinaire, les garantit pendant une période de deux ans à compter de la date d'achat au détail par l'acheteur primitif auprès de Snow Joe ou d'un des revendeurs agréés de Snow Joe, preuve d'achat à l'appui. Étant donné que Snow Joe ne peut pas contrôler la qualité de ses Produits vendus par des revendeurs non agréés, sauf stipulation contraire de la loi, la présente Garantie ne couvre pas les Produits achetés auprès de vendeurs non agréés. Si votre Produit ne fonctionne pas ou si une pièce spécifique couverte par les modalités de la présente Garantie fait l'objet d'un problème quelconque, Snow Joe choisira (1) de vous envoyer une pièce de rechange gratuite, (2) de remplacer le Produit par un produit neuf ou comparable, gratuitement, ou (3) de réparer le Produit. Génial, n'est-ce pas?

La présente Garantie vous donne des droits judiciaires spécifiques, et vous pouvez également avoir d'autres droits qui peuvent varier d'une province ou d'un territoire à l'autre.

ENREGISTREMENT DU PRODUIT :

Snow Joe vous recommande vivement d'enregistrer votre Produit. Vous pouvez l'enregistrer en ligne sur le site snowjoe.com/register, ou en imprimant et en envoyant par courrier une carte d'enregistrement offerte en ligne sur notre site Web, ou par téléphone en appelant notre Service à la clientèle au **1-866-SNOWJOE (1-866-766-9563)**, ou encore en nous envoyant un courriel à l'adresse help@snowjoe.com. Le fait de ne pas enregistrer l'achat de votre Produit n'a aucune conséquence sur vos droits concernant la garantie. Toutefois, l'enregistrement de votre Produit permettra à Snow Joe de mieux répondre au moindre besoin que vous pourriez avoir en matière de service à la clientèle.

QUI PEUT REVENDIQUER LA COUVERTURE DE LA GARANTIE?

La présente Garantie est étendue par Snow Joe à l'acheteur et propriétaire primitif du Produit.

QU'EST-CE QUI N'EST PAS COUVERT?

La présente Garantie ne s'applique pas si le Produit a été utilisé commercialement, pour des travaux non résidentiels ou s'il fait l'objet d'une location. La présente Garantie ne s'applique pas non plus si le Produit a été acheté auprès d'un revendeur non agréé. La présente garantie ne couvre pas non plus les changements cosmétiques qui n'affectent pas le rendement. Les pièces d'usure comme les courroies, les tarières, les chaînes et les dents ne sont pas couvertes au titre de la présente Garantie et peuvent être achetées en ligne sur le site snowjoe.com ou en appelant le **1-866-SNOWJOE (1-866-766-9563)**.



snowjoe.com