



28-INCH CAST STONE FIRE PIT

PROTECTIVE SCREEN | SCREEN HOOK

OPERATOR'S MANUAL

A Division of Snow Joe®, LLC

Model SJFP28-STN-RW


Form No. SJ-SJFP28-STN-RW-880E-MR2

IMPORTANT!

Safety Instructions

All Operators Must Read These Instructions Before Use

Read all the instructions contained in this manual. Keep this manual in a safe place, so that the information is available at all times. If you give this equipment to another person, make sure to provide these operating instructions. Basic safety precautions should always be followed to reduce the risk of fire or explosion, which could cause property damage, personal injury, or death.

Notice the personal safety alert symbol  used in this manual to draw your attention to a **WARNING** given along with the particular operating instruction. This means that the operation requires special **ATTENTION, CAUTION, and AWARENESS**.

FOR OUTDOOR USE ONLY (outside any enclosure)

WARNING

1. Improper installation, adjustment, alteration, service, or maintenance may result in property damage, injury, or death.
2. Thoroughly read the instructions for installation, operation, and maintenance before installing or servicing this equipment.
3. Failure to follow these instructions could result in a fire or explosion, which could cause property damage, personal injury, or death.

WARNING

1. This item is for outdoor use only, and should NEVER be used in a building, garage, or any other enclosed area.
2. DO NOT use this fire pit for indoor heating. TOXIC carbon monoxide fumes can accumulate and cause asphyxiation or death.
3. This fire pit is NOT for commercial use.
4. This fire pit is NOT to be operated by children.

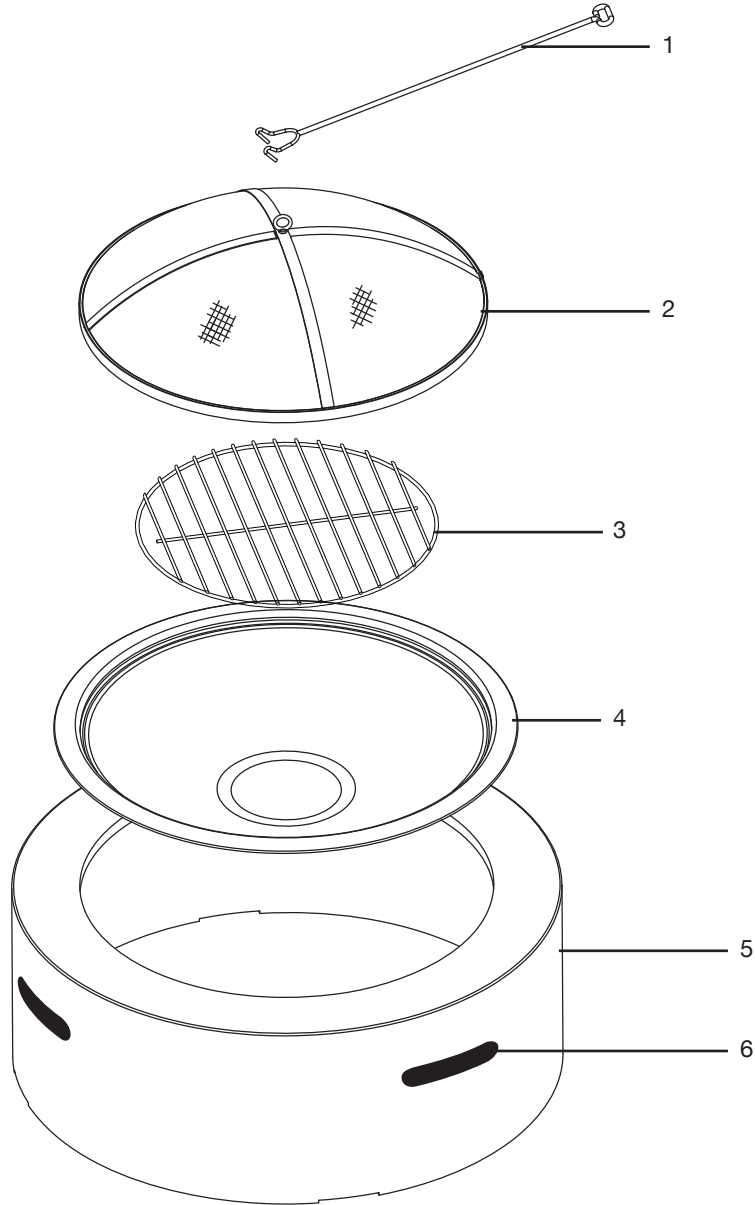
5. This fire pit is NOT to be used in or on boats or recreational vehicles.
6. DO NOT carry the fire pit by the vents. To avoid injury, keep hands away from vent openings while in use.
7. This fire pit is NOT intended for cooking or food preparation.
8. Always use this equipment in accordance with all applicable local, state, and national regulations. Contact your local fire department for details on outdoor burning.
9. When using this fire pit, exercise the same precautions as you would with any open fire.
10. The use of alcohol, prescription, or non-prescription drugs may impair the consumer's ability to properly assemble or safely operate this fire pit.
11. DO NOT use this fire pit without reading this entire manual and all WARNINGS, cautions, and instructions.
12. This fire pit is designed for use with dry, seasoned hardwood. Such wood will burn hotter, burn more completely, and create less smoke.
13. DO NOT burn charcoal briquettes, lump charcoal, manufactured logs, driftwood, trash, leaves, papers, cardboard, plywood, or painted, stained, or pressure-treated wood. Avoid using softwoods such as pine or cedar that can throw sparks.
14. DO NOT alter this fire pit in any manner.
15. DO NOT use this fire pit until it is COMPLETELY assembled and all parts are securely fastened and tightened.
16. DO NOT store or use gasoline or other flammable vapors or liquids in the vicinity of this or any other appliance.
17. DO NOT store or use an LP gas cylinder within 10 feet (3.05 m) of this fire pit while it is in operation.
18. DO NOT use this fire pit near automobiles, trucks, vans, or recreational vehicles.
19. DO NOT use in an explosive atmosphere. Keep outdoor area clean and free from combustible materials, gasoline, and other flammable liquids.
20. DO NOT use this fire pit under an overhead or near any unprotected combustible constructions. Avoid using near or under overhanging trees and shrubs.
21. Always use this fire pit on a hard level non-combustible surface such as concrete, rock, or stone. An asphalt or blacktop surface may not be acceptable for this purpose. DO NOT use on wooden decks.
22. Always empty this fire pit before each use.

23. DO NOT wear flammable or loose clothing when operating this fire pit.
24. DO NOT use in windy conditions.
25. DO NOT use this fire pit unless protective screen is securely in place.
26. DO NOT use gasoline, kerosene, diesel fuel, lighter fluid, or use these items to relight fires.
27. Keep all electrical cords away from a hot fire pit.
28. All surfaces of this fire pit are hot when in operation. To avoid burns, do NOT touch the fire pit until it has completely cooled, unless you are wearing protective gear (i.e. pot holders, gloves, BBQ mittens, hot pads, etc.) Never touch ashes or coals to see if they are hot.
29. DO NOT leave a lit fire pit unattended, especially around children and pets.
30. DO NOT attempt to move or store this fire pit until all of the ashes and coals are completely extinguished.
31. DO NOT remove ashes or coals until they are completely extinguished.
32. Use heat-resistant gloves or hot pads when contacting handles.
33. Use long, sturdy fire pit tools when adding or moving logs.
34. DO NOT place wood directly onto the bottom of the fire pit. Place wood only on the log grid.
35. DO NOT overload the fire pit. DO NOT add additional firewood until the fire burns down.
NOTICE: If any portion of the bowl lid or spark guard of this fire pit glows red, this indicates that the fire pit is overloaded.
36. DO NOT lean over this fire pit when lighting or when in use.
37. DO NOT place a hot spark guard or hot fire pit tools onto combustible surfaces such as grass, wooden decks, or furniture.
38. Avoid breathing smoke from the fire and avoid getting it into your eyes.
39. This fire pit should be thoroughly inspected and cleaned on a regular basis.
40. After a period of storage and/or non-use, check for signs of damage and creosote buildup. DO NOT operate until all necessary repairs and/or proper cleaning procedures have been successfully executed.
41. Death, serious injury, or damage to property may occur if any of the above precautions are not followed exactly.

Know Your Fire Pit

Read the owner's manual and safety rules carefully before using your fire pit. Compare the illustration below to the actual unit in order to familiarize yourself with the location of the various parts and hardware. Save this manual for future reference.

- 1. Screen hook
- 2. Protective screen
- 3. Log grid
- 4. Fire bowl
- 5. Cast stone base
- 6. Vent



Technical Data

Fire Bowl Diameter	24 in. (61 cm)	Screen Hook Dimensions	24 in. (61 cm)
Fire Bowl Depth	5.5 in. (14.1 cm)	Log Grid Diameter	16.5 in. (42 cm)
Cast Stone Base	28 in. (71.1 cm)	Maximum Log Length	18 in. (45.7 cm)
Protective Screen Dimensions	21.3 in. x 5.3 in. (54 cm x 13.6 cm)	Temperature Resistance	1,112°F (600°C)
		Weight	38.5 lbs (17.5 kg)

Unpacking

NOTE: Before beginning assembly, make sure that all of the parts and hardware listed below are present. If any part is missing or damaged, do not attempt to assemble the product. Contact the Snow Joe® + Sun Joe® customer service department at 1-866-SNOWJOE (1-866-766-9563).

Parts

- | | |
|----------------------|--------------------|
| 1. Screen hook | 4. Fire bowl |
| 2. Protective screen | 5. Cast stone base |
| 3. Log grid | |

Hardware

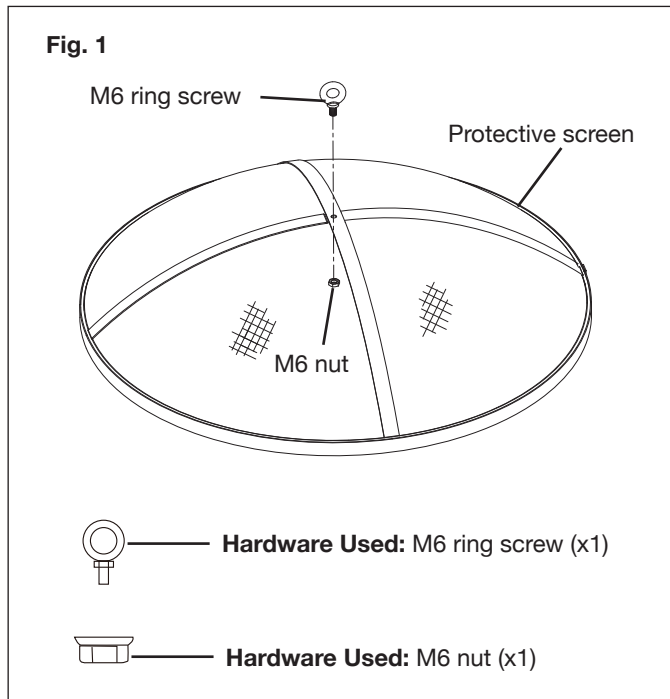
- | | |
|------------------|-----------|
| 6. M6 ring screw | 7. M6 nut |
|------------------|-----------|

Assembling the Fire Pit

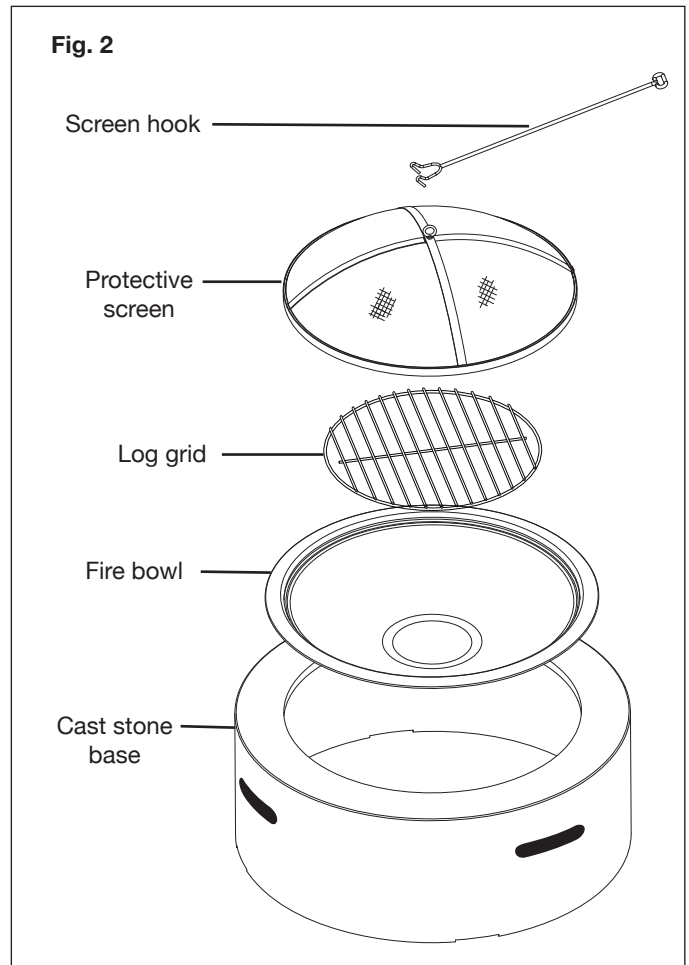
No Tools Required

Choose a soft and level location for assembly. Remove all parts from the packaging, and check for missing parts.

1. Attach the M6 ring screw to the protective screen using the M6 nut (Fig. 1).



2. Place all parts on the cast stone base (Fig. 2).



Care and Maintenance

Lighting

1. Make sure there is only a small amount of ash in the bottom of the bowl.
2. Place a layer of dry kindling or a natural fire-starter onto the center of the log grid.
3. Above the kindling or fire-starter, place a layer of dry seasoned hardwood that is cut to lengths that are no more than 3/4 the diameter of the bowl.
4. Use a match to light the kindling or fire-starter.
5. Using the screen hook that is provided and heat-resistant gloves, replace the protective screen once the kindling or fire-starter is lit.

Tending the Fire

You may need to shift and/or add logs for an ideal fire pit experience. DO NOT place a hot protective screen cover or hot fire pit tools onto combustible surfaces such as grass, wooden decks, or furniture.


1. Using the screen hook that is provided and heat-resistant gloves, carefully remove the protective screen.
2. Using a long-handled fire pit tool, shift the coals and logs to allow for additional air flow.
3. DO NOT add gasoline, kerosene, diesel fuel, lighter fluid, or alcohol to relight or enhance an existing fire.
4. Use a match to light the kindling or fire-starter.
5. Wait until glowing coals have developed before adding any additional wood. If additional wood is required, place the wood on top of the coals, taking care not to shift the ashes.

Extinguishing

1. Let the fire burn itself out.
2. DO NOT use water to extinguish the fire. Such action is dangerous and can cause irreversible damage to the fire pit.

Inspecting

This fire pit should be inspected on a regular basis to ensure product safety and longer product life.

 DO NOT attempt to inspect this fire pit until the fire is COMPLETELY out and the fire pit has COMPLETELY cooled.

1. Check components for any signs of damage or rust.
2. If damage to any component is detected, DO NOT use the fire pit until repairs are properly performed.

Cleaning

This fire pit should be cleaned on a regular basis to promote safer experiences and longer product life.

NOTE: After repeated use, a slight discoloration of the finish may occur.

DO NOT attempt to clean this fire pit until the fire is COMPLETELY out and the fire pit has COMPLETELY cooled.

DO NOT use oven cleaner or abrasive cleaners as they will damage this product.

DO NOT clean any part of this fire pit in a self-cleaning oven as this may damage the finish.

1. Wipe exterior surfaces with a mild dish washing detergent or baking soda.
2. For stubborn surfaces, use a citrus-based degreaser and a nylon scrubbing brush.
3. Rinse and clean with water.

4. Remove built-up creosote from components with a chimney cleaning product.

Storage

DO NOT move or store this fire pit until the fire is COMPLETELY out and the fire pit is cool to the touch.

1. Once the fire is out, the coals have completely cooled, and the fire pit can be safely handled, remove and properly dispose of the ashes.
2. Store the fire pit in a clean and dry location to maximize product life.
3. Store the fire pit assembled in a safe location away from children and pets.

Support

If your Sun Joe® SJFP28-STN-RW cast stone fire pit requires service or maintenance, please call 1-866-SNOWJOE (1-866-766-9563) for assistance.

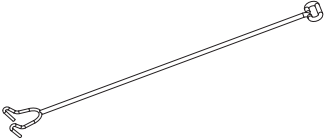
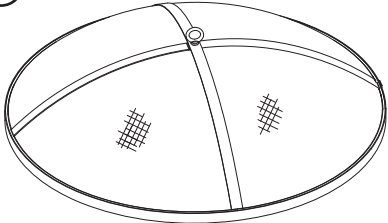
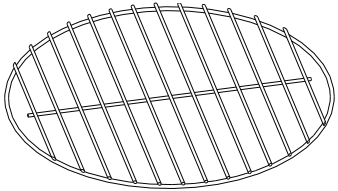
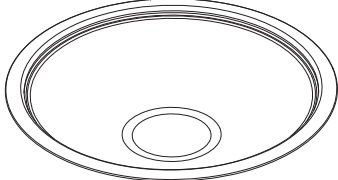
Model and Serial Numbers

When contacting the company, reordering parts, or arranging service from an authorized dealer, you will need to provide the model and serial numbers, which can be found on the decal located on the unit. Copy these numbers into the space provided below.

Record the following numbers from your new product:	
Model #:	
S J F P 2 8 - S T N - R W	
Serial #:	

Optional Accessories

⚠️ WARNING! ALWAYS use only authorized Snow Joe® + Sun Joe® replacement parts and accessories. NEVER use replacement parts or accessories that are not intended for use with this fire pit. Contact Snow Joe® + Sun Joe® if you are unsure whether it is safe to use a particular replacement part or accessory with your fire pit. The use of any other attachment or accessory can be dangerous and could cause injury or mechanical damage.

Accessories	Item	Model
	Screen hook	SJFP35-STN-E
	Protective screen	SJFP28-STN-D
	Log grid	SJFP35-STN-C
	Fire bowl	SJFP28-STN-B

NOTE: Accessories are subject to change without any obligation on the part of Snow Joe® + Sun Joe® to provide notice of such changes. Accessories can be ordered online at sunjoe.com or via phone by contacting the Snow Joe® + Sun Joe® customer service center at 1-866-SNOWJOE (1-866-766-9563).



SNOW JOE® + SUN JOE® CUSTOMER PROMISE

ABOVE ALL ELSE, Snow Joe, LLC (“Snow Joe”) is dedicated to you, our customer. We strive to make your experience as pleasant as possible. Unfortunately, there are times when a Snow Joe®, Sun Joe®, or Aqua Joe® product (“Product”) does not work or breaks under normal operating conditions. We think it’s important that you know what you can expect from us. That’s why we have a Limited Warranty (“Warranty”) for our Products.

OUR WARRANTY:

Snow Joe warrants new, genuine, powered and non-powered Products to be free from defects in material or workmanship when used for ordinary household use for a period of two years from the date of purchase by the original, end-user purchaser when purchased from Snow Joe or from one of Snow Joe’s authorized sellers with proof of purchase. Because Snow Joe is unable to control the quality of its Products sold by unauthorized sellers, unless otherwise prohibited by law, this Warranty does not cover Products purchased from unauthorized sellers. If your Product does not work or there’s an issue with a specific part that is covered by the terms of this Warranty, Snow Joe will elect to either (1) send you a free replacement part, (2) replace the Product with a new or comparable product at no charge, or (3) repair the Product. How cool is that!

This Warranty gives you specific legal rights, and you may also have other rights which vary from State to State.

PRODUCT REGISTRATION:

Snow Joe strongly encourages you to register your Product. You can register online at snowjoe.com/register, or by printing and mailing in a registration card available online from our website, or calling our Customer Service Department at **1-866-SNOWJOE (1-866-766-9563)**, or by e-mailing us at help@snowjoe.com. Failure to register your Product will not diminish your warranty rights. However, registering your Product will allow Snow Joe to better serve you with any of your customer service needs.

WHO CAN SEEK LIMITED WARRANTY COVERAGE:

This Warranty is extended by Snow Joe to the original purchaser and original owner of the Product.

WHAT IS NOT COVERED?

This Warranty does not apply if the Product has been used commercially or for non-household or rental applications. This Warranty also does not apply if the Product was purchased from an unauthorized seller. This Warranty also does not cover cosmetic changes that do not affect performance. Wearing parts like belts, augers, chains and tines are not covered under this Warranty, and can be purchased at snowjoe.com or by calling **1-866-SNOWJOE (1-866-766-9563)**.



sunjoe.com