



13A ELECTRIC PRESSURE WASHER

2100 PSI MAX PRESSURE AT INITIAL DISCHARGE PER CSA INTERNAL PRESSURE TESTING

1.63 GPM MAX FLOW WITHOUT THE NOZZLE ATTACHED

A Division of Snow Joe®, LLC

Model SPX220E-XT

Form No. SJ-SPX220E-XT-880E-M-FTY

IMPORTANT! Safety Instructions

All Operators Must Read These Instructions Before Use

⚠️ WARNING! This indicates a hazardous situation, which, if not avoided, could result in death or serious injury.

⚠️ CAUTION! This indicates a hazardous situation, which, if not avoided, could result in minor or moderate injury.

⚠️ DANGER! This indicates a hazardous situation, which, if not followed, will result in death or serious injury.

IMPORTANT SAFETY INSTRUCTIONS

WARNING – When using this product, basic precautions should always be followed, including the following:

- Read all the instructions before using the product.
- To reduce the risk of injury, close supervision is necessary when a product is used near children.
- Know how to stop the product and bleed pressures quickly. Be thoroughly familiar with the controls.
- Stay alert – watch what you are doing.
- Do not operate the product when fatigued or under the influence of alcohol or drugs.
- Keep operating area clear of all persons.
- Do not overreach or stand on unstable support. Keep good footing and balance at all times.
- Follow the maintenance instructions specified in the manual.
- This product is provided with a ground fault circuit interrupter built into the power cord plug. If replacement of the plug or cord is needed, use only identical replacement parts.
- Warning – risk of injection or injury – do not direct discharge stream at persons.

General Safety

⚠️ WARNING! This appliance is not intended for use by children or by unassisted, unsupervised persons whose physical, sensory or mental capabilities prevent them from using it safely. Children should be supervised to ensure that they do not play with the appliance.

Before starting up your machine, please check it carefully for any defects. If you find any, do not start up your machine. Contact your authorized Snow Joe® + Sun Joe® dealer or call the Snow Joe® + Sun Joe® customer service center at 1-866-SNOWJOE (1-866-766-9563).

⚠️ WARNING! When using the pressure washer, basic safety precautions should always be followed to reduce the risk of fire, electric shock, and personal injury. These include:

- **Know your product** – Know how to stop the machine and bleed pressure quickly. Thoroughly familiarize yourself with the controls.
- **Keep bystanders away** – All visitors and pets should be kept a safe distance away from the work area.
- **Use the right product** – Do not use this machine for any job except that for which it is intended.
- **Dress properly** – Do not wear loose clothing or jewelry. They can get caught in moving parts. Protective rubber gloves and non-slip footwear are recommended when working outdoors.
- **⚠️ CAUTION!** – Exercise caution to avoid slipping or falling. Wear protective footwear that will protect your feet and improve your footing on slippery surfaces.
- **Stay alert** – Watch what you are doing. Use common sense. Do not operate the pressure washer when you are tired, or under the influence of alcohol or drugs.
- **WARNING! Risk of Injection or Injury** – Do not direct discharge stream at persons.
- **Do not overreach** – Keep proper footing and balance at all times.
- **Avoid unintentional starting** – Do not carry a plugged-in machine with your finger on the trigger. Make sure the switch is off before plugging in the machine.
- **Do not abuse the cord** – Never carry the machine by the cord or yank the cord to disconnect it from the receptacle. Keep the cord away from heat, oil, and sharp edges.
- **Use safety glasses** – Also use safety footwear, snug-fitting clothing, protective gloves, hearing and head protection.

- **Check the water temperature** – This pressure washer is not meant to pump hot water. **NEVER** connect it to a hot water supply as it will significantly reduce the life of the pump.
- **Store indoors** – **NEVER** store the pressure washer outdoors or where it could freeze. The pump could be seriously damaged.
- **Inspect electrical cables** – The insulation of the power cord should be perfectly intact. If the power cord is damaged or shows any signs of wear or tear, do not use the pressure washer. Contact your authorized Snow Joe® + Sun Joe® dealer or call the Snow Joe® + Sun Joe® customer service center at 1-866-SNOWJOE (1-866-766-9563).

⚠️ WARNING! Do not use this appliance without reading this instruction manual.

⚠️ WARNING! This appliance has been designed for use with cleaning agents that are recommended by the manufacturer. The use of other cleaning agents or chemicals may adversely affect the safety of the appliance.

⚠️ WARNING! Do not use the appliance within range of persons unless they are wearing protective clothing.

⚠️ WARNING! High-pressure jets can be dangerous if subject to misuse. The jet must not be directed at persons, pets, live electrical equipment, or the appliance itself.

- Do not direct the jet at yourself or others in order to clean clothes or footwear.
- **Risk of explosion** – Do not spray flammable liquids.
- **Disconnect the tool** – Disconnect from the electrical power supply before performing any maintenance task.
- **Keep children away** – This high-pressure electric power washer must not be used by children or untrained personnel.
- To ensure appliance safety, use only original replacement parts from the manufacturer or those approved by the manufacturer.

⚠️ CAUTION! To prevent damage to the appliance, do not allow it to operate dry. Before starting the appliance, make sure that it has a proper and stable supply of water.

⚠️ WARNING! Water that has flowed through backflow preventers is considered to be non-potable.

⚠️ WARNING! During cleaning, maintenance or when replacing parts, the machine must be disconnected from its power source by removing the plug from the socket outlet.

⚠️ WARNING! High-pressure hoses, fittings, and couplings are important for the safe operation of the appliance. Use only hoses, fittings, and couplings recommended by the manufacturer.

- **Check for damaged parts** – Do not use the appliance if the supply cord or other important parts of the appliance are damaged (e.g. safety devices, high-pressure hoses, trigger gun).

⚠️ WARNING! If an extension cord is used, the plug and socket must be of watertight construction.

⚠️ WARNING! Inadequate extension cords can be dangerous.

- This high-pressure electric power washer must not be used at temperatures below 32°F (0°C).

⚠️ WARNING! Power cords on drums should always be completely unwound to prevent the cord from overheating.

- Power cord connections should be kept dry and off the ground.
- If the power cord is damaged, do not use the appliance. Contact your authorized Snow Joe® + Sun Joe® dealer or call the Snow Joe® + Sun Joe® customer service center at 1-866-SNOWJOE (1-866-766-9563).
- Keep the machine on a stable, flat surface during operation, handling, transportation, and storage. Sudden overturn of the machine can cause bodily injury.
- In the event of an accident or breakdown, switch off the machine immediately. (If contact with detergent occurs, rinse with an abundance of clean water.)

Electrical Safety

ATTENTION: If there are problems with the electrical MAINS, short voltage drops may appear when starting the equipment. This can, in turn, influence other equipment (e.g. cause a lamp to blink). If the MAINS-IMPEDANCE $Z_{max} < 0.335 \text{ OHM}$, such disturbances are not expected. (If you require assistance, contact your local supply authority for further information.)

⚠️ WARNING! Electrical Shock Hazard – Before starting up your machine, please check it carefully for any defects. If you find any, do not start up your machine and contact your distributor.


The following should be observed when connecting the high-pressure electric power washer to the electric supply:

- The electric supply connection should be performed by a qualified person.
- The electric supply to this appliance should include either a residual current device that will interrupt the supply if the leakage current to the earth exceeds 30 mA for 30 ms or a device that will interrupt the earth circuit (GFCI).

IMPORTANT: Only use water without any impurities. If there is a risk of running sand into the inlet water (i.e. from your own well), an additional filter should be installed.



Safety Devices

The unloader valve can reduce pressure if it exceeds preset values. The spray gun features a locking device. When the lock is activated, the spray gun cannot be operated.

- 1. Thermal sensor** – A thermal sensor protects the motor against overloading. The machine will restart after a few minutes when the thermal sensor has cooled.
- 2. Double insulation** – In a double-insulated appliance, two systems of insulation are provided instead of grounding. No grounding means is provided on a double-insulated appliance, nor should a means for grounding be added to the appliance. Servicing a double-insulated appliance requires extreme care and knowledge of the system, and should be performed only by qualified service personnel at an authorized Snow Joe® + Sun Joe® dealer. Replacement parts for a double-insulated appliance must be identical to the parts they replace. A double-insulated appliance is marked with the words “Double Insulation” or “Double Insulated.” The symbol  (square within a square) may also be marked on the appliance.
- 3. Ground fault circuit interrupter (GFCI) protection** – this product is provided with a Ground Fault Circuit Interrupter built into the power cord plug. This device provides additional protection from the risk of electric shock. If replacement of the plug or cord is needed, use only identical replacement parts that include GFCI protection.
- 4.** It is not recommended to use an extension cord with this pressure washer. The unit comes standard with a 35 ft GFCI power cable. Using an extension cord may cause a drop in line voltage resulting in loss of power and overheating.

Use only extension cords that are intended for outdoor use. These extension cords are identified by marking "Acceptable for use with outdoor appliance; store indoors while not in use". Use only extension cords having an electrical rating not less than the rating of the product. Do not use damaged extension cords. Examine extension cord before using and replace if damaged. Do not abuse extension cord and do not yank on any cord to disconnect. Keep cord away from heat and sharp edges. Always disconnect extension cord from the receptacle before disconnecting the product from the extension cord.

- 5.** To reduce the risk of electric shock, this appliance has a polarized plug (i.e. one blade is wider than the other). The appliance plug will fit into a polarized outlet only one way. If the appliance plug does not fit fully into the outlet, reverse the plug. If the plug still does not fit, make sure that you are using the correct polarized wall outlet. If the plug still does not fit, contact a qualified electrician to install the proper wall outlet. Do not modify the appliance plug, power cord receptacle, or power cord plug in any way.


WARNING


Electric shock may cause SEVERE INJURY or DEATH. Heed these warnings:

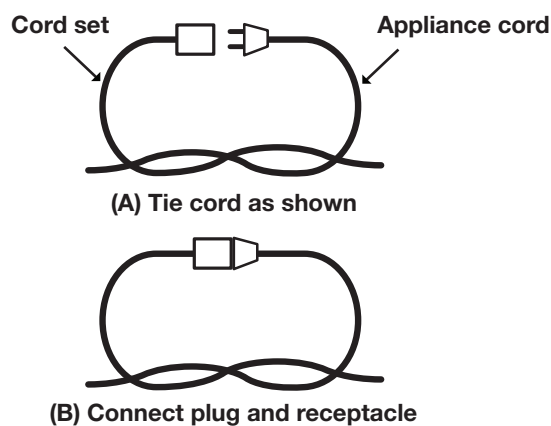
- Do not allow any part of the electric pressure washer to make contact with water while it is in operation. If the appliance becomes wet while turned off, wipe dry before starting.
- Do not use an extension cord over 25 ft. The pressure washer comes equipped with a 35 ft power cable. Combined cord length must not exceed 60 ft. Any extension cord must be 14-gauge (or heavier) to safely power the pressure washer.
- Do not touch the appliance or its plug with wet hands or while standing in water. Wearing rubber boots offers some protection.

EXTENSION CORD CHART

Cord Length:	25 ft (7.6 m)
Min. Wire Gauge (A.W.G.):	14

- 6.** To prevent the appliance cord from disconnecting from the extension cord during operation, make a knot with the two cords as shown in Table 1.

Table 1. Method of Securing Extension Cord



- 7.** Do not abuse the cord. Never pull the pressure washer by the cord or yank the cord to disconnect it from the receptacle. Keep the cord away from heat, oil, and sharp edges.

Risk of Electrocutation

- Inspect cord before using.
- Do not use if cord is damaged.
- Keep all connections dry and off the ground.
- Do not touch plug with wet hands.
- Keep cord away from heat and sharp edges.
- Do not spray electrical apparatus and wiring.

Risk of Explosion

- Do not spray flammable liquids.
- Do not use acids, bases, solvents, or any flammable material in this product. These substances can cause physical injuries to the operator and irreversible damage to the machine.

Additional Safety Instructions

- High-pressure: keep clear of nozzle.
- Injection hazard: equipment can cause serious injury if the spray penetrates the skin.
- Do not point the gun at anyone or at any part of the body.
- In case of skin penetration, seek medical aid immediately.
- Before servicing, cleaning, or removing any parts, shut off the power and relieve pressure.
- This machine is not suitable for connection to the potable water mains.

Product Description

Purpose














- This high-pressure electric power washer is intended for residential use to clean vehicles, machines, buildings, facades, etc.

Areas of Application

- Never use the machine in potentially explosive areas under any circumstances!
- The operating temperature must be between 32°F (0°C) and 104°F (40°C).
- The machine consists of an assembly with a pump, which is encased in a shock-absorbing housing. To provide the operator with an optimal working position, the machine is equipped with a stainless steel lance and a non-slip handle grip, whose shape and configuration comply with applicable regulations.
- Do not cover or modify the stainless steel lance or the spray nozzles in any way.
- The high-pressure electric power washer is designed to be used with cold or lukewarm water; higher temperatures can damage the pump.
- Do not use water that is dirty, gritty, or contains any chemical products, as these could impair operation and shorten the life of the machine.

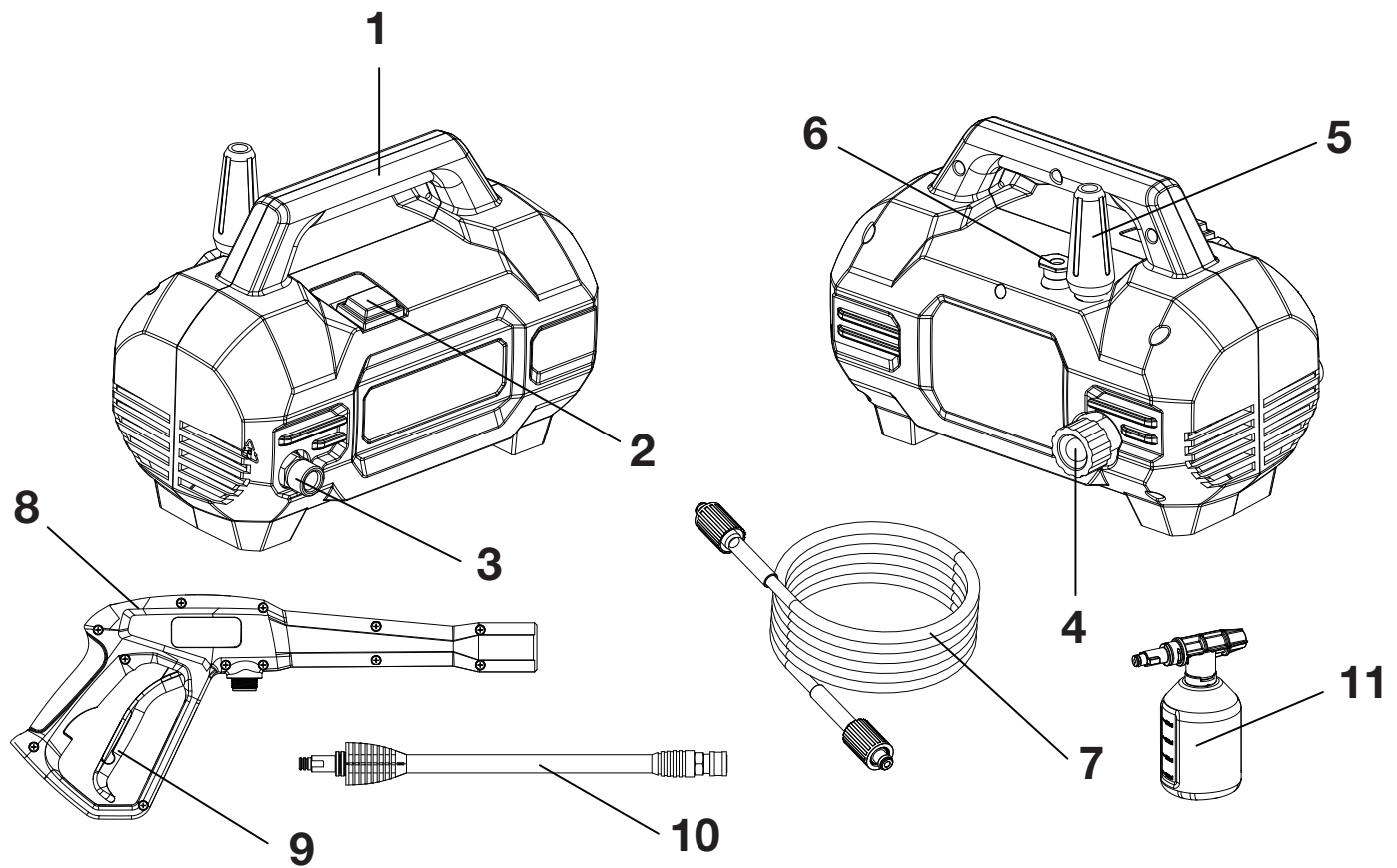
Safety Symbols

The following table depicts and describes safety symbols that may appear on this product. Read, understand, and follow all instructions on the machine before attempting to assemble and operate.

Symbols	Descriptions	Symbols	Descriptions
	READ THE OPERATOR'S MANUAL(S) – Read, understand, and follow all instructions in the user manual(s) before attempting to assemble and operate.		WARNING! Electrical shock hazard.
	SAFETY ALERT – Indicates a precaution, a warning, or a danger.		WARNING! Do not expose the unit to rain or wet conditions. Keep dry.
	WEAR EYE AND HEARING PROTECTION – For protection against injury, wear ear defenders and safety goggles.		To reduce the risk of injury, user must keep all bystanders at least 49 ft (15 m) away.
	Wear safety gloves during use to protect hands.		Wear non-slip footwear that will protect your feet and improve your footing on slippery surfaces.
	Store indoors. Never store the pressure washer outdoors. If the pump freezes, permanent damage may result.		Machine not suitable for connection to the potable water mains.
	Always keep the power cable away from heat sources, oils, or sharp edges. Immediately remove plug from the mains if the cable is damaged, frayed, or entangled.		WARNING! Turn the machine OFF and disconnect it from the power supply before inspecting, cleaning, changing accessories, or conducting any other maintenance task.
	Double Insulation – When servicing, use only identical replacement parts.		

Know Your Electric Pressure Washer

Read the owner's manual and safety instructions carefully before operating the electric pressure washer. Compare the illustration below to the electric pressure washer in order to familiarize yourself with the location of the various controls and adjustments. Save this manual for future reference.



- | | |
|------------------------------|---------------------------------------|
| 1. Handle | 7. Pressure Hose |
| 2. On/Off Switch | 8. Trigger Gun |
| 3. Water Outlet | 9. Trigger |
| 4. Water Inlet | 10. Extension Lance |
| 5. Turbo Nozzle | 11. Detergent bottle with foam cannon |
| 6. Spray Nozzle (yellow 15°) | |

Technical Data

Rated Voltage	120V ~ 60 Hz
Motor	13-amp
Max Water Inlet Temperature	140°F/60°C
Max Water Inlet Pressure	0.7 MPa
Max Pressure at initial discharge	2100 PSI per CSA internal pressure testing
Rated Pressure under typical load	1700 PSI
Max Flow without the nozzle attached	1.63 GPM
Rated Flow under typical load	1.2 GPM
High-Pressure Hose Length	20 ft (6 m)
Foam Cannon Bottle Capacity	15 fl oz (450 ml)
Power Cord Length	35 ft (GFCI Protected)
Net Weight	14.6 lbs (6.6 kg)

Unpacking

Carton Contents

- Electric pressure washer
- Pressure hose
- Trigger gun
- Extension lance
- Turbo nozzle
- Spray nozzle
- Detergent bottle with foam cannon
- Needle clean-out tool
- Manual with registration card

1. Carefully remove the pressure washer and check to see that all of the above items are supplied.
2. Inspect the product carefully to make sure no breakage or damage occurred during shipping. If you find damaged or missing parts, DO NOT return the unit to the store. Please call the Snow Joe® + Sun Joe® customer service center at 1-866-SNOWJOE (1-866-766-9563).

NOTE: Do not discard the shipping carton and packaging materials until you are ready to use your new electric pressure washer. The packaging is made of recyclable materials. Properly dispose of these materials in accordance with local regulations.

IMPORTANT! The equipment and packaging materials are not toys. Do not let children play with plastic bags, foils, or small parts. These items can be swallowed and pose a suffocation risk!

Assembly

1. Position the washer as CLOSE as possible to the water supply.
2. The washer must be used on a secure and stable surface in a standing, upright position (Fig. 1).

Fig. 1



3. Connect one end of pressure hose to the trigger gun. Connect the other end to the washer water outlet and reinforce the connection by the sleeve (Fig. 2-3).

Fig. 2

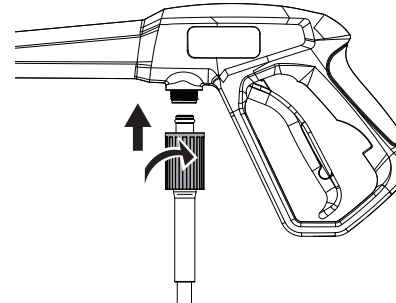
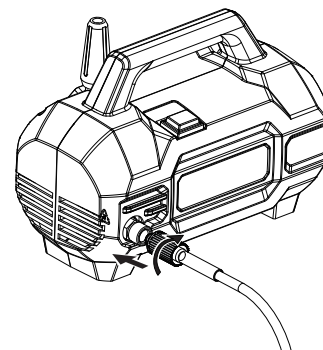
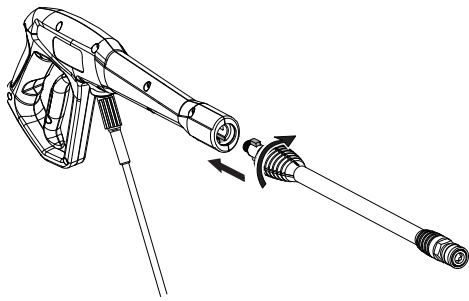


Fig. 3



4. Insert the locking lugs on the extension lance into the trigger gun. Twist until it engages (Fig. 4).

Fig. 4



5. Connect one end of the garden hose to the washer water inlet and connect the other end to the water supply (Fig. 5-6).

⚠ WARNING! The machine is not suitable for connection to the potable water main.

Fig. 5

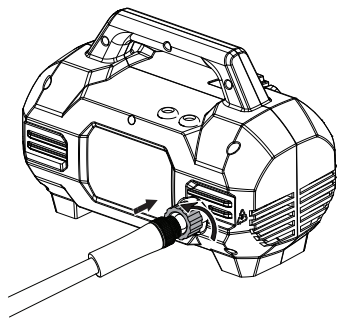
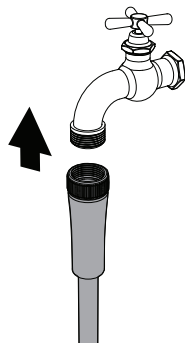


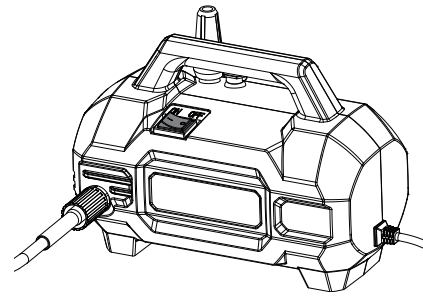
Fig. 6



⚠ WARNING! Keep hose away from sharp objects. Bursting hoses may cause injury. Examine hoses regularly and replace if damaged. Do not attempt to mend a damaged hose.

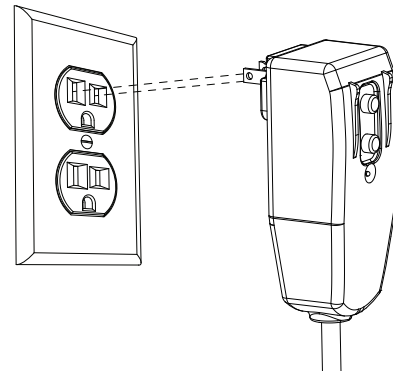
6. Make sure the switch is in OFF position before plugging into the power outlet (Fig. 7).

Fig. 7



7. Connect the pressure washer to the electrical supply matching "SPECIFICATION" in this manual. Press the reset button on the GFCI plug until the indicator illuminates to make sure the washer is ready for operation (Fig. 8).

Fig. 8



NOTE: The GFCI may need to be reset when first plugged into the electric outlet. Press the "Reset" button until the power light indicator on the GFCI illuminates.

Operation

⚠ IMPORTANT! This pressure washer is equipped with a micro-switch sensitive to water flow. This Total Stop System (TSS) senses water flow in the pump. When the trigger is released, water stops flowing through the pump. The TSS then automatically turns the motor off to protect the pump from overheating, thus saving energy and prolonging pump life.

1. Turn the water supply tap on completely.
2. Make sure the safety lock is unengaged, then press the trigger for a few seconds until water flow is steady. This will allow air to escape and discharge any residual pressure in the hose.
3. Press the ON/OFF switch to start the pressure washer.

Using the Nozzles

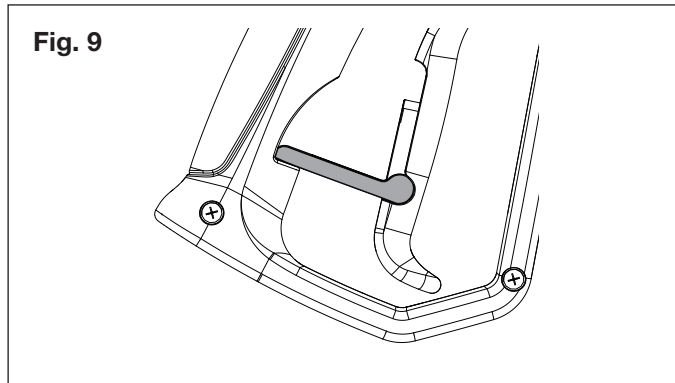
Each nozzle has a different spray pattern. Determine the best nozzle according to the cleaning task to be performed. This electric pressure washer is equipped with two (2) nozzles that easily snap onto the Quick-Connect collar of the stainless steel lance.

⚠ CAUTION! NEVER change nozzles without locking the safety lock on the trigger handle.

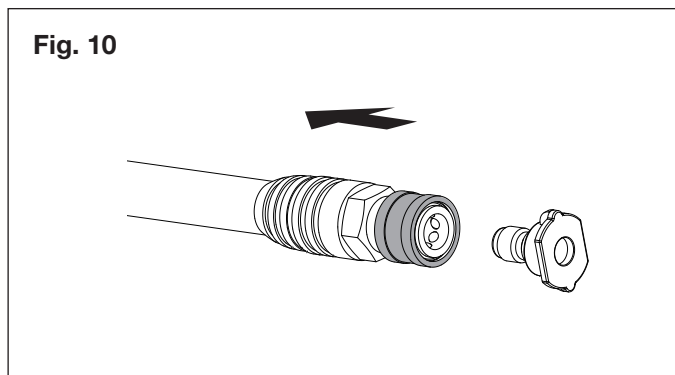
⚠ WARNING! High-pressure jets can be dangerous if subject to misuse. The jet must not be directed at persons, pets, live electrical equipment, or the appliance itself.

To connect a nozzle to the extension lance:

1. Turn off the pressure washer and shut off the water supply. Pull the trigger to release the water pressure.
2. Engage the safety lock on the trigger to prevent unintentional start (Fig. 9).



3. Pull back the collar and insert a desired nozzle. Release the collar to lock the nozzle in place (Fig. 10).



To disconnect a nozzle from the extension lance once the cleaning job is complete:

4. Turn off the pressure washer and shut off the water supply. Pull the trigger to release water pressure.
5. Engage the safety lock on the trigger to lock the trigger.
6. Remove the nozzle by placing your hand over the nozzle while pulling back on the Quick-Connect collar.

⚠ WARNING! Do not make changes to the nozzle while the trigger is engaged. Doing so could result in damage to the pressure washer or injury to the user.

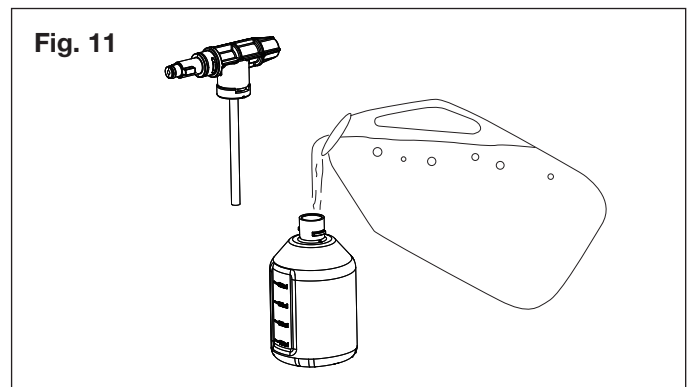
Working with Detergents

When cleaning with the pressure washer, some cleaning tasks can be solved with water alone, but for most tasks cleaning with detergent allows for more effective dirt removal.

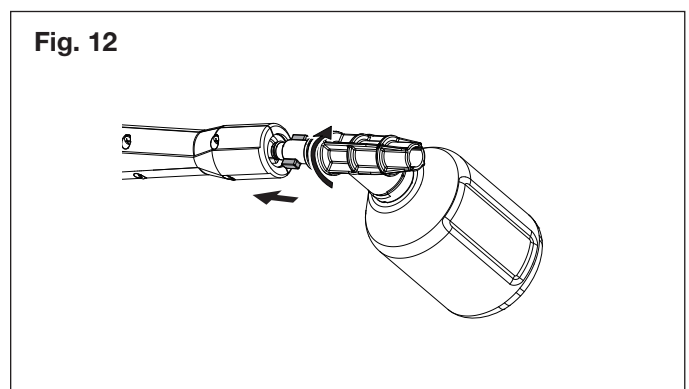
For additional cleaning power, the unit comes equipped with a detergent spray bottle with foam cannon.

⚠ WARNING! Use only detergents specifically designed for use with pressure washers, such as Sun Joe® HOUSE + DECK WASH (SPX-HDC1G), Sun Joe® SNOW FOAM AUTO WASH (SPX-FCS1G), or Sun Joe® HEAVY DUTY CLEANER (SPX-APC1G). **DO NOT USE** household detergents, acids, alkaline solutions, bleaches, solvents, flammable material, or industrial grade solutions. These could damage the pressure washer. Many detergents may require mixing prior to use. Prepare the cleaning solution as instructed on the solution bottle.

1. Remove the foam cannon cap with detergent suction tube from the bottle.
2. Fill the foam cannon bottle with detergent designed specifically for use with pressure washers (Fig. 11).



3. Recap the foam cannon, and attach it to the extension lance by snapping it onto the Quick-Connect collar until it clicks into place (Fig. 12).



4. Apply detergent from the bottom to the top of the dry surface to be cleaned. Applying detergent in this manner will dissolve dirt most effectively.

NOTE: Wetting the surface first is not recommended as it dilutes the detergent and reduces its cleaning ability.

⚠ CAUTION! Always test the detergent in an inconspicuous area before use.

6. Allow the detergent to remain on the surface for a short time before rinsing with the pressure washer. Do not allow the detergent to dry on the surface.

⚠ CAUTION! Damage may occur to painted surfaces if the detergent is allowed to dry on them. Wash and rinse a small section at a time. Avoid working on hot surfaces or in direct sunlight.

Rinsing with the Pressure Washer

1. Turn off the pressure washer and shut off the water supply.
2. Pull the trigger to release water pressure.
3. Engage the safety lock on the trigger to lock the trigger (Fig. 9).
4. Remove the detergent bottle with foam cannon by holding the bottle while pulling back on the Quick-Connect collar.
5. Select the right nozzle for the job:

1) Spray Nozzle

This nozzle creates the widest area of cleaning with relatively low pressure. It is intended for light or delicate cleaning applications such as wood decks and other soft or delicate surfaces.

2) Turbo Nozzle

This nozzle rotates in a zero to 15 degree circular motion spray pattern to break down tough dirt and grime. It covers an area of 4 to 8 inches wide, depending on the distance between the tip and the surface being cleaned.

6. Start at the top of the area to be rinsed and work your way down, making sure to overlap your strokes.

⚠ IMPORTANT! NEVER USE:

- Bleach, chlorine products, and other corrosive chemicals
- Liquids containing solvents (e.g. paint thinners, gasoline, oils)
- Tri-sodium phosphate products
- Ammonia products
- Acid-based products

These chemicals will harm the unit and will damage the cleaning surface.

Shutting Down

1. Turn the switch to the OFF (0) position and unplug the power cord from the power outlet.
2. Turn off the water supply.
3. Hold the trigger to release water pressure.

4. Disconnect the garden hose from washer water inlet.
5. Disconnect the pressure hose from the trigger gun.
6. Release the trigger and engage the safety lock.

⚠ WARNING! Turn off the water supply and squeeze the trigger to depressurize the unit. Failure to do so could result in personal injury due to discharge of high-pressure water.

Taking a Break

If you are taking a break of five minutes or more between cleaning tasks:

1. Engage the gun safety lock (Fig. 9).
2. Turn the switch to the OFF (0) position.
3. Unplug the power cord from the power outlet.

Storage

⚠ CAUTION! Always store your pressure washer in a location where the temperature will not fall below 32°F (0°C). The pump in this machine is susceptible to permanent damage if it freezes. **FREEZE DAMAGE IS NOT COVERED BY THE WARRANTY.**

- Store the pressure washer indoors in a dry, covered area where it is not subject to adverse weather conditions.
- It is important to store this product in a frost-free area.
- Always empty water from all hoses, the pump, and the foam cannon before storing.

⚠ CAUTION! The use of a pump protector is recommended to prevent cold weather damage during storage over the winter months.

Winterizing + Long-Term Storage

If you must store your pressure washer in a location where the temperature falls below 32°F (0°C), you can minimize the chance of damage to your machine by utilizing the following procedure:

- Disconnect all water connections.
- Turn on the machine for a few seconds until the remaining water in the pump exits. Turn off immediately.
- Do not allow the high-pressure hose to become kinked.
- Store the machine and accessories in a room that does not reach freezing temperatures.
- Do not store near a furnace or other sources of heat that may dry out the pump seals.
- Operate the pressure washer with non-corrosive/non-toxic anti-freeze, a pump saver, or a pump protector before storing for the winter.

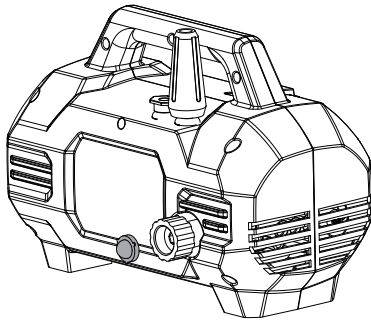
⚠ WARNING! Before reusing, completely flush the unit out with clear water. Anti-freeze products can damage paintwork, so you must ensure there is no anti-freeze left in the system before using it again.

Maintenance

⚠️ CAUTION! Before working on the pressure washer, disconnect the plug from the power supply socket.

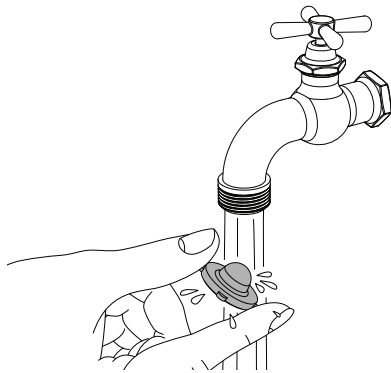
1. To ensure good performance, check and clean the water inlet filter (Fig. 13).

Fig. 13



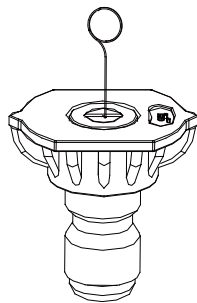
2. Remove the filter and rinse with warm water to prevent any foreign matter from clogging the pump (Fig. 14).

Fig. 14



3. Clean the nozzle with the needle clean-out tool provided (Fig. 15). Remove the stainless steel lance from the gun; remove any dirt from the nozzle hole and rinse.

Fig. 15



4. Remove additional debris by back flushing water through the nozzle and extension lance. To do this, place the end of your garden hose (with water running) to the tip of the nozzle, pushing water and debris out of the back opening of the nozzle and extension lance.

Disposal

Recycling the Washer

- Do not dispose of electrical appliances as unsorted municipal waste. Use separate collection facilities.
- Contact your local government agency for information regarding the collection systems available.
- If electrical appliances are disposed of in landfills or dumps, hazardous substances can leak into the groundwater and get into the food chain, damaging your health and well-being.
- When replacing old appliances with new ones, the retailer is legally obligated to take back your old appliance for disposal free of charge.

Service + Support

If your Sun Joe® SPX220E-XT electric pressure washer requires service or maintenance, please call the Snow Joe® + Sun Joe® customer service center at 1-866-SNOWJOE (1-866-766-9563).

Model + Serial Numbers

When contacting the company, reordering parts, or arranging service from an authorized dealer, you will need to provide the model and serial numbers, which can be found on the decal located on the housing of the unit. Copy these numbers into the space provided below.

Record the following numbers from the housing or handle of your new product:

Model #:

S | P | X | 2 | 2 | 0 | E | - | X | T | | | | | | | | | | | |

Serial #:

| | | | | | | | | | | | | | | | | | | | | | |


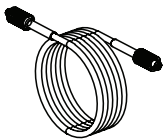



Troubleshooting

- Disconnect the unit from the electrical power supply before carrying out maintenance on the machine or when checking that its parts are in proper working order.
- The hose must be connected and the water turned on before operating your unit. Failure to do so will damage the pump motor and void your warranty.
- Total Stop System (TSS) – The motor will shut OFF and remain in standby mode during periods of inactivity, or as soon as the unit is pressurized. THIS IS NORMAL. Simply squeeze the trigger to restart the pump motor.
- To avoid unnecessary hassles, consult the following table before contacting customer service with any mechanical issues.

Problems	Possible Cause	Possible Solution
Machine refuses to start	<ul style="list-style-type: none"> • Power failure/machine not plugged into a working receptacle. • Defective socket. • Fuse has blown. • Defective extension cord. 	<ul style="list-style-type: none"> • Check to make sure machine is plugged into a working outlet. • Check the power cord and reset the GFCI. Try a different outlet. • Replace fuse. Switch off any other machines that are using the same circuit. • Try the unit without an extension cord.
Fluctuating pressure	<ul style="list-style-type: none"> • Pump sucking air. • Valves dirty, worn out, or stuck. • Pump seals worn out. 	<ul style="list-style-type: none"> • Check the hoses and connections are airtight. • Clean or replace valves/seals. • Please call the Snow Joe® + Sun Joe® customer service center at 1-866-SNOWJOE (1-866-766-9563) for assistance.
Machine stops	<ul style="list-style-type: none"> • Fuse has blown. • Incorrect mains voltage. • Nozzle partially blocked. 	<ul style="list-style-type: none"> • Replace fuse. Switch off other machines using the same circuit. • Check that the mains voltage corresponds to specification on the model tag. • Clean the nozzle.
Fuse blows	<ul style="list-style-type: none"> • Fuse too small. 	<ul style="list-style-type: none"> • Install a fuse with a higher amp rating than the amp consumption of the machine. Try the unit without an extension cord.
Machine pulsating	<ul style="list-style-type: none"> • Air in inlet hose. • Inadequate supply of mains water. • Nozzle partially blocked. • Water filter blocked. • Hose kinked. 	<ul style="list-style-type: none"> • Allow machine to run by holding the trigger until regular working pressure resumes. • Check that the water supply corresponds to the specifications required. • Clean the nozzle. • Clean the water inlet filter. • Straighten out the hose to remove any kinks/blockages.
Machine often starts and stops by itself	<ul style="list-style-type: none"> • Trigger mechanism is broken. 	<ul style="list-style-type: none"> • Please call Snow Joe® + Sun Joe® customer service center at 1-866-SNOWJOE (1-866-766-9563) for assistance.
Machine starts, but no water comes out	<ul style="list-style-type: none"> • Pump/hoses or accessories frozen. • No water supply. • Water inlet filter blocked. • Nozzle blocked. 	<ul style="list-style-type: none"> • Wait for pump/hoses or accessories to thaw. • Connect inlet water. • Clean the water inlet filter. • Clean the nozzle.

Optional Accessories

⚠️ WARNING! ALWAYS use only authorized Snow Joe® + Sun Joe® replacement parts and accessories. NEVER use replacement parts or accessories that are not intended for use with this electric pressure washer. Contact Snow Joe® + Sun Joe® if you are unsure whether it is safe to use a particular replacement part or accessory with your pressure washer. The use of any other attachment or accessory can be dangerous and could cause injury or mechanical damage.

Accessories	Item	Model
	Spray Tip Set (Compatible with most SPX Series Pressure Washers)	SPX-TSN-34S
	20 ft Pressure Hose (For SPX Pressure Washer Series)	SPX3000-33
	Solid Brass Universal Quick-Connect Coupler (Garden Hose to Pressure Washer Adapter)	SPX-UQC
	Sun Joe® House + Deck All-Purpose Pressure Washer Rated Concentrated Cleaner Sun Joe® Premium Snow Foam Pressure Washer Rated Car Wash + Cleaner Sun Joe® All-Purpose Heavy Duty Pressure Washer Rated Cleaner + Degreaser	SPX-HDC1G SPX-FCS1G SPX-APC1G
	3-Pack Pressure Washer Concentrate	SPX-ASST3Q

Sun Joe's complete line of premium pressure washer accessories and attachments make it easy to get your dirty work done, and also help you get the most out of your model!

SHOP ONLINE now at sunjoe.com

NOTE: Accessories are subject to change without any obligation on the part of Snow Joe® + Sun Joe® to provide notice of such changes. Accessories can be ordered online at sunjoe.com or via phone by contacting the Snow Joe® + Sun Joe® customer service center at 1-866-SNOWJOE (1-866-766-9563).



SNOW JOE® + SUN JOE® CUSTOMER PROMISE

ABOVE ALL ELSE, Snow Joe, LLC (“Snow Joe”) is dedicated to you, our customer. We strive to make your experience as pleasant as possible. Unfortunately, there are times when a Snow Joe®, Sun Joe®, or Aqua Joe® product (“Product”) does not work or breaks under normal operating conditions. We think it’s important that you know what you can expect from us. That’s why we have a Limited Warranty (“Warranty”) for our Products.

OUR WARRANTY:

Snow Joe warrants new, genuine, powered and non-powered Products to be free from defects in material or workmanship when used for ordinary household use for a period of two years from the date of purchase by the original, end-user purchaser when purchased from Snow Joe or from one of Snow Joe’s authorized sellers with proof of purchase. Because Snow Joe is unable to control the quality of its Products sold by unauthorized sellers, unless otherwise prohibited by law, this Warranty does not cover Products purchased from unauthorized sellers. If your Product does not work or there’s an issue with a specific part that is covered by the terms of this Warranty, Snow Joe will elect to either (1) send you a free replacement part, (2) replace the Product with a new or comparable product at no charge, or (3) repair the Product. How cool is that!

This Warranty gives you specific legal rights, and you may also have other rights which vary from State to State.

PRODUCT REGISTRATION:

Snow Joe strongly encourages you to register your Product. You can register online at snowjoe.com/register, or by printing and mailing in a registration card available online from our website, or calling our Customer Service Department at **1-866-SNOWJOE (1-866-766-9563)**, or by e-mailing us at help@snowjoe.com. Failure to register your Product will not diminish your warranty rights. However, registering your Product will allow Snow Joe to better serve you with any of your customer service needs.

WHO CAN SEEK LIMITED WARRANTY COVERAGE:

This Warranty is extended by Snow Joe to the original purchaser and original owner of the Product.

WHAT IS NOT COVERED?

This Warranty does not apply if the Product has been used commercially or for non-household or rental applications. This Warranty also does not apply if the Product was purchased from an unauthorized seller. This Warranty also does not cover cosmetic changes that do not affect performance. Wearing parts like belts, augers, chains and tines are not covered under this Warranty, and can be purchased at snowjoe.com or by calling **1-866-SNOWJOE (1-866-766-9563)**.



¡IMPORTANTE!

Instrucciones de seguridad

Todos los operadores deben leer estas instrucciones antes de usarlas

⚠️ ¡ADVERTENCIA! Esto indica una situación potencialmente peligrosa que, si no se evita, puede provocar la muerte o lesiones graves.

⚠️ ¡PRECAUCIÓN! Esto indica una situación peligrosa que, si no se evita, podría provocar lesiones leves o moderadas.

⚠️ ¡PELIGRO! Esto indica una situación peligrosa que, si no se sigue, provocará lesiones graves o la muerte.

MEDIDAS DE SEGURIDAD IMPORTANTES

ADVERTENCIA - Al utilizar este producto, siempre deben seguirse las precauciones básicas, incluyendo las siguientes:

- Lea todas las instrucciones antes de utilizar el producto.
- Para reducir el riesgo de lesiones, es necesario supervisar de cerca el uso del producto cerca de los niños.
- Sepa detener el producto y purgue las presiones rápidamente. Familiarícese a fondo con los controles.
- Manténgase alerta - Vigile lo que esté haciendo.
- No utilice el producto cuando esté fatigado o bajo la influencia de alcohol, fármacos o drogas.
- Mantenga el área de operación libre de personas.
- No se extienda en exceso ni se apoye en un soporte inestable. Mantenga el pie firme y el equilibrio en todo momento.
- Siga las instrucciones de mantenimiento especificadas en el manual.
- Este producto está provisto de un interruptor de circuito de falla a tierra integrado en el enchufe del cable de alimentación. Si es necesario reemplazar el enchufe o el cable, utilice únicamente piezas de repuesto idénticas.
- Advertencia -riesgo de inyección o lesiones - no dirigir el flujo de descarga hacia las personas.

Seguridad general

⚠️ ¡ADVERTENCIA! Este aparato no está destinado al uso por parte de niños o de personas no asistidas y sin supervisión cuyas capacidades físicas, sensoriales o mentales les impidan utilizarlo con seguridad. Los niños deberán estar supervisados para asegurar que no jueguen con el aparato.

Antes de poner en marcha la máquina, compruebe que no tenga ningún defecto. Si encuentra alguno, no ponga en marcha su máquina. Póngase en contacto con su distribuidor autorizado de Snow Joe® + Sun Joe® o llame al centro de atención al cliente de Snow Joe® + Sun Joe® al 1-866-SNOWJOE (1-866-766-9563).

⚠️ ¡ADVERTENCIA! Al utilizar la manguera a presión, deben seguirse siempre las precauciones básicas de seguridad para reducir el riesgo de incendio, descarga eléctrica y lesiones personales. Estas incluyen:

- **Conozca su producto** - sepa cómo detener la máquina y purgar la presión rápidamente. Familiarícese a fondo con los controles.
- **Mantenga alejados a los transeúntes** - Todos los visitantes y las mascotas deben mantenerse a una distancia segura de la zona de trabajo.
- **Utilice el producto adecuado** - No utilice esta máquina para ningún trabajo que no sea para el que está destinado.
- **Vístase correctamente** - No use ropa suelta o joyas. Estas pueden quedar atrapadas en las piezas móviles. Se recomienda utilizar guantes de hule protectores y calzado antideslizante cuando se trabaje al aire libre.
- **⚠️ ¡PRECAUCIÓN!** - Tenga cuidado para evitar resbalones o caídas. Use un calzado protector que proteja sus pies y mejore su estabilidad en superficies resbaladizas.
- **Manténgase alerta** - Vigile lo que esté haciendo. Use el sentido común. No utilice la manguera a presión cuando esté cansado, o bajo la influencia de alcohol, fármacos o drogas.
- **¡ADVERTENCIA! Riesgo de inyección o lesión** - No dirigir el flujo de descarga hacia las personas.
- **No se estire para alcanzarlo** - Mantenga el pie firme y su equilibrio en todo momento.
- **Evite el arranque involuntario** - No transporte la máquina enchufada con el dedo en el gatillo. Asegúrese que el interruptor esté apagado antes de enchufar la máquina.

- **No maltrate el cable** - No lleve nunca la máquina por el cable ni tire de él para desconectarla del tomacorriente. Mantenga el cable alejado del calor, el aceite y de bordes filosos.
- **Utilice gafas de seguridad** - Utilice también calzado de seguridad, ropa ajustada, guantes de protección, protección auditiva y para la cabeza.
- **Compruebe la temperatura del agua** - Esta manguera a presión no está pensada para bombear agua caliente. **NUNCA** la conecte a un suministro de agua caliente, ya que reducirá significativamente la vida útil de la bomba.
- **Almacene en interiores** - **NUNCA** almacene la manguera a presión en el exterior o donde pueda congelarse. La bomba podría resultar gravemente dañada.
- **Inspeccione los cables eléctricos** - El aislamiento del cable de alimentación debe estar perfectamente intacto. Si el cable de alimentación está dañado o muestra algún signo de desgaste, no utilice la manguera a presión. Póngase en contacto con su distribuidor autorizado de Snow Joe® + Sun Joe® o llame al centro de atención al cliente de Snow Joe® + Sun Joe® al 1-866-SNOWJOE (1-866-766-9563).

⚠️ ¡ADVERTENCIA! No utilice este aparato sin leer este manual de instrucciones.

⚠️ ¡ADVERTENCIA! Este aparato ha sido diseñado para ser utilizado con los productos de limpieza recomendados por el fabricante. El uso de otros productos de limpieza o químicos puede afectar negativamente la seguridad del aparato.

⚠️ ¡AVISO! No utilice el aparato al alcance de personas que no lleven ropa de protección.

⚠️ ¡AVISO! Los chorros de alta presión pueden ser peligrosos si se les da un mal uso. El chorro no debe dirigirse a las personas, a las mascotas, a los equipos eléctricos bajo tensión o al propio aparato.

- No dirija el chorro hacia usted o hacia otras personas para limpiar la ropa o el calzado.
- **Riesgo de explosión** - No rociar líquidos inflamables.
- **Desconecte la herramienta** - Desconéctela de la red eléctrica antes de realizar cualquier tarea de mantenimiento.
- **Mantenga alejados a los niños** - Esta manguera eléctrica de alta presión no debe ser utilizada por niños o personal no capacitado.
- Para garantizar la seguridad del aparato, utilice únicamente piezas de repuesto originales del fabricante o aprobadas por éste.

⚠️ ¡PRECAUCIÓN! Para evitar daños en el aparato, no permita que funcione en seco. Antes de poner en marcha el aparato, asegúrese de disponer de un suministro de agua adecuado y estable.

⚠️ ¡ADVERTENCIA! El agua que ha pasado por los desconectores de flujo invertido se considera no potable.

⚠️ ¡ADVERTENCIA! Durante la limpieza, el mantenimiento o el reemplazo de piezas, la máquina debe desconectarse de su fuente de alimentación retirando el enchufe del tomacorriente.

⚠️ ¡ADVERTENCIA! Las mangueras de alta presión, los accesorios y los acoplamientos son importantes para el funcionamiento seguro del aparato. Utilice únicamente mangueras, accesorios y acoplamientos recomendados por el fabricante.

- **Compruebe que no haya piezas dañadas** - No utilice el aparato si el cable de alimentación u otras piezas importantes del aparato están dañadas (por ejemplo, dispositivos de seguridad, mangueras de alta presión, pistola de disparo).

⚠️ ¡ADVERTENCIA! Si se utiliza un cable de extensión, el enchufe y la toma de corriente deben ser de construcción hermética.

⚠️ ¡ADVERTENCIA! Los alargadores inadecuados pueden ser peligrosos.

- Esta manguera eléctrica de alta presión no debe utilizarse a temperaturas inferiores a 32°F (0°C).

⚠️ ¡ADVERTENCIA! Los cables de alimentación de los tambores deben estar siempre completamente desenrollados para evitar el sobrecalentamiento del cable.

- Las conexiones del cable de alimentación deben mantenerse secas y alejadas del suelo.
- Si el cable de alimentación está dañado, no utilice el aparato. Póngase en contacto con su distribuidor autorizado de Snow Joe® + Sun Joe® o llame al centro de atención al cliente de Snow Joe® + Sun Joe® al 1-866-SNOWJOE (1-866-766-9563).
- Mantenga la máquina sobre una superficie estable y plana durante su funcionamiento, manipulación, transporte y almacenamiento. El vuelco repentino de la máquina puede causar lesiones corporales.
- En caso de accidente o avería, desconecte inmediatamente la máquina. (Si entra en contacto con el detergente, enjuague con abundante agua limpia).

Seguridad eléctrica

ATENCIÓN: Si hay problemas con la RED eléctrica, pueden aparecer pequeñas caídas de tensión al arrancar el equipo. Esto puede, a su vez, influir en otros equipos (por ejemplo, hacer que una luz parpadee). Si la IMPEDANCIA DE RED $Z_{\text{máx.}}$ es $< 0.335 \text{ OHM}$, no es de esperar que se produzcan tales perturbaciones. (Si necesita ayuda, póngase en contacto con su autoridad local de suministro para obtener más información).

¡ADVERTENCIA! Peligro de descarga eléctrica

- Antes de poner en marcha su máquina, compruebe que no tenga ningún defecto. Si encuentra alguno, no ponga en marcha la máquina y póngase en contacto con su distribuidor.


Al conectar la manguera de alta presión eléctrica a la alimentación de energía, se debe tener en cuenta lo siguiente:

- La conexión del suministro eléctrico debe ser realizada por una persona calificada.
- El suministro eléctrico de este aparato debe incluir un dispositivo de corriente residual que interrumpa el suministro si la corriente de fuga a tierra supera los 30 mA durante 30 ms o un dispositivo que interrumpa el circuito de tierra (GFCI).

IMPORTANTE: Utilice únicamente agua sin impurezas. Si existe el riesgo de que entre arena en el agua de ingreso (por ejemplo, de su propio pozo), debe instalarse un filtro adicional.

Dispositivos de seguridad

La válvula de descarga puede reducir la presión si supera los valores preestablecidos. La pistola rociadora cuenta con un dispositivo de bloqueo. Cuando el bloqueo está activado, la pistola rociadora no puede funcionar.

1. **Sensor térmico** - Un sensor térmico protege el motor contra la sobrecarga. La máquina se reiniciará después de unos minutos cuando el sensor térmico se haya enfriado.
2. **Doble aislamiento** - En un aparato con doble aislamiento, se proporcionan dos sistemas de aislamiento en lugar de la toma de tierra. No se proporciona ningún medio de conexión a tierra en un aparato con doble aislamiento, ni se debe añadir un medio de conexión a tierra al aparato. El mantenimiento de un aparato de doble aislamiento requiere extremo cuidado y conocimiento del sistema, y debe ser realizado únicamente por personal de servicio calificado en un distribuidor autorizado de Snow Joe® + Sun Joe®. Las piezas de repuesto de un aparato con doble aislamiento deben ser idénticas a las piezas que reemplazan. Un aparato con doble aislamiento está marcado con las palabras "Doble aislamiento" o "Doble aislado". El símbolo  (cuadrado dentro de un cuadrado) también puede estar marcado en el aparato.
3. **Protección el interruptor de circuito de falla a tierra (GFCI)** - este producto está provisto de un interruptor de circuito de falla a tierra integrado en el enchufe del cable de alimentación. Este dispositivo proporciona una protección adicional contra el riesgo de descarga eléctrica. Si es necesario reemplazar el enchufe o el cable, utilice únicamente piezas de repuesto idénticas que incluyan protección GFCI.
4. No se recomienda utilizar un cable de extensión con esta manguera a presión. La unidad viene estándar con un cable de alimentación GFCI de 35 pies. Un cable de extensión de tamaño demasiado pequeño puede causar una caída de tensión, provocando una pérdida de potencia y un sobrecalentamiento.

Utilice sólo cables de extensión destinados a ser utilizados en exteriores. Estos alargadores están

identificados con la marca "Aceptable para su uso con aparatos de exteriores; guárdelo en interiores mientras no lo utilice". Utilice sólo cables de extensión cuya capacidad eléctrica no sea inferior a la del producto. No utilice sólo cables de extensión dañados. Examine el cable de extensión antes de utilizarlo y reemplácelo si está dañado. No abuse del cable de extensión y no tire de ningún cable para desconectarlo. Mantenga el cable alejado del calor y de los bordes afilados. Desconecte siempre el cable de extensión del receptáculo antes de desconectar el producto del cable de extensión.

5. Para reducir el riesgo de descarga eléctrica, este aparato tiene un enchufe polarizado (es decir, una cuchilla es más ancha que la otra). El enchufe del aparato encaja en una toma de corriente polarizada sólo en un sentido.

Si el enchufe del aparato no entra completamente en el tomacorriente, invierta el enchufe. Si el enchufe sigue sin encajar, asegúrese de que esté utilizando el tomacorriente de pared polarizado correcto. Si el enchufe sigue sin encajar, póngase en contacto con un electricista calificado para instalar el tomacorriente de pared adecuado. No modifique el enchufe del aparato, el receptáculo del cable de alimentación o el enchufe del cable de alimentación de ninguna manera.



ADVERTENCIA



Una descarga eléctrica puede causar LESIONES GRAVES o LA MUERTE. Preste atención a estas advertencias:

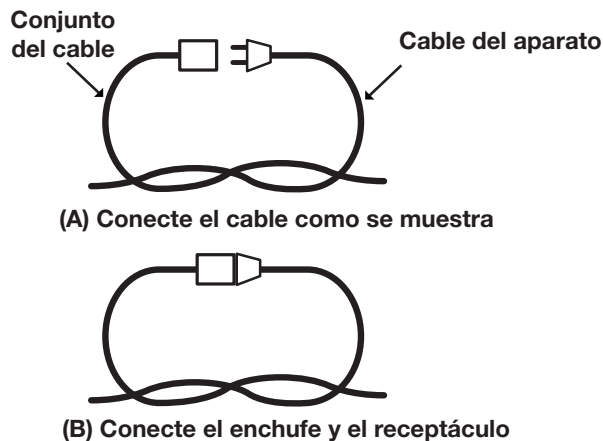
- No permita que ninguna parte de la manguera a presión eléctrica entre en contacto con el agua mientras esté en funcionamiento. Si el aparato se moja mientras está apagado, séquelo antes de ponerlo en marcha.
- No utilice un cable de extensión de más de 25 pies. La manguera a presión viene equipada con un cable de alimentación de 35 pies. La longitud combinada del cable no debe exceder los 60 pies. Cualquier cable de extensión debe ser de calibre 14 (o más pesado) para alimentar con seguridad la manguera a presión.
- No toque el aparato o su enchufe con las manos mojadas o mientras esté en el agua. El uso de botas de goma ofrece cierta protección.

TABLA DE CABLES DE EXTENSION

Longitud del cable:	25 pies (7.6 m)
Min. Calibre del alambre (A.W.G.):	14

6. Para evitar que el cable del aparato se desconecte del cable de extensión durante el funcionamiento, haga un nudo con los dos cables como se muestra en la Tabla 1.

Tabla 1. Método para asegurar un cable de extensión



7. No maltrate el cable. Nunca tire de la manguera a presión por el cable ni tire del cable para desconectarlo del receptáculo. Mantenga el cable alejado del calor, el aceite y de bordes filosos.

Riesgo de electrocución

- Inspeccione el cable antes de usarlo.
- No utilizar si el cable está dañado.
- Mantenga todas las conexiones secas y alejadas del suelo.
- No toque el enchufe con las manos mojadas.
- Mantenga el cable alejado del calor y de los bordes afilados.
- No rociar los aparatos eléctricos y el cableado.

Riesgo de explosión

- No rociar líquidos inflamables.
- No utilice ácidos, bases, disolventes o ningún material inflamable en este producto. Estas sustancias pueden causar lesiones físicas al operador y daños irreversibles a la máquina.

Instrucciones de seguridad adicionales

- Alta presión: manténgase alejado de la boquilla.
- Peligro de inyección: el equipo puede causar lesiones graves si el spray penetra en la piel.
- No apunte la pistola a nadie ni a ninguna parte del cuerpo.
- En caso de penetración en la piel, busque ayuda médica inmediatamente.
- Antes de realizar el mantenimiento, la limpieza o el desmontaje de cualquier pieza, desconecte la alimentación y libere la presión.
- Esta máquina no es apta para ser conectada a la red de agua potable.

Descripción del producto

Propósito














- Esta manguera eléctrica de alta presión está destinada a un uso residencial para la limpieza de vehículos, máquinas, edificios, fachadas, etc.

Áreas de aplicación

- ¡No utilice nunca la máquina en zonas potencialmente explosivas bajo ninguna circunstancia!
- La temperatura de funcionamiento debe estar entre 32°F (0°C) y 104°F (40°C).
- La máquina consiste en un conjunto con una bomba, que está encerrada en una carcasa que absorbe los golpes. Para proporcionar al operario una posición de trabajo óptima, la máquina está equipada con una lanza de acero inoxidable y una empuñadura antideslizante, cuya forma y configuración cumplen la normativa vigente.
- No cubra ni modifique la lanza de acero inoxidable ni las boquillas rociadoras de ninguna manera.
- La manguera eléctrica a alta presión está diseñada para ser utilizada con agua fría o tibia; las temperaturas más altas pueden dañar la bomba.
- No utilice agua sucia, arenosa o que contenga algún producto químico, ya que podría perjudicar el funcionamiento y acortar la vida útil de la máquina.

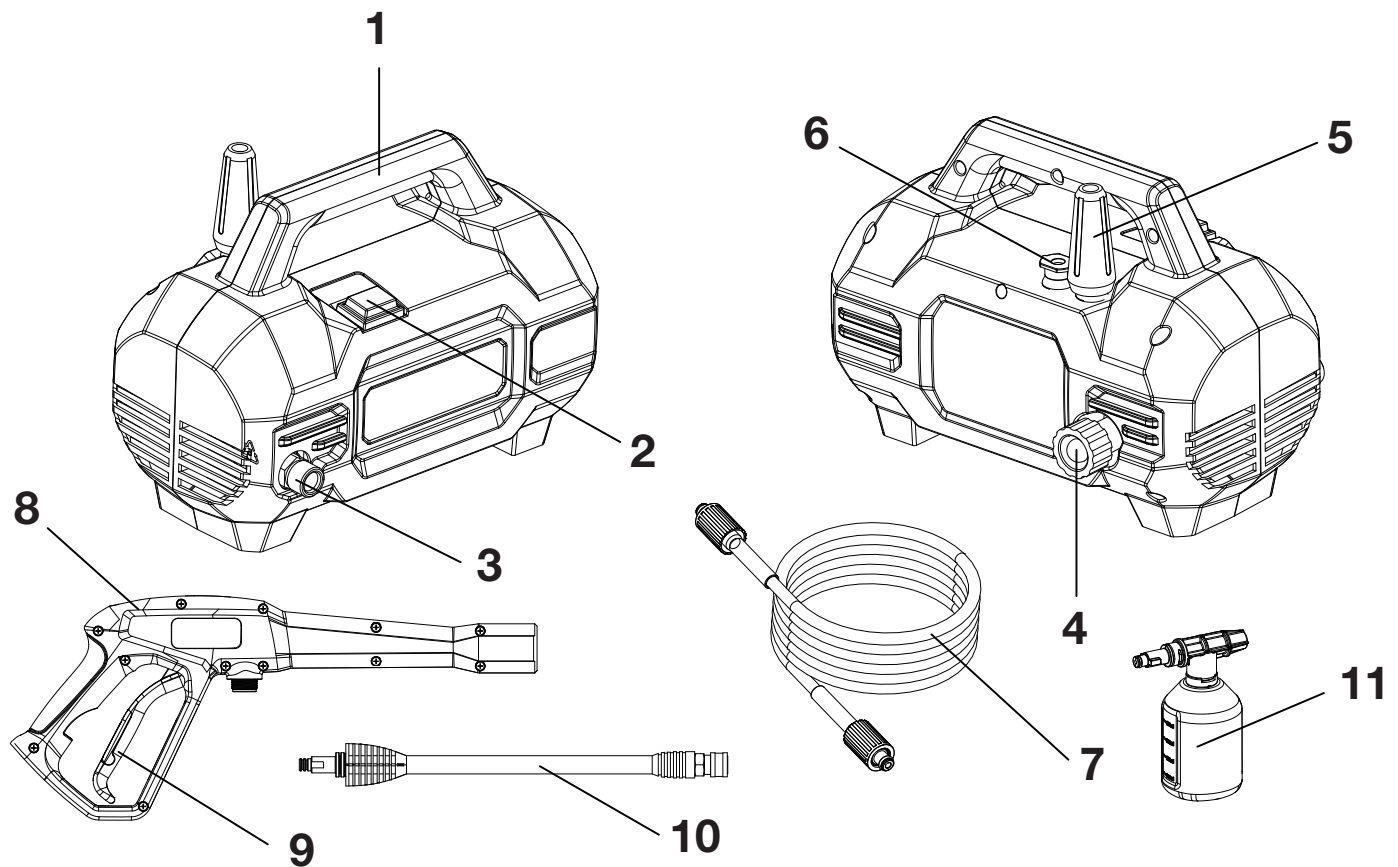
Símbolos de seguridad

La siguiente tabla representa y describe los símbolos de seguridad que pueden aparecer en este producto. Lea, entienda y siga todas las instrucciones de la máquina antes de intentar ensamblarla y operarla.

Símbolos	Descripciones	Símbolos	Descripciones
	LEA EL MANUAL DEL OPERADOR - Lea, comprenda y siga todas las instrucciones del (los) manual(es) del usuario antes de intentar ensamblar y operar.		¡ADVERTENCIA! Peligro de descarga eléctrica.
	ALERTA DE SEGURIDAD - Indica una precaución, una advertencia o un peligro.		¡ADVERTENCIA! No exponga la unidad a la lluvia o a condiciones húmedas. Mantener seco.
	USE PROTECCIÓN PARA LOS OJOS Y EL OÍDO - Para protegerse de las lesiones, use protectores para los oídos y gafas de seguridad.		Para reducir el riesgo de lesiones, el usuario debe mantener a todos los transeúntes a una distancia mínima de (49 pies) 15 m.
	Llevar guantes de seguridad durante el uso para protegerse las manos.		Use un calzado protector que proteja sus pies y mejore su estabilidad en superficies resbaladizas.
	Almacene en interiores. No almacene nunca la manguera a presión al aire libre. Si la bomba se congela, pueden producirse daños permanentes.		Máquina no apta para la conexión a la red de agua potable.
	Siempre mantenga el cable de energía alejado de fuentes de calor, aceites o bordes filosos. Retire inmediatamente el enchufe de la conexión principal si el cable está dañado o enredado.		¡ADVERTENCIA! Apague la máquina y desconéctela del suministro de energía antes de inspeccionarla, limpiarla, cambiar accesorios o realizar otras tareas de mantenimiento.
	Doble aislamiento: Cuando realice el mantenimiento, use sólo piezas de repuesto idénticas.		

Conozca su manguera eléctrica a presión

Lea atentamente el manual del propietario y las instrucciones de seguridad antes de utilizar la manguera eléctrica. Compare la ilustración que aparece a continuación con la manguera eléctrica para familiarizarse con la ubicación de los distintos controles y ajustes. Conserve este manual para futuras consultas.



1. Mango
2. Interruptor de encendido/apagado
3. Salida de agua
4. Entrada de agua
5. Boquilla turbo
6. Boquilla rociadora (amarillo 15°)

7. Manguera de presión
8. Pistola disparadora
9. Gatillo
10. Lanza de extensión
11. Botella de detergente con cañón de espuma

Datos técnicos

Tensión nominal	120V ~ 60 Hz
Motor	13 amperios
Temperatura máxima de entrada del agua	140°F/60°C
Presión máxima de entrada del agua	0.7 MPa
Presión máxima en la descarga inicial	2,100 PSI por prueba de presión interna CSA
Presión nominal bajo carga típica	1,700 PSI
Flujo máximo sin la boquilla acoplada	1.63 GPM
Flujo nominal bajo carga típica	1.2 GPM
Longitud de la manguera de alta presión	6 m (20 pies)
Capacidad de la botella del cañón de espuma	15 oz líq (450 ml)
Longitud del cable de alimentación	35 pies (con protección GFCI)
Peso neto	14.6 lbs (6.6 kg)

Desembalaje

Contenido del paquete

- Manguera eléctrica a presión
- Manguera de presión
- Pistola con gatillo
- Lanza de extensión
- Boquilla turbo
- Boquilla rociadora
- Botella de detergente con cañón de espuma
- Herramienta de limpieza de agujas
- Manual con tarjeta de registro

1. Retire con cuidado la manguera a presión y compruebe que todos los elementos anteriores estén suministrados.
2. Inspeccione el producto cuidadosamente para asegurarse de que no haya ocurrido ninguna rotura o daño durante el transporte. Si encuentra piezas dañadas o faltantes, NO devuelva la unidad a la tienda. Llame al centro de atención al cliente de Snow Joe® + Sun Joe® al 1-866-SNOWJOE (1-866-766-9563).

NOTA: No deseche la caja de cartón ni los materiales de embalaje hasta que esté listo para usar su nueva manguera eléctrica a presión. El empaque está fabricado con materiales reciclables. Elimine correctamente estos materiales de acuerdo con la normativa local.

¡IMPORTANTE! Los equipos y el material de embalaje no son juguetes. No deje que los niños jueguen con bolsas plásticas, láminas o piezas pequeñas. Esos objetos se pueden ingerir y suponen un riesgo de asfixia.

Ensamblaje

1. Coloque la manguera lo más CERCA posible del suministro de agua.
2. La manguera debe utilizarse sobre una superficie segura y estable, en posición vertical y de pie (Fig. 1).

Fig. 1



3. Conecte un extremo de la manguera de presión a la pistola de disparo. Conecte el otro extremo a la salida de agua de la manguera y refuerce la conexión con el manguito (Fig. 2-3).

Fig. 2

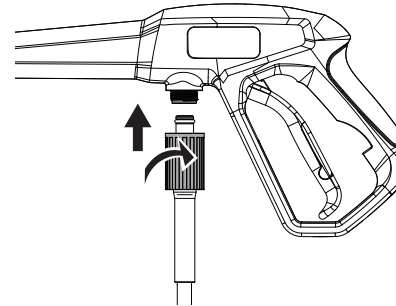
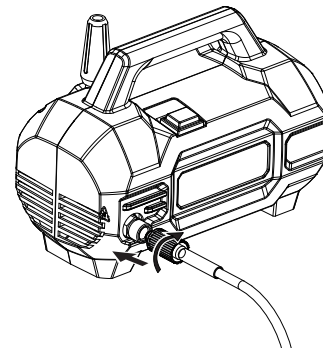
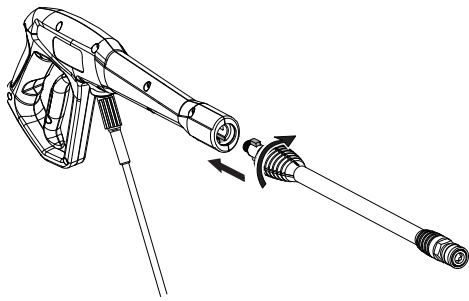


Fig. 3



4. Introduzca las lengüetas de bloqueo de la lanza de extensión en la pistola de disparo. Gire hasta que encaje (Fig. 4).

Fig. 4



5. Conecte un extremo de la manguera de jardín a la entrada de agua de la manguera a presión y conecte el otro extremo al suministro de agua (Fig. 5-6).

⚠ ¡ADVERTENCIA! La máquina no es apta para ser conectada a la red de agua potable.

Fig. 5

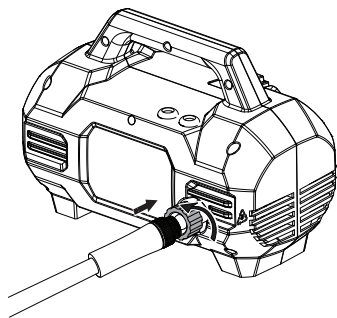
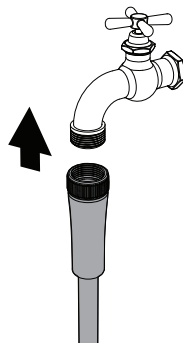


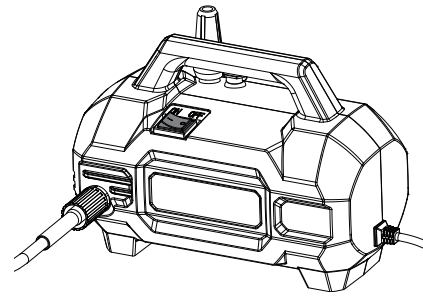
Fig. 6



⚠ ¡ADVERTENCIA! Mantenga la manguera alejada de objetos afilados. La rotura de las mangueras puede causar lesiones. Examine regularmente las mangueras y reemplácelas si están dañadas. No intente reparar una manguera dañada.

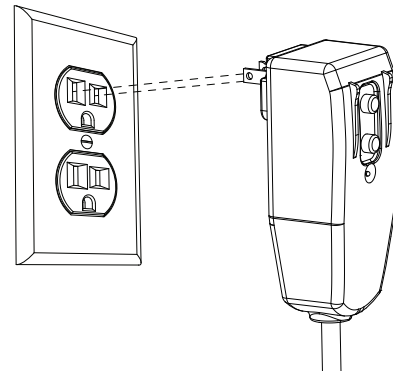
6. Asegúrese de que el interruptor esté en la posición OFF antes de conectarlo al tomacorriente (Fig. 7).

Fig. 7



7. Conecte la manguera a presión a la red eléctrica según las "ESPECIFICACIONES" de este manual. Presione el botón de reinicio del enchufe GFCI hasta que el indicador se ilumine para asegurarse de que la manguera está lista para funcionar (Fig. 8).

Fig. 8



NOTA: Es posible que haya que reiniciar el GFCI cuando se enchufe por primera vez al tomacorriente. Presione el botón "Reset" hasta que se ilumine el indicador luminoso del GFCI.

Operación

⚠ ¡IMPORTANTE! Esta manguera está equipada con un microinterruptor sensible al flujo de agua. Este sistema de parada total (TSS) detecta el flujo de agua en la bomba. Cuando se suelta el gatillo, el agua deja de fluir por la bomba. A continuación, el TSS apaga automáticamente el motor para proteger la bomba del sobrecalentamiento, ahorrando así energía y prolongando su vida útil.

1. Abra completamente el caño de suministro de agua.
2. Asegúrese de que el bloqueo de seguridad no está activado y, a continuación, pulse el gatillo durante unos segundos hasta que el flujo de agua sea constante. Esto permitirá que el aire salga y descargue cualquier presión residual en la manguera.
3. Presione el interruptor ON/OFF para poner en marcha la manguera.

Uso de las boquillas

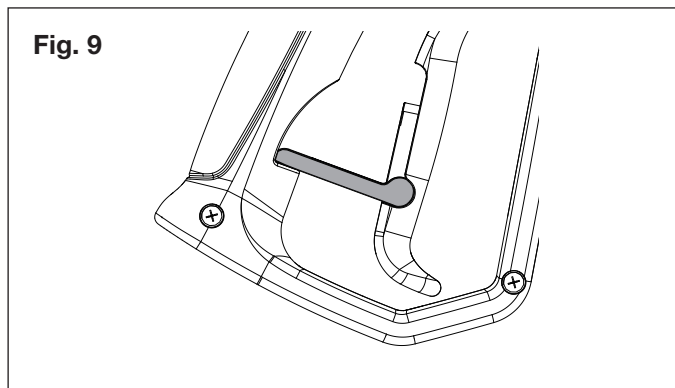
Cada boquilla tiene un patrón de rociado diferente. Determine la mejor boquilla según la tarea de limpieza a realizar. Esta manguera eléctrica está equipada con dos (2) boquillas que se acoplan fácilmente al collarín Quick-Connect de la lanza de acero inoxidable.

⚠️;PRECAUCIÓN! NUNCA cambie las boquillas sin bloquear el bloqueo de seguridad del asa del disparador.

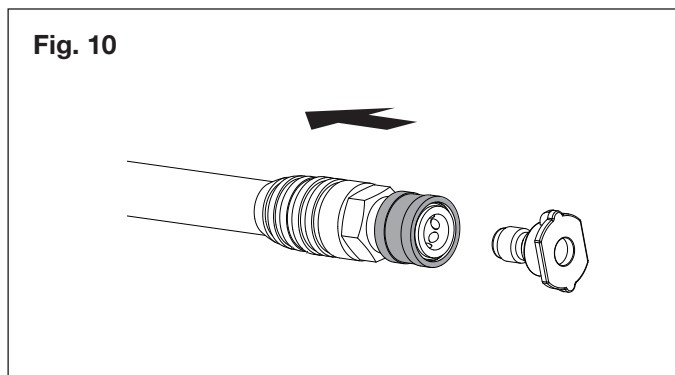
⚠️;ADVERTENCIA Los chorros de alta presión pueden ser peligrosos si se les da un mal uso. El chorro no debe dirigirse a las personas, a las mascotas, a los equipos eléctricos bajo tensión o al propio aparato.

Para conectar una boquilla a la lanza de extensión:

1. Apague la lavadora a presión y cierre el suministro de agua. Tire del disparador para liberar la presión del agua.
2. Enganche el bloqueo de seguridad del disparador para evitar un arranque involuntario (Fig. 9).



3. Tire del collarín hacia atrás e introduzca la boquilla deseada. Suelte el collar para bloquear la boquilla en su lugar (Fig. 10).



Para desconectar una boquilla de la lanza de extensión una vez finalizado el trabajo de limpieza:

4. Apague la lavadora a presión y cierre el suministro de agua. Tire del disparador para liberar la presión del agua.
5. Enganche el bloqueo de seguridad en el disparador para bloquearlo.

6. Retire la boquilla colocando su mano sobre la boquilla mientras tira hacia atrás del collar Quick-Connect.

⚠️;ADVERTENCIA No realice cambios en la boquilla mientras el disparador esté enganchado. Si lo hace, podría dañar la manguera a presión o herir al usuario.

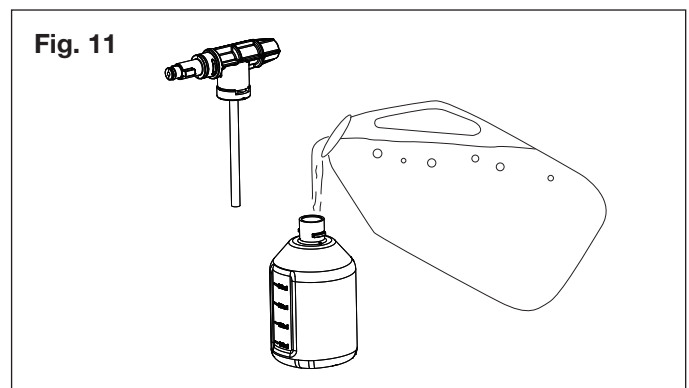
Trabajando con detergentes

Al limpiar con la manguera a presión, algunas tareas de limpieza pueden resolverse sólo con agua, pero para la mayoría de las tareas la limpieza con detergente permite eliminar la suciedad de forma más eficaz.

Para un poder de limpieza adicional, la unidad viene equipada con una botella de spray de detergente con cañón de espuma.

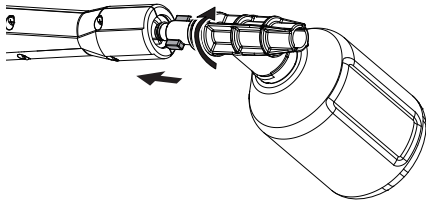
⚠️;ADVERTENCIA! Utilice sólo detergentes específicamente diseñados para su uso con mangueras a presión, como Sun Joe® HOUSE + DECK WASH (SPX-HDC1G), Sun Joe® SNOW FOAM AUTO WASH (SPX-FCS1G), o Sun Joe® HEAVY DUTY CLEANER (SPX-APC1G). **NO UTILICE** detergentes domésticos, ácidos, soluciones alcalinas, lejías, disolventes, material inflamable o soluciones de tipo industrial. Estos podrían dañar la manguera a presión. Muchos detergentes pueden requerir ser mezclados antes de su uso. Prepare la solución de limpieza como se indica en el frasco de la solución.

1. Retire la tapa del cañón de espuma con tubo de succión de detergente de la botella.
2. Llene la botella del cañón de espuma con detergente diseñado específicamente para su uso con mangueras a presión (Fig. 11).



3. Recubre el cañón de espuma, y fíjelo a la lanza de extensión encajándola en el collar Quick-Connect hasta que encaje en su lugar (Fig. 12).

Fig. 12



4. Aplique el detergente desde la parte inferior hasta la superior de la superficie seca a limpiar. Aplicar el detergente de esta manera disolverá la suciedad de forma más eficaz.

NOTA: No se recomienda mojar primero la superficie, ya que diluye el detergente y reduce su capacidad de limpieza.

⚠ ¡PRECAUCIÓN! Pruebe siempre el detergente en una zona poco visible antes de utilizarlo.

6. Deje que el detergente permanezca en la superficie durante un breve periodo de tiempo antes de enjuagar con la manguera a presión. No deje que el detergente se seque en la superficie.

⚠ ¡PRECAUCIÓN! Pueden producirse daños en las superficies pintadas si se deja secar el detergente sobre ellas. Lave y enjuague una pequeña sección a la vez. Evite trabajar sobre superficies calientes o bajo la luz solar directa.

Enjuague con la manguera

1. Apague la lavadora a presión y cierre el suministro de agua.
2. Apriete el disparador para liberar la presión del agua.
3. Enganche el seguro del disparador para bloquearlo (Fig. 9).
4. Retire la botella de detergente con cañón de espuma sujetando la botella mientras tira hacia atrás del collar Quick-Connect.
5. Seleccione la boquilla adecuada para el trabajo:

1) Boquilla rociadora ☞

Esta boquilla crea la zona más amplia de limpieza con una presión relativamente baja. Está pensado para aplicaciones de limpieza ligeras o delicadas, como cubiertas de madera y otras superficies blandas o delicadas.

2) Boquilla Turbo ☞

Esta boquilla gira en un patrón de rociado con movimiento circular de cero a 15 grados para acabar con la suciedad más resistente. Cubre un área de 4 a 8 pulgadas de ancho, dependiendo de la distancia entre la punta y la superficie a limpiar.

6. Empiece por la parte superior de la zona a enjuagar y vaya bajando, asegurándose de solapar sus pasadas anteriores.

⚠ ¡IMPORTANTE! NO UTILIZAR NUNCA:

- Lejía, productos de cloro y otros productos químicos corrosivos
- Líquidos que contienen disolventes (por ejemplo, disolventes de pintura, gasolina, aceites)
- Productos de fosfato trisódico
- Productos de amoníaco
- Productos a base de ácido

Estos productos químicos dañarán la unidad y la superficie de limpieza.

Apagado

1. Ponga el interruptor en la posición OFF (0) y desenchufe el cable de alimentación del tomacorriente.
2. Cierre el suministro de agua.
3. Mantenga el disparador para liberar la presión del agua.
4. Desconecte la manguera de jardín de la entrada de agua de la manguera a presión.
5. Desconecte la manguera de presión de la pistola disparadora.
6. Suelte el disparador y enganche el bloque de seguridad.

⚠ ¡ADVERTENCIA Cierre el suministro de agua y apriete el disparador para despresurizar la unidad. Si no lo hace, podría provocar daños personales debido a la descarga de agua a alta presión.

Tomarse un descanso

Si se toma un descanso de cinco minutos o más entre las tareas de limpieza:

1. Enganche el bloqueo de seguridad de la pistola (Fig. 9).
2. Ponga el interruptor en la posición OFF (0).
3. Desenchufe el cable de alimentación del tomacorriente.

Almacenamiento

⚠ ¡PRECAUCIÓN! Almacene siempre su manguera a presión en un lugar donde la temperatura no sea inferior a 32°F (0°C). La bomba de esta máquina es susceptible de sufrir daños permanentes si se congela. **LOS DAÑOS POR CONGELACIÓN NO ESTÁN CUBIERTOS POR LA GARANTÍA.**

- Almacene la manguera en un lugar seco y cubierto, donde no esté sujeta a condiciones climáticas adversas.
- Es importante almacenar este producto en una zona libre de heladas.
- Vacíe siempre el agua de todas las mangueras, la bomba y el cañón de espuma antes de guardarlos.

⚠️;PRECAUCIÓN! Se recomienda el uso de un protector de bomba para evitar daños por el frío durante el almacenamiento en los meses de invierno.

Almacenamiento durante el invierno y a largo plazo

Si tiene que almacenar su manguera a presión en un lugar donde la temperatura es inferior a 32°F (0°C), puede minimizar la posibilidad de que su máquina se dañe utilizando el siguiente procedimiento:

- Desconecte todas las conexiones de agua.
- Encienda la máquina durante unos segundos hasta que salga el agua restante de la bomba. Apagar inmediatamente.
- No permita que la manguera de alta presión se doble.
- Guarde la máquina y los accesorios en una habitación que no alcance temperaturas de congelación.
- No almacenar cerca de un horno u otras fuentes de calor que puedan secar las juntas de la bomba.
- Utilice la manguera con un anticongelante no corrosivo/no tóxico, un protector de bomba o un protector de bomba antes de guardarla para el invierno.

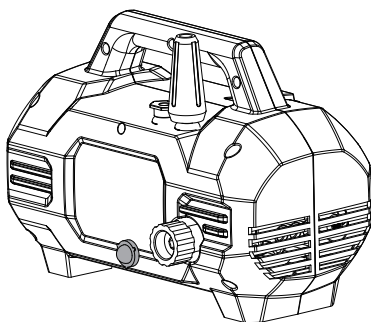
⚠️;ADVERTENCIA! Antes de volver a utilizar la unidad, lávela completamente con agua limpia. Los productos anticongelantes pueden dañar la pintura, por lo que debes asegurarte de que no queda anticongelante en el sistema antes de volver a utilizarlo.

Mantenimiento

⚠️;PRECAUCIÓN! Antes de trabajar en la manguera a presión, desconecte el enchufe del tomacorriente.

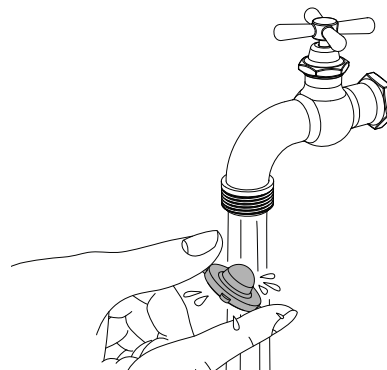
1. Para garantizar un buen rendimiento, compruebe y limpie el filtro de ingreso de agua (Fig. 13).

Fig. 13



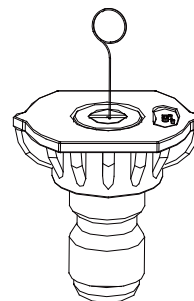
2. Retire el filtro y enjuáguelo con agua tibia para evitar que cualquier materia extraña obstruya la bomba (Fig. 14).

Fig. 14



3. Limpie la boquilla con la herramienta de limpieza de agujas suministrada (Fig.15). Retire la lanza de acero inoxidable de la pistola; elimine la suciedad del orificio de la boquilla y enjuague.

Fig. 15



4. Elimine los residuos adicionales mediante el retrolavado de agua a través de la boquilla y la lanza de extensión. Para ello, coloque el extremo de su manguera de jardín (con el agua corriendo) en la punta de la boquilla, empujando el agua y los residuos fuera de la abertura trasera de la boquilla y la lanza de extensión.

Eliminación

Reciclaje de la manguera

- No elimine los aparatos eléctricos como residuos municipales sin clasificar. Utilice instalaciones de recojo selectivo.
- Póngase en contacto con su agencia gubernamental local para obtener información sobre los sistemas de recojo disponibles.
- Si los aparatos eléctricos se eliminan en vertederos o basureros, las sustancias peligrosas pueden filtrarse a las aguas subterráneas y llegar a la cadena alimentaria, dañando su salud y bienestar.
- Cuando se sustituyen los aparatos antiguos por otros nuevos, el minorista está obligado por ley a recuperar su antiguo aparato para eliminarlo gratuitamente.

Servicio + Soporte

Si su manguera eléctrica a presión Sun Joe® SPX220E-XT requiere servicio o mantenimiento, llame al centro de servicio al cliente de Snow Joe® + Sun Joe® al 1-866-SNOWJOE (1-866-766-9563).

Modelo + números de serie

Cuando se ponga en contacto con la empresa, solicite piezas de repuesto o solicite el servicio de un distribuidor autorizado, deberá proporcionar los números de modelo y de serie, que se encuentran en la calcomanía situada en la carcasa de la unidad. Copie estos números en el espacio que se proporciona a continuación.

Anote los siguientes números de la carcasa o del mango de su nuevo producto:

Número de modelo:

S | P | X | 2 | 0 | E | - | X | T | | | | | | | | | | | | | | | |

Número de serie:

| | | | | | | | | | | | | | | | | | | | | | |


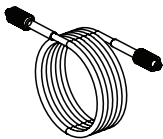



Solución de problemas

- Desconecte el aparato de la red eléctrica antes de realizar el mantenimiento de la máquina o cuando compruebe el buen funcionamiento de sus componentes.
- La manguera debe estar conectada y el agua abierta antes de hacer funcionar su unidad. Si no lo hace, dañará el motor de la bomba y anulará la garantía.
- Sistema de parada total (TSS) - El motor se apagará y permanecerá en modo de espera durante los períodos de inactividad, o tan pronto como la unidad se presurice. ESTO ES NORMAL. Basta con apretar el disparador para volver a poner en marcha el motor de la bomba.
- Para evitar molestias innecesarias, consulte la siguiente tabla antes de ponerse en contacto con el servicio de atención al cliente por cualquier problema mecánico.

Problemas	Posible causa	Posible solución
La máquina se niega a arrancar	<ul style="list-style-type: none"> • Fallo de alimentación/máquina no conectada a una toma de corriente que funcione. • Clavija defectuosa. • El fusible se ha fundido. • Cable de extensión defectuoso. 	<ul style="list-style-type: none"> • Compruebe que la máquina esté conectada a una toma de corriente que funcione. • Compruebe el cable de alimentación y restablezca el GFCI. Pruebe con otra toma de corriente. • Reemplace el fusible. Apague cualquier otra máquina que esté utilizando el mismo circuito. • Pruebe la unidad sin un cable de extensión.
Presión fluctuante	<ul style="list-style-type: none"> • Bomba succionando aire. • Válvulas sucias, desgastadas o atascadas. • Sellos de la bomba desgastados. 	<ul style="list-style-type: none"> • Compruebe que las mangueras y las conexiones sean herméticas. • Limpie o sustituya las válvulas/sellos. • Llame al centro de servicio al cliente de Snow Joe® + Sun Joe® al 1-866-SNOWJOE (1-866-766-9563) para obtener ayuda.
La máquina se detiene	<ul style="list-style-type: none"> • El fusible se ha fundido. • Tensión de red incorrecta. • Boquilla parcialmente bloqueada. 	<ul style="list-style-type: none"> • Reemplace el fusible. Desconecte otras máquinas que utilicen el mismo circuito. • Compruebe que la tensión de red corresponda a la especificada en la etiqueta del modelo. • Limpie la boquilla.
El fusible se quema	<ul style="list-style-type: none"> • Fusible demasiado pequeño. 	<ul style="list-style-type: none"> • Instale un fusible con un amperaje superior al consumo de la máquina. Pruebe la unidad sin un cable de extensión.
La máquina está pulsando	<ul style="list-style-type: none"> • Aire en la manguera de ingreso. • Suministro inadecuado de agua de red. • Boquilla parcialmente bloqueada. • Filtro de agua bloqueado. • Manguera doblada. 	<ul style="list-style-type: none"> • Deje que la máquina funcione manteniendo el disparador hasta que se reanude la presión de trabajo normal. • Compruebe que el suministro de agua corresponda a las especificaciones requeridas. • Limpie la boquilla. • Limpie el filtro de entrada de agua. • Enderece la manguera para eliminar cualquier torcedura u obstrucción.
La máquina suele arrancar y pararse sola	<ul style="list-style-type: none"> • El mecanismo del disparador está roto. 	<ul style="list-style-type: none"> • Llame al centro de servicio al cliente de Snow Joe® + Sun Joe® al 1-866-SNOWJOE (1-866-766-9563) para obtener ayuda.
La máquina arranca, pero no sale agua	<ul style="list-style-type: none"> • Bomba/manguera o accesorios congelados. • No hay suministro de agua. • Filtro de ingreso de agua bloqueado. • Boquilla bloqueada. 	<ul style="list-style-type: none"> • Espere a que se descongelen la bomba/las mangueras o los accesorios. • Conecte el agua de ingreso. • Limpie el filtro de entrada de agua. • Limpie la boquilla.

Accesorios opcionales

⚠ ¡ADVERTENCIA! Utilice SIEMPRE piezas de repuesto y accesorios autorizados de Snow Joe® + Sun Joe®. NUNCA utilice piezas de repuesto o accesorios que no estén pensados para su uso con esta manguera eléctrica. Póngase en contacto con Snow Joe® + Sun Joe® si no está seguro de si es seguro utilizar una pieza de recambio o un accesorio concreto con su manguera a presión. El uso de cualquier otro accesorio puede ser peligroso y podría causar lesiones o daños mecánicos.

Accesorios	Ítem	Modelo
	Juego de puntas rociadoras (compatible con la mayoría de las mangueras a presión de la serie SPX)	SPX-TSN-34S
	Manguera de presión de 6 metros (para la serie de mangueras a presión SPX)	SPX3000-33
	Acoplador universal de conexión rápida de latón macizo (adaptador de manguera de jardín a manguera a presión)	SPX-UQC
	Limpiador concentrado para manguera a presión para todo propósito Sun Joe® para casa + terraza Limpiador + Lavador de autos a presión de espuma Sun Joe® Premium Desengrasante + Limpiadora para manguera a presión de trabajo pesado para todo propósito Sun Joe®	SPX-HDC1G SPX-FCS1G SPX-APC1G
	Paquete de 3 concentrados para manguera a presión	SPX-ASST3Q

¡La línea completa de accesorios y complementos de primera calidad de Sun Joe para mangueras facilita el trabajo sucio y le ayuda a sacar el máximo partido a su modelo!

COMPRAR EN LÍNEA ahora en sunjoe.com

NOTA: Los accesorios están sujetos a cambios sin que Snow Joe® + Sun Joe® tenga la obligación de notificar dichos cambios. Los accesorios pueden pedirse en línea en sunjoe.com o por teléfono llamando al centro de atención al cliente de Snow Joe® + Sun Joe® al 1-866-SNOWJOE (1-866-766-9563).



LA PROMESA DE SNOW JOE® + SUN JOE® AL CLIENTE

POR SOBRE TODO, en Snow Joe, LLC (“Snow Joe”) estamos dedicados a usted, nuestro cliente. Nos esforzamos por hacer que su experiencia sea lo más placentera posible. Desafortunadamente, hay veces en que un producto Snow Joe®, Sun Joe®, o Aqua Joe® (el “Producto”) no funciona o sufre un desperfecto bajo condiciones normales de operación. Creemos que es importante que usted sepa que puede confiar en nosotros. Es por eso que tenemos esta Garantía Limitada (la “Garantía”) para nuestros Productos.

NUESTRA GARANTÍA:

Snow Joe garantiza que sus Productos motorizados y no motorizados, nuevos y genuinos, están libres de defectos materiales o de mano de obra al ser usados en tareas domésticas normales durante un periodo de dos (2) años a partir de la fecha de compra por parte del comprador original y usuario final, cuando este último los compra a través de Snow Joe o un vendedor autorizado por Snow Joe y ha obtenido un comprobante de compra. Ya que Snow Joe no puede controlar la calidad de sus Productos vendidos por vendedores no autorizados, a menos que la ley lo prohíba esta Garantía no cubre Productos adquiridos a través de vendedores no autorizados. Si su Producto no funciona, o hay un problema con una parte específica que está cubierta por los términos de esta Garantía, Snow Joe elegirá entre: (1) enviarle una parte de repuesto gratuita; (2) reemplazar el Producto con uno nuevo o similar sin costo alguno; o (3) reparar el Producto. ¡Un excelente soporte!

Esta Garantía le da derechos legales específicos, y usted puede también tener otros derechos según el Estado.

REGISTRO DEL PRODUCTO:

Snow Joe le recomienda enfáticamente registrar su Producto. Usted puede registrar su Producto en línea visitando snowjoe.com/register, imprimiendo y enviando por correo una tarjeta de registro disponible en línea en nuestro sitio Web, llamando a nuestra central de servicio al cliente al **1-866-SNOWJOE (1-866-766-9563)**, o enviándonos un e-mail a help@snowjoe.com. Si usted no registra su Producto sus derechos de garantía no disminuirán; sin embargo, registrar su Producto permitirá que Snow Joe le pueda atender mejor si usted tiene alguna necesidad como cliente.

¿QUIÉN PUEDE SOLICITAR COBERTURA DE GARANTÍA LIMITADA?

Esta Garantía es otorgada por Snow Joe al comprador original y propietario original del Producto.

¿QUÉ NO ESTÁ CUBIERTO?

Esta Garantía no se aplica si el Producto ha sido usado de forma comercial o en aplicaciones no domésticas o de alquiler. Esta Garantía tampoco se aplica si el Producto fue adquirido desde un vendedor no autorizado. Esta garantía tampoco cubre cambios cosméticos que no afecten el funcionamiento del Producto. Las partes desgastables como correas, brocas y cuchillas no están cubiertas por esta Garantía, y pueden ser compradas visitando snowjoe.com o llamando al **1-866-SNOWJOE (1-866-766-9563)**.



NETTOYEUR HAUTE PRESSION ÉLECTRIQUE 13A

PRESSION MAXIMALE DE 2 100 psi À LA DÉCHARGE INITIALE SELON LES TESTS DE PRESSION INTERNES CSA
DÉBIT MAXIMAL DE 6,17 l/min SANS LA BUSE FIXÉE

MANUEL DE L'OPÉRATEUR

Une division de Snow Joe®, LLC

Modèle SPX220E-XT

Form No. SJ-SPX220E-XT-880F-M-FTY

IMPORTANT ! Instructions de sécurité

Tous les opérateurs doivent lire ces instructions avant d'utiliser ce produit.

⚠️ AVERTISSEMENT ! Ceci indique une situation dangereuse qui, si elle n'est pas évitée, peut entraîner la mort ou des blessures graves.

⚠️ ATTENTION ! Ceci indique une situation dangereuse qui, si elle n'est pas évitée, pourrait entraîner des blessures légères ou modérées.

⚠️ DANGER ! Ceci indique une situation dangereuse qui, si elle n'est pas suivie, entraînera la mort ou des blessures graves.

INSTRUCTIONS IMPORTANTES DE SÉCURITÉ

AVERTISSEMENT – Lors de l'utilisation de ce produit, des précautions de base doivent toujours être suivies, y compris les suivantes :

- Lisez toutes les instructions avant d'utiliser le produit.
- Pour réduire le risque de blessure, une surveillance étroite est nécessaire lorsqu'un produit est utilisé à proximité d'enfants.
- Savoir arrêter le produit et purger rapidement les pressions. Familiarisez-vous parfaitement avec les commandes.
- Restez vigilant(e) - Restez attentif(ve) à ce que vous êtes en train de faire.
- N'utilisez pas le produit lorsque vous êtes fatigué(e) ou sous l'influence de l'alcool ou de drogues.
- Gardez la zone d'opération dégagée de toute personne.
- Ne vous penchez pas trop et ne vous tenez pas debout sur un support instable. Gardez une bonne assise et un bon équilibre à tout moment.
- Suivez les instructions d'entretien spécifiées dans le manuel.

- Ce produit est équipé d'un disjoncteur de fuite à la terre intégré dans la fiche du cordon d'alimentation. Si le remplacement de la fiche ou du cordon est nécessaire, utilisez uniquement des pièces de rechange identiques.
- Avertissement - risque d'injection ou de blessure - ne dirigez pas le flux de décharge vers des personnes.

Sécurité générale

⚠️ AVERTISSEMENT ! Cet appareil n'est pas destiné à être utilisé par des enfants ou par des personnes non assistées et non surveillées dont les capacités physiques, sensorielles ou mentales les empêchent de l'utiliser en toute sécurité. Il convient de surveiller les enfants pour s'assurer qu'ils ne jouent pas avec l'appareil.

Avant de démarrer votre machine, veuillez la vérifier attentivement pour détecter tout défaut. Si un défaut est détecté, ne démarrez pas votre machine. Communiquez avec votre revendeur autorisé Snow Joe® + Sun Joe® ou appelez le centre de service à la clientèle Snow Joe® + Sun Joe® au 1-866-SNOWJOE (1-866-766-9563).

⚠️ AVERTISSEMENT ! Lors de l'utilisation du nettoyeur haute pression, des précautions de sécurité de base doivent toujours être suivies pour réduire le risque d'incendie, de choc électrique et de blessure. Il s'agit notamment des éléments suivants :

- **Apprenez à connaître votre produit** – Sachez comment arrêter la machine et purger la pression rapidement. Familiarisez-vous bien avec les commandes.
- **Éloignez les passants** – Tous les visiteurs et les animaux domestiques doivent être tenus à une distance sécuritaire de la zone de travail.
- **Utilisez le produit correct** – N'utilisez pas cette machine pour un travail autre que celui auquel elle est destinée.
- **Portez des vêtements appropriés** – Ne portez pas de vêtements amples ni de bijoux. Ils pourraient se prendre dans les pièces mobiles. Des gants de protection en caoutchouc et des chaussures antidérapantes sont recommandés lorsque vous travaillez à l'extérieur.
- **⚠️ ATTENTION !** – Faites preuve de prudence pour éviter de glisser ou de tomber. Portez des chaussures de protection qui permettent de protéger vos pieds et avoir de meilleurs appuis sur les sols glissants.
- **Restez vigilant(e)** – Restez attentif(ve) à ce que vous êtes en train de faire. Faites preuve de bon sens. N'utilisez pas

le nettoyeur haute pression lorsque vous êtes fatigué(e) ou sous l'influence de l'alcool ou de drogues.

- **AVERTISSEMENT ! Risque d'injection ou de blessure** – Ne dirigez pas le jet de décharge vers des personnes.
- **Ne vous penchez pas trop** – Restez toujours d'aplomb et gardez constamment un bon équilibre.
- **Évitez les démarrages involontaires** – Ne transportez pas une machine branchée avec votre doigt sur la gâchette. Assurez-vous que l'interrupteur est éteint avant de brancher la machine.
- **Ne maltraitez pas le cordon** – Ne portez jamais la machine par le cordon et ne tirez pas le cordon pour le débrancher de la prise de courant. Gardez le cordon éloigné de la chaleur, de l'huile et des bords tranchants.
- **Utilisez des lunettes de sécurité** – Utilisez également des chaussures de sécurité, des vêtements bien ajustés, des gants de protection, des protections auditives et de la tête.
- **Vérifiez la température de l'eau** – Ce nettoyeur haute pression n'est pas destiné à pomper de l'eau chaude. **Ne le connectez JAMAIS** à une alimentation en eau chaude, car cela réduirait considérablement la durée de vie de la pompe.
- **Entreposez la machine à l'intérieur – NE stockez JAMAIS** le nettoyeur haute pression à l'extérieur ou dans un endroit où il pourrait geler. La pompe pourrait être gravement endommagée.
- **Inspectez les cordons électriques** – L'isolation du cordon d'alimentation doit être parfaitement intacte. Si le cordon d'alimentation est endommagé ou présente des signes d'usure, n'utilisez pas le nettoyeur haute pression. Contactez votre revendeur agréé Snow Joe® + Sun Joe® ou appelez le centre de service à la clientèle Snow Joe® + Sun Joe® au 1-866-SNOWJOE (1-866-766-9563).

AVERTISSEMENT ! N'utilisez pas cet appareil sans avoir lu ce manuel d'instructions.

AVERTISSEMENT ! Cet appareil a été conçu pour être utilisé avec des produits de nettoyage recommandés par le fabricant. L'utilisation d'autres agents de nettoyage ou produits chimiques peut nuire à la sécurité de l'appareil.

AVERTISSEMENT ! N'utilisez pas l'appareil à portée de personnes, sauf si elles portent des vêtements de protection.

AVERTISSEMENT ! Les jets haute pression peuvent être dangereux s'ils sont sujets à une mauvaise utilisation. Le jet ne doit pas être dirigé vers des personnes, des animaux domestiques, des équipements électriques sous tension ou l'appareil lui-même.

- Ne dirigez pas le jet vers vous-même ou vers d'autres personnes afin de nettoyer les vêtements ou les chaussures.
- **Risque d'explosion** – Ne pulvérisez pas de liquides inflammables.
- **Débranchez l'outil** – Débranchez-le de l'alimentation électrique avant d'effectuer toute tâche d'entretien.

- **Éloignez les enfants** – Ce nettoyeur électrique à haute pression ne doit pas être utilisé par des enfants ou du personnel non formé.
- Pour assurer la sécurité de l'appareil, utilisez uniquement des pièces de rechange d'origine du fabricant ou celles approuvées par le fabricant.

ATTENTION ! Pour éviter d'endommager l'appareil, ne le laissez pas fonctionner à sec. Avant de mettre l'appareil en marche, assurez-vous qu'il dispose d'une alimentation en eau adéquate et stable.

AVERTISSEMENT ! L'eau qui a traversé des dispositifs anti-refoulement est considérée comme non potable.

AVERTISSEMENT ! Pendant le nettoyage, l'entretien ou lors du remplacement de pièces, la machine doit être déconnectée de sa source d'alimentation en retirant la fiche de la prise de courant.

AVERTISSEMENT ! Les tuyaux, raccords et coupleurs haute pression sont importants pour le fonctionnement sûr de l'appareil. Utilisez uniquement les tuyaux, raccords et couplages recommandés par le fabricant.

- **Vérifiez s'il y a des pièces endommagées** – N'utilisez pas l'appareil si le cordon d'alimentation ou d'autres pièces importantes de l'appareil sont endommagés (par exemple, les dispositifs de sécurité, les tuyaux haute pression, le pistolet de déclenchement).

AVERTISSEMENT ! Si une rallonge est utilisée, la fiche et la prise doivent être de construction étanche.

AVERTISSEMENT ! Des rallonges électriques inadéquates peuvent être dangereuses.

- Ce nettoyeur électrique à haute pression ne doit pas être utilisé à des températures inférieures à 32°F (0°C).

AVERTISSEMENT ! Les cordons d'alimentation des tambours doivent toujours être complètement déroulés pour éviter que le cordon ne surchauffe.

- Les connexions du cordon d'alimentation doivent être maintenues au sec et hors du sol.
- Si le cordon d'alimentation est endommagé, n'utilisez pas l'appareil. Communiquez avec votre revendeur autorisé Snow Joe® + Sun Joe® ou appelez le centre de service à la clientèle Snow Joe® + Sun Joe® au 1-866-SNOWJOE (1-866-766-9563).
- Gardez la machine sur une surface plane et stable pendant le fonctionnement, la manutention, le transport et le stockage. Un renversement soudain de la machine peut causer des blessures corporelles.
- En cas d'accident ou de panne, éteignez immédiatement la machine. (En cas de contact avec un détergent, rincez abondamment à l'eau propre).

Sécurité électrique

ATTENTION : En cas de problèmes au niveau du RÉSEAU électrique, de courtes chutes de tension peuvent apparaître lors du démarrage de l'appareil. Cela peut, à son tour, influencer d'autres équipements (par exemple, faire clignoter une lampe). Si l'IMPÉDANCE SECTEUR $Z_{max} < 0,335 \text{ OHM}$, de telles perturbations ne sont pas attendues. (Si vous avez besoin d'aide, contactez votre fournisseur local pour de plus amples informations).

AVERTISSEMENT ! Risque de choc électrique

– Avant de mettre votre machine en marche, vérifiez soigneusement qu'elle ne présente aucun défaut. Si un défaut est détecté, ne démarrez pas votre machine et contactez votre distributeur.


Lors du raccordement du nettoyeur électrique haute pression à l'alimentation électrique, il convient de respecter les points suivants :

- Le raccordement à l'alimentation électrique doit être effectué par une personne qualifiée.
- L'alimentation électrique de cet appareil doit comporter soit un dispositif à courant résiduel qui interrompt l'alimentation si le courant de fuite à la terre dépasse 30 mA pendant 30 ms, soit un dispositif qui interrompt le circuit de terre (GFCI).

IMPORTANT : N'utilisez que de l'eau sans aucune impureté. S'il existe un risque d'écoulement de sable dans l'eau d'arrivée (par exemple, à partir de votre propre puits), un filtre supplémentaire doit être installé.

Dispositifs de sécurité

La valve de décharge peut réduire la pression si elle dépasse les valeurs prédéfinies. Le pistolet de pulvérisation dispose d'un dispositif de verrouillage. Lorsque le verrouillage est activé, le pistolet de pulvérisation ne peut pas être utilisé.

- 1. Capteur thermique** – Un capteur thermique protège le moteur contre la surcharge. La machine redémarre après quelques minutes lorsque le capteur thermique a refroidi.
- 2. Double isolation** - Dans un appareil à double isolation, deux systèmes d'isolation sont prévus au lieu d'une mise à la terre. Aucun moyen de mise à la terre n'est prévu sur un appareil à double isolation, et aucun moyen de mise à la terre ne doit être ajouté à l'appareil. L'entretien d'un appareil à double isolation exige un soin extrême et une connaissance du système, et ne doit être effectué que par un personnel d'entretien qualifié chez un concessionnaire Snow Joe® + Sun Joe® agréé. Les pièces de rechange pour un appareil à double isolation doivent être identiques aux pièces qu'elles remplacent. Un appareil à double isolation porte la mention « Double isolation » ou « Doublement isolé ». Le symbole  (carré à l'intérieur d'un carré) peut également figurer sur l'appareil.
- 3. Protection par disjoncteur de fuite à la terre (GFCI)** - Ce produit est équipé d'un disjoncteur de fuite à la terre intégré à la fiche du cordon d'alimentation. Ce dispositif offre une protection supplémentaire contre le risque de

choc électrique. Si le remplacement de la fiche ou du cordon est nécessaire, utilisez uniquement des pièces de rechange identiques qui incluent une protection GFCI.

- 4.** Il n'est pas recommandé d'utiliser une rallonge électrique avec ce nettoyeur haute pression. L'unité est livrée en standard avec un cordon d'alimentation GFCI de 35 pieds. L'utilisation d'une rallonge peut provoquer une chute de tension et entraîner une perte de puissance et une surchauffe.

N'utilisez que des rallonges conçues pour une utilisation en extérieur. Ces rallonges sont identifiées par la mention « Acceptable pour une utilisation avec un appareil extérieur rangez-les à l'intérieur lorsqu'elles ne sont pas utilisées ». N'utilisez que des rallonges dont la puissance électrique n'est pas inférieure à celle de l'appareil. N'utilisez pas de rallonges endommagées. Examinez la rallonge avant de l'utiliser et remplacez-la si elle est endommagée. Ne maltraitez pas la rallonge électrique et ne tirez sur pas sur la rallonge pour la débrancher. Maintenez le cordon à l'écart de la chaleur et des bords tranchants. Débranchez toujours la rallonge de la prise avant de débrancher le produit de la rallonge.

- 5.** Pour réduire le risque de choc électrique, cet appareil est pourvu d'une fiche polarisée (l'une des broches est plus large que l'autre). La fiche de l'appareil ne peut être insérée dans une prise polarisée que dans un sens.

Si la prise ne s'insère pas complètement dans la prise secteur, inversez la prise. Si la fiche ne s'adapte toujours pas, vérifiez que vous utilisez la bonne prise murale polarisée. Si la fiche ne s'adapte toujours pas, contactez un électricien qualifié pour installer la prise murale appropriée. Ne modifiez en aucun cas la fiche de l'appareil, la prise du cordon d'alimentation ou la fiche du cordon d'alimentation.

AVERTISSEMENT

Un choc électrique peut causer des BLESSURES GRAVES ou la MORT. Tenez compte de ces avertissements :

- Ne laissez aucune partie du nettoyeur haute pression électrique entrer en contact avec de l'eau lorsqu'il est en marche. Si l'appareil est mouillé alors qu'il est éteint, essuyez-le avant de le mettre en marche.
- N'utilisez pas de rallonge électrique de plus de 25 pieds. Le nettoyeur haute pression est équipé d'un cordon d'alimentation de 35 pieds. La longueur combinée du cordon ne doit pas dépasser 60 pieds. Toute rallonge doit être de calibre 14 (ou plus lourde) pour alimenter en toute sécurité le nettoyeur haute pression.
- Ne touchez pas l'appareil ou sa fiche avec des mains mouillées ou en étant debout dans l'eau. Le port de bottes en caoutchouc offre une certaine protection.

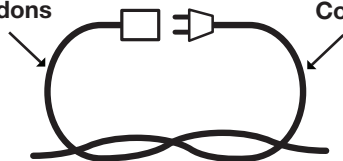
TABLEAU DES RALLONGES ÉLECTRIQUES

Longueur du cordon :	25 pieds (7,6 m)
Min. Jauge de fil (A.W.G.) :	14

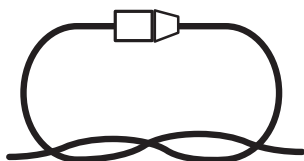
6. Pour éviter que le cordon d'alimentation de l'appareil ne se débranche lors de l'utilisation de la rallonge électrique, faites un nœud avec les deux cordons, comme illustré dans le tableau 1.

Tableau 1 Méthode de fixation de la rallonge électrique

Jeu de cordons Cordon de l'appareil



(A) Attacher le cordon comme illustré



(B) Raccordement de la fiche et de la prise

7. Prenez soin du cordon d'alimentation. Ne tirez jamais le nettoyeur haute pression par le cordon et ne tirez jamais sur le cordon pour le débrancher de la prise de courant. Gardez le cordon à l'écart de la chaleur, de l'huile et des bords tranchants.

Risque d'électrocution !

- Inspectez le cordon avant de l'utiliser.
- N'utilisez pas le cordon s'il est endommagé.
- Gardez toutes les connexions au sec et hors du sol.
- Ne touchez pas la fiche avec des mains mouillées.
- Gardez le cordon loin de la chaleur et des bords tranchants.
- Ne pulvérisez pas l'appareil électrique ni le cordon.

Risque d'explosion

- Ne vaporisez pas de liquides inflammables.
- N'utilisez pas d'acides, de bases, de solvants ou toute autre substance inflammable dans ce produit. Ces substances peuvent causer des blessures physiques à l'opérateur et des dommages irréversibles à la machine.

Instructions de sécurité supplémentaires

- Haute pression : ne vous approchez pas de la buse.
- Risque d'injection : l'équipement peut provoquer des blessures graves si le jet pénètre la peau.
- Ne dirigez pas le pistolet sur quelqu'un ou sur une partie du corps.
- En cas de pénétration cutanée, consultez immédiatement un médecin.
- Avant de procéder à l'entretien, au nettoyage ou au démontage d'une pièce, couper l'alimentation et relâcher la pression.
- Cette machine ne peut pas être raccordée au réseau d'eau potable.

Description du produit

Objectif














- Ce nettoyeur électrique haute pression est destiné à un usage résidentiel pour nettoyer les véhicules, les machines, les bâtiments, les façades, etc.

Domaines d'application

- N'utilisez en aucun cas la machine dans des zones potentiellement explosives !
- La température de fonctionnement doit être comprise entre 32°F (0°C) et 104°F (40°C).
- La machine se compose d'une pompe, qui est enfermée dans un boîtier absorbant les chocs. Pour offrir à l'opérateur une position de travail optimale, la machine est équipée d'une lance en acier inoxydable et d'une poignée antidérapante, dont la forme et la configuration sont conformes à la réglementation en vigueur.
- Ne couvrez ni ne modifiez la lance en acier inoxydable ou les buses de pulvérisation de quelque manière que ce soit.
- Le nettoyeur électrique haute pression est conçu pour être utilisé avec de l'eau froide ou tiède ; des températures plus élevées peuvent endommager la pompe.
- N'utilisez pas d'eau sale, granuleuse ou contenant des produits chimiques, car ceux-ci pourraient nuire au fonctionnement et réduire la durée de vie de la machine.

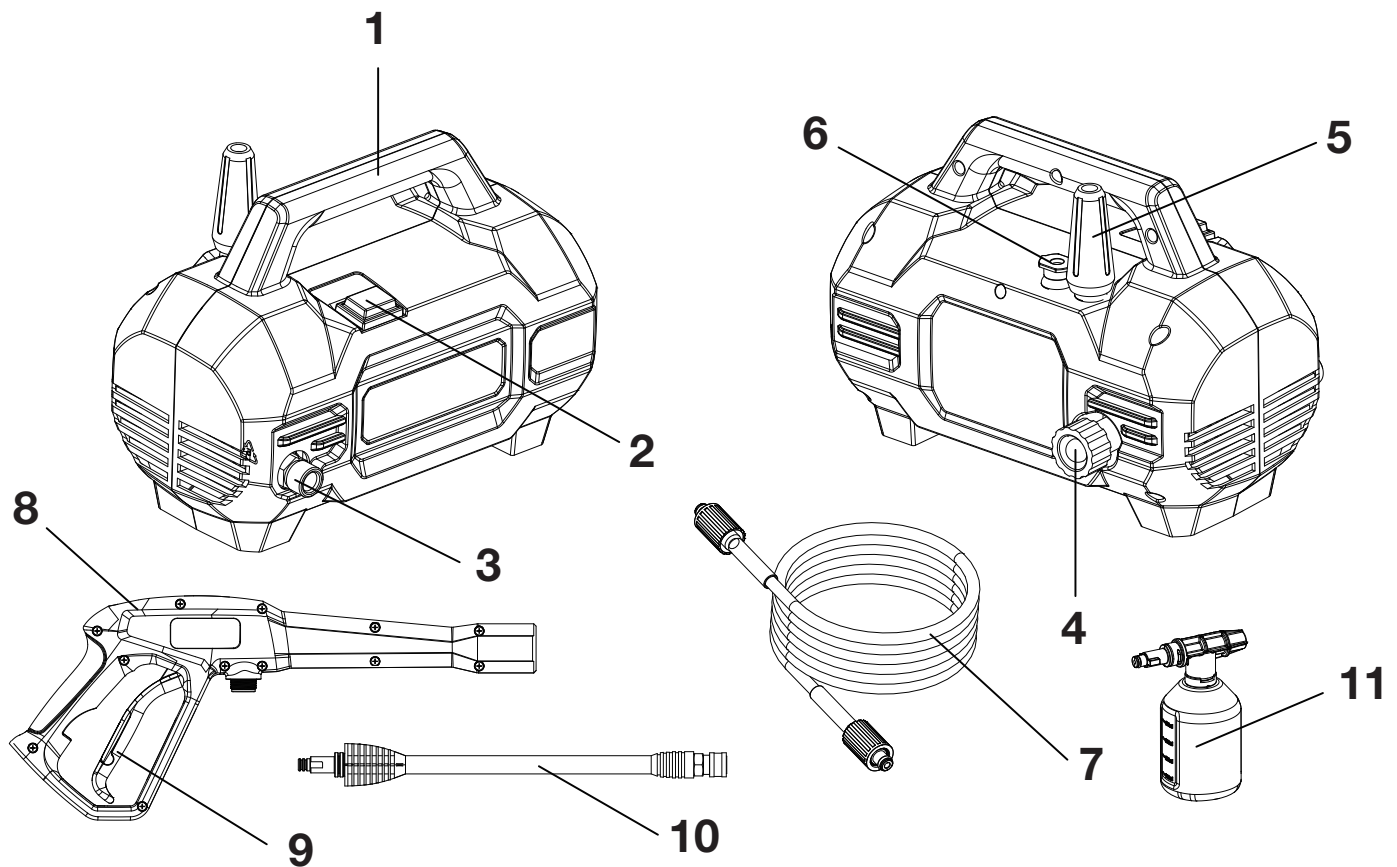
Symboles de sécurité

Le tableau suivant présente et décrit les symboles de sécurité qui peuvent apparaître sur ce produit. Lisez, comprenez et suivez toutes les instructions sur la machine avant de tenter de l'assembler et de l'utiliser.

Symboles	Descriptions	Symboles	Descriptions
	LISEZ LE(S) MANUEL(S) DE L'UTILISATEUR - Lisez, comprenez et suivez toutes les instructions du ou des manuels de l'utilisateur avant d'essayer de les assembler et de les utiliser.		AVERTISSEMENT ! Danger de choc électrique.
	ALERTE DE SÉCURITÉ - Indique une précaution, un avertissement ou un danger.		AVERTISSEMENT! N'exposez pas l'appareil à la pluie ou à des conditions humides. Gardez-le au sec.
	PORTEZ UNE PROTECTION OCULAIRE ET AUDITIVE - Pour vous protéger contre les blessures, portez des protections auditives et des lunettes de sécurité.		Pour réduire le risque de blessure, l'utilisateur doit garder tous les passants à au moins 49 pieds (15 m) de distance.
	Portez des gants de sécurité pendant l'utilisation pour protéger vos mains.		Portez des chaussures antidérapantes qui protègent vos pieds et vous permettent de mieux vous tenir sur les surfaces glissantes.
	Rangez l'appareil en intérieur. Ne rangez jamais le nettoyeur haute pression à l'extérieur. Si la pompe gèle, des dommages permanents peuvent en résulter.		La machine ne convient pas au raccordement au réseau d'eau potable.
	Gardez toujours le cordon d'alimentation à l'écart des sources de chaleur, des huiles ou des bords tranchants. Retirez immédiatement la fiche du secteur si le cordon est endommagé, effiloché ou emmêlé.		AVERTISSEMENT! Mettez la machine hors tension et débranchez-la de l'alimentation électrique avant d'inspecter, de nettoyer, de changer les accessoires ou d'effectuer toute autre tâche d'entretien.
	Double isolation - Lors de l'entretien, n'utilisez que des pièces de rechange identiques.		

Apprenez à connaître votre nettoyeur haute pression électrique

Lisez attentivement le manuel du propriétaire et les consignes de sécurité avant d'utiliser le nettoyeur haute pression électrique. Comparez l'illustration ci-dessous au nettoyeur haute pression électrique afin de vous familiariser avec l'emplacement des différentes commandes et réglages. Conservez ce manuel pour vous y référer ultérieurement.



1. Poignée
2. Interrupteur marche / arrêt
3. Sortie d'eau
4. Entrée d'eau
5. Buse turbo
6. Buse de pulvérisation (jaune 15°)

7. Tuyau de pression
8. Pistolet à gâchette
9. Gâchette
10. Lance d'extension
11. Bouteille de détergent avec canon à mousse

Données techniques

Tension nominale	120 V ~ 60 Hz
Moteur	13 ampères
Température maximale d'entrée d'eau	60 °C
Pression maximale d'entrée d'eau	0,7 MPa
Pression maximale à la décharge initiale	2 100 PSI selon les essais de pression interne CSA
Pression nominale sous une charge typique	1 700 PSI
Débit maximal sans la buse attachée	6,17 l/min
Débit nominal sous charge type	4,5 l/min
Longueur du tuyau haute pression	6 m
Capacité de la bouteille du canon à mousse	450 ml
Longueur du cordon d'alimentation	10,7 m (protégé par un disjoncteur de fuite à la terre)
Poids net	6,6 kg

Déballage

Contenu de l'emballage

- Nettoyeur à pression électrique
- Tuyau à pression
- Pistolet à gâchette
- Lance d'extension
- Buse turbo
- Buse de pulvérisation
- Bouteille de détergent avec canon à mousse
- Outil de nettoyage à aiguille
- Manuel avec carte d'enregistrement

1. Déployez soigneusement le nettoyeur haute pression et vérifiez que tous les éléments ci-dessus sont fournis.
2. Inspectez soigneusement le produit pour vous assurer qu'aucun bris ou dommage ne s'est produit pendant l'expédition. Si vous trouvez des pièces endommagées ou manquantes, NE renvoyez PAS l'appareil au magasin. Veuillez appeler le centre de service à la clientèle Snow Joe® + Sun Joe® au 1-866-SNOWJOE (1-866-766-9563).

REMARQUE : Ne jetez pas le carton d'expédition et les matériaux d'emballage avant d'être prêt à utiliser votre nouveau nettoyeur haute pression électrique. L'emballage est composé de matériaux recyclables. Éliminez correctement ces matériaux conformément aux réglementations locales.

IMPORTANT ! L'équipement et les matériaux d'emballage ne sont pas des jouets. Ne laissez pas les enfants jouer avec les sacs en plastique, les feuilles d'aluminium ou les petites pièces. Ces articles peuvent être avalés et présentent un risque de suffocation !.

Assemblage

1. Positionnez le nettoyeur aussi près que possible de l'alimentation en eau.
2. Le nettoyeur doit être utilisé sur une surface sûre et stable, en position verticale (Fig. 1).

Fig. 1



3. Connectez une extrémité du tuyau de pression au pistolet à gâchette. Connectez l'autre extrémité à la sortie d'eau du nettoyeur et renforcez la connexion par le manchon (Fig. 2-3).

Fig. 2

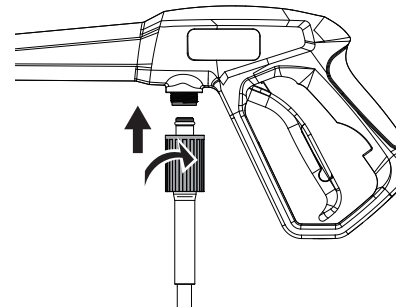
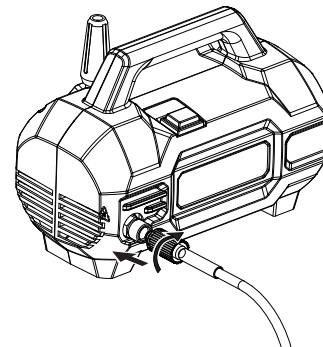
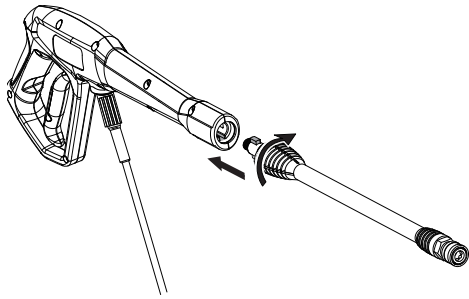


Fig. 3



4. Insérez les ergots de verrouillage de la lance d'extension dans le pistolet à gâchette. Tournez jusqu'à ce qu'elle s'engage (Fig. 4).

Fig. 4



5. Connectez une extrémité du tuyau d'arrosage à l'entrée d'eau du nettoyeur et connectez l'autre extrémité à l'alimentation en eau (Fig. 5-6).

⚠ AVERTISSEMENT ! La machine ne convient pas au raccordement au réseau d'eau potable.

Fig. 5

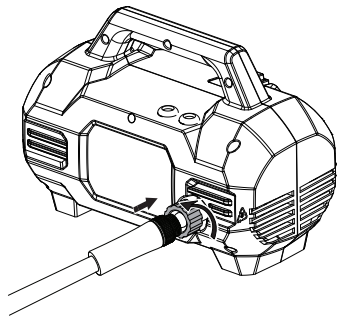
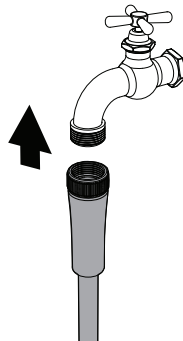


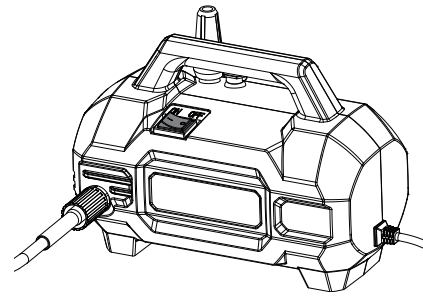
Fig. 6



⚠ AVERTISSEMENT ! Gardez le tuyau à l'écart des objets pointus. L'éclatement des tuyaux peut causer des blessures. Examinez régulièrement les tuyaux et remplacez-les s'ils sont endommagés. N'essayez pas de réparer un tuyau endommagé.

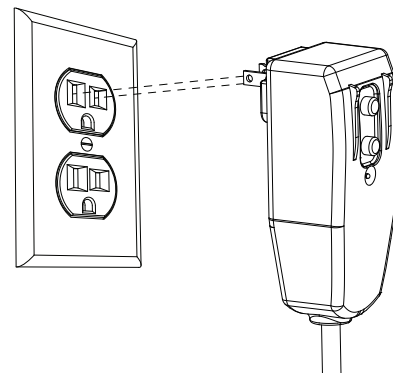
6. Assurez-vous que l'interrupteur est en position OFF (Arrêt) avant de brancher l'appareil sur la prise de courant (Fig. 7).

Fig. 7



7. Connectez le nettoyeur haute pression à l'alimentation électrique correspondant à la « SPÉCIFICATION » de ce manuel. Appuyez sur le bouton de réinitialisation de la fiche du disjoncteur de fuite à la terre jusqu'à ce que l'indicateur s'allume pour vous assurer que le nettoyeur est prêt à fonctionner (Fig. 8).

Fig. 8



REMARQUE : Il se peut que le disjoncteur de fuite à la terre doive être réinitialisé lors du premier branchement à la prise électrique. Appuyez sur le bouton « Reset » (Réinitialisation) jusqu'à ce que le voyant d'alimentation du disjoncteur de fuite à la terre s'allume.

Fonctionnement

⚠ IMPORTANT! Ce nettoyeur haute pression est équipé d'un micro-interrupteur sensible au débit d'eau. Ce système d'arrêt total (TSS) détecte le débit d'eau dans la pompe. Lorsque la gâchette est relâchée, l'eau cesse de circuler dans la pompe. Le TSS éteint ensuite automatiquement le moteur pour protéger la pompe de la surchauffe, ce qui permet d'économiser de l'énergie et de prolonger la durée de vie de la pompe.

1. Ouvrez complètement le robinet d'alimentation en eau.
2. Assurez-vous que le verrouillage de sécurité n'est pas

engagé, puis appuyez sur la gâchette pendant quelques secondes jusqu'à ce que le débit d'eau soit régulier. Cela permettra à l'air de s'échapper et de décharger toute pression résiduelle dans le tuyau.

3. Appuyez sur l'interrupteur ON/OFF (Marche / Arrêt) pour mettre le nettoyeur haute pression en marche.

Utilisation des buses

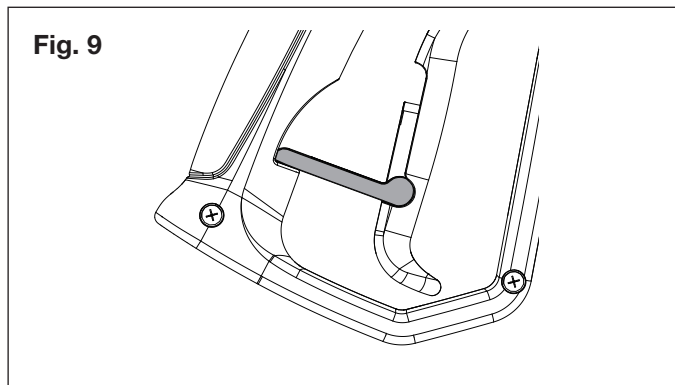
Chaque buse a un modèle de pulvérisation différent. Déterminez la meilleure buse en fonction de la tâche de nettoyage à effectuer. Ce nettoyeur haute pression électrique est équipé de deux (2) buses qui s'enclenchent facilement sur le collier de raccordement rapide de la lance en acier inoxydable.

⚠ ATTENTION! Ne changez JAMAIS les buses sans verrouiller le verrou de sécurité sur la poignée de la gâchette.

⚠ AVERTISSEMENT ! Les jets à haute pression peuvent être dangereux s'ils sont sujets à une mauvaise utilisation. Le jet ne doit pas être dirigé vers des personnes, des animaux domestiques, des équipements électriques sous tension ou l'appareil lui-même.

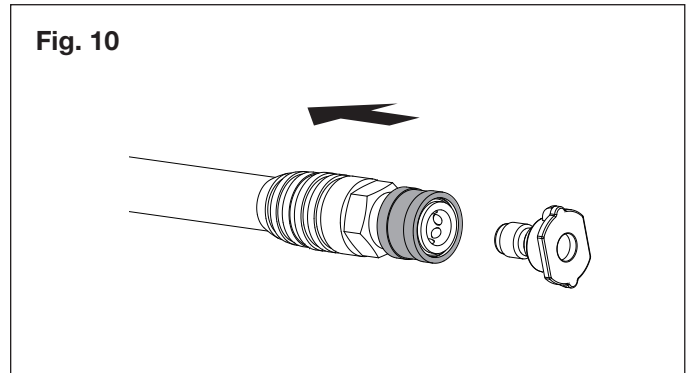
Pour connecter une buse à la lance d'extension :

1. Éteignez le nettoyeur haute pression et coupez l'alimentation en eau. Appuyez sur la gâchette pour relâcher la pression de l'eau.
2. Enclenchez le verrou de sécurité de la gâchette pour éviter un démarrage involontaire (Fig. 9).



3. Tirez le collier vers l'arrière et insérez une buse souhaitée. Relâchez le collier pour verrouiller la buse en place (Fig. 10).

Fig. 10



Pour déconnecter une buse de la lance d'extension une fois le nettoyage terminé :

4. Éteignez le nettoyeur haute pression et coupez l'alimentation en eau. Appuyez sur la gâchette pour relâcher la pression de l'eau.
5. Enclenchez le verrou de sécurité de la gâchette pour la verrouiller.
6. Retirez la buse en plaçant votre main sur la buse tout en tirant sur le collier de raccordement rapide.

⚠ AVERTISSEMENT ! Ne modifiez pas la buse lorsque la gâchette est engagée. Cela pourrait endommager le nettoyeur haute pression ou blesser l'utilisateur.

Utilisation de détergents

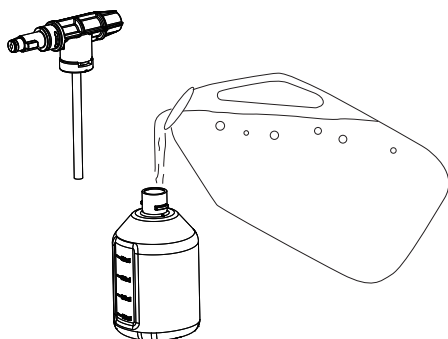
Lors du nettoyage avec le nettoyeur haute pression, certaines tâches de nettoyage peuvent être résolues avec de l'eau seule, mais pour la plupart des tâches, le nettoyage avec un détergent permet une élimination plus efficace de la saleté.

Pour une puissance de nettoyage supplémentaire, l'appareil est équipé d'un flacon pulvérisateur de détergent avec un canon à mousse.

⚠ AVERTISSEMENT ! N'utilisez que des détergents spécialement conçus pour être utilisés avec les nettoyeurs haute pression, tels que le NETTOYANT MAISON + TERRASSE Sun Joe® (SPX-HDC1G), le LAVE-AUTO A MOUSSE NEIGEUSE Sun Joe® (SPX-FCS1G) ou LE NETTOYANT TOUT USAGE Sun Joe® (SPX-APC1G). **N'UTILISEZ PAS** de détergents ménagers, d'acides, de solutions alcalines, d'agents de blanchiment, de solvants, de matières inflammables ou de solutions de qualité industrielle. Ces produits pourraient endommager le nettoyeur haute pression. Il peut être nécessaire de mélanger de nombreux détergents avant de les utiliser. Préparez la solution de nettoyage comme indiqué sur le flacon de solution.

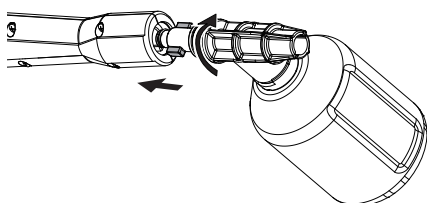
1. Retirez le bouchon du canon en mousse avec le tube d'aspiration du détergent de la bouteille.
2. Remplissez le flacon du canon à mousse avec un détergent spécialement conçu pour être utilisé avec les nettoyeurs haute pression (Fig. 11).

Fig. 11



3. Rebouchez le canon à mousse et fixez-le à la lance extension en l'enclenchant sur le collier à connexion rapide jusqu'à ce qu'il s'enclenche (Fig. 12).

Fig.12



4. Appliquez le détergent du bas vers le haut de la surface sèche à nettoyer. L'application de détergent de cette manière dissoudra la saleté le plus efficacement possible.

REMARQUE : Il n'est pas recommandé de mouiller d'abord la surface car cela dilue le détergent et réduit la capacité de nettoyage.

⚠ ATTENTION ! Testez toujours le détergent dans un endroit peu visible avant de l'utiliser.

6. Laissez le détergent rester à la surface pendant une courte période avant de rincer avec le nettoyeur haute pression. Ne laissez pas le détergent sécher à la surface.

⚠ ATTENTION ! Les surfaces peintes peuvent être endommagées si on laisse sécher le détergent. Lavez et rincez une petite section à la fois. Évitez de travailler sur des surfaces chaudes ou à la lumière directe du soleil.

Rinçage avec le nettoyeur haute pression

1. Éteignez le nettoyeur haute pression et coupez l'alimentation en eau.
2. Appuyez sur la gâchette pour relâcher la pression de l'eau.
3. Enclenchez le verrou de sécurité sur la gâchette pour la verrouiller (Fig. 9).

4. Retirez le flacon de détergent avec le canon à mousse en tenant la bouteille tout en tirant sur le collier de connexion rapide.

5. Sélectionnez la buse adaptée à la tâche :

1) Buse de pulvérisation - Cette buse

crée la zone de nettoyage la plus large avec une pression relativement faible. Il est destiné aux applications de nettoyage légères ou délicates telles que les terrasses en bois et autres surfaces douces ou délicates.

2) Buse turbo - Cette buse

effectue un mouvement circulaire de zéro à 15 degrés pour éliminer la saleté et la crasse. Elle couvre une zone de 4 à 8 pouces de large, selon la distance entre la buse et la surface à nettoyer.

6. Commencez par le haut de la zone à rincer et descendez en vous assurant de chevaucher vos jets.

⚠ IMPORTANT! NE JAMAIS UTILISER :

- De l'eau de Javel, produits chlorés et autres produits chimiques corrosifs.
- Des liquides contenant des solvants (par exemple, diluants pour peinture, essence, huiles)
- Des produits à base de phosphate trisodique
- Des produits à base d'ammoniaque
- Des produits à base d'acide

Ces produits chimiques endommagent l'appareil et la surface de nettoyage.

Arrêt de l'appareil

1. Mettez l'interrupteur sur la position OFF (Arrêt) (0) et débranchez le cordon d'alimentation de la prise de courant.
2. Coupez l'alimentation en eau.
3. Maintenez la gâchette enfoncée pour relâcher la pression de l'eau.
4. Débranchez le tuyau d'arrosage de l'entrée d'eau du nettoyeur.
5. Débranchez le tuyau de pression du pistolet.
6. Relâchez la gâchette et enclenchez le verrou de sécurité.

⚠ AVERTISSEMENT ! Coupez l'alimentation en eau et appuyez sur la gâchette pour dépressuriser l'appareil. Le non-respect de cette consigne peut entraîner des blessures corporelles dues à la décharge d'eau sous haute pression.

Prendre une pause

Si vous faites une pause de cinq minutes ou plus entre deux tâches de nettoyage :

1. Enclenchez le verrou de sécurité du pistolet (Fig. 9).
2. Mettez l'interrupteur sur la position OFF (Arrêt) (0).
3. Débranchez le cordon d'alimentation de la prise de courant.

Entreposage

⚠ ATTENTION! Rangez toujours votre nettoyeur haute pression dans un endroit où la température ne descendra pas en dessous de 32 °F (0 °C). La pompe de cette machine est susceptible d'être endommagée de façon permanente si elle gèle. **LES DOMMAGES CAUSÉS PAR LE GEL NE SONT PAS COUVERTS PAR LA GARANTIE.**

- Rangez le nettoyeur haute pression à l'intérieur dans un endroit sec et couvert où il ne sera pas soumis à des conditions météorologiques défavorables.
- Il est important de conserver ce produit dans un endroit sans gel.
- Videz toujours l'eau de tous les tuyaux, de la pompe et du canon à mousse avant de ranger le produit.

⚠ ATTENTION! L'utilisation d'un protecteur de pompe est recommandée pour prévenir les dommages causés par le froid pendant l'entreposage pendant les mois d'hiver.

Hivernage + stockage à long terme

Si vous devez entreposer votre nettoyeur haute pression dans un endroit où la température tombe en dessous de 32 °F (0 °C), vous pouvez minimiser les risques d'endommagement de votre machine en utilisant la procédure suivante :

- Débranchez tous les raccordements d'eau.
- Mettez la machine en marche pendant quelques secondes jusqu'à ce que l'eau restante dans la pompe s'échappe. Éteignez immédiatement.
- Ne laissez pas le tuyau haute pression se tordre.
- Rangez la machine et les accessoires dans une pièce qui n'atteint pas le point de congélation.
- N'entreposez pas la machine près d'une fournaise ou d'autres sources de chaleur qui pourraient assécher les joints de la pompe.
- Faites fonctionner le nettoyeur haute pression avec un antigel non corrosif / non toxique, un économiseur de pompe ou un protecteur de pompe avant de l'entreposer pour l'hiver.

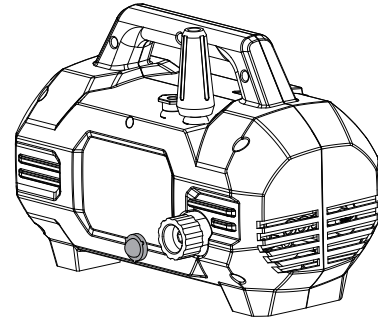
⚠ AVERTISSEMENT ! Avant de réutiliser l'appareil, rincez-le complètement à l'eau propre. Les produits antigel peuvent endommager la peinture, vous devez donc vous assurer qu'il n'y a plus d'antigel dans le système avant de l'utiliser à nouveau.

Entretien

⚠ ATTENTION! Avant de travailler sur le nettoyeur haute pression, débranchez la fiche de la prise d'alimentation électrique.

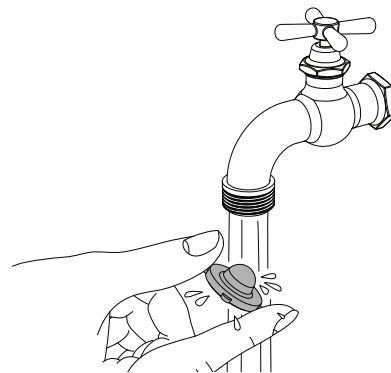
1. Pour garantir de bonnes performances, vérifiez et nettoyez le filtre d'entrée d'eau (Fig. 13).

Fig. 13



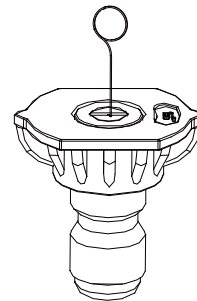
2. Retirez le filtre et rincez-le à l'eau tiède pour éviter que des corps étrangers n'obstruent la pompe (Fig. 14).

Fig. 14



3. Nettoyez la buse avec l'outil de nettoyage à aiguille fourni (Fig. 15). Retirez la lance en acier inoxydable du pistolet ; enlevez toute saleté de l'orifice de la buse et rincez-la.

Fig. 15



4. Éliminez les débris supplémentaires en rinçant l'eau à contre-courant à travers la buse et la lance d'extension . Pour ce faire, placez l'extrémité de votre tuyau d'arrosage (avec de l'eau qui coule) à l'extrémité de la buse, en poussant l'eau et les débris hors de l'ouverture arrière de la buse et de la lance d'extension .

Mise au rebut

Recyclage du nettoyeur

- Ne jetez pas les appareils électriques avec les déchets municipaux non triés. Utilisez des installations de collecte séparée.
- Contactez votre agence gouvernementale locale pour obtenir des informations sur les systèmes de collecte disponibles.
- Si les appareils électriques sont jetés dans des décharges, des substances dangereuses peuvent s'infiltrer dans les eaux souterraines et entrer dans la chaîne alimentaire, ce qui peut nuire à votre santé et à votre bien-être.
- Lors du remplacement d'un ancien appareil par un nouveau, le détaillant est légalement tenu de reprendre gratuitement votre ancien appareil pour le mettre au rebut.

Service + assistance

Si votre nettoyeur haute pression électrique Sun Joe® SPX220E-XT nécessite un entretien ou une réparation, veuillez appeler le centre de service à la clientèle Snow Joe®+ Sun Joe® au 1-866-SNOWJOE (1-866-766-9563).

Modèle + Numéros de série

Pour contacter l'entreprise, commander des pièces ou faire appel à un revendeur agréé, vous devrez fournir les numéros de modèle et de série qui se trouvent sur l'autocollant situé sur le boîtier de l'appareil. Copiez ces numéros dans l'espace prévu ci-dessous.

Relevez les numéros suivants sur le boîtier ou la poignée de votre nouveau produit :												
Modèle :												
S	P	X	2	2	0	E	-	X	T			
Numéro de série :												

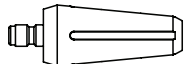
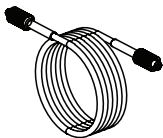


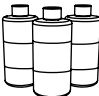
Guide de dépannage

- Débranchez l'appareil de l'alimentation électrique avant d'effectuer l'entretien de la machine ou de vérifier le bon fonctionnement de ses pièces.
- Le tuyau doit être raccordé et l'eau doit être ouverte avant d'utiliser votre appareil. Le non-respect de cette consigne endommagera le moteur de la pompe et annulera votre garantie.
- Système d'arrêt total (TSS) - Le moteur s'arrête et reste en mode veille pendant les périodes d'inactivité ou dès que l'unité est mise sous pression. CELA EST NORMAL. Il suffit d'appuyer sur la gâchette pour redémarrer le moteur de la pompe.
- Pour éviter des tracas inutiles, consultez le tableau suivant avant de contacter le service clientèle pour tout problème mécanique.

Problèmes	Cause possible	Solution possible
La machine refuse de démarrer	<ul style="list-style-type: none"> • Coupure de courant/la machine n'est pas branchée dans une prise de courant qui fonctionne. • Douille défectueuse. • Le fusible a soufflé. • Rallonge électrique défectueuse. 	<ul style="list-style-type: none"> • Vérifiez que la machine est branchée sur une prise de courant qui fonctionne. • Vérifiez le cordon d'alimentation et réinitialisez le disjoncteur de fuite à la terre. Essayez une autre prise. • Remplacez le fusible. Éteignez toutes les autres machines qui utilisent le même circuit. • Essayez l'appareil sans rallonge.
Pression fluctuante	<ul style="list-style-type: none"> • Pompe aspirant de l'air. • Valves sales, usées ou coincées. • Joints de pompe usés. 	<ul style="list-style-type: none"> • Vérifiez l'étanchéité des tuyaux et des connexions. • Nettoyez ou remplacez les valves et les joints. • Veuillez appeler le centre de service à la clientèle Snow Joe® + Sun Joe® au 1-866-SNOWJOE (1-866-766-9563) pour obtenir de l'aide.
La machine s'arrête	<ul style="list-style-type: none"> • Le fusible a soufflé. • Tension secteur incorrecte. • Buse partiellement bloquée. 	<ul style="list-style-type: none"> • Remplacez le fusible. Mettez hors tension les autres machines utilisant le même circuit. • Vérifiez que la tension du réseau correspond à la spécification de l'étiquette du modèle. • Nettoyez la buse.
Le fusible a sauté	<ul style="list-style-type: none"> • Fusible trop petit. 	<ul style="list-style-type: none"> • Installez un fusible dont l'ampérage est supérieur à la consommation de l'appareil. Essayez l'appareil sans rallonge.
La machine pulse	<ul style="list-style-type: none"> • De l'air dans le tuyau d'entrée. • Alimentation en eau insuffisante. • Buse partiellement bloquée. • Filtre à eau bloqué. • Tuyau tordu. 	<ul style="list-style-type: none"> • Laissez la machine fonctionner en maintenant la gâchette enfoncée jusqu'à ce que la pression de travail régulière reprenne. • Vérifiez que l'alimentation en eau correspond aux spécifications requises. • Nettoyez la buse. • Nettoyez le filtre d'entrée d'eau. • Redressez le tuyau pour éliminer les coudes / blocages éventuels.
La machine démarre et s'arrête souvent toute seule	<ul style="list-style-type: none"> • Le mécanisme de déclenchement est cassé. 	<ul style="list-style-type: none"> • Veuillez appeler le centre de service à la clientèle de Snow Joe® + Sun Joe® au 1-866-SNOWJOE (1-866-766-9563) pour obtenir de l'aide.
La machine démarre, mais aucune eau ne sort	<ul style="list-style-type: none"> • Pompe / tuyaux ou accessoires gelés. • Pas d'alimentation en eau. • Filtre d'entrée d'eau bloqué. • Buse bloquée. 	<ul style="list-style-type: none"> • Attendez que la pompe / les tuyaux ou les accessoires dégèlent. • Branchez l'arrivée d'eau. • Nettoyez le filtre d'entrée d'eau. • Nettoyez la buse.

Accessoires optionnels

⚠️ AVERTISSEMENT ! N'utilisez TOUJOURS que des pièces de rechange et des accessoires Snow Joe® + Sun Joe® autorisés. N'utilisez JAMAIS de pièces de rechange ou d'accessoires qui ne sont pas destinés à être utilisés avec ce nettoyeur haute pression électrique. Contactez Snow Joe® + Sun Joe® si vous n'êtes pas sûr(e) d'utiliser une pièce de rechange ou un accessoire particulier avec votre nettoyeur haute pression. L'utilisation de tout autre accessoire ou pièce de rechange peut être dangereuse et pourrait causer des blessures ou des dommages mécaniques.

Accessoires	Élément	Modèle
	Ensemble de buses de pulvérisation (compatible avec la plupart des nettoyeurs haute pression de la série SPX)	SPX-TSN-34S
	Tuyau haute pression de 20 pieds (pour la série de nettoyeurs haute pression SPX)	SPX3000-33
	Coupleur universel à connexion rapide en laiton massif (adaptateur tuyau d'arrosage vers nettoyeur haute pression)	SPX-UQC
	Nettoyant concentré tout usage pour nettoyeur haute pression pour la maison et la terrasse Sun Joe® Lave-auto + nettoyant en mousse neigeuse de qualité supérieure pour nettoyeur haute pression Sun Joe® Nettoyant et dégraissant tout usage pour nettoyeur haute pression à usage intensif Sun Joe®	SPX-HDC1G SPX-FCS1G SPX-APC1G
	Lot de 3 nettoyants concentrés pour nettoyeur haute pression	SPX-ASST3Q

La gamme complète d'accessoires et de pièces jointes de qualité supérieure pour nettoyeurs haute pression Sun Joe facilite l'exécution de vos travaux salissants et vous aide également à tirer le maximum de votre modèle !

MAGASINEZ EN LIGNE maintenant chez sunjoe.com

REMARQUE : Les accessoires peuvent être modifiés sans aucune obligation de la part de Snow Joe® + Sun Joe® de fournir un avis de tels changements. Les accessoires peuvent être commandés en ligne sur sunjoe.com ou par téléphone en communiquant avec le centre de service à la clientèle Snow Joe® + Sun Joe® au 1-866-SNOWJOE (1-866-766-9563).



LA PROMESSE DE SNOW JOE® + SUN JOE® À SES CLIENTS

Vous êtes notre client et Snow Joe, LLC (« Snow Joe ») **SE MET EN QUATRE** pour vous servir. Nous nous efforçons de vous rendre l'utilisation de nos produits aussi plaisante que possible. Malheureusement, il peut arriver qu'un produit Snow Joe®, Sun Joe® ou Aqua Joe (« Produit ») ne fonctionne pas ou se casse dans des conditions d'utilisation normales. Nous pensons qu'il est important que vous sachiez ce que vous pouvez attendre de nous. C'est pourquoi nous avons une garantie limitée (« Garantie ») pour nos Produits.

NOTRE GARANTIE :

Snow Joe déclare et garantit que les Produits neufs, d'origine, électriques ou non électriques sont exempts de vices de matière ou de fabrication et, lorsqu'ils font l'objet d'une utilisation résidentielle et ménagère ordinaire, les garantit pendant une période de deux ans à compter de la date d'achat au détail par l'acheteur primitif auprès de Snow Joe ou d'un des revendeurs agréés de Snow Joe, preuve d'achat à l'appui. Étant donné que Snow Joe ne peut pas contrôler la qualité de ses Produits vendus par des revendeurs non agréés, sauf stipulation contraire de la loi, la présente Garantie ne couvre pas les Produits achetés auprès de vendeurs non agréés. Si votre Produit ne fonctionne pas ou si une pièce spécifique couverte par les modalités de la présente Garantie fait l'objet d'un problème quelconque, Snow Joe choisira (1) de vous envoyer une pièce de rechange gratuite, (2) de remplacer le Produit par un produit neuf ou comparable, gratuitement, ou (3) de réparer le Produit. Génial, n'est-ce pas?

La présente Garantie vous donne des droits judiciaires spécifiques, et vous pouvez également avoir d'autres droits qui peuvent varier d'une province ou d'un territoire à l'autre.

ENREGISTREMENT DU PRODUIT :

Snow Joe vous recommande vivement d'enregistrer votre Produit. Vous pouvez l'enregistrer en ligne sur le site snowjoe.com/register, ou en imprimant et en envoyant par courrier une carte d'enregistrement offerte en ligne sur notre site Web, ou par téléphone en appelant notre Service à la clientèle au **1-866-SNOWJOE (1-866-766-9563)**, ou encore en nous envoyant un courriel à l'adresse help@snowjoe.com. Le fait de ne pas enregistrer l'achat de votre Produit n'a aucune conséquence sur vos droits concernant la garantie. Toutefois, l'enregistrement de votre Produit permettra à Snow Joe de mieux répondre au moindre besoin que vous pourriez avoir en matière de service à la clientèle.

QUI PEUT REVENDIQUER LA COUVERTURE DE LA GARANTIE?

La présente Garantie est étendue par Snow Joe à l'acheteur et propriétaire primitif du Produit.

QU'EST-CE QUI N'EST PAS COUVERT?

La présente Garantie ne s'applique pas si le Produit a été utilisé commercialement, pour des travaux non résidentiels ou s'il fait l'objet d'une location. La présente Garantie ne s'applique pas non plus si le Produit a été acheté auprès d'un revendeur non agréé. La présente garantie ne couvre pas non plus les changements cosmétiques qui n'affectent pas le rendement. Les pièces d'usure comme les courroies, les tarières, les chaînes et les dents ne sont pas couvertes au titre de la présente Garantie et peuvent être achetées en ligne sur le site snowjoe.com ou en appelant le **1-866-SNOWJOE (1-866-766-9563)**.



sunjoe.com