



# 11A ELECTRIC GO ANYWHERE PRESSURE WASHER

## OPERATOR'S MANUAL

A Division of Snow Joe®, LLC

Model SPX3160P-SJG

Form No. SJ-SPX3160P-SJG-880E-M-FTY

## IMPORTANT! Safety Instructions

### All Operators Must Read These Instructions Before Use

**⚠️ WARNING!** This indicates a hazardous situation, which, if not avoided, could result in death or serious injury.

**⚠️ CAUTION!** This indicates a hazardous situation, which, if not avoided, could result in minor or moderate injury.

**⚠️ DANGER!** This indicates a hazardous situation, which, if not avoided, will result in death or serious injury.

## General Safety

**⚠️ WARNING!** This appliance is not intended for use by children or by unassisted, unsupervised persons whose physical, sensory, or mental capabilities prevent them from using it safely. Children should be supervised to ensure that they do not play with the appliance.

Before starting up your machine, please check it carefully for any defects. If you find any, do not start up your machine. Contact your authorized Snow Joe® + Sun Joe® dealer or call the Snow Joe® + Sun Joe® customer service center at 1-866-SNOWJOE (1-866-766-9563).

**⚠️ WARNING!** When using the pressure washer, basic safety precautions should always be followed to reduce the risk of fire, electric shock, and personal injury. These include:

- **Know your product** – Know how to stop the machine and bleed pressure quickly. Thoroughly familiarize yourself with the controls.
- **Keep bystanders away** – All visitors and pets should be kept a safe distance away from the work area.
- **Use the right product** – Do not use this machine for any job except that for which it is intended.
- **Dress properly** – Do not wear loose clothing or jewelry. They can get caught in moving parts. Protective rubber gloves and non-slip footwear are recommended when working outdoors.
- **CAUTION!** – Exercise caution to avoid slipping or falling. Wear protective footwear that will protect your feet and improve your footing on slippery surfaces.

- **Stay alert** – Watch what you are doing. Use common sense. Do not operate the pressure washer when you are tired, or under the influence of alcohol or drugs.
- **Do not overreach** – Keep proper footing and balance at all times.
- **Avoid unintentional starting** – Do not carry a plugged-in machine with your finger on the trigger. Make sure the switch is off before plugging in the machine.
- **Do not abuse the cord** – Never carry the machine by the cord or yank the cord to disconnect it from the receptacle. Keep the cord away from heat, oil, and sharp edges.
- **Use safety glasses** – Also use safety footwear, snug-fitting clothing, protective gloves, and hearing and head protection.
- **Check the water temperature** – This pressure washer is not meant to pump hot water. **NEVER** connect it to a hot water supply as it will significantly reduce the life of the pump.
- **Store indoors** – **NEVER** store the pressure washer outdoors or where it could freeze. The pump could be seriously damaged.
- **Ground Fault Circuit Interrupter (GFCI)** – GFCI protection should be provided on the circuits or outlets to be used for this pressure washer. Receptacles are available having built-in GFCI protection and may be used for this measure of safety.
- **Inspect electrical cables** – The insulation of the power cord should be perfectly intact. If the power cord is damaged or shows any signs of wear or tear, do not use the pressure washer. Contact your authorized Snow Joe® + Sun Joe® dealer or call the Snow Joe® + Sun Joe® customer service center at 1-866-SNOWJOE (1-866-766-9563).

**⚠️ WARNING!** Do not use this appliance without reading this instruction manual.

**⚠️ WARNING!** This appliance has been designed for use with cleaning agents that are recommended by the manufacturer. The use of other cleaning agents or chemicals may adversely affect the safety of the appliance.

**⚠️ WARNING!** Do not use the appliance within range of other people unless they are wearing protective clothing.

**⚠️ WARNING!** High-pressure jets can be dangerous if subject to misuse. The jet must not be directed at persons, pets, live electrical equipment, or the appliance itself.

- Do not direct the jet at yourself or others in order to clean clothes or footwear.

- **Risk of explosion** – Do not spray flammable liquids.
- **Risk of injection or injury to persons** – Never direct discharge stream at people, pets, or electrical devices.
- **Disconnect the tool** – Disconnect from the electrical power supply before performing any maintenance task.
- **Keep children away** – This high-pressure electric power washer must not be used by children or untrained personnel.
- To ensure appliance safety, use only original replacement parts from the manufacturer or those approved by the manufacturer.

**⚠️ WARNING!** Water that has flowed through backflow preventers is considered to be non-potable.

**⚠️ WARNING!** During cleaning, maintenance, or when replacing parts, disconnect the machine from its power source by removing the plug from the socket outlet.

**⚠️ WARNING!** High-pressure hoses, fittings, and couplings are important for the safe operation of the appliance. Use only hoses, fittings, and couplings recommended by the manufacturer.

- **Check for damaged parts** – Do not use the appliance if the supply cord or other important parts of the appliance are damaged (e.g. safety devices, high-pressure hoses, trigger gun).
- This high-pressure electric power washer must not be used at temperatures below 32°F (0°C).

**⚠️ WARNING!** Power cords on drums should always be completely unwound to prevent the cord from overheating.

- Power cord connections should be kept dry and off the ground.
- If the power cord is damaged, do not use the appliance. Contact your authorized Snow Joe® + Sun Joe® dealer or call the Snow Joe® + Sun Joe® customer service center at 1-866-SNOWJOE (1-866-766-9563).
- Keep the machine on a stable, flat surface during operation, handling, transportation, and storage. Sudden overturn of the machine can cause bodily injury.
- In the event of an accident or breakdown, switch off the machine immediately. (If contact with detergent occurs, rinse with an abundance of clean water.)

## Electrical Safety

**ATTENTION:** If there are problems with the electrical MAINS, short voltage drops may appear when starting the equipment. This can, in turn, influence other equipment (e.g. cause a lamp to blink). If the MAINS-IMPEDANCE  $Z_{max} < 0.335 \text{ OHM}$ , such disturbances are not expected. (If you require assistance, contact your local supply authority for further information.)

**⚠️ WARNING!** Electrical Shock Hazard – Before starting up your machine, please check it carefully for any defects. If you find any, do not start up your machine. Contact your authorized Snow Joe® + Sun Joe® dealer or call the Snow Joe® + Sun Joe® customer service center at 1-866-SNOWJOE (1-866-766-9563).


The following should be observed when connecting the high-pressure electric power washer to the electric supply:

- The electric supply connection should be performed by a qualified person.
- The electric supply to this appliance should include either a residual current device that will interrupt the supply if the leakage current to the earth exceeds 30 mA for 30 ms or a device that will interrupt the earth circuit (GFCI).

**IMPORTANT:** Only use water without any impurities.

If there is a risk of running sand into the inlet water (i.e. from your own well), an additional filter should be installed.

## Servicing of Double-Insulated Appliance

In a double-insulated appliance, two systems of insulation are provided instead of grounding. No grounding means is provided on a double-insulated appliance, nor should a means for grounding be added to the appliance. Servicing a double-insulated appliance requires extreme care and knowledge of the system, and should be performed only by qualified service personnel at an authorized Snow Joe® + Sun Joe® dealer. Replacement parts for a double-insulated appliance must be identical to the parts they replace. A double-insulated appliance is marked with the words “Double Insulation” or “Double Insulated.” The symbol  (square within a square) may also be marked on the appliance.

## Safety devices

The unloader valve can reduce pressure if it exceeds preset values. The spray gun features a locking device. When the lock is activated, the spray gun cannot be operated.

1. **Thermal sensor** – A thermal sensor protects the motor against overloading. The machine will restart after a few minutes when the thermal sensor has cooled.

2. **Ground fault circuit interrupter (GFCI) protection** – A GFCI should be provided on the circuit(s) or outlet(s) to be used for this pressure washer. Receptacles are available having built-in GFCI protection and may be used for this measure of safety.
3. It is not recommended to use an extension cord with this pressure washer. The unit comes standard with a 35 ft GFCI power cable. Using an extension cord may cause a drop in line voltage, resulting in loss of power and overheating.

**⚠️ WARNING!** To reduce the risk of electric shock, this appliance has a polarized plug (i.e. one blade is wider than the other). The appliance plug will fit into a polarized outlet only one way.

4. Do not abuse the cord. Never pull the pressure washer by the cord or yank the cord to disconnect it from the receptacle. Keep the cord away from heat, oil, and sharp edges.

**⚠️ WARNING!** To reduce the risk of electrocution, keep all connections dry and off the ground. Do not plug with wet hands.

## Risk of electrocution

- Inspect cord before using.
- Do not use if cord is damaged.
- Keep all connections dry and off the ground.
- Do not touch plug with wet hands.
- Keep cord away from heat and sharp edges.
- Do not spray electrical apparatus and wiring.

## Risk of explosion

- Do not spray flammable liquids.
- Do not use acids, bases, solvents, or any flammable material in this product. These substances can cause physical injuries to the operator and irreversible damage to the machine.

## Additional safety instructions

- High-pressure: keep clear of nozzle.
- Injection hazard: equipment can cause serious injury if the spray penetrates the skin.
- Do not point the gun at anyone or at any part of the body.
- In case of skin penetration, seek medical aid immediately.
- Before servicing, cleaning, or removing any parts, shut off the power and relieve pressure.
- This machine is not suitable for connection to the potable water mains.

# Product Description

## Purpose














- This high-pressure electric power washer is intended for residential use only. It is designed for light-to-medium duty cleaning jobs on boats, motorcycles, RVs, ATVs, trailers, decks, barbecues, siding, patio furniture, and more.

## Areas of application

- Never use the machine in potentially explosive areas under any circumstances!
- The operating temperature must be between 32°F (0°C) and 104°F (40°C).
- The machine consists of an assembly with a pump, which is encased in a shock-absorbing housing. To provide the operator with an optimal working position, the machine is equipped with a spray wand and a non-slip handle grip, whose shape and configuration comply with applicable regulations.
- Do not cover or modify the spray wand or the spray nozzle in any way.
- The high-pressure electric power washer is designed to be used with cold or lukewarm water; higher temperatures can damage the pump.
- Do not use water that is dirty, gritty, or contains any chemical products, as such impurities could impair operation and shorten the life of the machine.

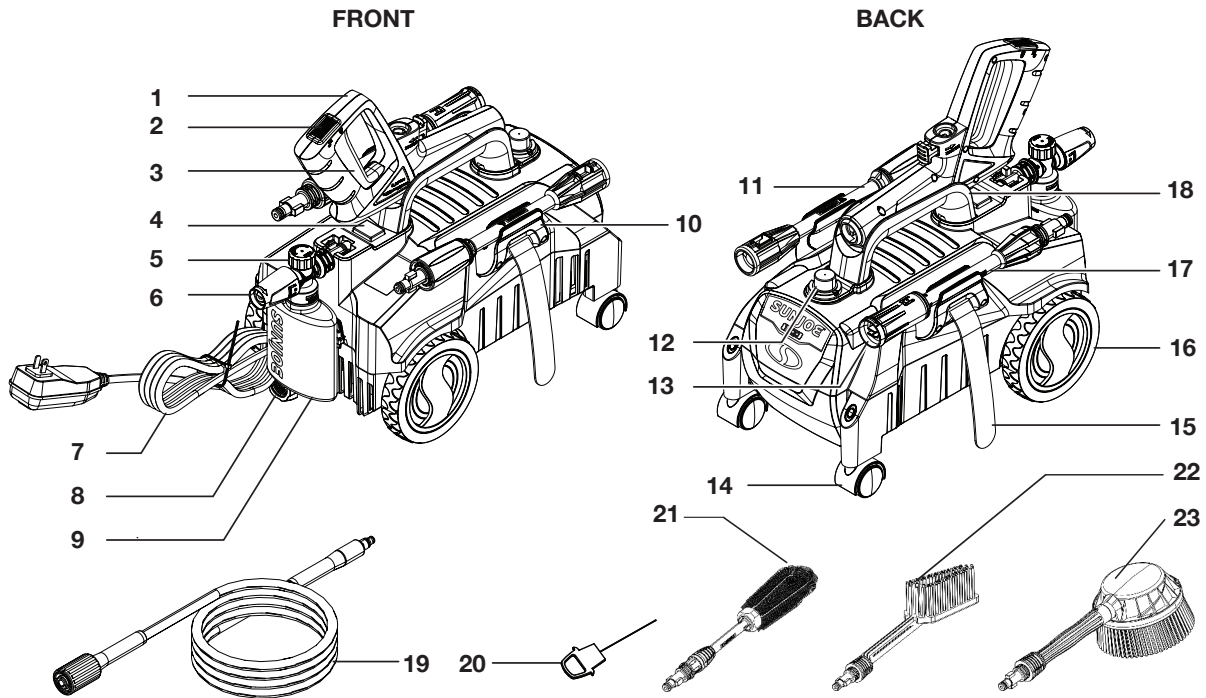
# Safety Symbols

The following table depicts and describes safety symbols that may appear on this product. Read, understand, and follow all instructions on the machine before attempting to assemble and operate.

Symbols	Descriptions	Symbols	Descriptions
	<b>READ THE OPERATOR'S MANUAL(S)</b> – Read, understand, and follow all instructions in the user manual(s) before attempting to assemble and operate.		<b>WARNING!</b> Electrical shock hazard.
	<b>SAFETY ALERT</b> – Indicates a precaution, a warning, or a danger.		<b>WARNING!</b> Do not expose the unit to rain or wet conditions. Keep dry.
	<b>WEAR EYE AND HEARING PROTECTION</b> – For protection against injury, wear ear defenders and safety goggles.		To reduce the risk of injury, user must keep all bystanders at least 49 ft (15 m) away.
	Wear safety gloves during use to protect hands.		Wear non-slip footwear that will protect your feet and improve your footing on slippery surfaces.
	Store indoors. Never store the pressure washer outdoors. If the pump freezes, permanent damage may result.		Machine not suitable for connection to the potable water mains.
	Always keep the power cable away from heat sources, oils, or sharp edges. Immediately remove plug from the mains if the cable is damaged, frayed, or entangled.		<b>WARNING!</b> Turn the machine OFF and disconnect it from the power supply before inspecting, cleaning, changing accessories, or conducting any other maintenance task.
	<b>Double Insulation</b> – When servicing, use only identical replacement parts.		

# Know Your Electric Pressure Washer

Read the owner's manual and safety rules carefully before operating the pressure washer. Compare the illustration below to the pressure washer in order to familiarize yourself with the location of the various controls and adjustments. Save this manual for future reference.



- |                         |  |                           |                       |
|-------------------------|--|---------------------------|-----------------------|
| 1. Trigger gun          | 8. Garden hose adapter<br>(Female coupler) | 14. Caster wheel (2)      | 21. Wheel + rim brush |
| 2. Safety lock          | 9. Foam cannon bottle                      | 15. Velcro band           | 22. Utility brush     |
| 3. Trigger              | 10. Spray wand holder                      | 16. Wheel (2)             | 23. Rotary brush      |
| 4. On/Off switch        | 11. Spray wand assembly                    | 17. Spray wand            |                       |
| 5. Foam-volume knob     | 12. Water outlet                           | 18. Trigger gun holder    |                       |
| 6. Foam spray nozzle    | 13. Adjustable spray wand nozzle           | 19. High-pressure hose    |                       |
| 7. Power cord with GFCI |  | 20. Needle clean-out tool |                       |

## Technical Data

Rated Voltage .....	120V ~ 60 Hz	Foam Cannon Capacity .....	10 fl oz (0.3 L)
Motor .....	11-amp	Rated Pressure .....	1150 PSI
Max Water Inlet Temperature .....	104°F/40°C	Rated Flow .....	1.1 GPM (4.2 L/min)
Max Water Inlet Pressure .....	0.7 MPa	Net Weight .....	11.9 lbs (5.4 kg)
Hose Length .....	20 ft (6 m)		
Power Cord Length .....	35 ft (10.7 m)		
Adjustable Spray Nozzle .....	0° to 45°		

# Unpacking

## Carton Contents

- Electric pressure washer
  - Trigger gun
  - Caster wheel (2)
  - Wheel (2)
  - Spray wand
  - Spray wand assembly
  - Foam cannon
  - High-pressure hose
  - Garden hose adapter (female coupler)
  - Needle clean-out tool
  - Manual with registration card
1. Carefully remove the pressure washer and check to see that all of the above items are supplied.
  2. Inspect the product carefully to make sure no breakage or damage occurred during shipping. If you find damaged or missing parts, DO NOT return the unit to the store. Please call the Snow Joe® + Sun Joe® customer service center at 1-866-SNOWJOE (1-866-766-9563).

**NOTE:** Do not discard the shipping carton and packaging materials until you are ready to use your new electric pressure washer. The packaging is made of recyclable materials. Properly dispose of these materials in accordance with local regulations.

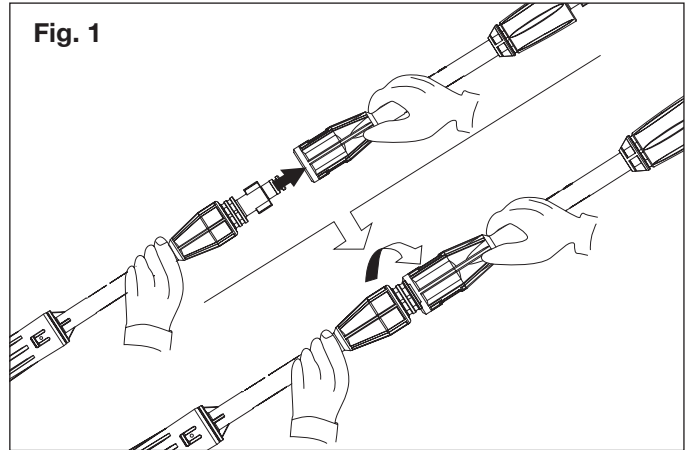
**IMPORTANT!** The equipment and packaging materials are not toys. Do not let children play with plastic bags, foils, or small parts. These items can be swallowed and pose a suffocation risk!

**⚠ WARNING!** Do not connect to power supply until assembly is complete. Failure to comply could result in accidental starting and possible serious personal injury.

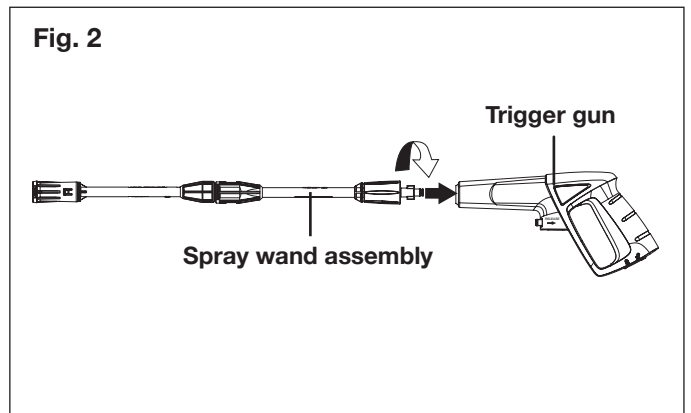
# Assembly

## Spray Gun Assembly

1. Fit the two pieces of the spray wand assembly together and rotate until they are completely locked (Fig. 1).

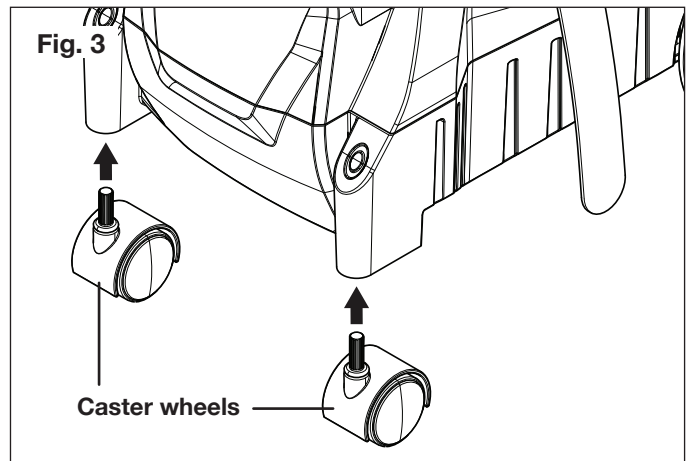


2. Fit the spray wand assembly into the gun and turn the rotatable end-piece of the wand until the two parts are completely locked (Fig. 2).

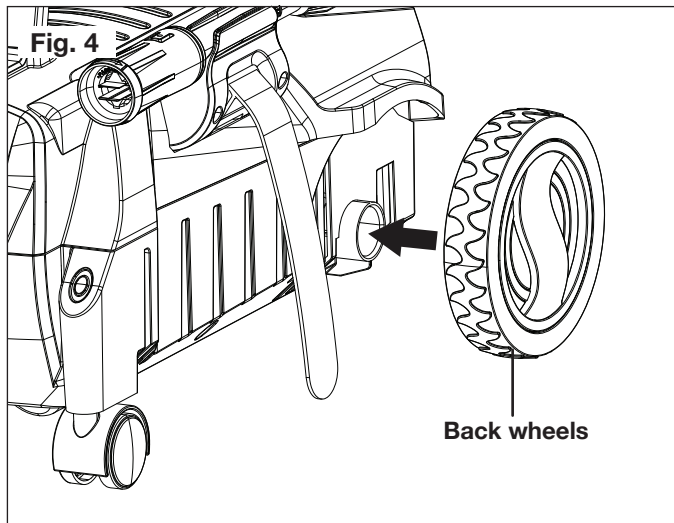


## Installing Wheels

1. Install the caster wheels onto the front of the pressure washer by inserting them into the two holes on the bottom of the housing (Fig. 3). Press wheels down firmly to secure.

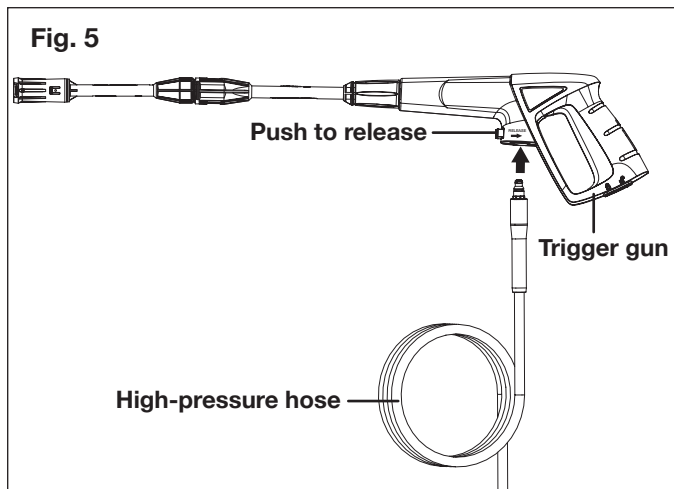


2. Insert the larger back wheels into the two holes on either side of the pressure washer housing (Fig. 4).



## Connect the Spray Gun to the Pressure Washer

1. Connect the quick-connect end of the high-pressure hose to the trigger gun (Fig. 5). You will hear a click when it snaps into place. To release the high-pressure hose from the trigger gun, push the release button on the trigger gun.

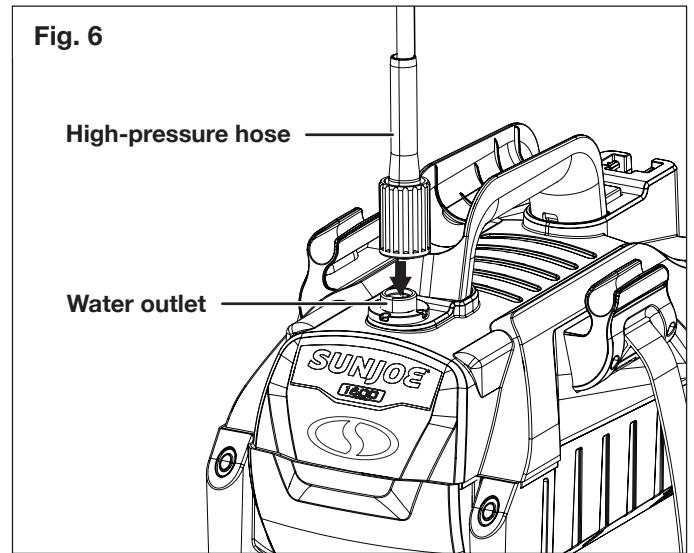


2. Connect the other end of the high-pressure hose to the water outlet on the pressure washer (Fig. 6). First, push the high-pressure hose end completely onto the high-pressure water outlet, then screw it on clockwise.

Fig. 6

High-pressure hose

Water outlet



**WARNING!** Keep hose away from sharp objects. Bursting hoses may cause injury. Examine hoses regularly and replace if damaged. Do not attempt to mend a damaged hose.

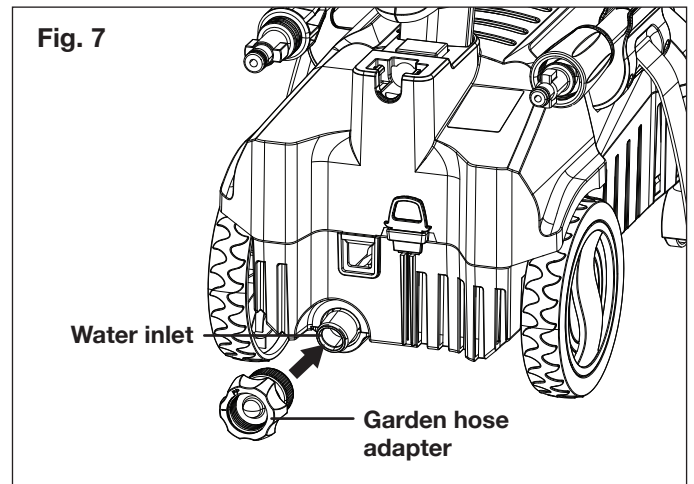
3. Connect the garden hose adapter (female coupler) to the water inlet of the pressure washer, then thread your garden hose (male end) into the garden hose adapter (Figs. 7 – 8). The garden hose must have an internal diameter of at least 13 mm (1/2 in.) and must be reinforced. The water supply must be at least equal to the washer delivery capacity.

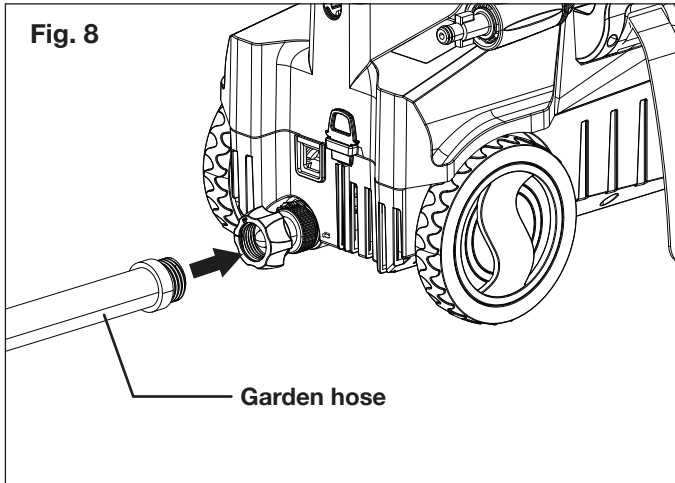
**NOTE:** The machine is not suitable for connection to the potable water main.

Fig. 7

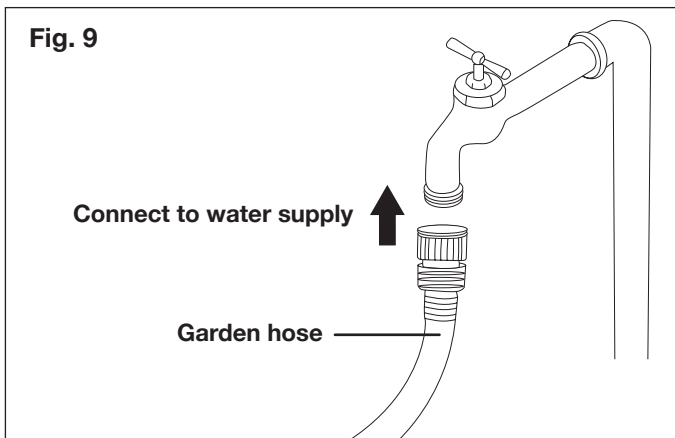
Water inlet

Garden hose adapter





4. Attach garden hose to water supply (Fig. 9).



**⚠ WARNING!** Do not connect to potable water system.

**⚠ WARNING!** If connection is made to a potable water system, the system shall be protected against backflow.

**⚠ WARNING!** The intake water temperature must not exceed 104°F/40°C. The water supply must not exceed 0.7 MPa.

**⚠ CAUTION!** The washer must only be used with clean water; use of unfiltered water containing corrosive chemicals will damage the washer.

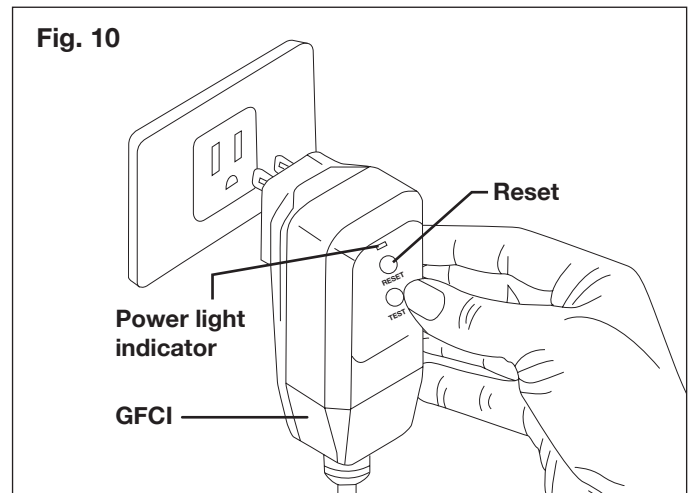
**⚠ CAUTION!** To prevent damage to the appliance, do not allow it to operate dry. Before starting the appliance, make sure that it has a proper and stable supply of water.

5. Make sure the motor switch is pushed to the OFF (0) position before plugging the unit into the power outlet.

## Operation

**IMPORTANT!** This pressure washer is equipped with a micro-switch sensitive to water flow. This Total Stop System (TSS) senses water flow in the pump. When the trigger is released, water stops flowing through the pump. The TSS then automatically turns the motor off to protect the pump from overheating, thus saving energy and prolonging pump life.

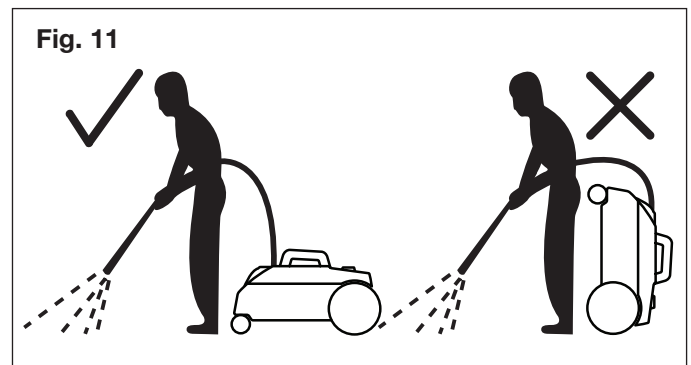
1. Check that the electrical supply voltage and frequency (Volt/Hz) correspond to those specified on the pressure washer rating plate. If the power supply is correct, you may now plug the pressure washer into the power outlet (Fig. 10).



**NOTE:** The GFCI may need to be reset when first plugged into the electric outlet. Press the "Reset" button until the power light indicator on the GFCI illuminates.

2. Position the washer as CLOSE as possible to the water supply.

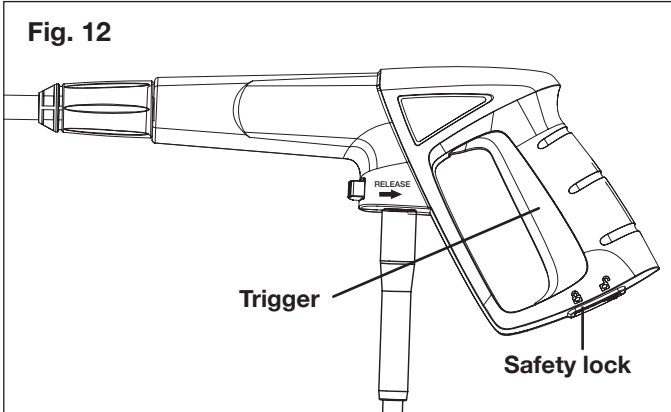
3. The washer must be used on a secure and stable surface in a standing, upright position (Fig. 11).



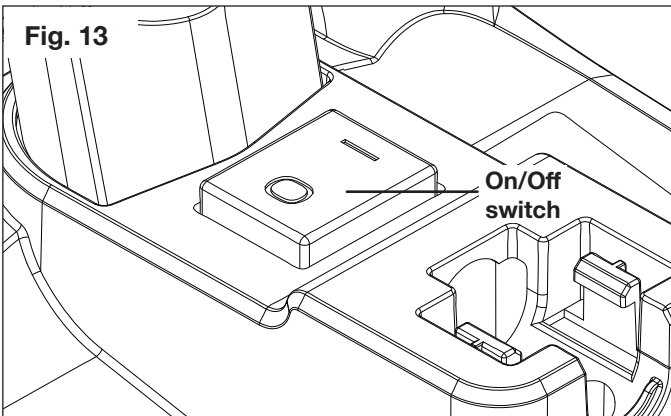
4. Turn the water supply tap on completely.



5. Unlock the safety lock, then press the trigger for a few seconds until the water flow is steady. Operating the pressure washer in this manner will allow air to escape and discharge residual pressure in the hose (Fig. 12). Release the trigger after all residual pressure is discharged.



6. Keeping the trigger pressed, push the switch to the ON (I) position to start the pressure washer (Fig. 13).



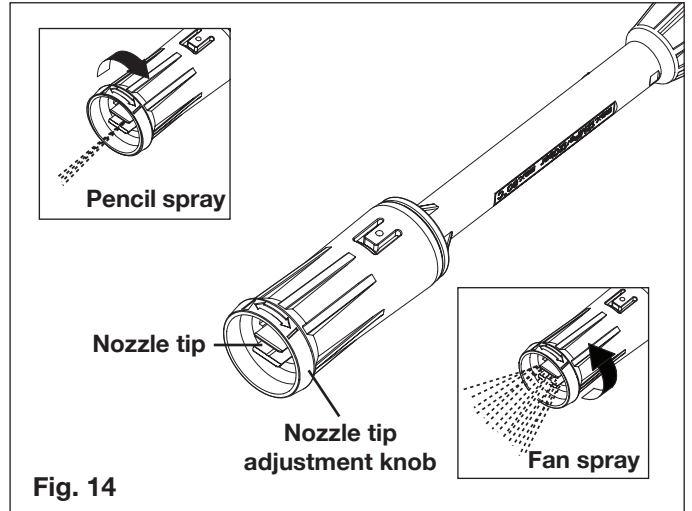
7. When re-starting the motor, always keep the trigger pressed.

**NOTE:** The motor only runs when the trigger is depressed and shuts off when the trigger is released.

## Using the Adjustable Spray Wand

**⚠️ WARNING!** High-pressure jets can be dangerous if subject to misuse. The jet must not be directed at persons, pets, live electrical equipment, or the appliance itself.

1. The washer is equipped with an adjustable nozzle.
2. The nozzle tip can be adjusted from pencil spray to fan spray by turning the nozzle tip adjustment knob (Fig. 14).



**⚠️ WARNING!** Do not adjust the nozzle while the trigger is squeezed. Failure to do so could result in damage.

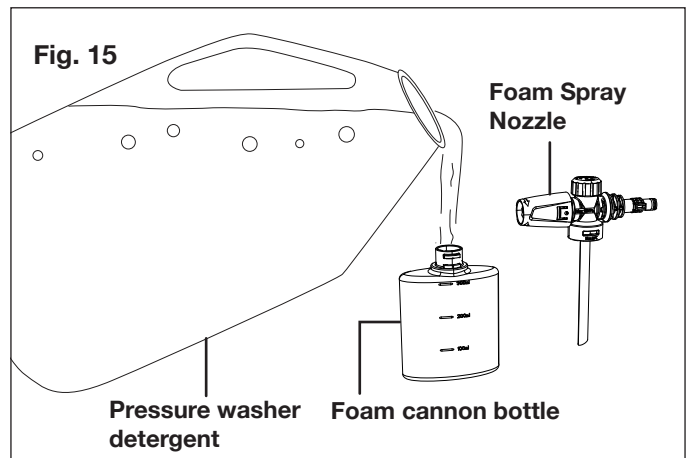
## Working with Detergent

When cleaning with the pressure washer, some cleaning tasks can be solved with water alone, but for most tasks, cleaning with detergent allows for more effective dirt removal.

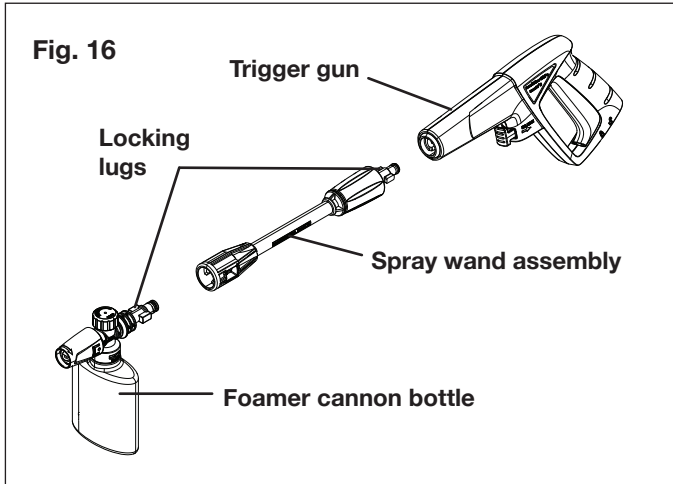
For additional cleaning power, the unit comes equipped with a foam cannon.

**⚠️ WARNING!** Use only detergents specifically designed for use with pressure washers, such as Sun Joe® HOUSE + DECK WASH (SPX-HDC1G), Sun Joe® SNOW FOAM AUTO WASH (SPX-FCS1G), or Sun Joe® HEAVY DUTY CLEANER (SPX-APC1G). **DO NOT USE** household detergents, acids, alkaline solutions, bleaches, solvents, flammable material, or industrial-grade solutions. These could damage the pressure washer. Many detergents may require mixing prior to use. Prepare the cleaning solution as instructed on the solution bottle.

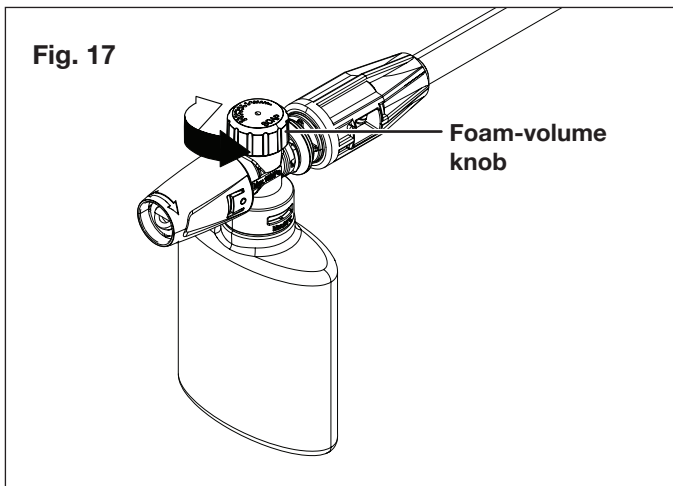
1. Remove the foam spray nozzle, and fill the foam cannon bottle with detergent designed specifically for use with pressure washers (Fig. 15).



- Recap the foam cannon bottle, and attach it to the trigger gun via the spray wand assembly. Using the locking lugs, twist clockwise to lock each component in place (Fig. 16).



- The foam cannon bottle is equipped with a foam-volume knob. Follow the instructions as shown to use the foam-volume knob (Fig. 17).



- Apply detergent from the bottom to the top of the dry surface to be cleaned. Applying detergent in this manner will dissolve dirt most effectively.

**NOTE:** Wetting the surface first is not recommended as it dilutes the detergent and reduces its cleaning ability.

**⚠ CAUTION!** Always test the detergent in an inconspicuous area before use.

- Allow the detergent to remain on the surface for a short time before rinsing with the pressure washer. Do not allow the detergent to dry on the surface.

**⚠ CAUTION!** Damage may occur to painted surfaces if the detergent is allowed to dry on the surface. Wash and rinse a small section at a time. Avoid working on hot surfaces or in direct sunlight.

- Rinse with clean water. When working on a vertical surface, wash from the bottom up, then rinse from the top down to avoid streaking. Hold the nozzle 6-8 inches away from the work surface at a 45° angle.

### **⚠ IMPORTANT! NEVER USE:**

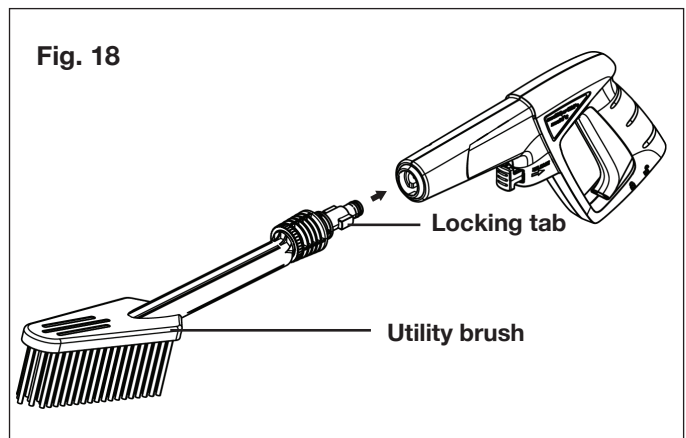
- Bleach, chlorine products, and other corrosive chemicals
- Liquids containing solvents (e.g. paint thinners, gasoline, oils)
- Tri-sodium phosphate products
- Ammonia products
- Acid-based products

These chemicals will harm the unit and will damage the cleaning surface.

## **Using the Feather Bristle Pressure Washer Utility Brush**

The Sun Joe® feather bristle pressure washer utility brush safely cleans painted, topcoat, and delicate surfaces. Compatible with all Sun Joe® SPX series pressure washers.

- If not already done, detach your spray wand from your trigger gun.
- Take the utility brush and align the two tabs with the inside of the trigger gun (Fig. 18).



- Once aligned, push the utility brush into the trigger gun, twist counterclockwise to lock into place.

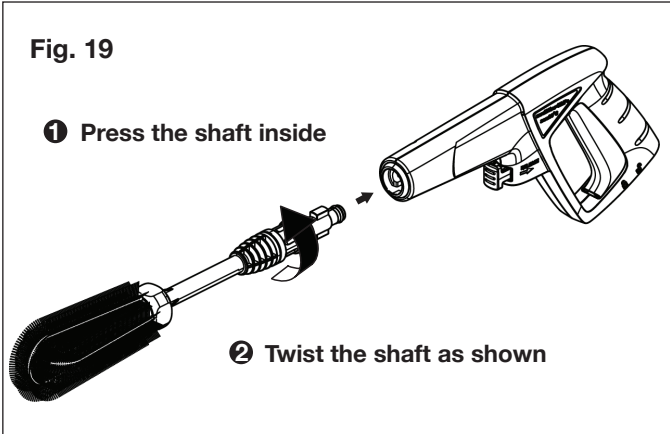
## **Using the Wheel + Rim Brush**

The Sun Joe® wheel + rim brush safely cleans wheels and rims. Compatible with all Sun Joe® SPX series pressure washers.

- Disconnect the spray wand from the trigger gun by pressing it in firmly and twisting clockwise until the 2 locking tabs of the lance can be removed from the slot.
- Take the wheel + rim brush and align the two tabs with the inside of the trigger gun (Fig. 19).

- Once aligned, push the wheel + rim brush into the trigger gun, twist counterclockwise to lock into place.

Fig. 19

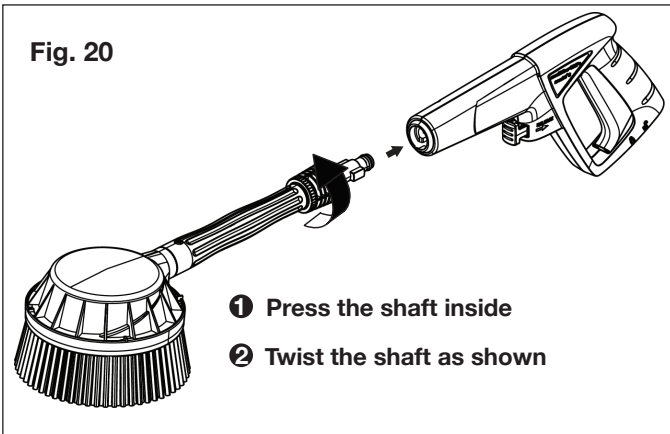


## Using the Rotating Surface Cleaner

The Sun Joe® rotary brush safely cleans painted, topcoat, and delicate surfaces. Compatible with all Sun Joe® SPX series pressure washers.

- Disconnect the spray wand from the trigger gun by pressing it in firmly and twisting clockwise until the 2 locking tabs of the lance can be removed from the slot.
- Take the rotary brush and align the two tabs with the inside of the trigger gun (Fig. 20).
- Once aligned, push the rotary brush into the trigger gun, twist counterclockwise to lock into place.

Fig. 20



## Shutting down

- Push the switch to the OFF (0) position and unplug the power cord from the outlet.
- Turn off the water source.
- Hold the trigger to release water pressure.
- Disconnect the garden hose from the water inlet on the unit.
- Disconnect the high-pressure hose connection on the trigger gun handle.
- Release the trigger and engage the gun safety lock.

**⚠ WARNING!** Turn off the water supply and squeeze the trigger to depressurize the unit. Failure to do so could result in personal injury due to discharge of high-pressure water.

## Taking a break

If you are taking a break of five minutes or more between cleaning tasks:

- Engage the gun safety lock (Fig. 12).
- Push the switch to the OFF (0) position.
- Unplug the power cord from the outlet.

## Storage

**⚠ CAUTION!** Always store your pressure washer in a location where the temperature will not fall below 32°F (0°C). The pump in this machine is susceptible to permanent damage if it freezes. **FREEZE DAMAGE IS NOT COVERED BY THE WARRANTY.**

- Store the pressure washer indoors in a dry, covered area where it is not subject to adverse weather conditions.
- It is important to store this product in a frost-free area.
- Always empty water from all hoses, the pump, and the detergent bottle (if using) before storing.

**⚠ CAUTION!** The use of a pump protector is recommended to prevent cold weather damage during storage over the winter months.

## Winterizing + long-term storage

If you must store your pressure washer in a location where the temperature falls below 32°F (0°C), you can minimize the chance of damage to your machine by utilizing the following procedure:

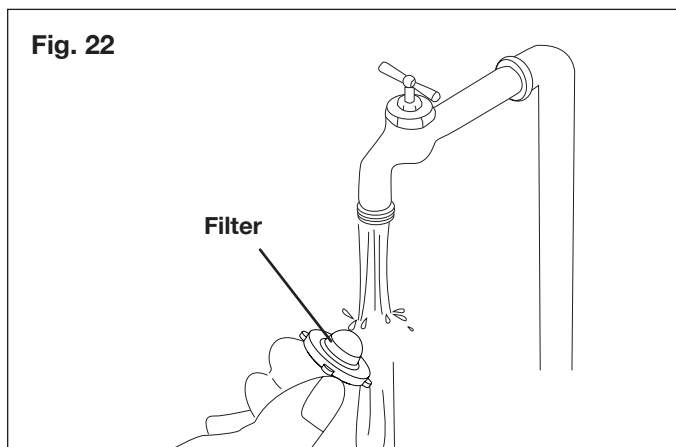
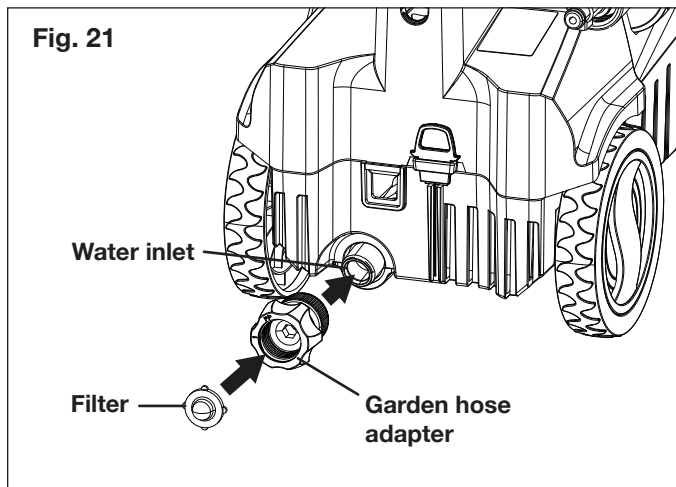
- Disconnect all water connections.
- Turn on the machine for a few seconds until the remaining water in the pump exits. Turn off immediately.
- Do not allow the high-pressure hose to become kinked.
- Store the machine and accessories in a room that does not reach freezing temperatures.
- Do not store near a furnace or other sources of heat that may dry out the pump seals.
- Operate the pressure washer with non-corrosive/non-toxic anti-freeze, a pump saver, or a pump protector before storing for the winter.

**⚠ WARNING!** Before reusing, completely flush the unit out with clear water. Anti-freeze products can damage paintwork, so you must ensure there is no anti-freeze left in the system before using it again.

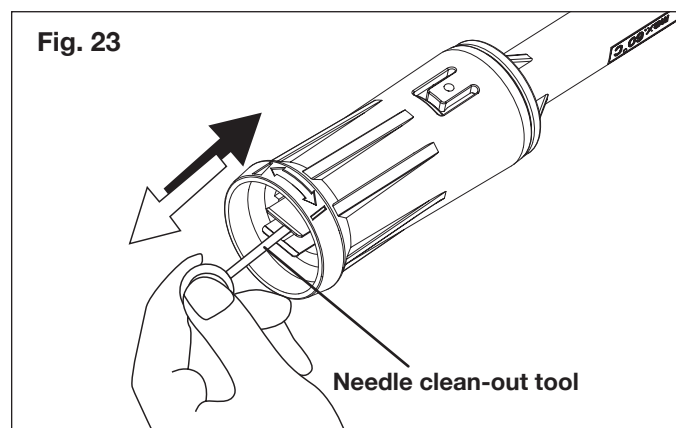
## Maintenance

**⚠ CAUTION!** Before working on the pressure washer, switch off the unit and disconnect the plug from the power supply socket.

1. To ensure good performance, check and clean the filter (Fig. 21). Remove garden hose adapter and the filter. Rinse the filter with warm water to prevent any foreign matter from clogging the pump (Fig. 22).



2. Clean the nozzle with the needle clean-out tool provided (Fig. 23). Remove the spray wand from the gun; remove any dirt from the nozzle hole and rinse.



## Disposal

### Recycling the washer

- Do not dispose of electrical appliances as unsorted municipal waste. Use separate collection facilities.
- Contact your local government agency for information regarding the collection systems available.
- If electrical appliances are disposed of in landfills or dumps, hazardous substances can leak into the groundwater and get into the food chain, damaging your health and well-being.
- When replacing old appliances with new ones, the retailer is legally obligated to take back your old appliance for disposal free of charge.

## Service + Support

If your Sun Joe® SPX3160P-SJG electric pressure washer requires service or maintenance, please call the Snow Joe® + Sun Joe® customer service center at 1-866-SNOWJOE (1-866-766-9563).

## Model + Serial Numbers

When contacting the company, reordering parts, or arranging service from an authorized dealer, you will need to provide the model and serial numbers, which can be found on the decal located on the housing of the unit. Copy these numbers into the space provided below.

Record the following numbers from the housing or handle of your new product:	
Model #:	
S   P   X   3   1   6   0   P   -   S   J   G	
Serial #:	

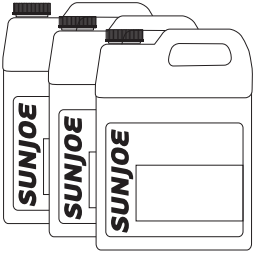
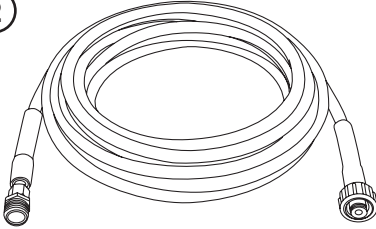
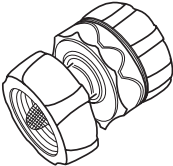
# Troubleshooting

- Disconnect the unit from the electrical power supply before carrying out maintenance on the machine or when checking that its parts are in proper working order.
- To avoid unnecessary hassles, consult the following table before contacting customer service with any mechanical issues.

Problems	Possible Cause	Possible Solution
Machine refuses to start	<ul style="list-style-type: none"> <li>• Power failure/machine not plugged into a working receptacle.</li> <li>• Defective socket.</li> <li>• Fuse has blown.</li> </ul>	<ul style="list-style-type: none"> <li>• Check to make sure machine is plugged into a working outlet.</li> <li>• Check the power cord and reset the GFCI. Try a different outlet.</li> <li>• Replace fuse. Switch off any other machines that are using the same circuit.</li> </ul>
Fluctuating pressure	<ul style="list-style-type: none"> <li>• Pump sucking air.</li> <li>• Valves dirty, worn out, or stuck.</li> <li>• Pump seals worn out.</li> </ul>	<ul style="list-style-type: none"> <li>• Check the hoses and connections are airtight.</li> <li>• Clean or replace valves/seals.</li> <li>• Please call the Snow Joe® + Sun Joe® customer service center at 1-866-SNOWJOE (1-866-766-9563) for assistance.</li> </ul>
Machine stops	<ul style="list-style-type: none"> <li>• Fuse has blown.</li> <li>• Incorrect mains voltage.</li> <li>• Thermal sensor activated.</li> <li>• Nozzle partially blocked.</li> </ul>	<ul style="list-style-type: none"> <li>• Replace fuse. Switch off other machines using the same circuit.</li> <li>• Check that the mains voltage corresponds to specification on the model tag.</li> <li>• Leave the washer for 5 minutes to cool down.</li> <li>• Clean the nozzle.</li> </ul>
Fuse blows	<ul style="list-style-type: none"> <li>• Fuse too small.</li> </ul>	<ul style="list-style-type: none"> <li>• Install a fuse with a higher amp rating than the amp consumption of the machine.</li> </ul>
Machine pulsating	<ul style="list-style-type: none"> <li>• Air in inlet hose.</li> <li>• Inadequate supply of mains water.</li> <li>• Nozzle partially blocked.</li> <li>• Water filter blocked.</li> <li>• Hose kinked.</li> </ul>	<ul style="list-style-type: none"> <li>• Allow machine to run by holding the trigger until regular working pressure resumes.</li> <li>• Check that the water supply corresponds to the specifications required.</li> <li>• <b>WARNING!</b> Avoid using long, thin hoses (minimum 1/2 in. diameter).</li> <li>• Clean the nozzle.</li> <li>• Clean the water inlet filter.</li> <li>• Straighten out the hose to remove any kinks/blockages.</li> </ul>
Machine often starts and stops by itself	<ul style="list-style-type: none"> <li>• Pump/spray gun is leaking.</li> <li>• Trigger mechanism is broken.</li> </ul>	<ul style="list-style-type: none"> <li>• Please call the Snow Joe® + Sun Joe® customer service center at 1-866-SNOWJOE (1-866-766-9563) for assistance.</li> </ul>
Machine starts, but no water comes out	<ul style="list-style-type: none"> <li>• Pump/hoses or accessories frozen.</li> <li>• No water supply.</li> <li>• Water inlet filter blocked.</li> <li>• Nozzle blocked.</li> </ul>	<ul style="list-style-type: none"> <li>• Wait for pump/hoses or accessories to thaw.</li> <li>• Connect inlet water.</li> <li>• Clean the water inlet filter.</li> <li>• Clean the nozzle.</li> </ul>

# Optional Accessories

**WARNING!** ALWAYS use only authorized Snow Joe® + Sun Joe® replacement parts and accessories. NEVER use replacement parts or accessories that are not intended for use with this electric pressure washer. Contact Snow Joe® + Sun Joe® if you are unsure whether it is safe to use a particular replacement part or accessory with your pressure washer. The use of any other attachment or accessory can be dangerous and could cause injury or mechanical damage.

Accessories	Item	Model
<p>①</p> 	<p>Sun Joe® House + Deck All-Purpose Pressure Washer Rated Concentrated Cleaner</p> <p>Sun Joe® Premium Snow Foam Pressure Washer Rated Car Wash Soap + Cleaner</p> <p>Sun Joe® All-Purpose Heavy Duty Pressure Washer Rated Cleaner + Degreaser</p>	<p>SPX-HDC1G</p> <p>SPX-FCS1G</p> <p>SPX-APC1G</p>
<p>②</p> 	<p>25-Foot Medium-duty Extension Hose for SPX Pressure Washer Series</p>	<p>SPX-25H</p>
<p>③</p> 	<p>Universal Quick-Connect Coupler (Garden Hose to Pressure Washer Adapter)</p>	<p>SPX-UQC</p>

Sun Joe's complete line of premium pressure washer accessories and attachments make it easy to get your dirty work done, and also help you get the most out of your model!

**SHOP ONLINE now at [sunjoe.com](http://sunjoe.com)**

**NOTE:** Accessories are subject to change without any obligation on the part of Snow Joe® + Sun Joe® to provide notice of such changes. Accessories can be ordered online at [sunjoe.com](http://sunjoe.com) or via phone by contacting the Snow Joe® + Sun Joe® customer service center at 1-866-SNOWJOE (1-866-766-9563).



## SNOW JOE® + SUN JOE® CUSTOMER PROMISE

**ABOVE ALL ELSE**, Snow Joe, LLC (“Snow Joe”) is dedicated to you, our customer. We strive to make your experience as pleasant as possible. Unfortunately, there are times when a Snow Joe®, Sun Joe®, or Aqua Joe® product (“Product”) does not work or breaks under normal operating conditions. We think it’s important that you know what you can expect from us. That’s why we have a Limited Warranty (“Warranty”) for our Products.

---

### **OUR WARRANTY:**

Snow Joe warrants new, genuine, powered and non-powered Products to be free from defects in material or workmanship when used for ordinary household use for a period of two years from the date of purchase by the original, end-user purchaser when purchased from Snow Joe or from one of Snow Joe’s authorized sellers with proof of purchase. Because Snow Joe is unable to control the quality of its Products sold by unauthorized sellers, unless otherwise prohibited by law, this Warranty does not cover Products purchased from unauthorized sellers. If your Product does not work or there’s an issue with a specific part that is covered by the terms of this Warranty, Snow Joe will elect to either (1) send you a free replacement part, (2) replace the Product with a new or comparable product at no charge, or (3) repair the Product. How cool is that!

**This Warranty gives you specific legal rights, and you may also have other rights which vary from State to State.**

### **PRODUCT REGISTRATION:**

Snow Joe strongly encourages you to register your Product. You can register online at [snowjoe.com/register](https://snowjoe.com/register), or by printing and mailing in a registration card available online from our website, or calling our Customer Service Department at **1-866-SNOWJOE (1-866-766-9563)**, or by e-mailing us at [help@snowjoe.com](mailto:help@snowjoe.com). Failure to register your Product will not diminish your warranty rights. However, registering your Product will allow Snow Joe to better serve you with any of your customer service needs.

### **WHO CAN SEEK LIMITED WARRANTY COVERAGE:**

This Warranty is extended by Snow Joe to the original purchaser and original owner of the Product.

### **WHAT IS NOT COVERED?**

This Warranty does not apply if the Product has been used commercially or for non-household or rental applications. This Warranty also does not apply if the Product was purchased from an unauthorized seller. This Warranty also does not cover cosmetic changes that do not affect performance. Wearing parts like belts, augers, chains and tines are not covered under this Warranty, and can be purchased at [snowjoe.com](https://snowjoe.com) or by calling **1-866-SNOWJOE (1-866-766-9563)**.







# LAVADORA A PRESIÓN ELÉCTRICA GO ANYWHERE 11A

SP

## MANUAL DEL OPERADOR

Una división de Snow Joe®, LLC

Modelo SPX3160P-SJG

Forma N° SJ-SPX3160P-SJG-880S-M-FTY

## ¡IMPORTANTE! Instrucciones de seguridad

### Todos los operadores deberán leer estas instrucciones antes del uso

**⚠ ¡ADVERTENCIA!** Esto indica una situación peligrosa la cual, de no ser evitada, puede causar lesiones personales severas o la muerte.

**⚠ ¡PRECAUCIÓN!** Esto indica una situación peligrosa la cual, de no ser evitada, puede causar lesiones menores o moderadas.

**⚠ ¡PELIGRO!** Esto indica una situación peligrosa la cual, de no ser evitada, causará lesiones personales severas o la muerte.

## Seguridad general

**⚠ ¡ADVERTENCIA!** Este artefacto no está destinado para su uso por niños o por otras personas sin asistencia o supervisión cuyas habilidades físicas, sensoriales o mentales les impidan usarlo de forma segura. Los niños deben estar bajo supervisión para garantizar que no vayan a jugar con la hidrolavadora eléctrica.

Antes de encender su hidrolavadora eléctrica, inspecciónela cuidadosamente para comprobar que no tenga defectos. Si encuentra algún defecto, no la encienda. Contacte a un concesionario autorizado Snow Joe® + Sun Joe® o comuníquese con la central de servicio al cliente Snow Joe® + Sun Joe® llamando al 1-866-SNOWJOE (1-866-766-9563).

**⚠ ¡ADVERTENCIA!** Al usar esta hidrolavadora eléctrica, se deberán tomar siempre precauciones básicas de seguridad para reducir riesgos de incendio, choque eléctrico y lesiones personales. Estas incluyen:

- **Conozca su producto:** sepa cómo detener la máquina y purgar la presión de forma rápida. Familiarícese a fondo con los controles.
- **Mantenga alejados a los transeúntes:** todas las personas y mascotas deberán encontrarse a una distancia segura del área de trabajo.
- **Use el producto adecuado:** no utilice esta hidrolavadora para ningún otro trabajo excepto para el cual ha sido diseñada.

- **Vístase apropiadamente:** no utilice prendas holgadas ni joyería. Pueden llegar a engancharse en las partes móviles. Al trabajar en exteriores, se recomienda el uso de guantes de goma y calzado antideslizante.
- **⚠ ¡PRECAUCIÓN!** Tenga cuidado y evite resbalar o caer. Utilice calzado protector que proteja sus pies y mejore su posición de pie en superficies resbaladizas.
- **Manténgase alerta:** vea lo que está haciendo. Utilice su sentido común. No opere la hidrolavadora eléctrica si usted está cansado o bajo la influencia del alcohol o las drogas.
- **No adopte una postura inclinada:** mantenga con sus pies balance y posición adecuados todo el tiempo.
- **Evite encendidos accidentales:** no transporte la máquina enchufada con su dedo en el interruptor. Asegúrese de que el interruptor esté en la posición de apagado antes de enchufar la unidad.
- **No abuse del cable:** nunca jale la hidrolavadora por su cable de alimentación, ni tire bruscamente del cable para desconectarlo del tomacorriente. Mantenga el cable alejado del calor, aceites y bordes filosos.
- **Use gafas protectoras:** use también calzado protector, ropa que se ajuste a su cuerpo, guantes protectores y protección auditiva y para la cabeza.
- **Compruebe la temperatura del agua:** esta hidrolavadora eléctrica no está hecha para bombear agua caliente. **NUNCA** la conecte a una fuente de agua caliente ya que reducirá significativamente el ciclo de vida útil de la bomba.
- **Guárdela en un lugar bajo techo:** **NUNCA** almacene la hidrolavadora eléctrica en exteriores o donde pueda congelarse. La bomba podría dañarse seriamente.
- **Interruptor de circuito de falla de conexión a tierra (GFCI):** se debe proveer protección en los circuitos o tomacorrientes a ser usados con esta hidrolavadora. Hay receptáculos disponibles con protección incorporada GFCI y pueden ser utilizados para esta medida de seguridad.
- **Inspeccione los cables eléctricos:** el aislamiento del cable de alimentación debe estar perfectamente intacto. Si el cable de alimentación está dañado o hay señales de desgaste o deterioro, no use la hidrolavadora eléctrica. Contacte a un concesionario autorizado Snow Joe® + Sun Joe® o comuníquese con la central de servicio al cliente Snow Joe® + Sun Joe® llamando al 1-866-SNOWJOE (1-866-766-9563).

**⚠ ¡ADVERTENCIA!** No use esta hidrolavadora eléctrica sin antes leer este manual de instrucciones.

**⚠ ¡ADVERTENCIA!** Esta hidrolavadora ha sido diseñada para su uso con agentes de limpieza recomendados

por el fabricante. El uso de otros agentes de limpieza o químicos puede perjudicar la seguridad del artefacto.

**⚠ ¡ADVERTENCIA!** No use el artefacto cerca de otras personas a menos que estas se encuentren usando ropa protectora.

**⚠ ¡ADVERTENCIA!** Los chorros de alta presión pueden ser peligrosos si se manipulan incorrectamente. El chorro no deberá estar dirigido a personas, mascotas, equipos eléctricos activos, o al artefacto en sí.

- No dirija el chorro hacia usted o demás personas para limpiar ropa o calzado.
- **Riesgo de explosión:** no rocíe líquidos inflamables.
- **Riesgo de lesiones personales o inyección a personas –** Nunca dirija el chorro de descarga a personas, mascotas o dispositivos eléctricos.
- **Desconecte la hidrolavadora:** desconecte la hidrolavadora eléctrica de la fuente de alimentación antes de llevar a cabo cualquier tarea de mantenimiento.
- **Mantenga alejados a los niños:** esta hidrolavadora eléctrica de alta presión no debe ser usada por niños o personas no capacitadas.
- Para garantizar un uso seguro del artefacto, use solo partes de repuesto del fabricante o aprobadas por éste.

**⚠ ¡ADVERTENCIA!** El agua que ha fluído a través de válvulas contra-reflujo se considera no potable.

**⚠ ¡ADVERTENCIA!** Durante la limpieza, mantenimiento o reemplazo de partes, desconecte la máquina de su fuente de alimentación retirando el enchufe del tomacorriente.

**⚠ ¡ADVERTENCIA!** Las mangueras, juntas y acoplamientos para presiones altas son importantes para la seguridad del artefacto. Use solo mangueras, juntas y acoplamientos recomendados por el fabricante.

- **Inspeccione la unidad en busca de partes dañadas:** no use el artefacto si hay daños en el cable de suministro o en partes importantes; p. ej., dispositivos de seguridad, mangueras para presión alta o pistola rociadora.
- Esta hidrolavadora eléctrica de alta presión no debe ser usada a temperaturas menores de 32°F (0°C).

**⚠ ¡ADVERTENCIA!** El cable de alimentación debe estar siempre desenrollado por completo para evitar el sobrecalentamiento.

- Las conexiones de cables de alimentación deben permanecer secas y por encima del nivel del suelo.
- Si el cable de alimentación está dañado, no utilice la hidrolavadora. Contacte a un concesionario autorizado Snow Joe® + Sun Joe® o comuníquese con la central de servicio al cliente Snow Joe® + Sun Joe® llamando al 1-866-SNOWJOE (1-866-766-9563).

- Mantenga la máquina en una superficie estable y plana durante la operación, manipulación, transporte y almacenamiento. Un volcado repentino de la máquina puede causar lesiones corporales.
- En caso de accidente o desperfecto, desenchufe la máquina inmediatamente. (Si hay contacto con el detergente: enjuague con abundante agua limpia).

## Seguridad eléctrica

**ATENCIÓN:** si hay problemas con la RED ELÉCTRICA, pueden ocurrir caídas breves de voltaje al encender el equipo. Estas a su vez pueden afectar otros equipos (como por ejemplo, una lámpara parpadeando). Si la IMPEDANCIA DE LA RED (Zmax) es menor que 0.335 ohmios, estas fluctuaciones no son esperadas (si necesita ayuda, comuníquese con la empresa de suministro eléctrico de su localidad para más información).


**⚠ ¡ADVERTENCIA!** Peligro de choque eléctrico: antes de encender su máquina, inspecciónela cuidadosamente para comprobar que no tenga defectos. Si encuentra algún defecto, no la encienda. Contacte a un concesionario autorizado Snow Joe® + Sun Joe® o comuníquese con la central de servicio al cliente Snow Joe® + Sun Joe® llamando al 1-866-SNOWJOE (1-866-766-9563).

Se deberá cumplir lo siguiente al conectar la hidrolavadora eléctrica de alta presión a la red eléctrica:

- La conexión al suministro eléctrico deberá haber sido hecha por una persona calificada.
- La alimentación de electricidad a este artefacto deberá incluir ya sea un dispositivo de corriente residual (RCD) que interrumpirá el suministro si la corriente de fuga a tierra excede los 30 mA durante 30 ms, o un interruptor de circuito a tierra (GFCI).

**IMPORTANTE:** solo use agua sin impurezas. Si hay un peligro de arena fluyendo en el agua de entrada (p. ej., de su propio pozo), se deberá instalar un filtro adicional.


## Reparación de artefacto de doble aislamiento

En un artefacto de doble aislamiento, se proporcionan dos sistemas de aislamiento en lugar de una conexión a tierra. Un artefacto de doble aislamiento no posee una conexión a tierra, y no debe agregársele ninguna. La reparación de un artefacto de doble aislamiento requiere sumo cuidado y conocimiento del sistema, y solo debe ser realizada por personal técnico calificado en un centro de servicio autorizado por Snow Joe® + Sun Joe®. Las partes de repuesto de un artefacto de doble aislamiento deben ser idénticas a las partes originales. Un artefacto de doble aislamiento está marcado con las frases “Double Insulation” (“doblemente aislado”) o “Double Insulated” (“doble aislamiento”). El símbolo  (un cuadrado dentro de otro) puede también estar marcado en el artefacto.


## Dispositivos de seguridad

La válvula del descargador puede reducir la presión si ésta excede los valores preestablecidos. La pistola rociadora incluye un dispositivo de trabado. Cuando el trabado está activado, la pistola rociadora no puede ser operada.

1. **Sensor térmico:** un sensor térmico protege el motor contra las sobrecargas. La máquina se reiniciará luego de unos cuantos minutos, cuando el sensor térmico se haya enfriado.
2. **Interruptor de circuito de falla de conexión a tierra (GFCI):** se deberá proveer un interruptor de circuito de falla de conexión a tierra (GFCI) en el(los) circuito(s) o tomacorriente(s) a ser utilizados para la hidrolavadora. Hay receptáculos disponibles con protección incorporada GFCI y pueden ser utilizados para esta medida de seguridad.
3. No se recomienda usar un cable de extensión con esta hidrolavadora eléctrica. La unidad incluye un cable de alimentación con GFCI de 35 pies. El uso de un cable de extensión puede causar una caída de voltaje, produciendo pérdida de potencia y sobrecalentamiento.

 **¡ADVERTENCIA!** Para reducir el riesgo de un choque eléctrico, este artefacto posee un enchufe polarizado (es decir, una pata es más ancha que la otra). El enchufe del aparato encajará completamente, en una sola posición, en un tomacorriente polarizado.

4. No maltrate el cable. Nunca jale la hidrolavadora eléctrica por su cable, ni tire de éste para desconectarla del receptáculo. Mantenga el cable alejado del calor, aceite y bordes afilados.

 **¡ADVERTENCIA!** Para reducir el riesgo de un choque eléctrico, mantenga todas las conexiones secas y por encima del nivel del suelo. No toque el enchufe con las manos mojadas.

## Riesgo de choque eléctrico

- Inspeccione el cable antes del uso.
- No use el cable si está dañado.
- Mantenga todas las conexiones secas y por encima del suelo.
- No toque el enchufe con las manos mojadas.
- Mantenga el cable alejado del calor y bordes afilados.
- No rocíe artefactos ni cableados eléctricos.

## Riesgo de explosión

- No rocíe líquidos inflamables.
- No use ácidos, alcalinos, solventes, o ningún material inflamable en este producto. Estas sustancias pueden causar lesiones físicas al operador y daños irreversibles a la máquina.

## Instrucciones adicionales de seguridad

- Alta presión: manténgase alejado de la boquilla.
- Peligro de inyección: el equipo puede causar lesiones personales severas si el rociado penetra la piel.
- No apunte la pistola a nadie o a ninguna parte de su cuerpo.
- En caso de penetración en la piel, busque ayuda médica inmediatamente.
- Antes de reparar, limpiar o retirar cualquier parte, apague la unidad y reduzca la presión.
- Esta máquina no está diseñada para su conexión a las redes de suministro de agua potable.

## Descripción del producto

### Propósito

- Esta hidrolavadora eléctrica ha sido diseñada solo para uso residencial. Está destinada a trabajos de limpieza ligeros e intermedios en botes, motocicletas, vehículos recreativos (RV), vehículos todo-terreno (ATV), remolques, terrazas, barbacoas, fachadas, muebles de patios y demás.

### Áreas de aplicación

- ¡Bajo ninguna circunstancia use la máquina en áreas potencialmente explosivas!
- La temperatura de operación debe estar entre 32°F (0°C) y 104°F (40°C).
- La máquina es un ensamblaje con una bomba, empotrada en una carcasa que absorbe impactos. Para que el operador cuente con una posición de trabajo óptima, la máquina viene con una vara rociadora y un mango antideslizante, cuyas formas y configuraciones cumplen con los reglamentos aplicables.
- No cubra o modifique la vara rociadora o la boquilla de rociado de ningún modo.
- La hidrolavadora eléctrica de alta presión está diseñada para ser usada con agua fría o tibia. El agua a temperaturas más elevadas puede dañar la bomba.
- No use agua que esté sucia, arenosa, o contenga productos químicos, ya que dichas impurezas pueden afectar negativamente la operación y reducir el ciclo de vida útil de la hidrolavadora.

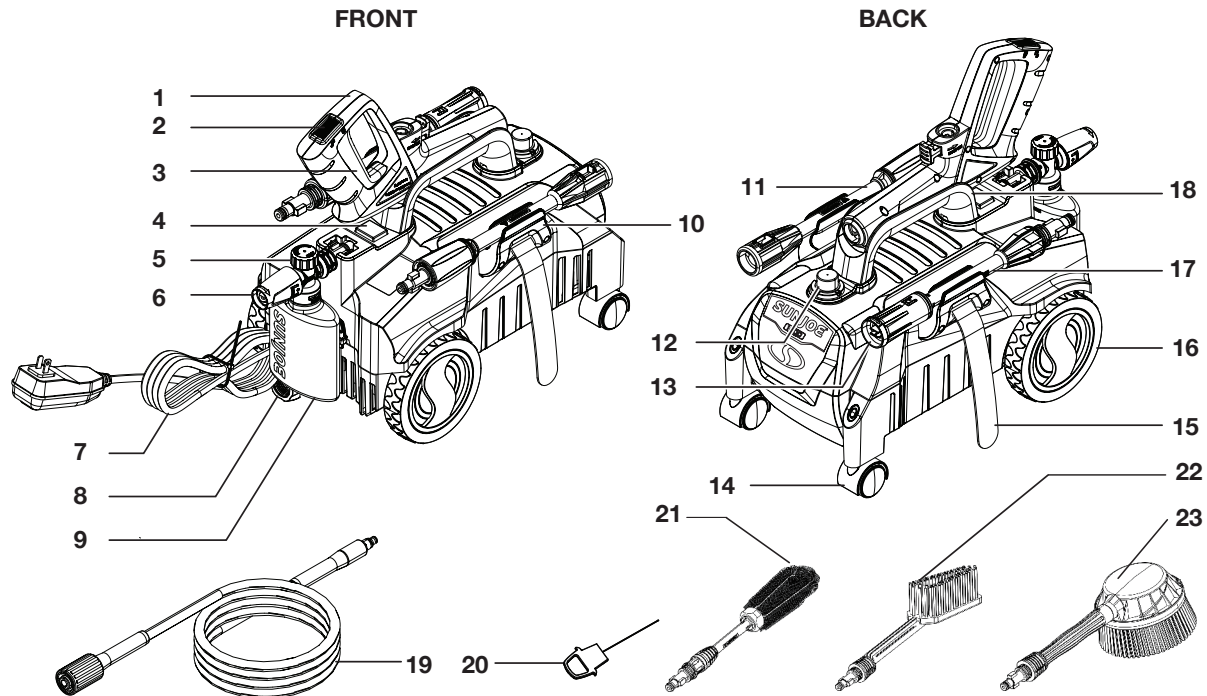
# Símbolos de seguridad

La siguiente tabla muestra y describe los símbolos de seguridad que pueden aparecer en esta hidrolavadora. Lea, comprenda y siga todas las instrucciones relacionadas a esta hidrolavadora antes de intentar ensamblarla y operarla.

Símbolo	Descripción	Símbolo	Descripción
	<b>LEA EL(LOS) MANUAL(ES) DEL OPERADOR:</b> lea, comprenda y siga todas las instrucciones en el(los) manual(es) antes de intentar ensamblar y operar esta unidad.		<b>¡ADVERTENCIA!</b> Peligro de choque eléctrico.
	<b>ALERTA DE SEGURIDAD:</b> indica una precaución, advertencia o peligro.		<b>¡ADVERTENCIA!</b> No exponga la unidad a la lluvia o a condiciones húmedas. Manténgala seca.
	<b>USE PROTECCIÓN OCULAR Y AUDITIVA:</b> para evitar lesiones, use protección auditiva y gafas protectoras.		Para reducir el riesgo de lesiones, el usuario debe mantener a los transeúntes alejados al menos a 49 pies (15 m) de distancia.
	Use guantes de seguridad durante el uso para proteger sus manos.		Utilice calzado antideslizante que proteja sus pies y mejore su posición de pie en superficies resbaladizas.
	Guarde la hidrolavadora eléctrica en interiores. Nunca la almacene en exteriores. Si la bomba se congela, puede dañarse de forma permanente.		La máquina no es adecuada para su conexión a la red de suministro de agua potable.
	Mantenga siempre el cable de alimentación alejado de fuentes de calor, aceites o bordes afilados. Retire inmediatamente el enchufe del tomacorriente si el cable se daña o se enreda.		<b>¡ADVERTENCIA!</b> Apague la máquina y desconéctela de la fuente de alimentación antes de inspeccionarla, limpiarla, cambiarle accesorios o llevar a cabo cualquier otra tarea de mantenimiento en ésta.
	<b>Doble aislamiento:</b> al prestar servicio, use solo partes de repuesto idénticas.		

# Conozca su hidrolavadora eléctrica

Lea detenidamente el manual del propietario y el reglamento de seguridad antes de operar la hidrolavadora. Compare la ilustración debajo con la hidrolavadora para familiarizarse con las ubicaciones de los diversos controles y ajustes. Conserve este manual para futuras referencias.



- |   |  |  |
|---|--|--|
| 1. Pistola rociadora                                    | 9. Botella del cañón de espuma           | 17. Vara rociadora                     |
| 2. Traba de seguridad                                   | 10. Sujetador de vara rociadora          | 18. Sujetador de pistola rociadora     |
| 3. Gatillo  | 11. Ensamblado de vara rociadora         | 19. Manguera de alta presión           |
| 4. Interruptor de encendido/apagado                     | 12. Salida de agua                       | 20. Herramienta de limpieza tipo aguja |
| 5. Perilla de volumen de espuma                         | 13. Boquilla ajustable de vara rociadora | 21. Rueda + cepillo de llanta          |
| 6. Boquilla de rociado de espuma                        | 14. Rueda orientable (x2)                | 22. Pincel práctico                    |
| 7. Cable de alimentación con GFCI                       | 15. Banda de velcro                      | 23. Pincel giratorio                   |
| 8. Adaptador para manguera de jardín (acoplador hembra) | 16. Rueda (x2)                           |  |

## Datos técnicos

Voltaje nominal .....	120 V ~ 60 Hz	Presión nominal .....	1,150 PSI
Amperaje de motor.....	11 A	Caudal nominal .....	1.1 GPM (4.2 L/min)
Temperatura máxima de entrada de agua .....	104°F (40°C)	Peso neto .....	11.9 lb (5.4 kg)
Presión máxima de entrada de agua .....	0.7 MPa		
Longitud de la manguera .....	20 pies (6 m)		
Longitud del cable de alimentación .....	35 pies (10.7 m)		
Boquilla ajustable de rociadora.....	0° to 45°		
Capacidad del cañón de espuma .....	10 fl oz (0.3 L)		

# Desembalaje

## Contenido del paquete

- Hidrolavadora eléctrica
- Pistola rociadora
- Rueda (x2)
- Rueda trabable (x2)
- Vara rociadora
- Ensamblado de vara rociadora
- Cañón de espuma
- Manguera de alta presión
- Adaptador para manguera de jardín (acoplador hembra)
- Herramienta de limpieza tipo aguja
- Manual con tarjeta de registro

1. Retire cuidadosamente la hidrolavadora eléctrica y compruebe que todos los artículos anteriores estén suministrados.
2. Inspeccione cuidadosamente el producto para asegurarse de que no haya ocurrido ningún daño o ruptura durante su transporte. Si alguna parte está dañada o extraviada, **NO DEVUELVA** la unidad a la tienda. Comuníquese con la central de servicio al cliente Snow Joe® + Sun Joe® llamando al 1-866-SNOWJOE (1-866-766-9563).

**NOTA:** no se deshaga de la caja de transporte ni del material de embalaje hasta que usted esté listo para usar su hidrolavadora. El empaquetado está hecho de materiales reciclables. Deseche estos materiales de acuerdo con los reglamentos locales.

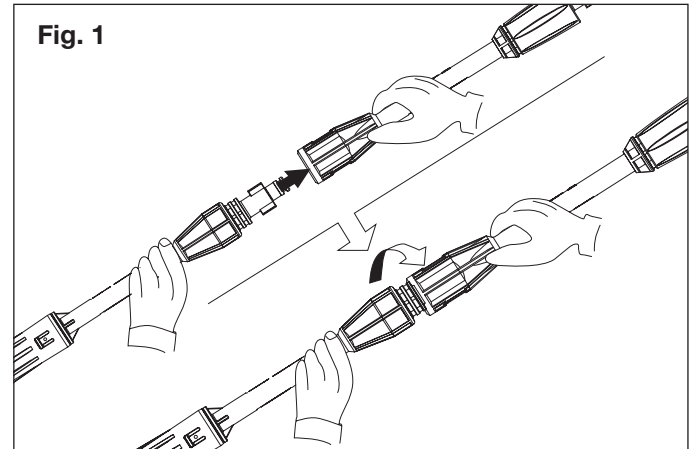
**¡IMPORTANTE!** El equipo y los materiales de embalaje no son juguetes. No permita que los niños jueguen con bolsas plásticas, láminas o partes pequeñas. ¡Estos objetos pueden ser tragados y presentan un riesgo de asfixia!

**⚠ ¡ADVERTENCIA!** No conecte la herramienta a la fuente de alimentación hasta que esté completamente ensamblada. El incumplimiento de esta advertencia puede resultar en un encendido accidental que causará lesiones personales severas.

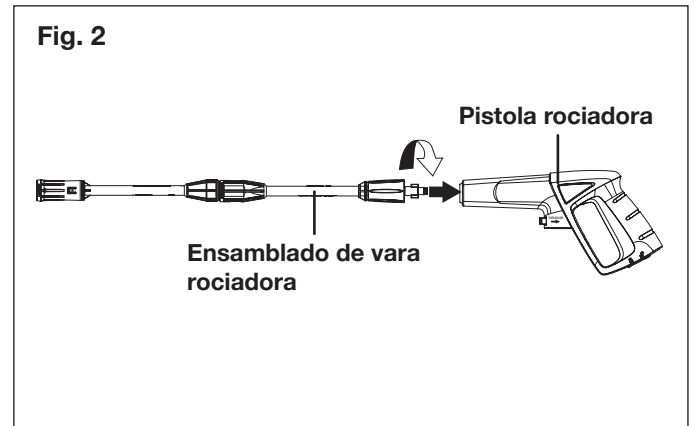
# Ensamblado

## Ensamblado de pistola rociadora

1. Conecte las dos piezas del ensamblado de vara rociadora y rótelas hasta que las dos partes estén completamente trabadas (Fig. 1).

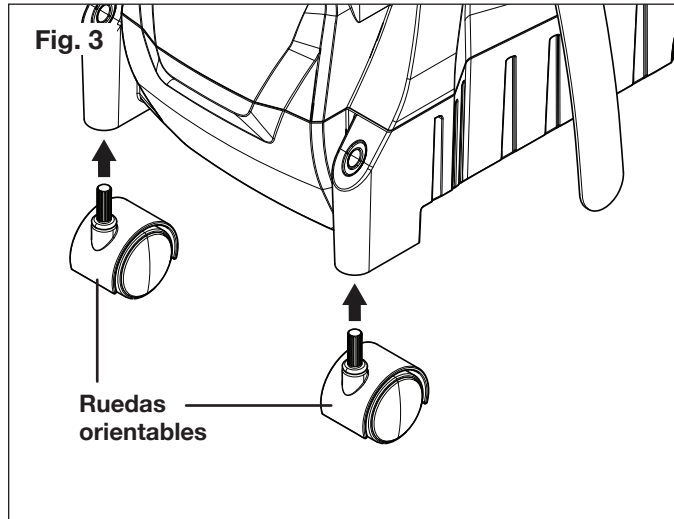


2. Conecte el ensamblado de la vara rociadora en la pistola y gire la pieza del extremo de la vara hasta que las dos partes estén completamente trabadas (Fig. 2).

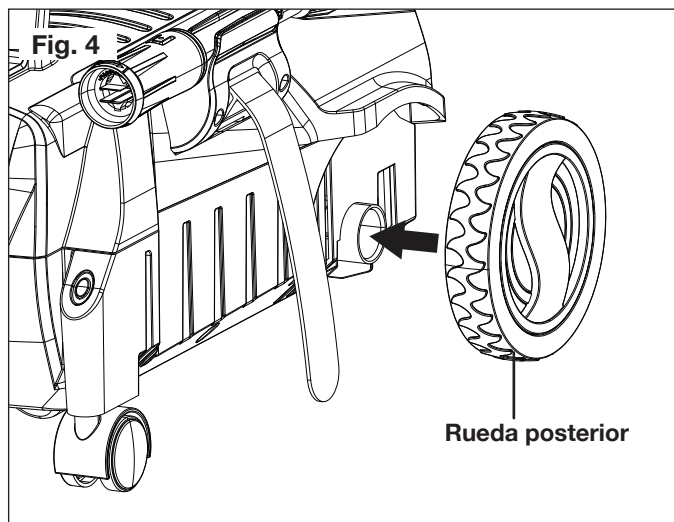


## Instalación de las ruedas

1. Instale las dos ruedas orientables en el frente de la hidrolavadora insertándolas en los dos orificios en la parte inferior de la carcasa (Fig. 3). Presione las ruedas firmemente para asegurarlas.

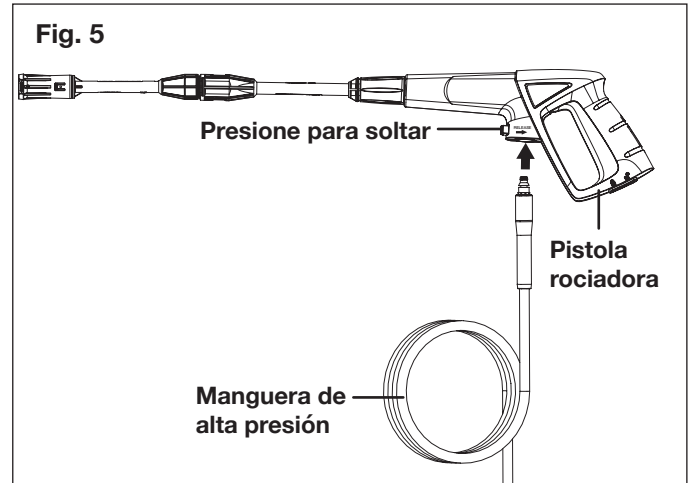


2. Inserte las ruedas posteriores más grandes en los dos orificios de los lados de la carcasa de la hidrolavadora (Fig. 4).

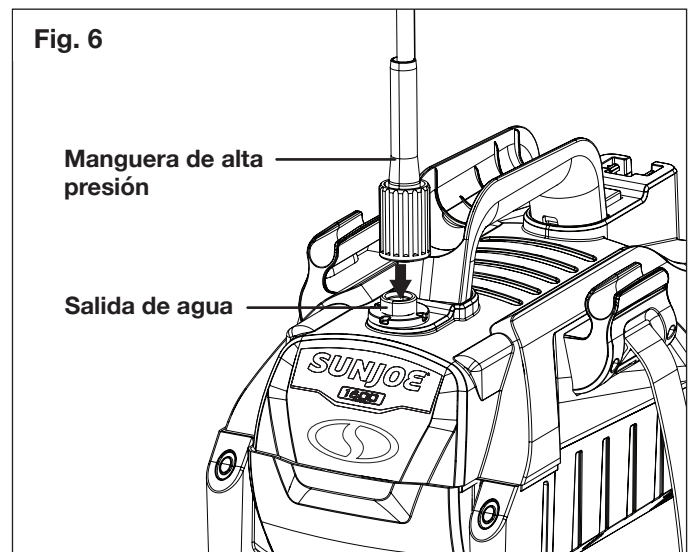


## Conecte la pistola rociadora a la hidrolavadora

1. Conecte el extremo de conexión rápida de la manguera de alta presión a la pistola rociadora (Fig. 5). Usted oír un "clic" cuando se trabe en su lugar. Para desconectar la manguera de alta presión de la pistola rociadora, presione el botón de destrabado en la pistola rociadora.



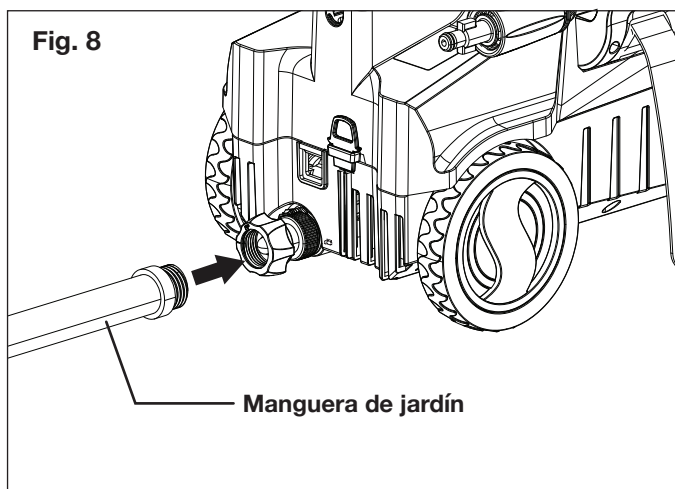
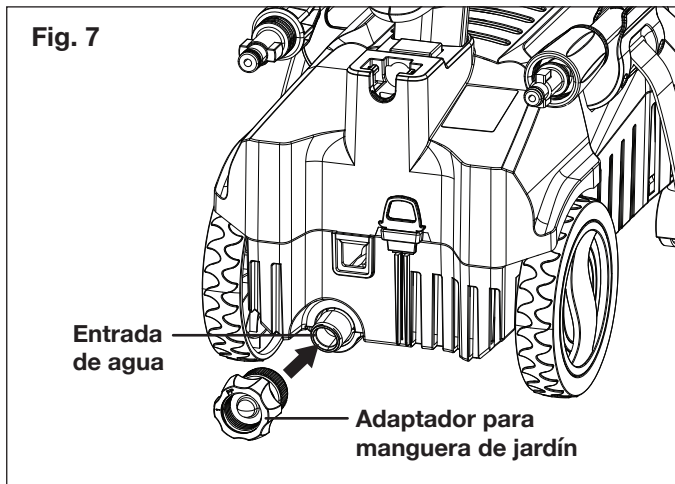
2. Conecte el otro extremo de la manguera de alta presión a la salida de agua en la hidrolavadora (Fig. 6). Primero, empuje el extremo de la manguera de alta presión por completo hacia la salida de agua de alta presión, y luego atornillelo en sentido horario.



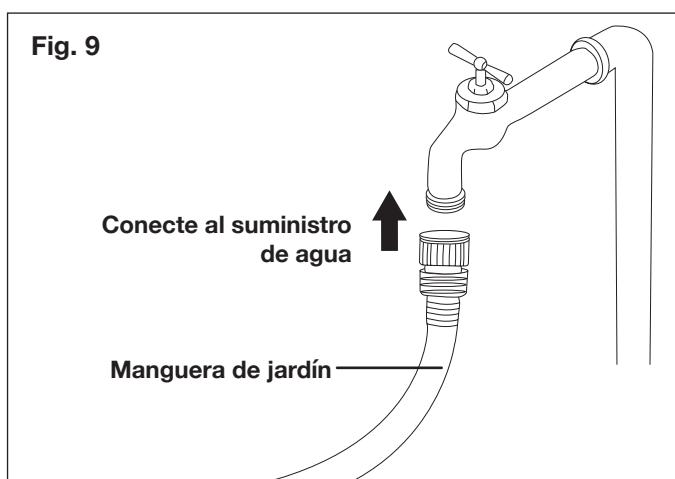
**⚠ ¡ADVERTENCIA!** Mantenga la manguera alejada de objetos afilados. La explosión de una manguera puede causar lesiones personales. Examine las mangueras regularmente y reemplácelas si están dañadas. No intente reparar una manguera dañada.

3. Conecte el adaptador de la manguera de jardín (acoplador hembra) a la entrada de agua de la hidrolavadora. Luego, enrosque la manguera de jardín (extremo macho) al adaptador de manguera de jardín (Figs. 7 y 8). La manguera de jardín deberá tener un diámetro interno de al menos 13 mm (0.5 plg) y debe estar reforzada. El suministro de agua debe ser por lo menos igual a la capacidad de entrega de la hidrolavadora.

**NOTA:** la máquina no ha sido diseñada para ser conectada a redes de suministro de agua potable.



4. Conecte la manguera de jardín al suministro de agua (Fig. 9).



**¡ADVERTENCIA!** No la conecte a la red de agua potable.

**¡ADVERTENCIA!** Si se hace una conexión a la red de agua potable, el sistema deberá estar protegido contra reflujo.

**¡ADVERTENCIA!** La temperatura del agua de entrada no debe exceder los 104°F (40°C). La presión del suministro de agua no debe exceder 0.7 MPa.

**¡PRECAUCIÓN!** La hidrolavadora solo debe ser usada con agua limpia. El uso de agua sin filtrar, conteniendo químicos corrosivos, dañará la hidrolavadora eléctrica.

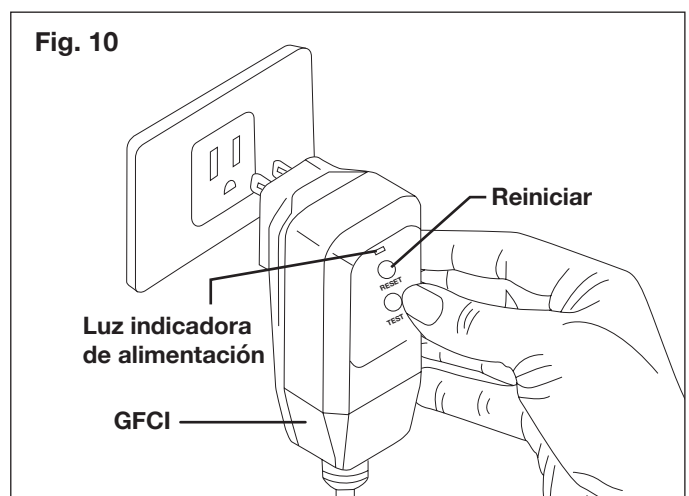
**¡PRECAUCIÓN!** Para evitar dañar el artefacto, no permita que opere sin agua. Antes de encender el artefacto, asegúrese de que tenga un suministro adecuado y estable de agua.

5. Verifique que el interruptor del motor esté en la posición de apagado ("0") antes de enchufar la unidad al tomacorriente.

## Operación

**¡IMPORTANTE!** Esta hidrolavadora eléctrica está equipada con un micro-interruptor sensible al caudal de agua. Este Sistema de Parada Total (*Total Stop System* o TTS) detecta el caudal de agua en la bomba. Cuando se suelta el gatillo, el agua deja de fluir a través de la bomba. El TTS entonces apaga el motor de forma automática para evitar que la bomba se sobrecaliente, ahorrando así energía y prolongando el ciclo de vida útil de la bomba.

1. Compruebe que la tensión y la frecuencia (V y Hz) del suministro de energía correspondan a aquellas indicadas en la placa de especificaciones. Si la fuente de alimentación es la correcta, usted puede conectar la hidrolavadora al tomacorriente (Fig. 10).



**NOTA:** es posible que el GFCI tenga que reiniciarse al enchufarlo por primera vez al tomacorriente. Presione el botón "Reset" ("reinicio") hasta que se encienda la luz indicadora de alimentación del GFCI.

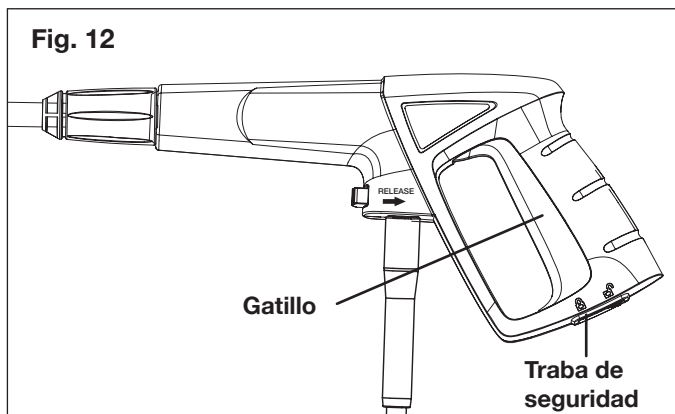
2. Coloque la hidrolavadora eléctrica TAN CERCA como sea posible de la fuente de suministro de agua.



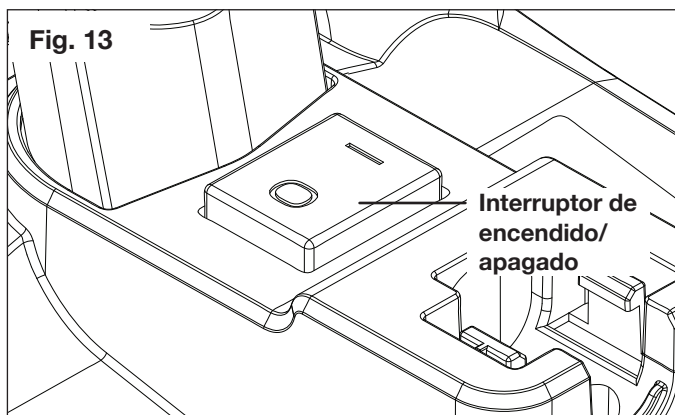
3. La hidrolavadora debe ser usada en una superficie segura y estable, en una posición vertical (Fig. 11).



4. Abra por completo la llave de agua.
5. Destrahe la traba de seguridad, luego apriete el gatillo por unos segundos hasta que el flujo de agua se estabilice. Operar la hidrolavadora de esta forma permitirá que el aire escape y se descargue la presión residual en la manguera (Fig. 12). Suelte el gatillo luego de que toda la presión haya sido descargada.



6. Manteniendo el gatillo presionado, coloque el interruptor en la posición de encendido (I) para encender la hidrolavadora (Fig. 13).



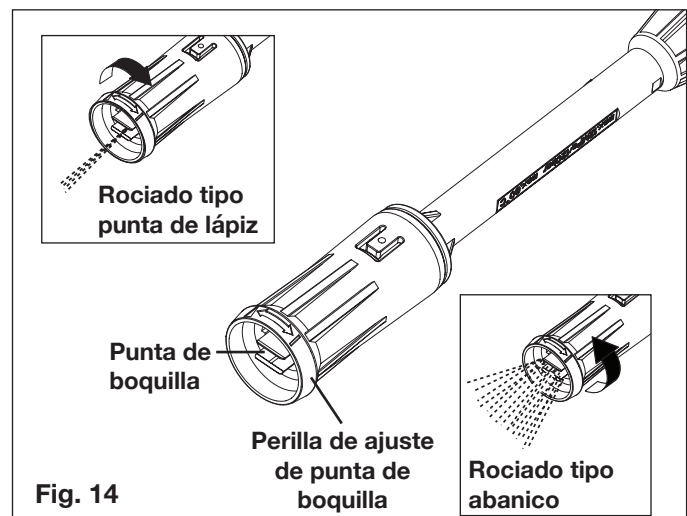
7. Al volver a encender el motor, mantenga siempre el gatillo presionado.

**NOTA:** el motor solo funciona cuando el gatillo se aprieta apretado, y se apaga cuando el gatillo se suelta.

## Uso de la vara rociadora ajustable

**⚠ ¡ADVERTENCIA!** Los chorros de alta presión pueden ser peligrosos si se manipulan incorrectamente. El chorro no deberá estar dirigido a personas, mascotas, equipos eléctricos activos, o al artefacto en sí.

1. La hidrolavadora está equipada con una boquilla ajustable.
2. La punta de la boquilla puede ser ajustada desde rociado punta de lápiz a rociado abanico girando la perilla de ajuste de punta de boquilla (Fig. 14).



**⚠ ¡ADVERTENCIA!** No ajuste la boquilla mientras el gatillo esté apretado. No hacerlo puede ocasionar daños.

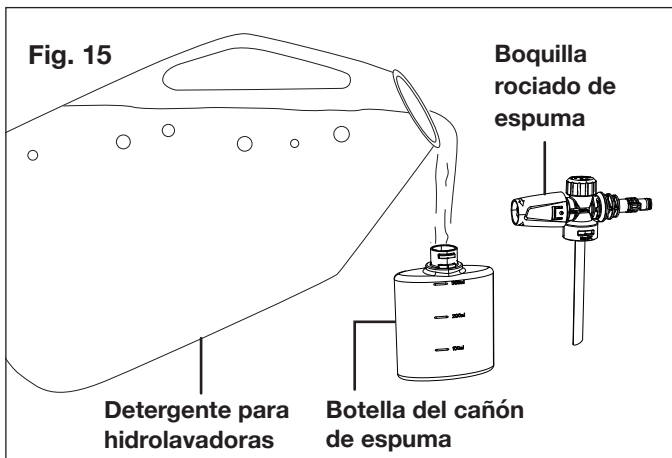
## Uso de detergentes

Al limpiar con la hidrolavadora, algunas tareas de limpieza pueden ser hechas solo usando agua, pero para la mayoría de las tareas limpiar con detergente permite retirar la suciedad de una forma más efectiva.

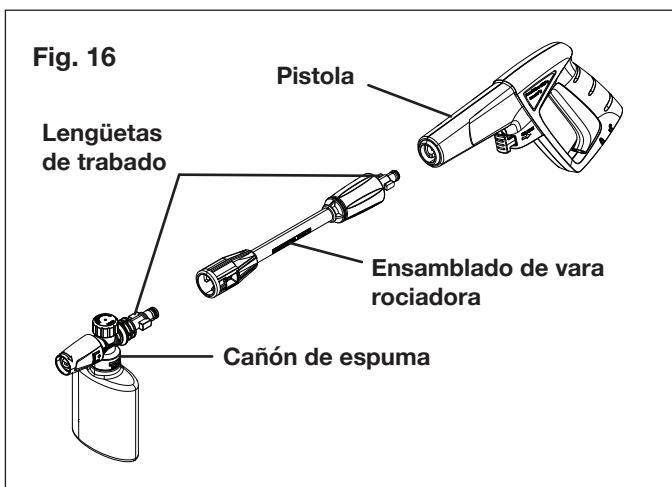
Para una potencia adicional de limpieza, la unidad viene equipada con un cañón de espuma.

**⚠ ¡ADVERTENCIA!** Use solo detergentes específicamente formulados para hidrolavadoras tales como el limpiador concentrado de casas y terrazas para hidrolavadoras Sun Joe® (SPX-HDC1G), el detergente y limpiador en espuma Premium de autos para hidrolavadoras Sun Joe® (SPX-FCS1G), o el limpiador y desengrasador multipropósito de alto rendimiento para hidrolavadoras Sun Joe® (SPX-APC1G). **NO USE** detergentes caseros, ácidos, soluciones alcalinas, lejía, solventes, materiales inflamables o soluciones de grado industrial ya que pueden dañar la hidrolavadora. Muchos detergentes pueden requerir ser mezclados antes de su uso. Prepare la solución de limpieza tal como se indica en la botella de la solución.

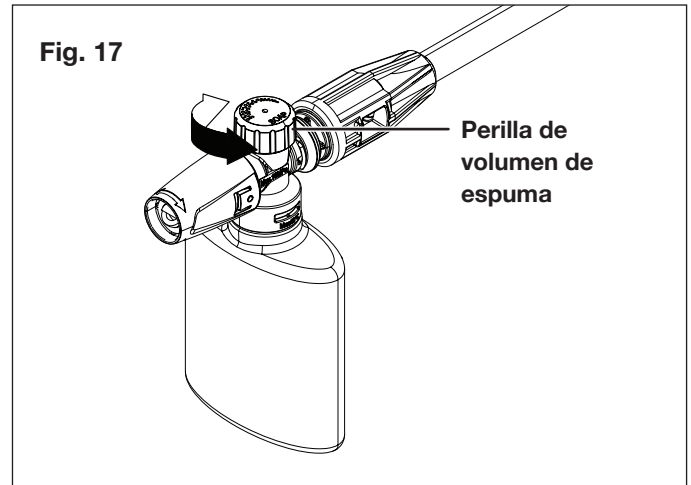
1. Retire la boquilla rociadora de espuma, y llene la botella del cañón de espuma con detergente formulado específicamente para su uso con hidrolavadoras (Fig. 15).



2. Vuelva a colocar la tapa de la botella y conéctela a la pistola a través del ensamblado de vara rociadora. Usando las lengüetas de trabado, gire en sentido horario para trabar cada componente en su lugar (Fig. 16).



3. El cañón de espuma está equipado con una perilla de volumen de espuma. Siga las instrucciones tal como se indica para usar la perilla de volumen de espuma (Fig. 17).



4. Aplique el detergente desde abajo hacia arriba en la superficie seca a ser limpiada. Aplicar detergente de esta forma disolverá la suciedad de forma más eficiente.

**NOTA:** no se recomienda mojar la superficie primero ya que esto diluye el detergente, reduciendo su capacidad limpiadora.

**⚠ ¡PRECAUCIÓN!** Pruebe siempre el detergente en un área no visible antes de usarlo.

5. Permita que el detergente permanezca en la superficie por un corto tiempo antes de enjuagarlo con el chorro de la hidrolavadora. No permita que el detergente se seque en la superficie.

**⚠ ¡PRECAUCIÓN!** Las superficies pintadas se pueden dañar si el detergente se deja secar sobre estas. Lave y enjuague un área pequeña por vez. Evite trabajar en superficies calientes o bajo la luz directa del sol.

6. Enjuague con agua limpia. Al trabajar en una superficie vertical, lave de abajo hacia arriba, luego enjuague de arriba hacia abajo para evitar la aparición de manchas. Sujete la boquilla a una distancia de 6 a 8 pulgadas de la superficie de trabajo, a un ángulo de 45°.

**⚠ ¡IMPORTANTE! NUNCA USE:**

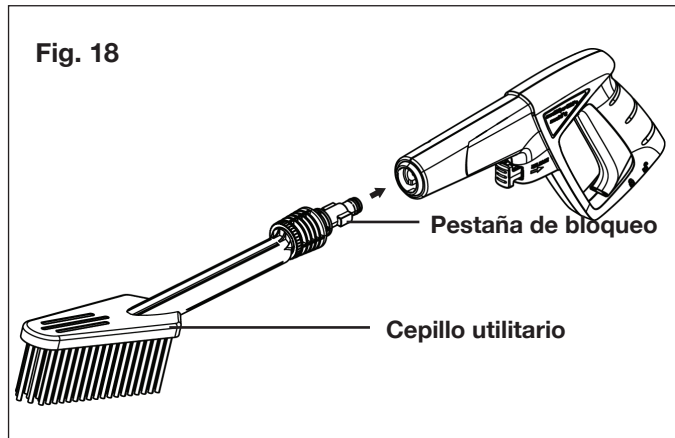
- Lejía, productos con cloro y otros químicos corrosivos;
- Líquidos que contengan solventes (p. ej., diluyentes de pintura, gasolina o grasa);
- Productos de fosfato trisódico;
- Productos con amoníaco; o
- Productos a base de ácidos.

Estas sustancias dañarán la unidad y la superficie siendo limpiada.

## Uso del cepillo utilitario para lavadora a presión con cerdas de plumas

El cepillo utilitario de lavadora a presión con cerdas de plumas Sun Joe® limpia de manera segura las superficies pintadas, con acabado y delicadas. Compatible con todas las lavadoras a presión de la serie Sun Joe® SPX.

1. Si aún no lo ha hecho, desconecte la varilla rociadora de la pistola de gatillo.
2. Tome el cepillo utilitario y alinee las dos lengüetas con el interior de la pistola de gatillo (Fig. 18).

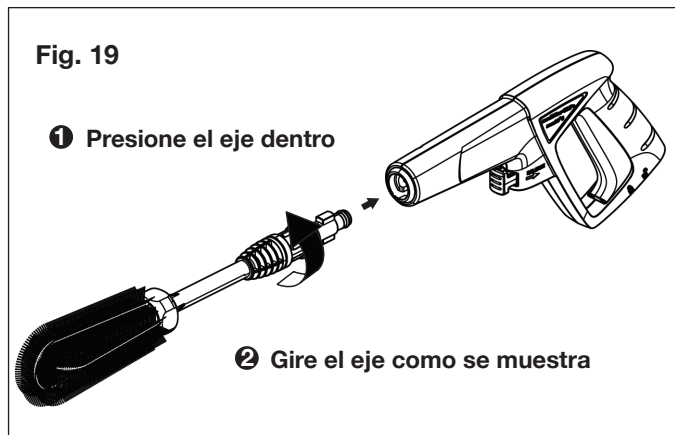


3. Una vez alineado, empuje el cepillo utilitario en la pistola de gatillo, gírelo en sentido contrario a las agujas del reloj para que encaje en su lugar.

## Uso del cepillo para ruedas y llantas

El cepillo para llantas y llantas Sun Joe® limpia llantas y llantas de manera segura. Compatible con todas las lavadoras a presión de la serie Sun Joe® SPX.

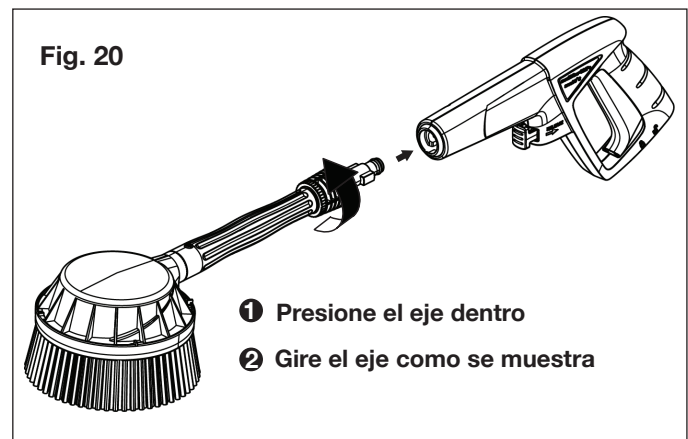
1. Desconecte la varilla rociadora de la pistola de gatillo presionándola firmemente y girándola en el sentido de las agujas del reloj hasta que las 2 lengüetas de bloqueo de la lanza se puedan quitar de la ranura.
2. Coja el cepillo rueda + llanta y alinee las dos lengüetas con el interior de la pistola (Fig. 19).
3. Una vez alineados, empuje el cepillo de rueda + llanta en la pistola de gatillo, gírelo en sentido contrario a las agujas del reloj para bloquearlo en su lugar.



## Uso del limpiador de superficies giratorio

El cepillo giratorio Sun Joe® limpia de forma segura las superficies pintadas, de acabado y delicadas. Compatible con todas las lavadoras a presión de la serie Sun Joe® SPX.

1. Desconecte la varilla rociadora de la pistola de gatillo presionándola firmemente y girándola en el sentido de las agujas del reloj hasta que las 2 lengüetas de bloqueo de la lanza se puedan quitar de la ranura.
2. Tome el cepillo giratorio y alinee las dos lengüetas con el interior de la pistola de gatillo (Fig. 20).
3. Una vez alineado, empuje el cepillo giratorio en la pistola de gatillo, gírelo en sentido contrario a las agujas del reloj para que encaje en su lugar.



## Apagando

1. Empuje el interruptor a la posición APAGADO (0) y desenchufe el cable de alimentación del tomacorriente.
2. Cierra la fuente de agua.
3. Sostenga el gatillo para liberar la presión del agua.
4. Desconecte la manguera de jardín de la entrada de agua de la unidad.
5. Desconecte la conexión de la manguera de alta presión en el mango de la pistola.
6. Suelte el gatillo y active el bloqueo de seguridad de la pistola.

**⚠ ¡ADVERTENCIA!** Cierre el suministro de agua y apriete el gatillo para despresurizar la unidad. El no hacerlo podría resultar en lesiones personales debido a la descarga de agua a alta presión.

## Tomando un descanso

Si se toma un descanso de cinco minutos o más entre tareas de limpieza:

1. Enganche el bloqueo de seguridad de la pistola (Fig. 12).
2. Empuje el interruptor a la posición APAGADO (0).
3. Desenchufe el cable de alimentación de la toma de corriente.

## Apagado

1. Mueva el interruptor a la posición de apagado (0) y desenchufe el cable de alimentación del tomacorriente.
2. Cierre la llave de suministro de agua.
3. Apriete el gatillo para liberar la presión de agua.
4. Desconecte la manguera de jardín de la entrada de agua en la unidad.
5. Desconecte la manguera de alta presión del mango de la pistola.
6. Suelte el gatillo y active la traba de seguridad de la pistola.

**⚠ ¡ADVERTENCIA!** Cierre la llave de suministro de agua y apriete el gatillo para despresurizar la unidad. No hacerlo puede resultar en lesiones personales debido a la descarga de agua a alta presión.

## Cuando se detenga a descansar

Si usted se va a tomar un descanso de cinco minutos o más entre trabajos de limpieza:

1. Active la traba de seguridad de la pistola (Fig. 12).
2. Mueva el interruptor a la posición de apagado (0).
3. Desenchufe el cable de alimentación del tomacorriente.

## Almacenamiento

**⚠ ¡PRECAUCIÓN!** Guarde siempre su hidrolavadora eléctrica en un lugar donde la temperatura no descienda a menos de 32°F (0°C). La bomba de esta máquina es susceptible a un daño permanente si se congela. **EL DAÑO POR CONGELACIÓN NO ESTÁ CUBIERTO POR LA GARANTÍA.**

- Guarde la hidrolavadora en interiores, en un lugar seco y cubierto, donde el clima no pueda dañarla.
- Es importante guardar este producto en un área sin riesgo de congelación.
- Vacíe siempre el agua de todas las mangueras, bomba y la botella de detergente antes de guardar la máquina.

**⚠ ¡PRECAUCIÓN!** El uso de un protector de bomba es recomendado para evitar daños por congelación durante el almacenamiento en los meses de invierno.

## Almacenamiento en: invierno y a largo plazo

Si usted debe guardar su hidrolavadora eléctrica en un lugar donde la temperatura sea menor de 32°F (0°C), usted puede minimizar el riesgo de daños a su máquina utilizando el siguiente procedimiento:

- Desconecte todas las conexiones de agua.
- Encienda la máquina por algunos segundos hasta que salga el agua restante de la bomba. Apáguela inmediatamente.

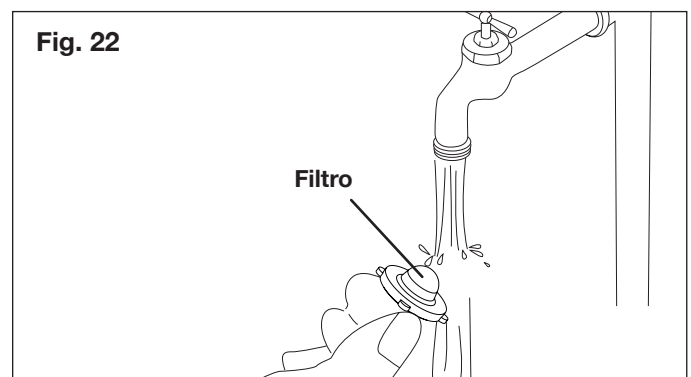
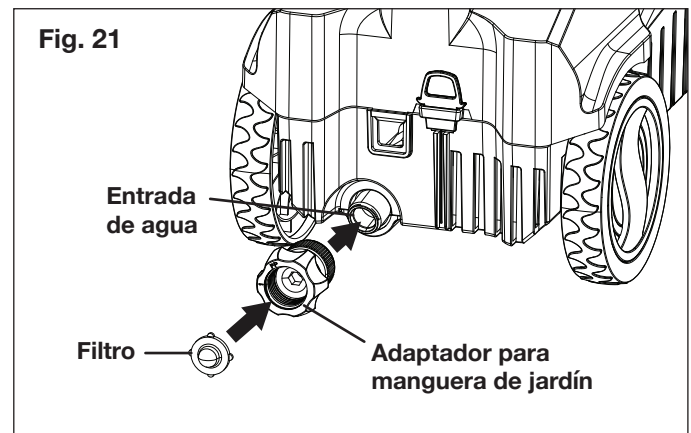
- No permita que la manguera de alta presión se retuerza o pliegue.
- Guarde la máquina y los accesorios en una habitación cuya temperatura no descienda al punto de congelación.
- No guarde la unidad cerca de hornos u otras fuentes de calor, ya que los sellos de la bomba se pueden secar.
- Opere la hidrolavadora eléctrica con anticongelante no corrosivo/no tóxico, rescatador o protector de bomba antes de guardarla durante el invierno.

**⚠ ¡ADVERTENCIA!** Antes de volverla a usar, enjuáguela por completo con agua limpia. El anti-congelante puede dañar las pinturas de las superficies, así que debe asegurarse de que no haya anticongelante en el sistema antes de volverlo a usar.

## Mantenimiento

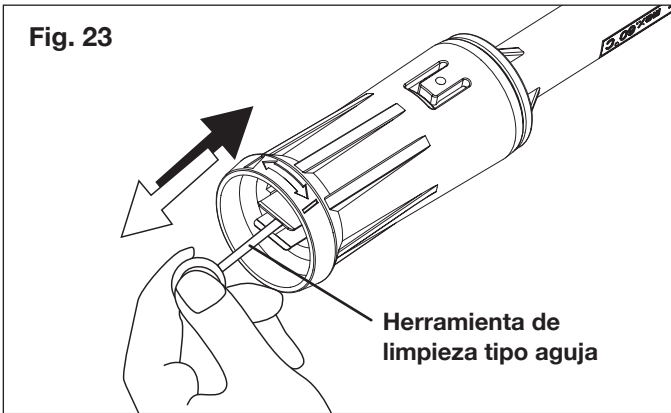
**⚠ ¡PRECAUCIÓN!** Antes de realizar cualquier trabajo de mantenimiento en la hidrolavadora eléctrica, apáguela y desconecte el enchufe del tomacorriente.

1. Para asegurar un buen rendimiento, verifique y limpie el filtro (Fig. 21). Retire el adaptador de manguera de jardín y el filtro. Enjuague el filtro con agua tibia para evitar que cualquier material extraño obstruya la bomba (Fig. 22).



2. Limpie la boquilla con la herramienta de limpieza tipo aguja suministrada (Fig. 23). Retire la vara rociadora de la pistola; retire cualquier suciedad del agujero de la boquilla y enjuague.

Fig. 23



## Eliminación

### Reciclado de la hidrolavadora

- No se deshaga de artefactos eléctricos como si fueran residuos urbanos sin clasificar. Use instalaciones de recolección aparte.
- Contacte a su agencia gubernamental local para obtener información sobre los sistemas de recolección disponibles.
- Si los artefactos eléctricos son desechados en rellenos sanitarios o basureros, las sustancias peligrosas pueden fugarse en el agua subterránea y entrar en la cadena alimentaria, dañando su salud y bienestar.
- Al reemplazar artefactos viejos con nuevos, el vendedor está obligado legalmente a aceptar su artefacto viejo para su eliminación, sin costo alguno por parte de usted.

## Servicio y soporte

Si su hidrolavadora eléctrica SPX3160P-SJG de Sun Joe® requiere reparación o mantenimiento, comuníquese con la central de servicio al cliente de Snow Joe® + Sun Joe® llamando al 1-866-SNOWJOE (1-866-766-9563).

## Modelo y número de serie

Al contactar a la empresa, ordenar partes de repuesto o programar una reparación en un centro autorizado, usted necesitará proporcionar el modelo y número de serie, los cuales se encuentran en la etiqueta ubicada en la carcasa de la unidad. Copie estos números en el espacio proporcionado a continuación.

Registre los siguientes números que se encuentran en la carcasa o mango de su nuevo producto:

Modelo:

S | P | X | 3 | 1 | 6 | 0 | P | - | S | J | G | | | | | | | | | | | |

Nº de serie:

| | | | | | | | | | | | | | | | | | | | | | | |


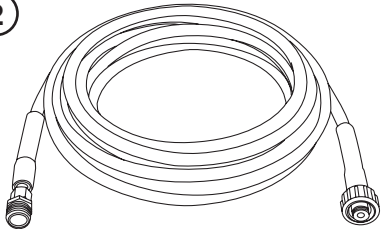
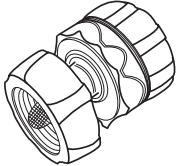
# Solución de problemas

- Desconecte la unidad de la fuente de alimentación antes de llevar a cabo tareas de mantenimiento en la máquina o comprobar que sus partes estén funcionando correctamente.
- Para evitar complicaciones innecesarias, revise la siguiente tabla antes de ponerse en contacto con la central de servicios al cliente por cualquier problema mecánico.

Problema	Causa posible	Solución posible
La máquina no enciende	<ul style="list-style-type: none"> <li>• Falla eléctrica/unidad no enchufada en tomacorriente activo.</li> <li>• Enchufe defectuoso.</li> <li>• Se fundió el fusible.</li> </ul>	<ul style="list-style-type: none"> <li>• Verifique que la unidad esté enchufada en un tomacorriente activo.</li> <li>• Verifique el cable de alimentación y restablezca el GFCI. Pruebe otro tomacorriente.</li> <li>• Reemplace el fusible. Apague cualquier otra máquina que esté usando el mismo circuito.</li> </ul>
Presión fluctuante	<ul style="list-style-type: none"> <li>• Bomba absorbiendo aire.</li> <li>• Las válvulas están sucias, gastadas o atascadas.</li> <li>• Los sellos de la bomba están desgastados.</li> </ul>	<ul style="list-style-type: none"> <li>• Verifique que las mangueras y conexiones sean herméticas.</li> <li>• Limpie o reemplace los sellos/válvulas.</li> <li>• Comuníquese con la central de servicio al cliente Snow Joe® + Sun Joe® llamando al 1-866-SNOWJOE (1-866-766-9563) para recibir asistencia.</li> </ul>
La máquina se detiene	<ul style="list-style-type: none"> <li>• Se fundió el fusible.</li> <li>• Voltaje de red incorrecto.</li> <li>• El sensor térmico está activado.</li> <li>• La boquilla está parcialmente obstruida.</li> </ul>	<ul style="list-style-type: none"> <li>• Reemplace el fusible. Apague las otras máquinas que estén usando el mismo circuito.</li> <li>• Verifique que el voltaje de la red corresponda a las especificaciones en la placa del modelo.</li> <li>• Deje que la hidrolavadora eléctrica se enfríe por cinco minutos.</li> <li>• Limpie la boquilla.</li> </ul>
El fusible se fundió	<ul style="list-style-type: none"> <li>• El fusible es muy pequeño.</li> </ul>	<ul style="list-style-type: none"> <li>• Instale un fusible con un valor nominal de amperaje mayor que el consumido por la máquina.</li> </ul>
La máquina está palpitando	<ul style="list-style-type: none"> <li>• Aire en la manguera de entrada.</li> <li>• Suministro de red de agua inadecuado.</li> <li>• La boquilla está parcialmente obstruida.</li> <li>• El filtro de entrada de agua está obstruido.</li> <li>• La manguera está plegada o retorcida.</li> </ul>	<ul style="list-style-type: none"> <li>• Permita que la máquina funcione apretando el gatillo hasta que vuelva la presión regular de trabajo.</li> <li>• Verifique que la fuente de suministro de agua corresponda a las especificaciones requeridas.</li> <li>• <b>¡ADVERTENCIA!</b> Evite usar mangueras largas y delgadas (deben tener un mínimo de 1/2 pulgada de diámetro).</li> <li>• Limpie la boquilla.</li> <li>• Limpie el filtro de entrada de agua.</li> <li>• Enderece la manguera para quitar los pliegues/trabados.</li> </ul>
La máquina generalmente se enciende y apaga por sí sola	<ul style="list-style-type: none"> <li>• Hay fugas en la bomba o pistola rociadora.</li> <li>• El mecanismo del gatillo está descompuesto.</li> </ul>	<ul style="list-style-type: none"> <li>• Llame a la central de servicio al cliente Snow Joe® + Sun Joe® al 1-866-SNOWJOE (1-866-766-9563) para recibir asistencia.</li> </ul>
La máquina se enciende pero no sale agua	<ul style="list-style-type: none"> <li>• La bomba, las mangueras o los accesorios están congelados.</li> <li>• No hay caudal de agua.</li> <li>• El filtro de entrada de agua está obstruido.</li> <li>• La boquilla está obstruida.</li> </ul>	<ul style="list-style-type: none"> <li>• Espere que la bomba, las mangueras o los accesorios se descongelen.</li> <li>• Conecte a la entrada de agua.</li> <li>• Limpie el filtro de entrada de agua.</li> <li>• Limpie la boquilla.</li> </ul>

## Accesorios opcionales

**⚠ ¡ADVERTENCIA!** USE SIEMPRE solo partes de repuesto y accesorios Snow Joe® + Sun Joe®. NUNCA use partes de repuesto o accesorios que no hayan sido diseñados para su uso con esta hidrolavadora eléctrica. Comuníquese con Snow Joe® + Sun Joe® si tiene dudas sobre si es seguro usar una parte de repuesto o accesorio en particular con su hidrolavadora eléctrica. El uso de cualquier otro accesorio o parte puede ser peligroso y causar lesiones personales o daños mecánicos.

Accesorio	Descripción	Modelo
<p>1</p> 	<p>Limpiador concentrado de casas y terrazas para hidrolavadoras Sun Joe®</p> <p>Detergente y limpiador en espuma Premium de autos para hidrolavadoras Sun Joe®</p> <p>Limpiador y desengrasador multipropósito de alto rendimiento para hidrolavadoras Sun Joe®</p>	<p>SPX-HDC1G</p> <p>SPX-FCS1G</p> <p>SPX-APC1G</p>
<p>2</p> 	<p>Manguera de extensión de 25 pies para trabajos moderados de hidrolavadoras de la serie SPX</p>	<p>SPX-25H</p>
<p>3</p> 	<p>Acoplador universal de conexión rápida y latón macizo (adaptador de manguera de jardín a hidrolavadora)</p>	<p>SPX-UQC</p>

¡La línea completa de hidrolavadoras y accesorios de alta calidad de Sun Joe le facilita sus trabajos sucios y difíciles, optimizando al máximo su modelo!

**COMPRE AHORA en [sunjoe.com](http://sunjoe.com)**

**NOTA:** los accesorios están sujetos a cambios sin obligación alguna por parte de Snow Joe® + Sun Joe® de notificar sobre dichos cambios. Los accesorios pueden ser pedidos en línea en [sunjoe.com](http://sunjoe.com) o vía telefónica llamando a la central de servicio al cliente Snow Joe® + Sun Joe® al 1-866-SNOWJOE (1-866-766-9563).



## LA PROMESA DE SNOW JOE® + SUN JOE® AL CLIENTE

**POR SOBRE TODO**, en Snow Joe, LLC (“Snow Joe”) estamos dedicados a usted, nuestro cliente. Nos esforzamos por hacer que su experiencia sea lo más placentera posible. Desafortunadamente, hay veces en que un producto Snow Joe®, Sun Joe®, o Aqua Joe® (el “Producto”) no funciona o sufre un desperfecto bajo condiciones normales de operación. Creemos que es importante que usted sepa que puede confiar en nosotros. Es por eso que tenemos esta Garantía Limitada (la “Garantía”) para nuestros Productos.

### **NUESTRA GARANTÍA:**

Snow Joe garantiza que sus Productos motorizados y no motorizados, nuevos y genuinos, están libres de defectos materiales o de mano de obra al ser usados en tareas domésticas normales durante un periodo de dos (2) años a partir de la fecha de compra por parte del comprador original y usuario final, cuando este último los compra a través de Snow Joe o un vendedor autorizado por Snow Joe y ha obtenido un comprobante de compra. Ya que Snow Joe no puede controlar la calidad de sus Productos vendidos por vendedores no autorizados, a menos que la ley lo prohíba esta Garantía no cubre Productos adquiridos a través de vendedores no autorizados. Si su Producto no funciona, o hay un problema con una parte específica que está cubierta por los términos de esta Garantía, Snow Joe elegirá entre: (1) enviarle una parte de repuesto gratuita; (2) reemplazar el Producto con uno nuevo o similar sin costo alguno; o (3) reparar el Producto. ¡Un excelente soporte!

**Esta Garantía le da derechos legales específicos, y usted puede también tener otros derechos según el Estado.**

### **REGISTRO DEL PRODUCTO:**

Snow Joe le recomienda enfáticamente registrar su Producto. Usted puede registrar su Producto en línea visitando [snowjoe.com/register](http://snowjoe.com/register), imprimiendo y enviando por correo una tarjeta de registro disponible en línea en nuestro sitio Web, llamando a nuestra central de servicio al cliente al **1-866-SNOWJOE (1-866-766-9563)**, o enviándonos un e-mail a [help@snowjoe.com](mailto:help@snowjoe.com). Si usted no registra su Producto sus derechos de garantía no disminuirán; sin embargo, registrar su Producto permitirá que Snow Joe le pueda atender mejor si usted tiene alguna necesidad como cliente.

### **¿QUIÉN PUEDE SOLICITAR COBERTURA DE GARANTÍA LIMITADA?**

Esta Garantía es otorgada por Snow Joe al comprador original y propietario original del Producto.

### **¿QUÉ NO ESTÁ CUBIERTO?**

Esta Garantía no se aplica si el Producto ha sido usado de forma comercial o en aplicaciones no domésticas o de alquiler. Esta Garantía tampoco se aplica si el Producto fue adquirido desde un vendedor no autorizado. Esta garantía tampoco cubre cambios cosméticos que no afecten el funcionamiento del Producto. Las partes desgastables como correas, brocas y cuchillas no están cubiertas por esta Garantía, y pueden ser compradas visitando [snowjoe.com](http://snowjoe.com) o llamando al **1-866-SNOWJOE (1-866-766-9563)**.





## IMPORTANT!

### Consignes de sécurité

**Tous les utilisateurs doivent lire ces instructions avant d'utiliser la machine.**

**⚠️ AVERTISSEMENT!** Ceci indique une situation dangereuse qui, en l'absence de précautions, pourrait entraîner des blessures graves, voire même fatales.

**⚠️ MISE EN GARDE!** Ceci indique une situation dangereuse qui, en l'absence de précautions, pourrait entraîner des blessures mineures ou modérément graves.

**⚠️ DANGER!** Ceci indique une situation dangereuse qui, en l'absence de précautions, entraînera des blessures graves, voire même fatales.

## Sécurité générale

**⚠️ AVERTISSEMENT!** Cette machine n'est pas destinée à être utilisée par des enfants ou par des personnes qui ne sont ni assistées ni supervisées et dont les capacités physiques, sensorielles ou mentales les empêchent de l'utiliser sans danger. Les enfants doivent toujours être supervisés pour s'assurer qu'ils ne jouent pas avec la machine.

Avant de démarrer votre machine, veuillez l'inspecter soigneusement pour vérifier si elle présente d'éventuels défauts. Si vous constatez un défaut, ne démarrez pas votre machine. Communiquez avec un revendeur Snow Joe® + Sun Joe® agréé ou appelez le service à la clientèle Snow Joe® + Sun Joe® au 1-866-SNOWJOE (1-866-766-9563).

**⚠️ AVERTISSEMENT!** Lors de l'utilisation du nettoyeur haute pression, les précautions de sécurité élémentaires doivent toujours être suivies afin de réduire le risque d'incendie, d'électrocution ou de dommages corporels. Il s'agit des précautions suivantes :

- **Apprendre à bien connaître la machine** – Sachez comment arrêter la machine et comment relâcher rapidement la pression. Familiarisez-vous complètement avec les commandes.
- **Maintenir les spectateurs à bonne distance** – Tous les visiteurs et les animaux familiers doivent être maintenus à bonne distance de la zone de travail.

- **Utiliser la bonne machine** – N'utilisez pas cette machine pour des travaux différents de ceux auxquels elle est destinée.
- **S'habiller en conséquence** – Ne portez ni vêtements amples ni bijoux. Ils peuvent être happés par les pièces mobiles. Pour tout travail à l'extérieur, il est recommandé de porter des gants de protection en caoutchouc et des chaussures antidérapantes.
- **MISE EN GARDE!** – Faire très attention pour éviter de glisser ou de tomber. Porter des chaussures de protection pour se protéger les pieds et avoir une meilleure prise sur les surfaces glissantes.
- **Rester vigilant** – Surveillez ce que vous faites. Faites preuve de bon sens. N'utilisez pas le nettoyeur haute pression quand vous êtes fatigué ou si vous avez consommé de l'alcool ou de la drogue.
- **Ne pas s'arc-bouter** – Restez en permanence sur les deux pieds pour ne pas perdre l'équilibre.
- **Prévenir les démarrages accidentels** – Ne transportez pas la machine branchée en ayant le doigt sur la gâchette. Avant de brancher la machine, assurez-vous que l'interrupteur est à la position d'arrêt.
- **Ne pas utiliser le cordon à mauvais escient** – Ne tirez jamais la machine par le cordon et ne tirez pas brusquement sur le cordon pour le retirer de la prise. Maintenez le cordon éloigné de la chaleur, de l'huile et des objets tranchants.
- **Porter des lunettes de sécurité** – Portez également des chaussures de protection, des vêtements serrés près du corps, des gants de protection, des protecteurs d'oreilles et une protection de la tête.
- **Vérifier la température de l'eau** – Ce nettoyeur haute pression n'est pas destiné à pomper de l'eau chaude. Pour éviter de réduire considérablement la durée de vie de la pompe, ne raccordez **JAMAIS** le nettoyeur haute pression à un réseau d'alimentation en eau chaude.
- **Remiser la machine à l'intérieur** – Ne remisez **JAMAIS** le nettoyeur haute pression à l'extérieur où dans un endroit où il pourrait geler. La pompe pourrait être gravement endommagée.
- **Disjoncteur différentiel de fuite de terre (DDFT)** – Une protection par disjoncteur de fuite de terre doit équiper les circuits ou les prises utilisés pour ce nettoyeur haute pression. Des prises intégrant un DDFT sont offertes et peuvent être utilisées pour répondre à cette mesure de sécurité.

- **Inspecter les câbles électriques** – L'isolation du cordon d'alimentation doit être parfaitement intacte. Si le cordon d'alimentation est endommagé ou présente des signes d'usure normale, n'utilisez pas le nettoyeur haute pression. Communiquez avec un revendeur Snow Joe® + Sun Joe® agréé ou appelez le service à la clientèle Snow Joe® + Sun Joe® au 1-866-SNOWJOE (1-866-766-9563).

**⚠️ AVERTISSEMENT!** Ne pas utiliser la machine sans lire les instructions de ce manuel.

**⚠️ AVERTISSEMENT!** Ce nettoyeur haute pression est fourni avec un bidon accessoire à détergent. Lors de l'utilisation de cet accessoire, assurez-vous d'utiliser les agents de nettoyage qui sont spécifiquement recommandés par le fabricant. L'utilisation d'autres agents de nettoyage ou produits chimiques peut nuire à la sécurité de la machine.

**⚠️ AVERTISSEMENT!** Ne pas utiliser la machine près d'autres personnes se trouvant dans son rayon d'action, à moins qu'elles portent des vêtements de protection.

**⚠️ AVERTISSEMENT!** Les jets à haute pression peuvent être dangereux s'ils ne sont pas utilisés à bon escient. Le jet ne doit pas être dirigé vers des personnes, des animaux familiers, du matériel électrique ou la machine elle-même.

- Pour nettoyer des vêtements ou des chaussures, ne dirigez pas le jet contre vous-même ou d'autres personnes.
- **Risque d'explosion** – Ne pulvérisez pas de liquides inflammables.
- **Risque d'injection ou de blessure pour les personnes** – ne jamais pointer le jet en direction de personnes, d'animaux familiers ou d'appareils électriques.
- **Débrancher la machine** – Avant d'effectuer la moindre tâche d'entretien, débranchez le cordon d'alimentation.
- **Maintenir les enfants à bonne distance** – Ce nettoyeur haute pression électrique ne doit pas être utilisé par des enfants ou des personnes inexpérimentées.
- Pour assurer la sécurité de la machine, utilisez uniquement des pièces de rechange d'origine du fabricant ou homologuées par le fabricant.

**⚠️ AVERTISSEMENT!** L'eau qui a traversé les dispositifs anti-siphonnement est considérée comme non potable.

**⚠️ AVERTISSEMENT!** Pendant son nettoyage, son entretien ou lors du remplacement de pièces, débrancher la machine de sa source d'alimentation électrique en retirant la fiche de la prise de courant.

**⚠️ AVERTISSEMENT!** Les flexibles haute pression, les raccords et les coupleurs sont importants pour l'utilisation sans danger de la machine. Utiliser uniquement les flexibles, raccords et coupleurs recommandés par le fabricant.

- **Vérifier s'il y a des pièces endommagées** – N'utilisez pas la machine si le cordon d'alimentation ou d'autres pièces importantes de la machine sont endommagés (p. ex., les dispositifs de sécurité, le flexible haute pression, le pistolet).
- Ce nettoyeur haute pression sans cordon ne doit pas être utilisé à des températures inférieures à 0 °C.

**⚠️ AVERTISSEMENT!** Les cordons d'alimentation doivent toujours être complètement déroulés pour les empêcher de surchauffer.

- Les branchements de cordon d'alimentation doivent toujours être maintenus au sec et jamais sur le sol.
- Si le cordon est endommagé, n'utilisez pas la machine. Communiquez avec un revendeur Snow Joe® + Sun Joe® agréé ou appelez le service à la clientèle Snow Joe® + Sun Joe® au 1-866-SNOWJOE (1-866-766-9563).
- Pendant son utilisation, sa manutention, son transport ou son remisage, maintenez la machine sur une surface plane et stable. Le renversement soudain de la machine peut être à l'origine de dommages corporels.
- En cas d'accident ou de panne, arrêtez immédiatement la machine (en cas de contact avec un détergent, rincez abondamment à l'eau propre).

## Sécurité électrique

**ATTENTION :** si des problèmes affectent le RÉSEAU électrique, une brève chute de tension peut se produire au démarrage de la machine. Ceci peut alors avoir des répercussions sur d'autres appareils (p. ex., faire vaciller une lampe). Si l'IMPÉDANCE MAXIMALE DU COURANT DU SECTEUR (Zmax) est inférieure à 0,335 ohm, il ne faut pas s'attendre à de telles perturbations (si vous avez besoin d'assistance, communiquez avec votre distributeur d'électricité local pour plus de renseignements).

**⚠️ AVERTISSEMENT!** Risque d'électrocution – Avant de démarrer la machine, l'inspecter soigneusement pour vérifier si elle présente d'éventuels défauts. Si vous constatez un défaut, ne démarrez pas votre machine. Communiquez avec un revendeur Snow Joe® + Sun Joe® agréé ou appelez le service à la clientèle Snow Joe® + Sun Joe® au 1-866-SNOWJOE (1-866-766-9563).

Les points suivants doivent être observés lors du branchement du nettoyeur haute pression électrique sur la source d'alimentation électrique :


- Le raccordement électrique au réseau doit être effectué par une personne qualifiée.

- L'alimentation électrique de cette machine doit être protégée par un dispositif différentiel à courant résiduel (DDR) qui coupera le courant si la fuite à la terre du courant est supérieure à 30 mA pendant 30 ms, ou par un dispositif qui interrompra le courant à la terre (DDFT).

**IMPORTANT :** utilisez uniquement de l'eau sans la moindre impureté.

Si du sable risque de pénétrer dans l'arrivée d'eau (p. ex., en provenance de votre propre puits), un filtre supplémentaire doit être monté.

## Intervention sur une machine ou un outil à double isolation

Les outils ou machines à double isolation sont dotés de deux systèmes d'isolation au lieu d'une mise à la terre. Aucune mise à la terre n'est prévue sur les outils ou machines à double isolation et aucune mise à la terre ne doit être ajoutée. Toute intervention sur un outil ou une machine à double isolation exige une attention extrême et une parfaite connaissance du système et doit être effectuée uniquement par du personnel technique qualifié chez un revendeur Snow Joe® + Sun Joe® agréé. Les pièces de rechange pour un outil ou une machine à double isolation doivent être identiques aux pièces d'origine. Les indications « Double Insulation » (Double isolation) ou « Double Insulated » (Doublement isolé) sont marquées sur tous les outils ou machines à double isolation. Le symbole  (carré dans un carré) peut être également marqué sur l'outil ou la machine.

## Dispositifs de sécurité

Le clapet de marche à vide peut réduire la pression si elle est supérieure aux pressions prédéfinies. Le pistolet de nettoyage présente un dispositif de verrouillage. Lorsque le verrouillage est activé, le pistolet de nettoyage ne peut pas fonctionner.

- 1. Capteur thermique** – Un capteur thermique protège le moteur contre les surcharges. La machine redémarrera au bout de quelques minutes, une fois que le capteur thermique s'est refroidi.
- 2. Protection par disjoncteur différentiel de fuite de terre (DDFT)** – Un disjoncteur de fuite de terre doit équiper le(s) circuit(s) ou la(les) prise(s) utilisés pour ce nettoyeur haute pression. Des prises intégrant un DDFT sont offertes et peuvent être utilisées pour répondre à cette mesure de sécurité.
- 3.** Il n'est pas recommandé d'utiliser une rallonge électrique avec ce nettoyeur haute pression. La machine est fournie avec un cordon d'alimentation de 10,7 m équipé d'un DDFT. L'utilisation d'une rallonge provoquera une chute de tension dans les lignes, ce qui entraînera une perte de puissance et une surchauffe.

**⚠ AVERTISSEMENT!** Pour réduire le risque d'électrocution, cette machine est munie d'une fiche polarisée (c.-à-d., une lame est plus large que l'autre). Cette fiche ne s'insère que d'une seule façon dans une prise polarisée.

- 4.** N'utilisez pas le cordon à mauvais escient. Ne tirez jamais le nettoyeur haute pression par le cordon et ne tirez pas brusquement sur le cordon pour le retirer de la prise. Maintenez le cordon éloigné de la chaleur, de l'huile et des objets tranchants.

**⚠ AVERTISSEMENT!** Pour réduire le risque d'électrocution, maintenir tous les branchements au sec et jamais sur le sol. Ne pas toucher la prise électrique les mains mouillées.

## Risque d'électrocution

- Avant de l'utiliser, inspectez le cordon.
- N'utilisez pas le cordon s'il est endommagé.
- Maintenez tous les branchements au sec et jamais sur le sol.
- Ne touchez pas la prise électrique les mains mouillées.
- Maintenez le cordon éloigné de toute source de chaleur et des objets tranchants.
- Ne dirigez pas le jet vers des appareils électriques ou des câbles.

## Risque d'explosion

- Ne dirigez pas le jet vers des liquides inflammables.
- N'utilisez pas d'acides, de bases, de solvants ou de matières inflammables dans cette machine. Ces substances peuvent blesser l'utilisateur et endommager irrémédiablement la machine.

## Consignes de sécurité supplémentaires

- Haute pression : restez éloigné de la buse.
- Risque d'injection : la machine peut être à l'origine de graves blessures si le jet pénètre dans la peau.
- Ne pointez pas le pistolet vers une personne ou une partie quelconque du corps.
- En cas de pénétration dans la peau, consultez immédiatement un médecin.
- Avant d'intervenir sur la machine, de la nettoyer ou de déposer des pièces, arrêtez-la et relâchez la pression.
- Cette machine n'est pas adaptée pour se raccorder au réseau d'eau potable.

# Description de la machine

## Finalité

- Ce nettoyeur haute pression électrique est destiné uniquement à un usage résidentiel. Il est conçu pour des travaux de nettoyage légers ou moyennement intensifs sur les bateaux, les motocycles, les VR, les VTT, les remorques, les terrasses, les barbecues, les parements, les meubles de patio, etc.

## Domaines d'applications

- N'utiliser sous aucun prétexte la machine dans les endroits où des explosions peuvent se produire!
- La température de service doit être comprise entre 0 °C et 40 °C.
- La machine se compose d'un ensemble à pompe qui est enfermé dans un boîtier amortisseur. Pour pouvoir utiliser la machine dans les meilleures conditions possible, celle-ci est équipée d'une lance de pulvérisation et d'une poignée antidérapante dont la forme et la configuration sont conformes aux réglementations en vigueur.
- Ne couvrez ni la lance de pulvérisation ni la buse de pulvérisation et n'y apportez aucune modification, quelle qu'elle soit.
- Le nettoyeur haute pression sans cordon est conçu pour être utilisé avec de l'eau froide ou tiède, l'eau à des températures plus élevées pouvant endommager la pompe.
- N'utilisez pas d'eau sale contenant des graviers ou des produits chimiques, car des impuretés de ce type pourraient perturber le fonctionnement de la machine et abréger sa durée de vie.

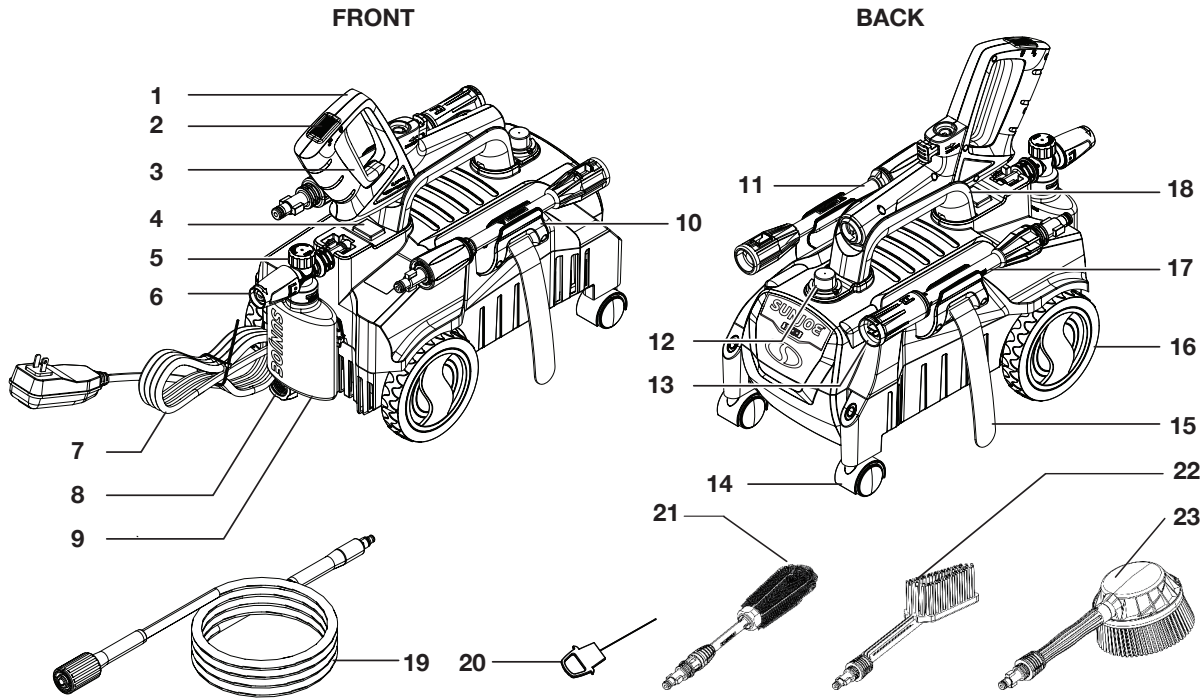
# Symboles de sécurité

Le tableau suivant décrit et explique les symboles de sécurité pouvant être marqués sur cette machine. Avant d'essayer de procéder à son assemblage et de l'utiliser, lisez, comprenez et suivez toutes les instructions sur cette machine.

Symboles	Descriptions	Symboles	Descriptions
	<b>LIRE LE OU LES MANUELS D'UTILISATION</b> – Lire, comprendre et suivre toutes les consignes de sécurité du ou des manuels avant d'essayer d'assembler et d'utiliser la machine.		<b>AVERTISSEMENT!</b> Risque d'électrocution.
	<b>ALERTE DE SÉCURITÉ</b> – Indique une précaution, un avertissement ou un danger.		<b>AVERTISSEMENT!</b> Ne pas utiliser la machine sous la pluie ou par forte humidité. Garder la machine au sec.
	<b>PORT OBLIGATOIRE DE LUNETTES DE SÉCURITÉ ET DE SERRE-TÊTE ANTIBRUIT</b> – Pour éviter de se blesser, porter des protecteurs d'oreilles et des lunettes de sécurité.		Pour réduire le risque de se blesser, l'utilisateur doit maintenir tous les spectateurs à une distance d'au moins 15 m.
	Afin de protéger les mains, porter des gants de sécurité pendant l'utilisation.		Porter des chaussures antidérapantes pour protéger les pieds et avoir une meilleure prise sur les surfaces glissantes.
	Remiser à l'intérieur. Ne jamais remiser le nettoyeur haute pression à l'extérieur. Si la pompe gèle, elle peut être irrémédiablement endommagée.		Cette machine n'est pas adaptée pour se raccorder au réseau d'eau potable.
	Toujours maintenir le cordon d'alimentation éloigné de la chaleur, de l'huile ou des objets tranchants. Retirer immédiatement la fiche du secteur si le cordon est endommagé, effiloché ou emmêlé.		<b>AVERTISSEMENT!</b> Arrêter la machine et la débrancher de la source d'alimentation avant de l'inspecter, de la nettoyer, de changer d'accessoire ou de conduire tout autre travail d'entretien.
	<b>Double isolation</b> : pour les réparations, utiliser uniquement des pièces de rechange identiques.		

# Apprenez à mieux connaître votre nettoyeur électrique haute pression

Lisez attentivement le manuel de l'utilisateur et les règles de sécurité avant d'utiliser le nettoyeur haute pression. Pour vous familiariser avec l'emplacement des différents réglages et commandes, comparez l'illustration ci-dessous avec votre nettoyeur haute pression. Conservez ce manuel pour pouvoir le consulter dans le futur.



- |   |   |                             |
|---|---|-----------------------------|
| 1. Pistolet                                       | 9. Bidon de mousse                          | 17. Lance de pulvérisation  |
| 2. Verrouillage de sécurité                       | 10. Porte-lance de pulvérisation            | 18. Porte-pistolet          |
| 3. Gâchette                                       | 11. Ensemble lance de pulvérisation         | 19. Flexible haute pression |
| 4. Interrupteur marche/arrêt                      | 12. Sortie d'eau                            | 20. Aiguille de curetage    |
| 5. Bouton de volume de mousse                     | 13. Buse de lance de pulvérisation réglable | 21. Brosse roue + jante     |
| 6. Buse de pulvérisation de mousse                | 14. Roulette (2)                            | 22. Brosse utilitaire       |
| 7. Cordon d'alimentation avec DDFT                | 15. Bande Velcro                            | 23. Brosse rotative         |
| 8. Raccord de boyau d'arrosage (coupleur femelle) | 16. Roue (2)                                |                             |

## Données techniques

Tension nominale .....	120 V ~ 60 Hz	Pression nominale .....	1 150 psi
Moteur .....	11 A	Débit nominal .....	4,2 l/min
Température max. d'arrivée d'eau .....	40 °C	Poids net .....	5,4 kg
Pression max. d'arrivée d'eau .....	0,7 MPa		
Longueur du tuyau flexible .....	6 m		
Longueur du cordon d'alimentation .....	10,7 m		
Buse de pulvérisation réglable .....	0° to 45°		
Capacité du canon à mousse .....	0.3 L		

# Déballage

## Contenu de la caisse

- Nettoyeur électrique haute pression avec bidon à détergent
- Pistolet
- Lance de pulvérisation
- Ensemble lance de pulvérisation
- Canon à mousse
- Roue (2)
- Roulette (2)
- Flexible haute pression
- Raccord de boyau d'arrosage (femelle)
- Aiguille de curetage
- Manuel et carte d'enregistrement

1. Retirez soigneusement le nettoyeur haute pression de la caisse et inspectez-le pour vérifier que tous les éléments énumérés ci-dessus sont fournis.
2. Inspectez soigneusement le contenu pour vous assurer qu'aucun élément ne s'est cassé ou n'a été endommagé pendant le transport. Si vous constatez que des pièces manquent ou sont endommagées, NE PAS retourner la caisse au magasin. Veuillez appeler le service à la clientèle Snow Joe® + Sun Joe® au 1-866-SNOWJOE (1-866-766-9563).

**REMARQUE :** ne jetez pas la caisse d'expédition et l'emballage tant que vous n'êtes pas prêt à utiliser votre nouveau nettoyeur haute pression sans cordon. L'emballage est fabriqué dans des matériaux recyclables. Éliminez ces matériaux de façon appropriée et conformément aux réglementations locales.

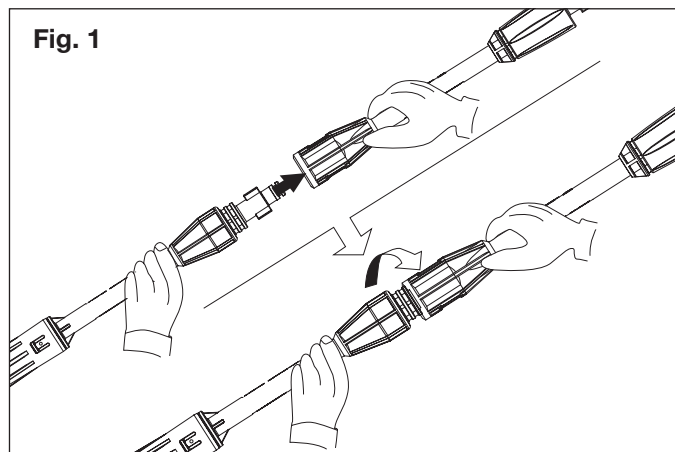
**IMPORTANT!** Le matériel et l'emballage ne sont pas des jouets. Ne laissez pas les enfants jouer avec les sacs en plastique, les feuilles métalliques ou les petites pièces. Ces éléments peuvent être avalés et risquent de provoquer une suffocation!

**⚠ AVERTISSEMENT!** Ne pas brancher sur une source d'alimentation électrique tant que l'assemblage n'est pas terminé. Ne pas tenir compte de cet avertissement peut être à l'origine d'un démarrage accidentel et, potentiellement, de graves blessures.

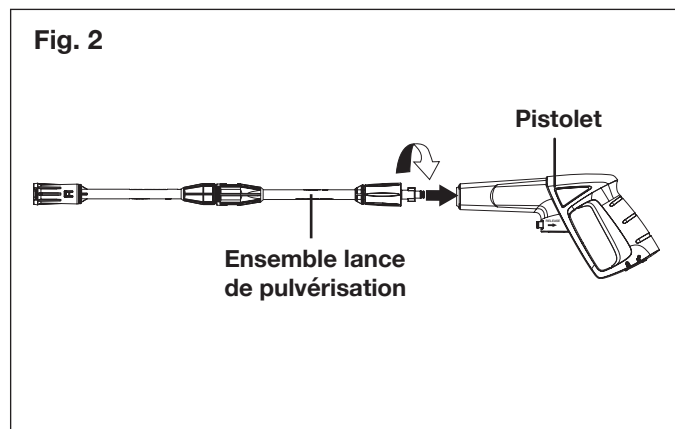
# Assemblage

## Ensemble pistolet de nettoyage

1. Raccordez les deux pièces de l'ensemble lance de pulvérisation et tournez-les jusqu'à ce que les deux parties soient complètement verrouillées (Fig. 1).



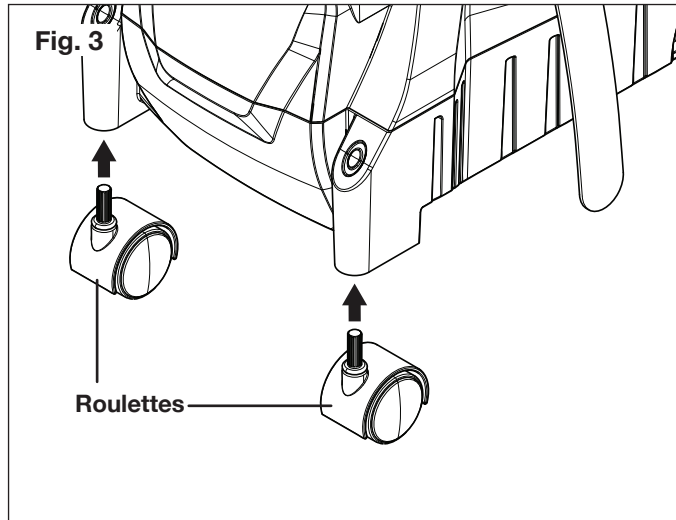
2. Insérez l'ensemble lance de pulvérisation dans le pistolet et tournez l'embout rotatif de la lance jusqu'à ce que les deux parties soient complètement verrouillées (Fig. 2).



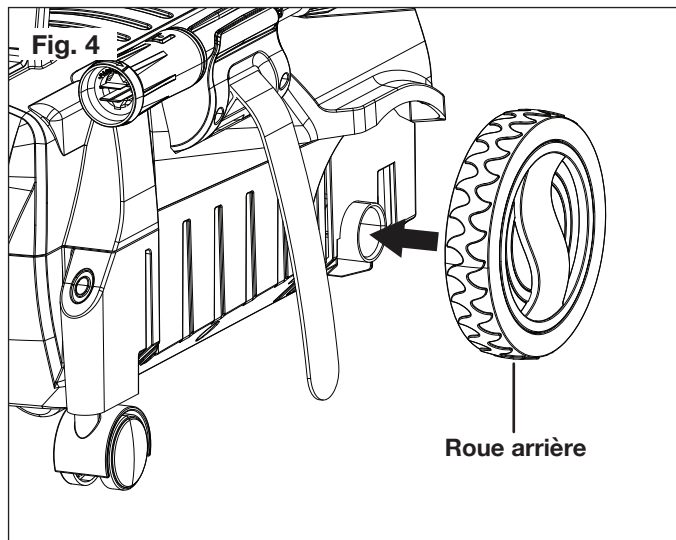


## Pose Des Roues

1. Posez les roulettes à l'avant du nettoyeur haute pression en les insérant dans l'un des deux trous pratiqués dans la partie inférieure du caisson (Fig. 3). Appuyez fermement sur les roulettes pour les attacher.

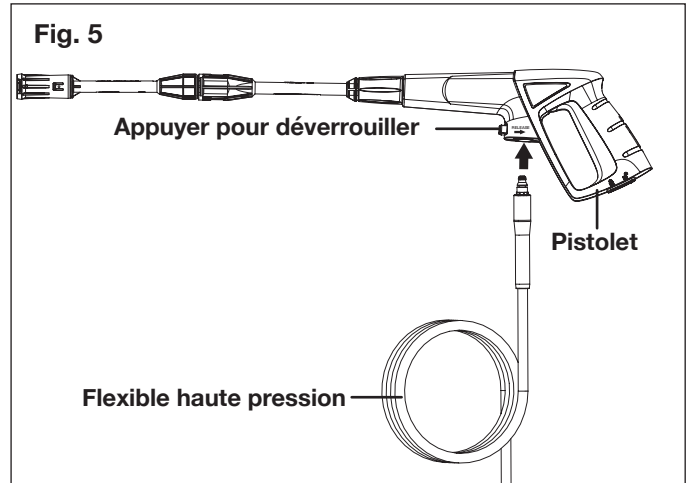


2. Insérez les roues arrière dans le trou pratiqué de chaque côté du nettoyeur haute pression (Fig. 4).

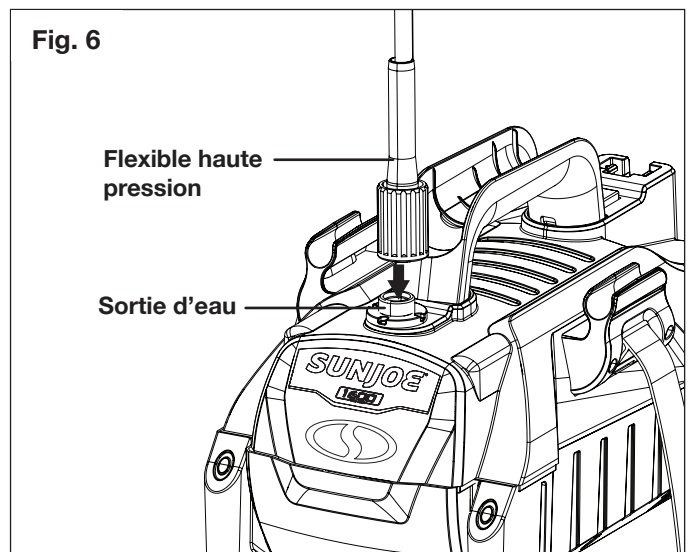


## Branchement du pistolet de nettoyage dans le nettoyeur haute pression

1. Branchez le raccord rapide du flexible haute pression dans le pistolet (Fig. 5). Vous entendrez un *déclat* quand il s'enclenchera pour se mettre en place. Pour libérer le flexible haute pression du pistolet, appuyez sur le bouton de déverrouillage sur le pistolet.



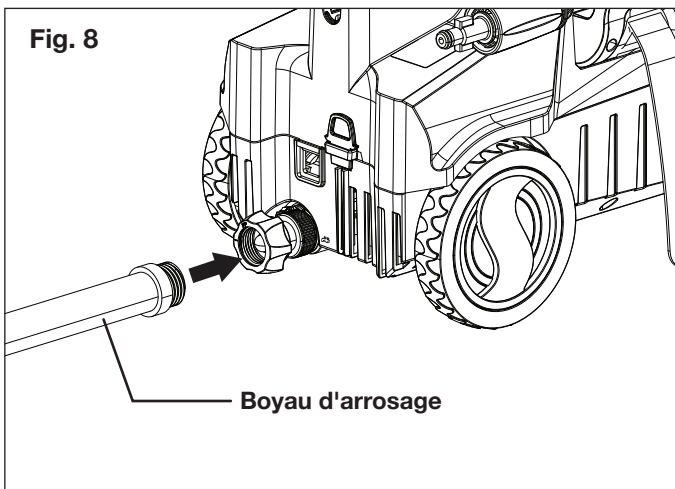
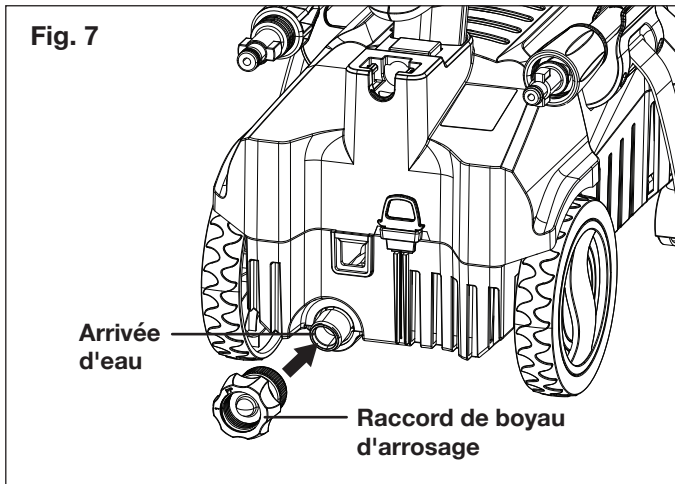
2. Branchez l'autre embout du flexible haute pression sur la sortie d'eau de la machine (Fig. 6). Poussez d'abord complètement l'embout du flexible haute pression sur la sortie d'eau à haute pression, puis vissez-la dans le sens des aiguilles d'une montre.



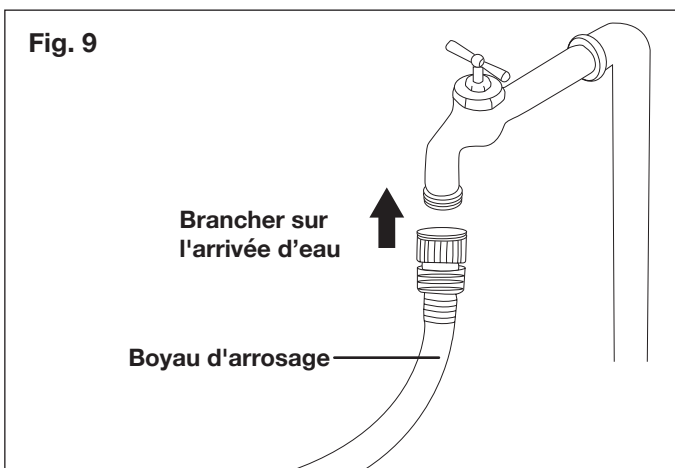
**⚠ AVERTISSEMENT!** Maintenir le flexible à l'écart des objets tranchants. Un flexible qui éclate peut être à l'origine de blessures. Examiner régulièrement le flexible et le remplacer s'il est endommagé. Ne pas essayer de réparer un flexible endommagé.

3. Branchez le raccord de boyau d'arrosage (raccord femelle) sur l'arrivée d'eau du nettoyeur haute pression, puis vissez le boyau d'arrosage (embout mâle) sur le raccord pour boyau d'arrosage (Fig. 7 et 8). Le boyau d'arrosage doit avoir un diamètre intérieur minimal 13 mm et doit être renforcé. Le débit de l'alimentation en eau doit être au moins égal au débit nominal du nettoyeur.

**REMARQUE :** la machine n'est pas adaptée pour être raccordée au réseau d'eau potable.



4. Branchez le boyau d'arrosage sur l'alimentation en eau (Fig. 9).



**⚠️ AVERTISSEMENT!** Ne pas brancher sur un réseau d'alimentation en eau potable.

**⚠️ AVERTISSEMENT!** Si la machine est branchée sur un réseau d'alimentation en eau potable, le réseau doit être protégé contre les retours d'eau.

**⚠️ AVERTISSEMENT!** La température de l'eau à l'entrée du nettoyeur ne doit pas être supérieure à 40 °C. Sa pression ne doit pas être supérieure à 0,7 MPa.

**⚠️ MISE EN GARDE!** Le nettoyeur doit être utilisé uniquement avec de l'eau propre; l'utilisation d'eau non filtrée contenant des produits chimiques endommagera le nettoyeur.

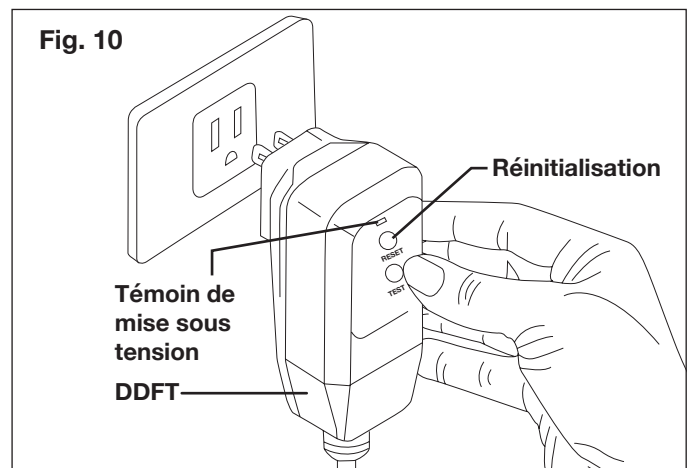
**⚠️ MISE EN GARDE!** Pour éviter d'endommager cet appareil, ne pas le laisser fonctionner à sec. Avant de le démarrer, s'assurer qu'il soit alimenté en eau de façon appropriée et stable.

5. Avant de brancher la machine dans la prise secteur, assurez-vous que l'interrupteur du moteur est à la position d'arrêt « 0 ».

## Utilisation

**⚠️ IMPORTANT!** Ce nettoyeur haute pression est équipé d'un microcommutateur sensible au débit d'eau. Ce système de démarrage/arrêt instantané (TSS) capte le débit dans la pompe. Quand la gâchette est relâchée, l'eau arrête de s'écouler dans la pompe. Le TSS coupe alors automatiquement le moteur pour empêcher la pompe de surchauffer, économisant ainsi de l'énergie et prolongeant de fait la durée de vie de la pompe.

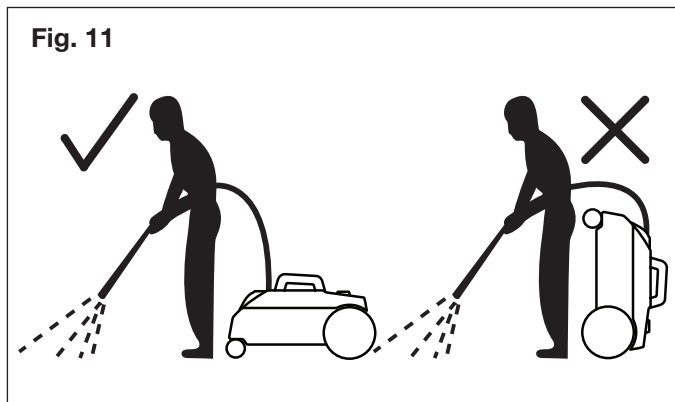
1. Vérifiez que la tension et la fréquence (V/Hz) de l'alimentation électrique correspondent aux spécifications marquées sur la plaque signalétique du nettoyeur haute pression. Si l'alimentation électrique correspond, vous pouvez alors brancher le nettoyeur haute pression dans la prise électrique (Fig. 10).



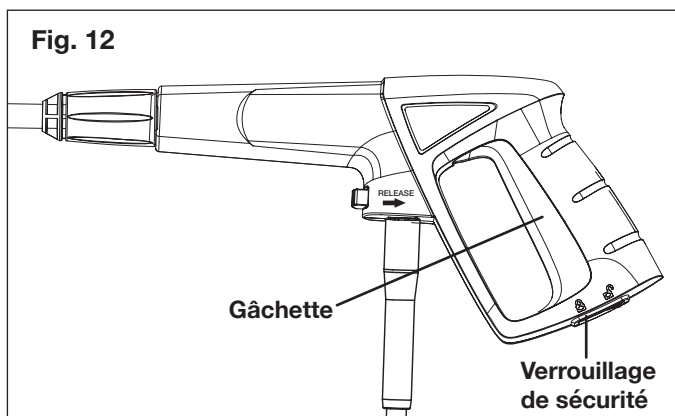
**REMARQUE :** il se peut que le DDFT nécessite d'être d'abord branché dans la prise électrique. Appuyez sur le bouton « Reset » (Réinitialisation) jusqu'à ce que le voyant de mise sous tension sur le DDFT s'allume.

2. Positionnez le nettoyeur aussi PRÈS que possible de l'alimentation en eau.

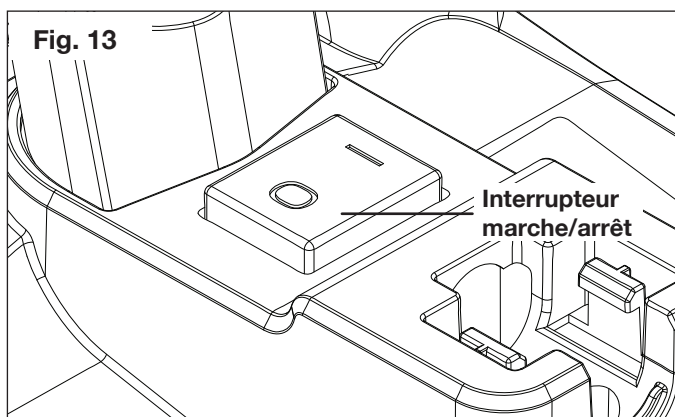
3. Quand vous l'utilisez, le nettoyeur doit reposer sur ses deux supports, sur un sol stable (Fig. 11).



4. Ouvrez complètement le robinet d'alimentation en eau.  
5. Libérez le verrouillage de sécurité, puis appuyez sur la gâchette pendant quelques secondes jusqu'à ce que le débit d'eau soit régulier. En procédant de la sorte, l'air pourra s'échapper et éliminer la pression résiduelle dans le flexible (Fig. 12). Relâchez la gâchette une fois qu'il n'y a plus aucune pression résiduelle.



6. En maintenant pressée la gâchette, appuyez sur le côté « I » de l'interrupteur marche/arrêt pour démarrer le nettoyeur haute pression (Fig. 13).



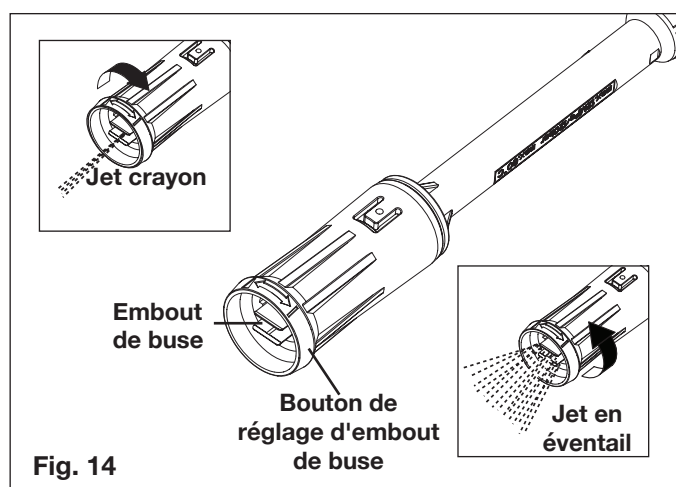
7. Quand vous redémarrez le moteur, maintenez toujours la gâchette enfoncée.

**REMARQUE :** le moteur tourne uniquement quand la gâchette est pressée et il s'arrête quand la gâchette est relâchée.

## Utilisation de la lance de pulvérisation réglable

**⚠️ AVERTISSEMENT!** Les jets à haute pression peuvent être dangereux s'ils ne sont pas utilisés à bon escient. Le jet ne doit pas être dirigé vers des personnes, des animaux familiers, du matériel électrique ou la machine elle-même.

1. Le nettoyeur est équipé d'une buse réglable.
2. L'embout de la buse peut se régler pour passer d'un jet crayon à un jet en éventail en tournant le bouton de réglage d'embout de buse (Fig. 14).



**⚠️ AVERTISSEMENT!** Ne pas régler la buse en pressant la gâchette. Le non-respect de cet avertissement peut endommager la machine.

## Travaux de nettoyage au détergent

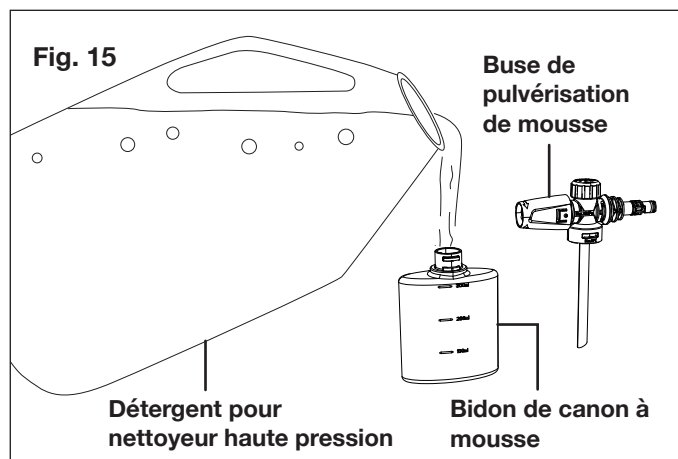
Lorsque vous utilisez le nettoyeur haute pression, certains travaux de nettoyage peuvent être résolus en utilisant uniquement de l'eau, mais pour la plupart d'entre eux, le nettoyage au détergent permet de retirer plus efficacement la saleté.

Pour obtenir une puissance de nettoyage supérieure, la machine est équipée d'un canon à mousse.

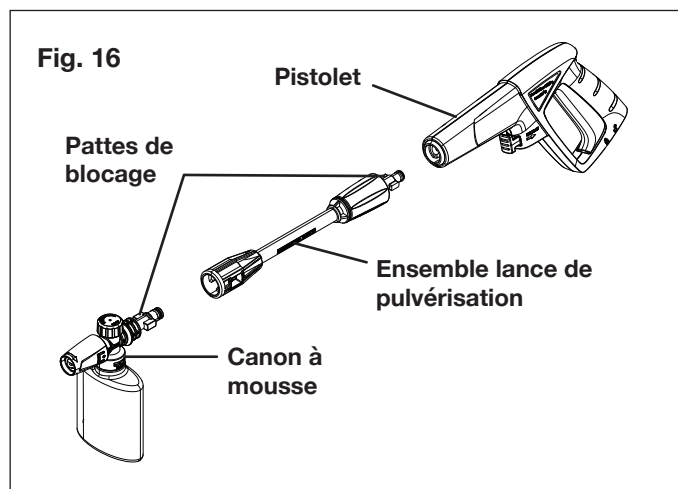
**⚠️ AVERTISSEMENT!** Utiliser uniquement des détergents spécifiquement conçus pour les nettoyeurs haute pression, par exemple la FORMULE CONCENTRÉE POUR LE LAVAGE DE TERRASSES DE MAISON Sun Joe® (SPX-HDC1G), la MOUSSE DE LAVAGE DE VOITURE Sun Joe® (SPX-FCS1G) ou le PRODUIT NETTOYANT DE TYPE INDUSTRIEL Sun Joe® (SPX-APC1G). **NE PAS UTILISER** de détergents à usage domestique, d'acides, de solutions alcalines, d'eau de Javel, de solvants, de matières

inflammables ou de solutions de classe industrielle. Ces produits pourraient endommager le nettoyeur haute pression. De nombreux détergents peuvent nécessiter d'être mélangés avant utilisation. Préparer la solution de nettoyage comme indiqué sur le bidon de la solution.

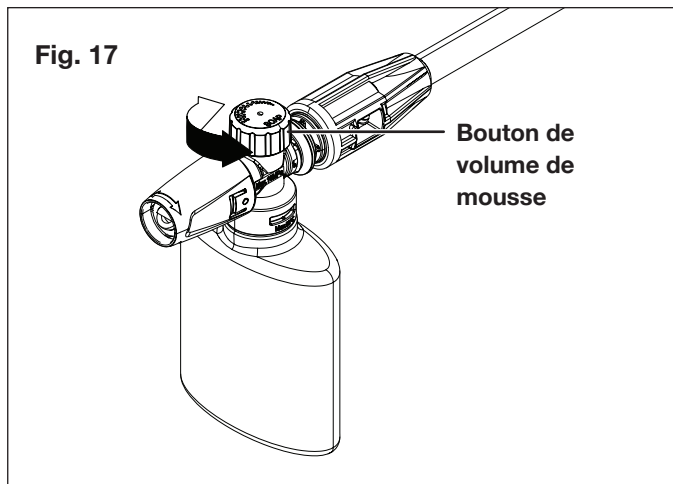
1. Retirez la buse de pulvérisation de mousse et remplissez le bidon du canon à mousse d'un détergent spécifiquement conçu pour utilisation avec les nettoyeurs haute pression (Fig. 15).



2. Replacez le bouchon du bidon du canon à mousse et attachez le bidon au pistolet par l'intermédiaire de l'ensemble lance. Tournez chaque composant dans le sens horaire pour les mettre en place et les verrouiller à l'aide des pattes de blocage (Fig. 16).



3. Le canon à mousse est doté d'un bouton de volume de mousse. Pour utiliser le bouton de volume de mousse, suivez les instructions illustrées (Fig. 17).



4. Pulvérisez le détergent du bas vers le haut de la surface sèche à nettoyer. En appliquant le détergent de cette manière, la saleté se dissoudra plus efficacement.

**REMARQUE :** il n'est pas recommandé de mouiller d'abord la surface à nettoyer, car ceci dilue le détergent et réduit son efficacité.

**⚠ MISE EN GARDE!** Avant utilisation, toujours faire un essai avec le détergent en le pulvérisant sur une zone peu visible.

5. Avant de rincer à l'aide du nettoyeur haute pression, laissez le détergent agir brièvement sur la surface à nettoyer. Ne laissez pas le détergent sécher sur la surface à nettoyer.

**⚠ MISE EN GARDE!** Si le détergent sèche sur une surface à nettoyer qui est peinte, celle-ci peut être endommagée. Nettoyer et rincer à la fois une petite surface. Éviter de pulvériser sur les surfaces chaudes ou directement exposées aux rayons du soleil.

6. Rincez à l'eau propre. Si vous travaillez sur une surface verticale, pulvérisez de bas en haut, puis rincez de haut en bas pour éviter de faire des traces. Tenez la buse à une distance de 15 à 20 cm de la surface de travail en formant un angle de 45°.

**⚠ IMPORTANT! NE JAMAIS UTILISER :**

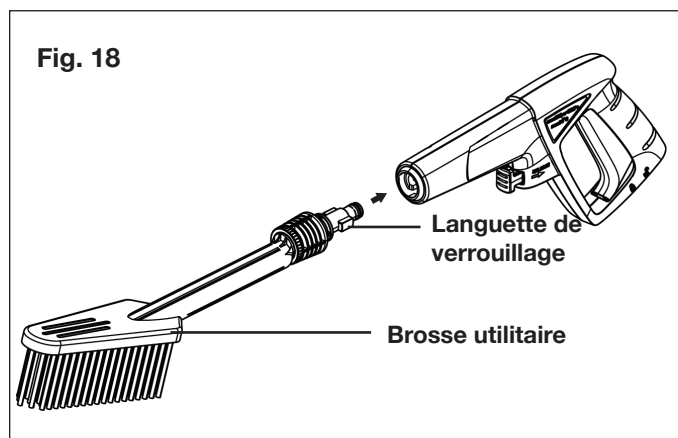
- De l'eau de Javel, des produits chlorés ou d'autres produits chimiques corrosifs.
- Des liquides contenant des solvants (p. ex., des diluants, de l'essence, des huiles).
- Des produits au phosphate trisodique.
- Des produits à base d'ammoniac.
- Des produits à base d'acide.

Ces produits chimiques endommageront la machine ainsi que la surface à nettoyer.

## Utilisation de la brosse utilitaire pour nettoyeur haute pression à poils plumes

La brosse utilitaire pour nettoyeur haute pression à poils plumes Sun Joe® nettoie en toute sécurité les surfaces peintes, les couches de finition et les surfaces délicates. Compatible avec tous les nettoyeurs haute pression de la série Sun Joe® SPX.

1. Si ce n'est déjà fait, détachez votre lance de pulvérisation de votre pistolet à gâchette.
2. Prenez la brosse utilitaire et alignez les deux languettes avec l'intérieur du pistolet à gâchette (Fig. 18).



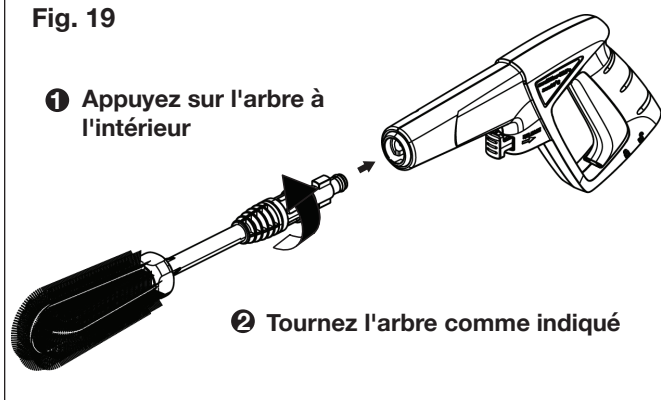
3. Une fois aligné, poussez la brosse utilitaire dans le pistolet à gâchette, tournez dans le sens antihoraire pour verrouiller en place.

## Utilisation de la brosse roue + jante

La brosse pour roues et jantes Sun Joe® nettoie en toute sécurité les roues et les jantes. Compatible avec tous les nettoyeurs haute pression de la série Sun Joe® SPX.

1. Débranchez la lance de pulvérisation du pistolet à gâchette en appuyant dessus fermement et en tournant dans le sens des aiguilles d'une montre jusqu'à ce que les 2 languettes de verrouillage de la lance puissent être retirées de la fente.
2. Prenez la brosse roue + jante et alignez les deux languettes avec l'intérieur du pistolet à gâchette (Fig. 19).
3. Une fois alignés, poussez la brosse roue + jante dans le pistolet à gâchette, tournez dans le sens antihoraire pour verrouiller en place.

Fig. 19

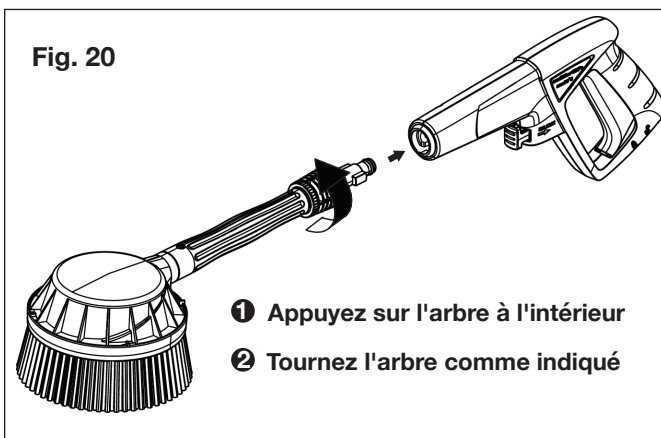


## Utilisation du nettoyeur de surface rotatif

La brosse rotative Sun Joe® nettoie en toute sécurité les surfaces peintes, les couches de finition et les surfaces délicates. Compatible avec tous les nettoyeurs haute pression de la série Sun Joe® SPX.

1. Débranchez la lance de pulvérisation du pistolet à gâchette en appuyant dessus fermement et en tournant dans le sens des aiguilles d'une montre jusqu'à ce que les 2 languettes de verrouillage de la lance puissent être retirées de la fente.
2. Prenez la brosse rotative et alignez les deux languettes avec l'intérieur du pistolet à gâchette (Fig. 20).
3. Une fois aligné, poussez la brosse rotative dans le pistolet à gâchette, tournez dans le sens antihoraire pour verrouiller en place.

Fig. 20



## Éteindre

1. Poussez l'interrupteur en position OFF (0) et débranchez le cordon d'alimentation de la prise.
2. Fermez la source d'eau.
3. Maintenez la gâchette pour relâcher la pression de l'eau.
4. Débranchez le tuyau d'arrosage de l'arrivée d'eau sur l'unité.

- Débranchez le raccord du tuyau haute pression sur la poignée du pistolet à gâchette.
- Relâchez la gâchette et engagez le verrou de sécurité du pistolet.

**⚠ ATTENTION!** Coupez l'alimentation en eau et appuyez sur la gâchette pour dépressuriser l'appareil. Le non-respect de cette consigne peut entraîner des blessures corporelles dues à la décharge d'eau à haute pression.

## Faire une pause

Si vous faites une pause de cinq minutes ou plus entre les tâches de nettoyage :

- Engagez le verrou de sécurité du pistolet (Fig. 12).
- Poussez l'interrupteur en position ARRÊT (0).
- Débranchez le cordon d'alimentation de la prise.

## Arrêt de la machine

- Appuyez sur le côté « 0 » de l'interrupteur marche/arrêt et débranchez le cordon d'alimentation de la prise.
- Coupez l'alimentation en eau.
- Pressez la gâchette en la maintenant enfoncée pour relâcher la pression d'eau.
- Débranchez le boyau d'arrosage de l'arrivée d'eau sur la machine.
- Débranchez le raccord de flexible haute pression sur la poignée du pistolet.
- Relâchez la gâchette et activez le verrouillage de sécurité du pistolet.

**⚠ AVERTISSEMENT!** Couper l'alimentation en eau et presser la gâchette pour mettre la machine hors pression. Toute personne ne respectant pas cet avertissement pourrait se blesser suite au refoulement de l'eau à haute pression.

## Prise d'une pause

Si vous prenez une pause de cinq minutes ou plus entre les tâches de nettoyage :

- Activez le verrouillage de sécurité du pistolet (Fig. 12).
- Appuyez sur le côté « 0 » de l'interrupteur marche/arrêt.
- Débranchez le cordon d'alimentation de la prise.

## Remisage

**⚠ MISE EN GARDE!** Toujours remisage le nettoyeur haute pression dans un endroit où la température ne descendra pas en dessous de 0 °C. La pompe de cette machine est susceptible d'être irrémédiablement endommagée si elle gèle.

**LES DOMMAGES DUS AU GEL NE SONT PAS COUVERTS PAR LA GARANTIE.**

- Remisez le nettoyeur haute pression à l'intérieur dans un endroit couvert et sec où il ne sera pas soumis aux

intempéries.

- Il est important de remisage cette machine dans un endroit à l'abri du gel.
- Avant de remisage la machine, videz toujours l'eau de tous les tuyaux, de la pompe et du bidon à détergent (si vous en utilisez un).

**⚠ MISE EN GARDE!** L'utilisation d'un protège-pompe est recommandée pour que le froid n'endommage pas la pompe pendant les mois d'hiver.

## Remisage de longue durée pour l'hiver

Si vous devez remisage votre nettoyeur haute pression dans un endroit où la température descend en dessous de 0 °C, vous pouvez réduire au minimum le risque d'endommager votre machine en suivant cette procédure :

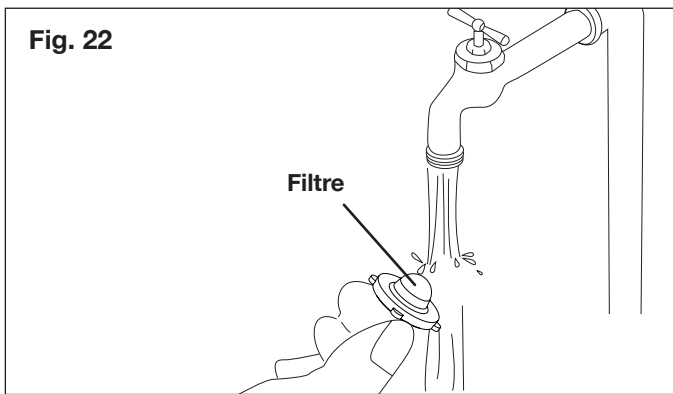
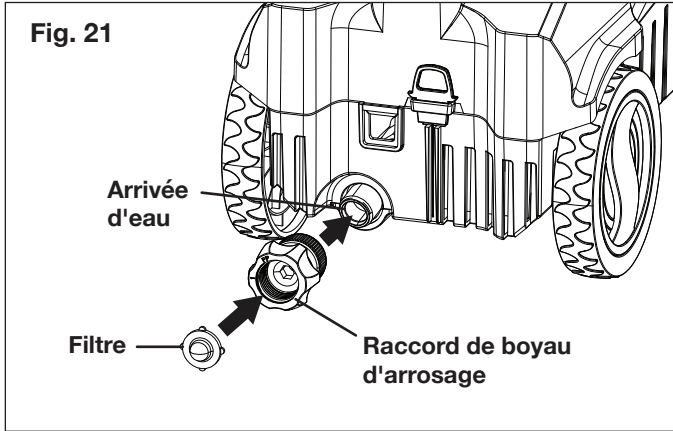
- Débrancher tous les raccords d'eau.
- Mettre en marche la machine pendant quelques secondes jusqu'à ce que l'eau restant dans la pompe soit purgée. Arrêter immédiatement la machine.
- Ne pas laisser le flexible haute pression s'entortiller.
- Remisage la machine et ses accessoires dans une pièce à l'abri du gel.
- Ne pas remisage la machine près d'une chaudière ou d'autres sources de chaleur susceptibles de dessécher les joints de la pompe.
- Avant de le remisage pour l'hiver, utiliser le nettoyeur haute pression avec un antigel non corrosif et non toxique, un économiseur de pompe ou un protège-pompe.

**⚠ AVERTISSEMENT!** Avant de réutiliser la machine, la rincer complètement à l'eau claire. Les antigels peuvent endommager la peinture et il faut donc s'assurer qu'il n'y ait pas d'antigel restant dans le système avant de le réutiliser.

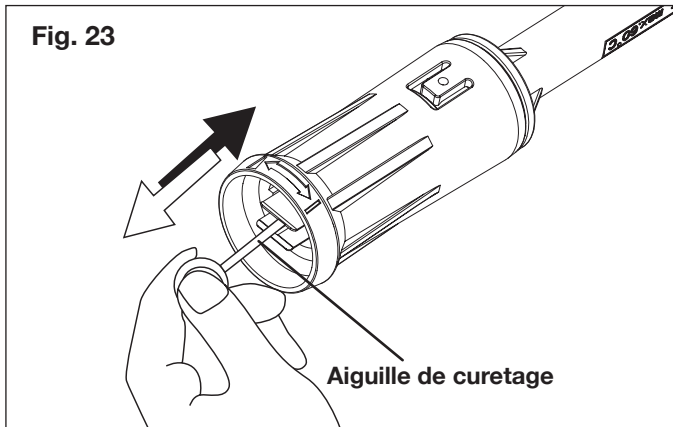
## Entretien

**⚠ MISE EN GARDE!** Avant d'intervenir sur le nettoyeur haute pression, arrêter la machine et débrancher le cordon de la prise d'alimentation électrique.

- Pour assurer un bon rendement, vérifiez et nettoyez le filtre (Fig. 21). Retirez le raccord de boyau d'arrosage et le filtre. Rincez le filtre à l'eau chaude afin d'empêcher qu'un corps étranger vienne obstruer la pompe (Fig. 22).



2. Nettoyez la buse à l'aide de l'aiguille de curetage fournie (Fig. 23). Retirez la lance de pulvérisation du pistolet; retirez toute la saleté de l'orifice de la buse et rincez.



## Élimination

### Recyclage du nettoyeur

- Ne jetez pas les appareils électriques comme si c'étaient des déchets ménagers. Utilisez les services d'enlèvement spéciaux des ordures ménagères.
- Communiquez avec l'organisme public local pour obtenir des informations sur les systèmes d'enlèvement offerts.
- Si des appareils électriques sont éliminés dans les

décharges ou les dépôts d'ordures, des substances dangereuses peuvent s'infiltrer dans les eaux souterraines et polluer la chaîne alimentaire en nuisant à votre santé et votre bien-être.

- Lors du remplacement d'appareils anciens par des neufs, le détaillant est légalement tenu de reprendre au moins gratuitement votre ancien appareil pour l'éliminer.

## Entretien, réparations et assistance technique

Si votre nettoyeur haute pression électrique Sun Joe® SPX3160P-SJG nécessite une réparation ou un entretien, veuillez appeler le service à la clientèle Snow Joe® + Sun Joe® au 1-866-SNOWJOE (1-866-766-9563).

## Numéros de modèle et de série

Lorsque vous communiquez avec l'entreprise pour commander des pièces ou prendre rendez-vous pour une intervention technique chez un revendeur agréé, vous devez fournir les numéros de modèle et de série qui se trouvent sur l'étiquette autocollante apposée sur le caisson de la machine. Copiez ces numéros dans l'espace réservé ci-dessous.

Veuillez noter les numéros suivants sur le caisson ou la poignée de votre nouvelle machine :

N° de modèle :

S | P | X | 3 | 1 | 6 | 0 | P | - | S | J | G | | | | | | | | | | |

N° de série :

| | | | | | | | | | | | | | | | | | | | | | |

# Dépannage


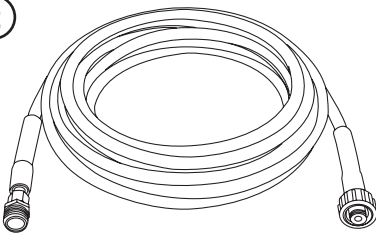
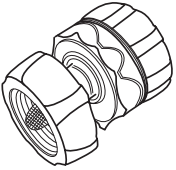
- Débranchez la machine de la source d'alimentation électrique avant d'effectuer un entretien ou quand vous voulez vérifier que ses pièces sont en bon ordre de marche.
- Pour éviter des ennuis inutiles, pour tous les problèmes mécaniques, consultez le tableau suivant avant de communiquer avec le service à la clientèle.

Problèmes	Cause possible	Solution possible
La machine refuse de démarrer	<ul style="list-style-type: none"> <li>• Panne de courant/machine non branchée sur une prise en bon état.</li> <li>• Prise défectueuse.</li> <li>• Un fusible a sauté.</li> </ul>	<ul style="list-style-type: none"> <li>• Vérifiez que la machine est branchée sur une prise de courant en bon état.</li> <li>• Vérifiez le cordon d'alimentation et réinitialisez le DDFT. Essayez une prise de courant différente.</li> <li>• Remplacez le fusible. Arrêtez tous les autres outils, machines ou appareils utilisant le même circuit.</li> </ul>
Pression fluctuante	<ul style="list-style-type: none"> <li>• La pompe aspire de l'air.</li> <li>• Soupapes sales, usées ou coincées.</li> <li>• Joints d'étanchéité de la pompe usés.</li> </ul>	<ul style="list-style-type: none"> <li>• Vérifiez que les tuyaux flexibles et les raccords sont étanches à l'air.</li> <li>• Nettoyez ou remplacez les soupapes/joints.</li> <li>• Veuillez appeler le service à la clientèle Snow Joe® + Sun Joe® au 1-866-SNOWJOE (1-866-766-9563) pour de l'aide.</li> </ul>
La machine s'arrête	<ul style="list-style-type: none"> <li>• Un fusible a sauté.</li> <li>• Tension de secteur non appropriée.</li> <li>• Capteur thermique activé.</li> <li>• Buse partiellement obstruée.</li> </ul>	<ul style="list-style-type: none"> <li>• Remplacez le fusible. Arrêtez les autres machines branchées sur le même circuit.</li> <li>• Vérifiez que la tension de secteur correspond aux spécifications sur l'étiquette du modèle.</li> <li>• Laissez le nettoyeur se refroidir pendant cinq minutes.</li> <li>• Nettoyez la buse.</li> </ul>
Le fusible a sauté	<ul style="list-style-type: none"> <li>• Fusible trop petit.</li> </ul>	<ul style="list-style-type: none"> <li>• Posez un fusible ayant une intensité nominale plus élevée que celle de la machine.</li> </ul>
L'écoulement dans la machine est pulsatoire	<ul style="list-style-type: none"> <li>• Air dans le tuyau d'arrivée.</li> <li>• Alimentation en eau du réseau insuffisante.</li> <li>• Buse partiellement obstruée.</li> <li>• Filtre à eau bloqué.</li> <li>• Tuyau flexible plié.</li> </ul>	<ul style="list-style-type: none"> <li>• Faites tourner la machine en maintenant la gâchette pressée jusqu'à ce que la pression de service régulière se rétablisse.</li> <li>• Vérifiez que l'alimentation en eau correspond aux spécifications de la machine.</li> <li><b>AVERTISSEMENT!</b> Éviter d'utiliser des flexibles longs et minces (diamètre minimal 13 mm).</li> <li>• Nettoyez la buse.</li> <li>• Nettoyez le filtre d'arrivée d'eau.</li> <li>• Étirez le tuyau flexible pour qu'il ne soit ni plié ni obstrué.</li> </ul>
La machine s'arrête et démarre d'elle-même souvent	<ul style="list-style-type: none"> <li>• La pompe ou le pistolet de pulvérisation fuit.</li> <li>• Le mécanisme de la gâchette est cassé.</li> </ul>	<ul style="list-style-type: none"> <li>• Pour de l'aide, veuillez appeler le service à la clientèle Snow Joe® + Sun Joe® au 1-866-SNOWJOE (1-866-766-9563).</li> </ul>
La machine démarre, mais aucune eau n'en sort	<ul style="list-style-type: none"> <li>• Pompe, tuyaux flexibles ou accessoires gelés.</li> <li>• Aucune alimentation en eau.</li> <li>• Filtre d'arrivée d'eau obstrué.</li> <li>• Buse obstruée.</li> </ul>	<ul style="list-style-type: none"> <li>• Patientez jusqu'à ce que la pompe, les flexibles ou les accessoires dégèlent.</li> <li>• Branchez l'arrivée d'eau.</li> <li>• Nettoyez le filtre d'arrivée d'eau.</li> <li>• Nettoyez la buse.</li> </ul>



## Accessoires en option

**⚠️ AVERTISSEMENT!** TOUJOURS utiliser des pièces de rechange et des accessoires Snow Joe® + Sun Joe® homologués. NE JAMAIS utiliser des pièces ou des accessoires qui ne sont pas destinés à être utilisés avec ce nettoyeur électrique haute pression. Communiquez avec Snow Joe® + Sun Joe® si vous n'êtes pas sûr que l'utilisation d'une pièce de rechange ou d'un accessoire particulier avec votre nettoyeur haute pression soit sans danger. L'utilisation de tout autre accessoire ou de toute autre pièce détachée peut être dangereuse et pourrait provoquer des dommages corporels ou des détériorations d'origine mécanique..

Les accessoires	Description	Modèle
<p>1</p> 	<p>Produit nettoyant concentré tout usage pour terrasses et extérieurs Sun Joe® spécialement conçu pour les nettoyeurs haute pression</p> <p>Mousse de lavage de voiture haut de gamme Sun Joe® spécialement conçue pour les nettoyeurs haute pression</p> <p>Produit nettoyant et dégraissant de type industriel et tout usage Sun Joe® spécialement conçu pour les nettoyeurs haute pression</p>	<p>SPX-HDC1G</p> <p>SPX-FCS1G</p> <p>SPX-APC1G</p>
<p>2</p> 	<p>Rallonge flexible à usage modéré de 7,6 m pour nettoyeurs haute pression Série SPX</p>	<p>SPX-25H</p>
<p>3</p> 	<p>Laiton massif universel coupleur à connexion rapide (du boyau d'arrosage au raccord du nettoyeur haute pression)</p>	<p>SPX-UQC</p>

La gamme complète d'accessoires haut de gamme pour nettoyeurs haute pression de Sun Joe a été créée pour faciliter vos tâches de nettoyage et pour vous aider à tirer le meilleur parti de votre modèle.

**MAGASINEZ EN LIGNE dès maintenant sur le site [sunjoe.com](http://sunjoe.com)**

**REMARQUE :** les accessoires sont sous réserve de changements sans que Snow Joe® + Sun Joe® soit pour autant tenue de donner un préavis desdits changements. Les accessoires peuvent être commandés en ligne sur le site [sunjoe.com](http://sunjoe.com) ou par téléphone en appelant le service à la clientèle Snow Joe® + Sun Joe® au 1-866-SNOWJOE (1-866-766-9563).



## LA PROMESSE DE SNOW JOE® + SUN JOE® À SES CLIENTS

Vous êtes notre client et Snow Joe, LLC (« Snow Joe ») **SE MET EN QUATRE** pour vous servir. Nous nous efforçons de vous rendre l'utilisation de nos produits aussi plaisante que possible. Malheureusement, il peut arriver qu'un produit Snow Joe®, Sun Joe® ou Aqua Joe (« Produit ») ne fonctionne pas ou se casse dans des conditions d'utilisation normales. Nous pensons qu'il est important que vous sachiez ce que vous pouvez attendre de nous. C'est pourquoi nous avons une garantie limitée (« Garantie ») pour nos Produits.

### NOTRE GARANTIE :

Snow Joe déclare et garantit que les Produits neufs, d'origine, électriques ou non électriques sont exempts de vices de matière ou de fabrication et, lorsqu'ils font l'objet d'une utilisation résidentielle et ménagère ordinaire, les garantit pendant une période de deux ans à compter de la date d'achat au détail par l'acheteur primitif auprès de Snow Joe ou d'un des revendeurs agréés de Snow Joe, preuve d'achat à l'appui. Étant donné que Snow Joe ne peut pas contrôler la qualité de ses Produits vendus par des revendeurs non agréés, sauf stipulation contraire de la loi, la présente Garantie ne couvre pas les Produits achetés auprès de vendeurs non agréés. Si votre Produit ne fonctionne pas ou si une pièce spécifique couverte par les modalités de la présente Garantie fait l'objet d'un problème quelconque, Snow Joe choisira (1) de vous envoyer une pièce de rechange gratuite, (2) de remplacer le Produit par un produit neuf ou comparable, gratuitement, ou (3) de réparer le Produit. Génial, n'est-ce pas?

**La présente Garantie vous donne des droits judiciaires spécifiques, et vous pouvez également avoir d'autres droits qui peuvent varier d'une province ou d'un territoire à l'autre.**

### ENREGISTREMENT DU PRODUIT :

Snow Joe vous recommande vivement d'enregistrer votre Produit. Vous pouvez l'enregistrer en ligne sur le site [snowjoe.com/register](http://snowjoe.com/register), ou en imprimant et en envoyant par courrier une carte d'enregistrement offerte en ligne sur notre site Web, ou par téléphone en appelant notre Service à la clientèle au **1-866-SNOWJOE (1-866-766-9563)**, ou encore en nous envoyant un courriel à l'adresse [help@snowjoe.com](mailto:help@snowjoe.com). Le fait de ne pas enregistrer l'achat de votre Produit n'a aucune conséquence sur vos droits concernant la garantie. Toutefois, l'enregistrement de votre Produit permettra à Snow Joe de mieux répondre au moindre besoin que vous pourriez avoir en matière de service à la clientèle.

### QUI PEUT REVENDIQUER LA COUVERTURE DE LA GARANTIE?

La présente Garantie est étendue par Snow Joe à l'acheteur et propriétaire primitif du Produit.

### QU'EST-CE QUI N'EST PAS COUVERT?

La présente Garantie ne s'applique pas si le Produit a été utilisé commercialement, pour des travaux non résidentiels ou s'il fait l'objet d'une location. La présente Garantie ne s'applique pas non plus si le Produit a été acheté auprès d'un revendeur non agréé. La présente garantie ne couvre pas non plus les changements cosmétiques qui n'affectent pas le rendement. Les pièces d'usure comme les courroies, les tarières, les chaînes et les dents ne sont pas couvertes au titre de la présente Garantie et peuvent être achetées en ligne sur le site [snowjoe.com](http://snowjoe.com) ou en appelant le **1-866-SNOWJOE (1-866-766-9563)**.



A series of 20 horizontal lines for writing, spaced evenly down the page.



**[sunjoe.com](http://sunjoe.com)**