



# ELECTRIC CHAIN SAW

14-INCH | 9-AMP

## OPERATOR'S MANUAL

A Division of Snow Joe®, LLC


Model SWJ599E

Form No. SJ-SWJ599E-880E-MR3

## IMPORTANT! Safety Instructions

### All Operators Must Read These Instructions Before Use

Read all the instructions contained in this manual. Keep this manual in a safe place, so that the information is available at all times. If you give the equipment to another person, make sure to provide these operating instructions. Basic safety precautions should always be followed to reduce the risk of fire, electric shock, and personal injury.

Notice the personal safety alert symbol  used in this manual to draw your attention to a **WARNING** given along with the particular operating instruction. This means that the operation requires special **ATTENTION, CAUTION, and AWARENESS**.

### Intended Use

This electric chain saw was designed and manufactured for trimming and pruning tree limbs and branches and for cutting smaller logs up to 10 in. (25 cm) thick. All of the wooden objects intended to be cut with this chain saw should be no thicker than the guide bar's maximum cutting capabilities.


### Improper Use

Any other use differing from the above mentioned applications poses a serious hazard to the user and may damage both the tool and your personal property. Examples of improper use include, but are not limited to:

- trimming hedges;
- carving;
- sectioning pallets, crates, and various packing materials;
- sectioning furniture or other materials with nails, screws, or other metal components;
- butchering meat;
- using the machine to lift, move, or split objects;
- using the machine while fastened to fixed supports.

Improper use of the machine will invalidate the warranty, relieve the manufacturer from all liabilities. The user will consequently be liable for all and any damage or injury to himself/herself or others.

## General Safety

 **WARNING!** When using electric yard tools, basic safety precautions should always be followed to reduce the risk of fire, electric shock, and personal injury, including the following:

1. **Keep guards in place** – Protective guards should be checked periodically to ensure they are properly fitted and in correct working order.
2. **Remove adjusting keys and wrenches** – Check that adjusting wrenches are removed from the saw before turning it on.
3. **Keep work area clean and well-lit** – Clear work area of branches and limbs after each cutting session. Cluttered areas invite accidents.
4. **Avoid dangerous conditions** – Do not use this machine in rainy, stormy, damp, or wet locations. Do not operate the unit in gaseous or explosive atmospheres. Motors in these units normally spark, and the sparks may ignite fumes.
5. **Do not use the chain saw in the rain.**
6. **Keep bystanders and children away** – All bystanders, including children and pets, should be kept a safe distance away from the work area.
7. **Do not force the tool** – It will do the job effectively and safely if it is used at the rate for which it was designed.
8. **Use the right tool** – Do not force the tool or any attachment on the tool to do a job for which it was not intended.
9. **Wear proper apparel** – Do not wear loose articles of clothing or jewelry since such items may get caught in moving parts. Wearing heavy-duty rubber gloves, substantial non-skid footwear, and close-fitting clothing is recommended when working outdoors with power tools.
10. **Wear protective hair coverings to contain long hair.**
11. **Always wear safety glasses and ear defenders to provide eye and ear protection** – Everyday eyeglasses only have impact resistant lenses and do not provide the same protection as safety glasses.
12. **Wear face or dust masks** – If the cutting operation is dusty, the use of a face or dust mask specially designed to filter out microscopic particles is recommended.
13. **Do not overreach** – Keep proper footing and balance at all times.
14. **Maintain tools with care** – Keep tools sharp and clean for the best and safest performance. Follow instructions for lubricating and changing accessories.

15. **Disconnect tool** – Disconnect the chain saw from the power supply when not in use, before servicing, when transporting, or when changing the chain or other accessories.
16. **Reduce the risk of unintentional starting** – Make sure the switch is in the OFF position before plugging the tool into a power source.
17. **Use recommended accessories** – Consult the owner's manual for recommended accessories. The use of improper accessories may cause risk of injury.
18. **Check for damaged parts** – Before each use, repair or replace any guard or part that is damaged. In addition, check for alignment of moving parts, binding of moving parts, breakage of parts, and any other conditions that may affect the tool's operation.
19. **Never leave tool unattended while it is running** – Turn the power OFF by removing the power cord directly from its socket. Do not leave the saw until the cutting bar comes to a complete stop.
20. **Avoid unintentional starting** – Do not carry the chain saw with your finger on the switch.
21. **Do not grasp the exposed cutting blade or cutting edges when picking up or holding the saw** – Be sure to encase the cutting bar in its protective sheath when not in use.
22. **Stay alert** – Watch what you are doing. Use common sense. Do not operate the chain saw when you are tired.
23. **Store idle tool indoors** – When not in use, appliances should be stored indoors in a dry and high or locked-up place out of the reach of children.

## Chain Saw Use + Care

Save all warnings and instructions for future reference. The term "power tool" in the warnings refers to your electric chain saw.

**⚠ WARNING!** Turn off the power switch and disconnect the power source before adjusting, inspecting, servicing or cleaning the power tool, when changing accessories, or when any other dangerous conditions present themselves. All maintenance tasks should be performed after the power tool's rotating parts have stopped completely. Such preventive safety measures reduce the risk of starting the power tool accidentally.

1. Do not force the power tool. Use the correct power tool for your application. The correct power tool will perform better with less likelihood of personal or mechanical damage if it is used at the rate for which it was designed.
2. Do not use the power tool if the switch does not turn it on and off. Any power tool that cannot be controlled with the switch is dangerous and must be repaired.
3. Disconnect the unit from its power source before making any adjustments, changing accessories, or storing the power tool. Such preventive safety measures reduce the risk of starting the power tool accidentally.
4. Store idle power tools indoors in a dry, locked place out of the reach of children. Do not allow anyone who is unfamiliar with the power tool or these instructions access to the machine. Power tools are dangerous in the hands of untrained users.
5. Maintain power tools with care to ensure safe operation and optimal performance. Keep handles dry, clean, and free from oil and grease. Check for misalignment or obstruction of moving parts, breakage of parts, and any other condition that may affect the power tool's operation. If damage is found, have the power tool repaired before use. Many accidents are caused by poorly maintained power tools.
6. Keep cutting tools sharp and clean. Properly maintained cutting tools with sharp cutting edges are less likely to jam and are easier to control.
7. Use the power tool and accessories in accordance with these instructions, and be sure to take into account the working conditions and the work to be performed. Using the power tool for operations other than those intended could result in a hazardous situation.
8. Moving parts presents risks. Keep your face, hair, clothing, hands, and feet away from all moving parts. All guards and safety attachments must be installed properly before using the power tool. Shut off and disconnect the power supply before touching any parts other than the handles and the switch.

# Electrical Safety

1. Ground fault circuit interrupter (GFCI) protection should be provided on the circuit(s) or outlet(s) to be used for this electric chain saw. Receptacles are available having built-in GFCI protection and may be used for this measure of safety.
2. Make sure that the mains voltage matches that listed on the unit's rating label. Using the improper voltage can damage the motor and injure the user.
3. To prevent electric shock, use only with an extension cord suitable for outdoor use, such as SW-A, SOW-A, STW-A, STOW-A, SJW-A, SJOW-A, SJTW-A, or SJTOW-A.

Before use, check that the extension cord is in good condition. When using an extension cord, make sure to use one heavy enough to carry the current your product will draw. An undersized cord will cause a drop in line voltage resulting in loss of power and overheating.

⚠ **WARNING** ⚠

**Electric shock may cause SEVERE INJURY or DEATH. Heed these warnings:**

- Do not allow any part of the electric chain saw to make contact with water while it is in operation. If the appliance becomes wet while turned off, wipe dry before starting.
- Use only a UL-, CSA-, or ETL-rated extension cord for outdoor, all-weather use.
- Do not use an extension cord over 100 ft (30 m).
- Do not touch the appliance or its plug with wet hands or while standing in water. Wearing rubber boots offers some protection.

**EXTENSION CORD CHART**

Extension Cord Length	Up to 50 ft (15 m)	+50 ft - 100 ft (+15 m - 30 m)
Wire Gauge (A.W.G.):	16	14

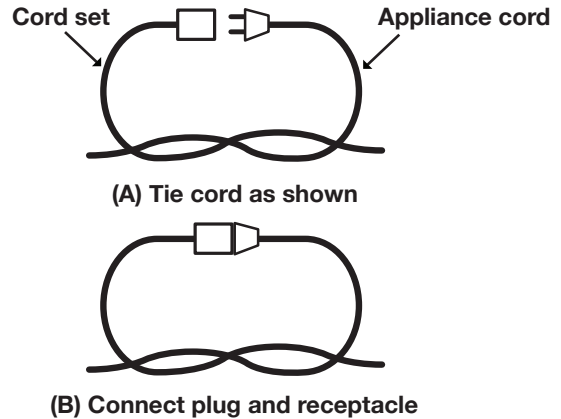
4. To reduce the risk of electric shock, this appliance has a polarized plug (i.e. one blade is wider than the other). Use this appliance only with a polarized UL-, CSA-, or ETL-listed extension cord recommended for outdoor, all-weather use.

The appliance plug will fit into a polarized extension cord only one way. If the appliance plug does not fit fully into the extension cord, reverse the plug. If the plug still does not fit, obtain a correct polarized extension cord. A polarized extension cord will require the use of a polarized wall outlet. The extension cord plug will fit into the polarized wall outlet only one way. If the plug does not fit fully into the wall outlet, reverse the plug. If the plug still does not fit, contact a qualified electrician to install

the proper wall outlet. Do not modify the appliance plug, extension cord receptacle, or extension cord plug in any way.

5. To prevent the appliance cord from disconnecting from the extension cord during operation, use the extension cord restraint hook and/or make a knot as shown in Table 1.

**Table 1. Method of Securing Extension Cord**



6. Do not abuse the cord. Never pull the chain saw by the cord or yank the cord to disconnect it from the receptacle. Keep the cord away from heat, oil, and sharp edges.

## Double-Insulated Appliances

In a double-insulated appliance, two systems of insulation are provided instead of grounding. No grounding means are provided on a double-insulated appliance, nor should a means for grounding be added to the appliance. Servicing a double-insulated appliance requires extreme care and knowledge of the system, and should be performed only by qualified service personnel at an authorized Snow Joe® + Sun Joe® dealer. Replacement parts for a double-insulated appliance must be identical to the parts they replace. A double-insulated appliance is marked with the words "Double Insulation" or "Double Insulated." The symbol (square within a square) may also be marked on the appliance.



**DOUBLE-INSULATED: GROUNDING NOT REQUIRED. WHEN SERVICING, USE ONLY IDENTICAL REPLACEMENT PARTS.**

This electric chain saw is double-insulated, eliminating the need for a separate grounding system. Use only identical replacement parts. Read the instructions before servicing double-insulated appliances. Use this chain saw only as described in this manual.

## Service

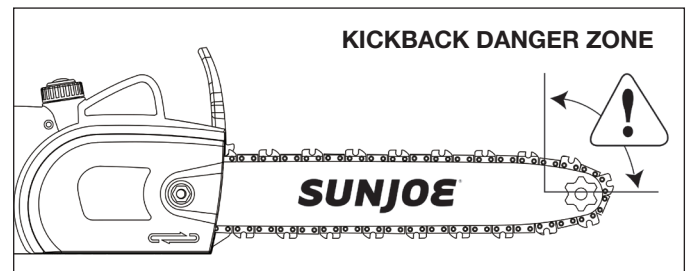
- Have your power tool serviced by a qualified repair person at an authorized Snow Joe® + Sun Joe® dealer using only identical replacement parts or call the Snow Joe® + Sun Joe® customer service center at 1-866-SNOWJOE (1-866-766-9563). This will ensure that the safety of the power tool is maintained.

## Chain Saw Safety Warnings

- Keep all parts of the body away from the saw chain when the chain saw is operating. Before you start the chain saw, make sure the saw chain is not contacting anything. A moment of inattention while operating the chain saw may cause entanglement of your clothing or body with the saw chain.
- Always hold the chain saw with your right hand on the rear handle and your left hand on the front handle. Holding the chain saw with a reversed hand configuration increases the risk of personal injury and should never be done.
- Hold the power tool by insulated gripping surfaces only, because the saw chain may contact hidden wiring or its own cord. Saw chains contacting a "live" wire may make exposed metal parts of the power tool "live" and could give the operator an electric shock.
- Wear safety glasses and hearing protection. If you are using the chain saw every day under normal conditions, you can be exposed to a noise level of 85 dB (A) or higher. Further protective equipment for head, hands, legs and feet is recommended. Adequate protective clothing will reduce personal injury by flying debris or accidental contact with the saw chain.
- Do not operate the chain saw in a tree. Operation of a chain saw while up in a tree may result in personal injury.
- Always keep proper footing and operate the chain saw only when standing on a fixed, secure and level surface. Slippery or unstable surfaces such as ladders may cause a loss of balance or control of the chain saw.
- When cutting a limb that is under tension, be cautious of spring back. When the tension in the wood fibers is released, the spring-loaded limb may strike the operator and/or throw the chain saw out of control.
- Use extreme caution when cutting brush and saplings. The slender material may catch the saw chain and be whipped toward you or pull you off balance.
- Carry the chain saw by the front handle with the chain saw switched off and away from your body. When transporting or storing the chain saw, always fit the guide bar cover. Proper handling of the chain saw will reduce the likelihood of accidental contact with the moving saw chain.
- Follow instructions for lubricating, chain tensioning and changing accessories. An improperly tensioned or poorly lubricated chain may either break or increase the chance for kickback.

- Keep handles dry, clean and free from oil and grease. Greasy, oily handles are slippery and can cause loss of control.
- Cut wood only. Do not use the chain saw for any other purpose. For example, do not use the chain saw to cut plastic, masonry or non-wood building materials. Using the chain saw in these incorrect ways could result in serious damage to you and your tool.

## Kickback Prevention



Kickback is the result of tool misuse and/or incorrect operating procedures or conditions. It occurs when the nose or tip of the guide bar touches an object, or when the wood closes in and pinches the saw chain in the cut. Tip contact in some cases may cause a sudden reverse reaction, kicking the guide bar up and back towards the operator.

This sudden reaction may cause you to lose control of the saw, which could result in serious personal injury.

To avoid kickback and the potential for accident or injury, take the following precautions when operating your chain saw:

- Maintain a firm grip (right hand on the rear handle and left hand on the front handle with thumbs and fingers encircling the respective handles) and position your body and arms to allow you to resist kickback forces. Kickback forces can be controlled by the operator if proper precautions are taken. Do not let go of the chain saw.
- Do not overreach and do not cut above shoulder height. This helps prevent unintended tip contact and enables better control of the chain saw in unexpected situations.
- Only use replacement bars and chains specified by the manufacturer. Incorrect replacement bars and chains may cause chain breakage and/or kickback.
- Follow the manufacturer's sharpening and maintenance instructions for the saw chain. Decreasing the depth gauge height can lead to increased kickback.
- Always observe the safety regulations and follow the correct sawing techniques.

- Ensure safe carrying of the chain saw. Whenever the machine is to be handled or transported, you must:
  - switch off the motor and wait for the chain to come to a complete stop;
  - mount the guide bar cover;
  - hold the machine using the hand grips and position the bar in the opposite direction to that used during operation.

When using a vehicle to transport the chain saw, fasten the tool firmly and position it so that it is not a danger to any passengers.


















- Before cutting, pruning, or delimiting for the first time, make sure:
  - you have been specifically trained to use this type of equipment;
  - you have carefully read the safety regulations and user instructions contained in this manual;
  - you practice first on logs on the ground or attached to trestles/saw horses, in order to get familiar with the machine and the proper cutting techniques.

## **Protection from environmental influences**

1. Wear suitable work clothes. Wear safety goggles.
2. Protect your power tool from moisture and rain. Moisture and rain can cause dangerous electrical and motor damage.
3. Do not use the power tool near vapors and flammable liquids.
4. Use the power tool only in dry conditions and at an ambient temperature of 50°F – 104°F (10°C – 40°C).
5. Store your power tool only in dry locations with an ambient temperature of 50°F – 104°F (10°C – 40°C). Protect the power tool from humidity and direct sunlight.

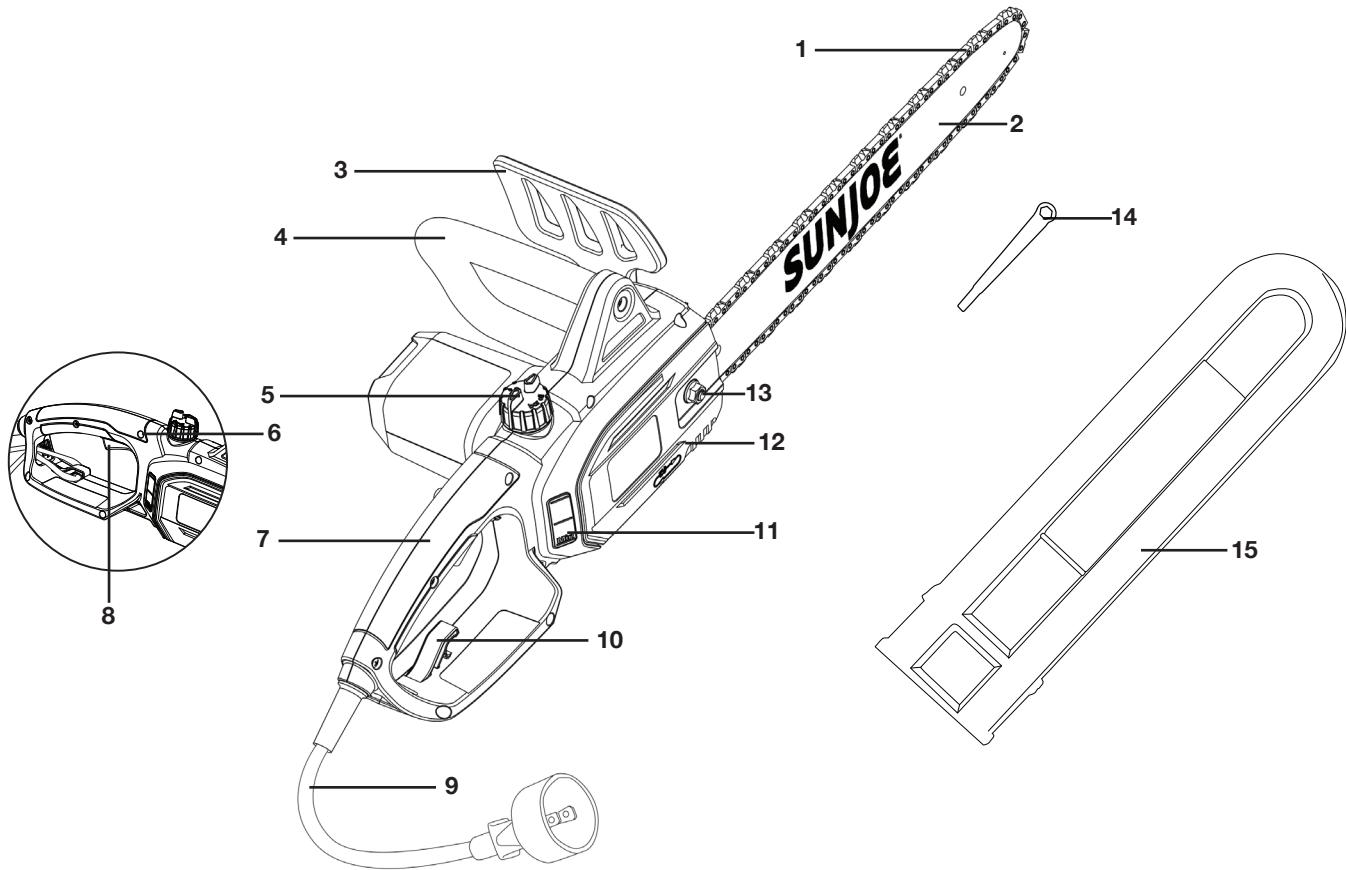
# Safety Symbols

The following table depicts and describes safety symbols that may appear on this product. Read, understand and follow all instructions on the machine before attempting to assemble and operate.

Symbols	Descriptions	Symbols	Descriptions
	<b>READ THE OPERATOR'S MANUAL(S)</b> – Read, understand and follow all instructions in the user manual(s) before attempting to assemble and operate.		Keep bystanders and children a safe distance away.
	<b>SAFETY ALERT</b> – Indicates a precaution, a warning or a danger.		<b>WEAR EYE AND HEARING PROTECTION</b> – For protection against injury, wear ear defenders and safety goggles.
	<b>WARNING!</b> Do not expose the unit to rain or wet conditions.		Wear protective gloves and non-slip footwear when using the machine and handling debris.
 	<b>DANGER! ROTATING BLADES</b> – Keep hands and feet away from openings while the saw is running.		Correct direction of cutting teeth.
 	<b>CAUTION!</b> Avoid contacting the guide bar tip with any object. Tip contact may cause the guide bar to move suddenly upward and backwards, which may cause serious injury to the user.	 	<b>WARNING!</b> Two hands are always to be used when operating the chain saw.
	<b>SWITCH OFF!</b> Remove plug from outlet before cleaning or conducting maintenance checks.		<b>SWITCH OFF!</b> Remove plug from outlet immediately if the cord is damaged or cut.
	The rotating part will continuously run for several seconds after you turn off the machine.		Double Insulation.

# Know Your Electric Chain Saw

Read the owner's manual and safety rules carefully before operating your electric chain saw. Compare the illustration below to the actual unit in order to familiarize yourself with the location of the various controls and adjustments. Save this manual for future reference.



- 1. 14 in. cutting chain
- 2. 14 in. guide bar
- 3. Front hand guard
- 4. Front hand grip
- 5. Oil tank cap
- 6. Safety lock button
- 7. Rear handle
- 8. Trigger switch

- 9. Appliance cord
- 10. Extension cord restraint hook
- 11. Oil level indicator window
- 12. Chain/sprocket end cover
- 13. End cover nut
- 14. Hex key wrench/blade screwdriver
- 15. Cutting bar sheath

## Technical Data

Rated Voltage .....	120 V ~ 60 Hz	Oil Tank Capacity .....	4 fl oz (120 ml)
Power .....	9A	Chain Speed.....	37.7 ft/s (11.5 m/s)
No Load Speed .....	6300 rpm	Net Weight.....	7.7 lbs (3.5 kg)
Bar/Chain Length .....	14 in. (35.6 cm)		
Cutting Thickness Max.....	13.5 in. (34.3 cm)		
	<i>Recommended: 12.5 in. (31.8 cm)</i>		

# Unpacking

## Carton Contents

- Electric chain saw
- 14 in. (35.6 cm) cutting chain (pre-mounted on bar)
- 14 in. (35.6 cm) guide bar
- Dual-tipped hex key wrench/blade screwdriver
- Cutting bar sheath
- Manual with registration card

1. Carefully remove the chain saw and check to see that all of the above items are supplied.
2. Inspect the product carefully to make sure no breakage or damage occurred during shipping. If you find damaged or missing parts, DO NOT return the unit to the store. Please call the Snow Joe® + Sun Joe® customer service center at 1-866-SNOWJOE (1-866-766-9563).

**NOTE:** Do not discard the shipping carton and packaging material until you are ready to use your new electric chain saw. The packaging is made of recyclable materials. Properly dispose of these materials in accordance with local regulations.

**IMPORTANT!** The equipment and packaging material are not toys. Do not let children play with plastic bags, foils, or small parts. These items can be swallowed and pose a suffocation risk!

## Assembly

**⚠ WARNING!** Always wear heavy-duty gloves when handling the bar and chain. Mount the bar and chain very carefully to ensure the safety and efficiency of the machine. If in doubt, contact an authorized Snow Joe® + Sun Joe® dealer or call the Snow Joe® + Sun Joe® customer service center at 1-866-SNOWJOE (1-866-766-9563).

**⚠ WARNING!** Unpacking and assembly should be completed on a flat and stable surface, with adequate space for moving the machine and its packaging.

**⚠ DANGER!** Never start the motor before installing the guide bar, chain, and chain cover. Without all these parts in place, the clutch/sprocket can fly off or explode, exposing the user to potentially serious injuries.

**⚠ WARNING!** To avoid serious personal injury, read and understand all safety instructions provided.

**⚠ WARNING!** Before performing any maintenance, make sure the tool is unplugged from the power supply. Failure to heed this warning could result in serious personal injury.

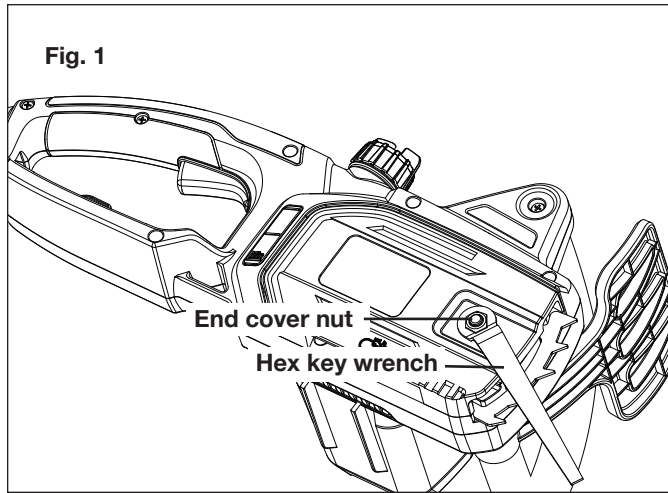
## Installing the Guide Bar + Chain

Tools and supplies required:

- Dual-tipped hex key wrench/blade screwdriver (supplied)
- Heavy-duty work gloves

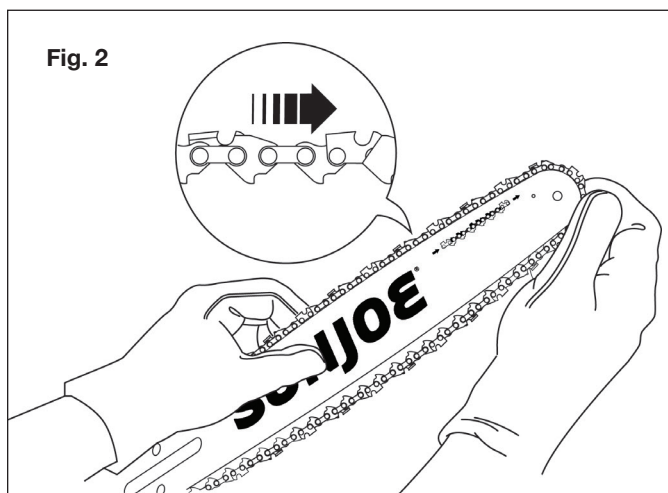
**NOTE:** When replacing the guide bar and chain, use only identical replacement parts. Make sure the chain saw is disconnected from the power supply before proceeding with installation.

1. Use the hex key wrench to unscrew the end cover nut and remove the chain/sprocket end cover (Fig. 1).



**NOTE:** When you first purchase your chain saw, the chain will come pre-mounted on the guide bar for easy installation. Refer only to the instructions for fitting the bar (see step 3). Should you need to replace the chain in the future, follow all the steps detailed below.

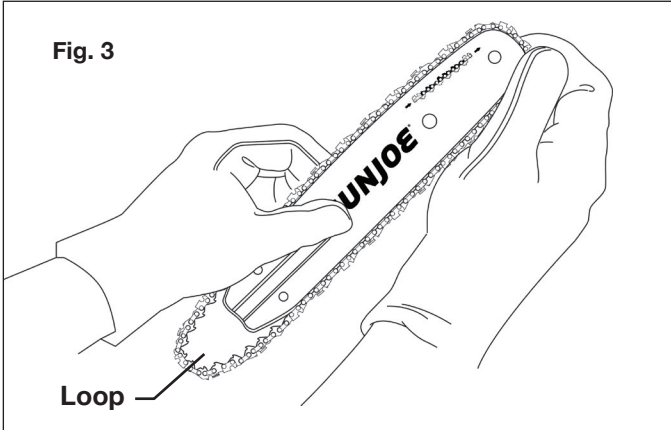
2. Lay out the new saw chain in a loop and straighten any kinks. **THE SHARP SIDE OF THE TEETH MUST FACE AWAY FROM YOU AND IN THE DIRECTION OF THE CHAIN ROTATION INDICATED ON THE GUIDE BAR.** If the teeth face backwards, turn the loop over (Fig. 2).



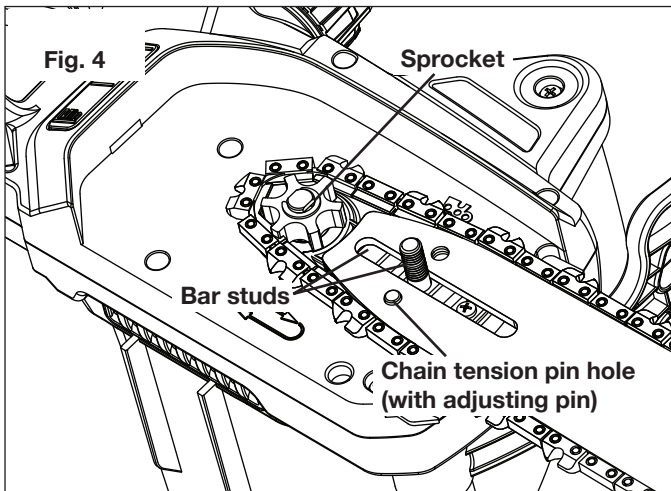


- Starting at the tip, mount the chain drive links into the bar groove, leaving a loop at the back of the bar. The chain will loosely fit until it is placed on the sprocket (Fig. 3).

**NOTE:** Make certain of the direction of the chain. If the chain is mounted backwards, the saw will vibrate abnormally and will not cut.

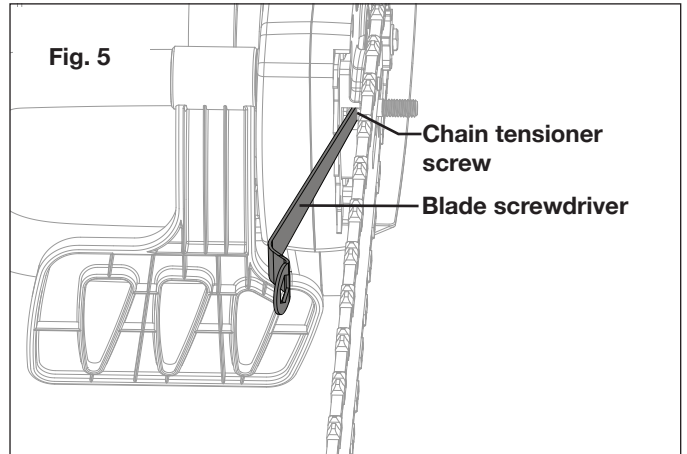


- Hold the chain in position on the bar and place the loop around the sprocket. Fit the bar flush against the mounting surface so that the bar studs are in the long slot of the bar and the adjusting pin is in the chain tension pin hole (Fig. 4).

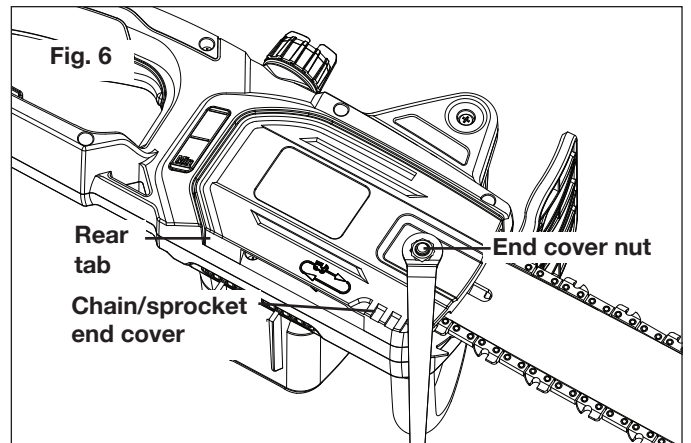


**NOTE:** If the adjusting pin will not reach the chain tension pin hole, turn the chain tensioning screw counter-clockwise until the pin hole aligns with the adjusting pin.

- While keeping the bar and chain flush against the mounting surface, adjust the chain tension as needed by adjusting the chain tensioner screw with the supplied flat-tip blade screwdriver. Turn the chain tensioner screw clockwise to tightening the chain, or counter-clockwise to loosen the chain (Fig. 5).

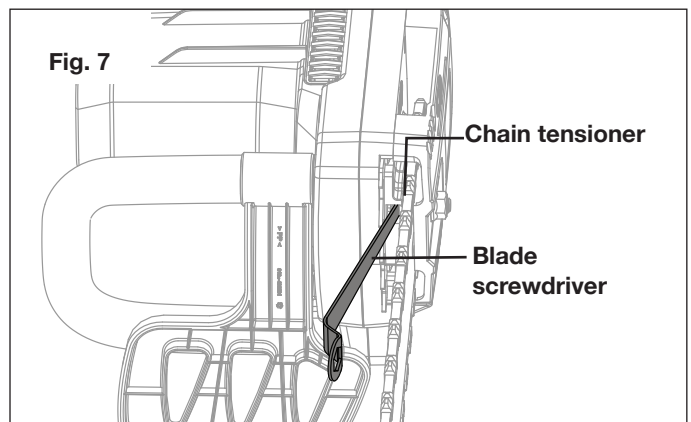


- Replace the chain/sprocket end cover by inserting the rear tab first into the rear tab slot and position the cover over the bar end. Tighten the end cover nut; leave the bar loose enough to move slightly for tension adjustment (Fig. 6).



- Remove all slack from the chain by turning the chain tensioner screw clockwise until the chain seats snugly against the bar with the drive links flush inside the bar groove (Fig. 7).

**NOTE:** The chain is correctly tensioned when there is no sag on the underside of the guide bar; the chain is snug, but can be rotated by hand without binding. For more information on chain tensioning, see the maintenance section beginning on pg. 17.



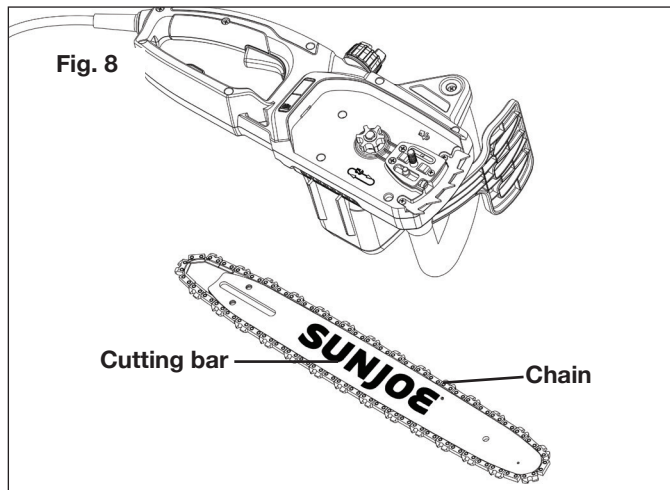
8. Tighten the end cover nut completely using the hex key wrench.

**NOTE:** If the chain is too tight, it will not rotate. Loosen the end cover nut slightly and turn the chain tensioner 1/4 turn counterclockwise. Lift the tip of the guide bar up and retighten the end cover nut. Ensure that the chain can be rotated by hand without binding.

**NOTE:** A new chain tends to stretch; check the chain tension frequently, and adjust tension as required.

## Replacing the Guide Bar + Chain

1. Disconnect the chain saw from the power supply.
2. Use the supplied hex key wrench to unscrew the end cover nut to remove the chain/sprocket end (Fig. 1).
3. Remove the cutting bar and chain from the mounting surface (Fig. 8).



4. Remove the old chain from the bar.
5. To lay out and install the new saw chain properly, follow steps 2 to 6 from the section "Installing the Guide Bar + Chain" beginning on page 8.

## Preparing To Work

### Checking the Machine

**⚠ WARNING!** Before performing any checks, adjustments, repairs, or maintenance on the machine, make sure the unit is not connected to the power supply.

Before starting work, please:

- Check that all the screws on the machine and the guide bar are tightly fastened;
- Check that the chain is correctly tensioned, properly sharpened, and there are no signs of any damage;
- Check that hand grips and protection devices are clean and dry, correctly mounted, and securely fastened to the machine;
- Check that the trigger switch and the safety button move freely without forcing and return automatically and rapidly back to their neutral positions;

- Check that the trigger switch remains locked until the safety button is pressed;
- Make sure the cooling air vents are not clogged with sawdust or debris;
- Check that the chain's oil level is not below the "MIN" level mark; if necessary, top up the oil to 1 cm from the rim of the filler.

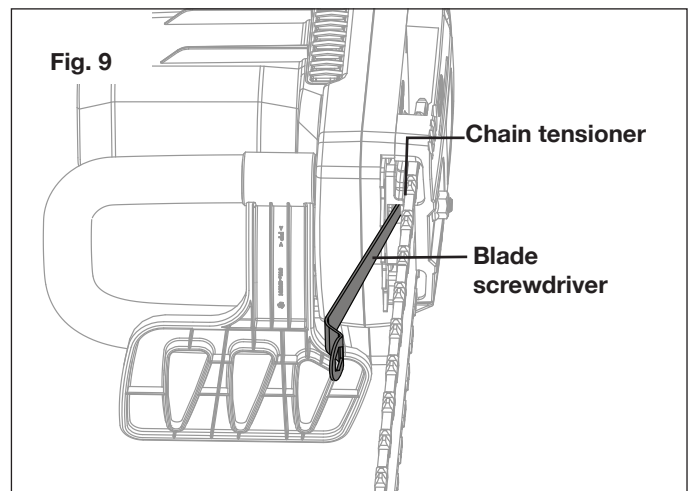
**NOTE:** You must fill the chain oil tank with bar and chain oil before using your chain saw.

## Adjusting the Chain Tension

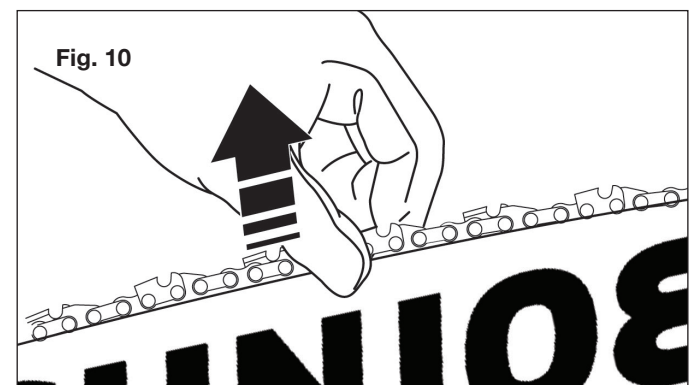
**⚠ WARNING!** Before performing any checks, adjustments, repairs, or maintenance on the machine, make sure the tool is unplugged from the power supply.

**⚠ CAUTION!** The chain will continue to run for several seconds after turning off the tool.

1. Loosen the end cover nut until it is hand-tight. Use the flat-tip blade screwdriver to turn the chain tensioner screw clockwise to tension the chain. A cold chain will be correctly tensioned when there is no slack on the underside of the guide bar; the chain is snug, but it can be turned by hand without binding (Fig. 9).



2. The tension is correct when the drive links on the chain do not slip out of the chain guide on the bar when the chain is pulled up from the middle of the bar (Fig. 10).



## Chain Lubricant

**⚠ CAUTION!** Failure to lubricate the chain will cause damage to the chain and bar. Use a good quality bar and chain oil designed specifically for use with chain saws. Bar and chain oil can be purchased at your local hardware store or online at [sunjoe.com](http://sunjoe.com).

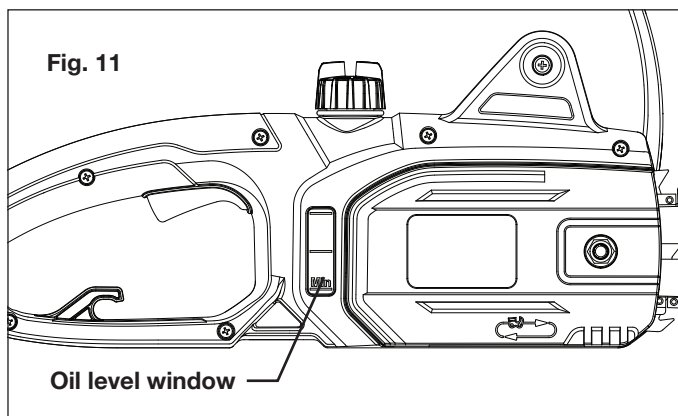
**NOTE:** It is normal for oil to seep from the saw when not in use. To prevent seepage, empty the oil tank after each use. When storing the unit for a long period of time (3 months or longer), be sure the chain is lightly lubricated. This will prevent rust on the chain and the bar sprocket.

**⚠ WARNING!** Do not use the chain saw with any type of accessory or attachment. Such usage might be hazardous.

## Operation

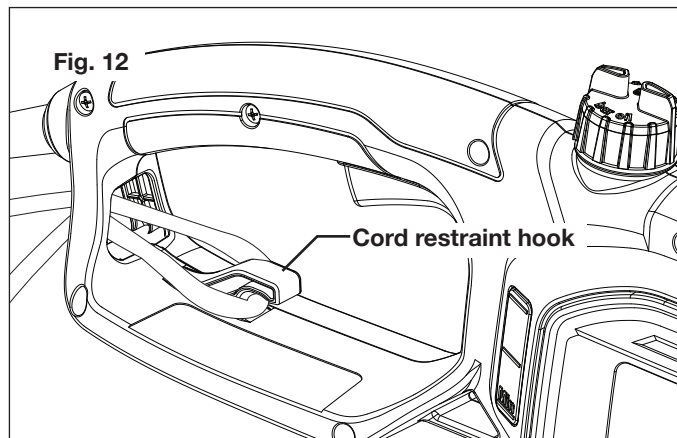
### Starting the Machine

Before starting the chain saw, remove the oil tank cap and add bar and chain oil to the top of the oil level window (Fig. 11). One minute of use will consume approximately 0.2 fl oz (6 ml) of oil. Refill when the oil level drops to 1/4 of a tank.

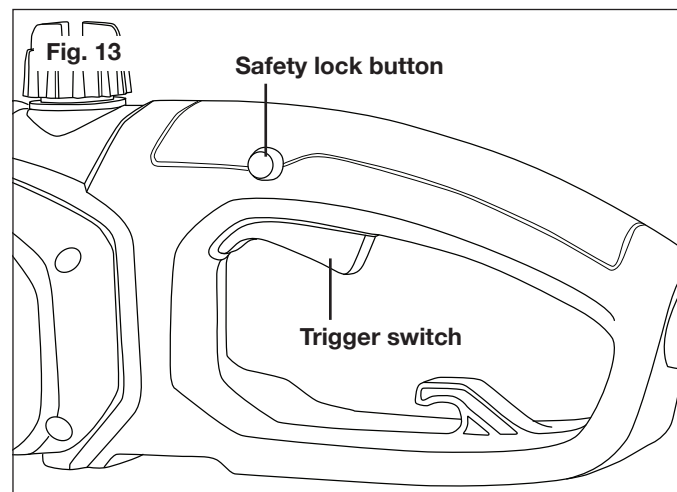


**NOTE:** Your electric chain saw is equipped with an automatic oil pump for bar and chain oiling. You must add bar and chain oil in order for your chain saw to work.

1. Connect the electric chain saw to a working 120 V outlet using a heavy-duty outdoor extension power cord.
2. Make a loop in the power cord and push it up through the hole in the handle and around the cord restraint hook (Fig. 12), then connect the extension cord to the appliance cord.



3. Make sure the guide bar is not touching the ground or any other object.
4. Hold the chain saw firmly with both hands.
5. To turn the tool ON, push and hold the safety lock button with your thumb, then squeeze the trigger with your fingers. Once the tool is running, release the safety lock button (Fig. 13).



6. To turn the tool OFF, release the trigger switch (Fig. 13).

**NOTE:** Do not press the trigger switch until you are ready to make a cut.

## Operating Tips

**⚠ WARNING!** For your safety and that of others:

1. Do not use the machine without reading the instructions carefully. Become acquainted with the controls and the proper use of the machine. Learn how to stop the machine quickly.
2. Keep in mind that the operator or user is responsible for accidents or hazards occurring to other people or their property.
3. Always wear suitable clothing when using the machine. Wear anti-vibration gloves and other personal protective equipment.

**NOTE:** All the above-mentioned precautions do not, however, guarantee the prevention of certain risks – i.e. Raynaud’s phenomenon or carpal tunnel syndrome. For operators who use this machine for prolonged periods, it is recommended to have periodic checkups on their hands and fingers. If any of the above mentioned symptoms should appear, please contact a physician immediately.

4. Work only in daylight or good artificial light.
5. Take utmost care when working near metal fences.
6. Take care not to hit the bar hard against foreign objects or flying debris caused by the movement of the chain.
7. Do not operate the chain saw in a tree, on a ladder, or on a scaffold. This is extremely dangerous.
8. Use extreme caution when cutting small brush, saplings, or limbs under tension. Such slender and tense material may catch the saw and whip back towards you, pull you off balance, or spring back.
9. Do not cut vines and/or small underbrush.
10. Before you start the unit, make sure the chain saw is not contacting any object.

**⚠ CAUTION!** The chain coasts after the saw is turned off. Do not use the tool under wet conditions.

**IMPORTANT!** Always remember that an incorrectly used chain saw may harm or disturb others and have a serious impact on the environment.

To respect people and the environment:

- Avoid using the machine in environments or at times of the day when it may disturb others.
- Scrupulously comply with local regulations and provisions for the disposal of waste materials after sawing.
- Scrupulously comply with local regulations and provisions for the disposal of oils, damaged parts, or any elements that have a strong impact on the environment.
- A certain amount of chain lubricating oil is released into the environment when the machine is running, so only use biodegradable oils made specifically for this use.
- To avoid the risk of fire, do not leave the machine with a hot engine on leaves or dry grass.

**⚠ WARNING!** Prolonged exposure to vibrations can cause injuries and neurovascular disorders (also called “Raynaud’s syndrome” or “white hand”), especially to people suffering from circulation disorders. The symptoms can effect the hands, wrists, and fingers and manifest with loss of sensitivity, numbness, itching, pain, and discoloring of or visible changes to the skin. These effects can be worsened by low ambient temperatures and/or by gripping the hand grips too tightly. If the symptoms occur, the length of time the machine is used must be reduced and a doctor consulted.

## Checks During Work

### • Checking the chain tension

The chain tends to stretch gradually as you work, so you need to check its tension frequently.

**IMPORTANT!** During the first period of use (or after replacing the chain), the chain tension must be checked more frequently due to settling of the chain.

**⚠ WARNING!** Never work with the chain loose, as it can be hazardous if the chain slips out of the guide rails.

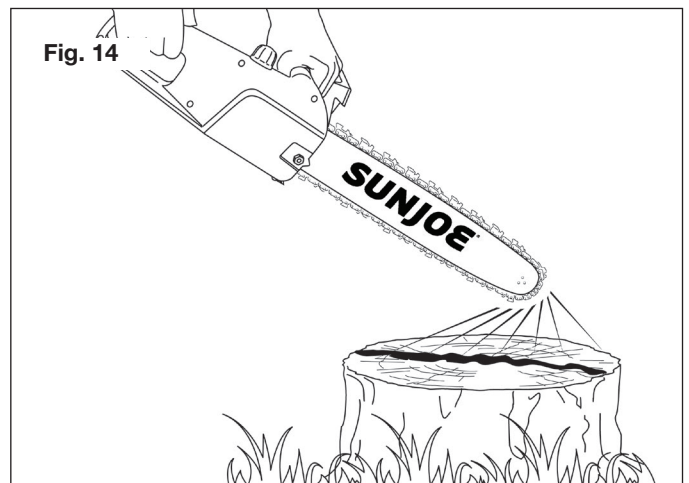
To adjust the chain tension, follow the instructions in “Adjusting the Chain Tension” on page 11.

### • Checking the oil delivery

**IMPORTANT!** Never use the machine without lubrication! You can check the oil level in the tank through the transparent gauge. Make sure you fill up the oil tank every time you use the machine. For best results, use only a good quality bar and chain oil designed specifically for use with chain saws.

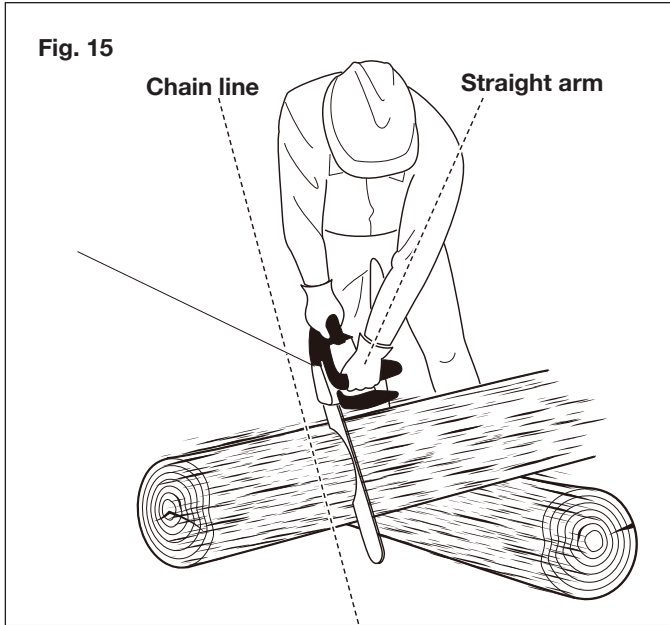
**⚠ WARNING!** Make sure the bar and the chain are in place when you check the oil delivery.

Start the motor and check if the chain oil is delivered as shown below (Fig. 14).



## Proper Cutting Stance

1. Weight should be balanced with both feet on solid ground.
2. Keep your left arm and elbow locked in a "straight arm" position to withstand any kickback force (Fig. 15).



3. Your body should always be to the left of the chain line.

## Basic Cutting Procedures

1. Small trees up to 6 – 7 inches in diameters are usually cut in a single cut. Notch cuts determine the direction the tree will fall.

**⚠️ WARNING!** If the tree starts to fall in a wrong direction, or if the saw got caught or hung up during the fall, leave the saw and save yourself.

**⚠️ WARNING!** Periodically glance at the top of the tree during the back-cut to ensure the tree is going to fall in the desired direction.

2. Practice cutting a few small logs using the following techniques to get the feel of using the saw before you begin a major sawing operation.
3. Take the proper stance in front of the wood with the saw turned off.
4. Squeeze the trigger and let the chain accelerate to full speed before entering the cut.
5. Hold the saw with both hands firmly. Always keep your left hand on the front handle and your right hand on the rear handle so that your body is to the left of the chain line.
6. Keep the unit running the entire time you are cutting, maintaining a steady speed.
7. Let the chain do the work; exert only light downward pressure. If you force the cut, damage to the bar, chain, or unit can result.
8. Do not put the pressure on the saw at the end of the cut.
9. Always cut with both feet on solid ground to prevent falling.
10. Do not cut above chest height since it is difficult to control kickback forces with a saw held high.

## Cutting Techniques

Before felling or delimiting for the first time, practice sawing logs on the ground or on trestles, so that you can get familiar with the machine and the most suitable sawing techniques. When felling a tree, keep everyone a safe distance from the cutting area. The safest distance should be at least twice the height of the largest trees in the felling area.

**⚠️ WARNING!** Always hold the machine with both hands when sawing.

**⚠️ WARNING!** Stop the motor immediately if the chain stops during sawing. Beware of kickback, which can occur if the bar contacts an obstacle.

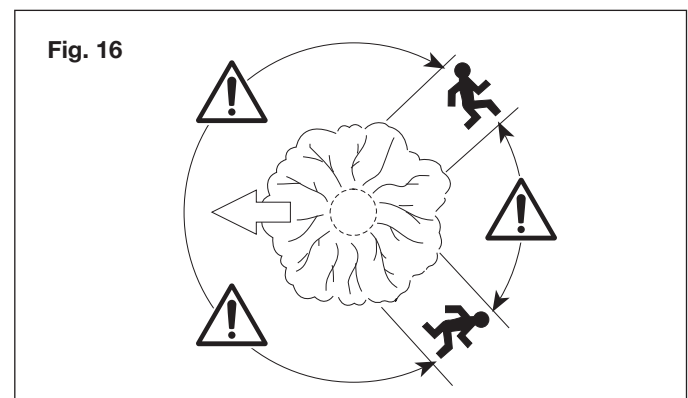
### • Felling a tree

- I) When bucking and felling are performed by two or more people at the same time, the felling operation should be separated from the bucking operation by a distance of at least twice the height of the tree being felled. Trees should not be felled in any manner that could endanger a person, strike a utility line, or cause property damage. If the tree does make contact with a utility line, the utility company should be notified immediately.

**⚠️ WARNING!** Check the tree for damaged or dead branches that could fall off and hit you during the felling process.

- II) The chain saw operator should stay on the uphill side of the terrain, as the tree is likely to roll or slide downhill after it is felled.

- III) Plan an escape path and clear the appropriate area before starting to work. The escape path should extend back and diagonally to the rear of the expected line of fall as illustrated (Fig. 16).



- IV) Before starting to fell, consider the natural lean of the tree, the location of larger branches, and the wind direction to help you judge the direction in which the tree will fall.

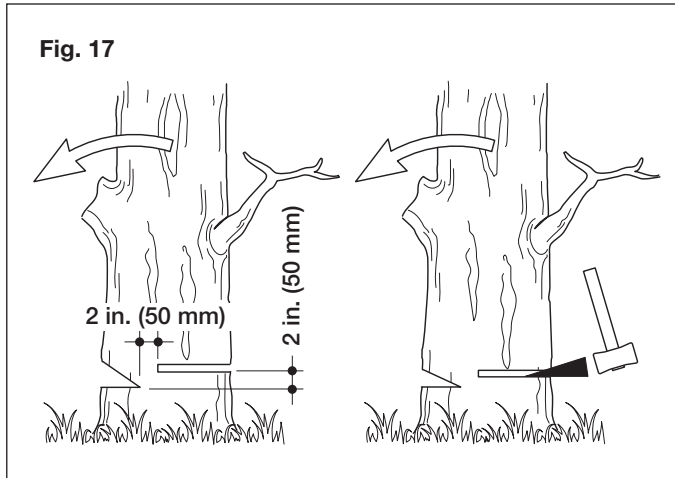
**⚠️ WARNING!** Do not fell trees during periods of high wind or heavy precipitation. Wait for favorable conditions to do your cutting.

**⚠ WARNING!** Do not cut down trees that have an extreme lean or large trees that have rotten limbs, loose bark, or hollow trunks. Have these trees pushed or dragged down with heavy equipment, and then cut.

**V** Remove dirt, stones, loose bark, nails, staples, and wire from the tree to be cut.

- **Notching undercut**

Make the notch 1/3 the diameter of the tree, perpendicular to the direction of the fall as illustrated (Fig. 17).



Make the lower horizontal notching cut first.

This will help to avoid pinching either the saw chain or the guide bar when the second notch is made.

- **Felling back cut**

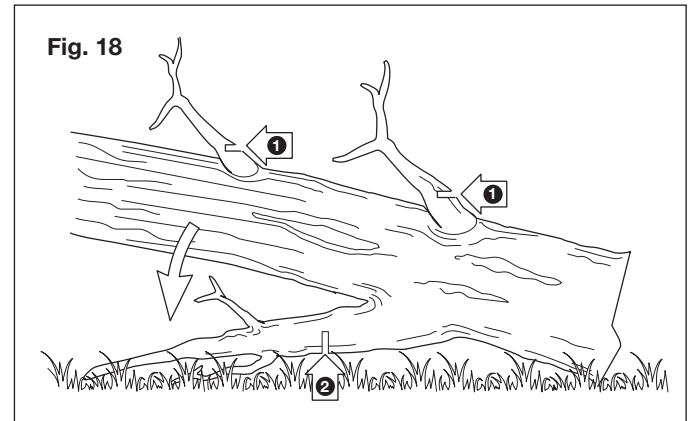
**I)** Make the felling back cut at least 2 in. (50 mm) higher than the horizontal notching cut as illustrated (Fig. 18). Keep the felling back cut parallel to the horizontal notching cut. Strategically position the felling back cut so that enough wood is left to act as a hinge. The hinge wood keeps the tree from twisting and falling in the wrong direction. Do not cut through the hinge.

**II)** As the felling gets close to the hinge, the tree should begin to fall. If there is any chance that the tree may not fall in the desired direction or it may rock back and bind the saw chain, stop cutting before the felling back cut is complete and use wedges of wood, plastic, or aluminium to open the cut and drop the tree along the desired line of fall.

**III)** When the tree begins to fall, remove the chain saw from the cut, stop the motor, put the chain saw down, then use the retreat path planned. Stay alert for falling limbs overhead and watch your footing.

- **Limbing a tree**

Limbing is the process in which branches are removed from a fallen tree. When limbing, leave larger lower limbs to support the log off the ground. Remove the small limbs in one cut as illustrated (Fig. 18). Branches under tension should be cut from the bottom up to avoid binding the chain saw.

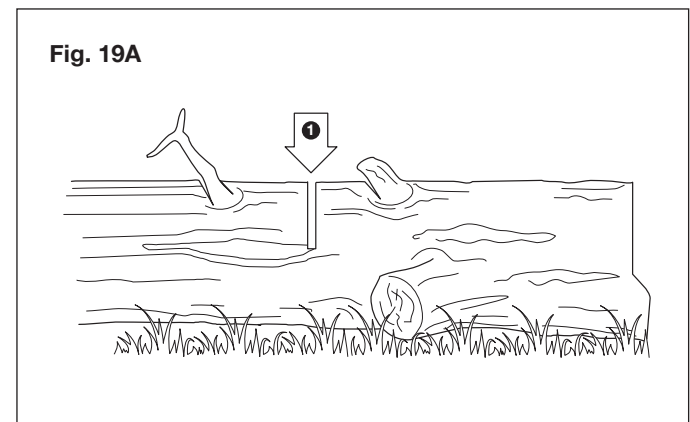


**⚠ WARNING!** Pay special attention to where the branches are lying on the ground and recognize the following risks: 1) the branches may be under tension; 2) the direction in which the branch will fall may differ from that anticipated; 3) the tree may be unstable after the branch has been cut.

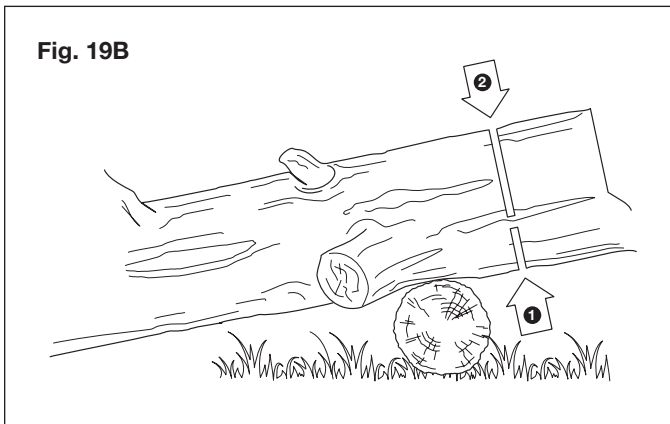
- **Bucking a log**

Bucking is the process in which a log is cut into lengths. It is important to make sure your footing is firm and your weight is evenly distributed on both feet. When possible, the log should be raised and supported by the use of limbs, logs, or chocks. Follow these simple directions for easy cutting:

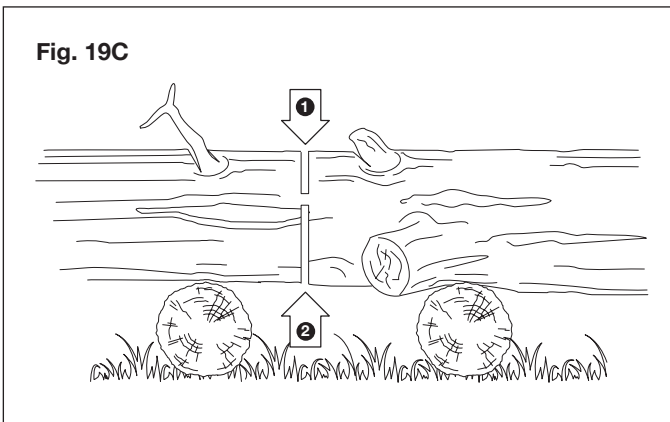
**I)** When the log is supported along its entire length as illustrated (Fig. 19A), cut from the top (overbuck).



- II) When the log is supported on one end (Fig. 19B), cut 1/3 the diameter from the underside (underbuck). Then make the finishing cut by overbucking to meet the first cut.

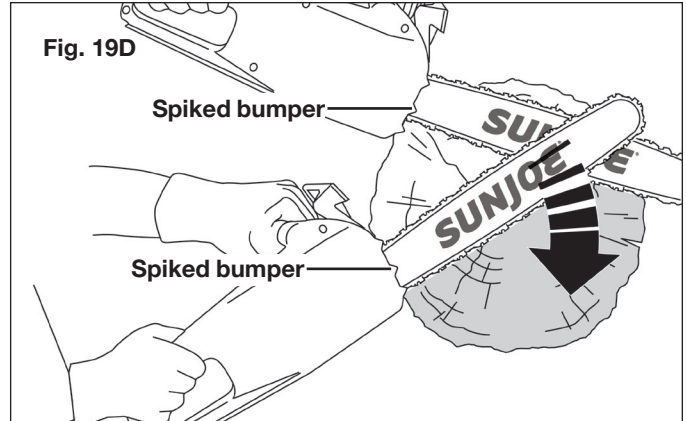


- III) When the log is supported on both ends (Fig. 19C), cut 1/3 the diameter from the top (overbuck). Then make the finishing cut by underbucking the lower 2/3 to meet the first cut.



- IV) It is easier to saw a log using the spiked bumper (Fig. 19D).

- Dig the spiked bumper into the log and use it as a pivot. Cut with an arched motion to make the bar penetrate the wood.
- Repeat several times if necessary, changing the point where you plant the spiked bumper.
- When bucking on a slope, always stand on the uphill side of the log (Fig. 20). When cutting through the log, maintain control by releasing the cutting pressure near the end of the cut without relaxing your grip on the chain saw handles. Do not let the chain contact the ground.



After completing the cut, wait for the saw chain to stop before you move the chain saw. Always stop the motor before moving from tree to tree.



## Finishing Work

When you have finished your work:

- Switch off the motor and unplug the unit from the power source.
- Wait for the chain to stop and allow the machine to cool.
- Remove any traces of sawdust or oil deposits from the chain.
- If there is excessive dirt or resin build-up, disassemble the chain and place it in a container with a suitable cleanser. Then rinse it with clean water and treat it with a suitable anticorrosive spray before reassembling it on the machine.
- Fit the cutting bar sheath onto the bar before storing.

**⚠ WARNING!** Let the motor cool completely before storing the chain saw in any enclosed space.

To reduce fire hazards, clean the machine thoroughly to remove sawdust, branches, leaves, or excess grease. Never leave containers with cut debris inside the storage area.

# Maintenance

Please contact an authorized Snow Joe® + Sun Joe® dealer or call the Snow Joe® + Sun Joe® customer service center at 1-866-SNOWJOE (1-866-766-9563) for all maintenance operations not foreseen in this manual. Any operation performed in an unauthorized service center or by unqualified personnel will completely invalidate the warranty.

**⚠ WARNING!** For your safety and that of others:

- Correct maintenance is essential to maintain the original efficiency and safety of the machine over time.
- Keep all nuts, bolts, and screws tight to be sure the equipment is in safe working condition.
- Never use the machine with worn or damaged parts. Damaged parts are to be replaced and never repaired.
- Only use original Snow Joe® + Sun Joe® replacement parts. Parts that are not of the same quality can seriously damage the equipment, compromise safety, and invalidate the warranty.

**⚠ WARNING!** Always unplug the unit from the power source before performing any adjustments, maintenance, or repairs to your electric chain saw.

- Use protective gloves when handling the bar and chain.
- Keep the protective cutting bar sheath on, except when intervening directly on the bar or the chain.
- Never dispose of oils or other pollutants in unauthorized places.

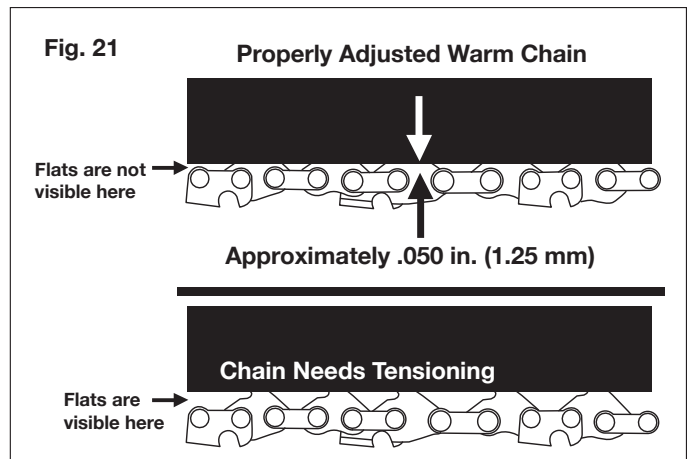
## Motor Cooling

To avoid overheating and damage to the motor, always keep the cooling air vents clean and free of sawdust and debris.

## Chain Tension

Check the chain tension before using the saw when the chain is cold. The correct tension of a cold chain is when there is no slack on the underside of the guide bar; the chain is snug, but you can rotate it by hand without binding.

During normal saw operation, the temperature of the chain will increase. The drive links of a correctly tensioned warm chain will hang approximately 0.050 in. (1.25 mm) out of the bar groove (Fig. 21). Be aware that a chain tensioned while warm may be too tight upon cooling. Check the “cold tension” before next use. The chain must be re-tensioned whenever the flats on the drive links hang out of the bar groove (Fig. 21).



**NOTE:** A new chain tends to stretch. Check the chain tension frequently and re-tension as needed.

## Nuts + Screws

Periodically check that all the nuts and screws are securely tightened and the hand grips are tightly fastened.

## Chain Sharpening

**⚠ WARNING!** To ensure that the chain saw works safely and efficiently, it is essential that the cutting components are well-sharpened. **It is highly recommended to replace the chain once it loses its ability to cut cleanly and safely.** It is possible, however, to sharpen the existing chain if the sharpening is carefully performed. Any work on the chain and bar requires specific experience and special tools. For safety purposes, we recommend you contact an authorized Snow Joe® + Sun Joe® dealer or call the Snow Joe® + Sun Joe® customer service center at 1-866-SNOWJOE (1-866-766-9563).

Sharpening is necessary when:

- The sawdust looks like dust.
- Cutting becomes more difficult.
- The cut is not straight.
- Vibrations increase.

An authorized service center will sharpen the chain using the right tools to ensure minimum removal of material and even sharpness on all the cutting edges.

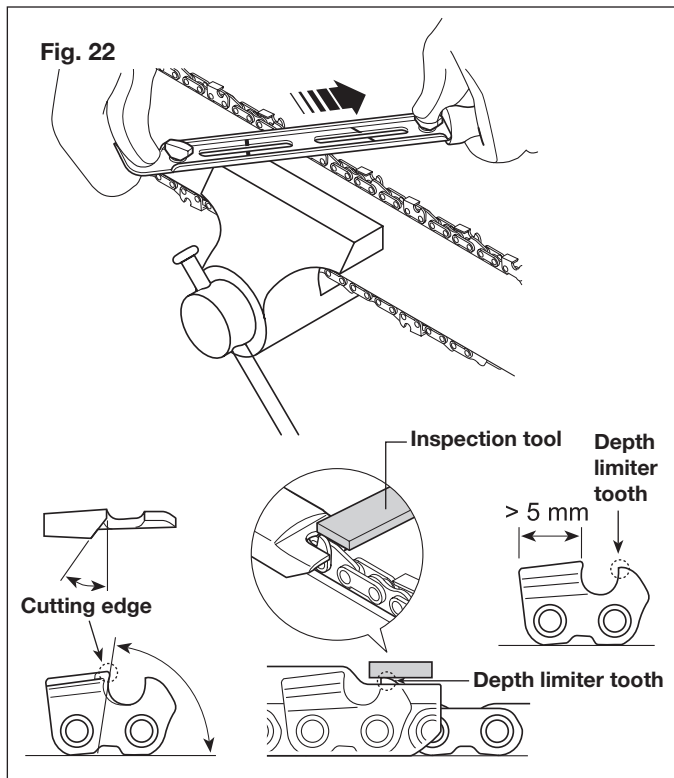
If you sharpen the chain yourself, use special round-section files with the diameter of 5/32 inch (4 mm). You need a certain amount of skill and experience to avoid damaging the cutting edges.

Sharpen the chain as follows (Fig. 22):

- Secure the bar firmly, with the chain mounted, in a suitable vice.
- Tighten the chain if it is loose.



- Mount the file in the guide and then insert it in the tooth at a constant angle from the cutting edge.
- Sharpen in a forward motion a few times and repeat this on all the cutting edges facing the same way (right or left).
- To move the chain forward, use a screwdriver.
- Turn the bar over in the vice and repeat on all the other cutting edges.
- Check that the depth limiter tooth does not stick out farther than the inspection tool and file any projecting parts with a flat file, rounding off the edges (Fig. 22).
- After sharpening, remove all traces of filing and dust and lubricate the chain in an oil bath. Replace the chain whenever:
  - the length of the cutting edges decreases to 5 mm or less;
  - there is too much play between the links and the rivets.



## Guide Bar Maintenance

When the guide bar shows signs of wear, turn it over on the saw to distribute the wear for maximum bar life. Feathering or burring of the bar rails is a normal process of bar wear. You should smooth such faults with a file as soon as they occur.

Replace a bar with any of the following faults:

- wear inside the bar rails permitting the chain to lay over sideways;
- bent guide bar;
- cracked or broken rails;
- spread rails.

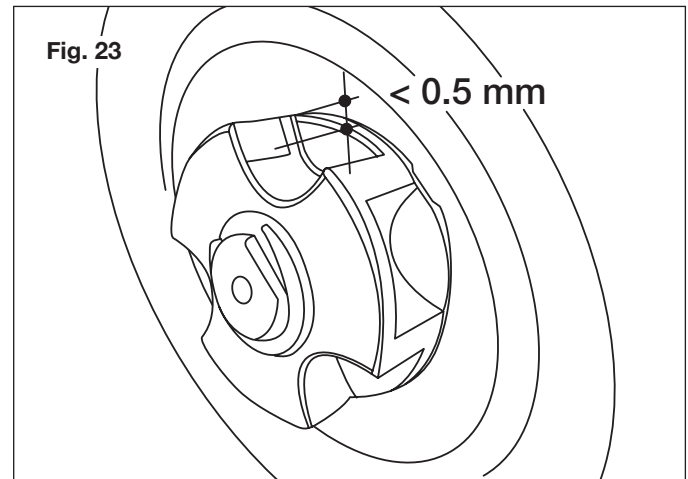
Turn the saw over, check the underside of the guide bar, and make sure that the lubrication holes and chain groove are free from impurities.

You can purchase replacement parts for your Sun Joe® SWJ599E electric chain saw online at sunjoe.com or, to order by phone, contact Snow Joe® + Sun Joe® customer service at 1-866-SNOWJOE (1-866-766-9563).

## Chain Sprocket

Regularly check the condition of the sprocket and replace it when wear exceeds 0.5 mm (Fig. 23).

Do not mount a new chain with a worn sprocket or vice-versa.



## Storage

After every work session, clean the machine thoroughly to remove all dust and debris and slide the bar sheath over the cutting bar. Repair or replace any faulty parts on the unit.

Store the machine in a dry, locked place out of the reach of children.

## Support

If your Sun Joe® SWJ599E electric chain saw requires service or maintenance, please call 1-866-SNOWJOE (1-866-766-9563) for assistance.

## Model and Serial Numbers

When contacting the company, reordering parts, or arranging service from an authorized dealer, you will need to provide the model and serial numbers, which can be found on the decal located on the housing of the unit. Copy these numbers into the space provided below.



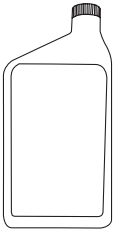
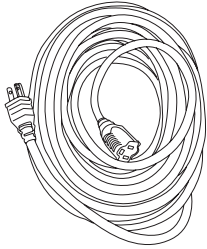
Record the following numbers from the housing or handle of your new product:	
Model #:	_____
Serial #:	_____

# Troubleshooting

Fault	Possible Cause	Remedy
The motor does not start when you switch it on	<ul style="list-style-type: none"> <li>• Cord not connected to the power source</li> </ul>	<ul style="list-style-type: none"> <li>• Make sure that the cord is connected to a power source</li> </ul>
	<ul style="list-style-type: none"> <li>• Trigger switch not operational</li> </ul>	<ul style="list-style-type: none"> <li>• Check safety lock button is fully depressed prior to engaging the trigger switch</li> </ul>
	<ul style="list-style-type: none"> <li>• Extension cord not connected to the plug</li> </ul>	<ul style="list-style-type: none"> <li>• Check extension cord is fully connected to the tool</li> </ul>
	<ul style="list-style-type: none"> <li>• Extension cord or power cable damaged</li> </ul>	<ul style="list-style-type: none"> <li>• Repair or replace the damaged cord</li> </ul>
	<ul style="list-style-type: none"> <li>• Worn motor brushes</li> </ul>	<ul style="list-style-type: none"> <li>• Motor brushes must be replaced</li> </ul>
Bar and chain running hot and smoking	<ul style="list-style-type: none"> <li>• Chain tension too tight</li> </ul>	<ul style="list-style-type: none"> <li>• Adjust chain tension</li> </ul>
	<ul style="list-style-type: none"> <li>• Oil tank empty</li> </ul>	<ul style="list-style-type: none"> <li>• Fill tank with chain oil</li> </ul>
	<ul style="list-style-type: none"> <li>• Chain installed backwards</li> </ul>	<ul style="list-style-type: none"> <li>• Reverse chain so that cutters face the right direction</li> </ul>
Motor runs but chain is not rotating	<ul style="list-style-type: none"> <li>• Chain tension too tight</li> </ul>	<ul style="list-style-type: none"> <li>• Adjust chain tension</li> </ul>
	<ul style="list-style-type: none"> <li>• Guide bar and chain may be damaged</li> </ul>	<ul style="list-style-type: none"> <li>• Replace the chain and bar with identical replacement parts</li> </ul>
Poor cutting performance	<ul style="list-style-type: none"> <li>• Blunt saw chain</li> </ul>	<ul style="list-style-type: none"> <li>• Sharpen or replace the saw chain</li> </ul>
	<ul style="list-style-type: none"> <li>• Incorrect chain tension</li> </ul>	<ul style="list-style-type: none"> <li>• Check chain tension</li> </ul>
	<ul style="list-style-type: none"> <li>• Saw chain fitted incorrectly</li> </ul>	<ul style="list-style-type: none"> <li>• Check saw chain orientation</li> </ul>
Chain jumps off guide bar	<ul style="list-style-type: none"> <li>• Incorrect chain tension</li> </ul>	<ul style="list-style-type: none"> <li>• Check chain tension</li> </ul>
Chain works with difficulty	<ul style="list-style-type: none"> <li>• Incorrect chain tension</li> </ul>	<ul style="list-style-type: none"> <li>• Check chain tension</li> </ul>

## Optional Accessories

**⚠️ WARNING!** ALWAYS use only authorized Snow Joe® + Sun Joe® replacement parts and accessories. NEVER use replacement parts or accessories that are not intended for use with this saw. Contact Snow Joe® + Sun Joe® if you are unsure whether it is safe to use a particular replacement part or accessory with your saw. The use of any other attachment or accessory can be dangerous and could cause injury or mechanical damage.

Accessories	Item	Model
<p>①</p> 	<p>14-inch (35.6 cm) guide bar</p>	<p>SWJ-14BAR</p>
<p>②</p> 	<p>14-inch (35.6 cm) chain</p>	<p>SWJ-14CHAIN</p>
<p>③</p> 	<p>Bar + chain oil</p>	<p>SWJ-OIL (sold at sunjoe.com or you can purchase equivalent bar and chain oil at your local hardware store)</p>
<p>④</p> 	<p>Snow Joe® + Sun Joe® SJTW-A 14-gauge 50-foot extension cord with lighted end</p>	<p>PJEXT50-B</p>

**NOTE:** Accessories are subject to change without any obligation on the part of Snow Joe® + Sun Joe® to provide notice of such changes. Accessories can be ordered online at sunjoe.com or via phone by contacting the Snow Joe® + Sun Joe® customer service center at 1-866-SNOWJOE (1-866-766-9563).



## SNOW JOE® + SUN JOE® CUSTOMER PROMISE

**ABOVE ALL ELSE**, Snow Joe, LLC (“Snow Joe”) is dedicated to you, our customer. We strive to make your experience as pleasant as possible. Unfortunately, there are times when a Snow Joe®, Sun Joe®, or Aqua Joe® product (“Product”) does not work or breaks under normal operating conditions. We think it’s important that you know what you can expect from us. That’s why we have a Limited Warranty (“Warranty”) for our Products.

---

### **OUR WARRANTY:**

Snow Joe warrants new, genuine, powered and non-powered Products to be free from defects in material or workmanship when used for ordinary household use for a period of two years from the date of purchase by the original, end-user purchaser when purchased from Snow Joe or from one of Snow Joe’s authorized sellers with proof of purchase. Because Snow Joe is unable to control the quality of its Products sold by unauthorized sellers, unless otherwise prohibited by law, this Warranty does not cover Products purchased from unauthorized sellers. If your Product does not work or there’s an issue with a specific part that is covered by the terms of this Warranty, Snow Joe will elect to either (1) send you a free replacement part, (2) replace the Product with a new or comparable product at no charge, or (3) repair the Product. How cool is that!

**This Warranty gives you specific legal rights, and you may also have other rights which vary from State to State.**

### **PRODUCT REGISTRATION:**

Snow Joe strongly encourages you to register your Product. You can register online at [snowjoe.com/register](https://snowjoe.com/register), or by printing and mailing in a registration card available online from our website, or calling our Customer Service Department at **1-866-SNOWJOE (1-866-766-9563)**, or by e-mailing us at [help@snowjoe.com](mailto:help@snowjoe.com). Failure to register your Product will not diminish your warranty rights. However, registering your Product will allow Snow Joe to better serve you with any of your customer service needs.

### **WHO CAN SEEK LIMITED WARRANTY COVERAGE:**

This Warranty is extended by Snow Joe to the original purchaser and original owner of the Product.

### **WHAT IS NOT COVERED?**

This Warranty does not apply if the Product has been used commercially or for non-household or rental applications. This Warranty also does not apply if the Product was purchased from an unauthorized seller. This Warranty also does not cover cosmetic changes that do not affect performance. Wearing parts like belts, augers, chains and tines are not covered under this Warranty, and can be purchased at [snowjoe.com](https://snowjoe.com) or by calling **1-866-SNOWJOE (1-866-766-9563)**.







# SUNJOE®

MANUAL DEL OPERADOR

ES

# MOTOSIERRA ELÉCTRICA

14 PLG | 9 A

Una división de Snow Joe®, LLC

Modelo SWJ599E


Forma No. SJ-SWJ599E-880S-MR3

## ¡IMPORTANTE!

### Instrucciones de seguridad

### Todos los operadores deberán leer estas instrucciones antes del uso

Lea todas las instrucciones contenidas en este manual. Conserve este manual en un lugar seguro de manera que esta información esté disponible siempre. Si le da esta máquina a otra persona, asegúrese de entregarle este manual del operador. Tendrán que tomarse siempre las precauciones que se indican a continuación para reducir el riesgo de incendio, choques eléctricos o lesiones personales.

Preste atención al símbolo de alerta de seguridad  usado en este manual para enfocar su atención a una **ADVERTENCIA** dada junto a una instrucción de operación específica. Esto significa que la operación requiere **ATENCIÓN, PRECAUCIÓN** y **CAUTELA** especiales.

### Uso indicado

Esta motosierra eléctrica fue diseñada y fabricada para el corte y podado de tallos y ramas de árboles, y para cortar troncos pequeños de hasta 10 plg (25 cm) de grosor. Toda la madera a ser cortada con esta motosierra no deberá ser más gruesa que el máximo grosor que la barra-guía de esta máquina puede cortar.


### Uso incorrecto

Cualquier otro uso distinto a los mencionados anteriormente representa un peligro severo para el usuario, y puede dañar tanto la herramienta como sus propiedades. Ejemplos de uso incorrecto incluyen, pero no están limitados a:

- podado de arbustos;
- tallado;
- seccionado de paletas, cajas de madera y diversos materiales de empaqueo;
- seccionado de muebles u otros materiales con clavos, tornillos u otros componentes de metal;
- corte de carnes;
- uso de la máquina para levantar, mover o partir objetos; o
- uso de la máquina mientras esté sujeta a soportes fijos.

El uso incorrecto de la máquina invalidará la garantía, exonerando al fabricante de todas las responsabilidades. El usuario será, consecuentemente, responsable de todos y cada uno de los daños o lesiones a sí mismo o a los demás.

## Seguridad general


 **¡ADVERTENCIA!** Usted debe tomar precauciones básicas de seguridad siempre que utilice herramientas eléctricas para jardín con el fin de reducir el riesgo de incendio, choque eléctrico y daños personales, incluyendo lo siguiente:

1. **Mantenga los protectores en su lugar:** los dispositivos de seguridad deben ser inspeccionados periódicamente para garantizar que estén apropiadamente colocados y funcionando correctamente.
2. **Retire las llaves de ajuste e inglesas:** compruebe que las llaves de ajuste hayan sido retiradas de la motosierra antes de encenderla.
3. **Mantenga el área de trabajo limpia y bien iluminada:** limpie el área de trabajo de ramas y tallos luego de cada sesión de corte. Las áreas abarrotadas provocan accidentes.
4. **Evite condiciones peligrosas:** no use esta máquina en lugares lluviosos, tormentosos, mojados o húmedos. No opere la unidad en atmósferas gaseosas o explosivas. Los motores en este tipo de unidades usualmente generan chispas, y las chispas pueden encender gases.
5. **No utilice la motosierra bajo la lluvia.**
6. **Mantenga alejados a los niños y transeúntes:** todos los transeúntes, incluidos niños y mascotas, deberán permanecer alejados a una distancia segura del área de trabajo.
7. **No fuerce la herramienta:** hará el trabajo de una forma eficiente y segura si se emplea a la velocidad para la cual fue diseñada.
8. **Utilice la herramienta correcta:** no fuerce la herramienta o ninguno de sus accesorios para realizar un trabajo para el cual no fueron diseñados.
9. **Use vestimenta adecuada:** no use joyas o ropas sueltas u holgadas, ya que pueden ser atrapadas por las partes móviles. Se recomienda usar guantes de goma de alta resistencia, calzado protector anti-resbalos y ropa que se ajuste a su cuerpo al trabajar con herramientas eléctricas en exteriores.
10. **Utilice cubiertas protectoras de cabello para sujetar y contener cabellos largos.**

11. **Use siempre gafas protectoras y audífonos para proteger sus ojos y oídos:** las gafas de uso diario solo tienen lentes resistentes a los impactos y no proporcionan la misma protección que las gafas de seguridad.
12. **Use máscaras para el rostro o contra el polvo:** si la operación de corte es polvorienta, se recomienda el uso de una máscara para el rostro o contra el polvo diseñada para filtrar partículas microscópicas.
13. **No se sobreextienda:** mantenga con sus pies balance y posición adecuados durante todo el tiempo.
14. **Cuide sus herramientas:** mantenga las herramientas afiladas y limpias para el mejor y más seguro funcionamiento. Siga las instrucciones para la lubricación y cambio de accesorios.
15. **Desconecte la herramienta:** desconecte la motosierra de la fuente de alimentación cuando no esté siendo usada, antes de repararla, al transportarla o al cambiar la cadena u otro accesorio.
16. **Reduzca el riesgo de encendidos accidentales:** asegúrese de que el interruptor esté en la posición de APAGADO antes de enchufar la herramienta a una fuente de alimentación.
17. **Use accesorios recomendados:** consulte el manual del usuario para los accesorios recomendados. El uso de accesorios incorrectos puede causar lesiones.
18. **Compruebe que no hayan partes dañadas:** antes de cada uso, repare o reemplace cualquier parte o protector dañado. Adicionalmente, verifique el alineamiento de las partes móviles, las juntas de las partes móviles, roturas de las partes y cualquier otra condición que pueda afectar el funcionamiento de la herramienta.
19. **Nunca deje la herramienta sin atender mientras está funcionando:** APÁGUELA desenchufando el cable de alimentación directamente de su enchufe. No abandone la motosierra hasta que la barra de corte se haya detenido por completo.
20. **Evite encendidos accidentales:** no transporte la motosierra con su dedo sobre el interruptor.
21. **No agarre ni levante la herramienta por sus cuchillas de corte expuestas o bordes afilados:** asegúrese de cubrir la barra de corte con su funda protectora cuando no esté en uso.
22. **Manténgase alerta:** vea lo que está haciendo. Utilice su sentido común. No opere la motosierra si está cansado.
23. **Guarde las herramientas inactivas en interiores:** cuando no estén siendo usadas, las herramientas deben almacenarse bajo techo en un lugar seco, alto o bajo llave, fuera del alcance de los niños.

## Uso y cuidado de la motosierra

Guarde todas las advertencias e instrucciones para futuras referencias. El término “herramienta eléctrica” en las advertencias se refiere a su motosierra eléctrica.

 **¡ADVERTENCIA!** Apague el interruptor y desconecte la herramienta eléctrica de la fuente de alimentación antes de ajustar, inspeccionar, reparar o limpiar la herramienta eléctrica, al cambiarle accesorios o cuando se presente cualquier otra condición peligrosa. Todas las tareas de mantenimiento deberán ser llevadas a cabo luego de que las partes giratorias de la herramienta eléctrica se hayan detenido por completo. Estas medidas preventivas de seguridad reducen el riesgo de un encendido accidental de la herramienta.

1. No fuerce la herramienta eléctrica. Utilice la herramienta eléctrica apropiada para lo que usted necesita. La herramienta eléctrica correcta funcionará mejor con menos probabilidades de lesiones personales o daños mecánicos si es usada a la velocidad para la cual ha sido diseñada.
2. No utilice la herramienta eléctrica si el interruptor no la enciende y apaga. Cualquier herramienta eléctrica que no puede ser controlada por el interruptor es considerada peligrosa y debe ser reparada inmediatamente.
3. Desconecte la herramienta eléctrica de su fuente de alimentación antes de realizarle cualquier ajuste, cambiarle accesorios o guardarla. Estas medidas preventivas de seguridad reducen el riesgo de un encendido accidental de la herramienta eléctrica.
4. Guarde las herramientas eléctricas inactivas en un lugar fresco, seco y lejos del alcance de los niños. No permita que nadie que no esté familiarizado con la herramienta eléctrica o estas instrucciones obtenga acceso a la máquina. Las herramientas eléctricas son peligrosas en manos de usuarios no capacitados.
5. Cuide las herramientas eléctricas para garantizar una operación segura y rendimiento óptimo. Mantenga los mangos secos, limpios y sin aceite o grasa. Verifique que no haya desalineamientos u obstrucciones de partes móviles, partes rotas o cualquier otra condición que pueda afectar la operación de la herramienta eléctrica. Si se encuentra algún daño, haga reparar la herramienta eléctrica antes de usarla. Muchos accidentes son causados por herramientas eléctricas mal mantenidas.
6. Mantenga limpias y afiladas las herramientas de corte. Las herramientas de corte mantenidas adecuadamente, con bordes de corte afilados, tienen menos probabilidades de atascarse y son más fáciles de controlar.
7. Utilice la herramienta eléctrica y sus accesorios de acuerdo con estas instrucciones, y asegúrese de tomar en cuenta las condiciones de trabajo y el trabajo a realizar. Emplear la herramienta eléctrica en operaciones distintas a las cuales está destinada puede resultar peligroso.



- Las partes móviles representan riesgos. Mantenga su rostro, pelo, ropa, manos y pies alejados de todas las partes giratorias. Todos los protectores y accesorios de seguridad deben ser instalados antes de usar la herramienta eléctrica. Apague y desconecte la fuente de alimentación antes de tocar cualquier parte que no sea los mangos y el interruptor.

## Seguridad eléctrica

- Un interruptor de circuito de falla de conexión a tierra (GFCI) deberá proteger al(a los) circuito(s) o tomacorriente(s) a ser utilizado(s) para la motosierra. Hay receptáculos disponibles con protección incorporada GFCI y pueden ser utilizados para esta medida de seguridad.
- Asegúrese de que el voltaje de la red concuerde con el que aparece impreso en la etiqueta de características del producto. Usar la máquina con un voltaje incorrecto de tomacorriente puede dañar el motor y lesionar al usuario.
- Para evitar un choque eléctrico, use solo cables de extensión adecuados para uso en exteriores, tales como SW-A, SOW-A, STW-A, STOW-A, SJW-A, SJOW-A, SJTW-A o SJTOW-A.

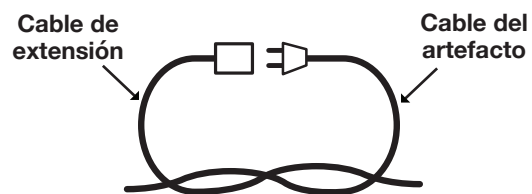
Antes del uso, verifique que el cable de extensión esté en buenas condiciones. Al usar un cable de extensión, asegúrese de usar uno lo suficientemente fuerte para poder transportar toda la electricidad que su equipo consumirá. Un cable de extensión demasiado fino causará una caída de tensión de alimentación produciendo pérdida de potencia y recalentamiento.

- Para reducir el riesgo de un choque eléctrico, este artefacto posee un enchufe polarizado (es decir, una pata es más ancha que la otra). Use este artefacto solo con un cable de extensión polarizado y aprobado por UL, CSA o ETL, recomendado para uso en exteriores y todo tipo de clima.

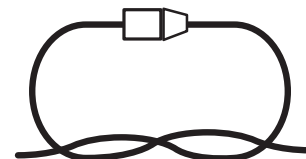
El enchufe del artefacto encajará en el receptáculo del cable de extensión polarizado de una sola manera. Si el enchufe del artefacto no entra por completo dentro del receptáculo del cable de extensión, invierta las clavijas del enchufe. Si el enchufe aún no encaja dentro del receptáculo del cable de extensión, obtenga un cable de extensión polarizado correcto. Un cable de extensión polarizado requerirá el uso de un tomacorriente polarizado. El enchufe del cable de extensión encajará en el tomacorriente polarizado de la pared de una sola manera. Si el enchufe no entra por completo dentro del tomacorriente de la pared, invierta las clavijas del enchufe. Si el enchufe aún no encaja, contacte a un electricista calificado para la instalación de un tomacorriente de pared apropiado. No modifique el enchufe del artefacto, ni el receptáculo del cable de extensión, ni el enchufe del cable de extensión en forma alguna.

- Para evitar que el cable del artefacto se desconecte del cable de extensión durante la operación, use el gancho de restricción para el cable de extensión, o haga un nudo tal como se muestra en la Tabla 1.

Tabla 1. Método para asegurar el cable de extensión



(A) Ate el cable como se indica



(B) Conecte el enchufe y el receptáculo

- No maltrate el cable. Nunca jale la motosierra por el cable, ni tire de éste para desconectarla del enchufe. Mantenga el cable alejado del calor, aceite y bordes filosos.



### ADVERTENCIA



Un choque eléctrico puede causar **LESIONES SEVERAS** o **LA MUERTE**. Tenga en cuenta estas advertencias:

- No deje que ninguna parte de la motosierra eléctrica haga contacto con el agua mientras esté funcionando. Si el artefacto se moja mientras está apagado, séquelo antes de encenderlo.
- Use solo un cable de extensión aprobado por UL, CSA o ETL y recomendado para uso en exteriores y todo tipo de clima.
- No use un cable de extensión de más de 100 pies (30 m).
- No toque el artefacto o su enchufe con las manos húmedas, o mientras esté parado sobre agua. Usar botas de hule le dará algo de protección.

#### TABLA DE CABLES DE EXTENSIÓN

Longitud del cable de extensión:	Hasta 50 pies (15 m)	+50 pies -100 pies (+15 m - 30 m)
Calibre de alambre (AWG):	16	14

## Artefactos de doble aislamiento

En un artefacto de doble aislamiento, se proporcionan dos sistemas de aislamiento en lugar de una conexión a tierra. Un artefacto de doble aislamiento no posee conexión a tierra, y no debe agregársele ninguna. La reparación de un artefacto de doble aislamiento requiere sumo cuidado y conocimiento del sistema, y solo debe ser realizada por personal técnico calificado en un centro de servicio autorizado por Snow Joe® + Sun Joe®. Las partes de reemplazo de un artefacto de doble aislamiento deben ser idénticas a las partes originales. Un artefacto de doble aislamiento está marcado con las frases “Double Insulation” (“doblemente aislado”) o “Double Insulated” (“doble aislamiento”). El símbolo □ (un cuadrado dentro de otro) puede también estar marcado en el artefacto.



**DOBLE AISLAMIENTO: PUESTA A TIERRA NO REQUERIDA. AL REPARAR, USE SOLO PARTES DE REPUESTO IDÉNTICAS.**

Esta motosierra eléctrica tiene doble aislamiento y elimina la necesidad de un sistema separado de conexión a tierra. Use solo partes de repuesto idénticas. Lea las instrucciones antes de reparar artefactos de doble aislamiento. Use esta motosierra solo como se describe en este manual.

## Servicio

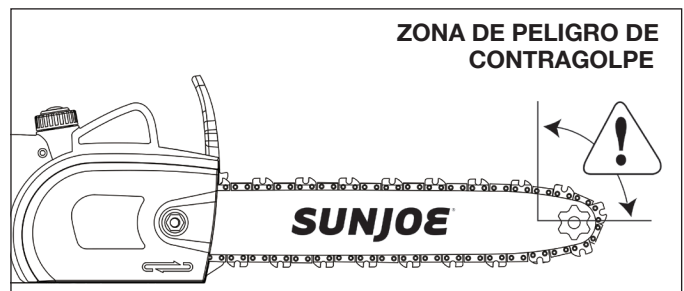
- Haga mantener y reparar su herramienta eléctrica por un técnico calificado en un centro de servicio Snow Joe® + Sun Joe® autorizado usando solo partes de repuesto idénticas o contacte al centro de servicio al cliente Snow Joe® + Sun Joe® llamando al 1-866-SNOWJOE (1-866-766-9563). Esto mantendrá la seguridad de la herramienta eléctrica.

## Advertencias de seguridad de motosierra

- Mantenga todas las partes de su cuerpo alejadas de la motosierra cuando la motosierra esté funcionando. Antes de que encienda la motosierra, asegúrese de que la motosierra no esté en contacto con nada. Un momento de distracción durante la operación de la motosierra puede causar que su cuerpo o ropa se enganchen a la motosierra.
- Siempre sostenga la motosierra con su mano derecha en el mango posterior y su mano izquierda en el mango frontal. Sostener la motosierra con una configuración invertida de manos incrementa el riesgo de lesiones personales y no se debe hacer nunca.
- Sujete la herramienta motorizada solamente por sus superficies de sujeción aisladas, debido a que la cadena de corte puede hacer contacto con alambres ocultos o con su propio cable de alimentación. Una cadena de corte que haga contacto con un alambre con corriente eléctrica puede exponer las partes de la herramienta motorizada a la electricidad y causar un choque eléctrico al operador.

- Use gafas protectoras y protección auditiva. Si usa la motosierra todos los días bajo condiciones normales, usted puede estar expuesto a un nivel de ruido mayor o igual a 85 db(A). Se recomiendan equipos de protección adicionales para la cabeza, manos, piernas y pies. Una ropa protectora adecuada reducirá las probabilidades de lesiones personales debido a escombros lanzados o contacto accidental con la cadena de la motosierra.
- No opere la motosierra trepado en un árbol. La operación de una motosierra estando trepado en un árbol puede resultar en lesiones personales.
- Mantenga siempre con sus pies un balance y posición adecuados, y solo opere la motosierra estando de pie en una superficie fija, segura y nivelada. Las superficies resbaladizas o inestables tales como escaleras pueden causar una pérdida de equilibrio o control sobre la motosierra.
- Al cortar una rama que se encuentra bajo tensión, tenga cuidado con la recuperación elástica de la madera. Cuando se libera la tensión en las fibras de la madera, la reacción de la rama como un resorte puede golpear al operador y/o lanzar la motosierra fuera de control.
- Tenga cuidado al cortar maleza y brinzales. El material angosto puede atrapar la motosierra y ser azotado hacia usted o hacerle perder el equilibrio.
- Lleve la motosierra por el mango frontal, con la motosierra apagada y alejada de su cuerpo. Al transportar o guardar la motosierra, siempre coloque la cubierta sobre la barra-guía. Una manipulación correcta de la motosierra reducirá las probabilidades de un contacto accidental con la motosierra en movimiento.
- Siga las instrucciones para la lubricación, tensionamiento de cadena y cambio de accesorios. Una cadena tensionada incorrectamente o mal lubricada puede romperse o incrementar las probabilidades de contragolpe.
- Mantenga los mangos secos, limpios y libres de aceite y grasa. Los mangos grasientos y aceitosos son resbaladizos y pueden hacerle perder el control.
- Solo corte madera. No use la motosierra para ningún otro propósito. Por ejemplo, no utilice la motosierra para cortar plástico, concreto o materiales de construcción que no sean de madera. Usar la motosierra en dichas formas incorrectas puede resultar en severas lesiones personales y graves daños a su herramienta.

## Prevención de contragolpe



El contragolpe es el resultado de un mal uso de la herramienta y/o incorrectos procedimientos o condiciones de operación. Ocurre cuando la nariz o la punta de la barra-guía tocan un objeto, o cuando la madera se cierra y aprieta la motosierra durante el corte. El contacto de la punta en algunos casos puede causar una súbita reacción en reversa, lanzando la barra-guía hacia arriba y hacia atrás, en dirección del operador.

Esta súbita reacción puede hacer que usted pierda el control de la motosierra, causándole severas lesiones personales.

Para evitar el contragolpe y el riesgo de un accidente o lesión, tome las siguientes precauciones al operar su motosierra:

- Mantenga una sujeción firme (la mano derecha en el mango posterior y la mano izquierda en el mango frontal, con los pulgares y dedos rodeando los mangos respectivos) y posicione su cuerpo y brazos de manera que pueda resistir las fuerzas de contragolpe. Las fuerzas de contragolpe pueden ser controladas por el operador si se toman las precauciones apropiadas. No suelte la motosierra.
- No se sobreextienda y no corte por encima de la altura del hombro. Esto evita un contacto no intencional con la punta y permite un mejor control de la motosierra ante situaciones inesperadas.
- Utilice solo las barras y cadenas de repuesto especificadas por el fabricante. Un remplazo incorrecto de barra o cadena puede causar la ruptura de la cadena y/o un contragolpe.
- Siga las instrucciones del fabricante sobre afilado y mantenimiento de la motosierra. Reducir la altura del medidor de profundidad puede conducir a un mayor contragolpe.
- Siempre obedezca las reglas de seguridad y siga las técnicas correctas de aserrado.
- Siempre transporte la motosierra de forma segura. Cuando la máquina vaya a ser transportada o manipulada, usted debe:
  - apagar el motor y esperar a que la cadena se detenga por completo;
  - montar la cubierta de barra-guía; y
  - sostener la máquina usando los mangos y posicionar la barra en la dirección opuesta a aquella usada durante la operación.

Al usar un vehículo para transportar la motosierra, sujétela firmemente y posicóñnela de manera que no sea un peligro para ninguno de los pasajeros.

- Antes de cortar, talar o desmembrar por primera vez, asegúrese de:
  - haber sido capacitado específicamente para usar este tipo de equipo;
  - haber leído cuidadosamente las reglas de seguridad e instrucciones para el usuario contenidas en este manual;












- practicar primero en leños en el piso o colocados en soportes/caballetes de serrar, para familiarizarse con la máquina y las técnicas de corte apropiadas.

## **Protección contra influencias del entorno**

1. Use ropa de trabajo adecuada. Use gafas protectoras.
2. Proteja su herramienta eléctrica contra la humedad y la lluvia. La humedad y la lluvia pueden causar serios daños eléctricos y al motor.
3. No use la herramienta eléctrica cerca a gases o líquidos inflamables.
4. Use la herramienta eléctrica solo en condiciones secas y a una temperatura ambiente de entre 50°F y 104°F (10°C y 40°C).
5. Guarde su herramienta eléctrica solo en lugares secos y a una temperatura ambiente de entre 50°F y 104°F (10°C y 40°C). Proteja la herramienta eléctrica contra la humedad y la luz directa del sol.

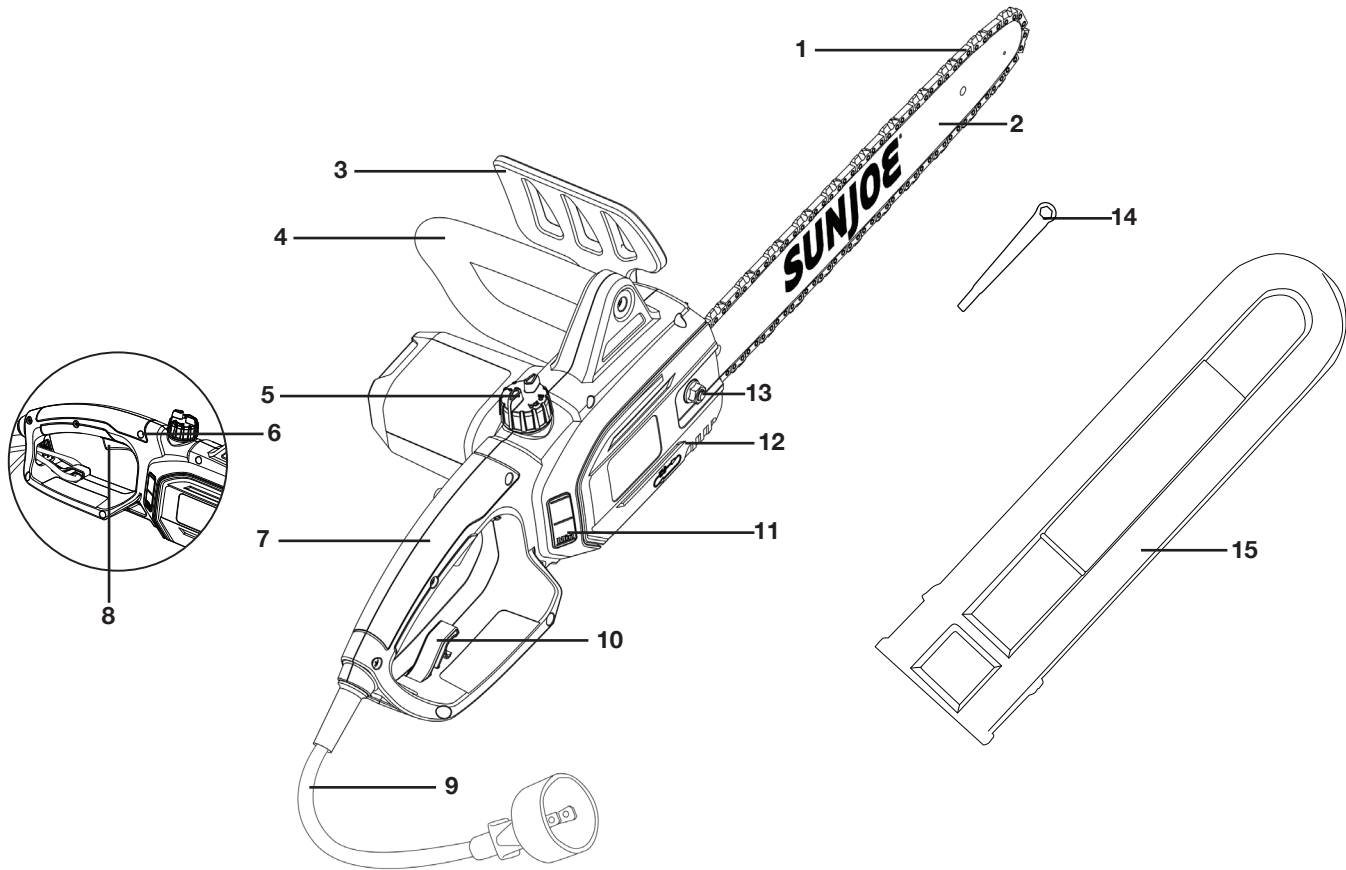
# Símbolos de seguridad

La siguiente tabla muestra y describe los símbolos de seguridad que pueden aparecer en este producto. Lea, comprenda y siga todas las instrucciones de la máquina antes de intentar ensamblarla y operarla.

Símbolo	Descripción	Símbolo	Descripción
	<b>LEA EL(LOS) MANUAL(ES) DEL OPERADOR:</b> lea, comprenda y siga todas las instrucciones en el(los) manual(es) antes de intentar ensamblar y operar la unidad.		Mantenga a los transeúntes y niños alejados a una distancia segura.
	<b>ALERTA DE SEGURIDAD:</b> indica una precaución, advertencia o peligro.		<b>USE PROTECCIÓN OCULAR Y AUDITIVA:</b> para protegerse contra lesiones, use protectores auditivos y gafas protectoras.
	<b>¡ADVERTENCIA!</b> No exponga la unidad a la lluvia o a condiciones húmedas.		Utilice guantes protectores y calzado no deslizante al usar la máquina y al manipular desechos.
 	<b>¡PELIGRO! CUCHILLAS GIRATORIAS:</b> mantenga las manos y pies lejos de las aberturas cuando la motosierra esté funcionando.		Dirección correcta de los dientes de corte.
 	<b>¡PRECAUCIÓN!</b> Evite el contacto de la punta de la barra-guía con cualquier objeto. El contacto con la punta puede causar que la barra-guía se mueva repentinamente hacia arriba y hacia atrás, lo cual puede causar serias lesiones al usuario.	 	<b>¡ADVERTENCIA!</b> Al operar la motosierra se deben usar siempre las dos manos.
	<b>¡APÁGUELA!</b> Desconecte el enchufe del tomacorriente antes de limpiar o llevar a cabo rutinas de mantenimiento.		<b>¡APÁGUELA!</b> Retire el enchufe del tomacorriente inmediatamente si el cable está cortado o dañado.
	La parte giratoria seguirá girando continuamente durante varios segundos después de que haya apagado la máquina.		Doble aislamiento.

# Conozca su motosierra

Lea detenidamente este manual del propietario y el reglamento de seguridad antes de operar su motosierra eléctrica. Compare la ilustración debajo con la unidad real para familiarizarse con la ubicación de los diversos controles y ajustes. Guarde este manual para referencias futuras.



- |                                  |  |
|----------------------------------|--|
| 1. Cadena de corte de 14 plg     | 9. Cable del artefacto                         |
| 2. Barra-guía de 14 plg          | 10. Gancho de sujeción para cable de extensión |
| 3. Guarda de mano frontal        | 11. Ventana indicadora de nivel de aceite      |
| 4. Mango frontal                 | 12. Cubierta de extremo de cadena/piñón        |
| 5. Tapón de tanque de aceite     | 13. Tuerca de cubierta de extremo              |
| 6. Botón de trabado de seguridad | 14. Llave hexagonal/ destornillador plano      |
| 7. Mango posterior               | 15. Funda de barra de corte                    |
| 8. Gatillo interruptor           |  |

## Datos técnicos

Voltaje nominal .....	120 V ~ 60 Hz	Capacidad del tanque de aceite .....	4 fl oz (120 ml)
Amperaje .....	9 A	Velocidad de cadena.....	37.7 pie/s (11.5 m/s)
Velocidad sin carga .....	6,300 RPM	Peso neto .....	7.7 lb (3.5 kg)
Longitud de barra/cadena.....	14 plg (35.6 cm)		
Grosor de corte máx. ....	13.5 plg (34.3 cm)		
	<i>Recomendado: 12.5 plg (31.8 cm)</i>		

# Desembalaje

## Contenido del paquete

- Motosierra eléctrica
- Cadena de corte de 14 plg (35.6 cm) (pre-instalada en la barra)
- Barra-guía de 14 plg (35.6 cm)
- Llave hexagonal de doble punta/ destornillador plano
- Funda de barra de corte
- Manual con tarjeta de registro

1. Retire cuidadosamente la motosierra y compruebe que todos los artículos anteriores estén suministrados.
2. Inspeccione cuidadosamente el producto para asegurarse de que no haya ocurrido ningún daño o ruptura durante el transporte. Si alguna parte está dañada o extraviada, NO DEVUELVA la unidad a la tienda. Llame al centro de servicio al cliente Snow Joe® + Sun Joe® al 1-866-SNOWJOE (1-866-766-9563).

**NOTA:** no se deshaga de la caja de transporte ni del material de embalaje hasta que usted esté listo para usar su motosierra eléctrica. El embalaje está hecho de materiales reciclables. Deseche estos materiales en conformidad a los reglamentos locales.

**¡IMPORTANTE!** El equipo y los materiales de embalaje no son juguetes. No deje que los niños jueguen con bolsas plásticas, láminas o partes pequeñas. ¡Estos objetos pueden ser tragados y representan un riesgo de asfixia!

## Ensamblado

**⚠ ¡ADVERTENCIA!** Use siempre guantes resistentes al manipular la barra y la cadena. Instale la barra y la cadena con mucho cuidado para garantizar la seguridad y eficiencia de la máquina. Si no está seguro, contacte a un concesionario autorizado Snow Joe® + Sun Joe® o llame a la central de servicio al cliente Snow Joe® + Sun Joe® al 1-866-SNOWJOE (1-866-766-9563).

**⚠ ¡ADVERTENCIA!** El desempacado y ensamblado debe ser realizado en una superficie plana y estable, con un espacio adecuado para mover la máquina y su embalaje.

**⚠ ¡ADVERTENCIA!** Nunca arranque el motor antes de instalar la barra-guía, cadena y cubierta de cadena. Sin todas estas partes en su lugar, el embrague/piñón puede salir volando o explotar, causándole al usuario lesiones severas.

**⚠ ¡ADVERTENCIA!** Para evitar lesiones personales severas, lea y entienda todas las instrucciones de seguridad proporcionadas.

**⚠ ¡ADVERTENCIA!** Antes de llevar a cabo cualquier tarea de mantenimiento, asegúrese de que la herramienta esté desenchufada de la fuente de alimentación. No seguir esta advertencia podría resultar en lesiones graves.

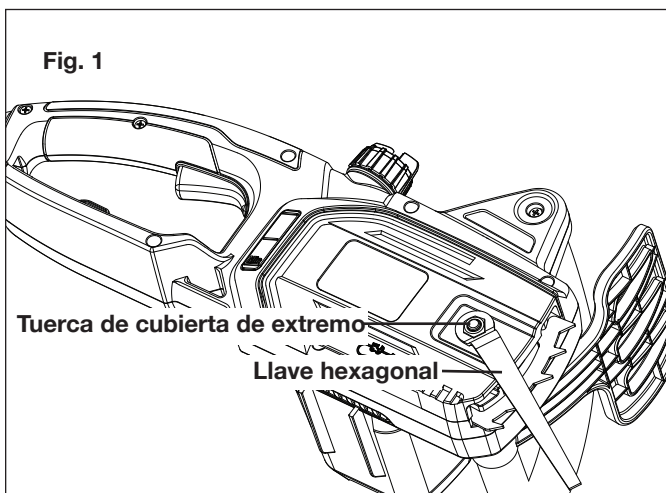
## Instalación de la barra-guía y cadena

Herramientas y suministros requeridos:

- Llave hexagonal de doble punta/ destornillador plano (suministrados)
- Guantes resistentes para trabajo

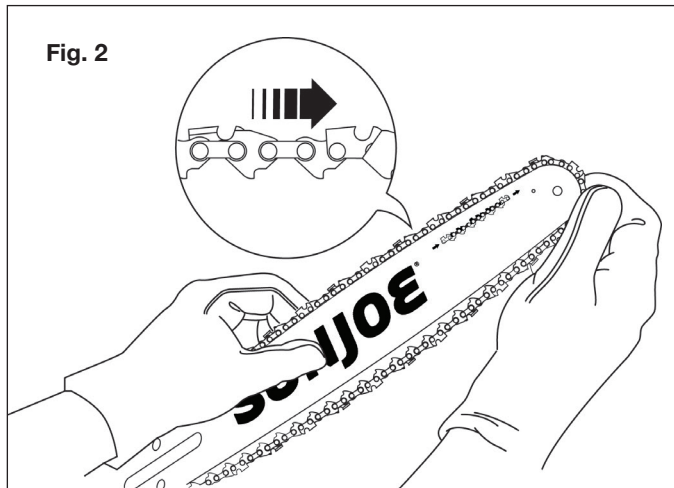
**NOTA:** al reemplazar la barra-guía y la cadena, use solo partes de repuesto idénticas. Asegúrese de que la motosierra esté desconectada de la fuente de alimentación antes de proceder con la instalación.

1. Use la llave hexagonal para destornillar la tuerca de cubierta de extremo y retirar la cubierta de extremo de la cadena/piñón (Fig. 1).



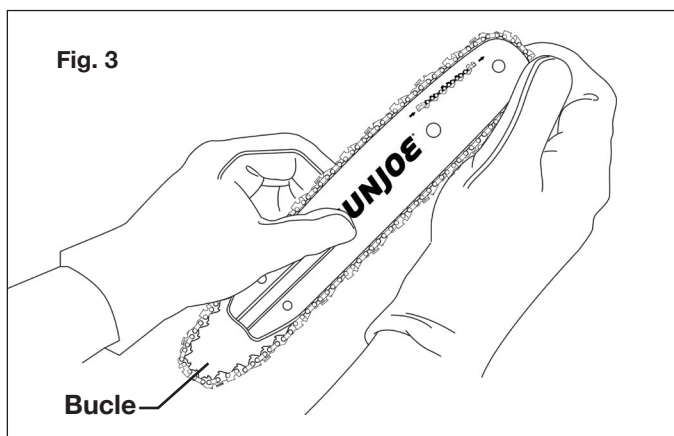
**NOTA:** cuando usted abra la caja de su motosierra, la cadena estará ya instalada en la barra-guía para su comodidad. Consulte solo las instrucciones para la colocación de la barra (ver paso 3). En caso necesite reemplazar la cadena en el futuro, siga todos los pasos detallados a continuación.

2. Coloque la nueva cadena de la motosierra en un bucle, enderezando cualquier posible pliegue. **EL LADO AFILADO DE LOS DIENTES DEBE ESTAR ORIENTADO EN LA DIRECCIÓN OPUESTA A USTED, Y EN LA DIRECCIÓN DE LA ROTACIÓN DE CADENA INDICADA EN LA BARRA-GUÍA** Si los dientes están en sentido opuesto, dé vuelta al bucle (Fig. 2).

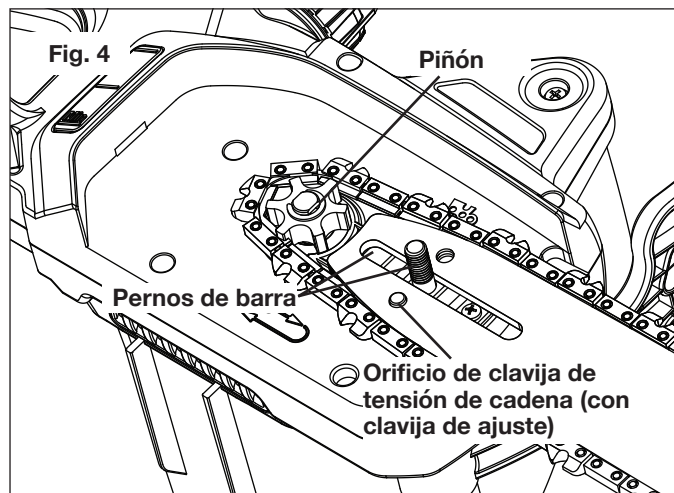


3. Empezando en la punta, monte los eslabones de impulso de la cadena en la ranura de la barra, dejando un bucle en la parte posterior de la barra. La cadena encajará suelta hasta que sea colocada en el piñón (Fig. 3).

**NOTA:** compruebe la dirección correcta de la cadena. Si la cadena es montada al revés, la motosierra vibrará de forma anormal y no cortará.

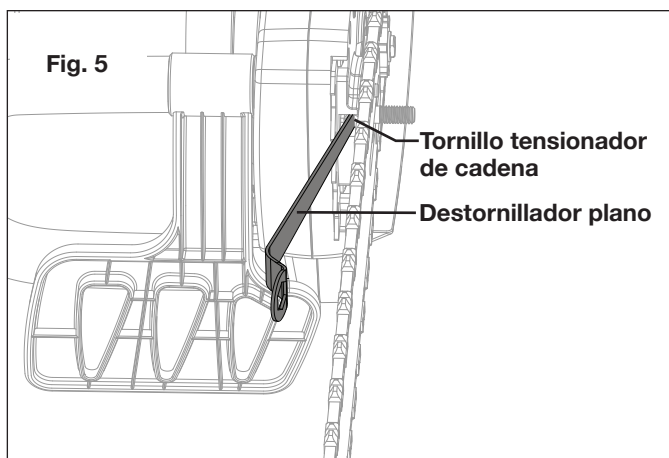


4. Sostenga la cadena en su lugar sobre la barra y coloque el bucle alrededor del piñón. Coloque la barra nivelada contra la superficie de montura de manera que los pernos de la barra estén en la ranura larga de la barra y la clavija de ajuste esté en el orificio de clavija de tensión de cadena (Fig. 4).

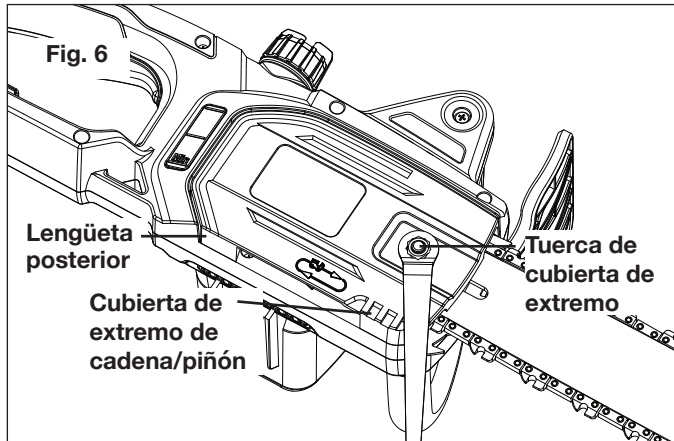


**NOTA:** si la clavija de ajuste no alcanza el orificio de clavija de tensión de cadena, gire el tornillo tensionador de cadena en sentido antihorario hasta que el orificio de clavija se alinee con la clavija de ajuste.

5. Mientras mantiene la barra y cadena al ras de la superficie de montura, ajuste la tensión de cadena según se necesite apretando el tornillo tensionador de cadena con el destornillador de punta plana suministrado. Gire el tornillo tensionador de cadena en sentido horario para ajustar la cadena, o en sentido antihorario para aflojar la cadena (Fig. 5).

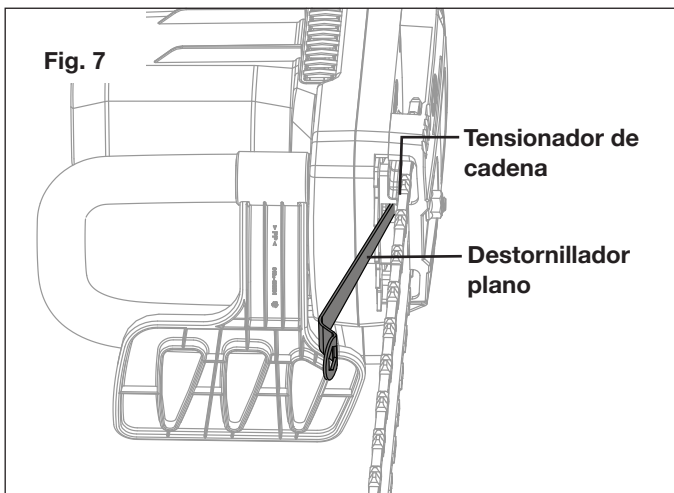


6. Vuelva a colocar la cubierta de extremo de cadena/piñón insertando la lengüeta posterior primero en la ranura de lengüeta posterior, y colocando la cubierta sobre el extremo de la barra. Apriete la tuerca de cubierta de extremo; deje la barra lo suficientemente suelta con el fin de que se mueva un poco para el ajuste de tensión (Fig. 6).



7. Retire todo el exceso de la cadena girando el tornillo tensionador de la cadena en sentido horario hasta que la cadena encaje perfectamente con los eslabones de impulso dentro de la ranura de la barra y al ras (Fig. 7).

**NOTA:** una cadena está tensionada correctamente cuando no hay una holgura en el lado inferior de la barra-guía y la cadena está ajustada pero puede ser rotada a mano sin empujarla. Para más información sobre el tensionamiento de cadena, vea la sección de mantenimiento empezando en la página 17.



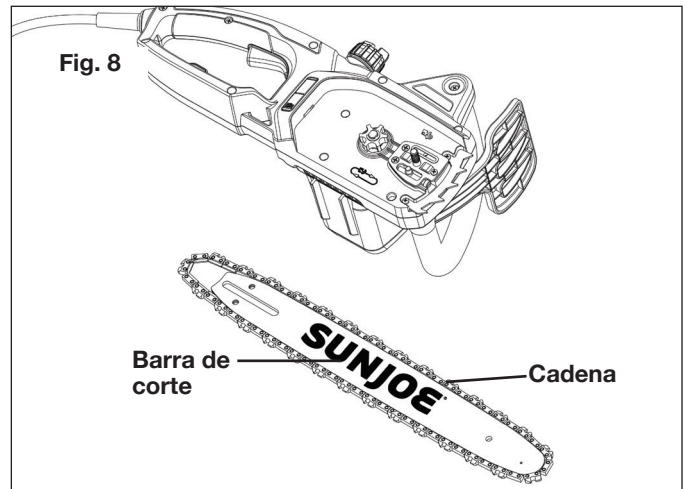
8. Apriete la tuerca de cubierta de extremo por completo usando la llave hexagonal.

**NOTA:** si la cadena está demasiado ajustada, no rotará. Afloje levemente la tuerca de cubierta de extremo y gire el tensionador de cadena 1/4 de vuelta en sentido antihorario. Levante la punta de la barra-guía hacia arriba y vuelva a apretar la tuerca de cubierta de extremo. Asegúrese de que la cadena pueda ser rotada con la mano, sin forzarla.

**NOTA:** una cadena nueva tiende a estirarse. Verifique la tensión de la cadena frecuentemente y ajuste la tensión según sea necesario.

## Reemplazo de la barra-guía y cadena

1. Desconecte la motosierra de la fuente de alimentación.
2. Use la llave hexagonal suministrada para destornillar la tuerca de cubierta de extremo, y así retirar la cubierta de extremo de la cadena/piñón (Fig. 1).
3. Retire la barra de corte y cadena de la superficie de montaje (Fig. 8).



4. Retire la cadena antigua de la barra.
5. Para colocar e instalar la nueva cadena de motosierra correctamente, siga los pasos 2 a 6 de la sección "Instalación de la barra-guía y cadena" en la página 8.

## Preparación para el trabajo

### Inspección de la máquina

**⚠ ¡ADVERTENCIA!** Antes de realizar cualquier verificación, ajuste, reparación o mantenimiento en la máquina, asegúrese de que la unidad no esté conectada a la fuente de alimentación.

Antes de empezar a trabajar:

- Compruebe que todos los tornillos en la máquina y en la barra-guía estén ajustados firmemente;
- Compruebe que la cadena esté tensionada correctamente, afilada apropiadamente, y que no haya señales de daños;
- Compruebe que los mangos y los dispositivos de protección estén limpios y secos, montados correctamente y ajustados de forma segura a la máquina;
- Compruebe que el gatillo interruptor y el botón de seguridad se muevan libremente sin necesidad de forcejeo y que regresen de forma rápida y automática a sus posiciones neutras;
- Verifique que el gatillo interruptor se mantenga trabado hasta que el botón interruptor sea presionado;
- Asegúrese de que las rejillas de ventilación de enfriamiento no estén obstruidas con aserrín o residuos; y



- Compruebe que el nivel de aceite de cadena no esté debajo de la marca de nivel "MIN". De ser necesario, llene el aceite hasta 1 cm del borde del llenador.

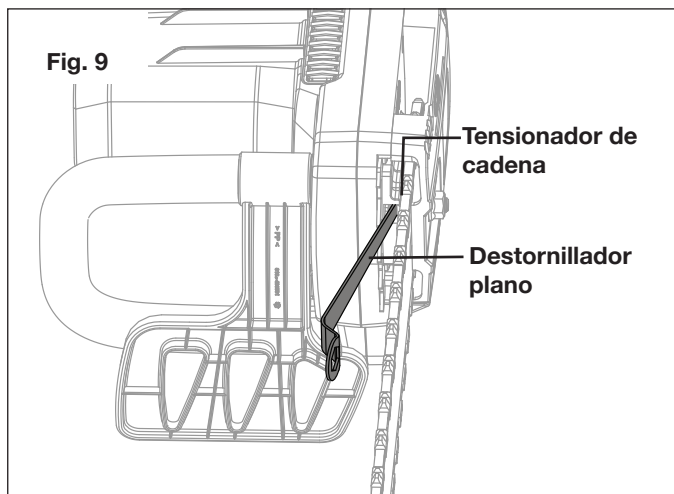
**NOTA:** usted debe llenar el tanque de aceite para cadena con aceite para barra y cadena antes de usar su motosierra.

## Ajuste de la tensión de la cadena

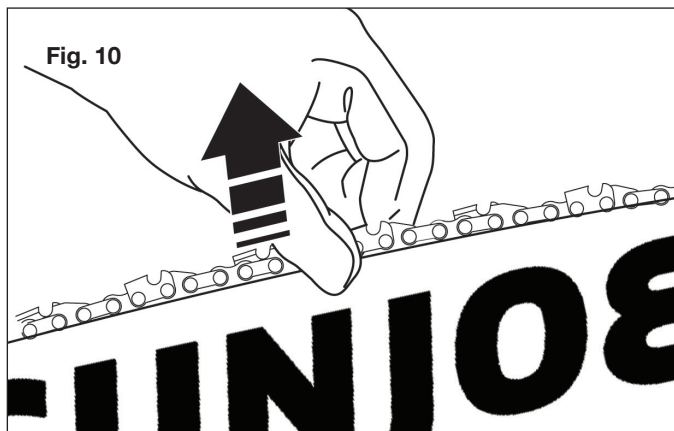
**⚠ ¡ADVERTENCIA!** Antes de realizar cualquier verificación, ajuste, reparación o mantenimiento en la máquina, asegúrese de que la unidad no esté conectada a la fuente de alimentación.

**⚠ ¡PRECAUCIÓN!** La cadena continuará girando por varios segundos luego de haber apagado la herramienta.

1. Afloje la tuerca de cubierta de extremo hasta que esté apretada a fuerza de mano. Use el destornillador de punta plana para girar el tornillo tensionador de cadena en sentido horario y tensionar la cadena. Una cadena en frío estará tensionada correctamente cuando no hay un exceso en el lado inferior de la barra-guía, y la cadena está ajustada pero puede ser girada a mano sin empujarla (Fig. 9).



2. La tensión es correcta cuando los eslabones de impulso en la cadena no se resbalan fuera de la guía de la cadena en la barra, cuando la cadena es jalada hacia arriba desde el medio de la barra (Fig. 10).



## Lubricante de cadena

**⚠ ¡PRECAUCIÓN!** No lubricar la cadena causará daños a la cadena y la barra. Use un aceite para barra y cadena de buena calidad diseñado específicamente para su uso con motosierras. El aceite para barra y cadena puede ser comprado en su ferretería local o en línea visitando [sunjoe.com](http://sunjoe.com).

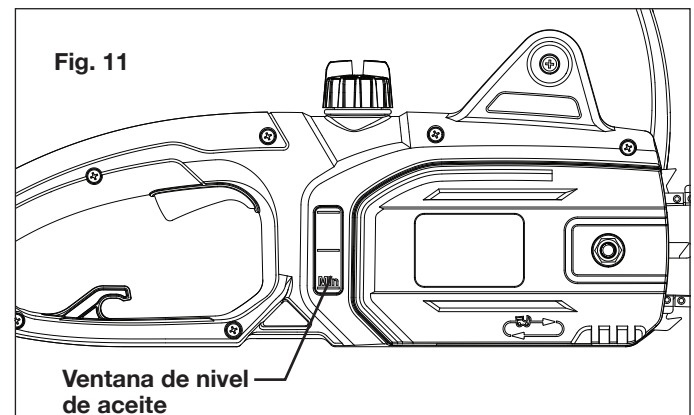
**NOTA:** es normal que el aceite se derrame de la motosierra cuando no está o no está siendo usada. Para prevenir derrames, vacíe el tanque de aceite luego de cada uso. Al almacenar la unidad por un periodo prolongado de tiempo (tres meses o más), asegúrese de que la cadena esté ligeramente lubricada. Esto evitará el óxido en la cadena y piñón de barra.

**⚠ ¡ADVERTENCIA!** No use la motosierra con ningún tipo de accesorio o complemento. Dicho uso puede ser peligroso.

## Operación

### Encendido de la máquina

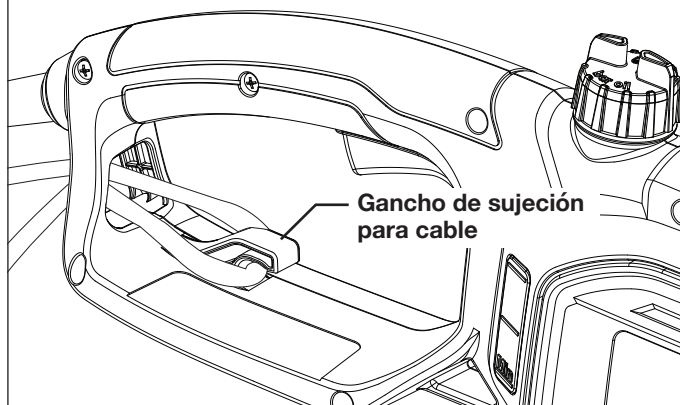
Antes de encender la motosierra, quite el tapón del tanque de aceite y añada aceite para barra y cadena hasta la parte superior de la ventana de nivel de aceite (Fig. 11). Un minuto de uso consumirá aproximadamente 0.2 fl oz (6 ml) de aceite. Vuelva a echar aceite cuando el nivel caiga a menos de 1/4 de tanque.



**NOTA:** su motosierra está equipada con una bomba automática de aceite para la lubricación de la barra y cadena. Usted debe agregar aceite de barra y cadena para que su motosierra funcione.

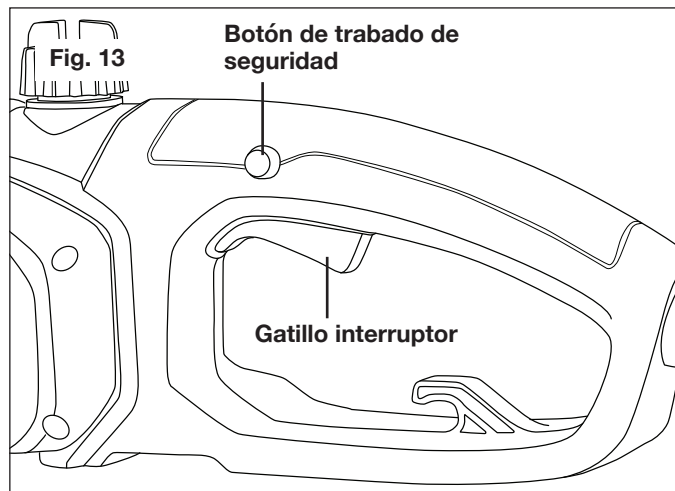
1. Conecte la motosierra eléctrica a un tomacorriente activo de 120 V usando un cable de alimentación de extensión para exteriores de alta resistencia.
2. Haga un bucle en el cable de alimentación y empujelo a través del orificio en el mango y alrededor del gancho de sujeción para cable (Fig. 12), luego conecte el cable de extensión al cable del artefacto.

Fig. 12



3. Asegúrese de que la barra-guía no esté tocando el piso ni ningún otro objeto.
4. Sujete la motosierra firmemente con ambas manos.
5. Para poner en marcha la herramienta, presione el botón de trabado de seguridad con su pulgar, luego apriete el gatillo interruptor con sus dedos. Una vez que la herramienta esté funcionando, suelte el botón de trabado de seguridad (Fig. 13).

Fig. 13



6. Para apagar la herramienta, suelte el gatillo interruptor (Fig. 13).

**NOTA:** no presione el gatillo interruptor hasta que usted esté listo para hacer un corte.

## Consejos de operación

**⚠ ¡ADVERTENCIA!** Para su seguridad y la de los demás:

1. No use la máquina sin leer las instrucciones cuidadosamente. Familiarícese con los controles y el uso apropiado de la máquina. Aprenda a detener rápidamente la máquina.
2. Tenga en cuenta que el operador o usuario es responsable por accidentes o peligros que le ocurran a otras personas o sus propiedades.
3. Use siempre vestimenta adecuada al usar la máquina. Use guantes anti-vibración y otros equipos de protección personal.

**NOTA:** todas las precauciones mencionadas anteriormente, sin embargo, no garantizan la prevención de ciertos riesgos, tales como el fenómeno de Raynaud o el síndrome del túnel carpiano. A los operadores que usen esta máquina por periodos prolongados se les recomienda revisiones médicas periódicas de sus manos y dedos. Si alguno de los síntomas anteriormente mencionados aparece, busque atención médica inmediatamente.

4. Trabaje solo bajo luz diurna o buena luz artificial.
5. Tenga el mayor cuidado al trabajar cerca de vallas de metal.
6. Tenga cuidado de no golpear la barra duramente contra objetos extraños o escombros volando causados por el movimiento de la cadena.
7. No opere la motosierra trepado en un árbol, sobre una escalera o en un andamio. Esto es extremadamente peligroso.
8. Tenga muchísimo cuidado al cortar arbustos pequeños, árboles jóvenes, o ramas bajo tensión. Dicho material fino y tenso puede engancharse a la cadena y ser azotado contra usted, hacerle perder el equilibrio, o recuperarse elásticamente.
9. No corte plantas trepadoras y/o maleza.
10. Antes de encender la unidad, asegúrese de que la motosierra no esté en contacto con ningún objeto.

**⚠ ¡PRECAUCIÓN!** La cadena sigue moviéndose por inercia luego de que la motosierra haya sido apagada. No use la herramienta bajo condiciones húmedas.

**¡IMPORTANTE!** Recuerde siempre que una motosierra usada incorrectamente puede dañar o perturbar a los demás y afectar seriamente al medioambiente.

Para respetar a las personas y al medioambiente:

- Evite usar la máquina en entornos o momentos del día en que pueda perturbar a los demás.
- Obedezca a conciencia las reglas y disposiciones locales respecto a la eliminación de materiales de desecho luego del aserrado.
- Obedezca a conciencia las reglas y disposiciones locales respecto a la eliminación de aceites, partes dañadas u otros elementos que puedan afectar severamente el medioambiente.
- Una cierta cantidad de aceite lubricante de cadena es liberada al medioambiente cuando la máquina está funcionando, por tanto solo use aceites biodegradables fabricados específicamente para este uso.
- Para evitar un incendio, no deje la máquina con el motor caliente sobre hojas o césped seco.

**⚠ ¡ADVERTENCIA!** Una exposición prolongada a las vibraciones puede causar lesiones y desórdenes neurovasculares (también llamados “síndrome de Raynaud” o “mano blanca”), especialmente a personas con problemas de circulación. Los síntomas pueden afectar las manos, muñecas y dedos, y se manifiestan por una pérdida de la sensibilidad, adormecimiento, comezón, dolor, descoloramiento o cambios visibles en la piel. Estos efectos pueden empeorar en temperaturas bajas y/o por sujetar los mangos demasiado fuerte. Si estos síntomas ocurren, la longitud de tiempo en que la máquina es usada debe ser reducida y se debe consultar a un doctor.

## Verificaciones durante el trabajo

- **Verifique la tensión de la cadena**

La cadena tiende a extenderse gradualmente mientras trabaja, así que usted debe verificar su tensión frecuentemente.

**¡IMPORTANTE!** Durante el primer periodo de uso (o luego de reemplazar la cadena), la tensión de cadena debe ser verificada con mayor frecuencia debido al proceso de estabilización de la cadena.

**⚠ ¡ADVERTENCIA!** Nunca trabaje con la cadena suelta, ya que ésta puede ser peligrosa si se suelta de sus carriles guía.

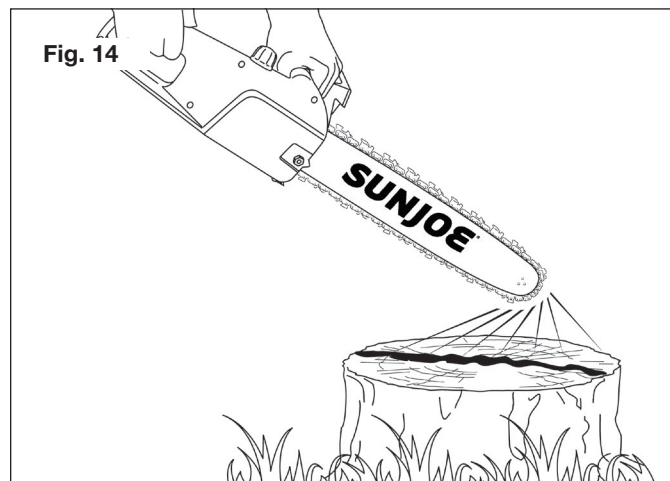
Para ajustar la tensión de cadena, siga las instrucciones en “Ajuste de la tensión de cadena” en la página 11.

- **Verifique la entrega de aceite**

**¡IMPORTANTE!** ¡Nunca use la máquina sin lubricación! Usted puede verificar el nivel de aceite en el tanque a través del medidor transparente. Asegúrese de llenar el tanque de aceite cada vez que vaya a usar la máquina. Para mejores resultados, use solo un aceite para barra y cadena formulado específicamente para su uso con motosierras.

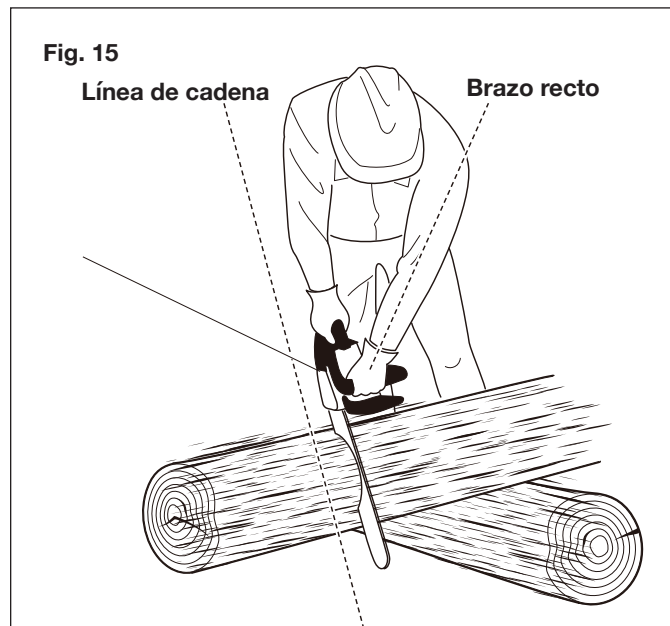
**⚠ ¡ADVERTENCIA!** Asegúrese de que la barra y la cadena estén en su lugar cuando verifique la entrega de aceite.

Encienda el motor y compruebe que el aceite de cadena sea entregado tal como se muestra a continuación (Fig. 14).



## Postura apropiada para el corte

1. Su peso debe estar balanceado con ambos pies, en terreno sólido.
2. Mantenga su brazo y codo izquierdo firmes en una posición de “brazo recto” para poder soportar cualquier fuerza de contragolpe (Fig. 15).



3. Su cuerpo deberá estar siempre a la izquierda de la línea de la cadena.

## Procedimientos básicos de corte

1. Los árboles pequeños con ramas de 6 a 7 pulgadas de diámetro son generalmente cortados en un solo corte. Los cortes de muescas determinan la dirección en la cual el árbol caerá.

**⚠ ¡ADVERTENCIA!** Si el árbol empieza a caer en la dirección incorrecta, o si la motosierra se quedó atascada o colgada durante la caída, abandone la motosierra y sálvese.

**⚠ ¡ADVERTENCIA!** Mire de forma periódica la parte superior del árbol durante el corte de relajación para asegurarse de que el árbol va a caer en la dirección deseada.

2. Practique cortando algunos troncos pequeños empleando las siguientes técnicas para tener una idea de cómo usar la motosierra antes de empezar una operación de aserrado más grande.
3. Mantenga una postura apropiada frente a la madera con la motosierra apagada.
4. Apriete el gatillo y deje que la cadena acelere a su máxima velocidad antes de proceder a cortar.
5. Sujete la motosierra firmemente con ambas manos. Mantenga siempre su mano izquierda en el mango frontal y su mano derecha en el mango posterior de manera que su cuerpo esté a la izquierda de la línea de cadena.
6. Mantenga la unidad funcionando durante todo el tiempo de corte, manteniendo una velocidad constante.
7. Deje que la cadena haga el trabajo; solo aplique una leve presión hacia abajo. Si fuerza el corte puede dañar la barra, la cadena o la unidad.
8. No aplique presión sobre la motosierra, en el extremo del corte.
9. Corte siempre con ambos pies sobre terreno sólido para evitar caídas.
10. No corte por sobre la altura del pecho ya que es difícil controlar fuerzas de contragolpe con una motosierra sujeta en alto.

## Técnicas de corte

Antes de talar o desmembrar por primera vez, practique aserrando leños en el piso o sobre soportes con el fin de familiarizarse con la máquina y las técnicas de aserrado más adecuadas. Cuando tale un árbol, mantenga a todas las personas y mascotas a una distancia segura del área de corte. La distancia más segura debe ser por lo menos el doble de la altura de los árboles más altos en el área de talado.

**⚠ ¡ADVERTENCIA!** Sujete siempre la máquina con ambas manos al aserrar.

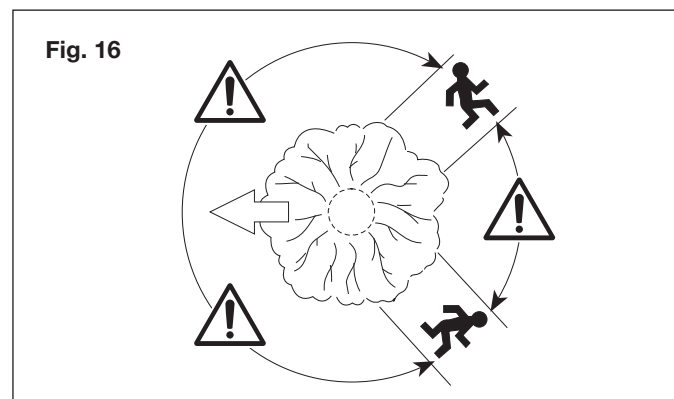
**⚠ ¡ADVERTENCIA!** Detenga el motor inmediatamente si la cadena se detiene durante el aserrado. Tenga cuidado con los contragolpes que puedan ocurrir si la barra hace contacto con un obstáculo.

### • Tala de un árbol

- I) Cuando la tala y el leñado son realizados por dos o más personas al mismo tiempo, la tala debe ser realizada separada del leñado, a una distancia de por lo menos dos veces la altura del árbol siendo talado. Los árboles no deben ser talados de cualquier forma que pueda poner en riesgo a una persona, golpear un cable de servicio público o causar daños a la propiedad. Si el árbol hace contacto con un cable de servicio público, la empresa de servicio público debe ser notificada inmediatamente.

**⚠ ¡ADVERTENCIA!** Revise el árbol en busca de ramas dañadas o muertas que puedan caer y golpearle durante el proceso de tala.

- II) El operador de la motosierra debe permanecer en el lado colina arriba del terreno, ya que el árbol probablemente rodará o se deslizará colina abajo luego de ser talado.
- III) Planee una ruta de escape y despeje apropiadamente el área antes de empezar a trabajar. La ruta de escape deberá extenderse hacia atrás y diagonalmente, a la parte posterior de la línea prevista de caída según se ilustra (Fig. 16).



- IV) Antes de empezar con la tala, considere la inclinación natural del árbol, la ubicación de ramas más grandes y la dirección del viento para ayudarle a determinar la dirección de caída del árbol.

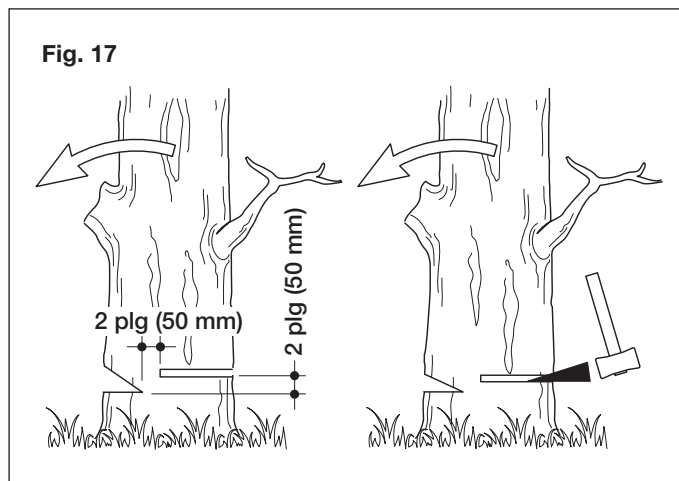
**⚠ ¡ADVERTENCIA!** No tale árboles durante épocas de fuertes vientos o lluvias fuertes. Espere a que haya condiciones favorables para poder cortar.

**⚠ ¡ADVERTENCIA!** No corte árboles que tengan una inclinación extrema o árboles grandes con ramas podridas, corteza suelta o troncos huecos. Haga que estos árboles sean empujados o arrastrados con maquinaria pesada, y luego córtelos.

- V) Retire tierra, piedras, corteza suelta, clavos, grapas y alambres del árbol a ser cortado.

### • Socavado de muesca

Haga la muesca a 1/3 del diámetro del árbol, perpendicular a la dirección de caída tal como se muestra (Fig. 17).



Haga primero el socavado de muesca horizontal inferior.

Esto ayudará a evitar el aprisionamiento de la motosierra o de la barra-guía cuando se haga la segunda muesca.

- **Corte de tala**

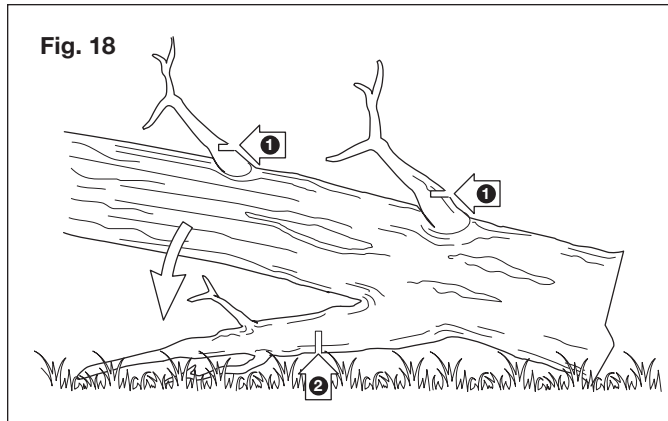
I) Haga el corte de tala al menos 2 plg (50 mm) más alto que el socavado de muesca horizontal tal como se ilustra (Fig. 18). Mantenga el corte de tala paralelo al socavado de muesca horizontal. Posicione estratégicamente el corte de tala de manera que quede madera suficiente para que actúe como bisagra. La madera “bisagra” evita que el árbol se tuerza y caiga en la dirección incorrecta. No corte a través de la madera “bisagra”.

II) A medida que el corte de tala se aproxima a la madera “bisagra”, el árbol empezará a caer. Si existe alguna posibilidad de que el árbol pueda no caer en la dirección deseada o pueda sacudirse hacia atrás y atrapar la motosierra, detenga el corte antes de que se complete el corte de tala y use cuñas de madera, plástico o aluminio para abrir el corte y hacer que el árbol caiga a lo largo de la línea de caída deseada.

III) Cuando el árbol empiece a caer, retire la motosierra del corte, detenga el motor, deje la motosierra y use la ruta de escape planeada. Esté atento a las ramas que caigan, y vea dónde está pisando.

- **Desramado de un árbol**

El desramado es el proceso en el cual las ramas son retiradas de un árbol caído. Al desramar, deje las ramas inferiores más grandes para apoyar el tronco por sobre el piso. Retire las ramas pequeñas en un solo corte tal como se ilustra (Fig. 18). Las ramas bajo tensión deberán ser cortadas de abajo hacia arriba para evitar aprisionar la motosierra.

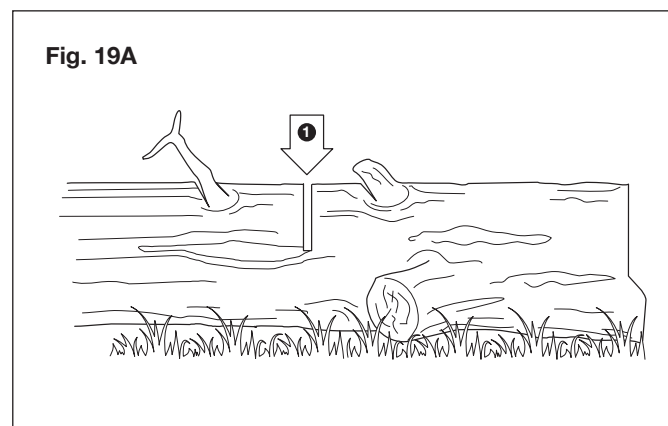


**⚠ ¡ADVERTENCIA!** Preste especial atención a dónde yacen las ramas en el suelo, y reconozca los siguientes riesgos: 1) las ramas pueden estar bajo tensión; 2) la dirección en la cual la rama caerá puede ser distinta a la anticipada; 3) el árbol puede ser inestable luego de que la rama haya sido cortada.

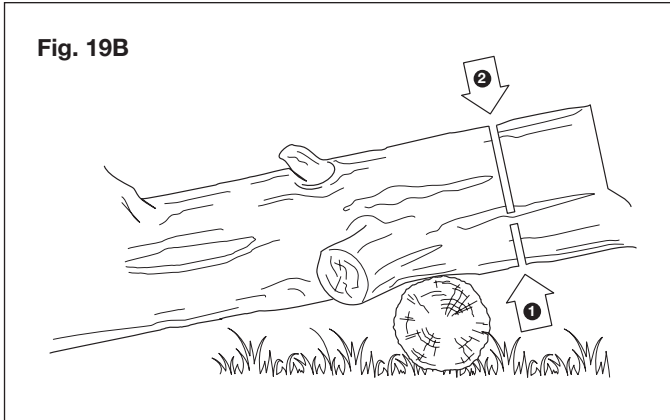
- **Leñado de un tronco**

El leñado es el proceso en el cual un tronco es cortado en pedazos. Es importante asegurarse de que usted se encuentre parado firmemente y que su peso esté distribuido de forma uniforme en ambos pies. De ser posible, el tronco debe ser levantado y apoyado por el uso de ramas, troncos o cuñas. Siga estas direcciones simples para un corte fácil:

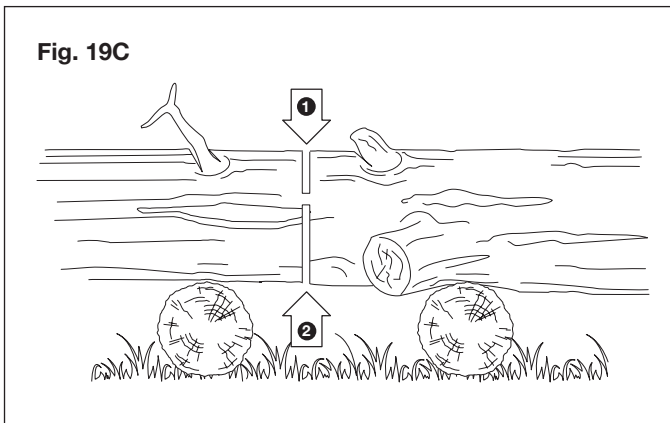
I) Cuando el tronco es sostenido a través de toda su longitud tal como se ilustra (Fig. 19A), se corta desde arriba (leñado de arriba hacia abajo).



II) Cuando el tronco es sostenido en un extremo (Fig. 19B), corte 1/3 del diámetro desde el lado inferior (leñado desde abajo hacia arriba). Luego haga el corte final mediante el leñado de arriba hacia abajo para encontrar el primer corte.

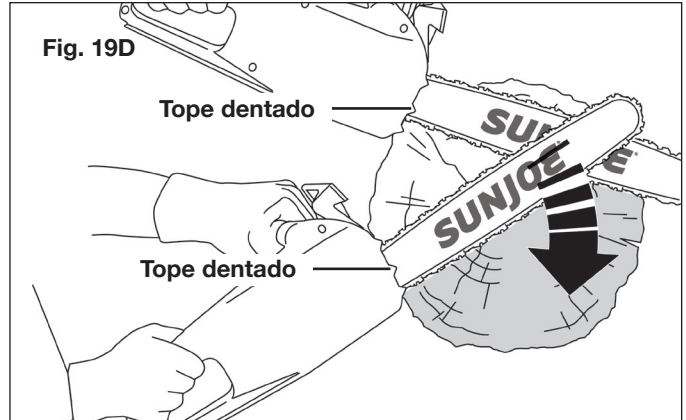


III) Cuando el tronco es sostenido en un extremo (Fig. 19C), corte 1/3 del diámetro desde el lado inferior (leñado desde arriba hacia abajo). Luego haga el corte final mediante un leñado de abajo hacia arriba a través de los 2/3 inferiores del diámetro para encontrarse con el primer corte.



IV) Es más fácil serrar un tronco usando el tope dentado (Fig. 19D).

- Entierre el tope dentado en el tronco y úselo como pivote. Corte con un movimiento en arco para hacer que la barra penetre en la madera.
- Repita varias veces de ser necesario, cambiando el punto en donde usted plante el tope dentado.
- Al leñar en una pendiente, siempre párese en el lado colina arriba del tronco (Fig. 20). Al cortar a través del tronco, mantenga el control liberando la presión de corte cerca al extremo del corte sin relajar su sujeción en los mangos de la motosierra. No deje que la cadena haga contacto con el piso.



Luego de completar el corte, espere que la motosierra se detenga antes de que usted mueva la motosierra. Siempre detenga el motor antes de moverse de un árbol a otro.



## Al acabar su trabajo

Cuando haya terminado su trabajo:

- Apague el motor y desenchufe la unidad de la fuente de alimentación.
- Espere que la cadena se detenga y permita que la máquina se enfríe.
- Retire el aserrín o acumulaciones de aceite de la cadena.
- Si hay un exceso de tierra o acumulación de resina, desarme la cadena y colóquela en un contenedor con un limpiador adecuado. Luego enjuáguela con agua limpia y trátela con un aerosol anticorrosivo adecuado antes de reensamblarla a la máquina.
- Coloque la funda de la barra de corte sobre la barra antes de guardar la motosierra.

**⚠ ¡ADVERTENCIA!** Deje que el motor se enfríe por completo antes de guardar la motosierra en cualquier lugar cerrado.

Para reducir el riesgo de incendios, limpie a fondo la máquina para retirar aserrín, ramas, hojas o exceso de grasa. Nunca

deje los contenedores con residuos de corte dentro del área de almacenamiento.

## Mantenimiento

Contacte a un concesionario autorizado Snow Joe® + Sun Joe® o llame a la central de servicio al cliente Snow Joe® + Sun Joe® al 1-866-SNOWJOE (1-866-766-9563) para cualquier operación de mantenimiento no descrita en este manual. Cualquier operación llevada a cabo en un centro no autorizado o por personal no calificado invalidará por completo la garantía.

**⚠ ¡ADVERTENCIA!** Para su seguridad y la de los demás:

- Un mantenimiento correcto es esencial para conservar la eficiencia original y seguridad de la máquina con el tiempo.
- Mantenga todos los pernos, tuercas y tornillos ajustados para garantizar que el equipo esté en una condición segura de funcionamiento.
- Nunca use la máquina con partes gastadas o dañadas. Las partes dañadas deben ser reemplazadas y nunca reparadas.
- Sólo use partes de repuesto originales Snow Joe® + Sun Joe®. Las partes que no son de la misma calidad pueden dañar severamente el equipo, comprometer la seguridad e invalidar la garantía.

**⚠ ¡ADVERTENCIA!** Siempre desenchufe su motosierra de la fuente de alimentación antes de llevar a cabo cualquier ajuste, tarea de mantenimiento o reparación en ésta.

- Use guantes protectores al manipular la barra y la cadena.
- Mantenga colocada la funda protectora de barra de corte, excepto al intervenir directamente en la barra o la cadena.
- Nunca se deshaga de aceites u otros materiales contaminantes en lugares no autorizados.

## Enfriamiento del motor

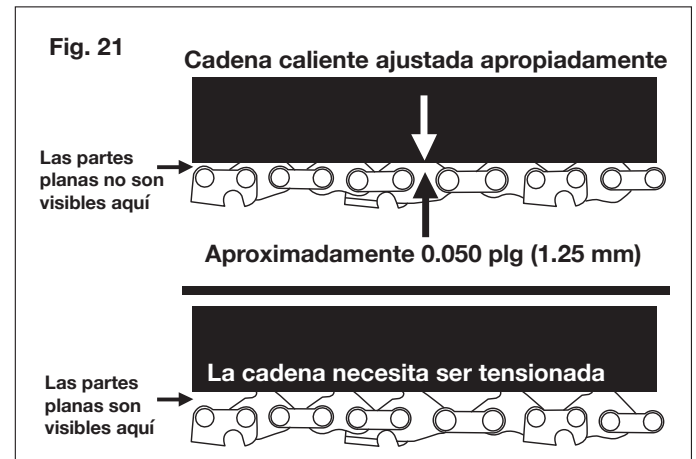
Para evitar el sobrecalentamiento y daños al motor, mantenga siempre las rejillas de ventilación limpias y libres de aserrín y residuos.

## Tensión de cadena

Verifique la tensión de la cadena antes de usar la motosierra, cuando la cadena esté fría. Una cadena fría está tensionada correctamente cuando no hay un exceso en el lado inferior de la barra-guía: la cadena está ajustada, pero usted puede rotarla a mano sin empujarla.

Durante la operación normal de la motosierra, la temperatura de la cadena se incrementará. Los eslabones de impulso de una cadena caliente tensionada correctamente colgarán aproximadamente a 0.05 plg (1.25 mm) de la ranura de la barra (Fig. 21). Tenga en cuenta que una cadena tensionada, cuando está caliente, puede terminar demasiado ajustada al enfriarse.

Verifique la “tensión en frío” antes del próximo uso. La cadena deberá ser re-tensionada cuando las partes planas en los eslabones de impulso cuelguen de la ranura de la barra (Fig. 21).



**NOTA:** una nueva cadena tiende a estirarse. Compruebe la tensión de cadena y re-tensione según sea necesario.

## Tuercas y tornillos

Compruebe de forma periódica que todos los tornillos y tuercas estén ajustados de forma segura, y que las empuñaduras estén fijamente colocadas.

## Afilado de la cadena

**⚠ ¡ADVERTENCIA!** Para asegurarse de que la motosierra funcione de forma segura y eficiente, es esencial que los componentes de corte estén bien afilados. **Se recomienda reemplazar la cadena una vez que pierda su habilidad de cortar de forma limpia y segura.** Es posible, sin embargo, afilar la cadena existente si el afilado se hace cuidadosamente. Cualquier trabajo en la cadena y barra requiere de una experiencia específica y herramientas especiales. Por motivos de seguridad le recomendamos contactar a un concesionario autorizado Snow Joe® + Sun Joe® o llame a la central de servicio al cliente Snow Joe® + Sun Joe® al 1-866-SNOWJOE (1-866-766-9563).

El afilamiento es necesario cuando:

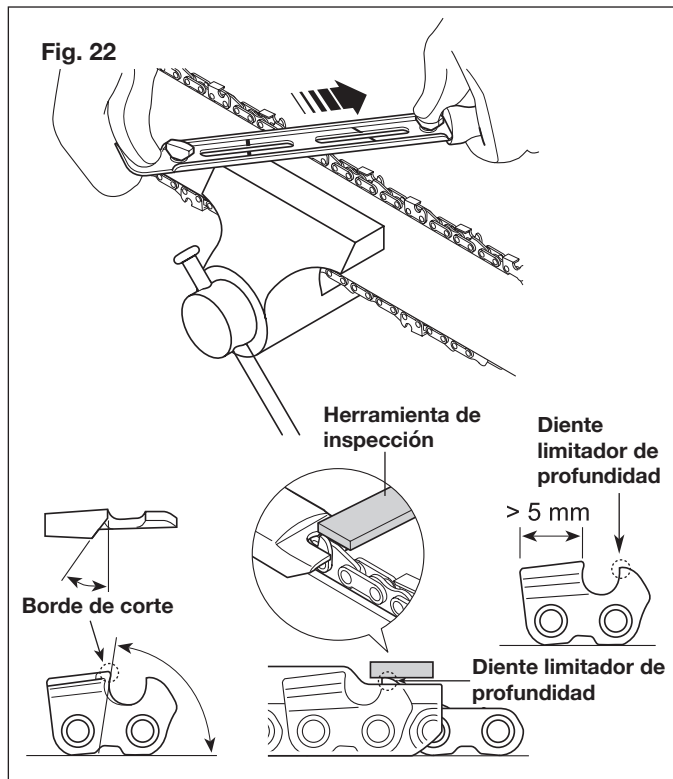
- El aserrín parece polvo;
- El corte se hace más difícil;
- El corte no es recto; o
- Las vibraciones aumentan.

Un centro de servicio autorizado afilará la cadena usando las herramientas correctas para asegurar un mínimo retiro de material y afilado parejo en todos los bordes de corte.

Si usted mismo afila la cadena, use limas especiales de secciones redondeadas con el diámetro de 5/32 plg (4 mm). Usted necesita un cierto nivel de destreza y experiencia para evitar dañar los bordes de corte.

Afile la cadena como se indica (Fig. 22):

- Asegure la barra firmemente, con la cadena montada, en un tornillo de banco adecuado.
- Ajuste la cadena si está suelta.
- Monte la lima en la guía y luego insértela en el diente, a un ángulo constante del borde de corte.
- Afile en un movimiento hacia adelante unas cuantas veces, y repítalo en todos los bordes de corte en la misma dirección (izquierda o derecha).
- Para hacer avanzar la cadena, use un destornillador.
- Voltee la barra en el tornillo de banco y repita en los demás bordes de corte.
- Compruebe que el diente limitador no sobresalga más que el instrumento de inspección, y lime cualquier parte saliente con una lima plana, redondeando los bordes (Fig. 22).
- Luego del afilado, retire todos los residuos de afilado y polvo, y lubrique la cadena en un baño de aceite. Reemplace la cadena cuando:
  - la longitud de los bordes de corte se reduce a 5 mm o menos; o
  - haya demasiada holgura entre los eslabones y los remaches.



## Mantenimiento de la barra-guía

Cuando la barra-guía muestre señales de desgaste, déle vuelta en la motosierra para distribuir el desgaste y lograr un máximo ciclo de vida útil de la barra. El desflechado y desbarbado de los rieles de la barra son fenómenos normales del desgaste de la barra. Uste debe corregir dichas fallas con un afilador tan pronto como ocurran.

Reemplace una barra con cualquiera de las siguientes fallas:

- desgaste dentro de los rieles de la barra, dejando que la cadena yazca de costado;
- barra-guía doblada;
- rieles resquebrajados o rotos; o
- rieles partidos.

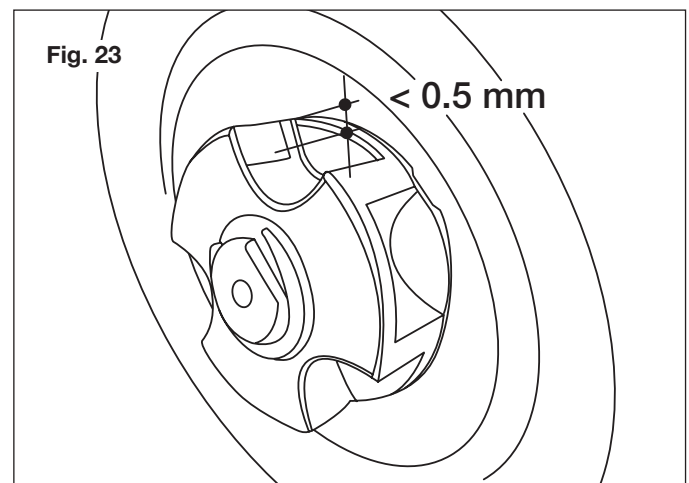
Voltee la motosierra, inspeccione el lado inferior de la barra-guía, y asegúrese de que los orificios de lubricación y la ranura de la cadena estén libres de impurezas.

Usted puede adquirir partes de repuesto para su motosierra eléctrica SWJ599E de Sun Joe® ordenando en línea en [sunjoe.com](http://sunjoe.com), o por teléfono llamando al centro de servicio al cliente Snow Joe® + Sun Joe® al 1-866-SNOWJOE (1-866-766-9563).

## Piñón de cadena

Compruebe regularmente la condición del piñón y reemplácelo cuando el desgaste exceda los 0.5 mm (Fig. 23).

No monte una nueva cadena con un piñón gastado o viceversa.






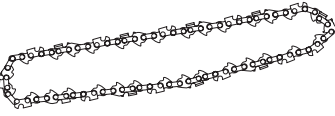
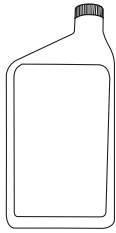
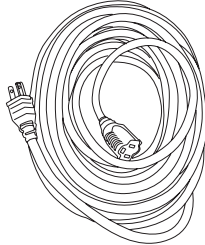


## Solución de problemas

Falla	Causa posible	Solución
El motor no arranca cuando usted enciende la unidad	• Cable no conectado a la fuente de alimentación	• Asegúrese de que el cable esté conectado a una fuente de alimentación
	• No funciona el gatillo	• Verifique que el botón de trabado de seguridad esté presionado por completo antes de activar el gatillo interruptor
	• Cable de extensión no conectado al enchufe	• Compruebe que el cable de extensión esté conectado correctamente a la herramienta
	• Cable de extensión o cable de alimentación dañado	• Repare o reemplace el cable dañado
	• Escobillas de motor gastadas	• Las escobillas del motor deben ser reemplazadas
La barra y la cadena funcionan muy calientes y echan humo.	• Hay demasiada tensión en la cadena	• Ajuste la tensión de la cadena
	• Tanque de aceite vacío	• Llene el tanque con aceite de cadena
	• Cadena instalada al revés	• Voltee la cadena de manera que los cortadores encaren la dirección correcta
El motor funciona, pero la cadena no gira	• Hay demasiada tensión en la cadena	• Ajuste la tensión de la cadena
	• Posibles daños en barra-guía y cadena	• Reemplace la cadena y barra con partes de repuesto idénticas
Rendimiento deficiente de corte	• Cadena con puntas desafiladas	• Afile o reemplace la cadena de la motosierra
	• Tensión incorrecta de cadena	• Verifique la tensión de la cadena
	• Cadena de motosierra colocada incorrectamente	• Verifique la orientación de la cadena
La cadena se salta de la barra-guía	• Tensión incorrecta de cadena	• Verifique la tensión de la cadena
La cadena funciona pero con dificultad	• Tensión incorrecta de cadena	• Verifique la tensión de la cadena

## Accesorios opcionales

**⚠️ ¡ADVERTENCIA!** USE SIEMPRE solo partes de repuesto y accesorios Snow Joe® + Sun Joe®. NUNCA use partes de repuesto o accesorios que no estén destinados para su uso con esta motosierra. Comuníquese con Snow Joe® + Sun Joe® si tiene dudas sobre si es seguro usar una parte de repuesto o accesorio en particular con su herramienta. El uso de cualquier otro accesorio o parte puede ser peligroso y causar lesiones personales o daños mecánicos.

Accesorio	Descripción	Modelo
<p>①</p> 	<p>Barra-guía de 14 plg (35.6 cm)</p>	<p>SWJ-14BAR</p>
<p>②</p> 	<p>Cadena de 14 plg (35,6 cm)</p>	<p>SWJ-14CHAIN</p>
<p>③</p> 	<p>Aceite para barra y cadena</p>	<p>SWJ-OIL (De venta en <a href="http://sunjoe.com">sunjoe.com</a>, o puede comprar un aceite equivalente para barra y cadena en su ferretería local)</p>
<p>④</p> 	<p>Cable de extensión de 50 pies y calibre 14 Snow Joe® + Sun Joe® SJTW-A con extremo iluminado.</p>	<p>PJEXT50-B</p>

**NOTA:** los accesorios están sujetos a cambios sin obligación alguna por parte de Snow Joe® + Sun Joe® de notificar sobre dichos cambios. Los accesorios pueden ser pedidos en línea en [sunjoe.com](http://sunjoe.com) o vía telefónica llamando al centro de servicio al cliente Snow Joe® + Sun Joe® al 1-866-SNOWJOE (1-866-766-9563).



## LA PROMESA DE SNOW JOE® + SUN JOE® AL CLIENTE

**POR SOBRE TODO**, en Snow Joe, LLC (“Snow Joe”) estamos dedicados a usted, nuestro cliente. Nos esforzamos por hacer que su experiencia sea lo más placentera posible. Desafortunadamente, hay veces en que un producto Snow Joe®, Sun Joe®, o Aqua Joe® (el “Producto”) no funciona o sufre un desperfecto bajo condiciones normales de operación. Creemos que es importante que usted sepa que puede confiar en nosotros. Es por eso que tenemos esta Garantía Limitada (la “Garantía”) para nuestros Productos.

### **NUESTRA GARANTÍA:**

Snow Joe garantiza que sus Productos motorizados y no motorizados, nuevos y genuinos, están libres de defectos materiales o de mano de obra al ser usados en tareas domésticas normales durante un periodo de dos (2) años a partir de la fecha de compra por parte del comprador original y usuario final, cuando este último los compra a través de Snow Joe o un vendedor autorizado por Snow Joe y ha obtenido un comprobante de compra. Ya que Snow Joe no puede controlar la calidad de sus Productos vendidos por vendedores no autorizados, a menos que la ley lo prohíba esta Garantía no cubre Productos adquiridos a través de vendedores no autorizados. Si su Producto no funciona, o hay un problema con una parte específica que está cubierta por los términos de esta Garantía, Snow Joe elegirá entre: (1) enviarle una parte de repuesto gratuita; (2) reemplazar el Producto con uno nuevo o similar sin costo alguno; o (3) reparar el Producto. ¡Un excelente soporte!

**Esta Garantía le da derechos legales específicos, y usted puede también tener otros derechos según el Estado.**

### **REGISTRO DEL PRODUCTO:**

Snow Joe le recomienda enfáticamente registrar su Producto. Usted puede registrar su Producto en línea visitando [snowjoe.com/register](http://snowjoe.com/register), imprimiendo y enviando por correo una tarjeta de registro disponible en línea en nuestro sitio Web, llamando a nuestra central de servicio al cliente al **1-866-SNOWJOE (1-866-766-9563)**, o enviándonos un e-mail a [help@snowjoe.com](mailto:help@snowjoe.com). Si usted no registra su Producto sus derechos de garantía no disminuirán; sin embargo, registrar su Producto permitirá que Snow Joe le pueda atender mejor si usted tiene alguna necesidad como cliente.

### **¿QUIÉN PUEDE SOLICITAR COBERTURA DE GARANTÍA LIMITADA?**

Esta Garantía es otorgada por Snow Joe al comprador original y propietario original del Producto.

### **¿QUÉ NO ESTÁ CUBIERTO?**

Esta Garantía no se aplica si el Producto ha sido usado de forma comercial o en aplicaciones no domésticas o de alquiler. Esta Garantía tampoco se aplica si el Producto fue adquirido desde un vendedor no autorizado. Esta garantía tampoco cubre cambios cosméticos que no afecten el funcionamiento del Producto. Las partes desgastables como correas, brocas y cuchillas no están cubiertas por esta Garantía, y pueden ser compradas visitando [snowjoe.com](http://snowjoe.com) o llamando al **1-866-SNOWJOE (1-866-766-9563)**.





# SCIE À CHAÎNE ÉLECTRIQUE

35,6 cm | 9 A

## MANUEL D'UTILISATION

Une division de Snow Joe<sup>®</sup>, LLC

Modèle SWJ599E


Formulaire n° SJ-SWJ599E-880F-MR3

## IMPORTANT!

### Consignes de sécurité

### Tous les utilisateurs doivent lire ces instructions avant d'utiliser l'outil

Lisez toutes les instructions contenues dans ce manuel. Conservez ce manuel en lieu sûr pour que les informations qu'il contient soient disponibles en permanence. Si vous confiez l'outil à une autre personne, assurez-vous de lui fournir ces consignes d'utilisation. Les précautions de sécurité de base doivent toujours être suivies pour réduire le risque d'incendie, d'électrocution ou de se blesser.

Prenez note du symbole d'alerte de sécurité personnelle  utilisé dans ce manuel pour attirer votre attention sur un **AVERTISSEMENT** s'appliquant à une consigne d'utilisation particulière. Ce symbole indique que cette utilisation nécessite d'être particulièrement **VIGILANT, DE PRENDRE DES PRÉCAUTIONS** et d'être **CONSCIENT DES DANGERS**.

### Utilisation prévue

Cette scie à chaîne électrique a été conçue et fabriquée pour tailler et élaguer le branchage et les branches d'arbre et pour scier de petites bûches mesurant jusqu'à 25 cm d'épaisseur. Tout ce qui est en bois et qui est destiné à être coupé à l'aide de cette scie à chaîne ne doit pas être plus épais que les capacités maximales de sciage du guide-chaîne.

### Utilisation inappropriée


Toute autre utilisation différente de celles mentionnées ci-dessus présente de graves dangers pour l'utilisateur et peut endommager à la fois l'outil et ses biens personnels. Parmi les exemples d'utilisation inappropriée peuvent figurer, sans toutefois s'y limiter :

- la taille de haies;
- la découpe;
- le sectionnement de palettes, de caisses ou de divers matériaux d'emballage;
- le sectionnement de meubles ou d'autres matériaux ayant des clous, des vis ou d'autres composants en métal;
- la découpe de pièces de viande;

- l'utilisation de l'outil pour soulever, déplacer ou fendre des objets;
- l'utilisation de l'outil en l'attachant à des supports fixes.

L'utilisation inappropriée de l'outil annulera la garantie et dégagera le fabricant de toutes ses responsabilités. Dès lors, l'utilisateur sera responsable de tous les dommages matériels ou corporels, de quelque nature qu'ils soient, affectant d'autres personnes ou lui-même.

## Sécurité générale

 **AVERTISSEMENT!** Lors de l'utilisation d'outils de jardinage électriques, les mesures de sécurité de base doivent toujours être prises pour réduire le risque d'incendie, d'électrocution ou de blessure, notamment :

- 1. Maintenir en place les dispositifs de protection**  
– Les dispositifs de protection doivent être vérifiés périodiquement pour s'assurer qu'ils sont bien attachés et en bon ordre de marche.
- 2. Retirer les clavettes de calage et les clés de réglage**  
– Avant de la mettre en marche, vérifiez que les clés de réglage sont retirées de la scie.
- 3. Maintenir la zone de travail propre et bien éclairée** – Chaque fois que vous avez fini d'utiliser l'outil, dégagez la zone de travail de tous les branchages et de toutes les branches jonchant le sol. Les endroits encombrés sont propices aux accidents.
- 4. Éviter les situations dangereuses** – N'utilisez pas cet outil quand il pleut, par temps orageux ou dans les endroits très humides. N'utilisez pas l'outil quand il y a du gaz dans l'air ou quand l'atmosphère est explosive. Le moteur de ce type d'outils fait des étincelles qui peuvent enflammer des vapeurs.
- 5. Ne pas utiliser la scie à chaîne sous la pluie.**
- 6. Maintenir les spectateurs et les enfants à bonne distance** – Tous les spectateurs, notamment les enfants et les animaux familiers, doivent être maintenus à une distance de sécurité de la zone de travail.
- 7. Ne pas forcer l'outil** – Il exécutera le travail efficacement et sans danger s'il est utilisé au régime pour lequel il a été conçu.
- 8. Utiliser le bon outil** – Ne forcez pas l'outil ou l'un quelconque des accessoires de l'outil pour accomplir des tâches pour lesquelles il n'est pas destiné.
- 9. Porter des vêtements adaptés** – Ne portez pas de vêtements amples ou des bijoux dans la mesure où ce type d'articles peut se prendre dans les pièces mobiles.

Le port de gants résistants en caoutchouc, de chaussures montantes et antidérapantes et de vêtements serrés au corps est recommandé pour les travaux d'extérieur nécessitant des outils électriques.

10. **Les cheveux longs doivent être ramassés sous un couvre-chef.**
11. **Toujours porter des lunettes de sécurité et des protecteurs d'oreilles pour assurer la protection des yeux et de l'ouïe** – Les lunettes que l'on porte tous les jours ont des verres antichoc, mais n'offrent pas la même sécurité que les lunettes de sécurité.
12. **Porter un masque facial ou un masque protecteur contre la poussière** – Si les travaux de coupe dégagent de la poussière, il est recommandé de porter un masque facial ou un masque protecteur contre la poussière spécifiquement conçu pour filtrer les particules microscopiques.
13. **Ne pas s'arc-bouter** – Restez en permanence sur vos deux pieds pour ne pas perdre l'équilibre.
14. **Entretenir les outils avec soin** – Pour qu'ils puissent être utilisés au mieux de leur rendement et sans danger, maintenez les outils affûtés et propres. Suivez les consignes de lubrification et de changement d'accessoire.
15. **Débrancher l'outil** – Débranchez la scie à chaîne de la source d'alimentation quand elle n'est pas utilisée, avant de la réparer ou de l'entretenir, et lors du transport ou du changement de la chaîne ou de tout autre accessoire.
16. **Réduire le risque de démarrage accidentel** – Avant de brancher l'outil sur une source d'alimentation, assurez-vous que l'interrupteur soit sur la position d'arrêt.
17. **Utiliser des accessoires recommandés** – Consultez le manuel de l'utilisateur qui indique les accessoires recommandés. L'utilisation d'accessoires inadaptés peut être à l'origine de blessures.
18. **Vérifier que les pièces ne sont pas endommagées** – Avant chaque utilisation, réparez ou remplacez tout dispositif de protection ou toute pièce endommagée. Par ailleurs, vérifiez l'alignement des pièces mobiles, qu'aucune pièce ne grippe ou n'est cassée, les fixations et tout autre problème susceptible d'entraver le bon fonctionnement de l'outil.
19. **Ne jamais laisser l'outil sans surveillance pendant que le moteur tourne** – Coupez la source d'alimentation en retirant le cordon d'alimentation de la prise. Ne vous éloignez pas de la scie tant que le guide-chaîne n'est pas complètement arrêté.
20. **Prévenir les démarrages accidentels** – Ne transportez pas la scie à chaîne en maintenant le doigt sur l'interrupteur.
21. **Pour transporter la scie ou la tenir, ne pas la saisir par le guide-chaîne ou la chaîne elle-même en l'absence de la coiffe protectrice** – Assurez-vous de placer le guide-chaîne dans sa coiffe protectrice quand vous n'utilisez pas la scie.

22. **Rester vigilant** – Surveillez ce que vous faites. Faites preuve de bon sens. N'utilisez pas la scie à chaîne quand vous êtes fatigué.

23. **Remiser l'outil à l'intérieur, à l'arrêt complet** – Quand ils ne sont pas utilisés, les outils doivent être remisés à l'intérieur dans un endroit sec, surélevé ou sous clé, hors de portée des enfants.

## Utilisation de la scie à chaîne et précautions à prendre

Conservez tous les avertissements et consignes pour vous y reporter dans le futur. Le terme « outil électrique » utilisé dans les avertissements fait référence à votre scie à chaîne électrique.

**⚠ AVERTISSEMENT!** Appuyer sur le bouton-poussoir pour arrêter l'outil électrique et le débrancher de la source d'alimentation avant de le régler, de l'inspecter, de le réparer ou de le nettoyer, lors d'un changement d'accessoire ou quand d'autres conditions dangereuses se présentent. Toutes les tâches d'entretien doivent être effectuées une fois que les pièces tournantes de l'outil électrique se sont complètement arrêtées. Ces mesures préventives de sécurité visent à réduire le risque de démarrage accidentel de l'outil électrique.

1. Ne forcez pas l'outil électrique. Utilisez l'outil électrique adéquat pour la tâche à entreprendre. L'outil électrique fonctionnera mieux et sera moins susceptible d'être à l'origine de dommages corporels ou mécaniques s'il est utilisé au régime pour lequel il a été conçu.
2. N'utilisez pas l'outil électrique si le bouton-poussoir marche-arrêt ne fonctionne pas. Un outil électrique qui ne répond pas aux commandes du bouton-poussoir est dangereux et doit être réparé.
3. Avant de procéder à des réglages, de changer d'accessoire ou de ranger l'outil électrique, débranchez-le de la source d'alimentation. Ces mesures préventives de sécurité visent à réduire le risque de démarrage accidentel de l'outil électrique.
4. Rangez les outils électriques à l'arrêt complet et à l'intérieur dans un endroit sec, sous clé et hors de portée des enfants. N'autorisez pas l'accès à l'outil aux personnes qui ne sont pas familiarisées avec l'outil électrique ou avec les présentes instructions. Les outils électriques sont dangereux quand ils sont entre les mains d'utilisateurs inexpérimentés.
5. Entretenez soigneusement les outils électriques pour pouvoir les utiliser sans danger et assurer leur rendement optimal. Maintenez les poignées sèches, propres et exemptes d'huile et de graisse. Vérifiez que les pièces mobiles sont alignées et que rien ne gêne leur mobilité, qu'aucune pièce n'est cassée, et tout autre problème susceptible d'entraver le bon fonctionnement de l'outil. Si vous constatez que l'outil électrique est endommagé, faites-le réparer avant de l'utiliser. Les outils électriques mal entretenus sont à l'origine de nombreux accidents.



6. Maintenez les outils tranchants bien affûtés et propres. Les outils ayant des tranchants bien affûtés sont moins susceptibles de se bloquer et sont plus maniables.
7. Utilisez l'outil électrique et les accessoires en respectant ces instructions, et assurez-vous de tenir compte des conditions de travail et de la tâche à effectuer. L'utilisation de l'outil électrique pour des travaux autres que ceux auxquels il est destiné peut être à l'origine de situations dangereuses.
8. Les pièces mobiles présentent des risques. Maintenez le visage, les cheveux, les vêtements, les mains et les pieds éloignés de toutes les pièces mobiles. Toutes les protections et tous les accessoires de sécurité doivent être convenablement posés avant d'utiliser l'outil électrique. Coupez et débranchez la source d'alimentation avant de toucher les pièces autres que les poignées et le bouton-poussoir marche-arrêt.

## Sécurité électrique

1. Des dispositifs de protection contre les défauts de terre (disjoncteurs de fuite de terre) doivent être fournis sur le(s) circuit(s) ou la(les) prise(s) utilisés pour cette scie à chaîne électrique. Des prises intégrant un disjoncteur de fuite de terre sont offertes et peuvent être utilisées pour répondre à cette mesure de sécurité.
2. Assurez-vous que la tension de secteur correspond à celle indiquée sur l'étiquette signalétique de l'outil. L'utilisation d'une tension inappropriée pourrait endommager le moteur et blesser l'utilisateur.
3. Pour éviter une électrocution, utilisez uniquement une rallonge électrique appropriée pour l'extérieur, par exemple les modèles SW-A, SOW-A, STW-A, STOW-A, SJW-A, SJOW-A, SJTW-A ou SJTOW-A.

Avant son utilisation, vérifiez que la rallonge électrique est en bon état. Si vous utilisez une rallonge électrique, assurez-vous qu'elle est de calibre suffisant pour le courant que l'outil va consommer. Une rallonge sous-dimensionnée provoquera une chute de tension dans les lignes, ce qui entraînera une perte de puissance et une surchauffe.



**AVERTISSEMENT!**



**Toute électrocution peut entraîner des BLESSURES GRAVES pouvant même être FATALES. Tenir compte de ces avertissements :**

- Ne laisser aucune pièce de la scie à chaîne électrique entrer en contact avec de l'eau pendant son utilisation. Si l'outil se mouille lorsqu'il n'est pas sous tension, l'essuyer avant de la redémarrer.
- Utiliser uniquement une rallonge électrique homologuée UL, CSA ou ETL pour l'extérieur et tout temps.
- Ne pas utiliser de rallonge électrique d'une longueur supérieure à 30 m.
- Ne pas toucher l'outil ou sa prise de courant les mains mouillées ou les pieds dans l'eau. Le port de bottes de caoutchouc offre une certaine protection.

**TABLEAU - RALLONGE ÉLECTRIQUE**

Longueur de la rallonge électrique	Jusqu'à 15 m	+15 m -30 m
Calibre de fil (AWG)	16	14

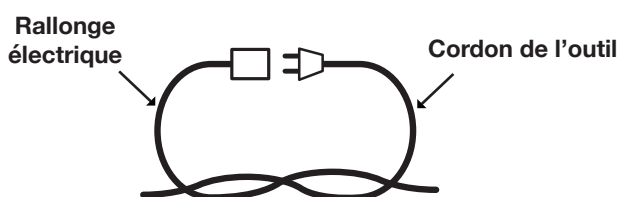
4. Pour réduire le risque d'électrocution, cet outil est muni d'une fiche polarisée (c.-à-d., une lame est plus large que l'autre). Utilisez cet outil uniquement avec une rallonge électrique à fiche polarisée, homologuée UL, CSA ou ETL, recommandée pour l'extérieur et tout temps.

La fiche de l'outil ne s'insère que d'une seule façon dans une rallonge à fiche polarisée. Si la fiche de l'outil ne rentre pas complètement dans la rallonge, inversez-la. Si la fiche ne s'insère toujours pas, procurez-vous une rallonge à fiche polarisée. Une rallonge à fiche polarisée nécessite l'utilisation d'une prise murale polarisée. La fiche polarisée de la rallonge ne s'insère que d'une seule façon dans la prise murale polarisée. Si la fiche ne rentre pas complètement dans la prise murale, inversez-la. Si la fiche ne s'insère toujours pas, communiquez avec un électricien qualifié pour qu'il pose une prise adéquate. Ne modifiez en aucune façon la fiche de l'outil, la prise de la rallonge ou la fiche de la rallonge.

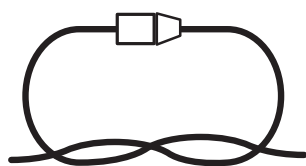
La fiche de l'outil ne s'insère que d'une seule façon dans une rallonge à fiche polarisée. Si la fiche de l'outil ne rentre pas complètement dans la rallonge, inversez-la. Si la fiche ne s'insère toujours pas, procurez-vous une rallonge à fiche polarisée. Une rallonge à fiche polarisée nécessite l'utilisation d'une prise murale polarisée. La fiche polarisée de la rallonge ne s'insère que d'une seule façon dans la prise murale polarisée. Si la fiche ne rentre pas complètement dans la prise murale, inversez-la. Si la fiche ne s'insère toujours pas, communiquez avec un électricien qualifié pour qu'il pose une prise adéquate. Ne modifiez en aucune façon la fiche de l'outil, la prise de la rallonge ou la fiche de la rallonge.

5. Pour empêcher que le cordon de l'outil se débranche de la rallonge électrique pendant son utilisation, utilisez le crochet de retenue de rallonge électrique et/ou faites un nœud avec les deux cordons comme l'illustre le Tableau 1.

**Tableau 1. Méthode d'attache de rallonge électrique**




**(A) Nouer les cordons comme sur l'illustration**



**(B) Brancher la fiche dans la prise**

6. N'utilisez pas le cordon à mauvais escient. Ne tirez jamais la scie à chaîne par le cordon et ne tirez pas brusquement sur le cordon pour le retirer de la prise. Maintenez le cordon éloigné de la chaleur, de l'huile et des objets tranchants.

## Outils à double isolation

Les outils à double isolation sont dotés de deux systèmes d'isolation au lieu d'une mise à la terre. Aucune mise à la terre n'est prévue sur les outils à double isolation et aucune mise à la terre ne doit être ajoutée à ces outils. Toute intervention sur un outil à double isolation exige un soin extrême et une parfaite connaissance du système et doit être effectuée uniquement par du personnel technique qualifié chez un revendeur Snow Joe® + Sun Joe® agréé. Les pièces de rechange pour un outil à double isolation doivent être identiques aux pièces d'origine. Les indications « Double Insulation » (double isolation) ou « Double Insulated » (doublement isolé) sont marquées sur tous les outils à double isolation. Le symbole  (carré dans un carré) peut être également marqué sur l'outil.



**DOUBLE ISOLATION : MISE À LA TERRE NON NÉCESSAIRE. POUR LES RÉPARATIONS, UTILISER UNIQUEMENT DES PIÈCES DE RECHANGE IDENTIQUES.**

La scie à chaîne électrique est à double isolation, éliminant ainsi la nécessité d'un système séparé de mise à la terre. Utilisez uniquement des pièces de rechange identiques. Lisez les instructions avant d'intervenir sur un outil à double isolation. Utilisez cette scie à chaîne comme cela est décrit dans ce manuel.

## Entretien et réparation

- Faites réparer ou entretenir votre outil électrique par un réparateur qualifié chez un revendeur Snow Joe® + Sun Joe® agréé utilisant uniquement des pièces de rechange identiques ou appelez le service clientèle Snow Joe® + Sun Joe® au 1-866-SNOWJOE (1-866-766-9563). C'est à ce prix que la sécurité de l'outil électrique sera préservée.

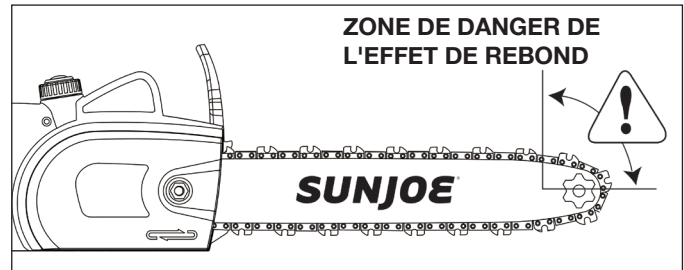
## Avertissements de sécurité concernant les scies à chaîne

- Quand vous l'utilisez, maintenez toutes les parties du corps éloignées de la scie à chaîne. Avant de démarrer la scie à chaîne, assurez-vous qu'elle n'est en contact avec rien. Un moment d'inattention pendant l'utilisation de la scie à chaîne peut entraîner l'enchevêtrement de vos vêtements dans la scie à chaîne, une partie de votre corps pouvant même se prendre dedans.
- Tenez toujours la scie à chaîne en maintenant la main droite sur la poignée arrière et la main gauche sur la poignée avant. Si vous ne maintenez pas les mains de cette façon sur les poignées respectives, vous risquez davantage de vous blesser et il est par conséquent vivement déconseillé de ne pas respecter cette consigne de sécurité.
- Saisissez l'outil électrique en plaçant la main uniquement sur la surface isolée prévue à cet effet, car la chaîne de la scie peut entrer en contact avec un câble dissimulé ou son cordon d'alimentation. Lorsque la chaîne d'une scie touche un fil ou un câble « sous tension », les pièces métalliques à nu de l'outil électrique peuvent elles aussi être « sous tension » et électrocuter l'utilisateur.
- Portez des lunettes de sécurité et une protection de l'ouïe. Si vous utilisez la scie à chaîne tous les jours dans des conditions normales, vous pouvez être exposé à un niveau sonore de 85 dB(A) ou plus. Un équipement de protection supplémentaire pour la tête, les mains, les jambes et les pieds est recommandé. Des vêtements de protection appropriés réduiront le risque d'être blessé par des débris volants ou suite à un contact accidentel avec la chaîne de la scie.
- N'utilisez pas la scie à chaîne dans un arbre. Vous pourriez vous blesser si vous avez grimpé sur un arbre et si vous utilisez une scie à chaîne.
- Restez toujours sur vos deux pieds et utilisez la scie

à chaîne uniquement quand vous êtes debout sur une surface plane, fixe et ne présentant aucun danger. Les surfaces glissantes ou instables, par exemple les échelles, peuvent vous faire perdre l'équilibre et le contrôle de la scie à chaîne.

- Quand vous coupez une branche qui est sous tension, veillez au retour soudain en coup de fouet de la branche. Quand la tension des fibres de bois se relâche, la branche, comme sous l'effet d'un ressort, peut frapper l'utilisateur et/ou lui faire perdre le contrôle de la scie à chaîne.
- Faites preuve d'une extrême prudence quand vous coupez des haies ou de jeunes arbres. Le branchage effilé peut attraper la chaîne de la scie et se relâcher brusquement en vous faisant perdre l'équilibre.
- Transportez la scie à chaîne par la poignée avant, la scie à chaîne étant à l'arrêt et éloignée de votre corps. Quand vous transportez ou rangez la scie à chaîne, replacez toujours la coiffe du guide-chaîne. En manipulant de façon appropriée la scie à chaîne, vous réduirez la probabilité d'un contact accidentel avec la chaîne en mouvement de la scie.
- Suivez les instructions de lubrification, de tension de la chaîne et de changement d'accessoire. Une chaîne mal tendue ou mal lubrifiée peut se rompre ou être plus susceptible de présenter des effets de rebond.
- Maintenez les poignées sèches, propres et exemptes d'huile et de graisse. Les poignées grasses ou huileuses sont glissantes et peuvent vous faire perdre le contrôle de votre outil.
- Sciez uniquement du bois. N'utilisez pas la scie à chaîne à d'autres fins. Par exemple, n'utilisez pas la scie à chaîne pour couper du plastique, des matériaux de construction de maçonnerie ou qui ne sont pas en bois. L'utilisation de la scie à chaîne pour ce type de matériau pourrait gravement vous blesser et endommager votre outil.

## Comment prévenir l'effet de rebond



L'effet de rebond est le résultat d'une mauvaise utilisation de l'outil et/ou de procédures ou de conditions d'utilisation inappropriées. Il peut se produire quand le bout ou l'extrémité du guide-chaîne touche un objet ou quand le bois se rapproche trop près de la chaîne de la scie et la pince dans l'entaille en la retenant. Dans certains cas, le contact avec l'extrémité peut entraîner une brusque réaction inverse en faisant rebondir le guide-chaîne vers l'avant et vers l'arrière en direction de l'utilisateur.

Cette réaction brusque peut vous faire perdre le contrôle de la scie et vous blesser gravement.

Pour éviter d'être surpris par l'effet de rebond et les accidents ou les blessures qu'il peut provoquer, prenez les mesures de précaution suivantes quand vous utilisez la scie à chaîne :

- Maintenez fermement l'outil (main droite sur la poignée arrière et main gauche sur la poignée avant, les deux pouces et les autres doigts autour des poignées respectives) et positionnez le corps et les bras de façon à pouvoir résister aux forces de rebond. Les forces engendrées par l'effet de rebond peuvent être contrôlées par l'utilisateur si les précautions qui s'imposent sont prises. Ne vous laissez pas entraîner par la scie à chaîne.
- Ne vous arc-butez pas et ne sciez pas plus haut qu'à hauteur d'épaule. Ceci aide à mieux prévenir tout contact accidentel de l'extrémité du guide-chaîne et permet de mieux contrôler la scie à chaîne dans les situations imprévues.
- Utilisez uniquement les guides et les chaînes de rechange spécifiés par le fabricant. Le remplacement inapproprié d'un guide ou d'une chaîne peut être à l'origine d'une rupture de la chaîne et/ou d'effets de rebond.
- Suivez les consignes d'affûtage et d'entretien du fabricant de la chaîne de la scie. Si vous réduisez la hauteur de la jauge de profondeur, les effets de rebond peuvent augmenter.
- Observez toujours les règlements de sécurité et suivez les techniques de sciage appropriées.















- Transportez la scie à chaîne en privilégiant la sécurité. Toutes les fois que l'outil doit être manipulé ou transporté, vous devez :
    - couper le moteur et patienter jusqu'à ce que la chaîne s'arrête complètement;
    - replacer la coiffe du guide-chaîne;
    - tenir l'outil par les poignées et orienter le guide-chaîne dans la direction opposée à celle utilisée pendant le sciage.
- Si vous utilisez un véhicule pour transporter la scie à chaîne, attachez-la solidement et positionnez-la pour qu'elle ne présente aucun danger pour les passagers.
- Avant de scier, d'élaguer ou d'ébrancher pour la première fois, assurez-vous que :
    - vous avez été spécifiquement formé pour utiliser ce type de matériel;
    - vous avez lu attentivement les règles de sécurité et les consignes d'utilisation contenues dans ce manuel;
    - vous vous entraînez d'abord sur des bûches posées sur le sol ou attachées à des tréteaux ou à un chevalet de sciage pour vous familiariser avec l'outil et les techniques appropriées de coupe.

## **Protection contre les influences environnementales**

1. Portez des vêtements de travail adaptés. Portez des lunettes de sécurité.
2. Protégez votre outil électrique contre l'humidité et la pluie. L'humidité et la pluie peuvent endommager dangereusement le circuit électrique et le moteur.
3. N'utilisez pas l'outil électrique près de vapeurs ou de liquides inflammables.
4. Utilisez l'outil électrique uniquement dans un milieu sec et à une température ambiante de 10 °C à 40 °C.
5. Rangez le chargeur et votre outil électrique uniquement dans un endroit sec où la température ambiante est de 10 °C à 40 °C. Protégez l'outil électrique contre l'humidité et les rayons du soleil directs.

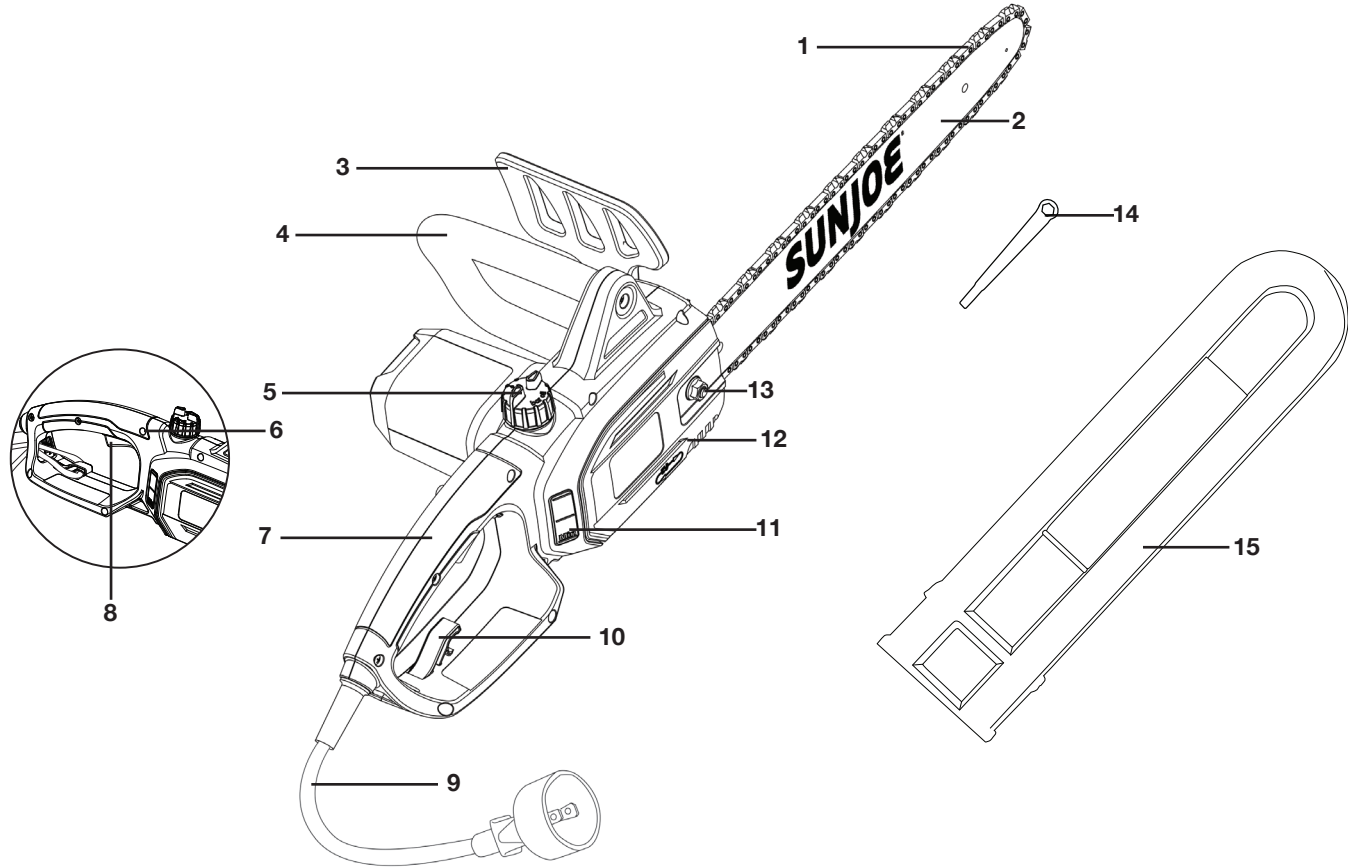
# Symboles de sécurité

Le tableau suivant décrit et explique les symboles de sécurité pouvant être marqués sur cet outil. Lisez, comprenez et suivez toutes les instructions sur l'outil avant d'essayer de procéder à son assemblage et de l'utiliser.

Symboles	Descriptions	Symboles	Descriptions
	<b>LIRE LE OU LES MANUELS D'UTILISATION</b> – Lire, comprendre et suivre toutes les consignes de sécurité du ou des manuels avant d'essayer d'assembler et d'utiliser l'outil.		Maintenir les spectateurs et les enfants à une distance de sécurité suffisante.
	<b>ALERTE DE SÉCURITÉ</b> – Indique une précaution, un avertissement ou un danger.		<b>PORT OBLIGATOIRE DE LUNETTES DE SÉCURITÉ ET DE SERRE-TÊTE ANTIBRUIT</b> – Pour éviter de se blesser, porter des protecteurs d'oreilles et des lunettes de sécurité.
	<b>AVERTISSEMENT!</b> Ne pas utiliser l'outil sous la pluie ou par forte humidité.		Porter des gants de protection et des chaussures antidérapantes pour utiliser l'outil et manipuler les débris.
	<b>DANGER! LAMES ROTATIVES</b> – Tenir les mains et les pieds éloignés des ouvertures quand la scie tourne.		Maillons-gouges orientés dans le bon sens.
	<b>MISE EN GARDE!</b> Éviter de mettre en contact l'extrémité du guide-chaîne avec quoi que ce soit. Le contact de l'extrémité peut forcer le guide-chaîne à se déplacer brusquement vers le haut et vers l'arrière, ce qui peut gravement blesser l'utilisateur.		<b>AVERTISSEMENT!</b> Les deux mains sont absolument nécessaires pour utiliser la scie à chaîne.
	<b>DÉBRANCHER!</b> Retirer le cordon de la prise avant tout nettoyage ou toute vérification d'entretien.		<b>DÉBRANCHER!</b> Retirer immédiatement le cordon de la prise s'il est endommagé ou entaillé.
	La pièce tournante continuera de tourner plusieurs secondes après avoir arrêté l'outil.		Double isolation.

# Apprenez à mieux connaître votre scie à chaîne électrique

Lisez attentivement le manuel de l'utilisateur et les consignes de sécurité avant d'utiliser votre scie à chaîne électrique. Comparez l'illustration ci-dessous avec l'outil réel pour vous familiariser avec l'emplacement des différents réglages et commandes. Conservez ce manuel pour pouvoir vous y reporter dans le futur.



- |                                 |  |
|---------------------------------|--|
| 1. Chaîne coupante 35,6 cm      | 9. Cordon de l'outil                               |
| 2. Guide-chaîne 35,6 cm         | 10. Crochet de retenue de rallonge électrique      |
| 3. Protège-main avant           | 11. Hublot indicateur de niveau d'huile            |
| 4. Poignée avant                | 12. Coiffe arrière de chaîne/pignon                |
| 5. Bouchon de réservoir d'huile | 13. Écrou de coiffe arrière                        |
| 6. Bouton-poussoir de sécurité  | 14. Outil combiné clé Allen/tournevis à lame plate |
| 7. Poignée arrière              | 15. Coiffe protectrice de guide-chaîne             |
| 8. Gâchette                     |  |

## Données techniques

Tension nominale.....	120 V ~ 60 Hz	Contenance du réservoir d'huile .....	120 ml
Puissance .....	9 A	Vitesse de chaîne .....	11,5 m/s
Régime à vide.....	6 300 tr/min	Poids net .....	3,5 kg
Longueur de chaîne/guide-chaîne.....	35,6 cm		
Épaisseur de coupe max. ....	34,3 cm		
	<i>Recommandée : 31,8 cm</i>		

# Déballage

## Contenu de la caisse

- Scie à chaîne électrique
- Chaîne coupante 35,6 cm (déjà montée sur le guide-chaîne)
- Guide-chaîne 35,6 cm
- Outil combiné clé Allen/tournevis à lame plate
- Coiffe protectrice de guide-chaîne
- Manuel et carte d'enregistrement

1. Retirez soigneusement la scie à chaîne de la caisse et inspectez-la pour vérifier que tous les éléments énumérés ci-dessus sont fournis.
2. Inspectez soigneusement le contenu pour vous assurer qu'aucun élément n'a été brisé ou endommagé pendant le transport. Si vous constatez que des pièces manquent ou sont endommagées, NE PAS retourner l'outil au magasin. Veuillez appeler le service clientèle Snow Joe® + Sun Joe® au 1-866-SNOWJOE (1-866-766-9563).

**REMARQUE :** ne jetez pas la caisse d'expédition et l'emballage tant que vous n'êtes pas prêt à utiliser votre nouvelle scie à chaîne électrique. L'emballage est fabriqué dans des matériaux recyclables. Éliminez ces matériaux de façon appropriée et conformément aux réglementations locales.

**IMPORTANT!** Le matériel et l'emballage ne sont pas des jouets. Ne laissez pas les enfants jouer avec les sacs en plastique, les feuilles métalliques ou les petites pièces. Ces éléments peuvent être avalés et présentent un danger de suffocation!

## Assemblage

**⚠️ AVERTISSEMENT!** Toujours porter des gants résistants lors de la manipulation du guide-chaîne et de la chaîne. Pour assurer la sécurité et l'efficacité de l'outil, assembler très minutieusement le guide-chaîne et la chaîne. En cas de doute, communiquer avec un revendeur Snow Joe® + Sun Joe® agréé ou appeler le service clientèle Snow Joe® + Sun Joe® au 1-866-SNOWJOE (1-866-766-9563).

**⚠️ AVERTISSEMENT!** Le déballage et le montage doivent être effectués sur une surface plane et stable, suffisamment d'espace étant prévu pour déplacer l'outil et son emballage.

**⚠️ DANGER!** Ne jamais démarrer le moteur avant de poser le guide-chaîne, la chaîne et le cache-chaîne. Si ces pièces ne sont pas toutes en place, l'embrayage ou le pignon peuvent voler en éclats ou exploser, l'utilisateur pouvant se blesser gravement.

**⚠️ AVERTISSEMENT!** Pour éviter de graves blessures, lire et comprendre toutes les consignes de sécurité fournies.

**⚠️ AVERTISSEMENT!** Avant d'effectuer le moindre entretien, s'assurer que l'outil est débranché de la source d'alimentation électrique. Toute personne ne tenant pas compte de cet avertissement s'expose à de graves blessures.

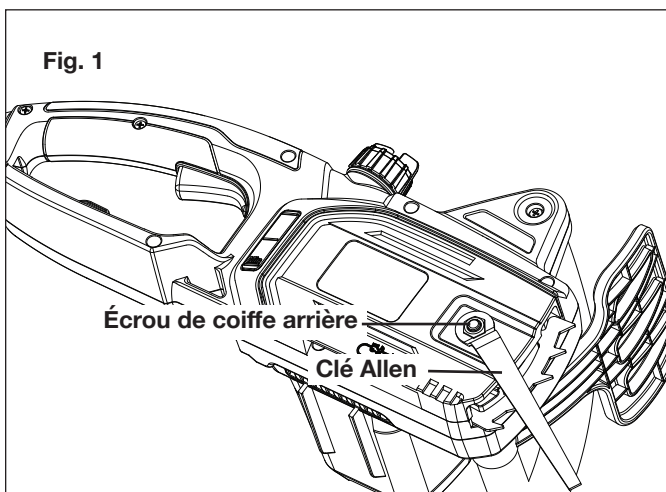
## Pose du guide-chaîne et de la chaîne

Outils et fournitures nécessaires :

- Outil combiné clé Allen/tournevis à lame plate (fourni)
- Gants de travail résistants

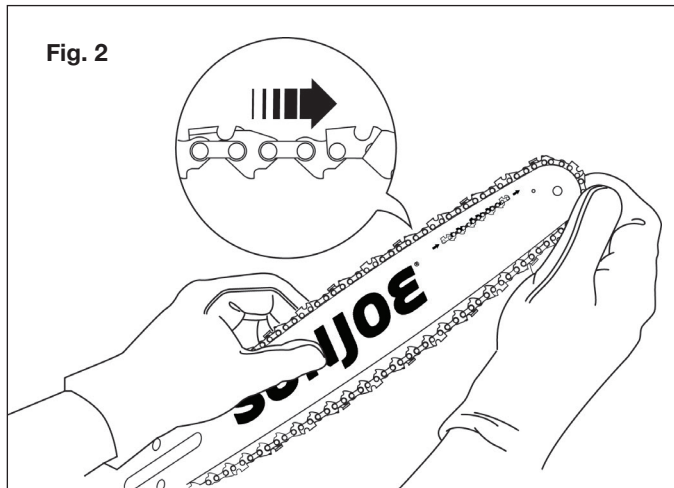
**REMARQUE :** pour le remplacement du guide-chaîne et de la chaîne, utilisez uniquement des pièces de rechange identiques. Avant de procéder à l'opération, assurez-vous que la scie à chaîne est débranchée de la source d'alimentation.

1. Utilisez la clé Allen pour dévisser l'écrou de coiffe arrière et retirez la coiffe arrière de chaîne/pignon (Fig. 1).



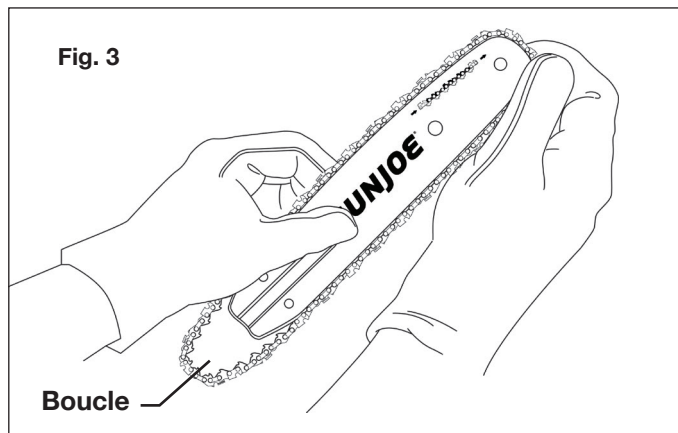
**REMARQUE :** pour pouvoir l'utiliser plus rapidement, quand vous achetez la scie, la chaîne est déjà montée sur le guide-chaîne. Reportez-vous uniquement aux instructions pour ajuster le guide-chaîne (voir l'étape 3). Dans le cas où vous seriez amené à changer la chaîne, suivez toutes les étapes détaillées ci-dessous.

2. Disposez la nouvelle chaîne de la scie de manière à ce qu'elle forme une boucle et en vous assurant qu'elle ne soit pas tordue. **LE CÔTÉ TRANCHANT DE LA DENT NE DOIT PAS VOUS FAIRE FACE ET DOIT ÊTRE DANS LE SENS DE LA ROTATION DE LA CHAÎNE INDIQUÉ SUR LE GUIDE-CHAÎNE.** Si le côté tranchant vous fait face, retournez la boucle (Fig. 2).

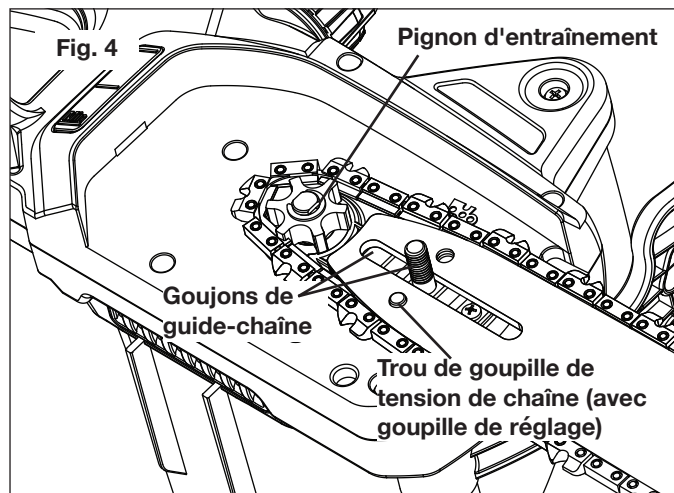


3. En commençant par l'extrémité, montez les maillons d'entraînement de la chaîne dans la rainure du guide en formant une boucle à l'arrière du guide. La chaîne s'ajustera en restant lâche jusqu'à ce qu'elle soit placée sur le pignon (Fig. 3).

**REMARQUE :** vérifiez bien le sens de la chaîne. Si la chaîne est montée à l'envers, la scie vibrera anormalement et ne coupera pas.

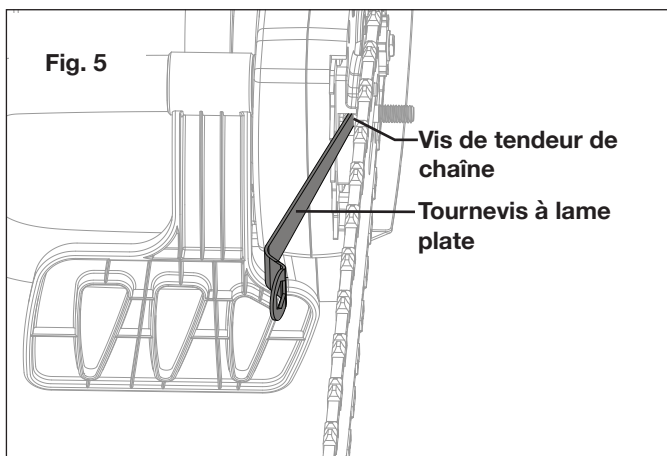


4. Maintenez la chaîne en position sur le guide-chaîne et enroulez la boucle autour du pignon. Placez le guide-chaîne de telle sorte qu'il repose bien contre la surface de fixation et pour que les goujons du guide-chaîne soient dans la longue fente du guide-chaîne et que la goupille de réglage soit dans le trou de la goupille de tension de chaîne (Fig. 4).



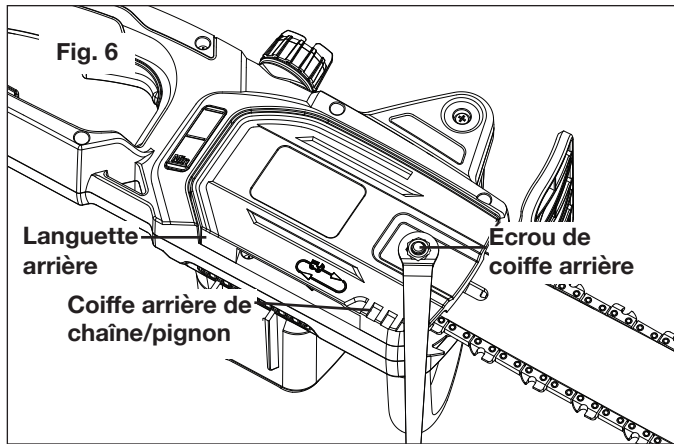
**REMARQUE :** si la goupille de réglage n'atteint pas le trou de goupille de tension de chaîne, tournez la vis de tension de chaîne dans le sens contraire des aiguilles d'une montre jusqu'à ce que le trou de goupille soit aligné avec la goupille de réglage.

5. Tout en maintenant le guide-chaîne et la chaîne de telle sorte qu'ils reposent bien contre la surface de fixation, réglez au besoin la tension de la chaîne en tournant la vis de tendeur de chaîne à l'aide du tournevis à lame plate fourni. Tournez la vis de tendeur de chaîne dans le sens des aiguilles d'une montre pour serrer la chaîne, ou dans le sens contraire des aiguilles d'une montre pour la desserrer (Fig. 5).



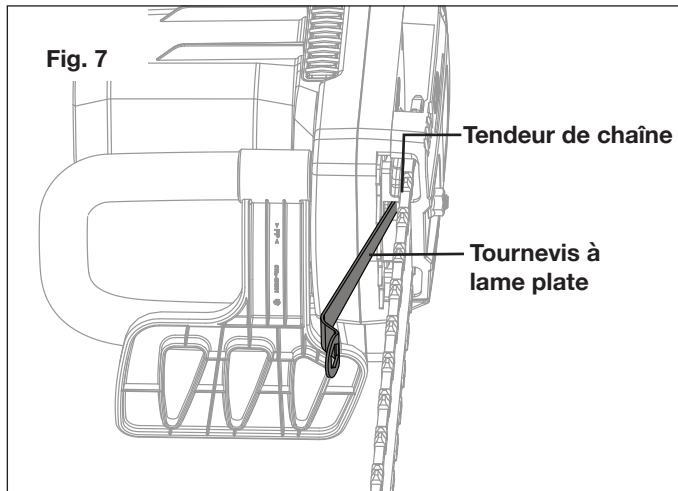
6. Remplacez la coiffe arrière de chaîne/pignon en insérant d'abord la languette arrière dans la fente prévue à cet effet et positionnez la coiffe sur l'extrémité du guide-chaîne. Serrez l'écrou de coiffe arrière; laissez le guide-chaîne suffisamment desserré pour qu'il se déplace légèrement lors du réglage de la tension (Fig 6).





7. Éliminez complètement le jeu de la chaîne en tournant la vis du tendeur de chaîne dans le sens des aiguilles d'une montre jusqu'à ce que la chaîne repose parfaitement contre le guide-chaîne, les maillons d'entraînement étant tous à l'intérieur de la rainure du guide-chaîne (Fig. 7).

**REMARQUE :** la chaîne est correctement tendue quand il n'y a pas de jeu sur la face inférieure du guide-chaîne, quand la chaîne repose bien sur le guide, mais quand il est toujours possible de la faire tourner à la main sans qu'elle grippe. Pour plus de renseignements sur la tension de la chaîne, consultez la section Entretien commençant en page 18.



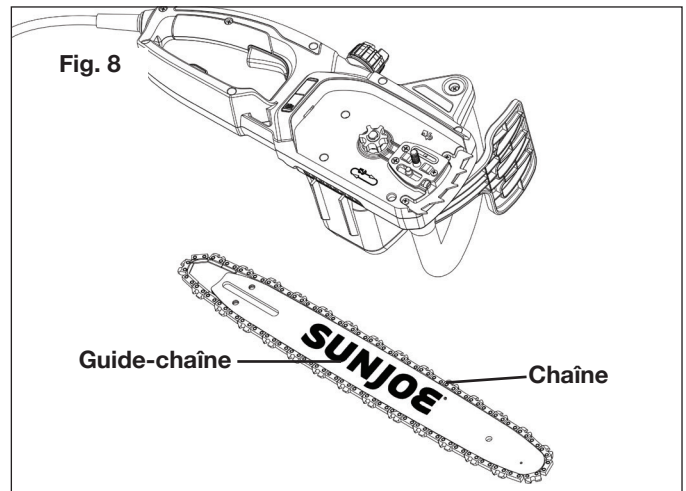
8. Serrez à fond l'écrou de coiffe arrière en utilisant la clé Allen.

**REMARQUE :** si la chaîne est trop serrée, elle ne tournera pas. Desserrez légèrement l'écrou de coiffe arrière et tournez le tendeur de chaîne d'un quart (1/4) de tour dans le sens contraire des aiguilles d'une montre. Levez l'extrémité du guide-chaîne et serrez à nouveau l'écrou de coiffe arrière. Assurez-vous qu'il est possible de faire tourner la chaîne à la main sans qu'elle grippe.

**REMARQUE :** les chaînes neuves ont tendance à s'étirer; vérifiez fréquemment la tension de la chaîne et, au besoin, réglez la tension.

## Remplacement du guide-chaîne et de la chaîne

1. Débranchez la scie à chaîne de la source d'alimentation.
2. Utilisez la clé Allen fournie pour dévisser l'écrou de coiffe arrière et retirez la coiffe arrière de chaîne/pignon (Fig. 1).
3. Retirez le guide-chaîne et la chaîne de la surface de fixation (Fig. 8).



4. Retirez l'ancienne chaîne du guide.
5. Pour disposer et monter correctement la nouvelle chaîne de la scie, suivez les étapes 2 à 6 de la section « Pose de guide-chaîne et de la chaîne » commençant à la page 9.

## Préparation du travail

### Vérification de l'outil

**⚠ AVERTISSEMENT!** Avant d'effectuer des vérifications, des réglages, des réparations ou un entretien quelconques sur l'outil, s'assurer qu'il est débranché de la source d'alimentation.

Avant de démarrer votre travail, veuillez :

- vérifier que toutes les vis sur l'outil et sur le guide-chaîne sont bien serrées;
- vérifier que la chaîne est correctement tendue, bien affûtée et qu'elle ne présente aucun signe d'endommagement;
- vérifier que les poignées et les dispositifs de protection sont propres et secs, correctement montés et solidement attachés à l'outil;
- vérifier que la gâchette et le bouton-poussoir de sécurité se déplacent librement sans forcer et qu'ils retournent automatiquement et rapidement au point mort;
- vérifier que la gâchette reste verrouillée tant qu'on n'appuie pas sur le bouton-poussoir de sécurité;
- vous assurer que les ouvertures d'aération ne sont pas obstruées par de la sciure ou des débris;

- vérifier que le niveau d'huile de la chaîne n'est pas en dessous de la marque de niveau « MIN ». Rajoutez au besoin de l'huile jusqu'à 1 cm du bord de l'orifice de remplissage.

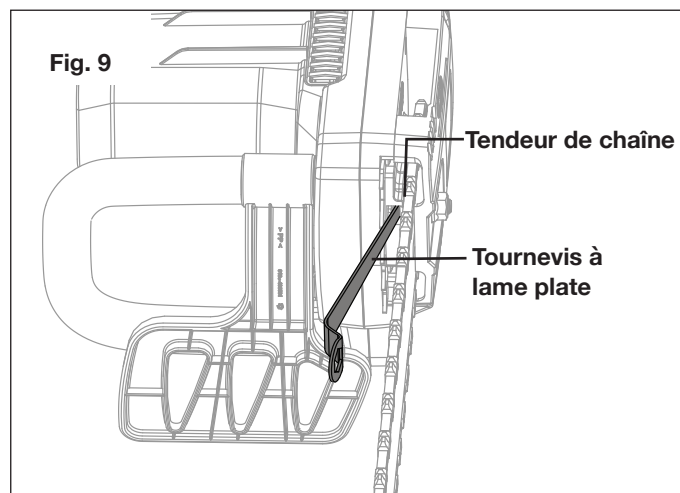
**REMARQUE :** avant d'utiliser votre scie à chaîne, vous devez remplir le réservoir d'huile de chaîne avec de l'huile pour guide-chaîne et chaîne.

## Réglage de la tension de chaîne

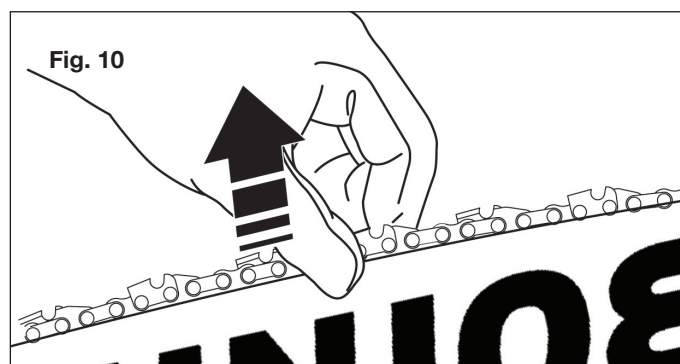
**⚠️ AVERTISSEMENT!** Avant d'effectuer des vérifications, des réglages, des réparations ou un entretien quelconques sur l'outil, s'assurer qu'il est débranché de la source d'alimentation.

**⚠️ MISE EN GARDE!** La chaîne continuera de tourner plusieurs secondes après avoir arrêté l'outil.

1. Desserrez l'écrou de coiffe arrière jusqu'à ce que vous puissiez le desserrer à la main. Pour tendre la chaîne, utilisez le tournevis à lame plate et tournez la vis du tendeur de chaîne dans le sens des aiguilles d'une montre. Une chaîne froide sera correctement tendue s'il n'y a pas de jeu sur la face inférieure du guide-chaîne, si la chaîne repose bien sur le guide-chaîne et si on peut toujours la faire tourner à la main sans qu'elle grippe (Fig 9).



2. La tension est la bonne quand les maillons d'entraînement sur la chaîne ne glissent pas hors des guides de chaîne sur le guide-chaîne quand on tire la chaîne au milieu du guide-chaîne (Fig. 10).



## Lubrifiant de chaîne

**⚠️ MISE EN GARDE!** Le manque de lubrification de la chaîne endommagera la chaîne et son guide. Utiliser une huile de bonne qualité pour guide-chaîne et chaîne spécifiquement conçue pour les scies à chaîne. L'huile pour guide-chaîne et chaîne peut s'acheter dans une quincaillerie locale ou en ligne sur le site sunjoe.com.

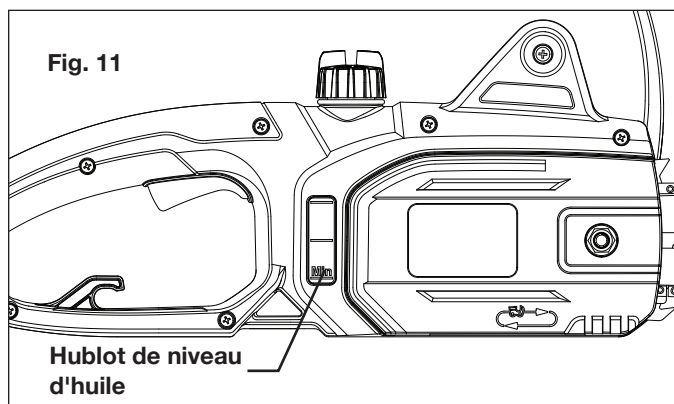
**REMARQUE :** il est normal que de l'huile suinte de la scie quand on ne l'utilise pas. Pour empêcher les suintements, videz le réservoir d'huile après chaque utilisation. Quand vous remisez l'outil pendant une période prolongée (3 mois ou plus), assurez-vous que la chaîne soit légèrement lubrifiée. Ceci empêchera la chaîne et le pignon du guide-chaîne de rouiller.

**⚠️ AVERTISSEMENT!** Ne pas utiliser la scie à chaîne avec n'importe quel type d'accessoire. L'utilisation d'un accessoire non adapté peut être dangereuse.

## Utilisation

### Démarrage de l'outil

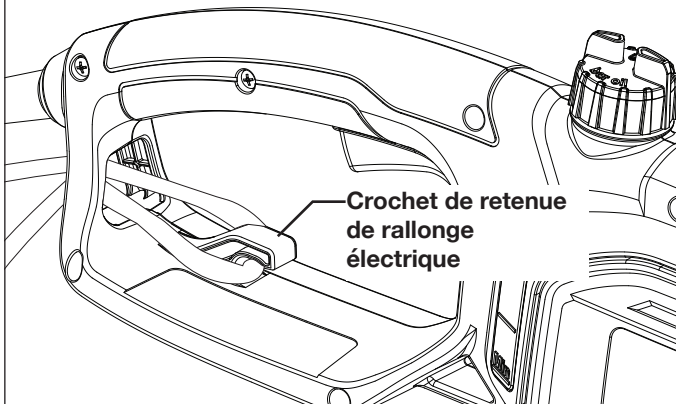
Avant de démarrer la scie à chaîne, retirez le bouchon du réservoir d'huile et ajoutez de l'huile pour guide-chaîne et chaîne jusqu'à la partie supérieure du hublot de niveau d'huile (Fig 11). Une minute d'utilisation consommera environ 6 ml (0,2 oz liq) d'huile. Ajoutez de l'huile quand le niveau d'huile est au quart (1/4) de la contenance du réservoir.



**REMARQUE :** votre scie à chaîne électrique est équipée d'une pompe à huile automatique pour la lubrification du guide-chaîne et de la chaîne. Pour que votre scie à chaîne fonctionne, vous devez ajouter de l'huile pour chaîne et guide-chaîne.

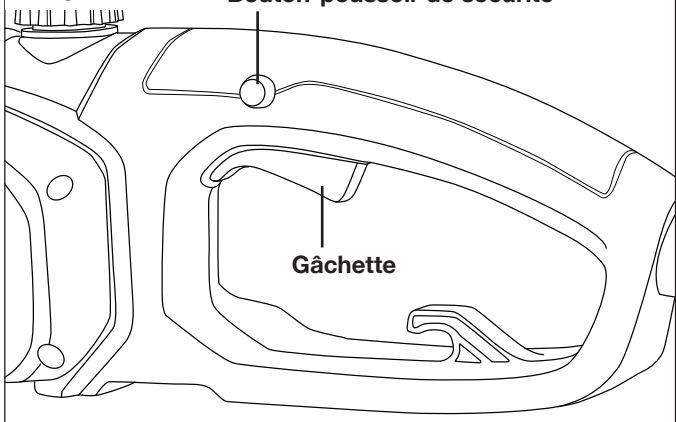
1. Branchez la scie à chaîne électrique sur une prise 120 V à l'aide d'une rallonge électrique ultra-robuste pour l'extérieur.
2. Faites une boucle avec le cordon d'alimentation, poussez-la à travers le trou dans le manche et faites-la passer autour du crochet de retenue (Fig. 12), puis branchez la rallonge électrique dans le cordon de l'outil.

Fig. 12



3. Assurez-vous que le guide-chaîne ne touche ni le sol ni quoi que ce soit.
4. Tenez la scie à chaîne des deux mains et fermement.
5. Pour mettre en marche l'outil, appuyez sur le bouton-poussoir de sécurité en le maintenant enfoncé à l'aide du pouce et pressez ensuite la gâchette avec les doigts. Une fois que l'outil a démarré, vous pouvez relâcher le bouton-poussoir de sécurité (Fig. 13).

Fig. 13



6. Pour arrêter l'outil, relâchez la gâchette (Fig 13).

**REMARQUE :** ne pressez pas la gâchette tant que vous n'êtes pas prêt à scier.

## Conseils d'utilisation

**⚠ AVERTISSEMENT!** Pour votre sécurité et celle des autres :

1. Ne pas utiliser l'outil sans lire attentivement les instructions. Bien se familiariser avec les commandes et l'utilisation appropriée de l'outil. Apprendre comment arrêter rapidement l'outil.
2. Garder à l'esprit que l'utilisateur de l'outil est responsable des accidents dont d'autres personnes peuvent être victimes ou des dangers auxquels sont exposés ces personnes ou leurs biens.

3. Pour utiliser l'outil, toujours porter des vêtements adaptés. Porter des gants antivibrations et d'autres équipements de protection individuelle.

**REMARQUE :** les précautions à prendre mentionnées ci-dessus ne suffisent pas toutefois pour prévenir certains risques, par exemple le syndrome de Raynaud ou le syndrome du canal carpien. Il est recommandé que les personnes qui utilisent cet outil pendant de longues périodes se fassent examiner régulièrement les mains et les doigts. Dans le cas où l'un des syndromes mentionnés ci-dessus viendrait à se manifester, veuillez consulter immédiatement un médecin.

4. Travailler à la lumière du jour ou sous un bon éclairage artificiel.
5. Faire preuve d'une extrême prudence quand on travaille à proximité de clôtures en métal.
6. Veiller à ce que des corps étrangers ou des débris volant sous l'effet du mouvement de la chaîne ne viennent pas heurter le guide-chaîne.
7. Ne pas utiliser la scie à chaîne dans un arbre, sur une échelle ou sur un échafaudage. Ceci est extrêmement dangereux.
8. Faire preuve d'extrêmes précautions quand vous sciez de petits buissons, des arbustes ou des branches sous tension. La matière effilée et tendue peut se prendre dans la scie et se retourner en coup de fouet sur vous en vous faisant perdre l'équilibre ou sauter en arrière.
9. Ne pas tailler de la vigne et/ou de petits fourrés.
10. Avant de démarrer la scie à chaîne, s'assurer qu'elle n'est pas en contact avec quoi que ce soit.

**⚠ MISE EN GARDE!** Quand le moteur de la scie à chaîne est coupé, la chaîne ralentit progressivement. Ne pas utiliser l'outil par forte humidité.

**IMPORTANT!** Toujours se souvenir qu'une scie à chaîne utilisée de façon inappropriée peut blesser ou déranger d'autres personnes et gravement perturber l'environnement.

Pour respecter les personnes et l'environnement :

- Évitez d'utiliser l'outil dans des lieux ou à des heures de la journée où d'autres personnes pourraient être dérangées.
- Conformez-vous scrupuleusement aux réglementations et dispositions locales pour l'élimination des déchets après vos travaux de sciage.
- Conformez-vous scrupuleusement aux réglementations et dispositions locales pour l'élimination des huiles, des pièces endommagées ou de tout ce qui pourrait polluer l'environnement.
- Une certaine quantité d'huile de graissage pour chaîne se répand dans la nature quand l'outil tourne; c'est pourquoi il faut utiliser uniquement des huiles biodégradables spécifiquement conçues pour ce type d'utilisation.
- Pour éviter tout risque d'incendie, ne laissez pas l'outil sur des feuilles ou de l'herbe sèche quand le moteur est encore chaud.

**⚠️ AVERTISSEMENT!** Une exposition prolongée à des vibrations peut être à l'origine de blessures ou de troubles vasculonerveux (connus également sous le nom de « syndrome de Raynaud » ou « syndrome des doigts blancs »), spécialement chez les personnes souffrant de troubles de la circulation. Les symptômes peuvent affecter les mains, les poignets et les doigts et se manifester par une perte de sensibilité, une certaine léthargie, des démangeaisons, des douleurs, une décoloration ou des changements visibles de la peau. Ces effets peuvent empirer quand la température ambiante est basse et/ou quand on serre trop les poignées de l'outil. En cas de symptômes, il faut réduire la durée d'utilisation de l'outil et consulter un médecin.

## Vérifications à effectuer pendant l'utilisation de l'outil

### • Vérification de la tension de la chaîne

La chaîne a tendance à s'étirer progressivement quand vous utilisez l'outil et il vous faut donc vérifier fréquemment sa tension.

**IMPORTANT!** Pendant la première période d'utilisation (ou après avoir remplacé la chaîne), la chaîne se met en place et sa tension doit être vérifiée plus fréquemment.

**⚠️ AVERTISSEMENT!** Ne jamais utiliser l'outil quand la chaîne est mal tendue. Ceci peut être dangereux si la chaîne glisse hors de ses guides.

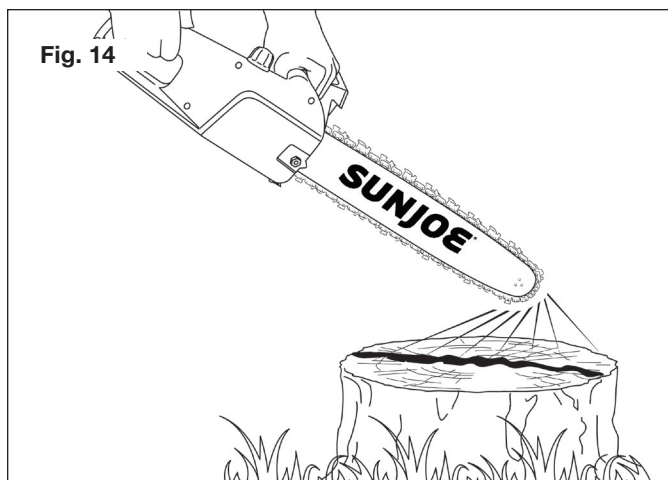
Pour régler la tension de la chaîne, suivez les instructions dans « Réglage de la tension de chaîne », page 12.

### • Vérification du niveau d'huile

**IMPORTANT!** N'utilisez jamais l'outil sans lubrification suffisante! Vous pouvez vérifier le niveau d'huile dans le réservoir à travers le petit hublot. N'oubliez pas de faire le niveau d'huile à chaque fois que vous utilisez l'outil. Pour obtenir de meilleurs résultats, utilisez uniquement une huile de bonne qualité pour guide-chaîne et chaîne conçue spécifiquement pour les scies à chaîne.

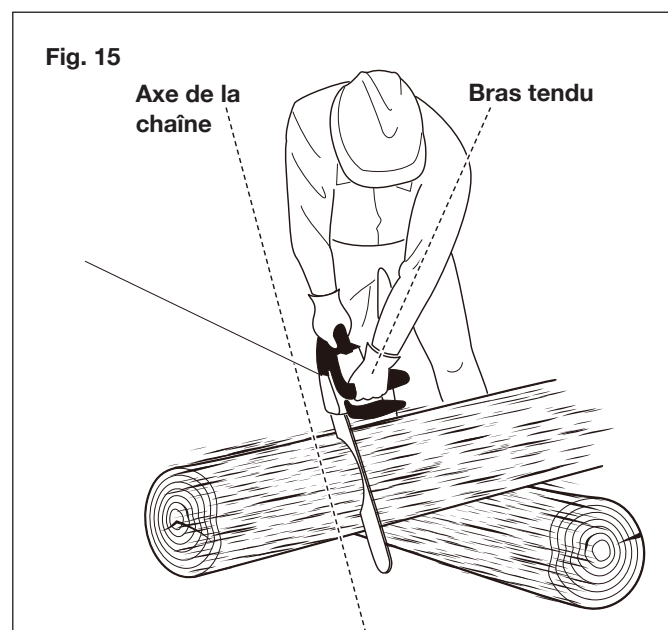
**⚠️ AVERTISSEMENT!** Avant de vérifier le niveau d'huile, s'assurer que le guide-chaîne et la chaîne sont en place.

Démarrez le moteur et vérifiez si la chaîne est bien lubrifiée comme cela est illustré ci-dessous (Fig. 14).



## Posture appropriée pour le sciage

1. Répartissez votre poids sur les deux pieds, debout sur un sol stable.
2. Pour résister à toute force engendrée par l'effet de rebond, maintenez constamment le bras gauche et le coude de telle sorte que le bras soit « tendu » (Fig. 15).



3. Votre corps doit toujours être à gauche de l'axe de la chaîne.

## Procédures élémentaires de sciage

1. Les petits arbres de 15 à 18 cm de diamètre se scient habituellement en une seule fois. L'entaille pratiquée détermine la direction dans laquelle l'arbre va tomber.

**⚠️ AVERTISSEMENT!** Si l'arbre commence à tomber dans la mauvaise direction, ou si la scie se prend dans l'arbre ou y reste suspendue pendant la chute, lâcher la scie et courir se mettre à l'abri.

**⚠️ AVERTISSEMENT!** Pendant le sciage du trait d'abattage, jeter un coup d'œil périodiquement vers le sommet de l'arbre pour s'assurer que l'arbre tombera bien dans la direction souhaitée.

2. Avant d'entamer des travaux de sciage majeurs, entraînez-vous à couper de petites branches en utilisant les techniques suivantes pour mieux sentir la scie.
3. Prenez la posture appropriée en vous plaçant devant l'arbre, la scie étant arrêtée.
4. Avant d'effectuer une entaille, pressez la gâchette et laissez la chaîne tourner jusqu'à ce qu'elle atteigne sa vitesse maximale.
5. Tenez la scie fermement des deux mains. Pour que votre corps soit à gauche de l'axe de la chaîne, placez toujours la main gauche sur la poignée avant et la main droite sur la poignée arrière.
6. Laissez la chaîne tourner pendant toute la durée du sciage; maintenez une vitesse régulière.
7. Laissez la chaîne scier pour vous; exercez uniquement une légère pression vers le bas. Si vous forcez le sciage, le guide-chaîne, la chaîne, voire même l'outil, peuvent être endommagés.
8. N'exercez aucune pression sur la scie à la fin du sciage.
9. Pour éviter de tomber, sciez en ayant toujours les deux pieds sur un sol stable.
10. Ne sciez pas plus haut qu'à hauteur de poitrine, car il est difficile de contrôler les forces engendrées par l'effet de rebond en tenant la scie en hauteur.

## Techniques de sciage

Avant d'abattre ou d'ébrancher pour la première fois, entraînez-vous à scier des bûches posées sur le sol ou sur des tréteaux et familiarisez-vous avec l'outil et avec les techniques de sciage les mieux adaptées. Quand vous abattez un arbre, maintenez tout le monde à bonne distance de la zone de travail. La distance la plus sûre devrait correspondre au moins à deux fois la hauteur des arbres les plus hauts dans la zone d'abattage.

**⚠️ AVERTISSEMENT!** Toujours tenir l'outil des deux mains pendant le sciage.

**⚠️ AVERTISSEMENT!** Arrêter immédiatement le moteur si la chaîne s'arrête pendant que vous sciez. Faire attention aux effets de rebond qui se produisent si le guide-chaîne rencontre un obstacle.

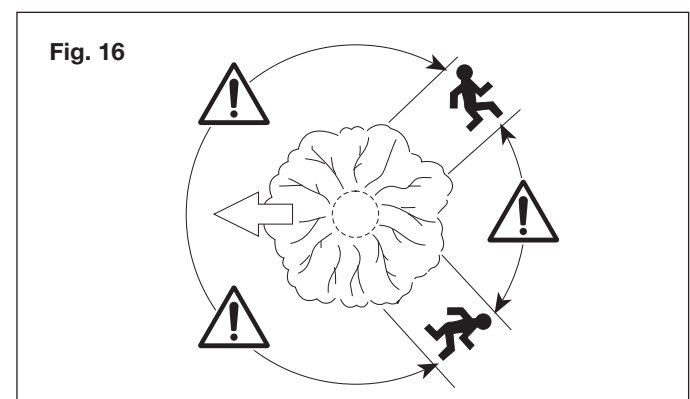
### • Abattage d'arbre

- I) Quand le tronçonnage et l'abattage sont effectués par deux ou plusieurs personnes en même temps, l'opération d'abattage doit se faire à une distance d'au moins deux fois la hauteur de l'arbre à abattre de l'endroit où se fait l'opération de tronçonnage. Les arbres doivent être abattus en veillant à ce qu'ils ne mettent en danger aucune personne, qu'ils ne heurtent aucun câble de

service public ou qu'ils ne causent aucun dommage matériel. Si un arbre entre en contact avec un câble de service public, la compagnie concernée doit être immédiatement avertie.

**⚠️ AVERTISSEMENT!** Inspecter les arbres pour vérifier qu'il n'y a aucune branche morte ou endommagée qui pourrait tomber sur vous pendant le processus d'abattage.

- II) L'utilisateur de la scie à chaîne doit rester du côté amont par rapport à l'arbre, car celui-ci est susceptible de rouler ou de glisser dans le sens de la pente une fois abattu.
- III) Prévoyez un chemin de retraite et dégagez-le avant de commencer à travailler. Le chemin de retraite doit permettre de s'éloigner par l'arrière et diagonalement par rapport à la ligne où il est prévu que l'arbre tombe, comme cela est illustré (Fig. 16).



- IV) Avant que l'opération d'abattage démarre et pour vous aider à mieux estimer le côté où l'arbre s'abattrait, tenez compte de l'inclinaison naturelle de l'arbre, de l'emplacement des branches les plus grosses et de la direction du vent.

**⚠️ AVERTISSEMENT!** Ne pas abattre d'arbres pendant les périodes de grand vent ou de fortes précipitations. Attendre que les conditions météo soient favorables à l'abattage.

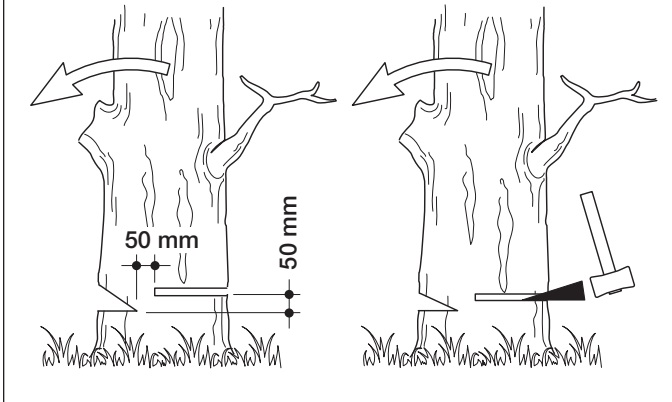
**⚠️ AVERTISSEMENT!** Ne pas abattre d'arbres penchant de façon extrême ou de grands arbres ayant des branches pourries, de l'écorce prête à se détacher ou des troncs creux. Pousser ou tirer ces arbres à l'aide d'un matériel lourd et les scier ensuite.

- V) Retirez de l'arbre la pourriture, les pierres, l'écorce prête à se détacher, les clous, les agrafes et le fil métallique.

### • Sifflet d'abattage

Pratiquez une entaille sur 1/3 du diamètre de l'arbre et perpendiculairement au sens de la chute, comme cela est illustré (Fig. 17).

Fig. 17



Pratiquez d'abord l'entaille d'abattage horizontale inférieure. Ceci évitera le pincement de la chaîne ou du guide-chaîne quand la seconde entaille sera pratiquée.

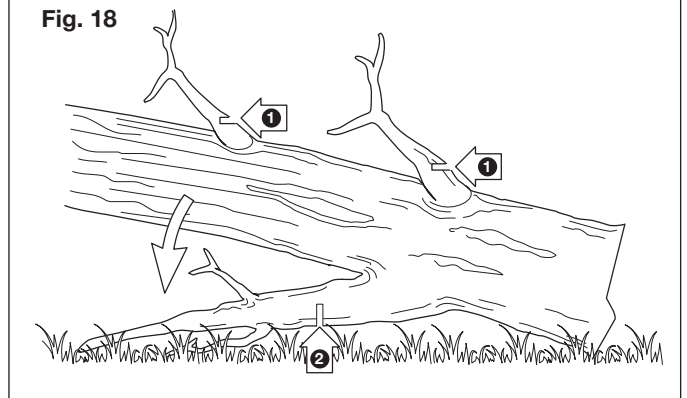
- **Trait d'abattage**

- I) Pratiquez le trait d'abattage au moins à 50 mm au-dessus de l'entaille d'abattage horizontale, comme cela est illustré (Fig. 18). Faites en sorte que le trait d'abattage soit parallèle au sifflet d'abattage horizontal. Positionnez intelligemment le trait d'abattage de telle sorte qu'il y ait suffisamment de bois pour jouer le rôle de charnière. La charnière de bois empêche l'arbre de vriller et de tomber dans la mauvaise direction. N'entamez pas complètement la charnière.
- II) Quand le trait d'abattage sera suffisamment proche de la charnière, l'arbre commencera à tomber. S'il y a la moindre chance que l'arbre ne tombe pas dans la direction souhaitée, ou qu'il se balance vers l'arrière et fasse gripper la chaîne de la scie, arrêtez de scier avant que le trait d'abattage soit achevé et utilisez des cales en bois, en plastique ou en aluminium pour ouvrir l'entaille et faire tomber l'arbre dans la direction souhaitée.
- III) Quand l'arbre commence à tomber, retirez la scie à chaîne de l'entaille, arrêtez le moteur, posez la scie à chaîne, puis utilisez le chemin de retraite prévu. Soyez vigilant, faites attention aux branchages en hauteur et veillez à ne pas perdre l'équilibre.

- **Ébranchage d'arbre**

L'ébranchage est un processus qui consiste à élaguer les branches d'un arbre abattu. Quand vous ébranchez, laissez les grosses branches les plus basses pour qu'elles soutiennent la grume au-dessus du sol. Retirez les petites branches en pratiquant une seule entaille comme cela est illustré (Fig. 18). Les branches sous tension doivent être coupées depuis le bas et vers le haut pour éviter que la scie à chaîne se grippe.

Fig. 18



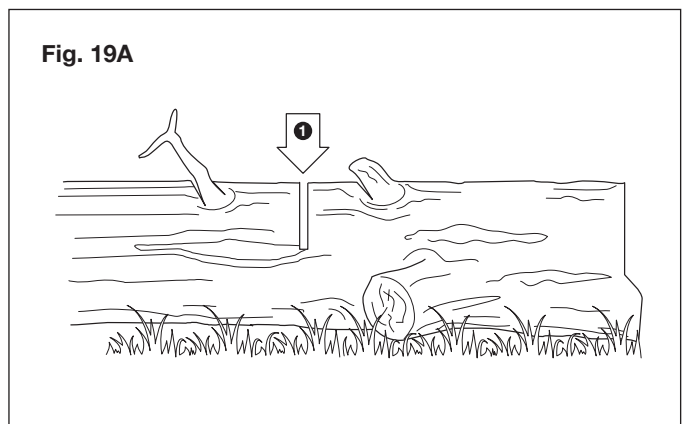
**AVERTISSEMENT!** Faire spécialement attention aux branches reposant sur le sol et tenir compte des dangers suivants : 1) les branches peuvent être sous tension; 2) la direction dans laquelle la branche tombe peut différer de celle anticipée; 3) l'arbre peut être instable une fois que la branche a été sciée.

- **Tronçonnage d'une grume**

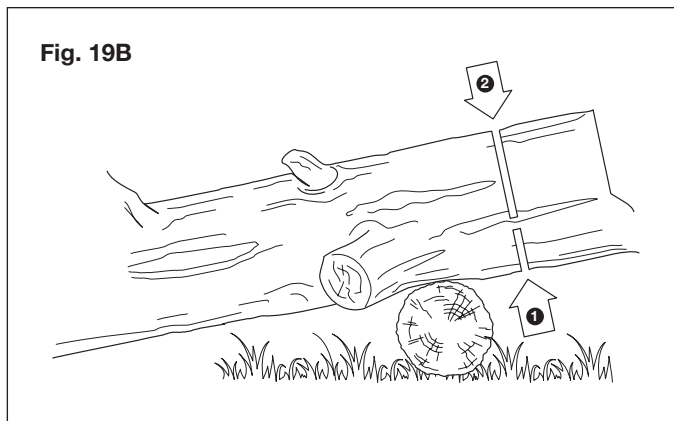
Le tronçonnage est le processus au cours duquel une grume est sciée en pièces. Il est important d'avoir un bon équilibre et de bien répartir son poids sur les deux pieds. Au besoin, la grume doit être soulevée et soutenue au moyen de branches, de bûches ou de cales. Suivez ces simples indications pour un tronçonnage facile :

- I) Quand la grume est soutenue sur toute sa longueur comme cela est illustré (Fig. 19A), elle est tronçonnée depuis le dessus (ébranche par dessus).

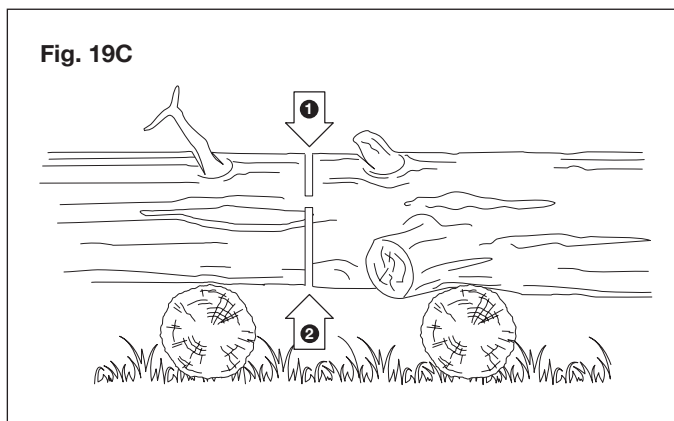
Fig. 19A



- II) Quand la grume est soutenue à une seule extrémité (Fig. 19B), pratiquez une entaille sur 1/3 du diamètre depuis le dessous (ébranche par dessous). Tronçonnez ensuite par le dessus en faisant coïncider les deux traits de scie.

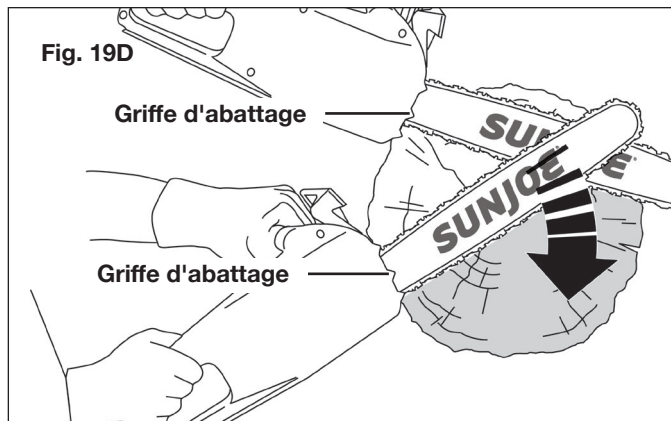


III) Quand la grume est soutenue aux deux extrémités (Fig. 19C), pratiquez une entaille sur 1/3 du diamètre depuis le dessus (ébranche par dessus). Tronçonnez ensuite par le dessous sur les 2/3 restants en faisant coïncider les deux traits de scie.



IV) Il est plus facile de scier une grume en utilisant la griffe d'abattage (Fig. 19D).

- Enfoncez la griffe d'abattage dans la grume et utilisez-la comme pivot. Sciez en faisant un mouvement d'arc pour faire pénétrer le guide-chaîne dans le bois.
- Répétez au besoin plusieurs fois en changeant le point où vous avez planté la griffe d'abattage.
- Si vous tronçonnez sur une pente, tenez-vous toujours du côté amont de la grume (Fig. 20). Quand vous sciez à travers la grume, maintenez le contrôle en relâchant la pression que vous exercez près de l'extrémité de l'entaille sans pour autant relâcher votre prise sur les poignées de la scie à chaîne. Ne laissez pas la chaîne entrer en contact avec le sol.



Une fois que la coupe est achevée, attendez que la chaîne de la scie s'arrête avant de déplacer la scie à chaîne. Arrêtez toujours le moteur quand vous vous déplacez d'arbre en arbre.



## Finir le travail

Quand vous avez fini votre travail :

- Arrêtez le moteur et débranchez l'outil de la source d'alimentation électrique.
- Attendez que la chaîne s'arrête et laissez l'outil se refroidir.
- Retirez toutes les traces de sciure et les dépôts d'huile de la chaîne.
- S'il y a une accumulation excessive de poussière ou de résine, démontez la chaîne et placez-la dans un récipient contenant un produit nettoyant adapté. Rincez-la ensuite à l'eau propre et vaporisez dessus un produit anticorrosif adapté avant de la remonter sur l'outil.
- Avant de ranger l'outil, remettez la coiffe de protection du guide-chaîne sur le guide-chaîne.

**⚠ AVERTISSEMENT!** Laisser le moteur se refroidir complètement avant de ranger la scie à chaîne dans une enceinte close.

Pour réduire tout risque d'incendie, nettoyez soigneusement l'outil pour retirer la sciure, les branches, les feuilles et l'excès de graisse. Ne laissez jamais de récipients contenant des débris de coupe à l'intérieur de la zone de remisage.

## Entretien

Pour toutes les opérations d'entretien non prévues dans ce manuel, veuillez communiquer avec un revendeur Snow Joe® + Sun Joe® agréé ou appeler le service clientèle Snow Joe® + Sun Joe® au 1-866-SNOWJOE (1-866-766-9563). Toute intervention effectuée par un centre d'entretien et de réparation non agréé ou par du personnel non qualifié annulera complètement la garantie.

**⚠ AVERTISSEMENT!** Pour votre sécurité et celle des autres :

- Il est essentiel d'entretenir correctement l'outil pour qu'il conserve son efficacité et sa sécurité d'origine au fil du temps.
- Maintenir serrés les écrous, les boulons et les vis pour s'assurer que le matériel soit en bon état de marche et puisse être utilisé sans danger.
- Ne jamais utiliser l'outil si des pièces sont usées ou endommagées. Les pièces endommagées doivent être remplacées et jamais réparées.
- Utiliser uniquement des pièces de rechange d'origine Snow Joe® + Sun Joe®. Les pièces qui ne sont pas de la même qualité peuvent gravement endommager le matériel, compromettre la sécurité et annuler la garantie.

**⚠ AVERTISSEMENT!** Toujours débrancher de la source d'alimentation avant d'effectuer un réglage quelconque, de l'entretien ou des réparations sur la scie à chaîne.

- Portez des gants de protection quand vous manipulez le guide-chaîne ou la chaîne.
- Laissez sur l'outil la coiffe de protection du guide-chaîne, sauf quand vous intervenez directement sur le guide-chaîne ou sur la chaîne.
- N'éliminez jamais de l'huile ou d'autres matières polluantes dans les endroits où cela n'est pas autorisé.

## Refroidissement du moteur

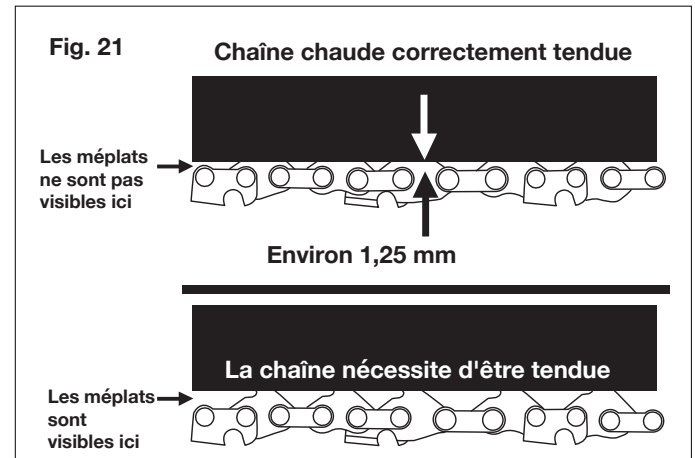
Pour éviter que le moteur surchauffe et soit endommagé, maintenez toujours les ouvertures d'aération propres et exemptes de sciure et de débris.

## Tension de chaîne

Vérifiez la tension de la chaîne avant d'utiliser la scie, quand la chaîne est froide. La tension d'une chaîne froide est correcte quand il n'y a pas de jeu sur la face inférieure du guide-chaîne, quand la chaîne repose bien sur le guide, mais quand il est toujours possible de la faire tourner à la main sans qu'elle gripe.

Quand la chaîne est utilisée normalement, sa température augmente. Les maillons d'entraînement d'une chaîne qui est chaude et correctement tendue pendent en ressortant d'environ 1,25 mm de la rainure du guide-chaîne (Fig. 21).

Sachez qu'une chaîne bien tendue quand elle est chaude peut se tendre excessivement en se refroidissant. Vérifiez la tension « à froid » avant l'utilisation suivante. La chaîne doit être de nouveau tendue toutes les fois que les méplats sur les maillons d'entraînement pendent en ressortant de la rainure du guide-chaîne (Fig. 21).



**REMARQUE :** une chaîne neuve a tendance à s'étirer. Vérifiez fréquemment la tension de la chaîne et, au besoin, tendez-la à nouveau.

## Écrous et vis

Vérifiez périodiquement que les écrous et les vis sont bien serrés et que les poignées sont solidement attachées.

## Affutage de chaîne

**⚠ AVERTISSEMENT!** Pour être certain que la scie à chaîne fonctionne efficacement et sans danger, il est essentiel que les composants de coupe soient bien affûtés. **Il est vivement recommandé de remplacer la chaîne une fois qu'elle ne peut plus couper proprement et sans danger.** Il est toutefois possible d'aiguiser la chaîne existante si l'affutage est effectué soigneusement. Tout travail sur la chaîne et le guide-chaîne nécessite de l'expérience et des outils spéciaux. Par mesure de sécurité, nous vous recommandons de communiquer avec un revendeur Snow Joe® + Sun Joe® agréé ou d'appeler le service clientèle Snow Joe® + Sun Joe® au 1-866-SNOWJOE (1-866-766-9563).

L'affutage est nécessaire quand :

- La sciure a l'apparence de poussière.
- Il devient de plus en plus difficile de couper.
- La coupe n'est pas franche.
- Les vibrations augmentent.

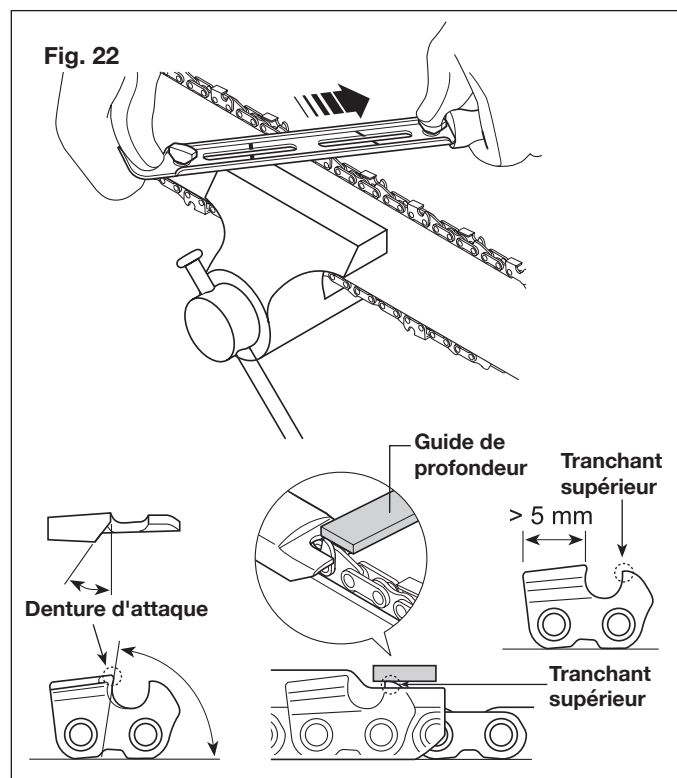
Le centre d'entretien et de réparation agréé affutera la chaîne en utilisant les bons outils pour que le minimum de composants soit déposé et que tous les tranchants soient affûtés uniformément.



Si vous affutez vous-même la chaîne, utilisez une lime spéciale à section ronde ayant un diamètre de 4 mm. Vous devez avoir des compétences et une expérience suffisantes pour éviter d'endommager les tranchants.

Affutez la chaîne comme suit (Fig. 22) :

- Attachez solidement le guide-chaîne dans un étau adapté, la chaîne étant montée dessus.
- Tendez la chaîne si elle est lâche.
- Montez la lime dans le guide et insérez-la ensuite dans la gouge en formant un angle constant avec le tranchant.
- Limez en effectuant plusieurs fois un mouvement vers l'avant et répétez l'opération sur tous les tranchants faisant face dans la même direction (droite ou gauche).
- Utilisez un tournevis pour faire avancer la chaîne.
- Retournez le guide-chaîne dans l'étau et répétez l'opération pour tous les autres tranchants.
- Vérifiez que le tranchant supérieur ne ressort pas davantage par rapport au niveau du guide de profondeur et limez tout ce qui dépasse à l'aide d'une lime plate en affutant le tranchant (Fig. 22).
- Après l'affutage, éliminez toutes les traces de limage et de poussière, puis plongez la chaîne dans un bain d'huile pour la lubrifier. Remplacez la chaîne toutes les fois que :
  - la longueur des tranchants se réduit à 5 mm ou moins;
  - il y a trop de jeu entre les maillons et les rivets.



## Entretien du guide-chaîne

Quand le guide-chaîne présente des signes d'usure, retournez-le sur la scie pour répartir l'usure et prolonger sa durée de vie. L'amincissement ou la formation de bavures sur les rails du guide-chaîne est une usure normale. Vous devez limer ce type de défauts dès leur apparition.

Remplacez le guide-chaîne quand il présente les défauts suivants :

- usure intérieure des rails du guide-chaîne laissant la chaîne se déporter sur les côtés;
- guide-chaîne voilé;
- rails fissurés ou cassés;
- rails écartés.

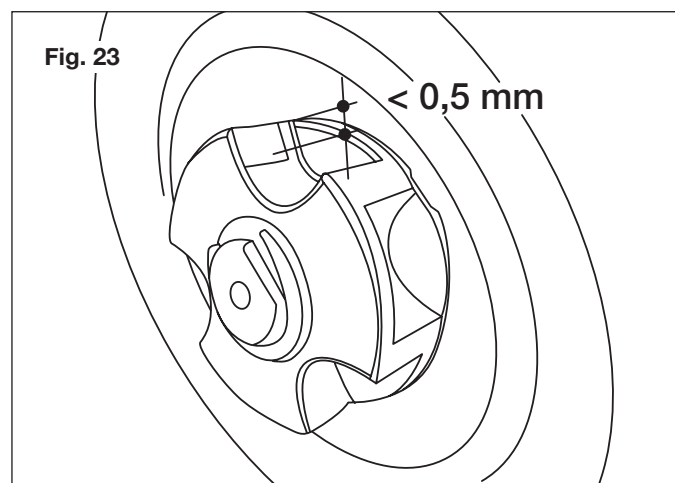
Retournez la scie, vérifiez le dessous du guide-chaîne et assurez-vous que les trous de lubrification et la rainure de chaîne sont exempts de toute impureté.

Vous pouvez acheter des pièces de rechange pour votre scie à chaîne électrique Sun Joe® SWJ599E en passant votre commande en ligne sur le site [sunjoe.com](http://sunjoe.com), ou par téléphone en appelant le service clientèle Snow Joe® + Sun Joe® au 1-866-SNOWJOE (1-866-766-9563).

## Pignon d'entraînement

Vérifiez régulièrement l'état du pignon et remplacez-le quand il est usé sur plus de 0,5 mm (Fig. 23).

Ne montez pas une chaîne neuve quand le pignon est usé ou vice-versa.



## Remisage

À chaque fois que vous avez fini d'utiliser l'outil, nettoyez-le soigneusement pour retirer toute la poussière et les débris et glissez la coiffe de protection du guide-chaîne sur le guide-chaîne. Réparez ou remplacez toutes les pièces défectueuses de l'outil.

Remisez l'outil dans un endroit sec, sous clé et hors de portée des enfants.

## Assistance

Si votre scie à chaîne électrique Sun Joe® SWJ599E nécessite une intervention technique ou un entretien, veuillez appeler le 1-866-SNOWJOE (1-866-766-9563) pour de l'aide.

## Numéros de modèle et de série

Lorsque vous communiquez avec l'entreprise pour commander des pièces ou prendre rendez-vous pour une intervention technique chez un revendeur agréé, vous devez fournir les numéros de modèle et de série qui se trouvent sur l'étiquette autocollante apposée sur le carter de l'outil. Copiez ces numéros dans l'espace réservé ci-dessous.


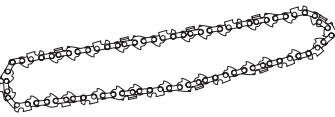
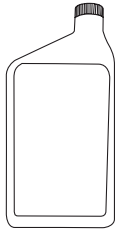
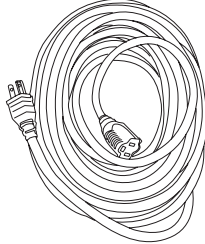
<b>Veillez noter les numéros suivants sur le carter ou la poignée de votre nouvel outil :</b>	
N° de modèle :	
S   W   J   5   9   9   E	
N° de série :	

# Dépannage

Problème	Cause possible	Solution
Le moteur ne démarre pas quand vous appuyez sur le bouton-poussoir de sécurité et pressez la gâchette	• Le cordon n'est pas branché dans la source d'alimentation	• Assurez-vous que le cordon est branché dans une source d'alimentation
	• La gâchette ne fonctionne pas	• Avant de presser la gâchette, vérifiez que le bouton-poussoir de sécurité est complètement enfoncé
	• La rallonge n'est pas branchée dans la prise	• Vérifiez si la rallonge électrique est bien raccordée à l'outil
	• La rallonge ou le cordon d'alimentation est endommagé	• Réparez ou remplacez le cordon endommagé
	• Balais de moteur usés	• Les balais du moteur doivent être remplacés
Guide-chaîne et chaîne chauds et fumant	• Chaîne trop tendue	• Réglez la tension de la chaîne
	• Réservoir d'huile vide	• Remplissez le réservoir d'huile pour chaîne
	• Chaîne montée à l'envers	• Retournez la chaîne pour que les tranchants soient dans le bon sens
Le moteur tourne, mais la chaîne ne tourne pas	• Chaîne trop tendue	• Réglez la tension de la chaîne
	• Il se peut que le guide-chaîne et la chaîne soient endommagés	• Remplacez le guide-chaîne et la chaîne par des pièces de rechange identiques
Rendement de coupe médiocre	• Chaîne de scie émoussée	• Affutez ou remplacez la chaîne de la scie
	• Tension de chaîne non appropriée	• Vérifiez la tension de la chaîne
	• Chaîne de scie mal insérée	• Vérifiez le sens de la chaîne de la scie
La chaîne saute de son guide	• Tension de chaîne non appropriée	• Vérifiez la tension de la chaîne
La chaîne tourne avec difficulté	• Tension de chaîne non appropriée	• Vérifiez la tension de la chaîne

## Accessoires en option

**⚠️ AVERTISSEMENT!** TOUJOURS utiliser des pièces de rechange et des accessoires Snow Joe® + Sun Joe® homologués. NE JAMAIS utiliser des pièces de rechange ou des accessoires qui ne sont pas destinés à être utilisés avec cette scie. Communiquez avec Snow Joe® + Sun Joe® si vous n'êtes pas sûr que l'utilisation d'une pièce de rechange ou d'un accessoire particulier avec votre scie soit sans danger. L'utilisation de tout autre accessoire ou de toute autre pièce détachée peut être dangereuse et pourrait provoquer des dommages corporels ou mécaniques.

Accessoires	Description	Modèle
<p>①</p> 	Guide-chaîne de 35,6 cm	SWJ-14BAR
<p>②</p> 	Chaîne de 35,6 cm	SWJ-14CHAIN
<p>③</p> 	Huile pour guide-chaîne et chaîne	SWJ-OIL (vendue sur le site <a href="http://sunjoe.com">sunjoe.com</a> ou vous pouvez acheter une huile de même qualité pour guide-chaîne et chaîne dans votre quincaillerie locale)
<p>④</p> 	Rallonge électrique 15 m de calibre 14 Snow Joe® + Sun Joe® SJTW-A dont les extrémités s'éclairent quand elle est sous tension.	PJEXT50-B

**REMARQUE :** les accessoires sont sous réserve de changements sans que Snow Joe® + Sun Joe® soit pour autant tenue de donner un préavis desdits changements. Les accessoires peuvent être commandés en ligne sur le site [sunjoe.com](http://sunjoe.com) ou par téléphone en appelant le service clientèle Snow Joe® + Sun Joe® au 1-866-SNOWJOE (1-866-766-9563).



## LA PROMESSE DE SNOW JOE® + SUN JOE® À SES CLIENTS

Vous êtes notre client et Snow Joe, LLC (« Snow Joe ») **SE MET EN QUATRE** pour vous servir. Nous nous efforçons de vous rendre l'utilisation de nos produits aussi plaisante que possible. Malheureusement, il peut arriver qu'un produit Snow Joe®, Sun Joe® ou Aqua Joe (« Produit ») ne fonctionne pas ou se casse dans des conditions d'utilisation normales. Nous pensons qu'il est important que vous sachiez ce que vous pouvez attendre de nous. C'est pourquoi nous avons une garantie limitée (« Garantie ») pour nos Produits.

### NOTRE GARANTIE :

Snow Joe déclare et garantit que les Produits neufs, d'origine, électriques ou non électriques sont exempts de vices de matière ou de fabrication et, lorsqu'ils font l'objet d'une utilisation résidentielle et ménagère ordinaire, les garantit pendant une période de deux ans à compter de la date d'achat au détail par l'acheteur primitif auprès de Snow Joe ou d'un des revendeurs agréés de Snow Joe, preuve d'achat à l'appui. Étant donné que Snow Joe ne peut pas contrôler la qualité de ses Produits vendus par des revendeurs non agréés, sauf stipulation contraire de la loi, la présente Garantie ne couvre pas les Produits achetés auprès de vendeurs non agréés. Si votre Produit ne fonctionne pas ou si une pièce spécifique couverte par les modalités de la présente Garantie fait l'objet d'un problème quelconque, Snow Joe choisira (1) de vous envoyer une pièce de rechange gratuite, (2) de remplacer le Produit par un produit neuf ou comparable, gratuitement, ou (3) de réparer le Produit. Génial, n'est-ce pas?

**La présente Garantie vous donne des droits judiciaires spécifiques, et vous pouvez également avoir d'autres droits qui peuvent varier d'une province ou d'un territoire à l'autre.**

### ENREGISTREMENT DU PRODUIT :

Snow Joe vous recommande vivement d'enregistrer votre Produit. Vous pouvez l'enregistrer en ligne sur le site [snowjoe.com/register](http://snowjoe.com/register), ou en imprimant et en envoyant par courrier une carte d'enregistrement offerte en ligne sur notre site Web, ou par téléphone en appelant notre Service à la clientèle au **1-866-SNOWJOE (1-866-766-9563)**, ou encore en nous envoyant un courriel à l'adresse [help@snowjoe.com](mailto:help@snowjoe.com). Le fait de ne pas enregistrer l'achat de votre Produit n'a aucune conséquence sur vos droits concernant la garantie. Toutefois, l'enregistrement de votre Produit permettra à Snow Joe de mieux répondre au moindre besoin que vous pourriez avoir en matière de service à la clientèle.

### QUI PEUT REVENDIQUER LA COUVERTURE DE LA GARANTIE?

La présente Garantie est étendue par Snow Joe à l'acheteur et propriétaire primitif du Produit.

### QU'EST-CE QUI N'EST PAS COUVERT?

La présente Garantie ne s'applique pas si le Produit a été utilisé commercialement, pour des travaux non résidentiels ou s'il fait l'objet d'une location. La présente Garantie ne s'applique pas non plus si le Produit a été acheté auprès d'un revendeur non agréé. La présente garantie ne couvre pas non plus les changements cosmétiques qui n'affectent pas le rendement. Les pièces d'usure comme les courroies, les tarières, les chaînes et les dents ne sont pas couvertes au titre de la présente Garantie et peuvent être achetées en ligne sur le site [snowjoe.com](http://snowjoe.com) ou en appelant le **1-866-SNOWJOE (1-866-766-9563)**.





---

---

---

---

---

---

---

---

---

---

---

---

---

---

---

---

---

---

---

---

---

---

---

---

---

---

---

---

---

---



**[sunjoe.com](http://sunjoe.com)**