

bliss™

outdoors

PATIO UMBRELLA WITH CRANK AND TILT

Read the instructions carefully before assembly and installation.

ASSEMBLY INSTRUCTIONS:

1. Attach the bottom part of the pole to the top pole with umbrella. It will make a snap/click noise once the (2) poles are securely together. (Fig. 1)
 2. Crank open umbrella completely until it is above the tilt joint. The umbrella arms mechanism is above the tilt joint. (Fig. 2)
 3. While holding the top of the umbrella with one hand, take your other hand and press firmly on the button and hold while tilting the umbrella until the umbrella moves into the tilted position. (Fig. 2)
 4. **TO OPEN** As indicated on the crank handle, turn it clockwise until it is fully opened. It is fully opened when you start feeling the tension of the crank and the umbrella fabric is taut. (Fig. 3)
- TO CLOSE** As indicated on the crank handle, turn it counter-clockwise until it is fully closed. (Fig. 3)

⚠ CAUTION:

DO NOT FORCE THE UMBRELLA TO OPEN FARTHER THAN THE TENSION ALLOWS. YOU RISK INJURY TO YOURSELF OR OTHERS AND/OR DAMAGE TO THE CRANKING SYSTEM.

WARRANTY

All Bliss Outdoors™ products are guaranteed against manufacturing defects for one full year from the date of purchase. Damage caused by the environment, improper use, care, and/or maintenance is not covered. Guarantee excludes clearance, close-out, non-retail, private, or auction sales.

For warranty issues, please address: help@blisshammocks.com

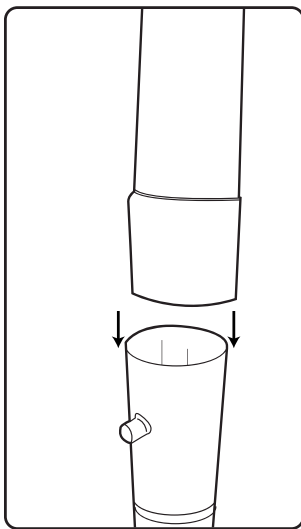


Fig. 1

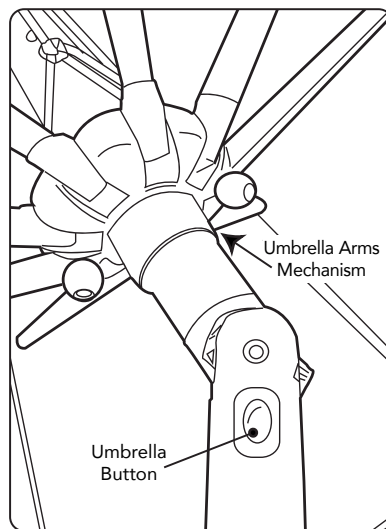


Fig. 2

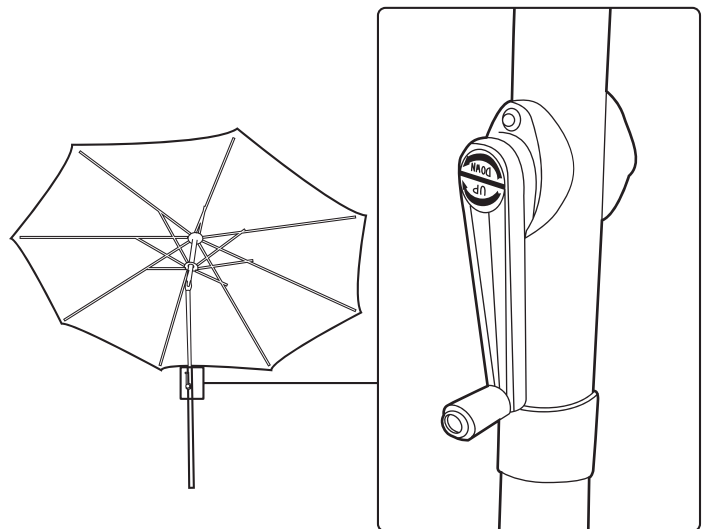


Fig. 3

If you have any questions or comments,
please call the Bliss Outdoors™ customer service department at:
1-800-695-2626