



# CORDLESS LAWN MOWER

100V MAX\* | 5.0 Ah | 20-INCH

## OPERATOR'S MANUAL

A Division of Snow Joe®, LLC

Model iON100V-21LM

Form No. SJ-iON100V-21LM-880E-MR1

## IMPORTANT! Safety Instructions

### All Operators Must Read These Instructions Before Use

Always follow these safety guidelines. Failure to do so may result in serious bodily injury or death.

### General Safety WARNINGS!

When using this cordless lawn mower, basic safety precautions should always be followed to reduce the risk of fire, electric shock and personal injury. These precautions include:

**⚠️ WARNING!** Do not operate without the entire grass collection bag, discharge guard, rear guard or other safety protective devices in place and in proper working order.

**⚠️ WARNING!** The use of any other accessory or attachment might increase the risk of injury.

**⚠️ WARNING!** To reduce the risk of injury, inspect the grass collection bag assembly frequently and replace with recommended replacement if there are signs of wear or deterioration.

Before using the mower, take the time to familiarize yourself with the controls, especially how to stop the mower in an emergency. The only individuals who should use the mower are those who have a thorough understanding of the instructions and who know how to operate the machine. Children should never be allowed access to the mower.

Retain this manual for future reference and reread it at the start of each mowing season.

**⚠️ WARNING!** Contact with moving parts may cause entanglement, dismemberment or other serious bodily injury. Always keep body parts (i.e. hands, feet) a safe distance away from moving parts. Ensure all covers and guards are securely in place before use.

Hot surfaces (i.e. the motor) may ignite flammable or combustible items and cause a fire or explosion, which can result in serious bodily injury. Keep the mower a safe distance away from flammable or combustible items until surfaces that are hot have completely cooled. Do not store the mower near flammable or combustible items.

**A damaged blade or worn blade nut may break off the mower assembly and cause serious injury. Replace the damaged blade or blade nut before using the mower.**

- 1. Avoid dangerous conditions** – Do not use the mower in the rain or when the grass is damp or wet.
- 2. Keep children, bystanders and pets away** – Always keep children and spectators a safe distance away from the mower during operation and as the machine cools.
- 3. Dress properly** – Always wear personal safety gear (i.e. glasses, rubber gloves, protective footwear and dust masks) and proper clothing when using the mower. Loose clothing, long hair or jewelry may get caught in the moving parts.
- 4. Use the right appliance** – Do not use the lawn mower for any applications other than those for which it was intended.
- 5. Do not force the lawn mower** – It will perform better with less likelihood of personal or mechanical injury if it is used at the rate for which it was designed.
- 6. Do not overreach** – Keep proper footing and balance at all times.
- 7. Stay alert** – Always be alert and watch what you are doing. Use common sense. Do not operate the lawn mower when you are tired or under the influence of alcohol or drugs.
- 8. Disconnect the lawn mower** – Turn OFF and remove the battery and the safety key when the mower is not in use, before servicing it, when changing accessories and when performing any other maintenance task.
- 9. Store idle lawn mower indoors** – When not in use, the lawn mower should be stored indoors in a dry, locked place out of the reach of children.
- 10. Maintain the lawn mower with care** – Keep cutting edges sharp and clean for best and safest performance.
- 11. Use personal protective equipment. Always wear eye protection** – Protective equipment such as safety glasses, a dusk mask, non-skid safety shoes, a hard hat, and hearing protection, when used for appropriate conditions, will reduce the possibility of personal injuries.
- 12. Avoid unintentional starting** – Ensure the switch is in the OFF position before insert the battery or the safety key, or before picking up or carrying the tool. Carrying power tools with your finger on the switch or charging power tools with the switch ON can lead to accidents.
- 13. Remove any adjusting key or wrench before starting the power tool** – A wrench or a key left attached to a rotating part of the power tool may result in personal injury.

**14. Keep cutting blade sharp and clean –**

Properly maintained cutting blades with sharp edges are less likely to bind and are easier to control.

**15. Keep all parts of the body away from the cutting blade**

– Do not remove cut material or hold material to be cut when blade is moving. Make sure the switch is off when clearing jammed material. A moment of inattention while operating the product may result in serious personal injury.

**16. If the lawn mower strikes a foreign object, follow these steps:**

- i) Stop the lawn mower by releasing both the self-propel lever and the switch lever.
- ii) Remove the battery and the safety key.
- iii) Inspect for damage.
- iv) Repair any damage before restarting and operating the lawn mower.

**17. Only use identical replacement blades and other genuine parts.**

**18. Keep guards in place and in proper working order.**

## Electrical Safety


1. If the battery charger cable is damaged, please call the Snow Joe® + Sun Joe® customer service center at 1-866-SNOWJOE (1-866-766-9563).
2. If charging the power tool in a damp location is unavoidable, use a residual current device (RCD) protected power supply. The using of an RCD reduces the risk of electric shock.
3. Avoid body contact with earthed or grounded surfaces such as pipes, radiators, ranges and refrigerators. There is an increased risk of electric shock if your body is earthed or grounded.
4. **Do not expose power tools to rain or wet conditions.** Water entering a power tool will increase the risk of electric shock.
5. **Do not abuse the charging cord.** Never use the cord for carrying, pulling or unplugging the charger. Keep cord away from heat, oil, sharp edges or moving parts. Damaged or entangled cords increase the risk of electric shock.
6. Battery charger is for indoor use only. Do not charge lawn mower in rain, or in wet locations.


## Battery + Charger Safety Instructions

We pay a great deal of attention to the design of every battery pack to ensure that we supply you with batteries that are safe, durable and have a high energy density. The battery cells have a wide range of safety devices. Each individual cell is initially formatted and its electrical characteristic curves are recorded. This data is then used exclusively to be able to assemble the best possible battery packs.

Despite all the safety precautions, caution must always be exercised when handling batteries. The following points must be obeyed at all times to ensure safe use. Safe use can only be guaranteed if undamaged cells are used. Incorrect handling of the battery pack can cause cell damage.

**IMPORTANT!** Analyses confirm that incorrect use and poor care of high-performance batteries are the main factors responsible for personal and/or product damage.

 **WARNING!** Use only approved replacement batteries; other batteries may damage the lawn mower and cause it to malfunction, which can lead to serious personal injury.

 **CAUTION!** To reduce the risk of injury, charge the iON100V-5AMP battery pack only in their compatible charger (model iON100V-RCH). Other types of chargers present risk of fire, personal injury, and damage. Do not wire a battery pack to a power supply plug or car cigarette lighter. Such misuse will permanently disable or damage the battery pack.

- **Avoid dangerous environments** – Do not charge the battery pack in rain, snow or in damp or wet locations. Do not use the battery pack or charger in the presence of explosive atmospheres (gaseous fumes, dust or flammable materials) because sparks may be generated when inserting or removing the battery pack, which could lead to a fire.

- **Charge in a well-ventilated area** – Do not block the charger vents. Keep them clear to allow for proper ventilation. Do not allow smoking or open flames near a charging battery pack. Vented gases may explode.

**NOTE:** The safe temperature range for the battery is 50°F (10°C) to 104°F (40°C). Do not charge the battery outside in freezing weather; charge it at room temperature.

- **Maintain charger cord** – When unplugging the charger, pull the plug, not the cord, from the receptacle to reduce the risk of damage to the electrical plug and cord. Never carry the charger by its cord or yank it by the cord to disconnect it from the receptacle. Keep the cord away from heat, oil and sharp edges. Make sure the cord will not be stepped on, tripped over or subjected to damage or stress when the charger is in use. Do not use the charger with a damaged cord or plug. Replace a damaged charger immediately.

- **Do not use an extension cord unless it is absolutely necessary** – Using the wrong, damaged or improperly wired extension cord poses a risk of fire and electric shock. If an extension cord must be used, plug the charger into a properly wired 18 gauge or larger extension cord with the female plug matching the male plug on the charger. Make sure that the extension cord is in good electrical condition.
- **Charger iON100V-RCH is rated for 100 – 120V AC only** – The charger must be plugged into an appropriate receptacle.
- **Use only recommended attachments** – Use of an attachment not recommended or sold by the battery charger or battery pack manufacturer may result in risk of fire, electric shock or personal injury.
- **Unplug charger when not in use** – Make sure to remove battery pack from unplugged chargers.

**⚠ WARNING!** To reduce the risk of electric shock, always unplug the charger before performing any cleaning or maintenance. Do not allow water to flow into the charger. Use a Ground Fault Circuit Interrupter (GFCI) to reduce shock hazards.

- **Do not burn or incinerate battery packs** – Battery packs may explode, causing personal injury or damage. Toxic fumes and materials are created when battery packs are burned.
- **Do not crush, drop or damage battery packs** – Do not use the battery pack or charger if they have sustained a sharp blow, been dropped, run over or have been damaged in any way (i.e. pierced with a nail, hit with a hammer, stepped on, etc.).
- **Do not disassemble** – Incorrect reassembly may pose a serious risk of electric shock, fire or exposure to toxic battery chemicals. If the battery or charger are damaged, please contact an authorized Snow Joe® + Sun Joe® dealer or call the Snow Joe® + Sun Joe® customer service center at 1-866-SNOWJOE (1-866-766-9563).
- **Battery chemicals cause serious burns** – Never let a damaged battery pack contact the skin, eyes or mouth. If a damaged battery pack leaks battery chemicals, use rubber or neoprene gloves to safely dispose of it. If skin is exposed to battery fluids, wash the affected area with soap and water and rinse with vinegar. If eyes are exposed to battery chemicals, immediately flush with water for 20 minutes and seek medical attention. Remove and dispose of contaminated clothing.
- **Do not short circuit** – A battery pack will short circuit if a metal object makes a connection between the positive and negative contacts on the battery pack. Do not place a battery pack near anything that may cause a short circuit, such as paper clips, coins, keys, screws, nails and other metallic objects. A short-circuited battery pack poses a risk of fire and severe personal injury.
- **Store your battery pack and charger in a cool, dry place** – Do not store the battery pack or charger where temperatures may exceed 104°F (40°C), such as in direct sunlight or inside a vehicle or metal building during the summer.

## Protection from environmental influences

1. Wear suitable work clothes. Wear safety goggles.
2. Protect your cordless tool and the battery charger from moisture and rain. Moisture and rain can cause dangerous cell damage.
3. Do not use the cordless tool or the battery charger near vapors and flammable liquids.
4. Use the battery charger and cordless tools only in dry conditions and at an ambient temperature of 50°F – 104°F (10°C – 40°C).
5. Do not keep the battery charger in places where the temperature is liable to reach over 104°F (40°C). In particular, do not leave the battery charger in a car that is parked in the sunshine.
6. Protect batteries from overheating. Overloads, overcharging and exposure to direct sunlight will result in overheating and cell damage. Never charge or work with batteries that have been overheated – replace them immediately, if possible.
7. Store the charger and your cordless tool only in dry locations with an ambient temperature of 50°F – 104°F (10°C – 40°C). Store your lithium-ion battery pack in a cool, dry place at a temperature of 50°F – 68°F (10°C – 20°C). Protect the battery pack, charger and cordless tool from humidity and direct sunlight. Only place fully charged batteries in storage (charged to at least 40%).
8. Prevent the lithium-ion battery pack from freezing. Battery packs that were stored below 32°F (0°C) for more than 60 minutes must be discarded.
9. When handling batteries, be wary of electrostatic charge. Electrostatic discharges can damage the electronic protection system and the battery cells. Avoid electrostatic charging and never touch the battery poles.

## Information about the battery

1. The battery packs (model iON100V-2.5AMP or iON100V-5AMP) must be purchased separately for use with this cordless lawn mower are only partially charged. The battery packs have to be charged completely before you use the tool for the first time.
2. For optimum battery performance, avoid low discharge cycles by charging the battery packs frequently.
3. Store the battery packs in a cool place, ideally at 59°F (15°C) and charged to at least 40%.
4. Lithium-ion batteries are subject to a natural aging process. The battery packs must be replaced at the latest when its capacity falls to just 80% of its capacity when new. Weakened cells in aged battery packs are no longer capable of meeting the high power requirements needed for the proper operation of your cordless lawn mower, and therefore pose a safety risk.
5. Do not throw battery packs into an open fire as this poses a risk of explosion.
6. Do not ignite the battery packs or expose them to fire.

7. Do not exhaustively discharge batteries. Exhaustive discharge will damage the battery cells. The most common cause of exhaustive discharge is lengthy storage or non-use of partially discharged batteries. Stop working as soon as the performance of the batteries falls noticeably or the electronic protection system triggers. Place the battery packs in long-term storage only after they have been fully charged.
  8. Protect batteries and the tool from overloads. Overloads will quickly result in overheating and cell damage inside the battery housing even if this overheating is not apparent externally.
  9. Avoid damage and shocks. Immediately replace batteries that have been dropped from a height of more than one meter or those that have been exposed to violent shocks, even if the housing of the battery pack appears to be undamaged. The battery cells inside the battery may have suffered serious damage. In such instances, please read the waste disposal information for proper battery disposal.
  10. If the battery pack suffers overloading and overheating, the integrated protective cutoff will switch off the equipment for safety reasons. If this situation happens, stop the tool and let the battery cool down for a few minutes before restarting.
  11. Use only original battery packs. The use of other batteries poses a fire risk and may result in injuries or an explosion.
7. Do not overcharge batteries. Do not exceed the maximum charging times. These charging times only apply to discharged batteries. Frequent insertion of a charged or partially charged battery pack will result in overcharging and cell damage. Do not leave batteries in the charger for days on end.
  8. Never use or charge batteries if you suspect that it has been more than 12 months since the last time they were charged. There is a high probability that the battery pack has already suffered dangerous damage (exhaustive discharge).
  9. Charging batteries at a temperature below 50°F (10°C) will cause chemical damage to the cells and may cause a fire.
  10. Do not use batteries that have been exposed to heat during the charging process, as the battery cells may have suffered dangerous damage.
  11. Do not use batteries that have suffered curvature or deformation during the charging process or those that exhibit other atypical symptoms (gassing, hissing, cracking, etc.)
  12. Never fully discharge the battery pack (maximum recommended depth of discharge is 80%). A complete discharge of the battery pack will lead to premature aging of the battery cells.

## Information about the charger and the charging process

1. Please check the data marked on the rating plate of the battery charger (sold separately). Be sure to connect the battery charger to a power supply with the voltage marked on the rating plate. Never connect it to a different mains voltage.
2. Protect the battery charger and its cord from damage. Keep the charger and its cord away from heat, oil and sharp edges. Have damaged cords repaired without delay by a qualified technician at an authorized Snow Joe® + Sun Joe® dealer or call the Snow Joe® + Sun Joe® customer service center at 1-866-SNOWJOE (1-866-766-9563).
3. Electrical plugs must match the outlet. Never modify the plug in any way. Do not use any adapter plugs with grounded appliances. Unmodified plugs and matching outlets will reduce the risk of electric shock.
4. Keep the battery charger, battery pack and the cordless tool out of the reach of children.
5. Do not use the battery charger to charge other cordless tools.
6. During periods of heavy use, the battery pack will become warm. Allow the battery pack to cool to room temperature before inserting it into the charger to recharge.

## IMPORTANT!

## Safety Instructions for Walk-Behind Mowers

### General Operation

- Read, understand and follow all instructions on the machine and in the manual(s) before starting.
- Do not put hands or feet near or under the machine. Always stay clear of the discharge opening.
- Only responsible adults who are familiar with the instructions should be allowed to operate this machine.
- Clear the mowing area of foreign objects such as rocks, wire, toys and other miscellaneous articles, which could be picked up and thrown by the blade. Stay behind the handle when the engine (motor) is running.
- Make sure that the mowing area is clear of bystanders before starting the machine. Stop the machine if anyone enters the area.
- Do not operate the machine barefooted or while wearing sandals. Always wear substantial footwear.
- Always look down and behind before and while moving backward with the mower.
- Never direct discharged material toward anyone. Avoid discharging material against a wall or other obstruction.

- Do not operate the machine without the entire grass catcher, discharge guard, rear guard or other safety protective devices in place and in proper working order.
- Never leave a running machine unattended.
- Stop the engine (motor) and wait until the blade comes to a complete stop before cleaning the machine, removing the grass catcher or unclogging the discharge guard.
- Operate the machine only in daylight or in good artificial light.
- Do not operate the machine when you are tired or under the influence of alcohol or drugs.
- Never operate the mower in wet grass. Always be sure of your footing; walk, never run, with the mower.
- If the machine should start to vibrate abnormally, stop the engine (motor) and immediately check the machine to ascertain the cause. Vibration is generally a signal of trouble.
- Keep the blade sharp.
- Keep hands and feet away from the cutting area.
- Always wear eye protection when operating the machine.
- Objects struck by the lawn mower blade can cause severe injuries. The mowing area should always be carefully examined and cleared of all objects prior to each mowing.

## Slope Operation

Slopes are major factors related to slip and fall accidents, which can result in severe injury. Operation on all slopes requires extra caution. If you feel uneasy on a slope, do not mow it.

- Mow across the face of slopes; never mow slopes following an up and down traverse. Exercise extreme caution when changing direction on a slope.
- Watch for holes, ruts, bumps, rocks or other hidden objects. These may cause an unexpected slip or fall.
- Do not mow on wet grass or excessively steep slopes. Poor footing could cause a slip and fall accident.
- Do not mow near drop offs, ditches or embankments. You could lose your footing or balance.

## Children

Tragic accidents can occur if the operator is not alert to the presence of children. Children are often attracted to the machine and the mowing activity. Never assume that children will remain where you last saw them.













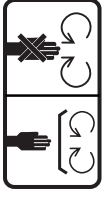


- Keep children out of the mowing area and under the watchful care of a responsible adult other than the operator.
- Stay alert and turn the mower off if a child enters the area.
- Never let children operate the machine.
- Use extra care when approaching blind corners, shrubs, trees or other objects that may block your view of a child.

## Service

- Stop the machine and remove the battery before servicing, cleaning, or removing grass from the lawn mower.
- Keep all nuts and bolts tight.
- Never tamper with safety devices. Regularly check to ensure these devices are in place and in proper working order.
- Keep the mower free from grass, leaves or other debris buildup.
- If you strike a foreign object, stop and inspect the machine. Repair, if necessary, before restarting.
- Never make any adjustments or repairs with the engine (motor) running. Always remove the battery before adjusting, cleaning or repairing.
- Check the grass bag components and the discharge guard frequently and replace with manufacturer's recommended parts when necessary.
- Mower blade is sharp. Wrap the blade or wear gloves, and use extra caution when servicing it.
- Maintain or replace safety and instruction labels, as necessary.
- If your power tool requires service, contact an authorized Snow Joe® + Sun Joe® dealer or call the Snow Joe® + Sun Joe® customer service center at 1-866-SNOWJOE (1-866-766-9563). Only identical replacement parts should be utilized for repairs. This will ensure that the safety of the power tool is maintained.
- If the battery charger cable is damaged, it must be immediately replaced to avoid a hazard. Contact the Snow Joe® + Sun Joe® customer service center at 1-866-SNOWJOE (1-866-766-9563) for assistance.

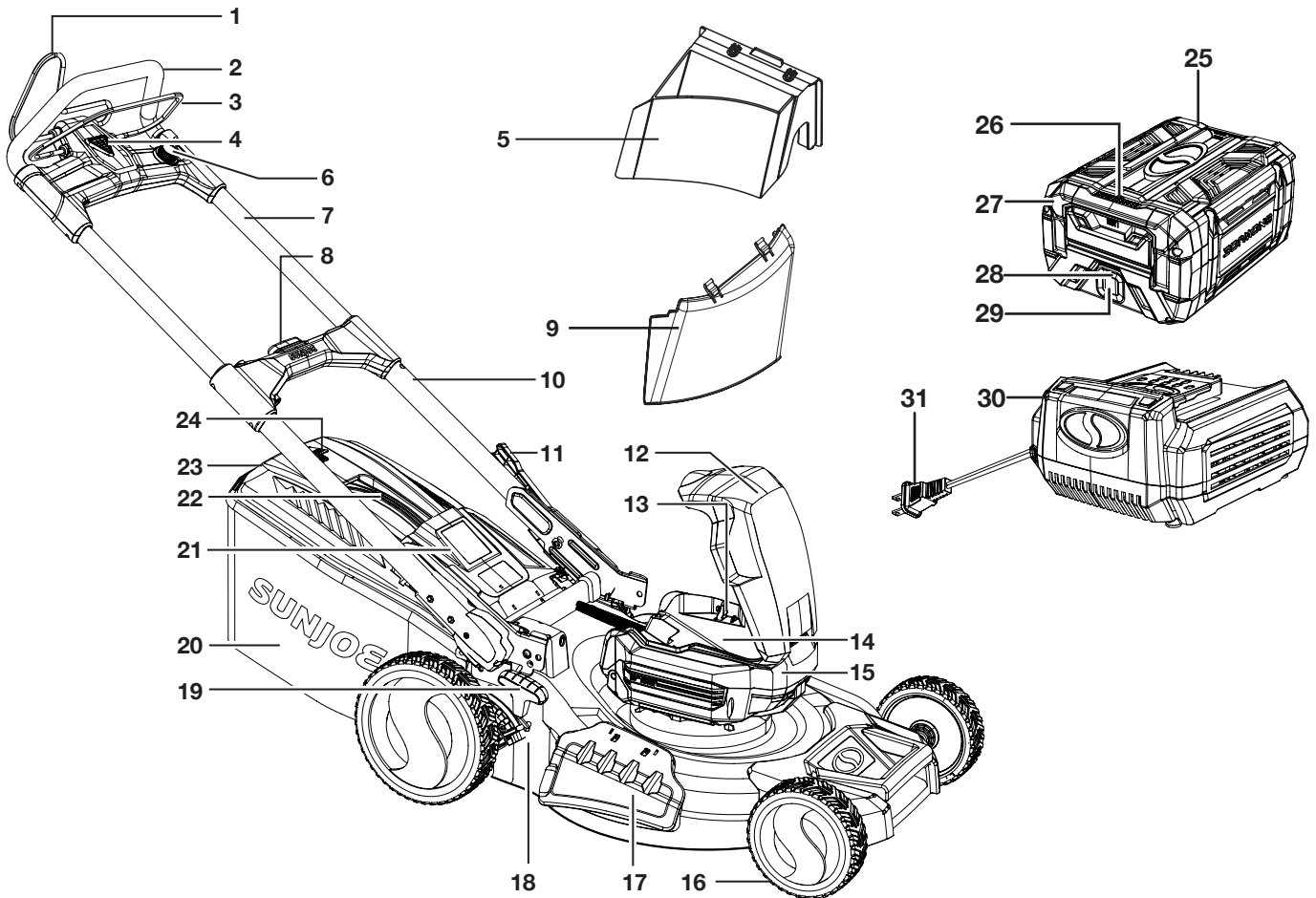
# Safety Symbols

The following table depicts and describes safety symbols that may appear on this product. Read, understand and follow all instructions on the machine before attempting to assemble and operate.

Symbols	Descriptions	Symbols	Descriptions
	<b>DANGER!</b> Rotating blades. Keep hands and feet away.		Keep bystanders and children a safe distance away.
	Safety Alert. Caution. To reduce the risk of injury, user must read instruction manual.		Wear eye and hearing protection. For protection against injury, wear ear defenders and safety goggles.
	<b>WARNING!</b> Do not expose or operate the unit in rain or wet conditions. Keep dry.		Wear protective gloves and non-slip footwear when using the machine and handling debris.
	Slip on slope hazard – Use extra caution when mowing on slopes to prevent slip and fall accidents.		Severing of toes or fingers by rotary mower blade.
	Thrown objects and rotating blade can cause severe injury.		Keep bystanders a safe distance away from the work area.
	Blades continue to rotate after machine is switched off.		<b>WARNING!</b> Always turn the machine OFF and remove the safety key before conducting inspection, cleaning and maintenance.
	Rotating blades, keep hands and feet away from the opening while the machine is running.		Look behind when backing up with the lawn mower.
	Indoor use only. Only use battery charger indoors.		

# Know Your Cordless Lawn Mower

Read the owner's manual and safety instructions carefully before operating the mower. Compare the illustration below to the mower in order to become familiar with the location of the various controls and adjustments. Save this manual for future reference.



- |                                   |                                 |                                       |
|-----------------------------------|---------------------------------|---------------------------------------|
| 1. Self-propel lever              | 12. Battery compartment cover   | 23. Grass collection bag cover        |
| 2. Soft grip                      | 13. Safety key                  | 24. Grass indicator window            |
| 3. Switch lever                   | 14. Battery compartment         | 25. iON100V-5AMP lithium iON battery  |
| 4. Safety button                  | 15. Motor housing               | 26. 0.35 watt LED light               |
| 5. Mulching plug                  | 16. Wheel (4)                   | 27. Battery handle                    |
| 6. Self-propel speed control dial | 17. Side discharge door         | 28. Battery indicator                 |
| 7. Upper handle frame             | 18. Mower deck                  | 29. Push button for battery indicator |
| 8. Handle releasing button        | 19. Height adjustment lever     | 30. iON100V-RCH battery quick charger |
| 9. Side discharge chute           | 20. Grass collection bag        | 31. Charger plug                      |
| 10. Lower handle frame            | 21. Ejector flap                |                                       |
| 11. Handle latch                  | 22. Grass collection bag handle |                                       |

## Technical Data

Motor .....	1000 W Brushless
Battery Voltage Max* .....	100V D.C.
Battery Capacity .....	5.0 Ah
Battery Runtime Max .....	50 min
	(cuts up to 16,470 sq ft of grass)
Charge Time Max .....	1 hr 40 min
Charger Input .....	100 – 120V AC, 50 – 60 Hz, 520 W
Charger Output .....	100V D.C. $\overline{\text{---}}$ 4 A
Cutting Width Max .....	20 in. (50.8 cm)
Cutting Height .....	1.2 in. to 3.75 in. (30 mm to 95 mm)
Grass Bag Capacity .....	13.2 Gal (50 L)
No Load Speed .....	2800 rpm
Net Weight .....	71.8 lbs (32.6 kg)

\*Initial no-load voltage, when fully charged, peaks at 100 volts; nominal voltage under typical load is 86.4 volts.

## Unpacking

### Carton Contents

- Cordless lawn mower
- Grass collection bag
- Side discharge chute
- Mulching plug (inserted in rear discharge opening)
- 100V Lithium-Ion Battery
- 100V Battery Quick Charger
- Manuals with registration card

1. Carefully remove the lawn mower and check to see that all of the above items are supplied.
2. Inspect the product carefully to make sure no breakage or damage occurred during shipping.

**NOTE:** Do not discard the shipping carton and packaging material until you are ready to use your new cordless lawn mower. The packaging is made of recyclable materials. Properly dispose of these materials in accordance with local regulations.

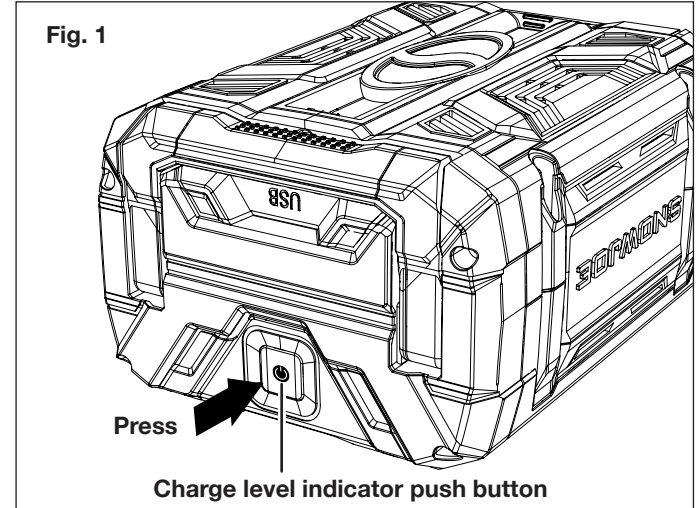
**IMPORTANT!** The equipment and packaging material are not toys. Do not let children play with plastic bags, foils, or small parts. These items can be swallowed and pose a suffocation risk!

## Battery Pack Operation

This equipment is powered by either one or two lithium-ion batteries (additional batteries sold separately). The battery packs are completely closed and maintenance free.

## Battery Charge Level Indicator

The battery pack is equipped with a push button for checking the charge level. Simply press the push button to read off the battery charge level from the LEDs of the battery indicator (Fig. 1):



- All 4 level monitoring LEDs are lit: Battery charge level is high.
- 3 level monitoring LEDs are lit: Battery charge level is decreasing.
- 2 level monitoring LEDs are lit: Battery charge level is decreasing. Stop work as soon as possible.
- 1 level monitoring LED is lit: Battery is flat. Stop work IMMEDIATELY and charge the battery. Otherwise the battery's service life will be greatly shortened.

Lights	Light Indicators
	The battery is at 20% capacity and requires charging
	The battery is at 50% capacity and requires charging soon
	The battery is at 70% capacity
	The battery is at full capacity

**NOTE:** If the charge level button does not appear to be working, place the battery pack on the charger and charge as needed.

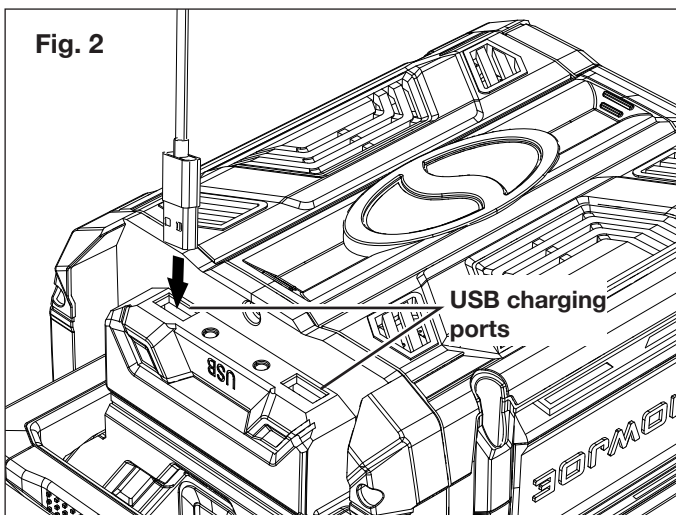


**NOTE:** Immediately after using the battery pack, the charge level button may display a lower charge than it will if checked a few minutes later. The battery cells “recover” some of their charge after resting.

## USB Charging Port

The iON100V-5AMP lithium-iON battery is equipped with 2 USB charging ports, which can provide 5V power for most smart phones, tablets, wearables and other USB devices.

To charge with the battery, connect a USB cable that came with your selected electronic device to one of the USB ports under the handle of the iON100V-5AMP battery pack and to your device. The charging process will start immediately (Fig. 2).

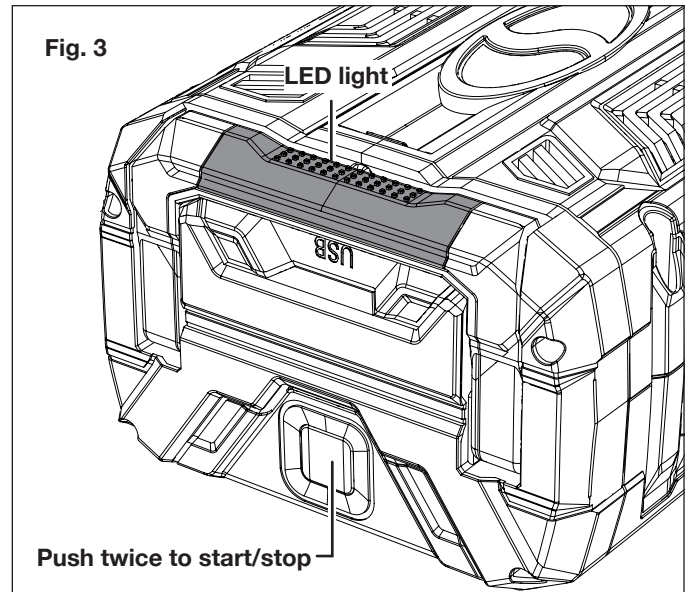


**NOTE:** If you experience any issues with charging your particular device, ensure that the battery pack is fully charged.

**⚠ WARNING!** Make sure the battery’s USB ports are not contaminated with lint or other debris. Use a canned-air type of product periodically to ensure that the port openings are clear.

## LED light

The iON100V-5AMP battery is equipped with a 0.35 watt LED light located on the handle, which is good for camping and emergency illumination. To turn on the LED light, open the carry handle, and press the battery push button twice in a row. To turn off the LED light, press the battery push button twice again (Fig. 3).



## Charger Operation

**⚠ WARNING!** Charge only the iON100V-5AMP lithium-ion battery pack in compatible iON100V-RCH battery charger. Other types of batteries may cause personal injury and damage.

To reduce the risk of electric shock, do not allow water to flow into the charger’s AC/DC plug.

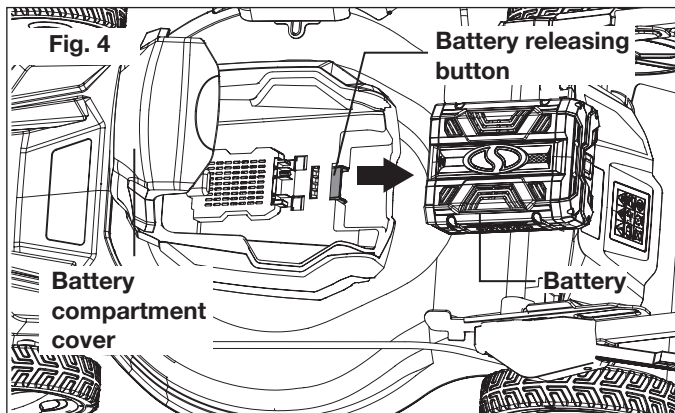
## When to Charge the iON100V-5AMP Lithium-Ion Battery

**NOTE:** The iON100V-5AMP lithium-ion battery pack does not develop a “memory” when charged after only a partial discharge. Therefore, it is not necessary to run down the battery pack before placing it into the charger.

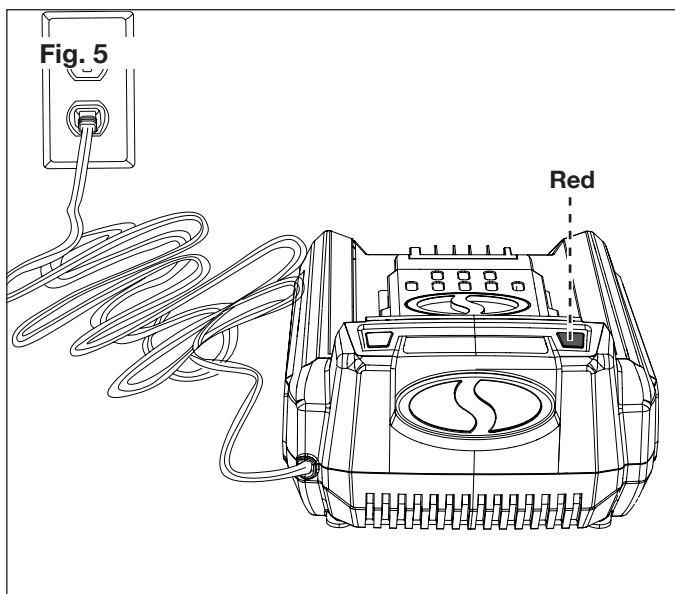
- Use the battery charge indicator lights to determine when to charge your iON100V-5AMP lithium-ion battery packs.
- You can “top-off” your battery pack’s charge before starting a big job or after a long day of use.

## Charging the Battery Packs

1. Flip open the battery compartment cover, push the battery releasing button to release the battery pack. Pull the battery out of the equipment. (Fig. 4).

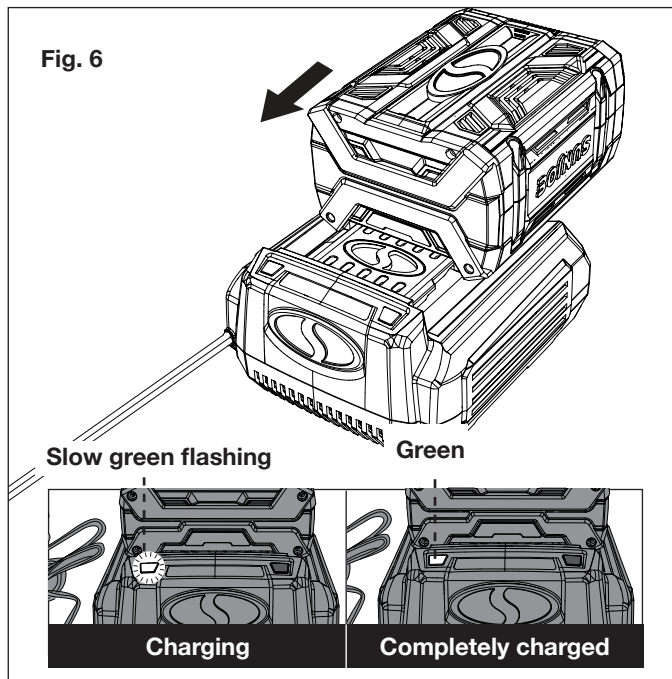


2. Check that the main voltage is the same as that marked on the rating plate of the battery charger. Then, insert the charger's plug into the electrical wall outlet. When you plug in the charger, the red light will illuminate steadily (Fig. 5).

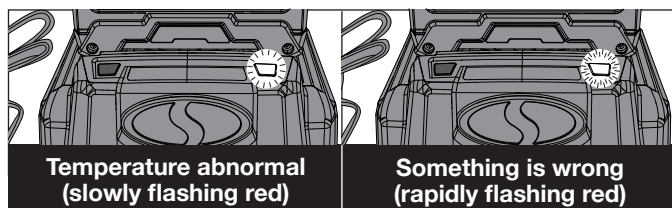


**CAUTION!** Charger iON100V-RCH is rated for 100 – 120 volt AC only. DO NOT plug the charger into any outlet that will provide power with a higher voltage. Over voltage charging will be harmful to both the battery and charger, and may cause the charger to burn out.

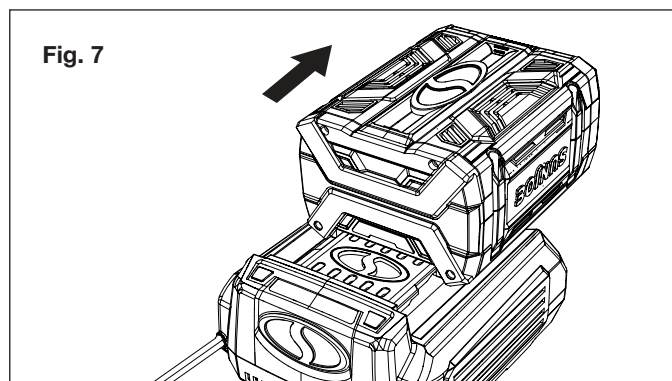
3. Place the battery pack into the charger by sliding the pack as shown until it clicks into the position. When the battery is inserted properly, the green light will slowly flash to indicate that the battery is charging. The red light will turn off. You will also hear a fan sound (Fig. 6).
4. When the green light stays on, the battery is fully charged (Fig. 6).



**NOTE:** If the green light is off while the red light flashes slowly, this indicates a temperature abnormality (i.e. that the battery pack is too hot). If the green light is off while the red light flashes rapidly, this indicates there's something wrong with the charger or the battery. Wait for a while and try to reinsert the battery into the charger. If the situation still persists, contact Snow Joe® + Sun Joe® customer service at 1-866-SNOWJOE (1-866-766-9563).



5. A fully discharged iON100V-5AMP battery pack with an internal temperature in the normal range will fully charge in 1 hr 40 minutes (between 50°F/10°C and 104°F/40°C). Heavily discharged battery packs may take longer to charge completely.
6. When charging is complete, remove the battery from the charger by pulling the battery backward to unlock it from the charger (Fig. 7).



- Timely recharging of the battery will help prolong the battery's life. You must recharge the battery pack when you notice a drop in the equipment's power.

**IMPORTANT!** Never allow the battery pack to become fully discharged as this will cause irreversible damage to the battery.

## Charger Light Indicator Table

Use the table below to determine charger light patterns and possible causes. For all other issues, contact Snow Joe® + Sun Joe® customer service center at 1-866-SNOWJOE (1-866-766-9563).

Indication	Possible Cause (Solution)
<ul style="list-style-type: none"> <li>Red Light – Steady</li> <li>Green Light – Off</li> </ul>	<ul style="list-style-type: none"> <li><b>No load charging</b> – There's no battery inserted in the charger.</li> </ul>
<ul style="list-style-type: none"> <li>Red Light – Off</li> <li>Green Light – Slowly flashes</li> </ul>	<ul style="list-style-type: none"> <li><b>Normal charging</b> – The battery is being charged.</li> </ul>
<ul style="list-style-type: none"> <li>Red Light – Off</li> <li>Green Light – Steady</li> </ul>	<ul style="list-style-type: none"> <li><b>Fully charged</b> – The battery is fully charged and the charging process is finished.</li> </ul>
<ul style="list-style-type: none"> <li>Red Light – Off</li> <li>Green Light – Rapidly flashes</li> </ul>	<ul style="list-style-type: none"> <li><b>Discharged</b> – The battery is heavily discharged. It may take longer time for charging.</li> </ul>
<ul style="list-style-type: none"> <li>Red Light – Slowly flashes</li> <li>Green Light – Off</li> </ul>	<ul style="list-style-type: none"> <li><b>Temperature abnormal</b> – Charging process will start when battery returns to normal temperature.</li> </ul>
<ul style="list-style-type: none"> <li>Red Light – Rapidly flashes</li> <li>Green Light – Off</li> </ul>	<ul style="list-style-type: none"> <li><b>Over current charging</b> – The current coming through the charger is greater than what the charger can support. Stop charging as soon as possible.</li> <li><b>Abnormal performance</b> – Something is wrong with the battery or the charger. Contact Snow Joe® + Sun Joe® customer service at 1-866-SNOWJOE (1-866-766-9563).</li> </ul>

## Assembly

**WARNING!** Do not insert the battery until assembly is complete. Failure to comply could result in accidental starting and serious personal injury.

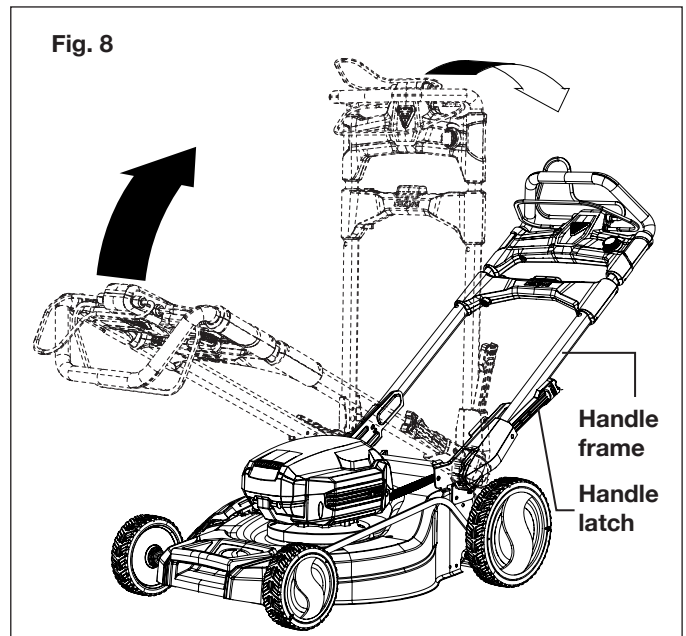
**WARNING!** Before performing any maintenance, make sure the battery and the safety key are removed from the unit. Failure to heed this warning could result in serious personal injury.

**WARNING!** The product must be fully assembled before operation. Do not use a product that is only partially assembled or assembled with damaged parts.

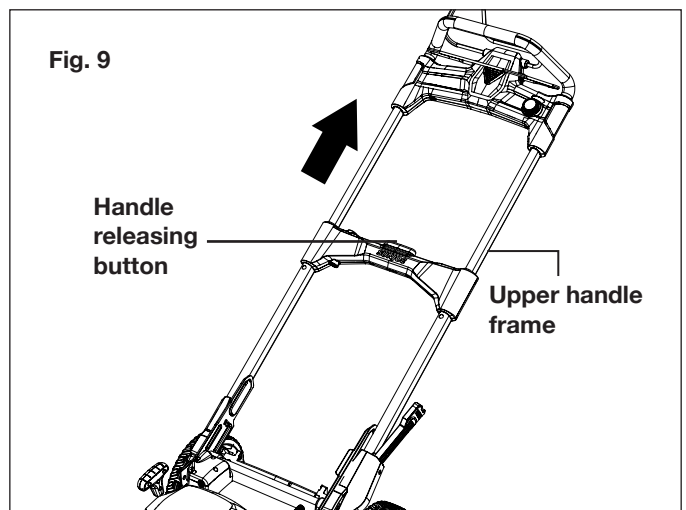
**NOTE:** Before using the mower, follow these instructions to assemble the handle and grass bag.

## Handle Assembly

- The unit arrives with the handle frame folded down in storage position. To unfold the handle, press down the handle latch and flip up the handle frame until the handle frame clicks into working position (Fig. 8).

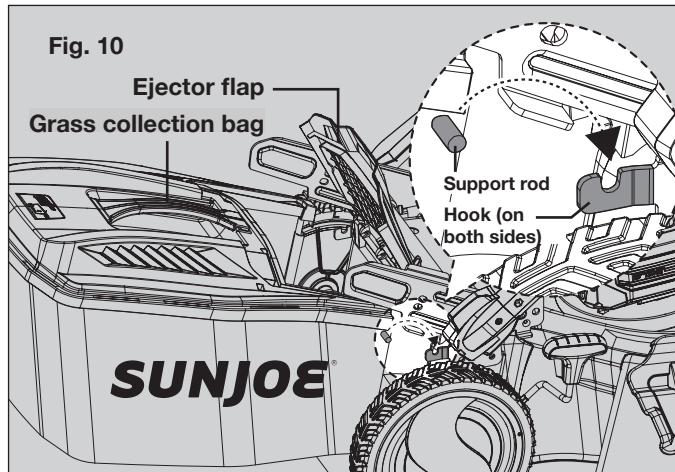


- Press down the handle releasing button located on the middle bar of the handle frame, meanwhile pull the upper handle frame to extend it to full length (Fig. 9).

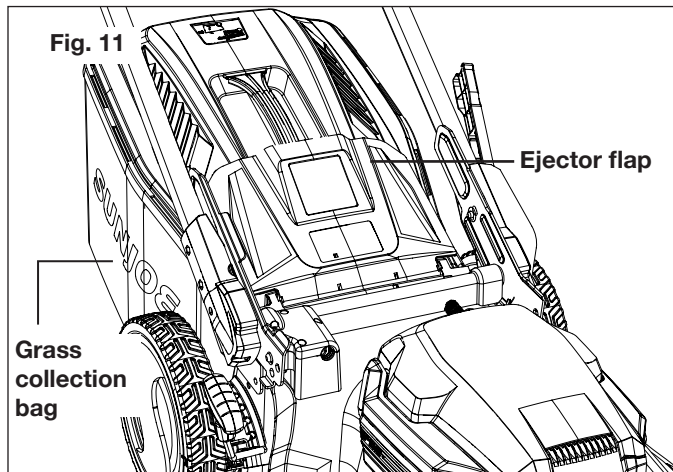


## Grass Collection Bag Fitting

1. Lift the ejector flap up, and remove the mulching plug inserted in the rear discharge opening.
2. With the ejector flap lifted up, hold the grass collection bag by the handle and hook the ends of the support rod on the hooks on both sides (Fig. 10).



3. Release the ejector flap so that it rests on the grass bag. (Fig. 11).



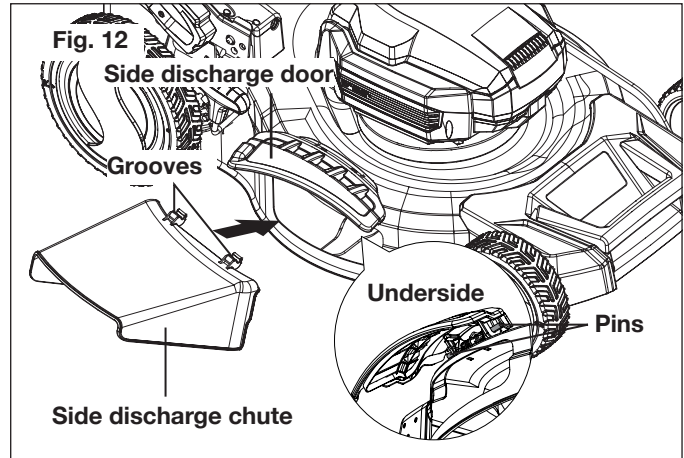
## Side Discharge Chute Assembly + Fitting

Use the side discharge chute on your mower when the grass is too tall to mulch or when side discharging is preferred.

The grass clippings produced by the side discharge chute are noticeably larger than those produced by the mulching plug.

**NOTE:** When using the side discharge chute, do not assemble the grass collection bag. Insert the mulching plug in the rear discharge opening.

1. Lift up the side discharge door.
2. Align the grooves on the side discharge chute with the pins on the underside of the door, and hook the grooves on the pins (Fig. 12).



3. Release the side discharge door.

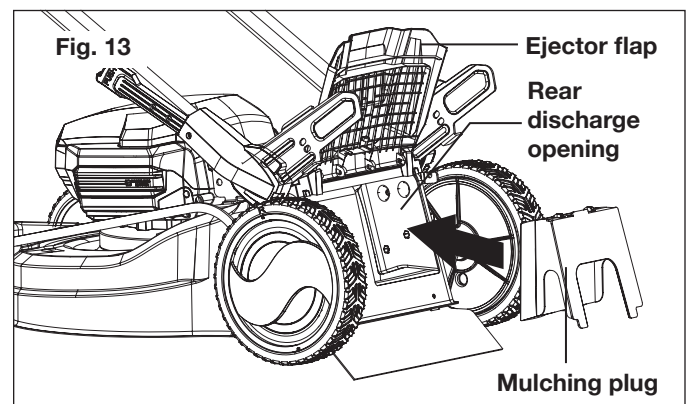
## Mulching Plug Assembly + Fitting

Your mower is equipped with a mulching plug to allow the blade to cut and recut the grass for finer clippings.

**NOTE:** When using the mulching plug, do not assemble the grass collection bag or the side discharge chute.

**NOTE:** When the grass collection bag is not attached, the mulching plug must be inserted in the rear discharge opening.

1. Lift up the ejector flap.
2. Insert the mulching plug fully into the rear discharge opening and make sure it's seated securely (Fig. 13).



3. Release the ejector flap.

## Operation

This lawn mower is intended for private residential use to cut grass in small lawns and gardens. This lawn mower is not intended to cut grass in public parks, playing fields, farms or forests. Do not use this lawn mower for any application other than that for which it is intended.

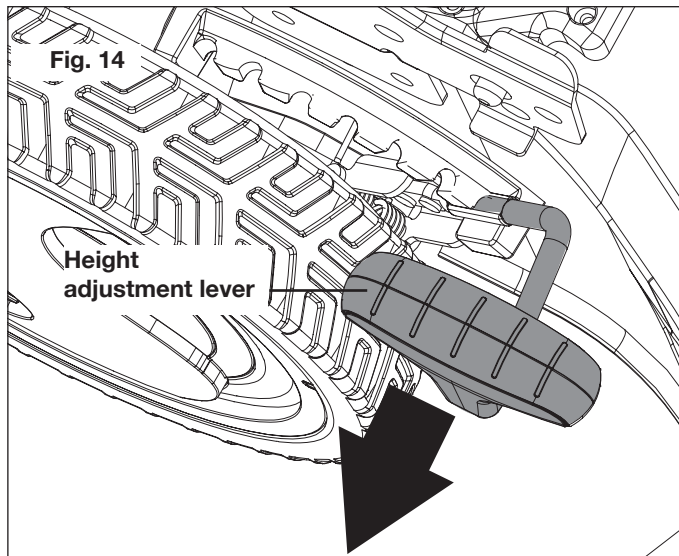
## Adjusting the Cutting Height

This cordless lawn mower is equipped with a 7-position height adjustment lever to tailor grass cutting heights from 1.2 in. to 3.75 in. (3 cm to 9.5 cm). To change the cutting height of the grass, follow the instructions below.

**⚠ WARNING!** Before making these adjustments, remove the battery and the safety key from the lawn mower and wait until the rotating blade has come to a complete standstill.

**ALWAYS FOLLOW ALL SAFETY PRECAUTIONS AND RECOMMENDATIONS LISTED PREVIOUSLY IN THIS MANUAL.**

1. Power off the lawn mower and remove the battery and the safety key.
2. Push the cutting height adjustment lever to the outside of the original slot (Fig. 14).



3. Insert the lever into the desired slot.

**7-Position Height Adjustment (From front to rear):**

- (1) 1.20 in. (30 mm)
- (2) 1.57 in. (40 mm)
- (3) 1.97 in. (50 mm)
- (4) 2.36 in. (60 mm)
- (5) 2.76 in. (70 mm)
- (6) 3.35 in. (85 mm)
- (7) 3.75 in. (95 mm)

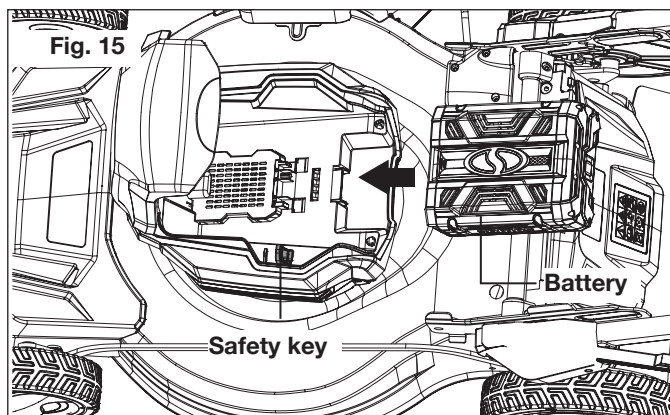
4. Reinsert the battery and the safety key to the lawn mower and resume normal use.

## Starting + Stopping

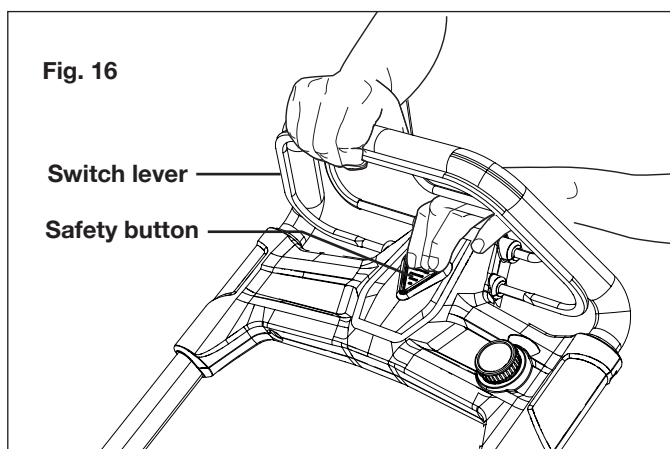
**⚠ WARNING!** Before switching on the mower, make sure that it is not in contact with any foreign objects. Keep your hands and feet a safe distance away from the rotating mower blade and the ejector opening. Failure to comply with these warnings can result in severe personal injury.

**IMPORTANT:** Do not start the mower in tall grass.

1. Make sure the unit's switch lever is not squeezed on. Insert the battery and the safety key in their slots (Fig. 15). Close the battery compartment cover.



2. To start the machine, press and hold the safety lock button while pulling the switch lever toward you (Fig. 16).



3. Once the machine powers on, release the safety lock button and proceed with operation.
4. To stop the mower, release the switch lever.

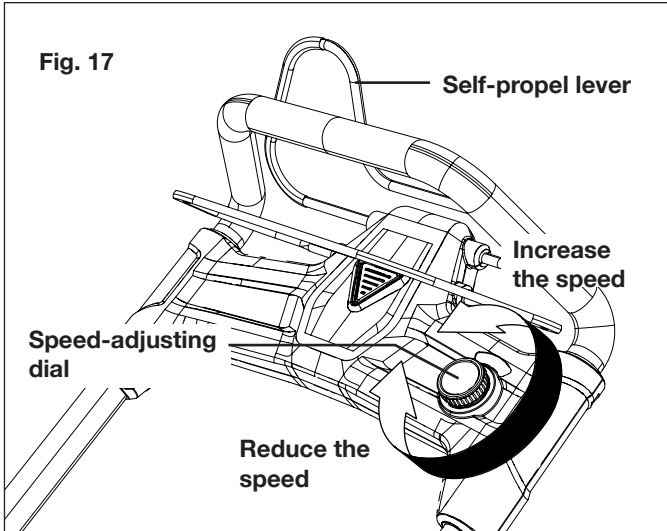
**⚠ WARNING!** The mower blade will continue to rotate for a brief period after the unit has been switched off. Do not tilt or carry the unit while the motor is still running and do not touch the blade while it is still rotating. Failure to comply could result in severe personal injury.

## Using the Self-Propelled System

The cordless lawn mower is equipped with a variable-speed self-propelled system, which is independent and can be operated without the blade rotation. For example, when you have completed cutting your lawn, you can use the self-propelled system to propel the mower back to your storage location without blade rotation. Or you may choose to operate the mower as a non-self-propelled mower to maximize battery run time.

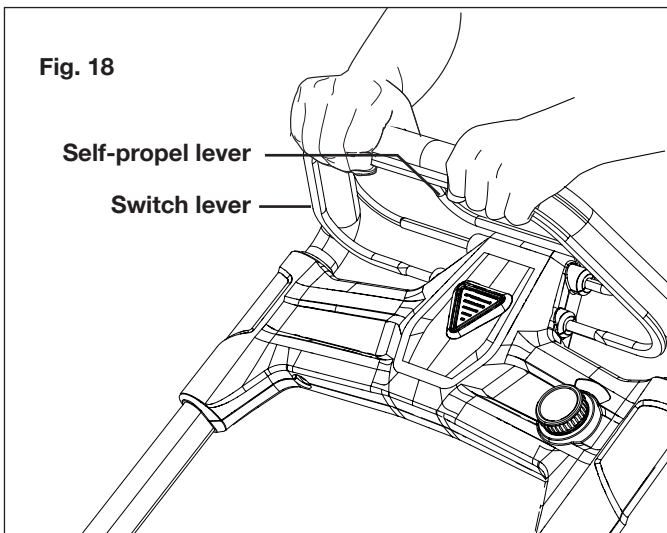
To operate the self-propelled system without blade rotation, push and hold the self-propel lever to the handle. To turn off the self-propel system, release the self-propel lever (Fig. 17).

The system has variable speeds. Adjust the speed by turning the speed-adjusting dial as shown (Fig. 17).



To operate the self-propelled system with the blade rotating for cutting:

1. Start the lawn mower as indicated by step 1 to step 3 in Starting + Stopping section.
2. While holding the switch lever against the handle with your left hand, push the self-propel lever to the handle with your right hand.
3. Proceed with operation with both hands holding the self-propel lever and the switch lever together with the soft grip (Fig. 18).



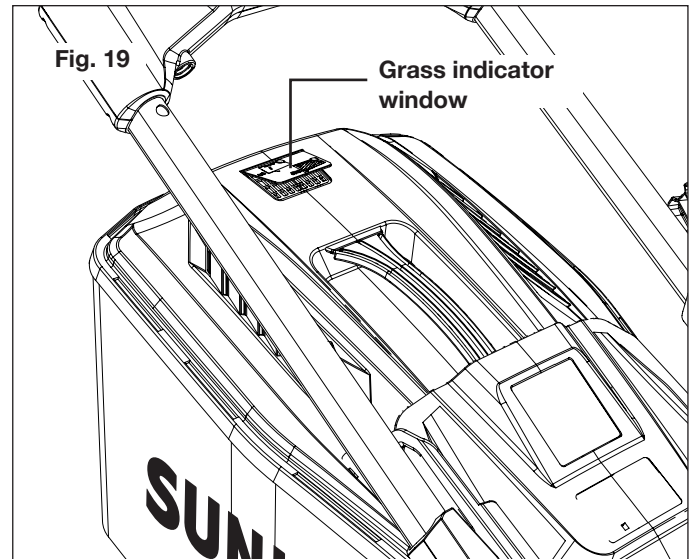
**NOTE:** When the self-propelled system is turned off, the lawn mower may lock itself from mowing backwards. In this case, simply push ahead slightly and then move the mower back as needed.

During operation, it may be easier to mow around an object with the self-propelled system turned off.

**⚠️ WARNING!** To reduce the risk of injury, never attempt to override the operation of the switch or self-propelled system. Use the self-propelled system for its intended purpose only.

## Grass Bag Filling Level Indicator

1. The grass bag is equipped with a filling level indicator window that is opened by the airflow that the lawn mower generates during operation (Fig. 18).
2. If the flap closes during mowing, this indicates that the grass bag is full and must be emptied (Fig. 19).



**NOTE:** To ensure that the filling level indicator functions properly, keep the holes under the flap clean and permeable.

## Mowing Tips

**⚠️ WARNING!** Inspect the area prior to mowing and remove all the stones, sticks, wires and other foreign objects that could be picked up and thrown by the rotating blade. Failure to comply not only will damage the mower blade, but can also lead to serious personal injury.

- Be sure to check the mowing blade periodically for signs of wear and replace as needed, as described in the maintenance section.
 

**NOTE:** A sharp blade will greatly enhance the performance of the mower, especially when cutting tall blades of grass.
- When cutting thick grass, reduce your walking speed/ self-propelled speed in order to allow for a more effective cut and a proper discharge of the clippings. For a healthy lawn, always cut off one-third or less from the total length of the grass. The average lawn should be approximately 1.5 in. to 2 in. (3.8 cm to 5 cm) long during cool months, and more than 2 in. (5 cm) long during hot months. If there is growth, the lawn should be cut in the fall.
- The lawn will look better if it is always cut to the same height and in alternate directions.
- When crossing any gravelled surfaces, release the switch bar lever to turn off the mower. The stones can be picked up and thrown by the rotating blade.
- Set the mower to the highest cutting height when mowing on uneven ground or in tall weeds.

**⚠️ WARNING!** If you strike a foreign object, stop the motor and remove the battery. Thoroughly inspect the mower and repair any damage before resuming work.

- **IMPORTANT!** Never open the ejector flap when the grass collection bag has been detached (to be emptied) and the motor is still running. A rotating blade can cause serious injuries!
- Always carefully fasten the ejector flap and grass collection bag. Switch off the motor before emptying the grass collection bag. Always ensure that a safe distance (provided by the length of the long handles) is maintained between the user and the mower housing. Be especially careful when mowing and changing direction on slopes and inclines.
- Maintain a solid footing and wear sturdy, non-slip footwear and long trousers. Always mow across an incline (not up and down).
- For safety reasons, the lawn mower may not be used to mow inclines with gradients exceeding 15 degrees.
- Use special caution when backing up and pulling the lawn mower towards you as such maneuvering of the machine poses a tripping hazard.
- For effective mulching, do not cut wet grass; it tends to stick to the underside of the deck, preventing the proper mulching of grass clippings. The best time to mow grass is in the late afternoon, when the grass is dry and the newly cut area will not be exposed to direct sunlight.
- For the best mulching performance, set the cutting height to remove approximately one third of the grass length, ideally no more than 1.5 in. at one time. If the grass is overgrown, it may be necessary to increase the cut height to make it easier to mow and to prevent overloading the motor. Slow your cutting pace in tall or thick grass conditions. For mulching extremely thick or tall grass, it is advisable to first cut at a high cut-height setting, and then re-cut to the final cut height. Otherwise, make narrower cuts and mow slowly. **ALWAYS MAKE SURE THAT THE BLADE IS SHARP**

## Maintenance + Care

**⚠️ WARNING!** Before cleaning, repairing or inspecting the mower, stop the machine, remove the battery and the safety key. Verify that all moving parts have come to a complete stop.

### General

- Always keep the mower clean and free of grass, dirt or other debris.
- Keep the handles dry, clean and free of oil and grease.
- After each cutting session, remove accumulated grass clippings and debris using either a dry cloth or handbrush. You may also clean the equipment with a damp cloth and some soft, non-abrasive soap. Do not use cleaning agents or harsh solvents as they may damage the equipment's plastic components. Make sure that no water penetrates the equipment's interior as intake of water can destroy the switch mechanism and the electric motor.

- Do not clean the lawn mower with running water, particularly with high-pressure water.
- Check all nuts, bolts and screws for proper tightness before each use.
- Frequently inspect the grass collection bag assembly for signs of wear and replace immediately with a genuine part if damage is found.
- Replace excessively worn or damaged parts immediately.
- To maximize your mower's longevity, all screwed parts, including the wheels and axles, should be cleaned and lubricated. There are no parts inside the equipment which require additional maintenance or lubrication.

## Blade Maintenance

**IMPORTANT:** The mower blade is sharp and can cause severe personal injury if handled incorrectly. Wrap the blade or wear protective gloves, and use extra caution when handling.

The steel blade is designed to provide a fine cut in long or tough grass. Deterioration in the quality of cut indicates blade wear or damage. Follow these steps to determine if the blade needs to be resharpened or replaced:

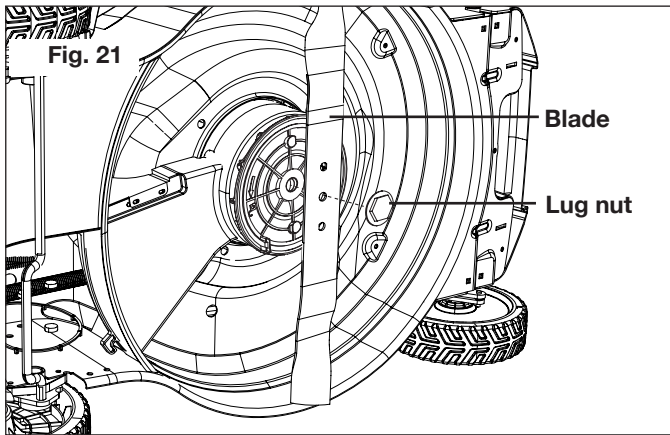
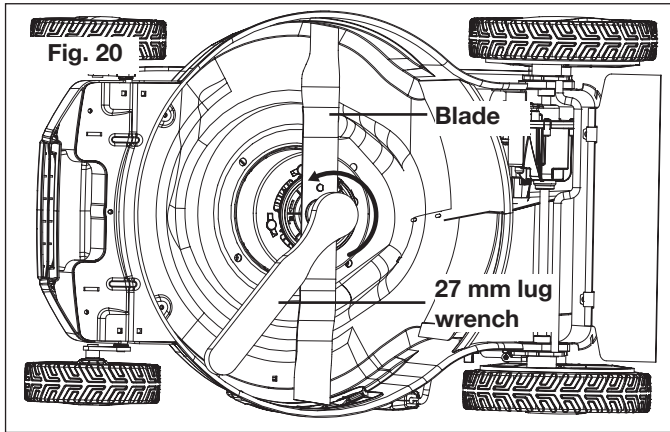
1. Disconnect the power supply to the mower by removing the batter and the safety key.
2. Turn the mower on its side to expose the underside of the blade housing.
3. Check the blade.
  - a. If the blade is blunt or has minor wear, then resharpen.
  - b. If the blade shows signs of major wear or damage (i.e. gouged, bent), replace.

**⚠️ WARNING!** An excessively vibrating mower indicates that the blade is not properly balanced or has become deformed from striking an object. In this case, the blade must be repaired or replaced. Please follow the proper maintenance procedures for blade care.

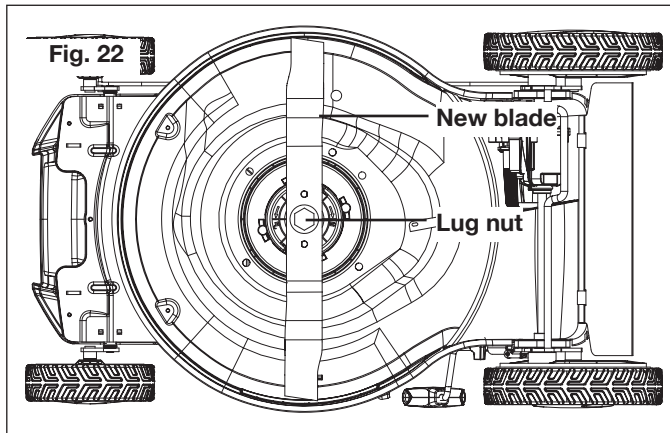
## Blade Replacement

**IMPORTANT:** Only use original replacement parts specified for this mower. The use of parts that do not meet the original equipment specifications may lead to improper performance of the lawn mower, may compromise operator safety.

1. Remove the battery and the safety key from the mower.
2. Turn the mower on its side to expose the underside of the blade housing.
3. Use a cloth to grip the blade or wear heavy-duty gloves.
4. Using a 27 mm lug wrench (not provided), remove the lug nut securing the blade by turning the lug nut counterclockwise, then carefully remove the blade (Figs. 20 to 21).



5. Fit the new blade on the same position and secure with the original lug nut (Fig. 22).

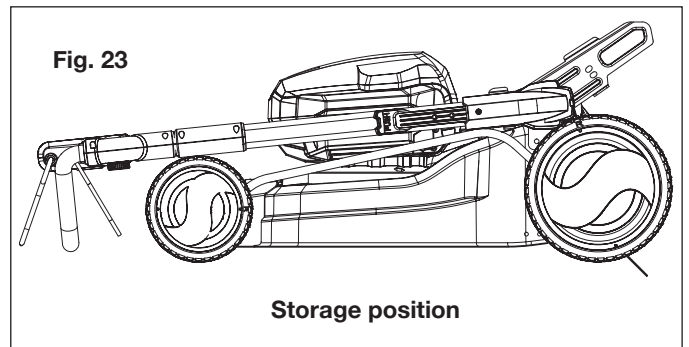


## Storage

Follow the steps below to prepare the lawn mower for storage:

1. Remove the battery and the safety key from the battery compartment.
2. Remove the grass collection bag. Engage the height adjustment lever in the lowest cutting height slot.
3. Clean the mower with a damp cloth or hand brush.

4. Inspect the mower carefully for worn, loose or damaged parts. Check connections and screws and tighten if necessary. Pay special attention to the mower blade and replace/sharpen if it shows signs of wear. Refer to the Maintenance and Care section.
5. Store the mower indoors in a dry, clean and cool area out of the reach of children. Do not store the unit next to corrosive materials, such as fertilizer and rock salt.
6. Do not cover the lawn mower with a solid plastic sheet. Plastic coverings trap moisture around the mower, which can damage the unit.
7. Press down the handle releasing button located on the middle bar of the handle frame, meanwhile push the upper handle frame to insert it into the lower handle frame.
8. Press and hold the handle latch. Gently pivot the handle frame toward the front of the mower until you hear and feel the handle frame locks in the storage position (Fig. 23).



## Disposal

### Recycling + Disposal

The product comes in a package that protects it against damage during shipping. Keep the package until you are sure that all parts have been delivered and the product is functioning properly. Recycle the package afterwards or keep it for long-term storage.



WEEE symbol. Waste electrical products should not be disposed of with household waste. Please recycle where facilities exist. Check with your local authority or local store for recycling regulations.

### Battery Caution + Disposal

Always dispose of your battery pack according to federal, state, and local regulations. Contact a recycling agency in your area for recycling locations.



**⚠️ CAUTION!** Even discharged battery packs contain some energy. Before disposing, use electrical tape to cover the terminals to prevent the battery pack from shorting, which could cause a fire or explosion.

**⚠️ WARNING!** To reduce the risk of injury or explosion, never burn or incinerate a battery pack even if it is damaged, dead or completely discharged. When burned, toxic fumes and materials are emitted into the surrounding atmosphere.

- 1. Batteries vary according to device. Consult your manual for specific information.
- 2. Install only new batteries of the same type in your product (where applicable).
- 3. Failure to insert batteries in the correct polarity, as indicated in the battery compartment or manual, may shorten the life of the batteries or cause batteries to leak.
- 4. Do not mix old and new batteries.
- 5. Do not mix Alkaline, Standard (Carbon-Zinc) or Rechargeable (Nickel Cadmium, Nickel Metal Hydride, or Lithium-Ion) batteries.
- 6. Do not dispose of batteries in fire.
- 7. Batteries should be recycled or disposed of as per state and local guidelines.

## Service + Support

If your Sun Joe® iON100V-21LM cordless lawn mower requires service or maintenance, please call 1-866-SNOWJOE (1-866-766-9563) for assistance.

## Model + Serial Numbers

When contacting the company or reordering parts, you will need to provide the model and serial numbers of your product. These are found on the decal affixed to the housing or handle of your mower. Copy these numbers into the space provided below.

**Record the following numbers from the housing or handle of your new product:**

Model #: | i | O | N | 1 | 0 | 0 | V | - | 2 | 1 | L | M | | | | | | | | | | | | |

Serial #: | | | | | | | | | | | | | | | | | | | | | | | | | | |



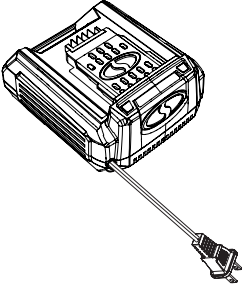
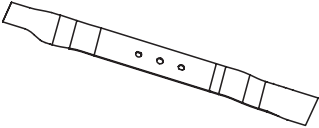
# Troubleshooting

- Remove the battery and the safety key before carrying out maintenance on the machine or when checking that its parts are in proper working order.
- To avoid unnecessary hassles, consult the following table before contacting a qualified repair person with any mechanical issues.

Fault	Possible Cause	Remedy
Mower fails to start	<ul style="list-style-type: none"> <li>a) The safety key is not inserted</li> <li>b) The battery is flat</li> <li>c) The battery is not inserted securely</li> <li>d) The motor/blade control is disengaged</li> <li>e) The mower deck is clogged with grass or debris</li> <li>f) The grass is too tall</li> </ul>	<ul style="list-style-type: none"> <li>a) Insert the safety key</li> <li>b) Charge the battery</li> <li>c) Attach the battery pack to the mower; press it until you hear a click.</li> <li>d) Press safety lock button first ,then the switch lever</li> <li>e) Clean the mower deck. Make sure the blade is free to move</li> <li>f) Set the mower to a high cutting height. Lift the front wheels slightly by pressing down on the handle bar.</li> </ul>
Mower stops while mowing	<ul style="list-style-type: none"> <li>a) The battery is flat</li> <li>b) The grass is too tall</li> <li>c) The mower deck is clogged with grass or debris</li> <li>d) The battery or the mower circuitry is too hot</li> </ul>	<ul style="list-style-type: none"> <li>a) Charge the battery</li> <li>b) Reset the cutting height</li> <li>c) Clean the mower deck. Make sure the blade is free to move</li> <li>d) Cool down the battery and the machine</li> </ul>
The mower cannot cut grass evenly	<ul style="list-style-type: none"> <li>a) The lawn is rough or uneven</li> <li>b) The blade is not sharp enough</li> </ul>	<ul style="list-style-type: none"> <li>a) Adjust cutting height</li> <li>b) Sharpen or replace the blade</li> </ul>
The mower cannot mulch properly	<ul style="list-style-type: none"> <li>a) The mower deck is clogged with grass or debris</li> <li>b) The grass is too wet</li> <li>c) The grass is too tall</li> <li>d) The blade is not sharp enough</li> </ul>	<ul style="list-style-type: none"> <li>a) Clean the mower deck. Make sure the blade is free to move</li> <li>b) Wait until the grass is dry</li> <li>c) Adjust the cutting height to the high position to mow for the first time, and mow again at the desired height setting</li> <li>d) Sharpen or replace the blade</li> </ul>
The mower is difficult to push	<ul style="list-style-type: none"> <li>a) The grass is too tall to cut</li> <li>b) The blade or the mower rear is dragged by heavy grass</li> </ul>	<ul style="list-style-type: none"> <li>a) Adjust cutting height higher</li> </ul>
The mower is vibrating at high speed	<ul style="list-style-type: none"> <li>a) The motor shaft is bent</li> <li>b) The blade is unbalanced</li> <li>c) The blade lug nut is loose</li> </ul>	<ul style="list-style-type: none"> <li>a) Stop the motor, remove the battery, and inspect the damage. Contact with a qualified repair person.</li> <li>b) Balance the blade by grinding each cutting edge equally or replace a new one</li> <li>c) Tighten the blade lug nut</li> </ul>

# Optional Accessories

**⚠️ WARNING!** ALWAYS use only authorized Snow Joe® + Sun Joe® replacement parts and accessories. NEVER use replacement parts or accessories that are not intended for use with this tool. Contact Snow Joe® + Sun Joe® if you are unsure whether it is safe to use a particular replacement part or accessory with your tool. The use of any other attachment or accessory can be dangerous and could cause injury or mechanical damage.

Accessories	Item	Model
	100V 2.5 Ah Lithium-Ion Battery <i>Battery Charge Time Max: 50 min</i> <i>Battery Runtime Max: 25 min (cuts up to 8,235 sq ft of grass)</i>	iON100V-2.5AMP
	100V 5.0 Ah Lithium-Ion Battery <i>Battery Charge Time Max: 1 hr 40 min</i> <i>Battery Runtime Max: 50 min (cuts up to 16,470 sq ft of grass)</i>	iON100V-5AMP
	100V Battery Quick Charger	iON100V-RCH
	Cutting blade replacement	iON100V-21LM-BLD

**NOTE:** Accessories are subject to change without any obligation on the part of Snow Joe® + Sun Joe® to provide notice of such changes. Accessories can be ordered online at [sunjoe.com](http://sunjoe.com) or via phone by contacting the Snow Joe® + Sun Joe® customer service center at 1-866-SNOWJOE (1-866-766-9563).



## SNOW JOE® + SUN JOE® CUSTOMER PROMISE

**ABOVE ALL ELSE**, Snow Joe, LLC (“Snow Joe”) is dedicated to you, our customer. We strive to make your experience as pleasant as possible. Unfortunately, there are times when a Snow Joe®, Sun Joe®, or Aqua Joe® product (“Product”) does not work or breaks under normal operating conditions. We think it’s important that you know what you can expect from us. That’s why we have a Limited Warranty (“Warranty”) for our Products.

---

### **OUR WARRANTY:**

Snow Joe warrants new, genuine, powered and non-powered Products to be free from defects in material or workmanship when used for ordinary household use for a period of two years from the date of purchase by the original, end-user purchaser when purchased from Snow Joe or from one of Snow Joe’s authorized sellers with proof of purchase. Because Snow Joe is unable to control the quality of its Products sold by unauthorized sellers, unless otherwise prohibited by law, this Warranty does not cover Products purchased from unauthorized sellers. If your Product does not work or there’s an issue with a specific part that is covered by the terms of this Warranty, Snow Joe will elect to either (1) send you a free replacement part, (2) replace the Product with a new or comparable product at no charge, or (3) repair the Product. How cool is that!

**This Warranty gives you specific legal rights, and you may also have other rights which vary from State to State.**

### **PRODUCT REGISTRATION:**

Snow Joe strongly encourages you to register your Product. You can register online at [snowjoe.com/register](https://snowjoe.com/register), or by printing and mailing in a registration card available online from our website, or calling our Customer Service Department at **1-866-SNOWJOE (1-866-766-9563)**, or by e-mailing us at [help@snowjoe.com](mailto:help@snowjoe.com). Failure to register your Product will not diminish your warranty rights. However, registering your Product will allow Snow Joe to better serve you with any of your customer service needs.

### **WHO CAN SEEK LIMITED WARRANTY COVERAGE:**

This Warranty is extended by Snow Joe to the original purchaser and original owner of the Product.

### **WHAT IS NOT COVERED?**

This Warranty does not apply if the Product has been used commercially or for non-household or rental applications. This Warranty also does not apply if the Product was purchased from an unauthorized seller. This Warranty also does not cover cosmetic changes that do not affect performance. Wearing parts like belts, augers, chains and tines are not covered under this Warranty, and can be purchased at [snowjoe.com](https://snowjoe.com) or by calling **1-866-SNOWJOE (1-866-766-9563)**.