



CORDLESS SNOW BLOWER

100V MAX* | 5.0 Ah EACH | 24-INCH | SELF-PROPELLED | 2-STAGE

OPERATOR'S MANUAL

A Division of Snow Joe®, LLC

Model iON100V-24SB


Form No. SJ-iON100V-24SB-880E-M

IMPORTANT! Safety Instructions

All Operators Must Read These Instructions Before Use

Read all instructions when using cordless snow blowers. Basic safety precautions should always be followed to reduce the risk of fire, electric shock, and personal injury.

General Safety Rules

Notice the personal safety alert symbol  used in this manual to draw your attention to a **WARNING** given along with the particular operating instruction. This means that the operation requires special **ATTENTION**, **CAUTION**, and **AWARENESS**.

- **Keep work area clean and well lit** – Cluttered, dark areas invite accidents.
- **Use the right product** – Do not use this machine for any job except that for which it is intended.
- **⚠CAUTION!** – Exercise caution to avoid slipping or falling. Wear protective footwear that will protect your feet and improve your footing on slippery surfaces.
- **Use safety glasses** – Also use safety footwear, snug-fitting clothing, protective gloves, hearing and head protection.
- **Stay alert** – Watch what you are doing. Use common sense. Do not operate the snow blower when you are tired or under the influence of alcohol or drugs.
- **Store indoors** – When not in use, the snow blower should be kept dry and stored out of the reach of children in a high or locked place.
- **Maintain snow blower with care** – Follow instructions for lubricating and changing accessories.

⚠WARNING! Always disengage both triggers, and disconnect the battery packs; wait for all movement to stop before making any adjustments, inspecting, servicing, changing accessories, cleaning the snow blower, or when any other dangerous conditions present. Any such operation should be performed after revolving parts inside the snow blower stop completely. Such preventive safety measures reduce the risk of starting the power tool accidentally.

⚠WARNING! When replacing any parts, you must strictly observe the instructions and procedures described in this user manual. Special care should be paid to any rubber parts, since these parts may increase the engine load and decrease its mechanical power if damaged.

⚠WARNING! If you notice that the snow blower is not running properly or hear abnormal sounds from the engine when it is in use, immediately stop the machine, disconnect the battery packs, and contact Snow Joe® + Sun Joe® customer service center at 1-866-SNOWJOE (1-866-766-9563).

- **Moving parts present risks** – Keep your face, hair, clothing, hands, and feet away from moving parts. All guards and safety attachments must be installed properly before using the unit. Shut off and disconnect the battery packs before touching any parts other than the handles and switch.

Electric Safety

⚠WARNING! Read all safety warnings and instructions. Failure to follow the warnings and instructions may result in electric shock, fire and/or serious injury.

1. Recharge only with the charger specified by the manufacturer. A charger that is suitable for one type of battery pack may create a risk of fire when used with another battery pack.
2. Use appliances only with specifically designated battery packs. Use of any other battery packs may create a risk of injury and fire.
3. When the battery packs are not in use, keep them away from other metal objects, like paper clips, coins, keys, nails, screws or other small metal objects, that can make a connection from one terminal to another. Shorting the battery terminals together may cause burns or a fire.
4. Under abusive conditions, liquid may be ejected from the batteries; avoid contact. If contact accidentally occurs, flush with water. If liquid contacts eyes, additionally seek medical help. Liquid ejected from the battery may cause irritation or burns.
5. Do not use a battery pack or appliance that is damaged or modified. Damaged or modified batteries may exhibit unpredictable behavior resulting in fire, explosion or risk of injury.

6. Do not expose battery packs or appliance to fire or excessive temperature. Exposure to fire or temperature above 265°F (130°C) may cause explosion.
7. Follow all charging instructions and do not charge the battery packs or appliance outside of the temperature range specified in the instructions. Charging improperly or at temperatures outside of the specified range may damage the battery and increase the risk of fire.
8. Do not modify or attempt to repair the appliance or the battery packs (as applicable) except as indicated in the instructions for use and care.

For all Snow Blowers

- Do not use on graveled surfaces unless the snow blower is adjusted for such a surface in accordance with the manual.
- Keep children away. All visitors should be kept a safe distance from work area.
- Dress properly. Do not wear loose clothing or jewelry. They can be caught in moving parts.
- Wear rubber boots when operating the snow blower.
- Operation of the snow blower in the hand-held position is unsafe, except in accordance with the special instructions for such use provided in the operator's manual.
- Prevent unintentional starting – Ensure the switch is in the off-position before connecting to battery packs, picking up or carrying the appliance. Carrying the appliance with your finger on the switch or energizing appliance that have the switch on invites accidents.
- Disconnect the battery packs from the appliance before making any adjustments, changing accessories, or storing appliance. Such preventive safety measures reduce the risk of starting the appliance accidentally.
- Keep hands away from moving parts.
- Keep guards in place and in working order.
- Do not force the snow blower. Use the snow blower at the rate for which it was designed to ensure optimal performance and safe operation.
- Do not overreach. Keep proper footing and balance at all times.

⚠ WARNING! If the snow blower strikes any object, follow these steps:

- i) Stop the snow blower and remove the battery packs.
- ii) Inspect for damage.
- iii) Repair any damage before restarting and operating the snow blower.

For Walk-behind Snow Blowers

This snow blower is capable of amputating hands and feet and throwing objects. Failure to observe the following safety instructions could result in serious injury.

Training

1. Read, understand and follow all instructions on the machine and in the manual before operating this unit. Be thoroughly familiar with the controls and the proper use of the equipment. Know how to stop the unit and disengage the controls quickly.
2. Never allow children to operate the equipment. Never allow adults to operate the equipment without proper instruction.
3. Keep the area of operation clear of all persons, particularly small children.
4. Exercise caution to avoid slipping or falling. Especially when operating the snow blower in reverse.

Preparation

1. Thoroughly inspect the area where the equipment is to be used and remove all doormats, sleds, boards, wires, and other foreign objects.
2. Do not operate the equipment without wearing adequate winter garments. Avoid loose fitting clothing that can get caught in moving parts. Wear footwear that will improve footing on slippery surfaces.
3. Never attempt to make any adjustment while the motor is running, except when specifically recommended by manufacturer.
4. Always wear safety glasses or eye shields during operation or while performing an adjustment or repair to protect eyes from foreign objects that may be thrown from the machine.

Operation

1. Do not put hands or feet near or under rotating parts. Keep clear of the discharge opening at all times.
2. Exercise extreme caution when operating on or crossing gravel drives, walks, or roads. Stay alert for hidden hazards or traffic.
3. After striking a foreign object, stop the motor, remove the batteries, thoroughly inspect the snow blower for any damage, and repair the damage before restarting and operating the snow blower.
4. If the unit start to vibrate abnormally, stop the motor and check immediately for the cause. Vibration is generally a warning of trouble.
5. Stop the motor whenever you leave the operating position, before unclogging the auger/impeller housing or discharge chute, and when making any repairs, adjustments or inspection.

6. When cleaning, repairing, or inspecting the snow blower, stop the motor and make sure the auger/impeller and all moving parts have stopped.
7. Do not run the motor indoors, except when starting the motor and for transporting the snow blower in or out of the building. Open the outside doors. Exhaust fumes are dangerous.
8. Exercise extreme caution when operating on slopes.
9. Never operate the snow blower without proper guards and other safety protective devices in place and working.
10. Never direct the discharge toward people or areas where property damage can occur. Keep children and others away.
11. Do not overload the machine at high transport speeds on slippery surfaces. Look behind and use care when operating in reverse.
12. Do not overload the machine capacity by attempting to clear snow at too fast a rate.
13. Disengage the power to the auger/impeller when snow blower is transported or not in use.
14. Use only attachment and accessories approved by the manufacturer of the snow blower.
15. Never operate the snow blower without good visibility or light. Always be sure of your footing, and keep a firm hold on the handle. Walk; Never run.
16. Never touch a hot motor.

Clearing a Clogged Discharge Chute

⚠️ WARNING! Rotating blades can cause serious injury. Never attempt to unclog or clean unit while auger is running.

Hand contact with the rotating impeller/auger inside the discharge chute is the most common cause of injury associated with snow blowers. Never use your hand to clean out the discharge chute.

To clean the chute:

1. SHUT THE MOTOR OFF AND REMOVE THE BATTERY PACKS.
2. Wait 10 seconds to be sure the auger blades have stopped completely.
3. Use the equipped chute clean-out tool to clear the blockage.

Maintenance and Storage

1. Check shear bolts and other bolts at frequent intervals for proper tightness to be sure the equipment is in safe working condition.
2. Always refer to the operator's manual for important details if the snow blower is to be stored for an extended period.
3. Maintain or replace safety and instruction labels, as necessary.
4. Run the machine a few minutes after plowing snow to prevent freeze-up of the auger/impeller.

Battery + Charger Safety Instructions

We pay a great deal of attention to the design of every battery pack to ensure that we supply you with batteries that are safe, durable and have a high energy density. The battery cells have a wide range of safety devices. Each individual cell is initially formatted and its electrical characteristic curves are recorded. This data is then used exclusively to be able to assemble the best possible battery packs.

Despite all the safety precautions, caution must always be exercised when handling batteries. The following points must be obeyed at all times to ensure safe use. Safe use can only be guaranteed if undamaged cells are used. Incorrect handling of the battery packs can cause cell damage.

IMPORTANT! Analyses confirm that incorrect use and poor care of high-performance batteries are the main factors responsible for personal and/or product damage.

⚠️ WARNING! Use only approved replacement batteries; other batteries may damage the cordless snow blower and cause it to malfunction, which can lead to serious personal injury.

⚠️ CAUTION! To reduce the risk of injury, charge the iON100V-5AMP lithium-ion battery packs only in the designated lithium-ion charger, the iON100V-RCH. Other types of chargers present risk of fire, personal injury and damage. Do not wire a battery pack to a power supply plug or car cigarette lighter. Such misuse will permanently disable or damage the battery pack.

- **Avoid dangerous environments** – Do not charge the battery packs in rain, snow or in damp or wet locations. Do not use the battery packs or charger in the presence of explosive atmospheres (gaseous fumes, dust or flammable materials) because sparks may be generated when inserting or removing the battery pack, which could lead to a fire.
- **Charge in a well-ventilated area** – Do not block the charger vents. Keep them clear to allow for proper ventilation. Do not allow smoking or open flames near a charging battery pack. Vented gases may explode.

NOTE: The safe temperature range for the battery is 32°F (0°C) to 104°F (40°C). Do not charge the battery outside in freezing weather; charge it at room temperature.

- **Maintain charger cord** – When unplugging the charger, pull the plug, not the cord, from the receptacle to reduce the risk of damage to the electrical plug and cord. Never carry the charger by its cord or yank it by the cord to disconnect it from the receptacle. Keep the cord away from heat, oil and sharp edges. Make sure the cord will not be stepped on, tripped over or subjected to damage or stress when the charger is in use. Do not use the charger with a damaged cord or plug. Replace a damaged charger immediately.
- **Do not use an extension cord unless it is absolutely necessary** – Using the wrong, damaged or improperly

wired extension cord poses a risk of fire and electric shock. If an extension cord must be used, plug the charger into a properly wired 18 gauge or larger extension cord with the female plug matching the male plug on the charger. Make sure that the extension cord is in good electrical condition.

- **Charger iON100V-RCH is rated for 100 – 120 volt AC only** – The charger must be plugged into an appropriate receptacle.
- **Use only recommended attachments** – Use of an attachment not recommended or sold by the battery charger or battery pack manufacturer may result in risk of fire, electric shock or personal injury.
- **Unplug charger when not in use** – Make sure to remove battery pack from unplugged chargers.

⚠ WARNING! To reduce the risk of electric shock, always unplug the charger before performing any cleaning or maintenance. Do not allow water to flow into the charger. Use a Ground Fault Circuit Interrupter (GFCI) to reduce shock hazards.

- **Do not burn or incinerate battery packs** – Battery packs may explode, causing personal injury or damage. Toxic fumes and materials are created when battery packs are burned.
- **Do not crush, drop or damage battery packs** – Do not use the battery packs or charger if they have sustained a sharp blow, been dropped, run over or have been damaged in any way (i.e. pierced with a nail, hit with a hammer, stepped on, etc.).
- **Do not disassemble** – Incorrect reassembly may pose a serious risk of electric shock, fire or exposure to toxic battery chemicals. If the battery or charger are damaged, contact an authorized Snow Joe® + Sun Joe® dealer or call the Snow Joe® + Sun Joe® customer service center at 1-866-SNOWJOE (1-866-766-9563) for assistance.
- **Battery chemicals cause serious burns** – Never let a damaged battery pack contact the skin, eyes or mouth. If a damaged battery pack leaks battery chemicals, use rubber or neoprene gloves to safely dispose of it. If skin is exposed to battery fluids, wash the affected area with soap and water and rinse with vinegar. If eyes are exposed to battery chemicals, immediately flush with water for 20 minutes and seek medical attention. Remove and dispose of contaminated clothing.
- **Do not short circuit** – A battery pack will short circuit if a metal object makes a connection between the positive and negative contacts on the battery pack. Do not place a battery pack near anything that may cause a short circuit, such as paper clips, coins, keys, screws, nails and other metallic objects. A short-circuited battery pack poses a risk of fire and severe personal injury.
- **Store your battery packs and charger in a cool, dry place** – Do not store the battery packs or charger where temperatures may exceed 104°F (40°C), such as in direct sunlight or inside a vehicle or metal building during the summer.

Information about the batteries

1. The battery packs supplied with your cordless snow blower are only partially charged. The battery packs have to be charged completely before you use the tool for the first time.
2. For optimum battery performance, avoid low discharge cycles by charging the battery packs frequently.
3. Store the battery packs in a cool place, ideally at 59°F (15°C) and charged to at least 40%.
4. Lithium-ion batteries are subject to a natural aging process. The battery pack must be replaced at the latest when its capacity falls to just 80% of its capacity when new. Weakened cells in an aged battery pack are no longer capable of meeting the high power requirements needed for the proper operation of your snow blower, and therefore pose a safety risk.
5. Do not throw battery packs into an open fire as this poses a risk of explosion.
6. Do not ignite the battery packs or expose them to fire.
7. Do not exhaustively discharge batteries. Exhaustive discharge will damage the battery cells. The most common cause of exhaustive discharge is lengthy storage or non-use of partially discharged batteries. Stop working as soon as the performance of the battery falls noticeably or the electronic protection system triggers. Place the battery packs in storage only after it has been fully charged.
8. Protect batteries and the tool from overloads. Overloads will quickly result in overheating and cell damage inside the battery housing even if this overheating is not apparent externally.
9. Avoid damage and shocks. Immediately replace batteries that have been dropped from a height of more than one meter or those that have been exposed to violent shocks, even if the housing of the battery pack appears to be undamaged. The battery cells inside the battery may have suffered serious damage. In such instances, please read the waste disposal information for proper battery disposal.
10. If the battery packs suffer overloading and overheating, the integrated protective cutoff will switch off the equipment for safety reasons.
IMPORTANT! Do not press the ON/OFF switch any more if the protective cut-off has been activated. This may damage the battery packs.
11. Use only original battery packs. The use of other batteries poses a fire risk and may result in injuries or an explosion.

Information about the charger and the charging process

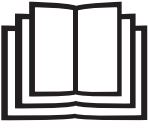












1. Please check the data marked on the rating plate of the battery charger. Be sure to connect the battery charger to a power supply with the voltage marked on the rating plate. Never connect it to a different mains voltage.
2. Protect the battery charger and its cord from damage. Keep the charger and its cord away from heat, oil and sharp edges. Have damaged cords repaired without delay by a qualified technician at an authorized Snow Joe® + Sun Joe® dealer or call the Snow Joe® + Sun Joe® customer service center at 1-866-SNOWJOE (1-866-766-9563).
3. Electrical plugs must match the outlet. Never modify the plug in any way. Do not use any adapter plugs with grounded appliances. Unmodified plugs and matching outlets will reduce the risk of electric shock.
4. Keep the battery charger, battery packs and the cordless tool out of the reach of children.
5. Do not use the supplied battery charger to charge other cordless tools.
6. During periods of heavy use, the battery packs will become warm. Allow the battery packs to cool to room temperature before inserting into the charger to recharge.
7. Do not overcharge batteries. Do not exceed the maximum charging times. These charging times only apply to discharged batteries. Frequent insertion of a charged or partially charged battery pack will result in overcharging and cell damage. Do not leave batteries in the charger for days on end.
8. Never use or charge batteries if you suspect that they have been more than 12 months since the last time they were charged. There is a high probability that the battery pack has already suffered dangerous damage (exhaustive discharge).
9. Charging batteries at a temperature below 32°F (0°C) will cause chemical damage to the cells and may cause a fire.
10. Do not use batteries that have been exposed to heat during the charging process, as the battery cells may have suffered dangerous damage.
11. Do not use batteries that have suffered curvature or deformation during the charging process or those that exhibit other atypical symptoms (gassing, hissing, cracking, etc.)
12. Never fully discharge the battery packs (maximum recommended depth of discharge is 80%). A complete discharge of the battery pack will lead to premature aging of the battery cells.

Protection from environmental influences

1. Wear suitable work clothes. Wear safety goggles.
2. Protect your cordless tool and the battery charger from moisture and rain. Moisture and rain can cause dangerous cell damage.
3. Do not use the cordless tool or the battery charger near vapors and flammable liquids.
4. Use the battery charger only in dry conditions and at an ambient temperature of 32°F – 104°F (0°C – 40°C).
5. Do not keep the battery charger in places where the temperature is liable to reach over 104°F (40°C). In particular, do not leave the battery charger in a car that is parked in the sunshine.
6. Protect batteries from overheating. Overloads, overcharging and exposure to direct sunlight will result in overheating and cell damage. Never charge or work with batteries that have been overheated – replace them immediately, if possible.
7. Store the charger and your cordless tool only in dry locations with an ambient temperature of 50°F – 104°F (10°C – 40°C). Store your lithium-ion battery packs in a cool, dry place at a temperature of 50°F – 68°F (10°C – 20°C). Protect the battery packs, charger and cordless tool from humidity and direct sunlight. Only place fully charged batteries in storage (charged to at least 40%).
8. Prevent the lithium-ion battery packs from freezing. Battery packs that were stored below 32°F (0°C) for more than 60 minutes must be discarded.
9. When handling batteries, be wary of electrostatic charge. Electrostatic discharges can damage the electronic protection system and the battery cells. Avoid electrostatic charging and never touch the battery poles.

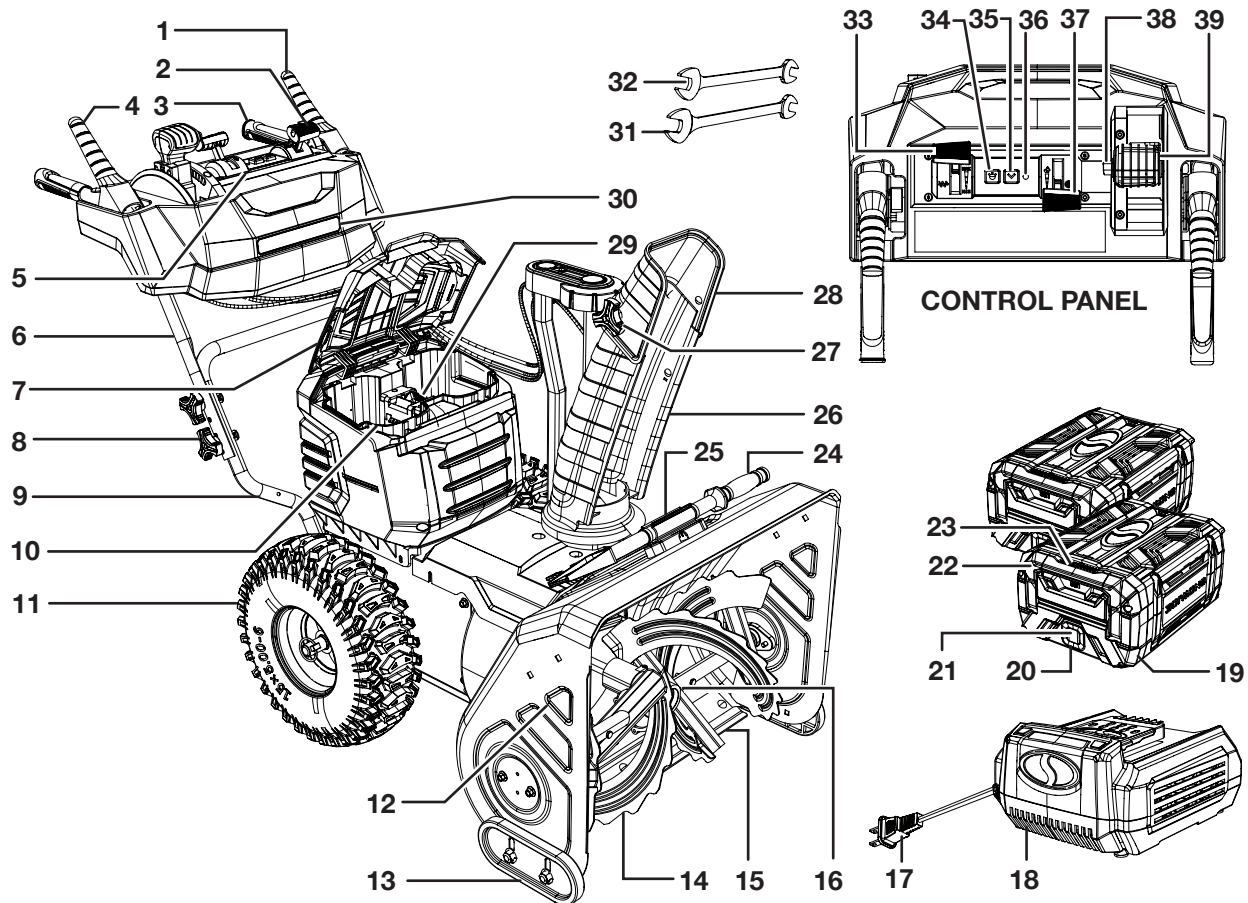
Safety Symbols

The following table depicts and describes safety symbols that may appear on this product. Read, understand and follow all instructions on the machine before attempting to assemble and operate.

Symbols	Descriptions	Symbols	Descriptions
	READ THE OPERATOR'S MANUAL(S) – Read, understand and follow all instructions in the user manual(s) before attempting to assemble and operate.		WARNING! Do not expose the unit to rain or wet conditions. Keep dry.
	SAFETY ALERT – Indicates a precaution, a warning or a danger.		DANGER! Cutting/dismemberment hazard - Keep feet away from the rotating auger.
	Wear hearing protection. Wear eye protection. Wear breathing protection.		CAUTION! Beware of stones and other foreign objects that could be thrown from the appliance.
	Keep hands, feet and clothing away from the rotating auger to avoid injury.		The rotating part will continuously run for several seconds after you turn off the machine.
	Wear protective gloves and non-slip footwear when using the machine and handling debris.		Keep bystanders and children a safe distance (at least 33 ft/10 m) away from the work area.
	Do not use hands to unclog chute.		DANGER! Cutting/dismemberment hazard – Keep hands away from the rotating auger. Do not use hands to unclog rotor housing. Stop motor before removing debris.
	Indoor use only. Only use battery charger indoors.		

Know Your Cordless Snow Blower

Read the owner's manual and safety rules carefully before operating your cordless snow blower. Compare the illustration below to the actual unit in order to familiarize yourself with the location of the various controls and adjustments. Save this manual for future reference.



- | | | |
|------------------------------|--|--|
| 1. Auger trigger | 15. Scraper blade | 28. Chute deflector |
| 2. Safety switch | 16. Auger gearcase | 29. Battery releasing buttons (2) |
| 3. Handle grips (2) | 17. Charger plug | 30. LED window |
| 4. Drive trigger | 18. iON100V-RCH battery quick charger | 31. 13 mm open end wrench (with 10 mm end) |
| 5. Control panel | 19. iON100V-5AMP lithium-iON batteries (2) | 32. 12 mm open end wrench (with 10 mm end) |
| 6. Upper handle assembly | 20. Battery indicator | 33. Auger speed control lever |
| 7. Battery compartment cover | 21. Push button for battery indicator | 34. LED switch |
| 8. Handle knob + bolt (4) | 22. Battery handle | 35. Reverse button |
| 9. Lower handle | 23. 0.35 watt LED light | 36. Reverse indicator LED |
| 10. Battery compartment | 24. Chute clean-out tool | 37. Drive speed lever |
| 11. Wheels (2) | 25. Mounting clip | 38. Discharge chute lock button |
| 12. Auger housing | 26. Discharge chute | 39. Discharge chute control lever |
| 13. Skid shoes (2) | 27. Chute deflector knobs (2) | |

NOTE!

The snow blower can only be powered by two 100V 5.0 Ah batteries (included). Do not use batteries with lower capacity, which will be overheated easily due to the high working current of this machine.

Technical Data

Motors	Plowing motor: 4000 W brushless Drive motor: 500 W brushless
Battery Voltage* Max	100 V D.C.
Battery Capacity.....	5.0 Ah (each)
Battery Run Time Max	25 min <i>Clears up to 3,215 sq ft of 3" snow</i>
Charger Input	100 – 120 V AC, 50 – 60 Hz, 520 W
Charger Output	100 V DC 4 A
Charging Time Max	1 hr 40 mins each (for full charge)
No Load Speed	Auger: 116 rpm to 143 rpm Impeller: 1200 rpm to 1522 rpm
Auger	2 serrated steel blades
Clearing Width	24 in. (61 cm)
Depth of Snow Cut	17.5 in. (44.5 cm)
Throw Distance Max	40 ft (12 m)
Plowing Capacity Max	1720 lbs/min (780 kg/min)
Stages	Dual stage
Drive Type	Self-propelled
Type of Snow	Light, fluffy
Tire	15 inch (38 cm) knobby tracassist snow tires
Tire Pressure	20 psi
Directional Control	180° auto-rotate chute
Light	Six 3 watt LED lights
Weight (snow blower alone)	127.2 lbs (57.7 kg)
Weight	141 lbs (64 kg) (snow blower with batteries installed)

*Initial no-load voltage, when fully charged, peaks at 100 volts; nominal voltage under typical load is 86.4 volts.

Unpacking

Carton Contents:

- Cordless snow blower with lower handle
- Upper handle assembly
- Discharge chute assembly
- Handle knob (4) + bolt (4)
- Chute nuts (2)
- Cord clip
- Open end wrenches (2)
- iON100V-5AMP lithium-ion batteries (2)
- iON100V-RCH battery quick charger
- Manuals with registration card

1. Carefully remove the cordless snow blower and check to see that all of the above items are supplied.
2. Inspect the product carefully to make sure no breakage or damage occurred during shipping. If you find damaged or missing parts, DO NOT return the unit to the store. Please call the Snow Joe® + Sun Joe® customer service center at 1-866-SNOWJOE (1-866-766-9563).

NOTE: Do not discard the shipping carton and packaging material until you are ready to use the cordless snow blower. The packaging is made of recyclable materials. Properly dispose of these materials in accordance with local regulations or save the packaging for long-term product storage.

IMPORTANT! The equipment and packaging material are not toys. Do not let children play with plastic bags, foils or small parts. These items can be swallowed and pose a suffocation risk!

Battery Pack Operation

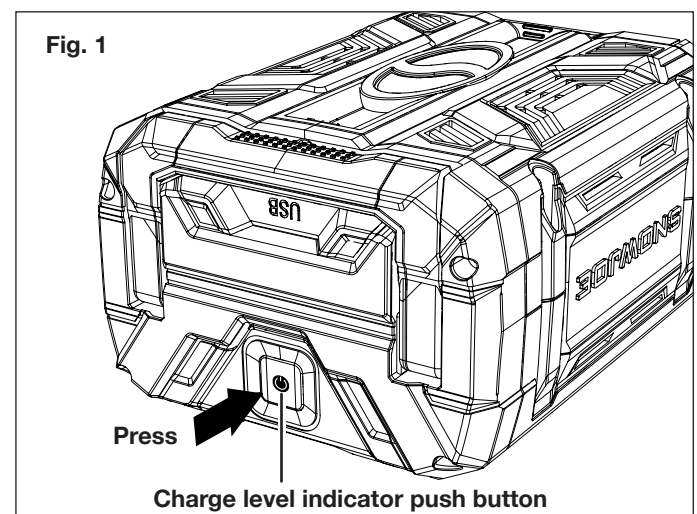
This equipment is powered by two iON100V-5AMP lithium-ion batteries. The battery packs are completely closed and maintenance free.

NOTE

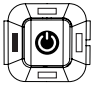

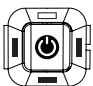
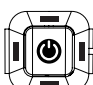
The snow blower can only be powered by two 100 V 5.0 Ah batteries (included). Do not use batteries with lower capacity, which will be overheated easily due to the high working current of this machine.

Battery Charge Level Indicator

The battery packs are equipped with a push button for checking the charge level. Simply press the push button to read off the battery charge level from the LEDs of the battery indicator (Fig. 1):



- All 4 level monitoring LEDs are lit: Battery charge level is high.
- 3 level monitoring LEDs are lit: Battery charge level is decreasing.
- 2 level monitoring LEDs are lit: Battery charge level is decreasing. Stop work as soon as possible.
- 1 level monitoring LED is lit: Battery is flat. Stop work IMMEDIATELY and charge the battery. Otherwise the battery's service life will be greatly shortened.

Lights	Light Indicators
	The battery is at 20% capacity and requires charging
	The battery is at 50% capacity and requires charging soon
	The battery is at 70% capacity
	The battery is at full capacity

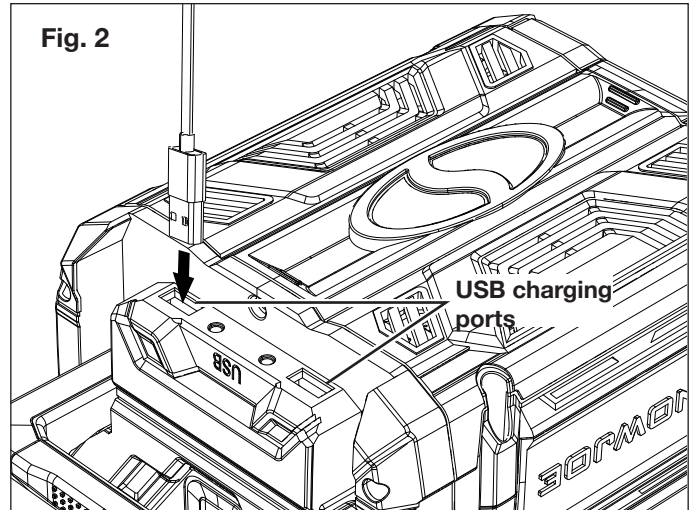
NOTE: If the charge level button does not appear to be working, place the battery pack on the charger and charge as needed.

NOTE: Immediately after using the battery pack, the charge level button may display a lower charge than it will if checked a few minutes later. The battery cells “recover” some of their charge after resting.

USB Charging Port

The iON100V-5AMP lithium-iON battery is equipped with 2 USB charging ports, which can provide 5 V power for most smart phones, tablets, wearables and other USB devices.

To charge with the battery, connect a USB cable that came with your selected electronic device to one of the USB ports under the handle of the iON100V-5AMP battery pack and to your device. The charging process will start immediately (Fig. 2).

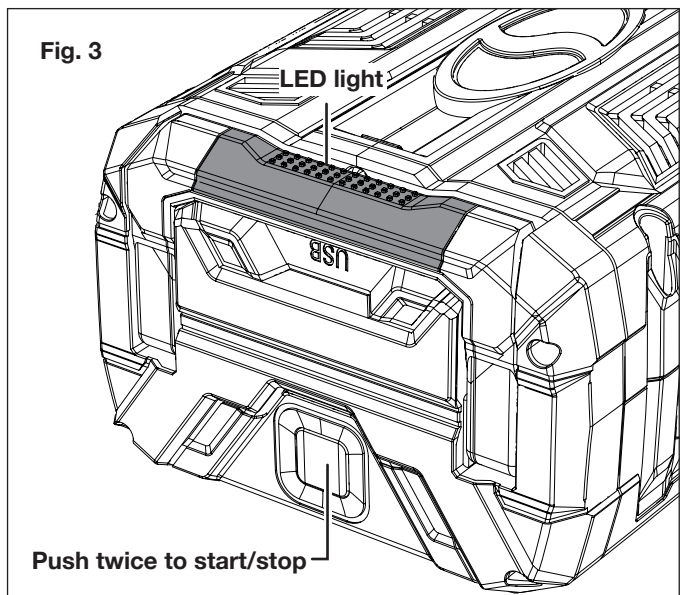


NOTE: If you experience any issues with charging your particular device, ensure that the battery pack is fully charged.

⚠ WARNING! Make sure the battery's USB ports are not contaminated with lint or other debris. Use a canned-air type of product periodically to ensure that the port openings are clear.

LED light

The iON100V-5AMP battery is equipped with a 0.35 watt LED light located on the handle, which is good for camping and emergency illumination. To turn on the LED light, open the carry handle, and press the battery push button twice in a row. To turn off the LED light, press the battery push button twice again (Fig. 3).



Charger Operation

⚠️ WARNING! Charge only the iON100V-5AMP lithium-ion battery packs in compatible iON100V-RCH battery charger. Other types of batteries may cause personal injury and damage.

To reduce the risk of electric shock, do not allow water to flow into the charger's AC/DC plug.

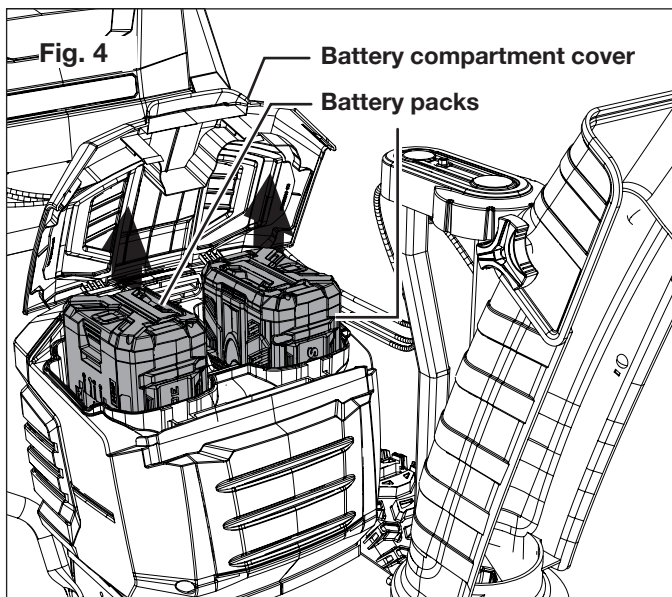
When to Charge the iON100V-5AMP Lithium-Ion Batteries

NOTE: The iON100V-5AMP lithium-ion battery packs do not develop a "memory" when charged after only a partial discharge. Therefore, it is not necessary to run down the battery packs before charging.

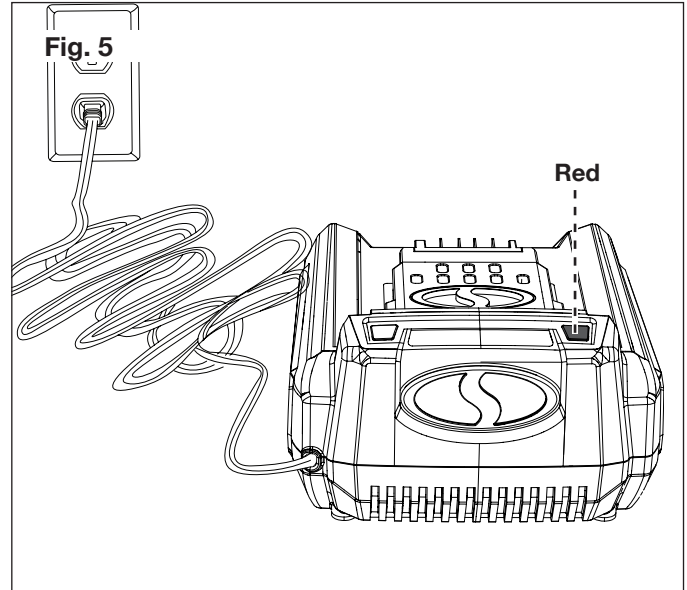
- Use the battery charge indicator lights to determine when to charge your iON100V-5AMP lithium-ion battery packs.
- You can "top-off" your battery packs' charge before starting a big job or after a long day of use.

Charging the Battery Packs

1. Flip open the battery compartment cover, push the battery releasing buttons to release the battery packs. Pull the batteries out of the equipment (Fig. 4).

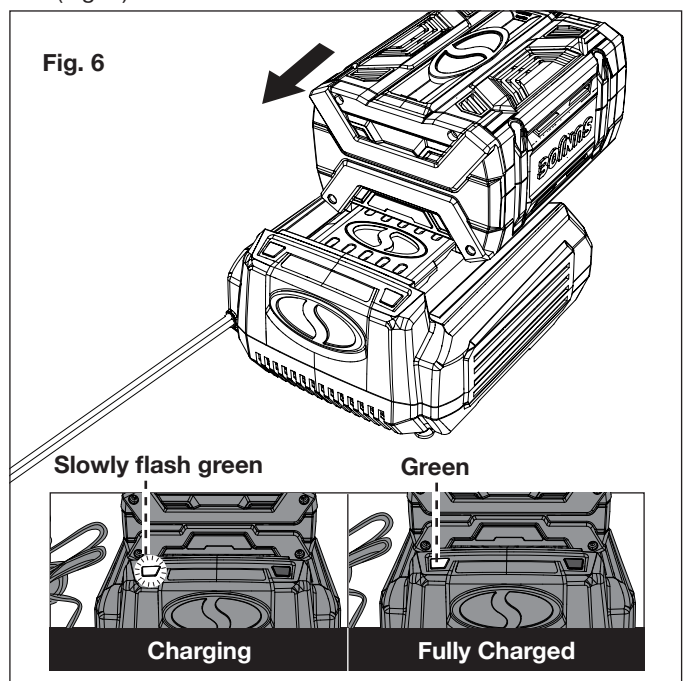


2. Check that the mains voltage is the same as that marked on the rating plate of the battery charger. Then, insert the charger's plug into the electrical wall outlet. When you plug in the charger, the red light will illuminate steadily (Fig. 5).

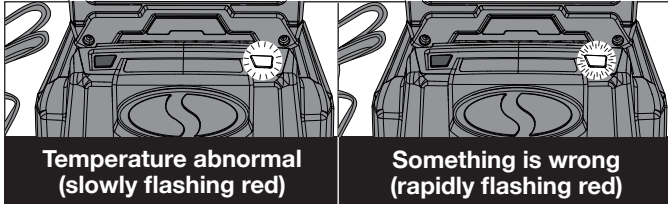


⚠️ CAUTION! Charger iON100V-RCH is rated for 100 – 120 volt AC only. DO NOT plug the charger into any outlet that will provide power with a higher voltage. Over voltage charging will be harmful to both the battery and charger, and may cause the charger to burn out.

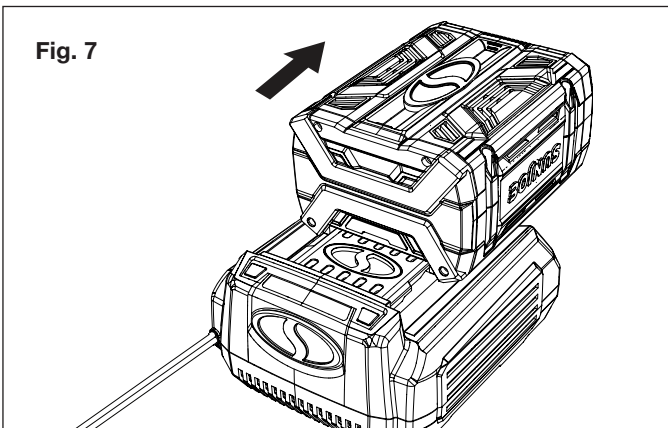
3. Place one of the battery packs into the charger by sliding the pack as shown until it clicks into the position. When the battery is inserted properly, the green light will slowly flash to indicate that the battery is charging. The red light will turn off. You will also hear a fan sound (Fig. 6).
4. When the green light stays on, the battery is fully charged (Fig. 6).



NOTE: If the green light is off while the red light flashes slowly, this indicates a temperature abnormality (i.e. that the battery pack is too hot). If the green light is off while the red light flashes rapidly, this indicates there's something wrong with the charger or the battery. Wait for a while and try to reinsert the battery into the charger. If the situation still persists, contact Snow Joe® + Sun Joe® customer service at 1-866-SNOWJOE (1-866-766-9563).



5. A fully discharged iON100V-5AMP battery pack with an internal temperature in the normal range will fully charge in 1 hour 40 minutes (between 32°F/0°C and 104°F/40°C). Heavily discharged battery packs may take longer to charge completely.
6. When charging is complete, remove the battery from the charger by pulling the battery backward to unlock it from the charger (Fig. 7).



7. Repeat the above operations to charge the other battery.
8. Timely recharging of the batteries will help prolong the batteries' life. You must recharge the battery packs when you notice a drop in the equipment's power.

IMPORTANT! Never allow the battery packs to become fully discharged as this will cause irreversible damage to the batteries.

Charger Light Indicator Table

Use the table below to determine charger light patterns and possible causes. For all other issues, contact Snow Joe® + Sun Joe® customer service center at 1-866-SNOWJOE (1-866-766-9563).

Indication	Possible Cause (Solution)
<ul style="list-style-type: none"> • Red Light – Steady • Green Light – Off 	<ul style="list-style-type: none"> • No load charging – There's no battery inserted in the charger.
<ul style="list-style-type: none"> • Red Light – Off • Green Light – Slowly flashes 	<ul style="list-style-type: none"> • Normal charging – The battery is being charged.
<ul style="list-style-type: none"> • Red Light – Off • Green Light – Steady 	<ul style="list-style-type: none"> • Fully charged – The battery is fully charged and the charging process is finished.
<ul style="list-style-type: none"> • Red Light – Off • Green Light – Rapidly flashes 	<ul style="list-style-type: none"> • Discharged – The battery is heavily discharged. It may take longer time for charging.
<ul style="list-style-type: none"> • Red Light – Slowly flashes • Green Light – Off 	<ul style="list-style-type: none"> • Temperature abnormal – Charging process will start when battery returns to normal temperature.
<ul style="list-style-type: none"> • Red Light – Rapidly flashes • Green Light – Off 	<ul style="list-style-type: none"> • Over current charging – The current coming through the charger is greater than what the charger can support. Stop charging as soon as possible. • Abnormal performance – Something is wrong with the battery or the charger. Contact Snow Joe® + Sun Joe® customer service at 1-866-SNOWJOE (1-866-766-9563).

Assembly

⚠️ WARNING! To avoid serious personal injury, read and understand all safety instructions provided.

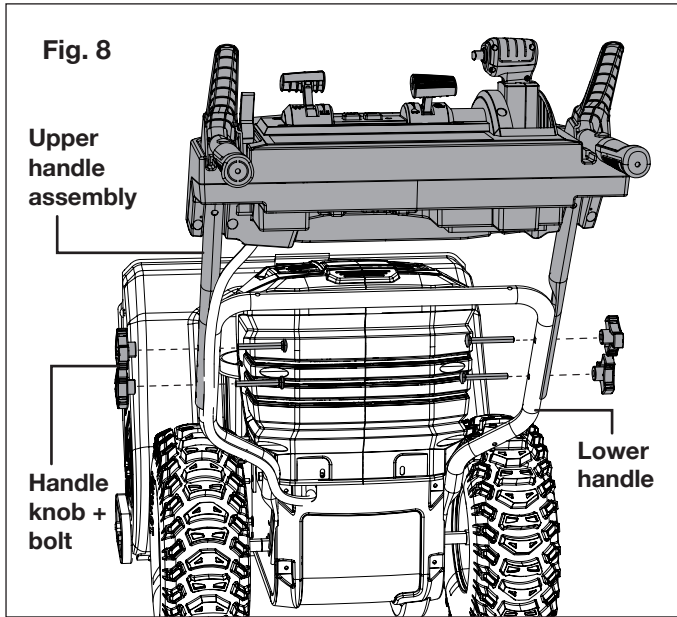
⚠️ WARNING! Unpacking and assembly should be completed on a flat and stable surface, with adequate space for moving the machine and its packaging.

Tools and supplies required:

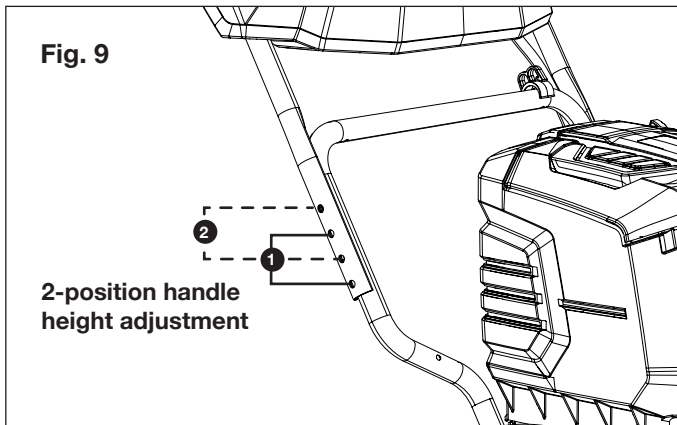
- Open end wrench (included)
- Tire gauge

Assembling the Handles

1. Slightly spread the upper handle assembly down over the lower handle until it fit in the position (Fig. 8).

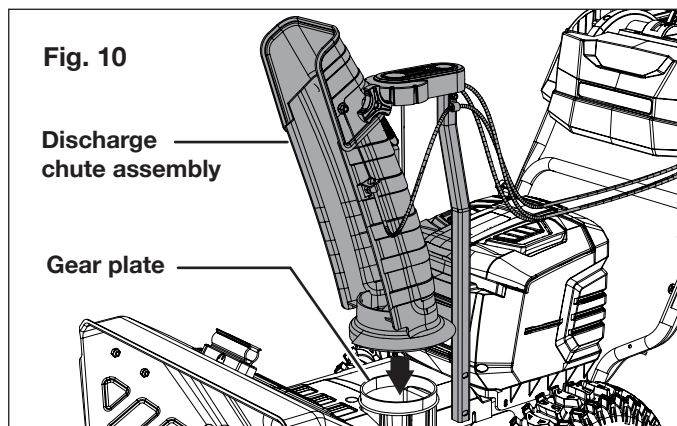


2. Adjust upper handle assembly to the optimal position by aligning the double bolt holes at the desired height. Secure the connection using the 4 handle knobs and bolts, and tighten on each side (Fig. 9).

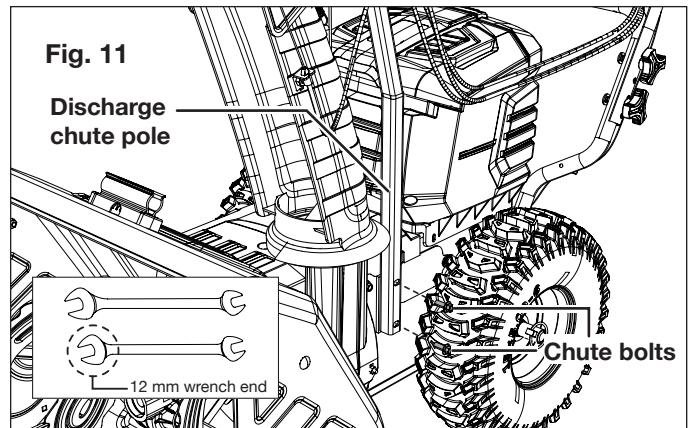


Discharge Chute Assembly

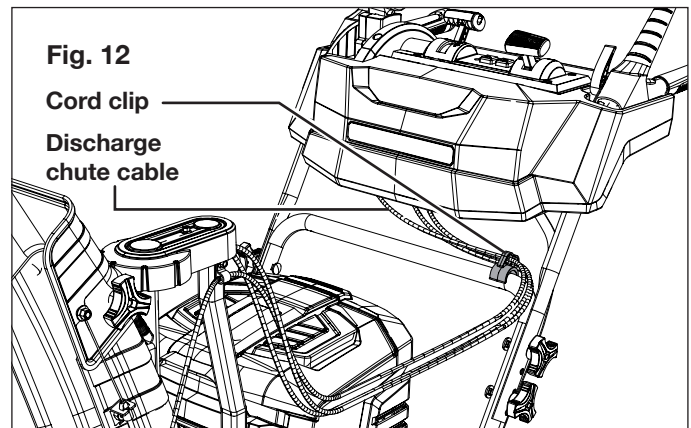
1. Place the discharge chute assembly onto the gear plate, and push down until the chute is flush and flat against the housing (Fig. 10).



2. With the holes on the discharge chute pole aligned with the holes on the housing, use the 12 mm open end wrench to secure the 2 chute bolts with the discharge chute assembly (Fig. 11).



3. Clip the cord clip onto the lower handle frame, insert the discharge chute cable into the cord clip (Fig. 12).

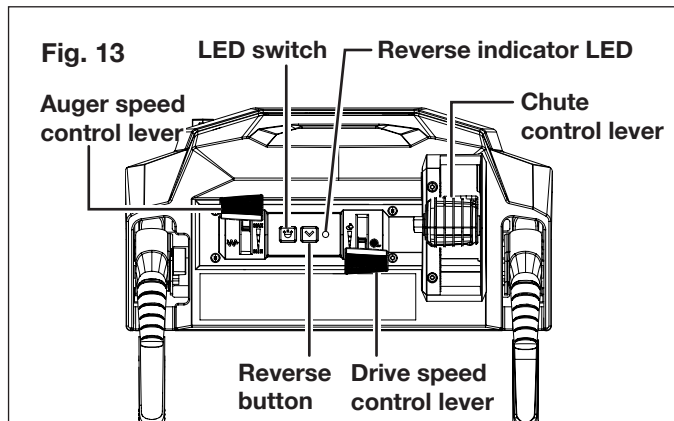




Controls + Features

⚠ WARNING! AVOID INJURY. Read and understand the entire safety section before proceeding.

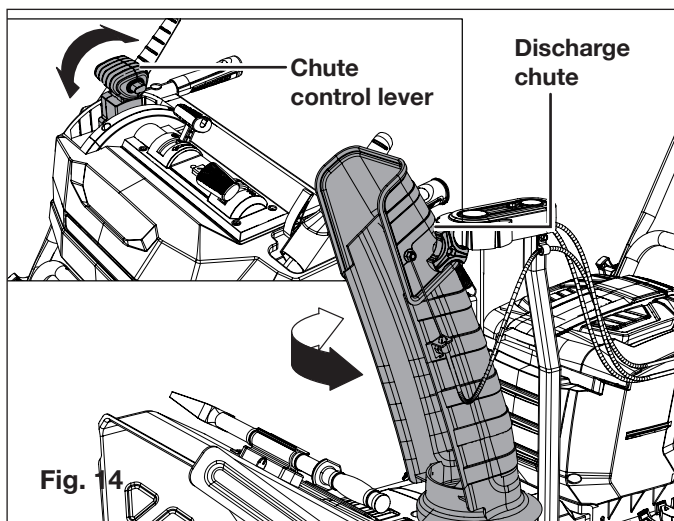
Snow blower controls and features are described below and illustrated in Fig. 13.

Control Panel (Fig. 13)

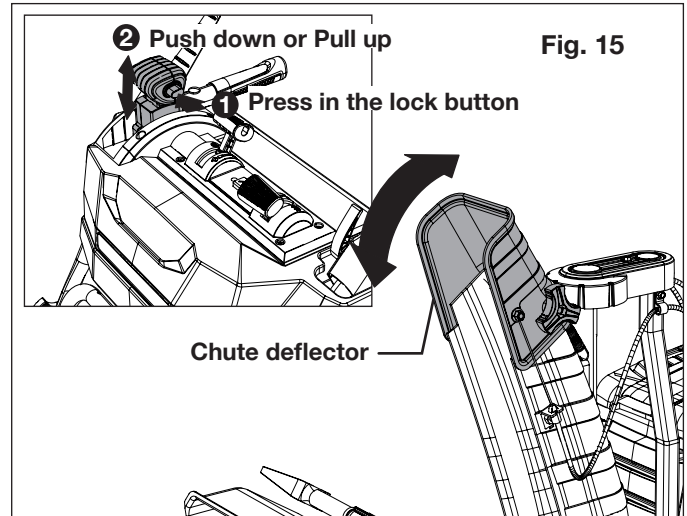


- 1. Auger speed control lever** – The auger rotation speed can be increased from 116 rpm to 143 rpm by pushing the auger speed control lever forward.
- 2. LED switch** – Press  to utilize the LED lights located on the front panel for nighttime snow removal.
- 3. Reverse button** – Press  reverse button to enter the snow blower in reverse mode. The reverse indicator LED will light up to indicate the reverse mode is activated.
- 4. Drive speed control lever** – Use the drive speed control lever to control the marching speed of the machine. When machine is marching, push the lever forward to increase the speed, pull it back to reduce the speed.
- 5. Chute control lever** – The chute control lever can be used to adjust the chute direction up to 180 degree, as well as to lower/raise the chute deflector.

Adjust the discharge chute direction by pulling backwards or pushing forwards the chute control lever until the chute has rotated into the desired position (Fig. 14).



To adjust the chute deflector, keep pressing the discharge chute lock button and at the same time push down or raise up the chute control lever (Fig. 15).



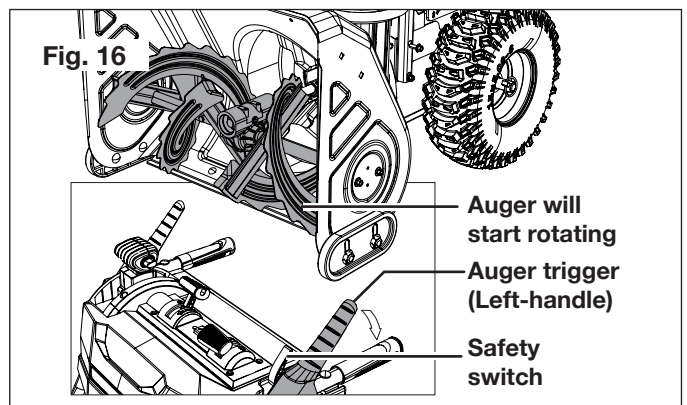
NOTE: ALWAYS position discharge chute deflector at a safe angle before engaging the auger.

DO NOT throw snow any higher than necessary.

⚠ WARNING! NEVER direct the snow discharge chute at the operator, at bystanders, at vehicles, or at nearby windows. The discharged snow and foreign objects accidentally picked up and thrown by the snow blower can cause serious damage and personal injury.

Always orient the discharge chute in the opposite direction from where the operator, bystanders, surrounding vehicles, or windows are located.

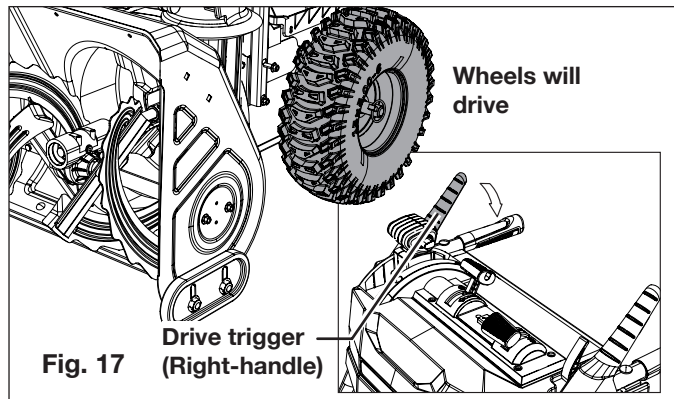
Auger Trigger (Left-Handle) (Fig. 16)



1. Flip up the safety switch, then squeeze the auger trigger against the left-handle to engage the auger and start snow throwing action.
2. Release auger trigger to stop.

Drive Trigger (Right-Handle) (Fig. 17)

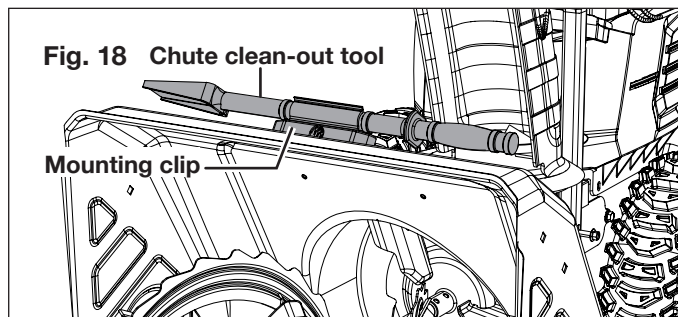
Squeeze the drive trigger against the right-handle to engage the wheel drive for propelling unit. Forward speed will vary according to snow depth and moisture content.



NOTE: When travelling to or from the area to be cleared, press down on the handle grips enough to raise the front of the unit slightly off the surface. Engage the drive trigger without engaging the auger trigger.

Chute Clean-Out Tool

The chute clean-out tool is fastened to the top of the auger housing with a mounting clip (Fig. 18).



⚠ WARNING! Hand contact with the rotating impeller is the most common cause of injury associated with snow blowers. Never use your hands to clear a clogged discharge chute. Shut off motor and remain behind handles until all moving parts have stopped before unclogging.

To clear the discharge chute:

1. Release both the auger trigger and the drive trigger.
2. Wait 10 seconds and make sure impeller blades have stopped rotating.
3. Remove the clean-out tool from the mounting clip which secures it to the top of the auger housing.
4. Use the shovel-shaped end of the clean-out tool to dislodge and scoop any snow and ice which has formed in and near the discharge chute.
5. Refasten the clean-out tool to mounting clip on the top of the auger housing, flip up the safety switch and restart the snow blower's motor.

While standing in the operator's position (behind the snow blower), engage the auger trigger for a few seconds to clear any remaining snow and ice from the discharge chute.

Scraper Blade

The scraper blade allows the back of the housing to keep better contact with the surface being cleared. It also prevents damage to the housing from normal use.

IMPORTANT! DO NOT allow scraper blade to wear too far or auger/impeller housing will become damaged.

Skid Shoes

The skid shoes control the distance between the scraper blade and the ground. Adjust skid shoes equally to keep blade level with the ground.

Position the skid shoes based on surface conditions. Adjust upward for hard-packed snow. Adjust downward when operating on gravel or crushed rock surfaces.

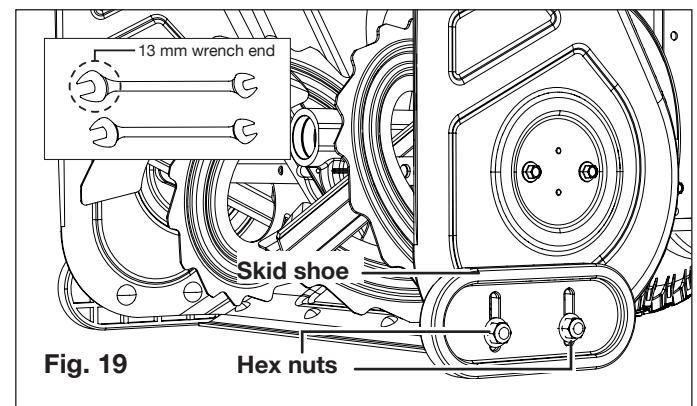
⚠ WARNING! It is not recommended that you operate this snow blower on gravel as it can easily pick up and throw loose gravel, causing personal injury or damage to the snow blower and surrounding property.

1. For close snow removal on a smooth surface, raise skid shoes higher on the auger housing. Allow 1/8 in. (3 mm) between scraper blade and hard, smooth surface(s).
2. Use a middle or lower position when the area to be cleared is uneven, such as a gravel driveway. Allow 1-1/4 in. (30 mm) between scraper blade and uneven or gravel surfaces.

NOTE: If you choose to operate the snow blower on a gravel surface, keep the skid shoes in position for maximum clearance between the ground and the scraper blade.

To adjust the skid shoes:

3. Use the 13 mm open end wrench to loosen the 4 hex nuts (2 on each side). Move skid shoes to desired position (Fig. 19).



4. Make certain the entire bottom surface of skid shoes is against the ground to avoid uneven wear on the skid shoes.

- Retighten hex nuts securely.

Pre-Start

- Charge batteries** – See Charger Operation section on page 10.
- Check function of triggers** – If triggers cannot engage or disengage properly, adjust or repair before operation.
- Check Skid Shoes** – Check and adjust skid shoes.

Emergency Stop

Immediately release both triggers to stop unit in an emergency. Wait for all rotating parts to stop before leaving operator's position.

Operation

⚠️ WARNING! Failure to follow instructions could result in personal injury and/or damage to snow blower. DO NOT attempt to start your snow blower at this time. Read entire operator manual first.

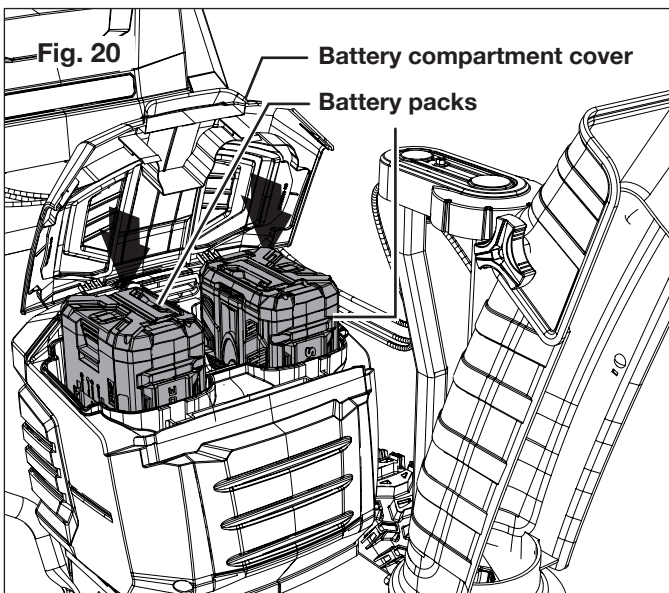
See page 12 for all controls and features.

⚠️ WARNING! Keep the area to be cleared free of stones, toys or other foreign objects that the rotor blades might pick up and throw. Such items could be covered by snow and are easy to overlook, so be sure to conduct a thorough inspection of the area before beginning work.

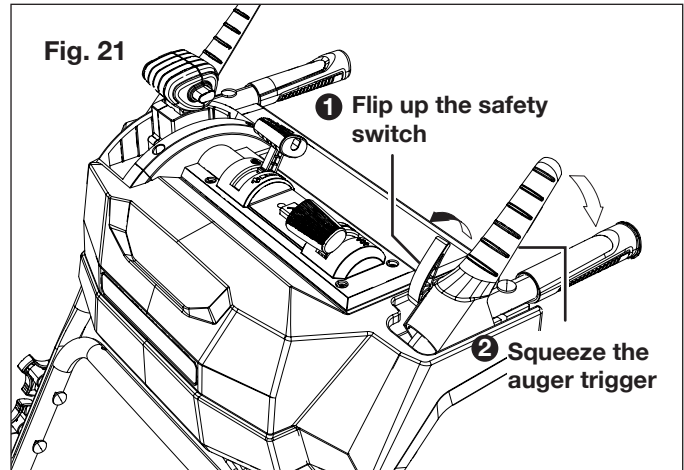
Starting the Machine

IMPORTANT! Make sure both triggers are released before inserting the battery packs.

- Open the battery compartment cover and slide two battery packs down until they both click and lock into position (Fig. 20). Close the cover.

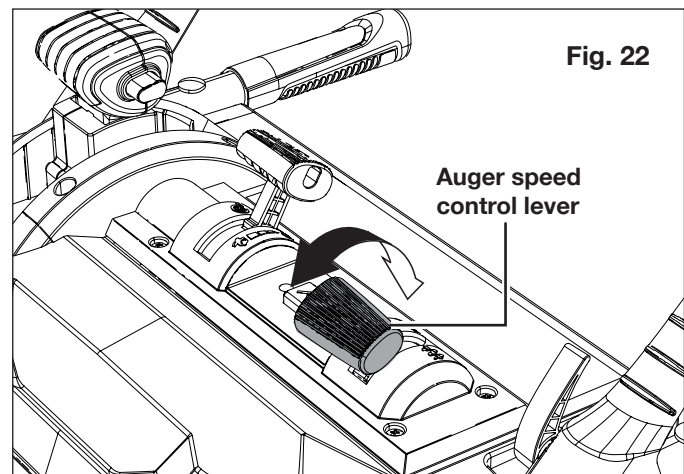


- Flip up the safety switch, then squeeze the auger trigger against the left-handle (Fig. 21). The auger will start rotating and plowing snow.



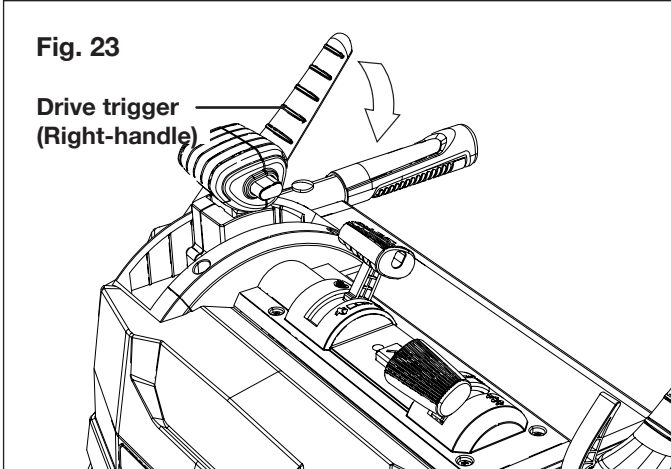
NOTE: Auger trigger should be engaged before drive trigger when throwing snow.

- Use the auger speed control lever to set a comfortable plowing speed (Fig. 22).

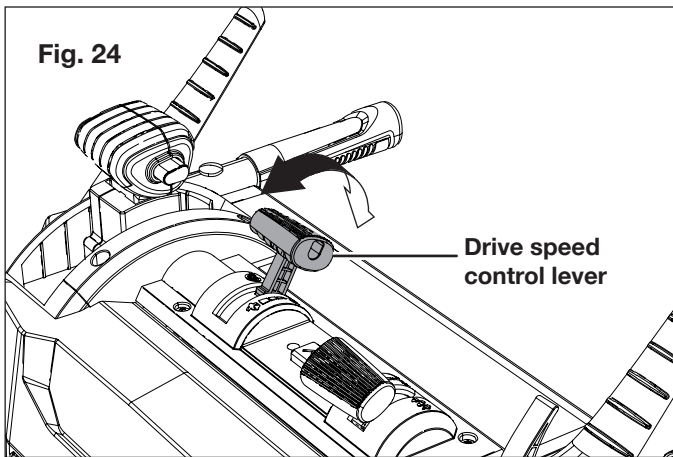


IMPORTANT! DO NOT overload unit capacity by attempting to clear snow at too fast a rate. Use slow speed to clear deep or hard packed snow.

- Squeeze drive trigger against the right-handle and the snow blower will move (Fig. 23). When the blower is moving steadily, you can release the drive trigger while keep the auger trigger squeezed to maintain the snow blower's movement. Release the auger trigger and both the drive motion and plow motion will stop.



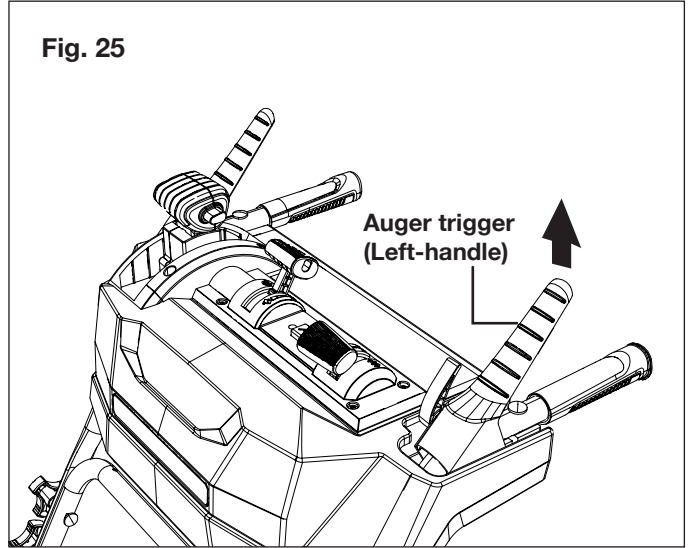
5. Use the drive speed control lever, adjust the speed for a comfortable pace (Fig. 24).



IMPORTANT! Drive speed can be changed without stopping the snow blower.

Stopping the Machine

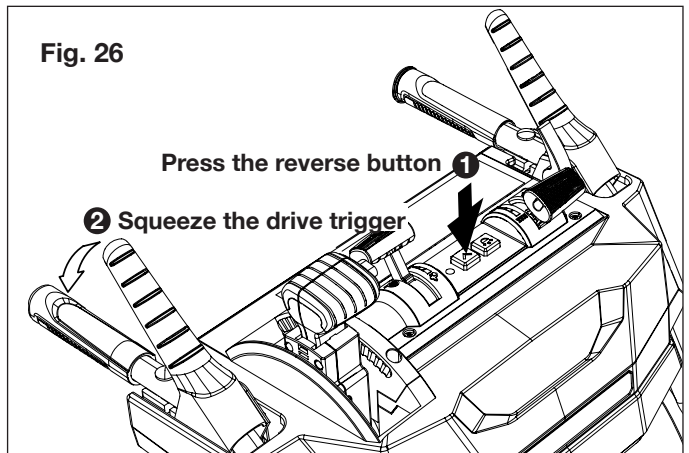
1. Release the auger trigger. Drive motor and auger will both stop (Fig. 25).
2. Wait for all moving parts to come to a complete stop.
3. Remove the batteries.



Reverse Traveling

Be careful when moving backward with the snow blower. Always look down and behind before backing up. For safety reasons, the machine cannot throw snow when moving backward. When auger trigger is activated during reverse travelling, the machine will exit the reverse mode and stop.

1. Before backing up, stop the machine by release both triggers and wait until all movement come to a complete stop.
2. Press the reverse button, the reverse indicator LED will light up to indicate that the machine is in reverse mode (Fig. 26).
3. Squeeze drive trigger against the right-handle and the snow blower will move backward (Fig. 26).



4. During backing up, pay attention not to squeeze the auger trigger. The snow blower will stop if auger is triggered during back up. If this happens, release both triggers and press the reverse button again to restart backing up.

NOTE: When the reverse button is pressed, the reverse mode is activated for 15 seconds. If the drive trigger is not squeezed within 15 seconds, the snow blower will exit the reverse mode.

Operating Tips

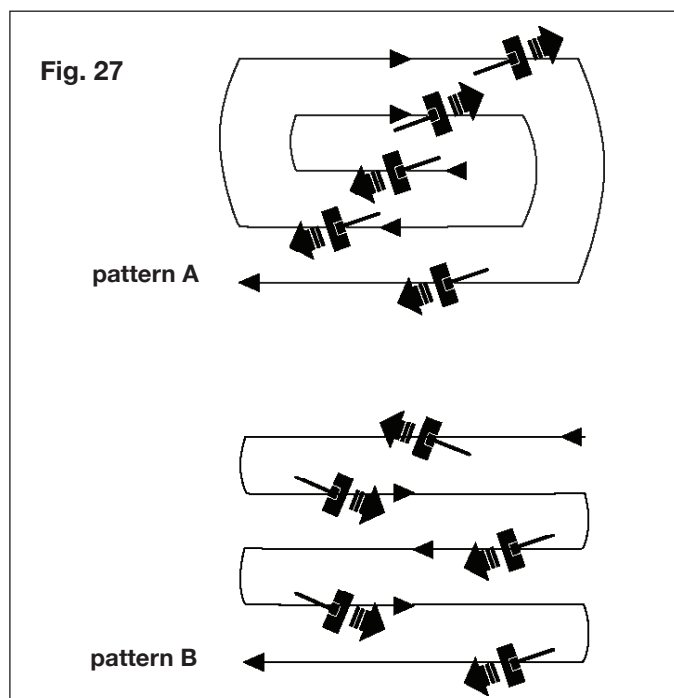
⚠️ WARNING! Foreign objects, such as rocks, broken glass, nails, wire, or string, can be picked up and thrown by the snow blower, causing serious personal injury. Remove all foreign objects from the area to be plowed before operating the snow blower.

Snow is best removed as soon as possible after snow fall.

1. Keep the area of operation free of foreign objects that can become thrown by the rotor blades. Perform a thorough inspection of the area since some objects may be hidden from view by surrounding snow. If the snow blower hits an obstruction or picks up a foreign object during use, stop the snow blower, remove the batteries, remove the obstruction, and inspect the unit for damage. Repair or replace any damaged part before restarting and operating the unit.
2. Keep children, pets, and bystanders away from the area of operation. Be aware that the normal noise of the machine when turned on may make it difficult for you to hear approaching people.
3. For larger areas, a definite pattern of operation is required to thoroughly clean an area of snow. These patterns will avoid throwing snow in unwanted places, as well as eliminate the need for a second removal of snow (Fig. 27).

Pattern A: Throw the snow to the right or left side where it is possible. For areas such as a long driveway, it is advantageous to start in the middle. Plow from one end to the other, throwing snow to both sides.

Pattern B: If the snow can only be thrown to one side of the area to be cleared, start on the opposite side.



4. Note the wind direction. If possible, move in the same direction as the wind so that the snow is not thrown against the wind (and thus back into your face and on the just cleared path).
5. Do not push the snow blower with excessive force. Do not exceed the unit's intake or throw rate.
6. Some parts of the snow blower may freeze under extreme temperature conditions. Do not attempt to operate the snow blower with frozen parts. If the parts freeze while the snow blower is in use, stop the snow blower, remove the batteries, and inspect for frozen parts. Free all parts before restarting or operating the snow blower. Never force controls that have frozen.

Maintenance

To order genuine replacement parts or accessories for the Snow Joe® iON100V-24SB cordless snow blower, please visit snowjoe.com or contact the Snow Joe® + Sun Joe® customer service center at 1-866-SNOWJOE (1-866-766-9563).

⚠️ WARNING! Make sure to turn off the snow blower and remove the batteries before performing any maintenance task on your snow blower.

General Maintenance Tips

1. Do not attempt to repair the machine unless you have the proper tools and instructions for disassembly and repair of the machine.
2. Check bolts and screws at frequent intervals for proper tightness to ensure that the equipment is in safe working condition.
3. After each snow removal session, run the snow blower for a few minutes to prevent the collector/impeller from freezing. Shut off the motor, wait for all revolving parts to stop completely, remove the batteries and wipe residual ice and snow off the unit.

Proper Care for Battery + Charger

⚠️ WARNING! To reduce the risk of injury, always unplug the charger and remove the battery pack from the charger before performing any maintenance task. Never disassemble the battery packs or charger. Contact your Snow Joe® + Sun Joe® dealer or the Snow Joe® + Sun Joe® customer service center for ALL repairs.

1. To reduce the risk of injury and damage, never immerse your battery packs or charger in liquid or allow any liquid to flow inside these components.
2. Clean out dust and debris from charger vents and electrical contacts by blowing with compressed air.
3. Use only mild soap on a damp cloth to clean the battery packs and charger, keeping away from all electrical contacts. Certain cleaning agents and solvents are harmful to plastics and other insulated parts. Some of these include gasoline, turpentine, lacquer thinner, paint thinner, chlorinated cleaning solvents, ammonia and

household detergents containing ammonia. Never use flammable or combustible solvents around battery packs, battery chargers or tools.

- The iON100V-RCH lithium-ion battery charger has no serviceable parts.

Check Tire Pressure

⚠️ WARNING! Under any circumstance do not exceed manufacturer's recommended PSI. Equal tire pressure should be maintained at all times for performance purposes. Excessive pressure may cause tire/rim assembly to burst with force sufficient to cause serious injury. Refer to sidewall of tire for recommended pressure.

The tires are over-inflated for shipping purposes. Check the tire pressure before operating the snow blower and deflate (or inflate) the tires as necessary.

**Manufacturer's
Recommended
Tire Pressure**

20 PSI

⚠️ CAUTION! Avoid injury. Explosive separation of tire and rim parts is possible when they are serviced incorrectly:

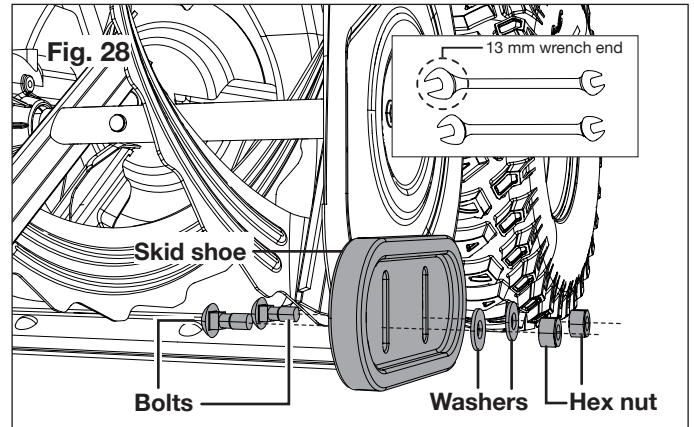
- Do not attempt to mount a tire without proper equipment and experience to perform the job.
- Do not inflate the tires above the recommended pressure.
- Do not weld or heat a wheel and tire assembly. Heat can cause an increase in air pressure resulting in an explosion. Welding can structurally weaken or deform the wheel.
- Do not stand in front or over the tire assembly when inflating. Use a clip-on chuck and extension hose long enough to allow you to stand to one side.

Replacing Skid Shoes

The skid shoes on the bottom of the snow blower are subject to wear. They should be checked periodically and replaced when necessary.

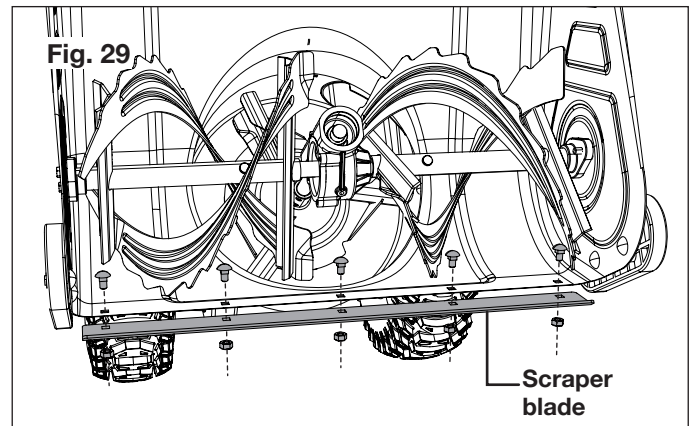
To replace skid shoes:

- Position unit on a hard, flat, smooth level surface.
- Using the 13 mm open end wrench, remove the 4 hex nuts (2 on each side), washers and bolts which secure the skid shoes to the snow blower (Fig. 28).



- Install the new skid shoes by tightening the 4 sets of hex nuts, washers and bolts on both sides, but leave the skid shoes free to move for height adjustment.
 - Slide skid shoes to flat surface. Allow 1/8 in. (3 mm) between scraper blade and hard smooth surface. Allow 1-1/4 in. (30 mm) between scraper blade and uneven or gravel surfaces.
- NOTE:** Keep housing level by adjusting skid shoes equally.
- Retighten the 4 sets of hex nuts and bolts on both sides.

Replacing Scraper Blade

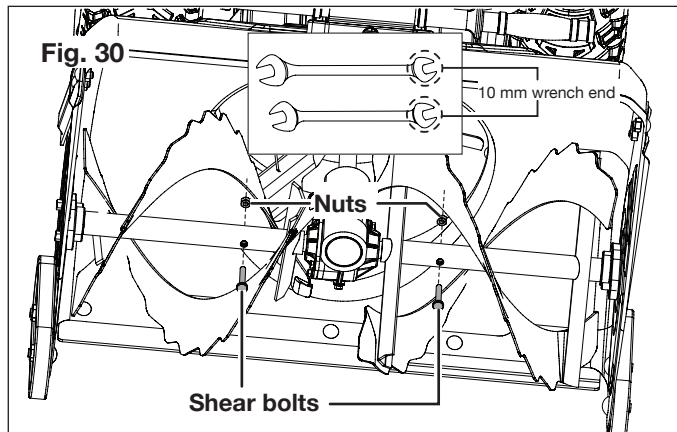


IMPORTANT! Damage to auger/impeller housing will result if the scraper blade wears down too far.

To replace scraper blade:

- Position the unit on a hard, flat, smooth level surface.
- Detach the worn scraper blade from the snow blower by removing the 5 hex nuts and bolts that hold it in place (Fig. 29).
- Install the new scraper blade and fasten it securely to the snow blower with 5 hex nuts and bolts.

Replacing Shear Bolts



The auger is secured to the auger shaft with shear bolts and nuts. If the auger should strike a foreign object or ice jam, the snow blower is designed so that the bolts may shear. If the auger will not turn, check to see if the bolts have sheared.

⚠ CAUTION! Use only manufacturer's recommended shear bolts for replacement. Use of any other type of shear bolts may result in severe damage to unit and may void the warranty. Call the Snow Joe® + Sun Joe® customer service center at 1-866-SNOWJOE (1-866-766-9563) for assistance.

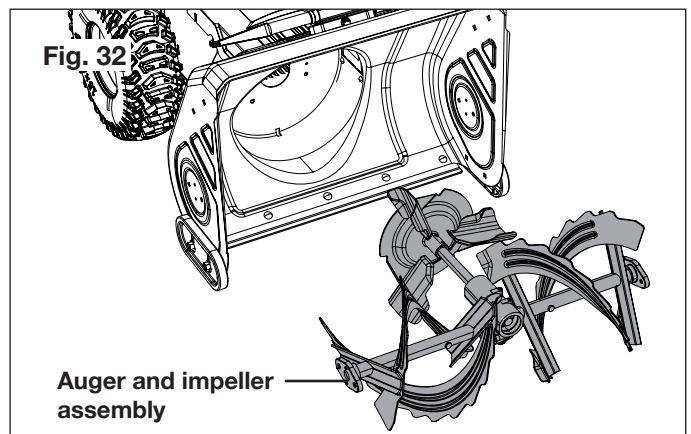
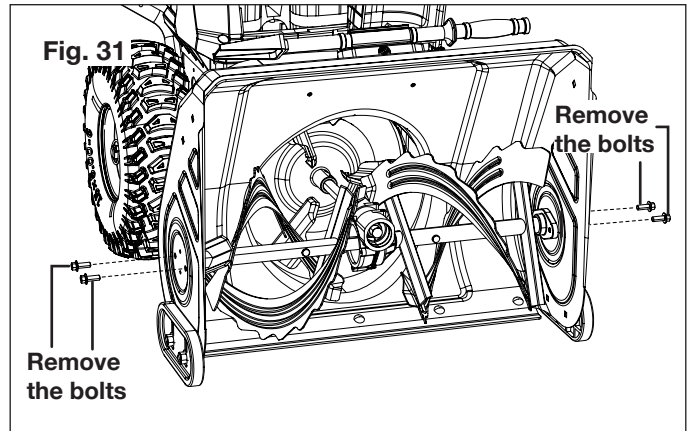
Occasionally a foreign object may enter the auger/impeller housing and jam the auger, breaking the shear bolts which secure the auger to the shaft. This allows the auger to turn freely on the shaft which may help prevent damage to the gearcase and its components.

⚠ WARNING! Always turn off the snow blower's motor and remove the batteries prior to replacing shear bolts.

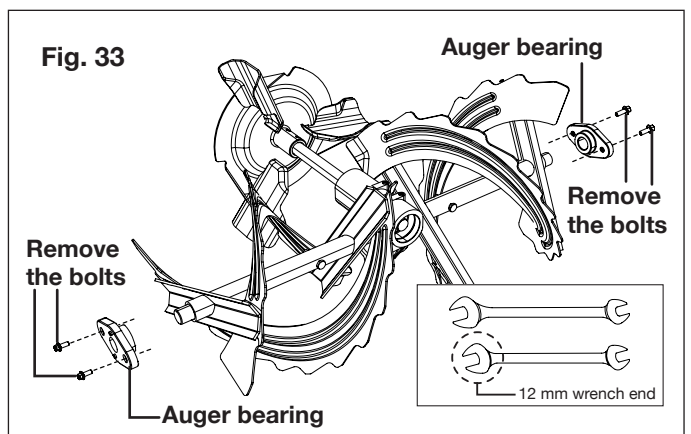
1. Align shear bolt holes in auger with shear bolt holes in the shaft.
2. Drive shear bolt through hole. If shear bolt was broken this will drive remaining part from shaft (Fig. 30).
3. Secure shear bolts with the nuts, with the 10 mm end of either open end wrench (Fig. 30).

Replacing Auger Blades

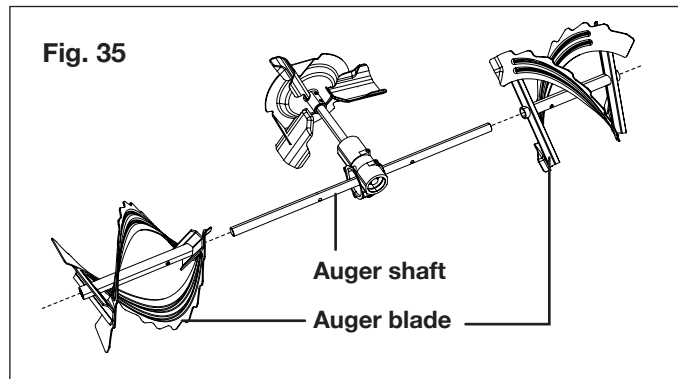
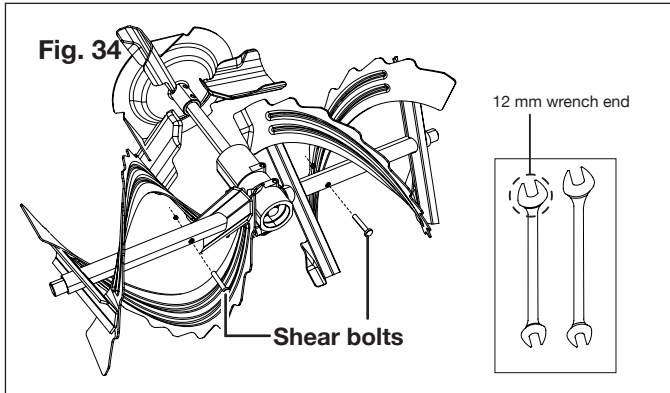
1. Disassemble the auger and impeller assembly by removing the bolts from the sides of the auger housing with the 12 mm open end wrench (Fig. 31), and pull out the auger and impeller assembly (Fig. 32).



2. Using the 12 mm open end wrench, remove the bolts that used to secure the auger bearings, then remove the auger bearings on both sides (Fig. 33).



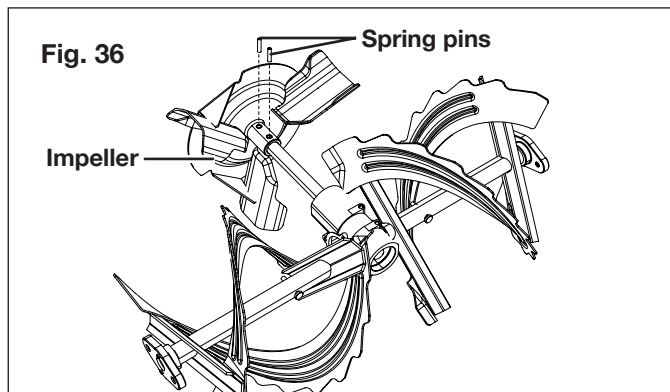
3. Remove 2 set of shear bolts and nuts from the auger blades with the 12 mm end of either open end wrench. The auger blades should be able to be removed from the auger shaft (Figs. 34 – 35).



4. Install the replacement auger blades by following the above steps in reverse order.

Replacing Impeller

1. To remove the impeller, disassemble the auger and impeller assembly by removing the bolts from the sides of the auger housing with the 12 mm open end wrench (Fig. 31), and pull out the auger and impeller assembly (Fig. 32).
2. Disassemble the worn impeller from the impeller shaft by removing the 2 spring pins (Fig. 36).



3. Install the replacement impeller by following the above steps in reverse order.

Lubrication

Auger Shaft

At least once a season, remove the shear bolts from the auger shafts. Spray lubricant inside the shaft and around the bearings at each end of the shaft.

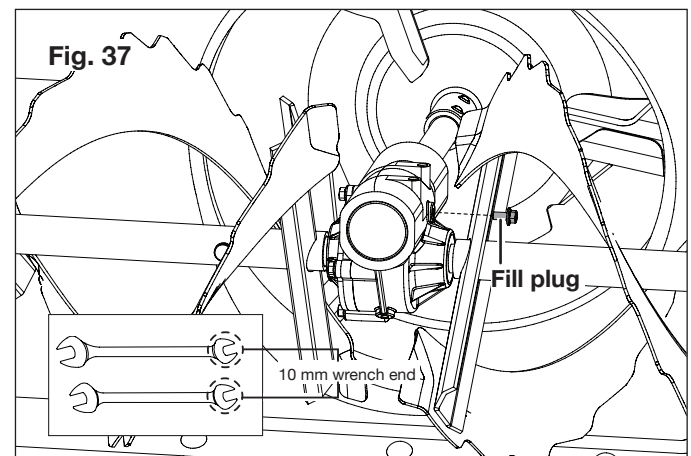
Auger Gearcase

Gearcases are filled to the correct level at the factory. Within first 150 hours of running, no additional lubricant should be required unless there is evidence of leakage.

Any work on the inside structure of auger requires specific experience and special tools. For safety purposes, we recommend you contact an authorized Snow Joe® + Sun Joe® dealer or call the Snow Joe® + Sun Joe® customer service center at 1-866-SNOWJOE (1-866-766-9563).

To fill the gearcase, follow the instruction below every 150 to 200 hours operation:

1. Remove the fill plug with the 10 mm end of either open end wrench. Inject some general low-temperature synthetic grease to filler hole. Replace plug. (Fig. 37).



IMPORTANT! Wipe each fitting clean before and after lubrication. Do not wipe gearcase filler plug; wiping the gearcase filler plug may remove thread sealant and cause leaks.

Storage

1. Examine the cordless snow blower thoroughly for worn, loose or damaged parts. Should you need to repair or replace a part, contact an authorized Snow Joe® + Sun Joe® dealer or call the Snow Joe® + Sun Joe® customer service center at 1-866-SNOWJOE (1-866-766-9563) for assistance.
2. Clean the snow blower before storing or transporting. Be sure to secure the unit while transporting.
3. Remove the battery packs from the cordless snow blower before storing.
4. Store the cordless snow blower indoors in a locked, dry place out of the reach of children to prevent unauthorized use or damage.

Battery + Charger Off-Season Storage

1. Do not expose your battery packs or charger to water, rain or allow them to get wet. This could permanently damage the charger and the battery packs. Do not use oil or solvents to clean or lubricate your battery packs as the plastic casing can become brittle and crack, causing a serious risk of injury.
2. Store the battery packs and charger at room temperature away from moisture. Do not store in damp locations where corrosion of terminals may occur. As with other battery pack types, permanent capacity loss can result if the pack is stored for long periods of time at high temperatures (over 120°F/49°C).
3. iON100V SERIES battery packs maintain their charge during storage longer than other battery pack types. As a general practice, it is best to unplug the battery charger and remove the battery pack when they are not in use. Recharge the battery packs every 6 months to 50% capacity (2 lights on) during off-season storage to maintain optimal battery performance.

Battery Caution + Disposal Information

Always dispose of your battery packs according to federal, state, and local regulations. Contact a recycling agency in your area for recycling locations.

⚠ CAUTION! Even discharged battery packs contain some energy. Before disposing, use electrical tape to cover the terminals to prevent the battery pack from shorting, which could cause a fire or explosion.

⚠ WARNING! To reduce the risk of injury or explosion, never burn or incinerate a battery pack even if it is damaged, dead or completely discharged. When burned, toxic fumes and materials are emitted into the surrounding atmosphere.

1. Batteries vary according to device. Consult your manual for specific information.
2. Install only new batteries of the same type in your product (where applicable).
3. Failure to insert batteries in the correct polarity, as indicated in the battery compartment or manual, may shorten the life of the batteries or cause batteries to leak.
4. Do not mix old and new batteries.
5. Do not mix Alkaline, Standard (Carbon-Zinc) or Rechargeable (Nickel Cadmium, Nickel Metal Hydride, or Lithium-Ion) batteries.
6. Do not dispose of batteries in fire.
7. Batteries should be recycled or disposed of as per state and local guidelines.

Service + Support

If your Snow Joe® iON100V-24SB cordless snow blower requires service or maintenance, please call the Snow Joe® + Sun Joe® customer service center at 1-866-SNOWJOE (1-866-766-9563).

Model + Serial Numbers

When contacting the company, reordering parts or arranging service from an authorized dealer, you will need to provide the model and serial numbers, which can be found on the decal located on the housing of the unit. Copy these numbers into the space provided below.

Record the following numbers from the housing or handle of your new product:	
Model #:	Serial #:
i O N 1 0 0 V - 2 4 S B	

iON100V-RCH

Federal Communications Commission (FCC)

⚠ WARNING! Any changes or modifications to this unit not expressly approved by the party responsible for compliance could void the user's authority to operate the equipment.

Class B device:

NOTE: This equipment has been tested and found to comply with the limits for a Class B digital device, pursuant to part 15 of the FCC Rules.

These limits are designed to provide reasonable protection against harmful interference in a residential installation.

This equipment generates, uses and can radiate radio frequency energy and, if not installed and used in accordance with the instructions, may cause harmful interference to radio communications.


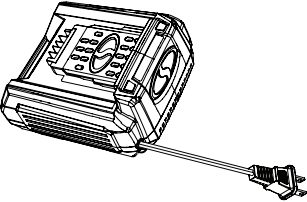
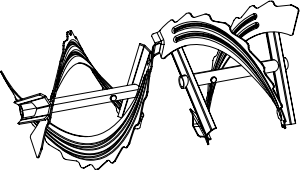
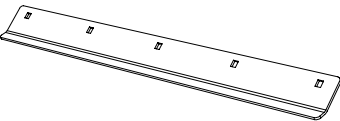
However, there is no guarantee that interference will not occur in a particular installation.

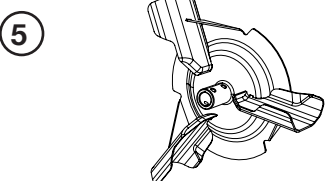
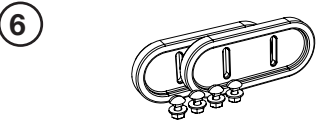
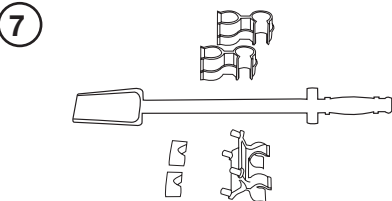
If this equipment does cause harmful interference to radio or television reception, which can be determined by turning the equipment off and on, the user is encouraged to try to correct the interference by one or more of the following measures:

- Reorient or relocate the receiving antenna.
- Increase the separation between the equipment and receiver.
- Connect the equipment into an outlet on a circuit different from that to which the receiver is connected.
- Consult the dealer or an experienced radio/TV technician for help.

Optional Accessories

⚠️ WARNING! ALWAYS use only authorized Snow Joe® + Sun Joe® replacement parts and accessories. NEVER use replacement parts or accessories that are not intended for use with this cordless snow blower. Contact Snow Joe® + Sun Joe® if you are unsure whether it is safe to use a particular replacement part or accessory with your cordless snow blower. The use of any other attachment or accessory can be dangerous and could cause injury or mechanical damage.

Accessories	Item	Model
<p>1</p> 	<p>100 V 5 Ah Lithium-Ion Battery</p> <p>Battery Charge Time Max: 100 min</p> <p>Battery Runtime Max: 47 min with two batteries (Clears up to 3,215 sq ft of 3" snow)</p> <p>NOTE: The snow blower requires two iON100V-5AMP batteries to operate.</p>	<p>iON100V-5AMP</p>
<p>2</p> 	<p>100 V Battery Quick Charger</p>	<p>iON100V-RCH</p>
<p>3</p> 	<p>iON100V-24SB Augers</p>	<p>iON100V-24AUGER</p>
<p>4</p> 	<p>iON100V-24SB Replacement Scraper Blade</p>	<p>iON100V-24SBAR</p>

Accessories	Item	Model
	iON100V-24SB Replacement Impeller	iON100V-24IMPELLER
	iON100V-24SB Replacement Skid Shoes Kit	iON100V-24SK
	Universal Snow Thrower Chute Clean-Out Tool	SJCOT

NOTE: Accessories are subject to change without any obligation on the part of Snow Joe® + Sun Joe® to provide notice of such changes. Accessories can be ordered online at snowjoe.com or via phone by contacting the Snow Joe® + Sun Joe® customer service center at 1-866-SNOWJOE (1-866-766-9563).

NOTES

NOTES



SNOW JOE® + SUN JOE® CUSTOMER PROMISE

ABOVE ALL ELSE, Snow Joe, LLC (“Snow Joe”) is dedicated to you, our customer. We strive to make your experience as pleasant as possible. Unfortunately, there are times when a Snow Joe®, Sun Joe®, or Aqua Joe® product (“Product”) does not work or breaks under normal operating conditions. We think it’s important that you know what you can expect from us. That’s why we have a Limited Warranty (“Warranty”) for our Products.

OUR WARRANTY:

Snow Joe warrants new, genuine, powered and non-powered Products to be free from defects in material or workmanship when used for ordinary household use for a period of two years from the date of purchase by the original, end-user purchaser when purchased from Snow Joe or from one of Snow Joe’s authorized sellers with proof of purchase. Because Snow Joe is unable to control the quality of its Products sold by unauthorized sellers, unless otherwise prohibited by law, this Warranty does not cover Products purchased from unauthorized sellers. If your Product does not work or there’s an issue with a specific part that is covered by the terms of this Warranty, Snow Joe will elect to either (1) send you a free replacement part, (2) replace the Product with a new or comparable product at no charge, or (3) repair the Product. How cool is that!

This Warranty gives you specific legal rights, and you may also have other rights which vary from State to State.

PRODUCT REGISTRATION:

Snow Joe strongly encourages you to register your Product. You can register online at snowjoe.com/register, or by printing and mailing in a registration card available online from our website, or calling our Customer Service Department at **1-866-SNOWJOE (1-866-766-9563)**, or by e-mailing us at help@snowjoe.com. Failure to register your Product will not diminish your warranty rights. However, registering your Product will allow Snow Joe to better serve you with any of your customer service needs.

WHO CAN SEEK LIMITED WARRANTY COVERAGE:

This Warranty is extended by Snow Joe to the original purchaser and original owner of the Product.

WHAT IS NOT COVERED?

This Warranty does not apply if the Product has been used commercially or for non-household or rental applications. This Warranty also does not apply if the Product was purchased from an unauthorized seller. This Warranty also does not cover cosmetic changes that do not affect performance. Wearing parts like belts, augers, chains and tines are not covered under this Warranty, and can be purchased at snowjoe.com or by calling **1-866-SNOWJOE (1-866-766-9563)**.



snowjoe.com